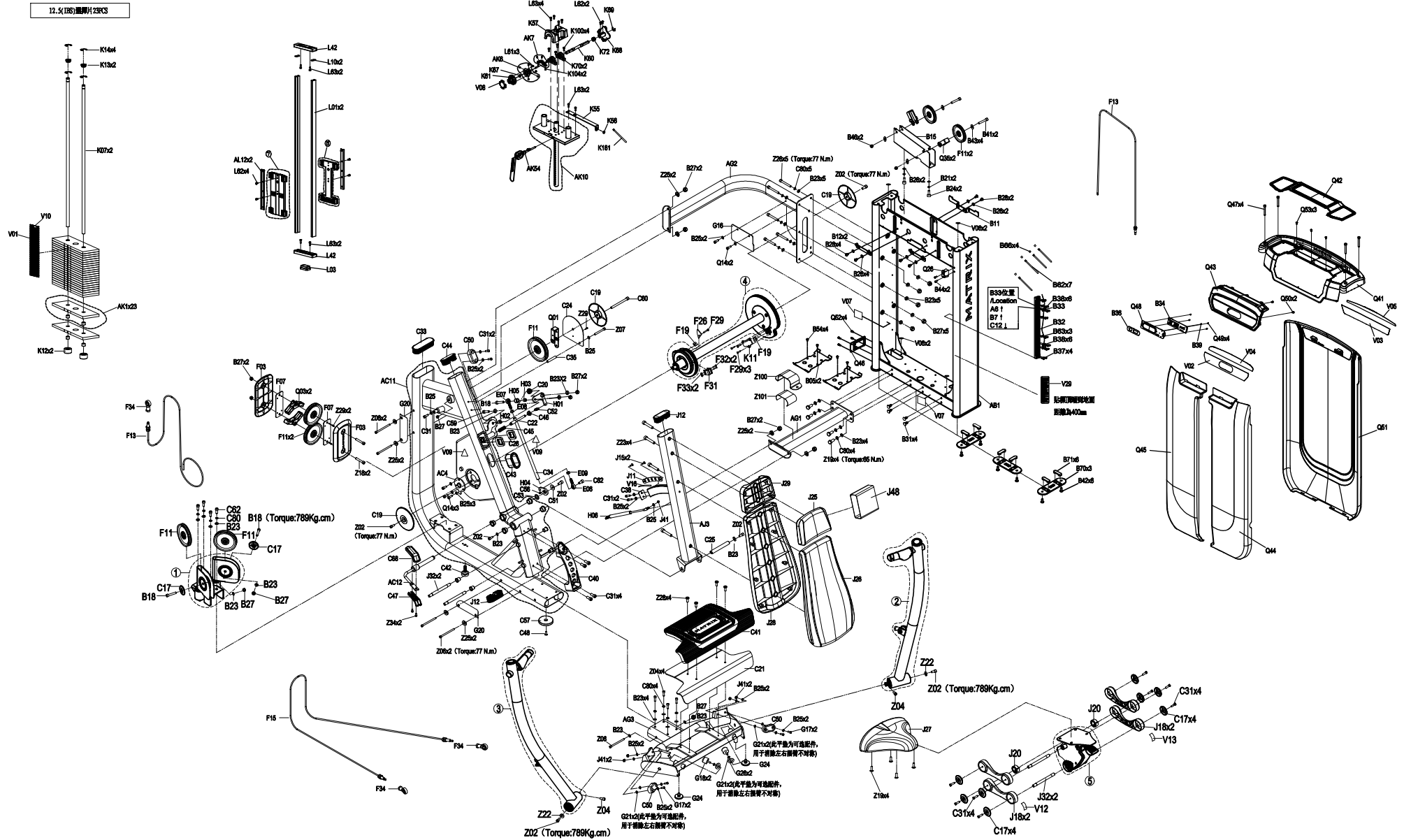
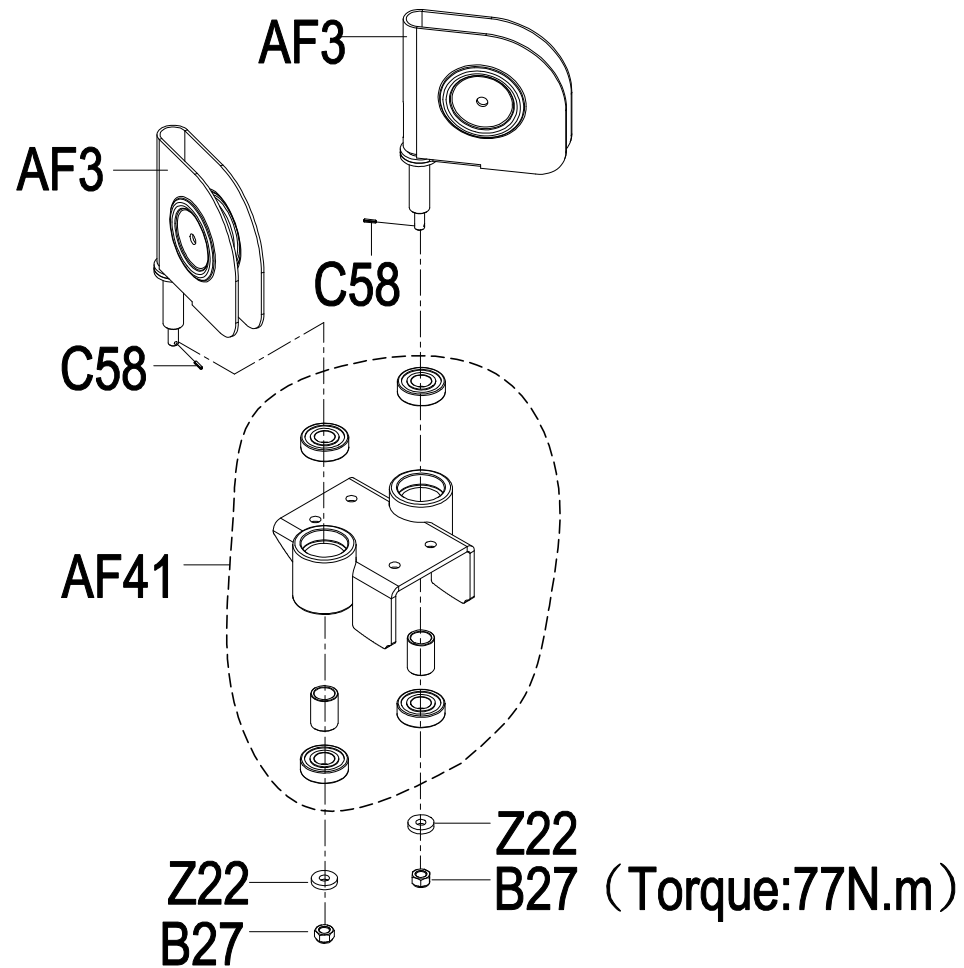


DRAWING NO	PG7GM118F-KM		
PART NAME	Chess Press		
PART NO	MGM0884-00	REV	A
APPROVE	Wangzhiqing	DATE	2024.03.21



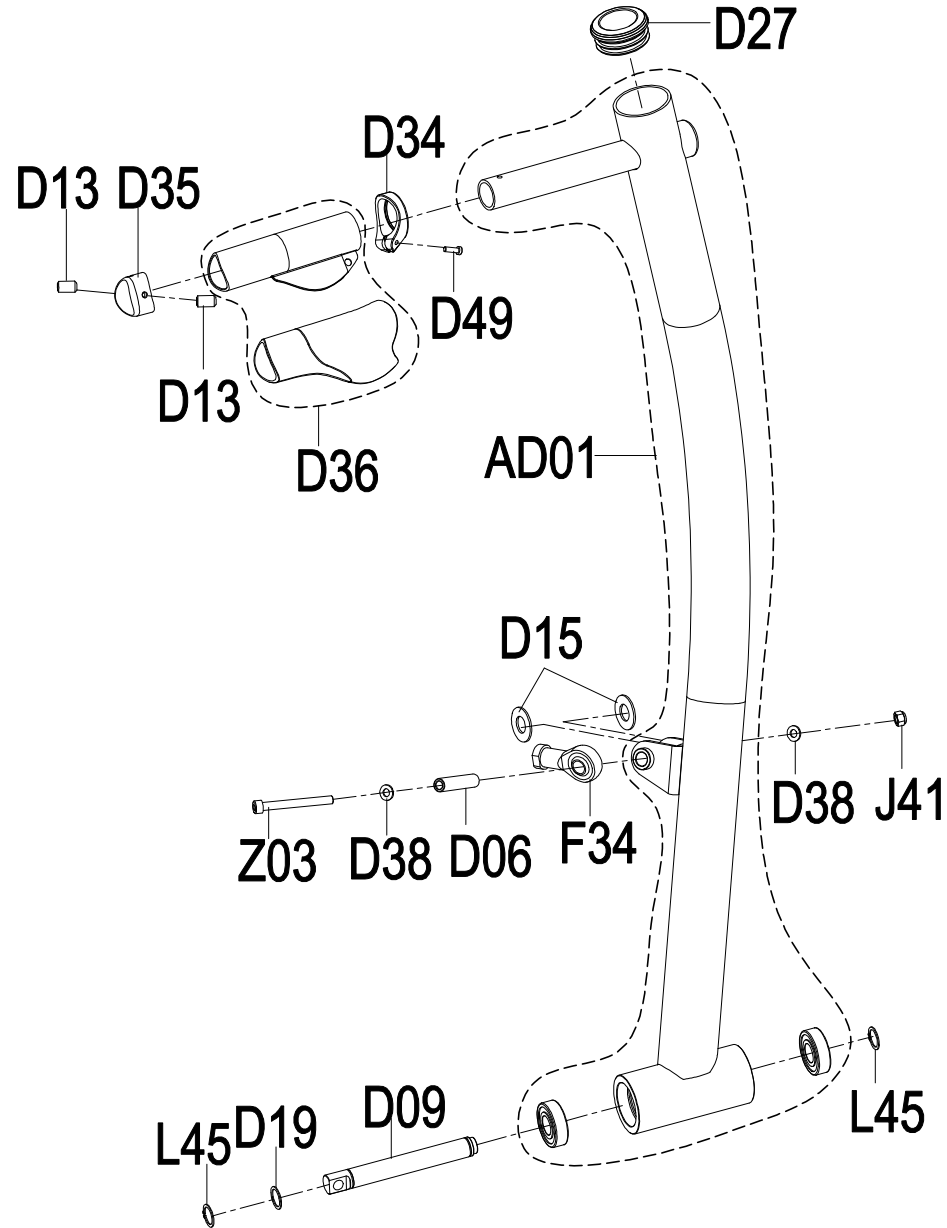
DRAWING NO	GM118-SF01		
PART NAME	Sliding Pulley Set		
PART NO	See Chart	REV	A
APPROVE	Harvey	DATE	08.12.2020

Part NO.	Color
1000416167	Iced Sliver
1000416168	Platinum
1000416169	Polarized Titanium
1000416171	Lace White
1000416172	Pearl White
1000416173	Mat Black
1000416174	Black Glossy
1000434107	O-PF Purple
1000440736	PF Yellow RAL1023
1000457668	Graphite Grey



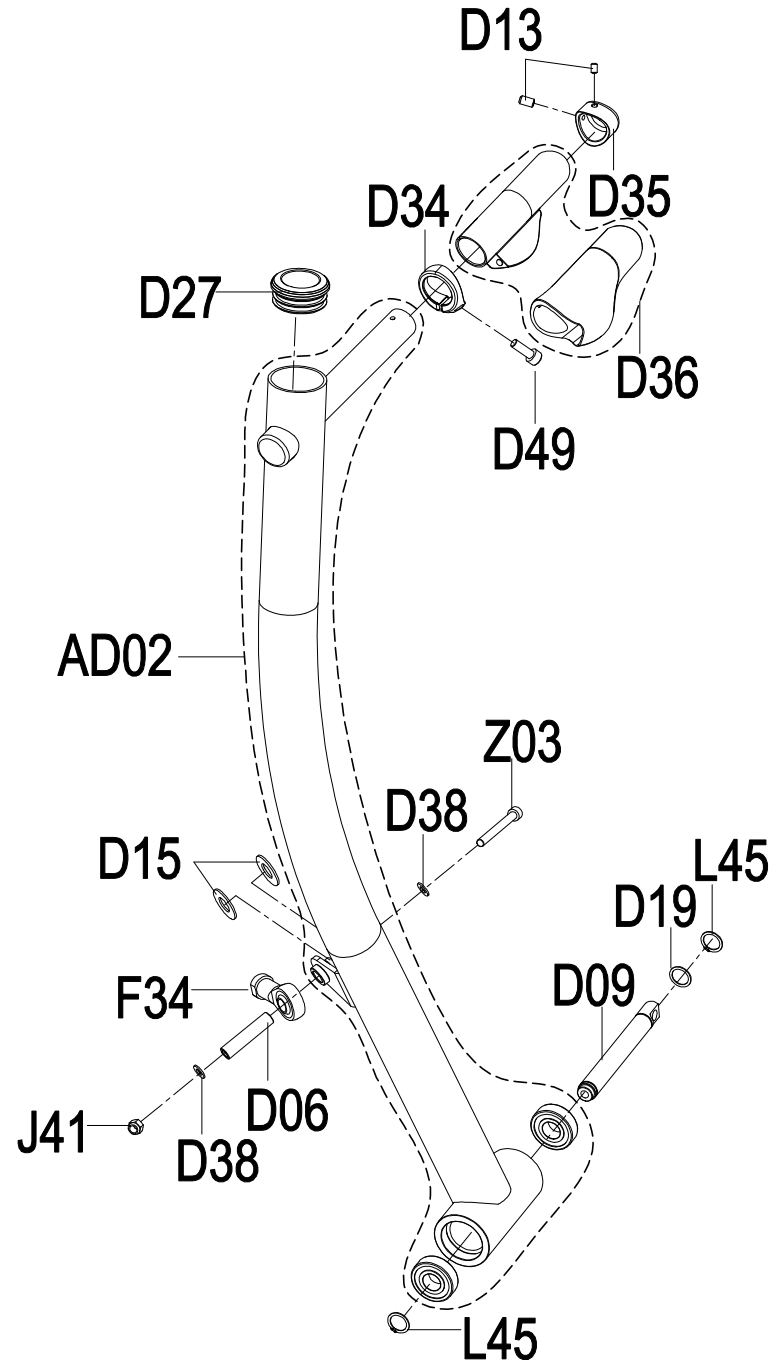
DRAWING NO	GM118-SF02	
PART NAME	Pedal Arm set;Semi-Assy;left	
PART NO	See Chart	B
APPROVE	Wangzhiqing	DATE 2024.4.03

Part NO.	Color
1000416228	Iced Sliver
1000416229	Platinum
1000416230	Polarized Titanium
1000416232	Lace White
1000416233	Pearl White
1000416235	Mat Black
1000416236	Black Glossy
1000434119	O-PF Purple
1000440737	PF Yellow RAL1023
1000509619	Graphite gray



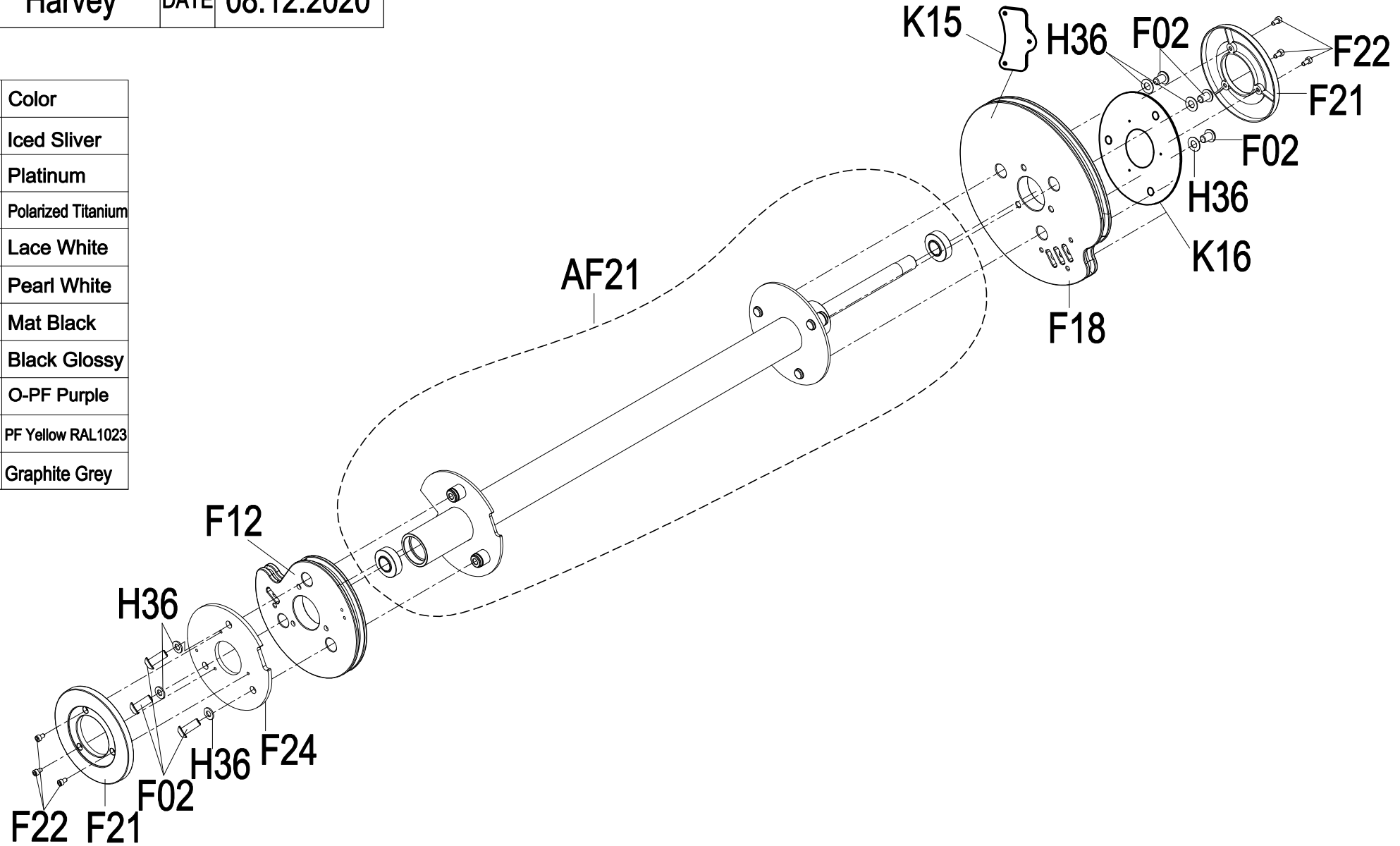
DRAWING NO	GM118-SF03	
PART NAME	Pedal Arm set;Semi-Assy;right	
PART NO	See Chart	B
APPROVE	Wangzhiqing	DATE 2024.4.03

Part NO.	Color
1000416250	Iced Sliver
1000416261	Platinum
1000416262	Polarized Titanium
1000416263	Lace White
1000416264	Pearl White
1000416265	Mat Black
1000416266	Black Glossy
1000434176	O-PF Purple
1000440738	PF Yellow RAL1023
1000509622	Graphite gray



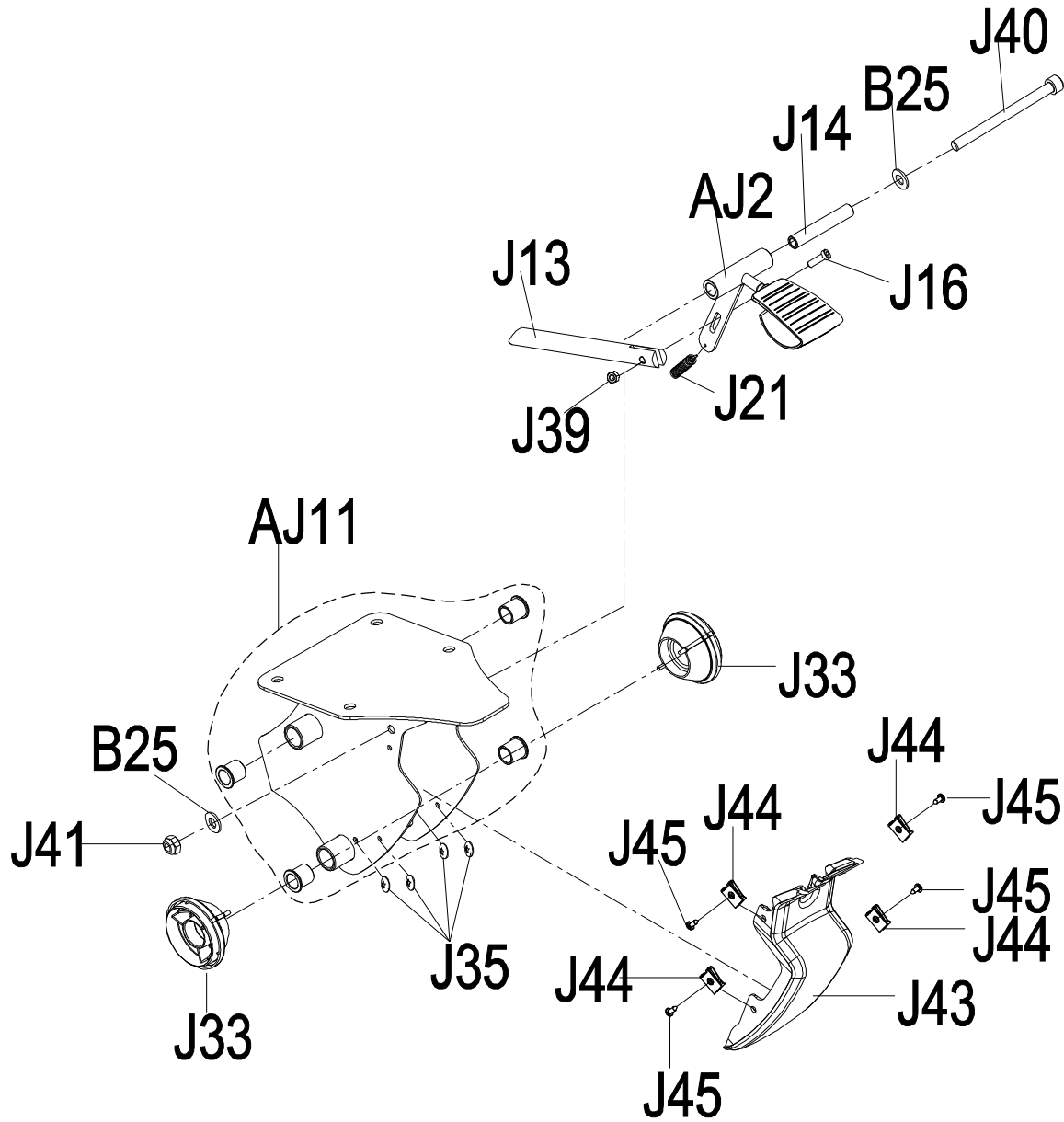
DRAWING NO	GM118-SF04		
PART NAME	Swivel Axle Set		
PART NO	See Chart	REV	A
APPROVE	Harvey	DATE	08.12.2020

Part NO.	Color
1000416274	Iced Sliver
1000416275	Platinum
1000416276	Polarized Titanium
1000416277	Lace White
1000416278	Pearl White
1000416279	Mat Black
1000416280	Black Glossy
1000434183	O-PF Purple
1000440739	PF Yellow RAL1023
1000457739	Graphite Grey

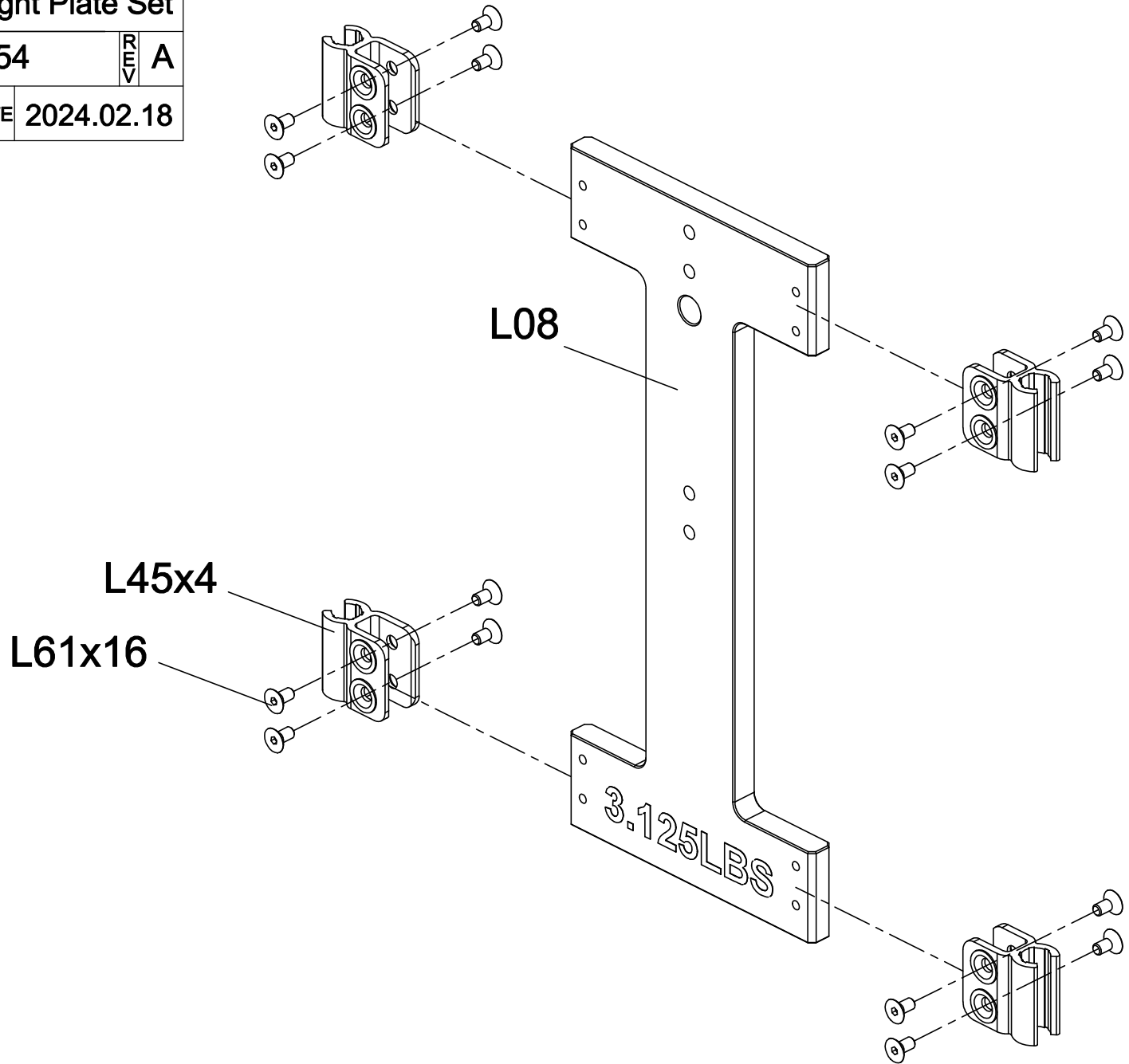


DRAWING NO	GM118-SF05		
PART NAME	Seat Adjustable Set		
PART NO	See Chart	A	
APPROVE	Louis	DATE	08.22.2020

Part NO.	Color
1000416338	Iced Sliver
1000416339	Platinum
1000416340	Polarized Titanium
1000416341	Lace White
1000416342	Pearl White
1000416343	Mat Black
1000416344	Black Glossy
1000434208	O-PF Purple
1000440740	PF Yellow RAL1023
1000458022	Graphite Gray



DRAWING NO	GM113F-SF03		
PART NAME	Incremental Weight Plate Set		
PART NO	1000504954	REV	A
APPROVE	Yang Hong wu	DATE	2024.02.18



DRAWING NO	GM113F-SF04		
PART NAME	Incremental Weight Plate Set		
PART NO	1000504962	REV	A
APPROVE	Yang Hong wu	DATE	2024.02.18

