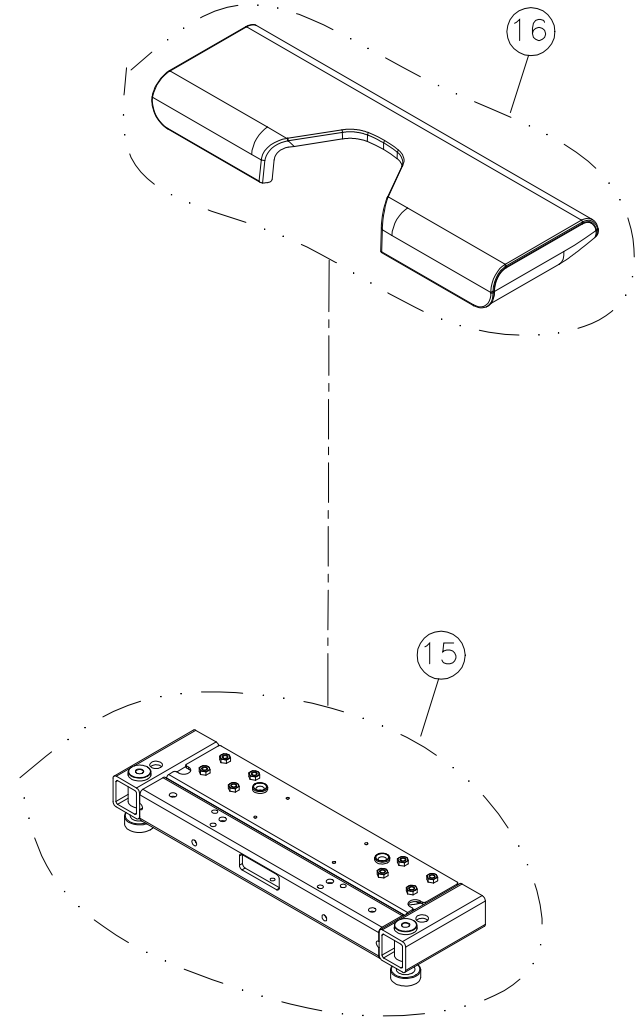
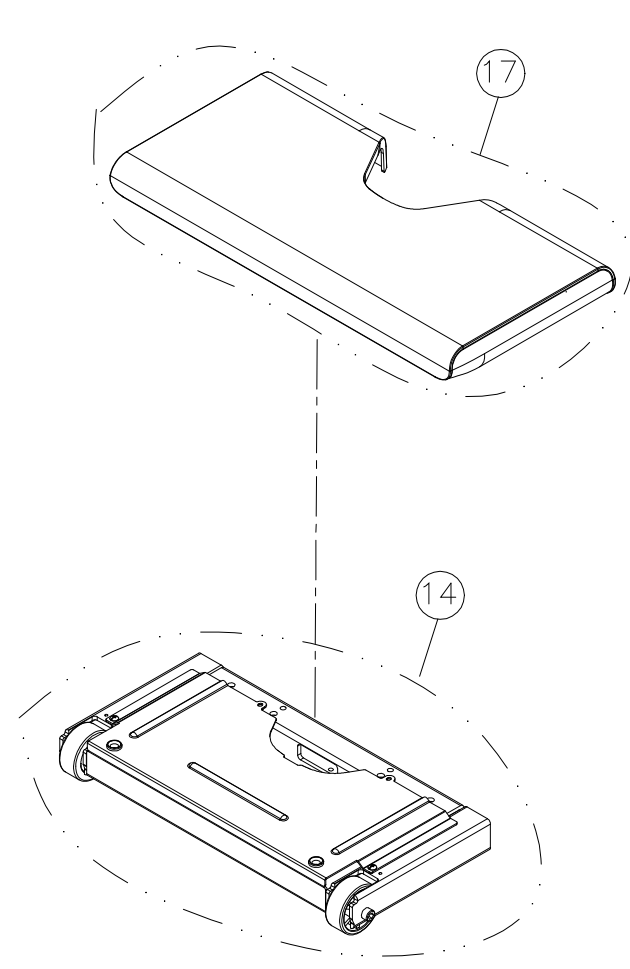

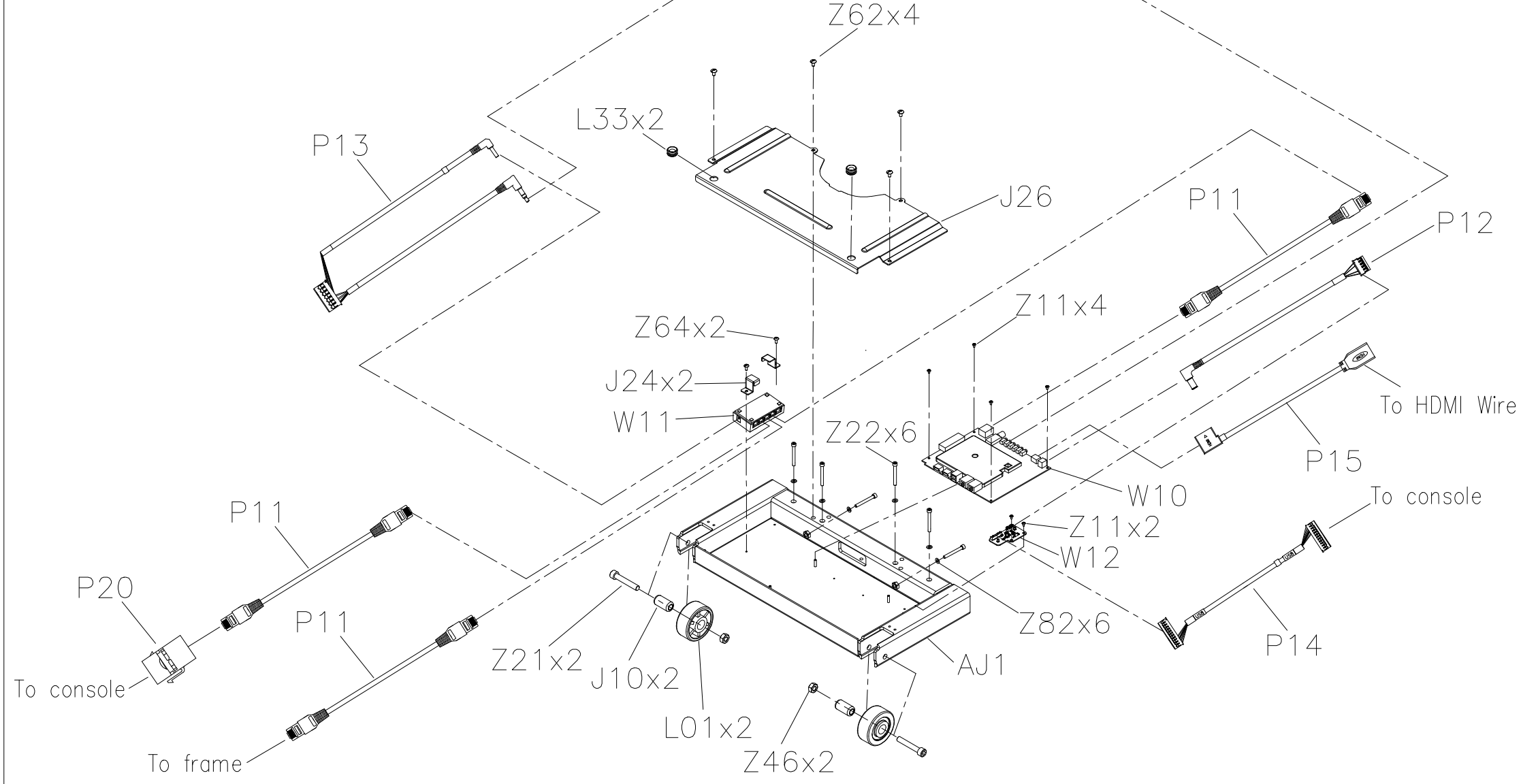


DRAWING NO	RB319E-A04		
PART NAME	Exploded view		
PART NO	1000497412 <small>REV</small> B		
APPROVE	Amelie	DATE	20231215

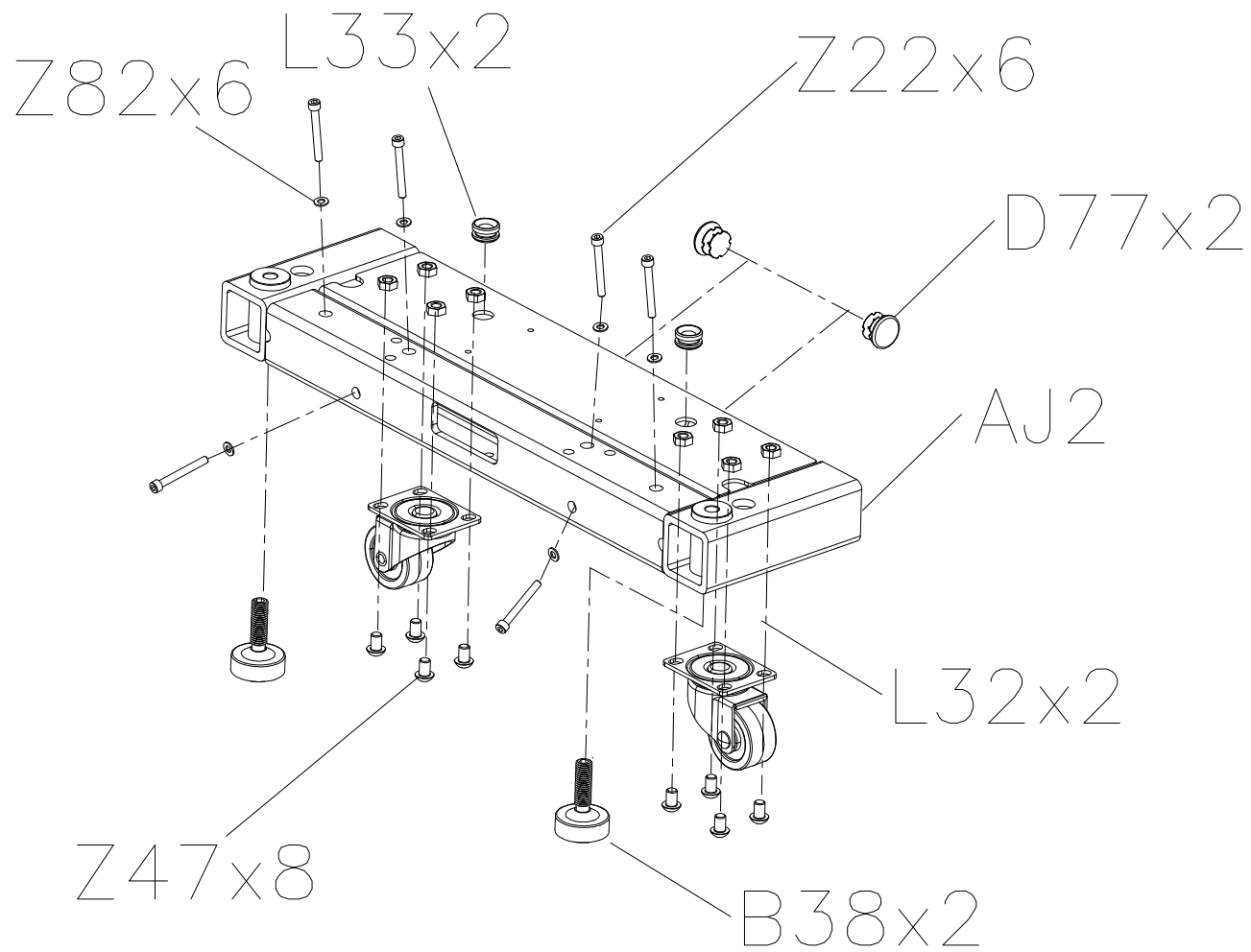
SAP NO.
MRB1064-00
MRB1066-00



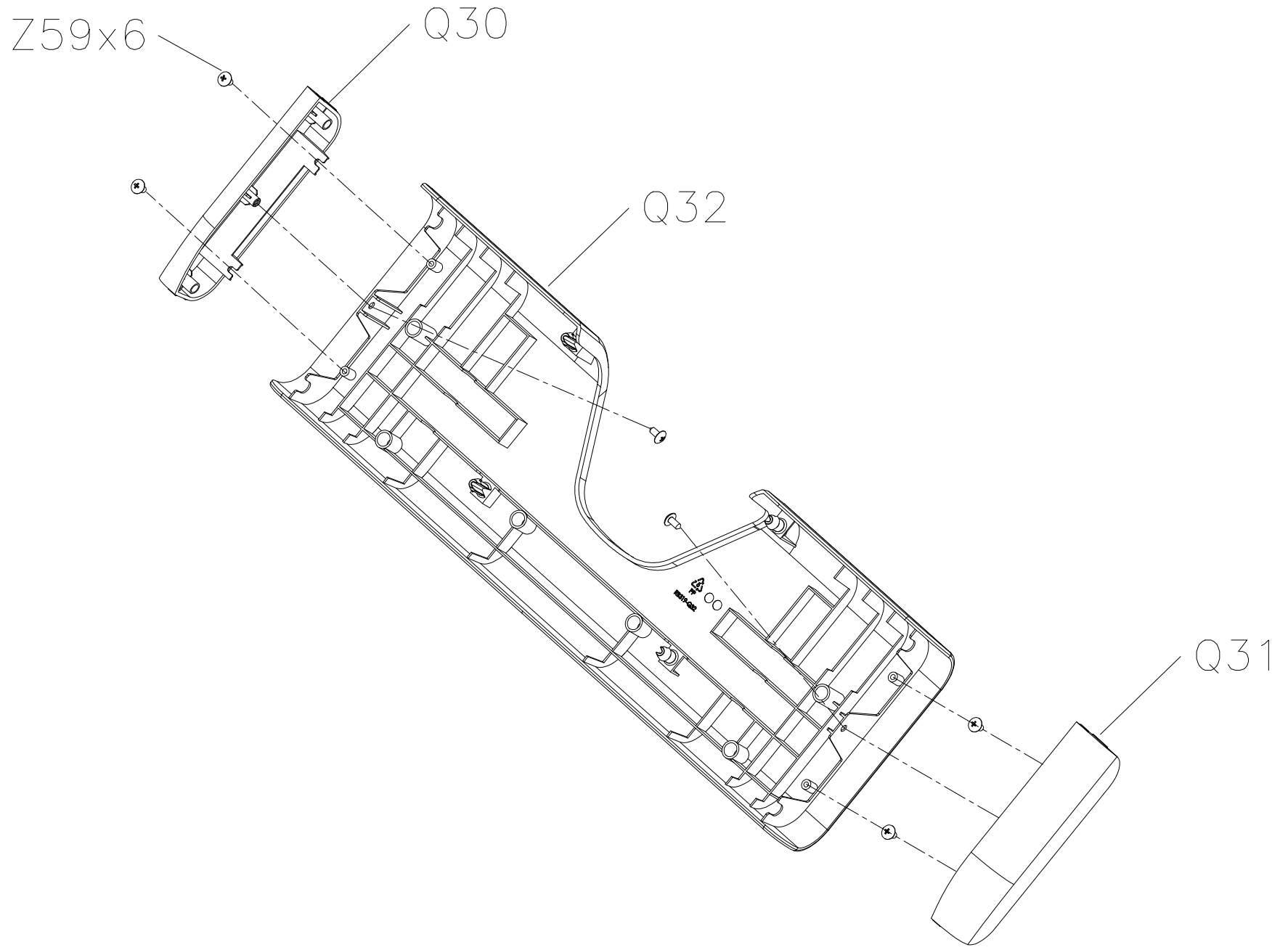
DRAWING NO	RB319G-AJ14		
PART NAME	Stabilizer Tube Set;front		
PART NO	1000497747  B		
APPROVE	Nature	DATE	20240301



DRAWING NO	RB319-AJ15		
PART NAME	Stabilizer Tube Set;back		
PART NO	1000496088 <small>REV</small> B		
APPROVE	Amelie	DATE	20231219



DRAWING NO	RB319-AQ16		
PART NAME	shield set;Stabilizer Tube		
PART NO	1000487925 <small>REV</small> B		
APPROVE	Amelie	DATE	20231218



DRAWING NO	RB319E-AQ16		
PART NAME	shield set;Stabilizer Tube		
PART NO	1000497420  B		
APPROVE	Amelie	DATE	20231218

