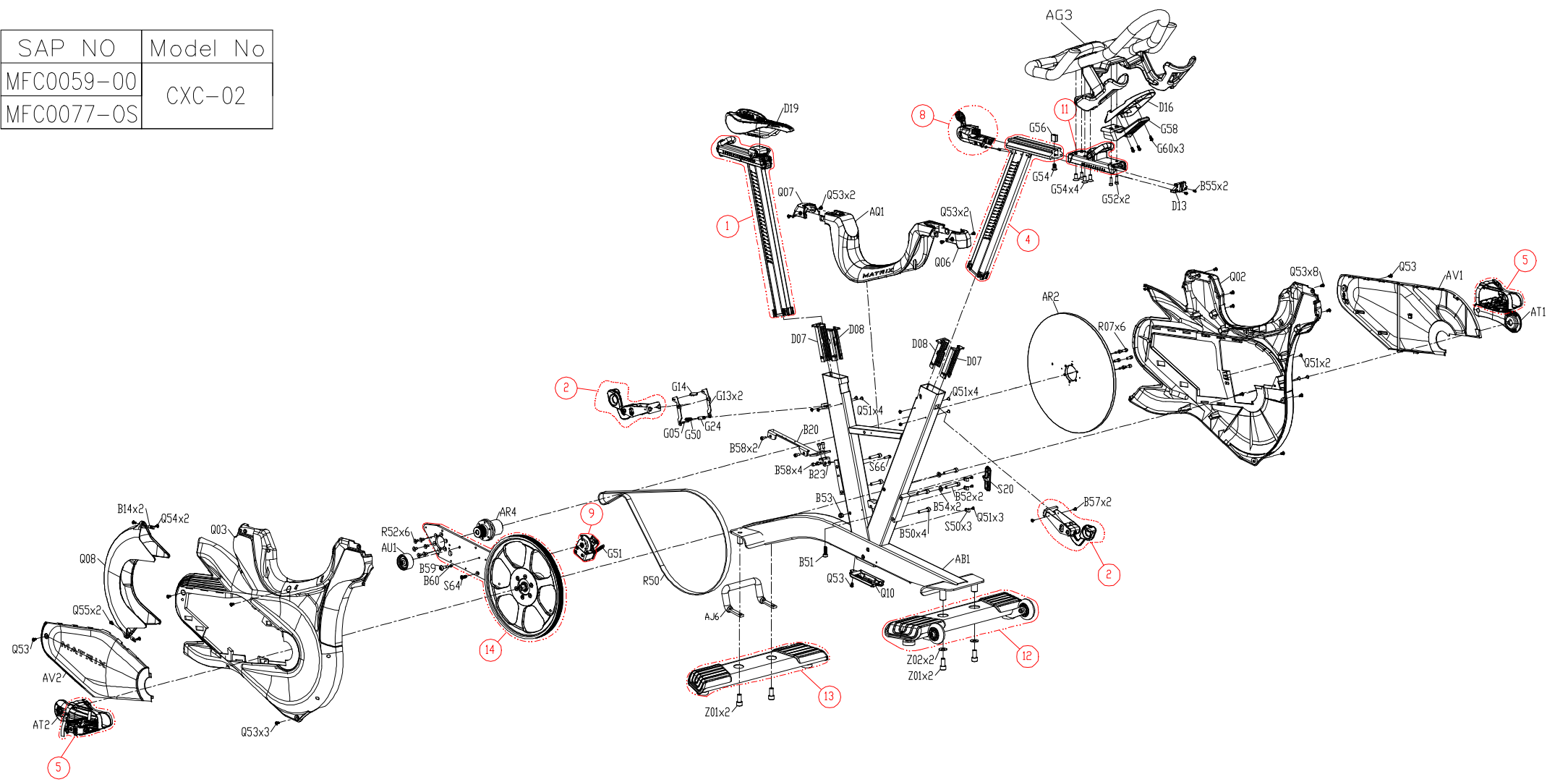
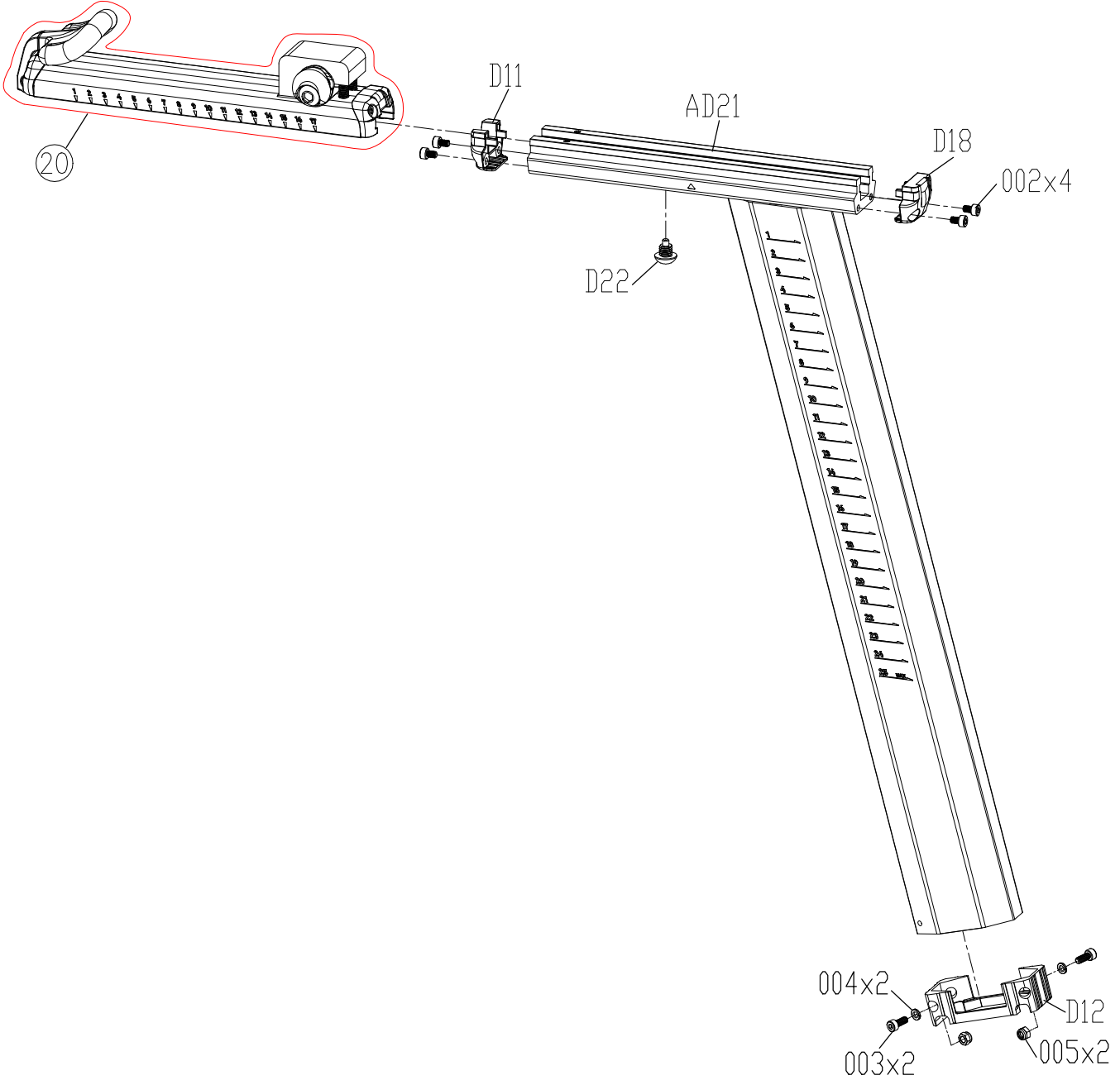


DRAWING NO	FC32-A04		
PART NAME	Exploded view;Semi-Assy		
PART NO	1000460290	REV	E
APPROVE	Janet	DATE	20240308

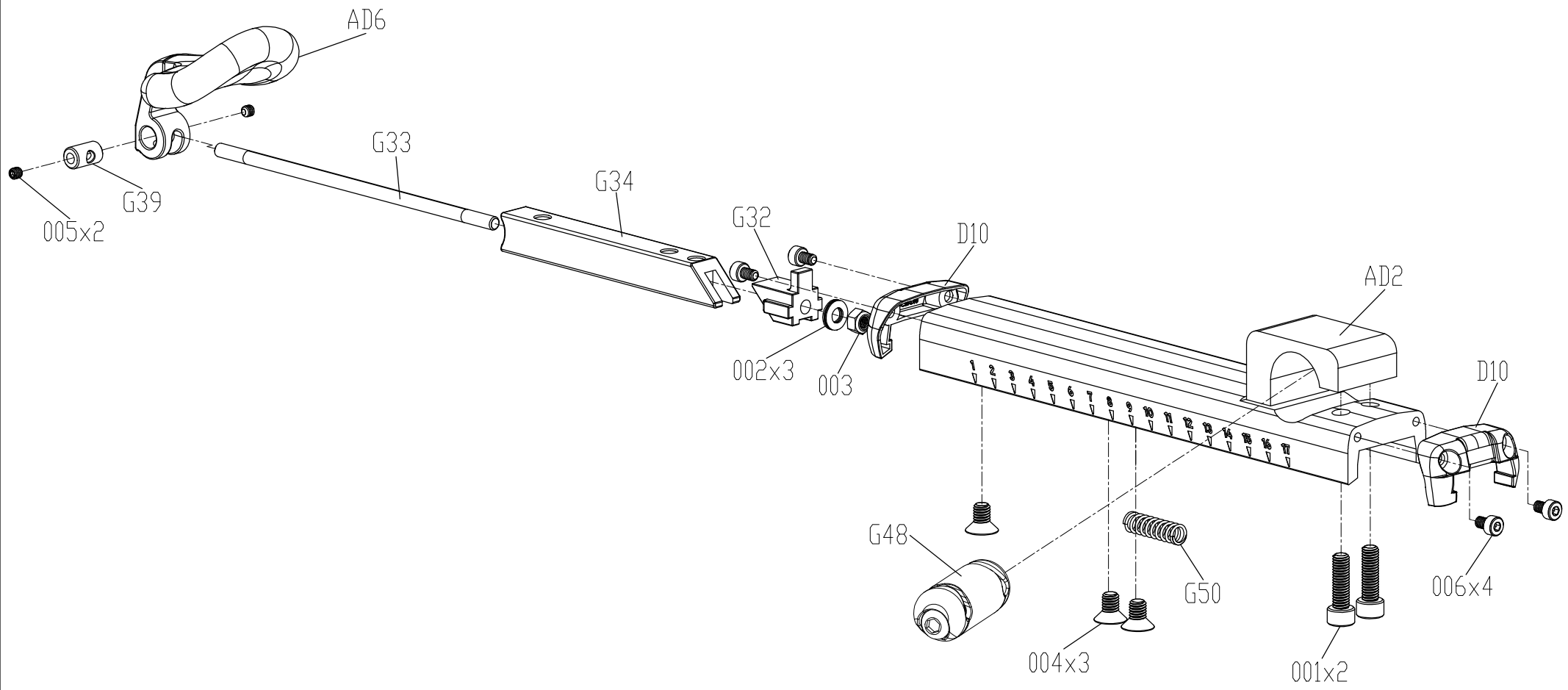
SAP NO	Model No
MFC0059-00	CXC-02
MFC0077-0S	



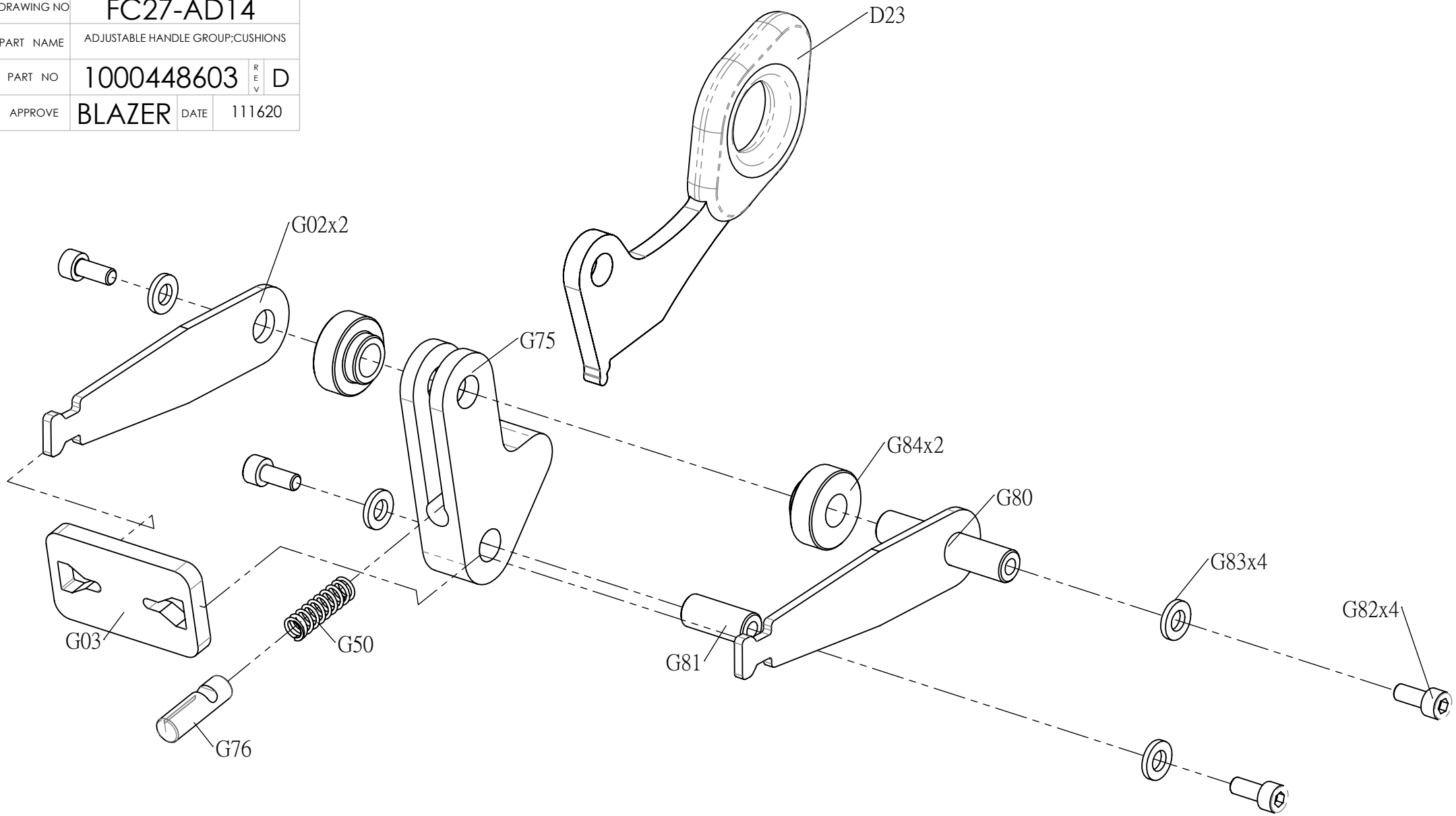
DRAWING NO	FC20-AD11		
PART NAME	Seat Post Set		
PART NO	1000404510 <small>REV D</small>		
APPROVE	S.T.C	DATE	20201109



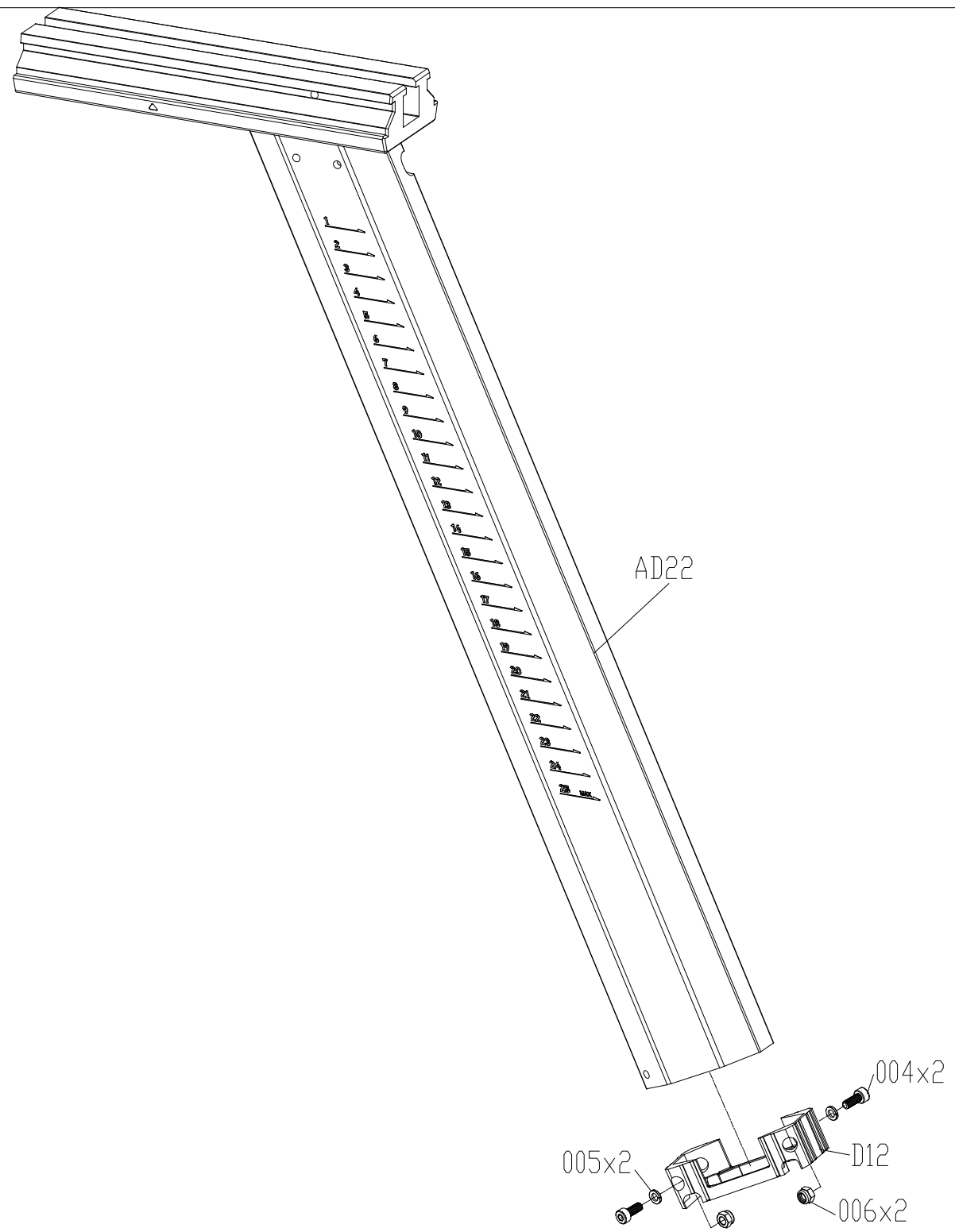
DRAWING NO	FC20-AD12		
PART NAME	Seat Pad Adjustable Set		
PART NO	1000404511 <small>REV D</small>		
APPROVE	S.T.C	DATE	20201109



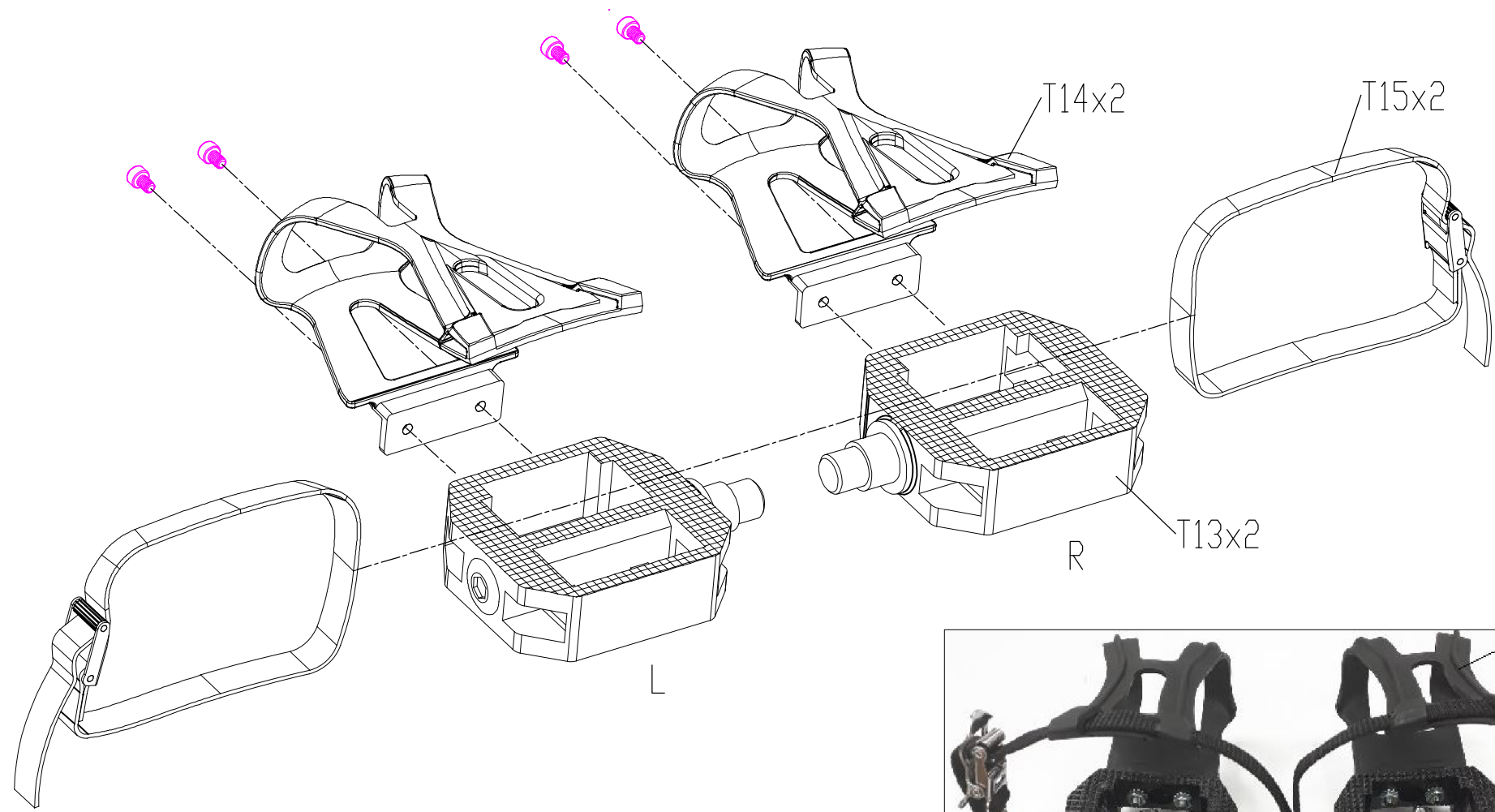
DRAWING NO	FC27-AD14		
PART NAME	ADJUSTABLE HANDLE GROUP;CUSHIONS		
PART NO	1000448603	REV	D
APPROVE	BLAZER	DATE	111620



DRAWING NO	FC24-AD25		
PART NAME	Handlebar Set;Fixing		
PART NO	1000448479	REV	B
APPROVE	Benson	DATE	20191219



DRAWING NO	FC23-AT3		
PART NAME	Pedal set,,,,,FC23;		
PART NO	1000441505REV B		
APPROVE	Benson	DATE	20190522

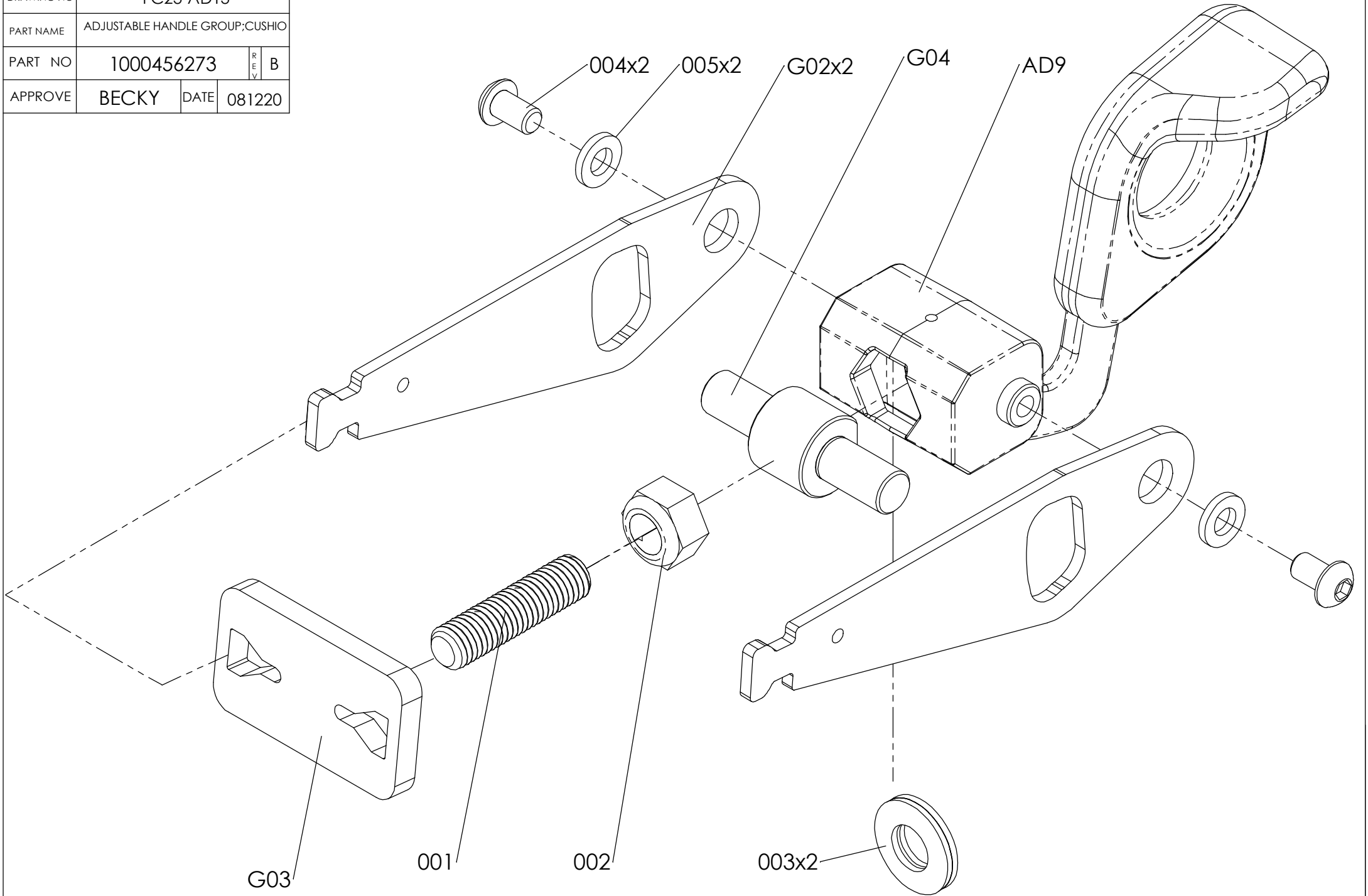


備註NOTES:

- 市購品,維格Wellgo E229B
Outsourcing, Wellgo E229B

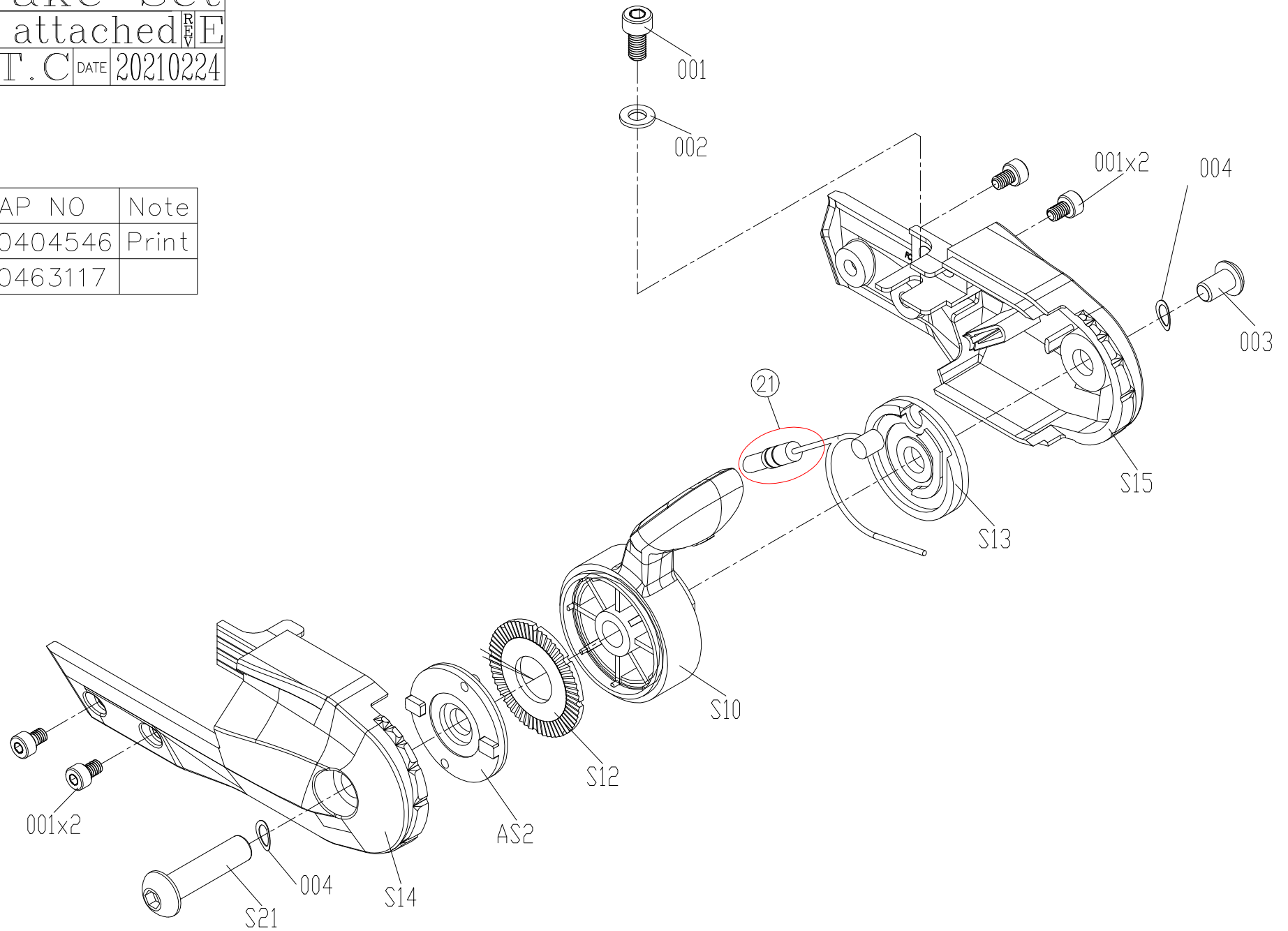


DRAWING NO	FC23-AD13		
PART NAME	ADJUSTABLE HANDLE GROUP;CUSHIO		
PART NO	1000456273	REV	B
APPROVE	BECKY	DATE	081220

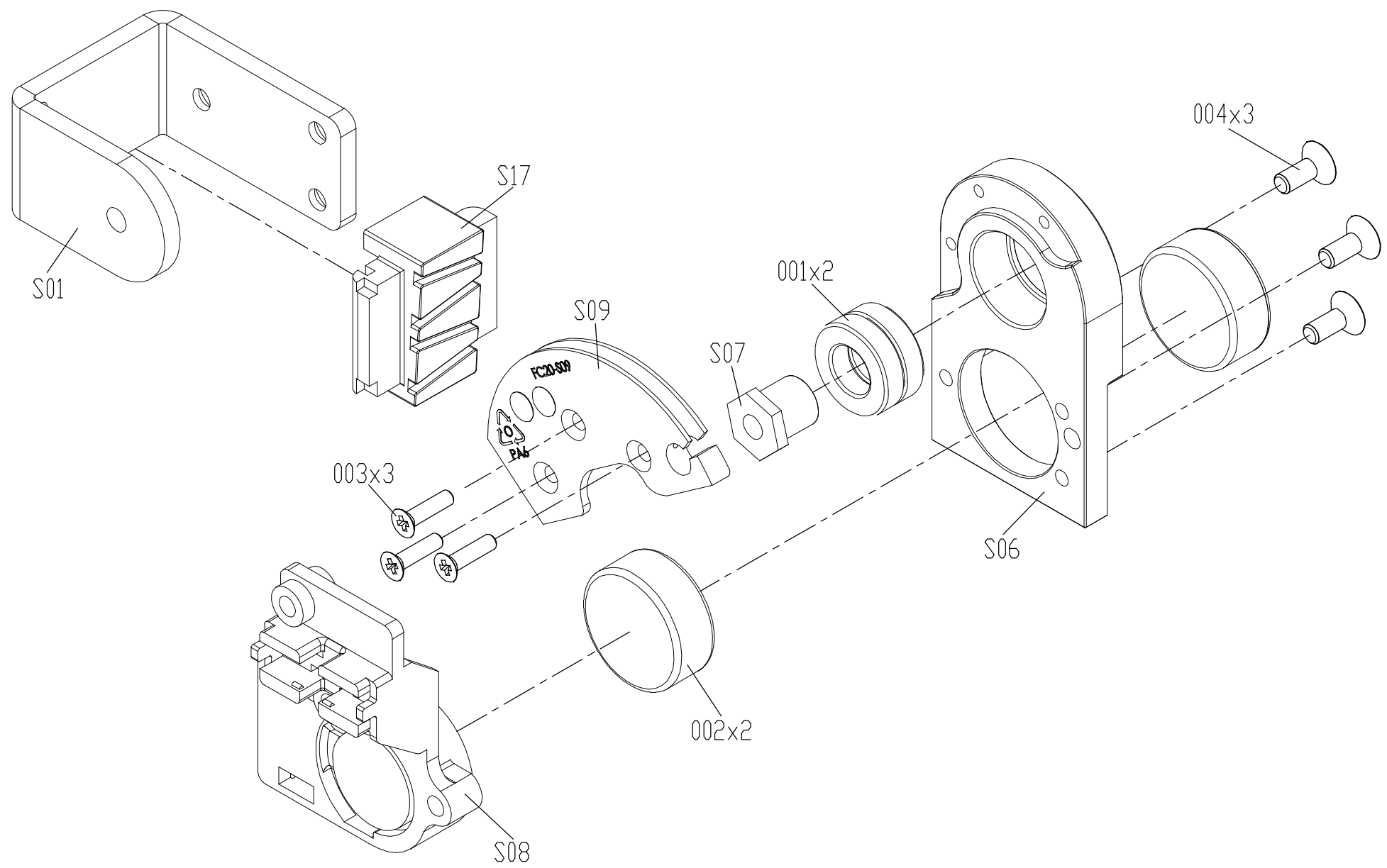


DRAWING NO	FC20-AS1		
PART NAME	Brake Set		
PART NO	As attached REV E		
APPROVE	S.T.C	DATE	20210224

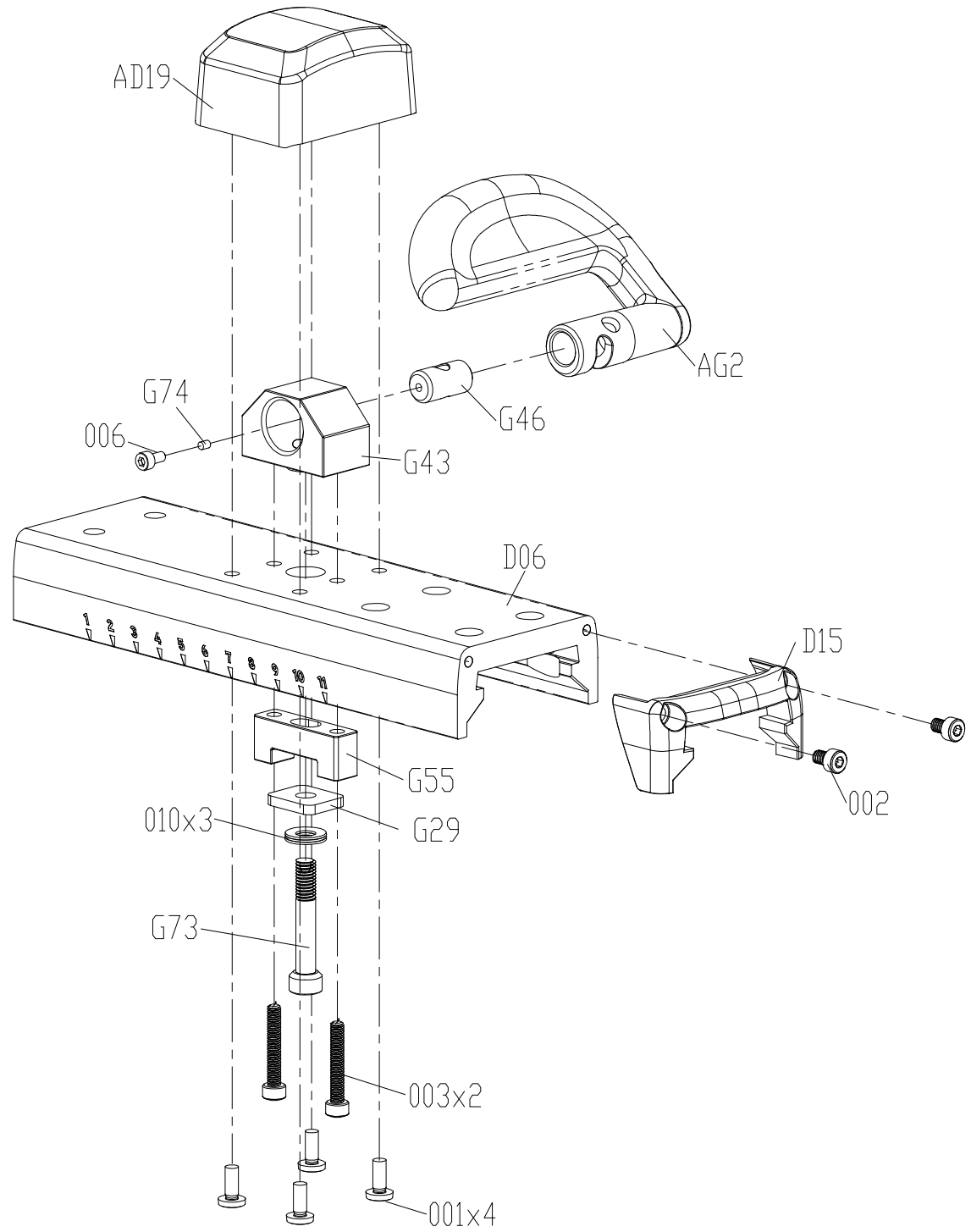
SAP NO	Note
1000404546	Print
1000463117	




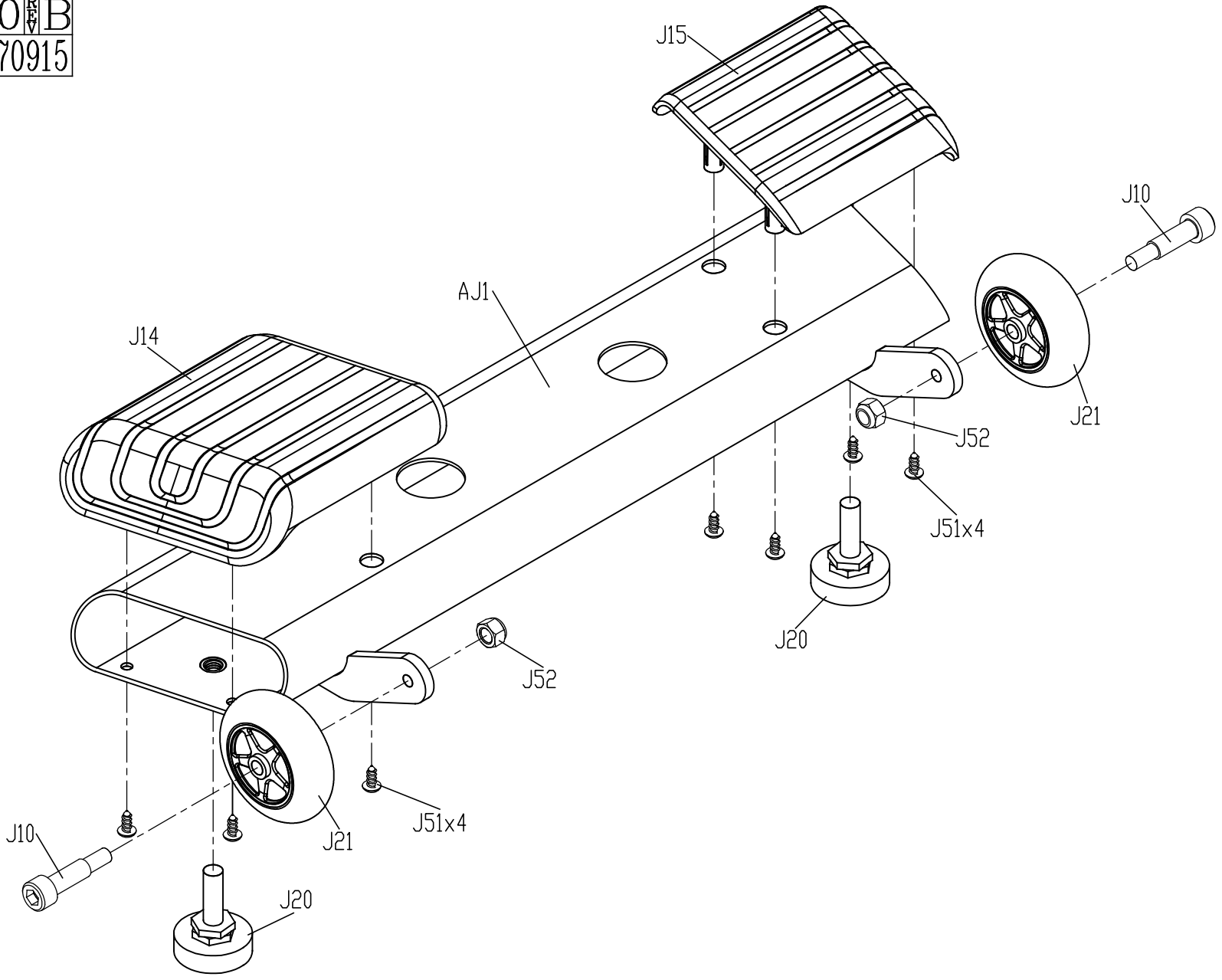
DRAWING NO	FC20-AS5		
PART NAME	flywheel set		
PART NO	1000404547 REC		
APPROVE	ADDIE	DATE	20170915



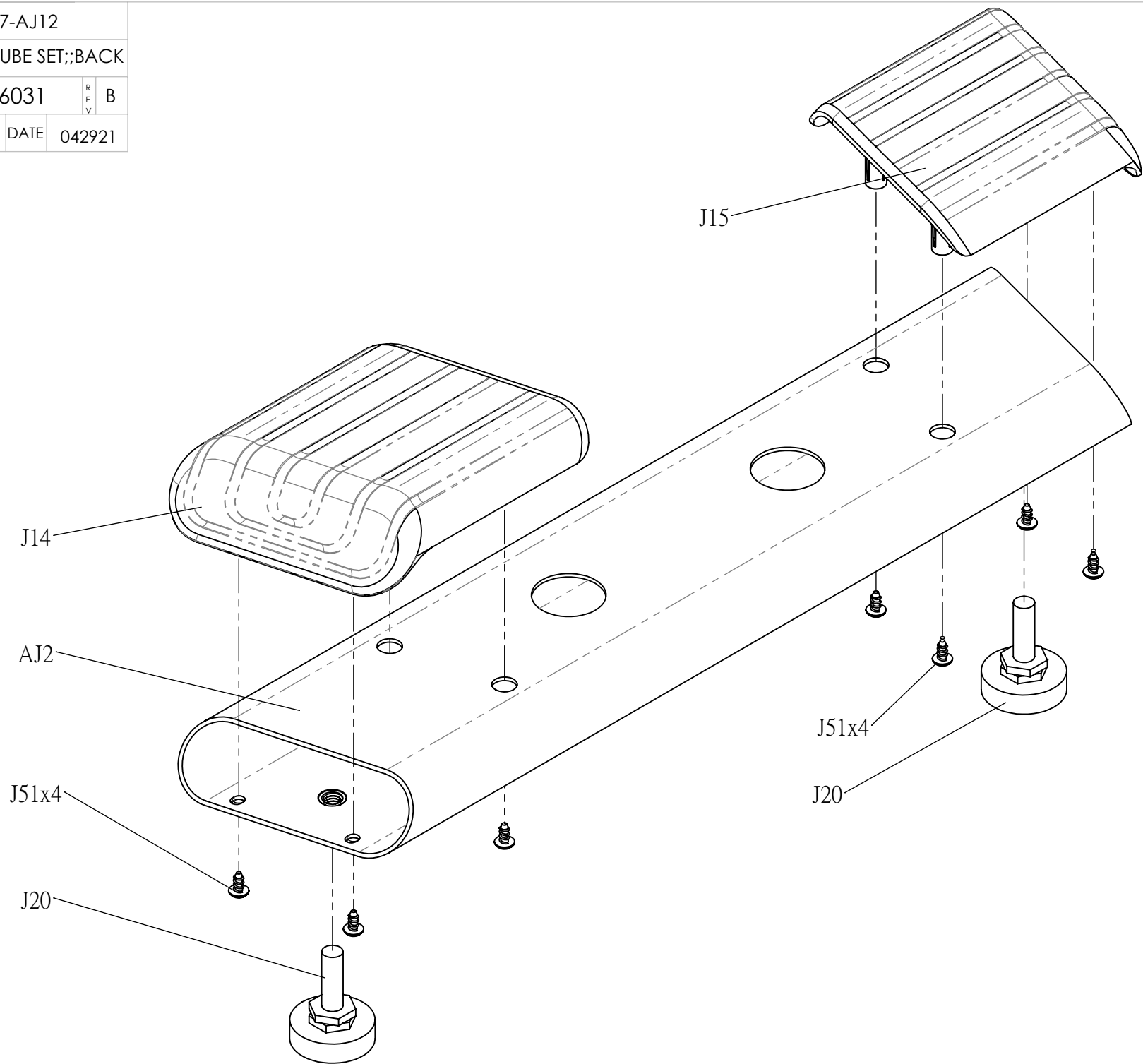
DRAWING NO	FC20-AD27		
PART NAME	Adjustable Handle Group		
PART NO	1000448484	REV	B
APPROVE	Benson	DATE	20191219



DRAWING NO	FC20-AJ11		
PART NAME	Stabilizer Tube Set;front		
PART NO	1000411450  B		
APPROVE	Benson	DATE	20170915



DRAWING NO	FC27-AJ12		
PART NAME	STABILIZER TUBE SET;;BACK		
PART NO	1000466031	REV	B
APPROVE	BLAZER	DATE	042921



DRAWING NO	FC20-AR11		
PART NAME	Driver Set		
PART NO	1000404565 B		
APPROVE	Benson	DATE	20170915

