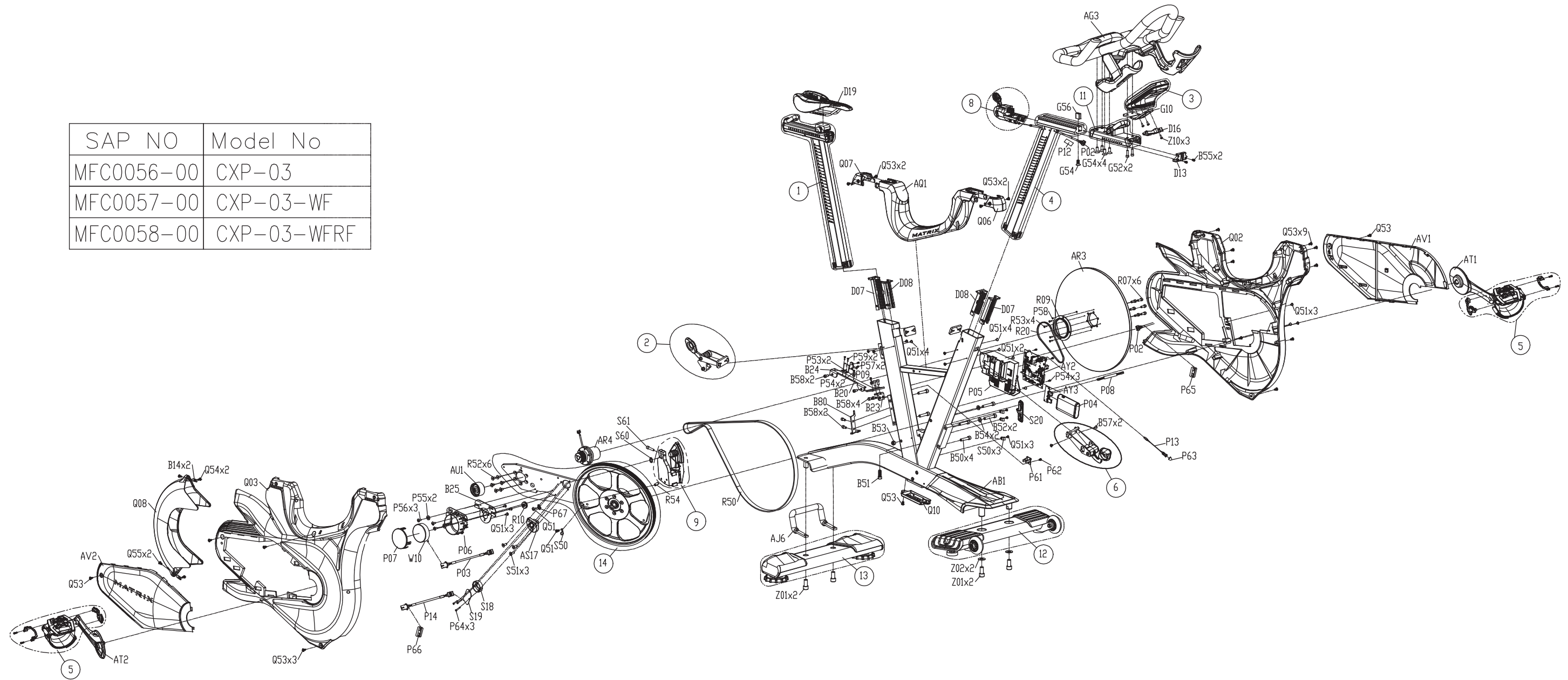
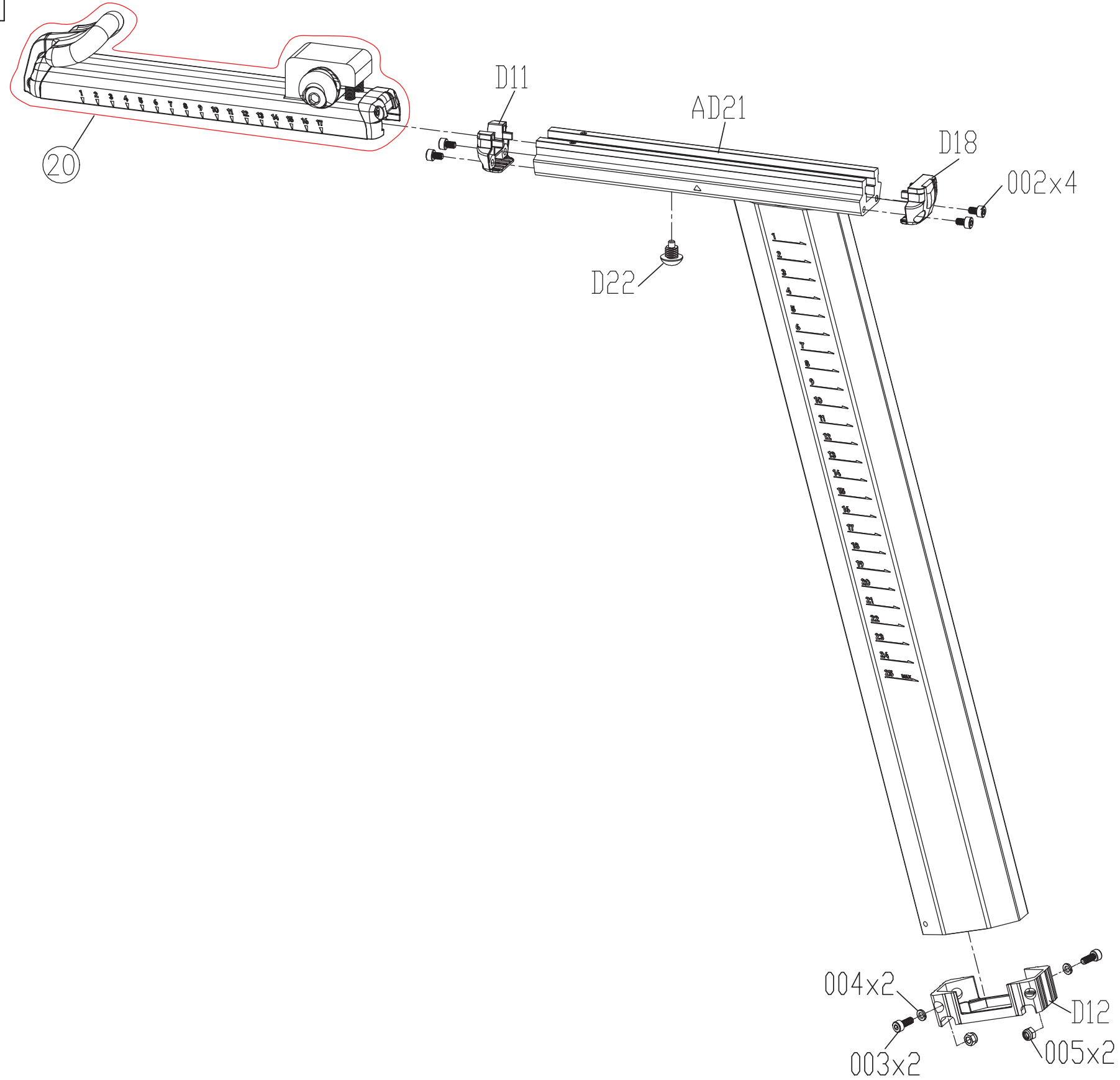


DRAWING NO	FC29-A04		
PART NAME	Exploded view;Semi-Assy		
PART NO	1000456868 <small>REV</small> D		
APPROVE	Amelie	DATE	20211001

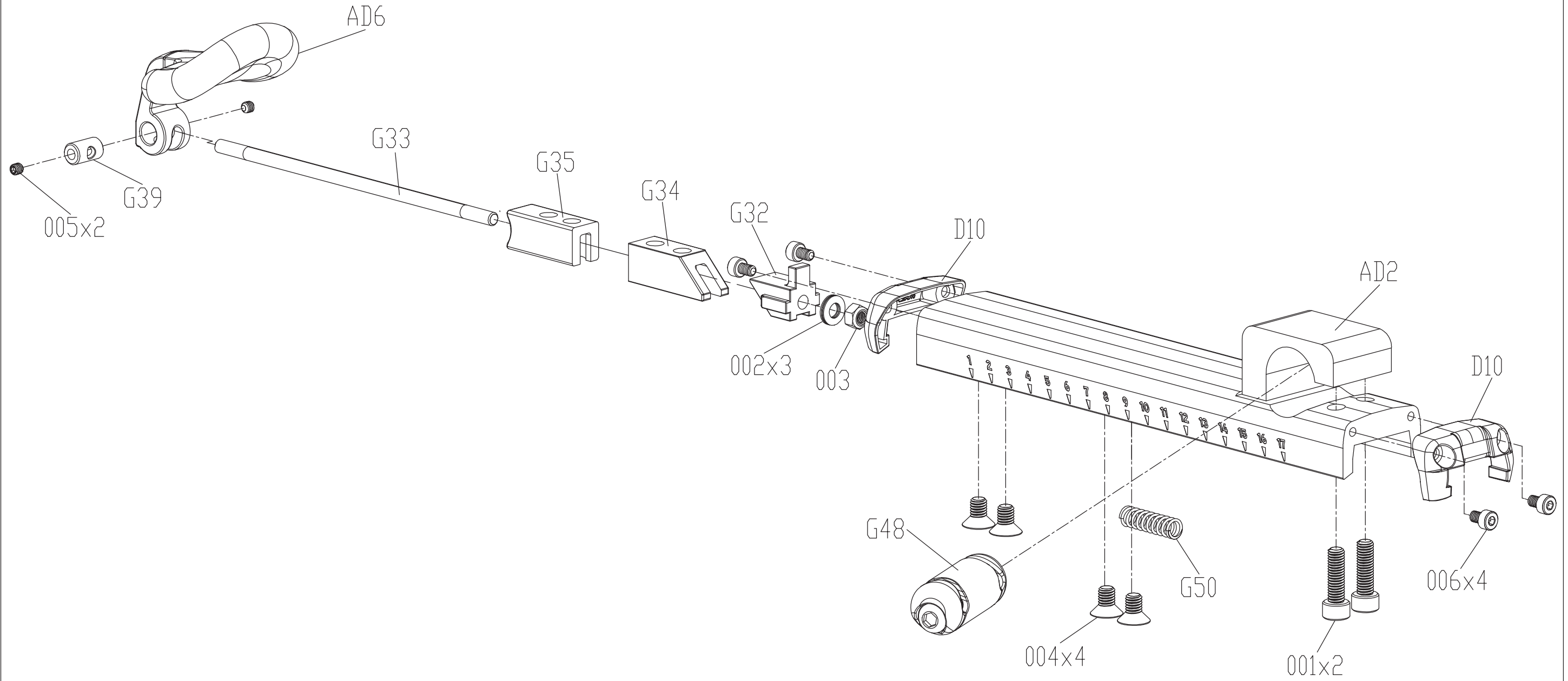
SAP NO	Model No
MFC0056-00	CXP-03
MFC0057-00	CXP-03-WF
MFC0058-00	CXP-03-WFRF



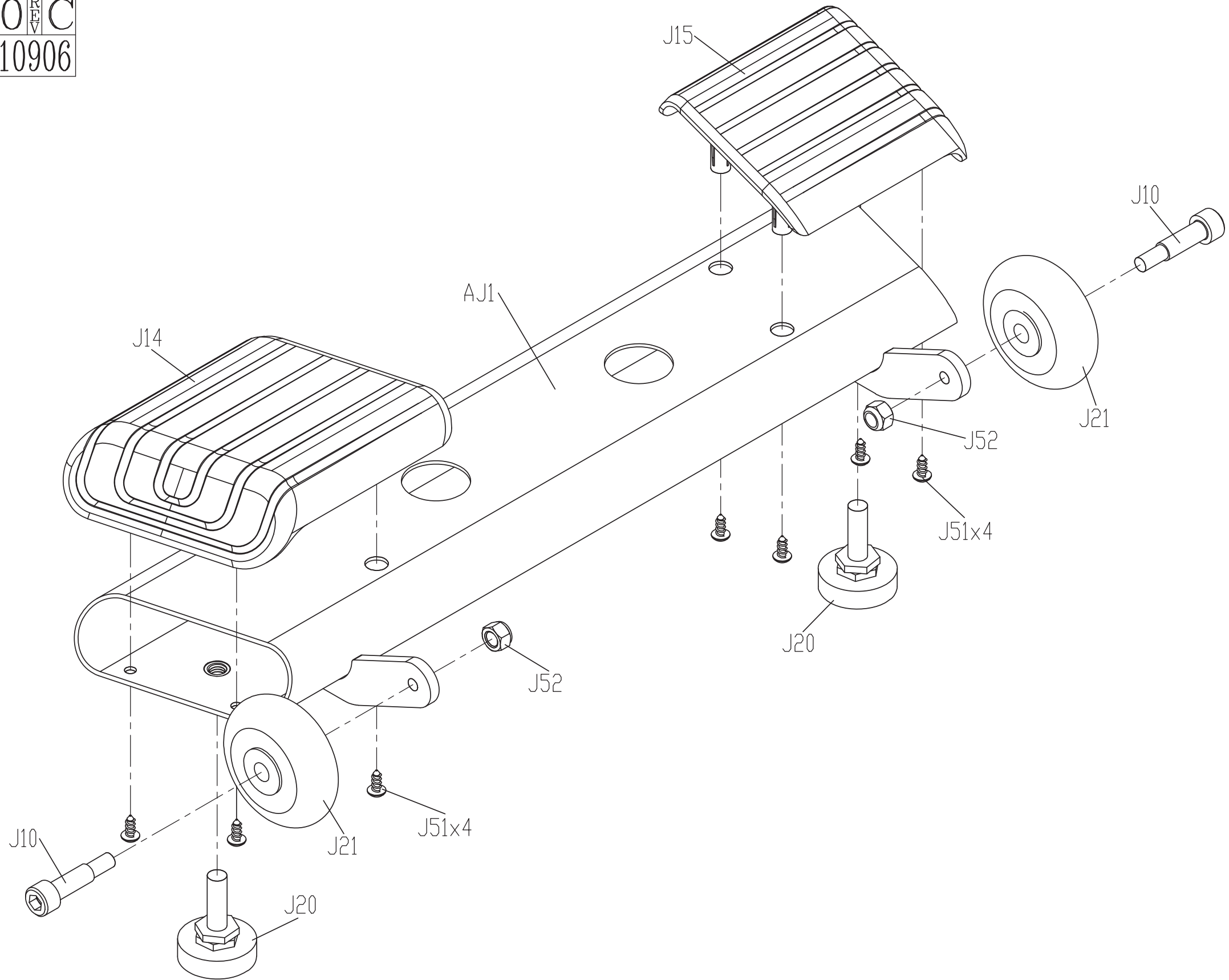
DRAWING NO	FC20-AD11		
PART NAME	Seat Post Set		
PART NO	1000404510	REV	D
APPROVE	S.T.C	DATE	20201109



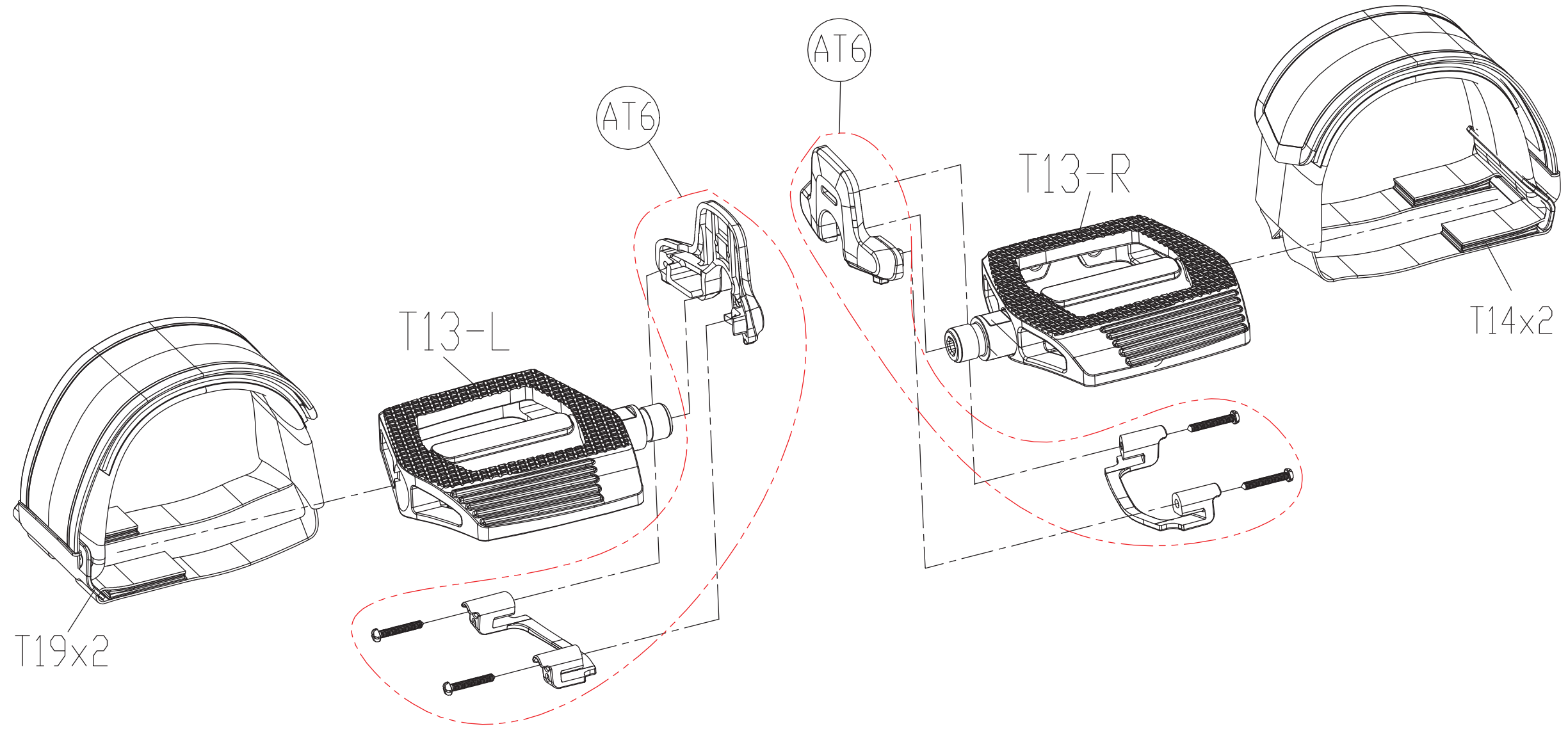
DRAWING NO	FC20-AD12		
PART NAME	Seat Pad Adjustable Set		
PART NO	1000404511	REV	E
APPROVE	RICK	DATE	20211025



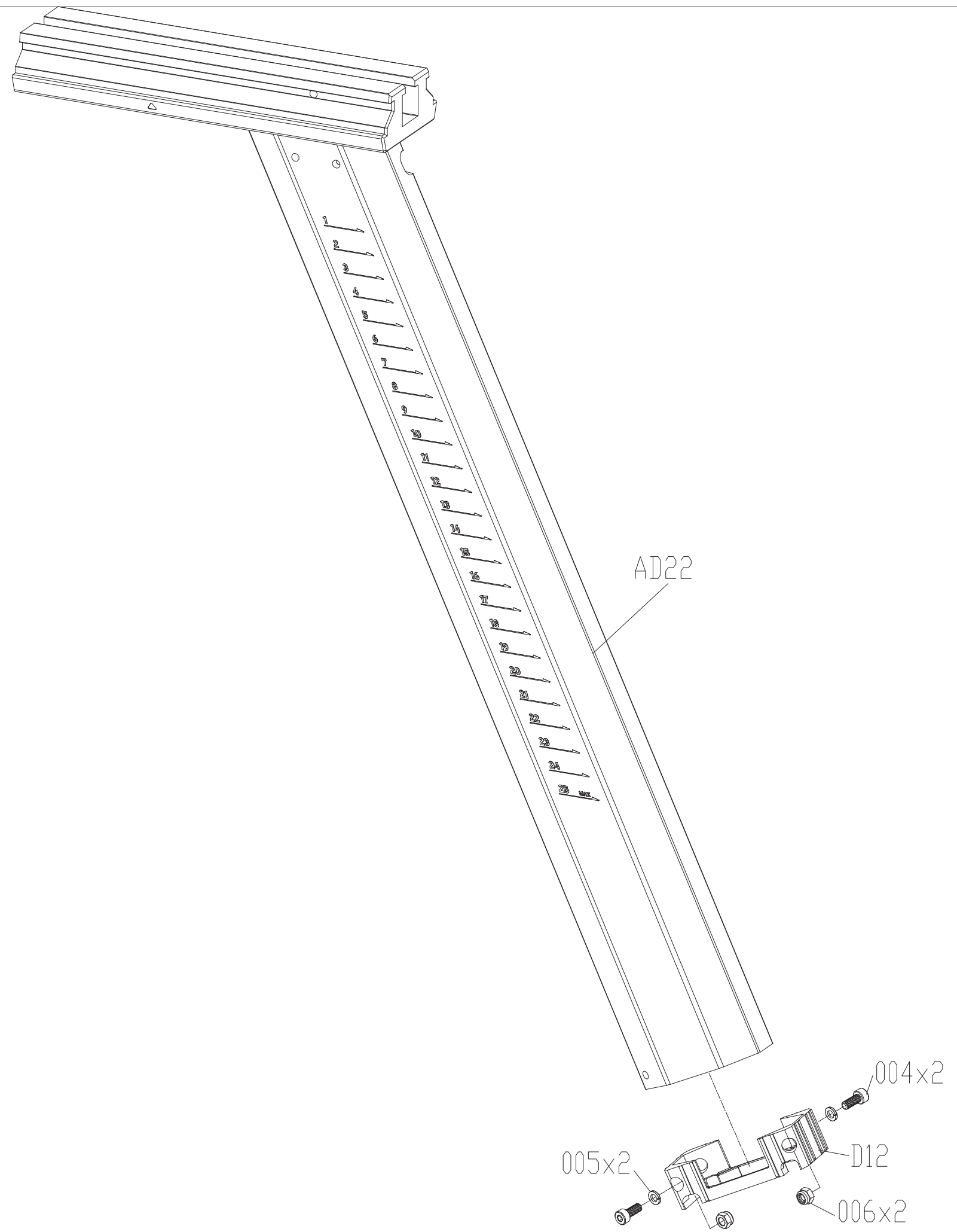
DRAWING NO	FC20-AJ11		
PART NAME	Stabilizer Tube Set;front		
PART NO	1000411450	REV	C
APPROVE	RICK	DATE	20210906



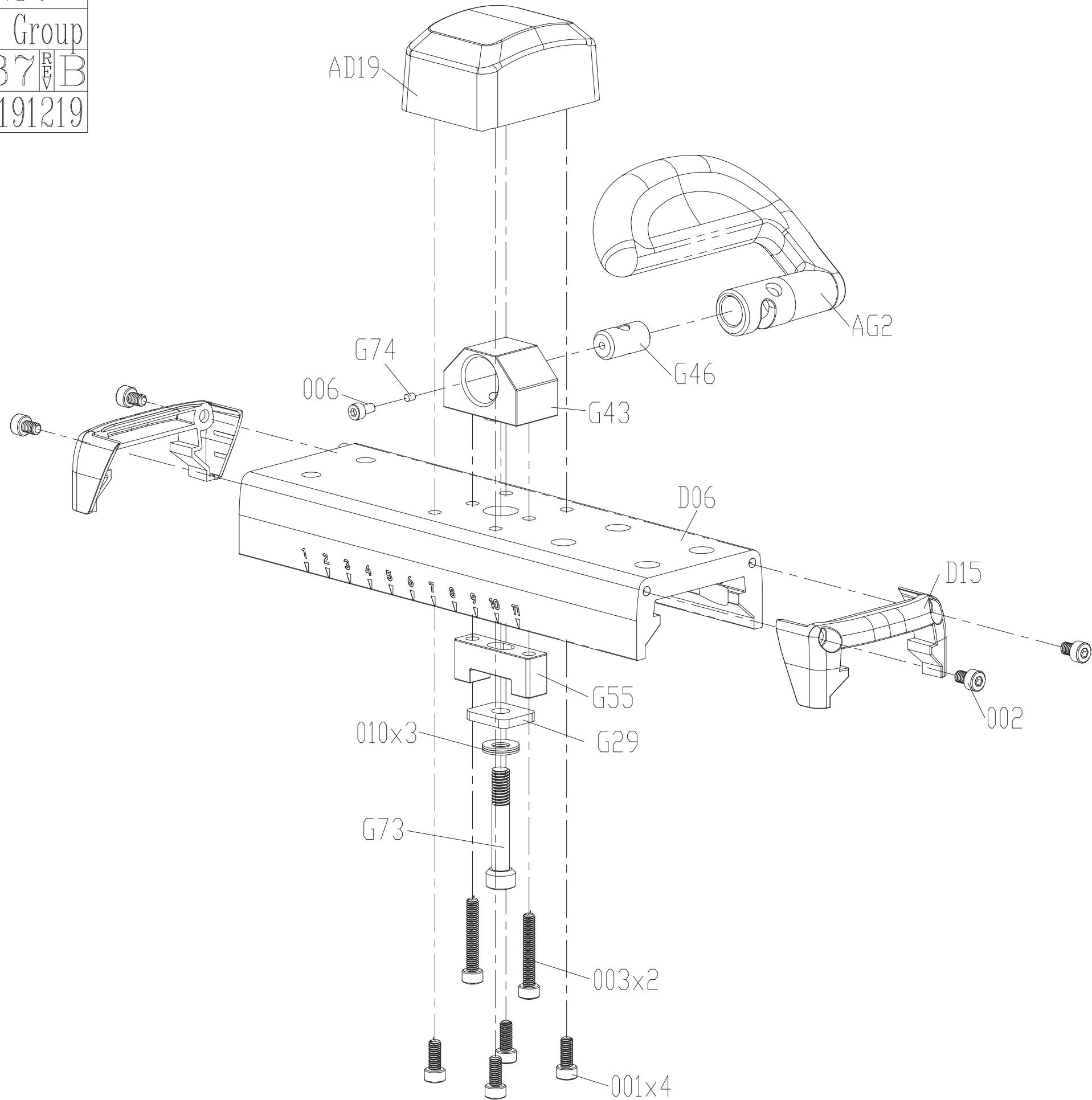
DRAWING NO	FC24C-AT3		
PART NAME	Pedal set;VP-S5		
PART NO	1000441923 <small>REV</small> B		
APPROVE	Benson	DATE	20190613



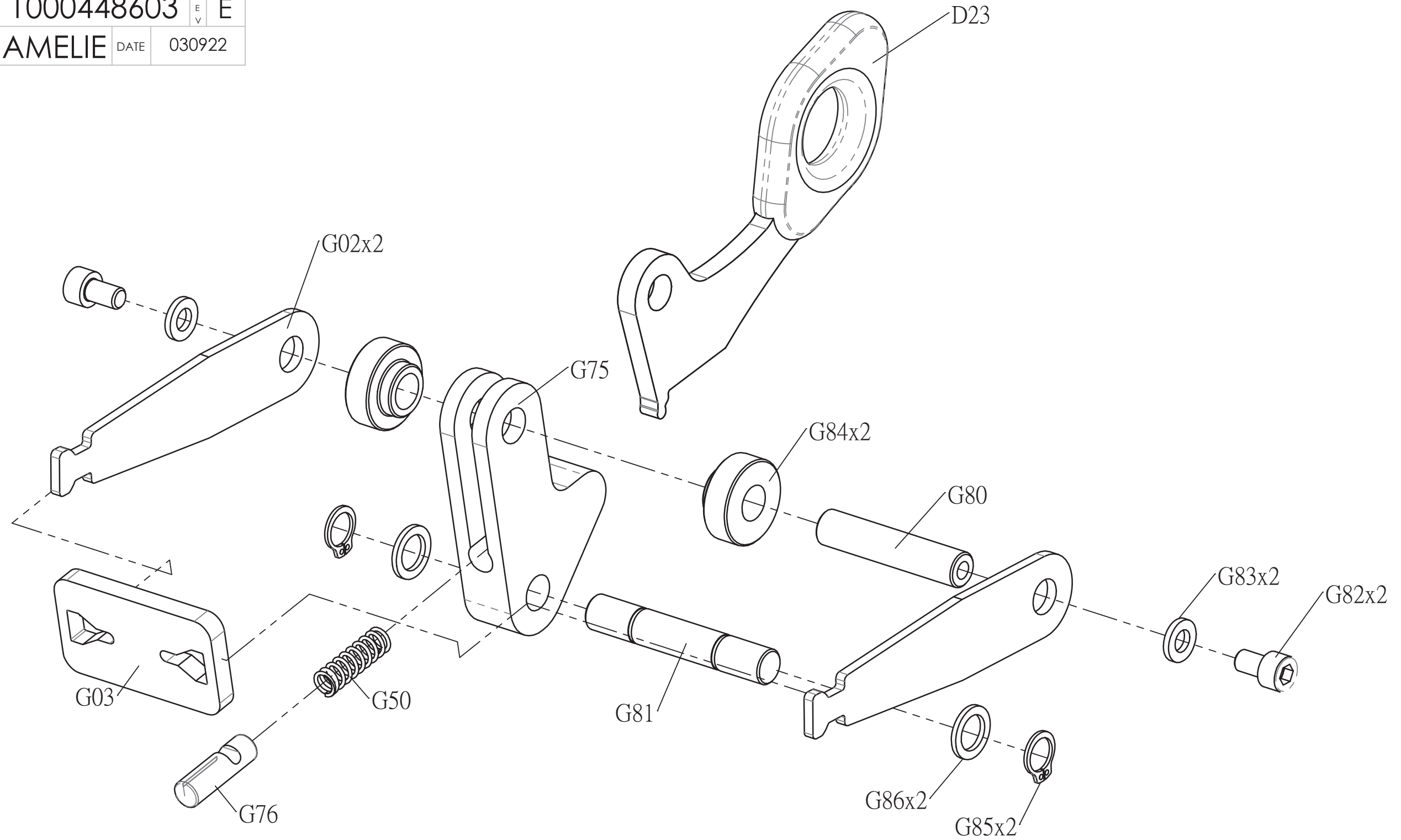
DRAWING NO	FC24-AD25		
PART NAME	Handlebar Set;Fixing		
PART NO	1000448479	REV	B
APPROVE	Benson	DATE	20191219



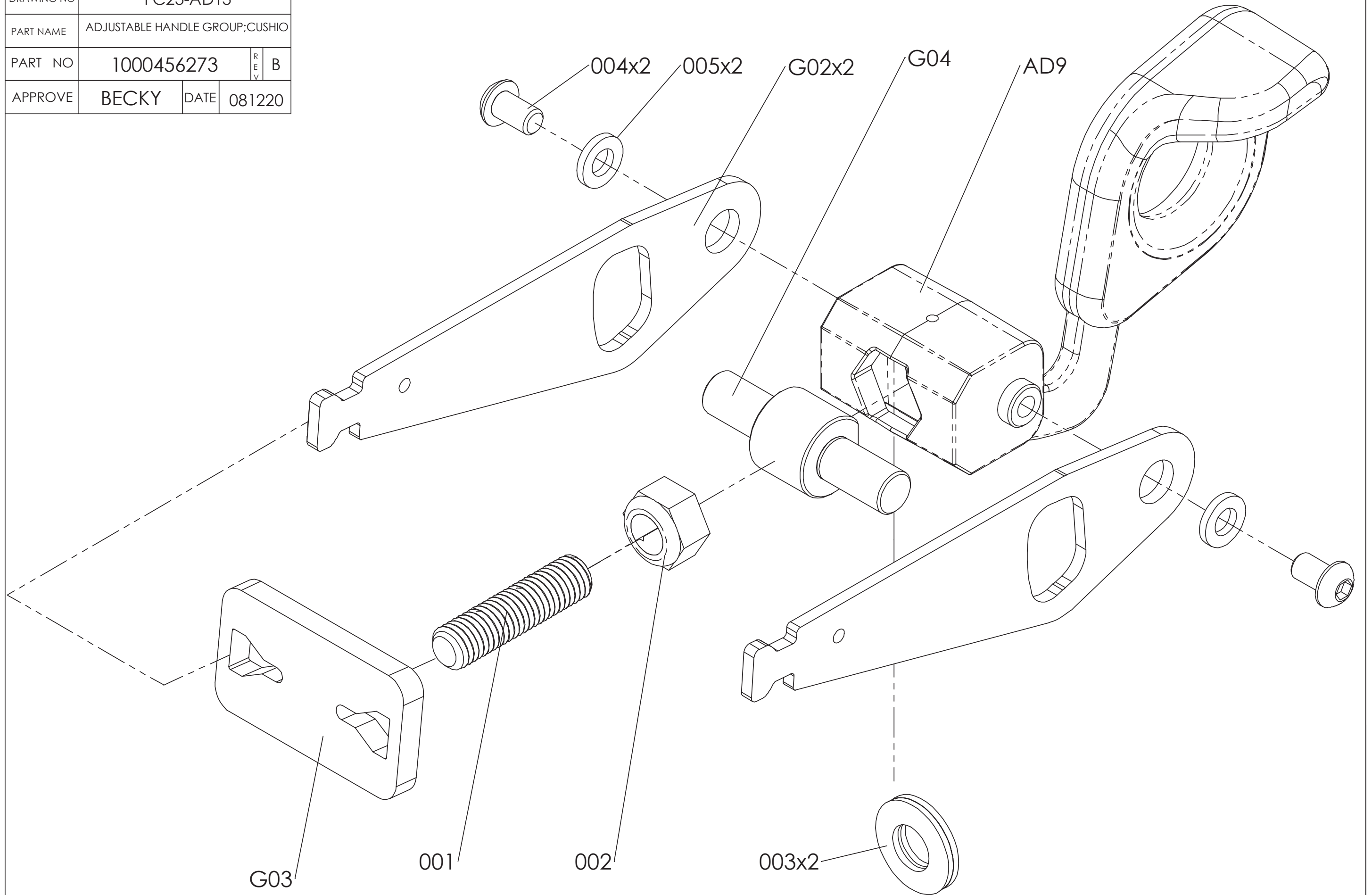
DRAWING NO	FC24-AD27		
PART NAME	Adjustable Handle Group		
PART NO	1000448487	REV	B
APPROVE	Benson	DATE	20191219



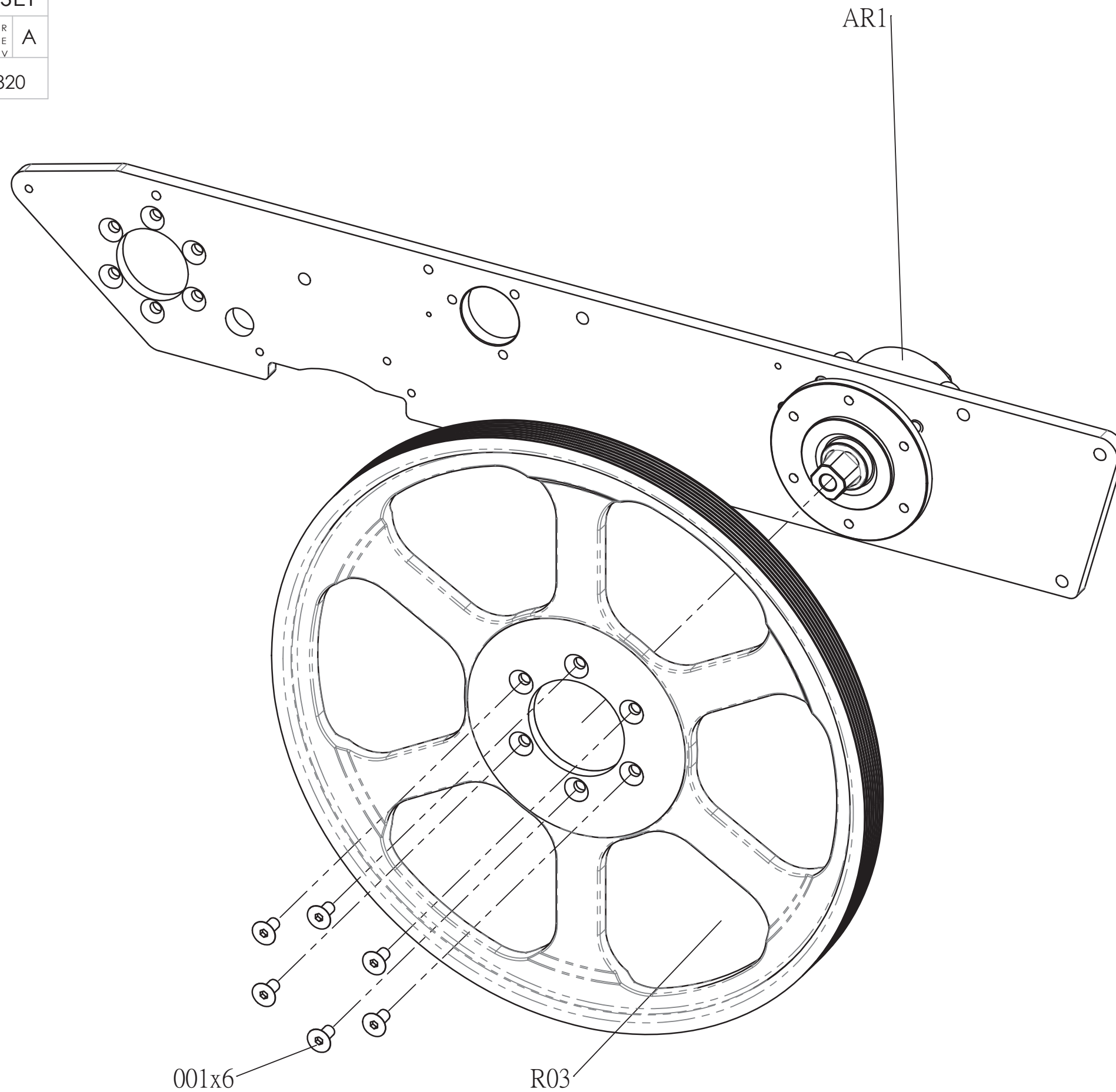
DRAWING NO	FC27-AD14		
PART NAME	ADJUSTABLE HANDLE GROUP;CUSHIONS		
PART NO	1000448603	REV	E
APPROVE	AMELIE	DATE	030922



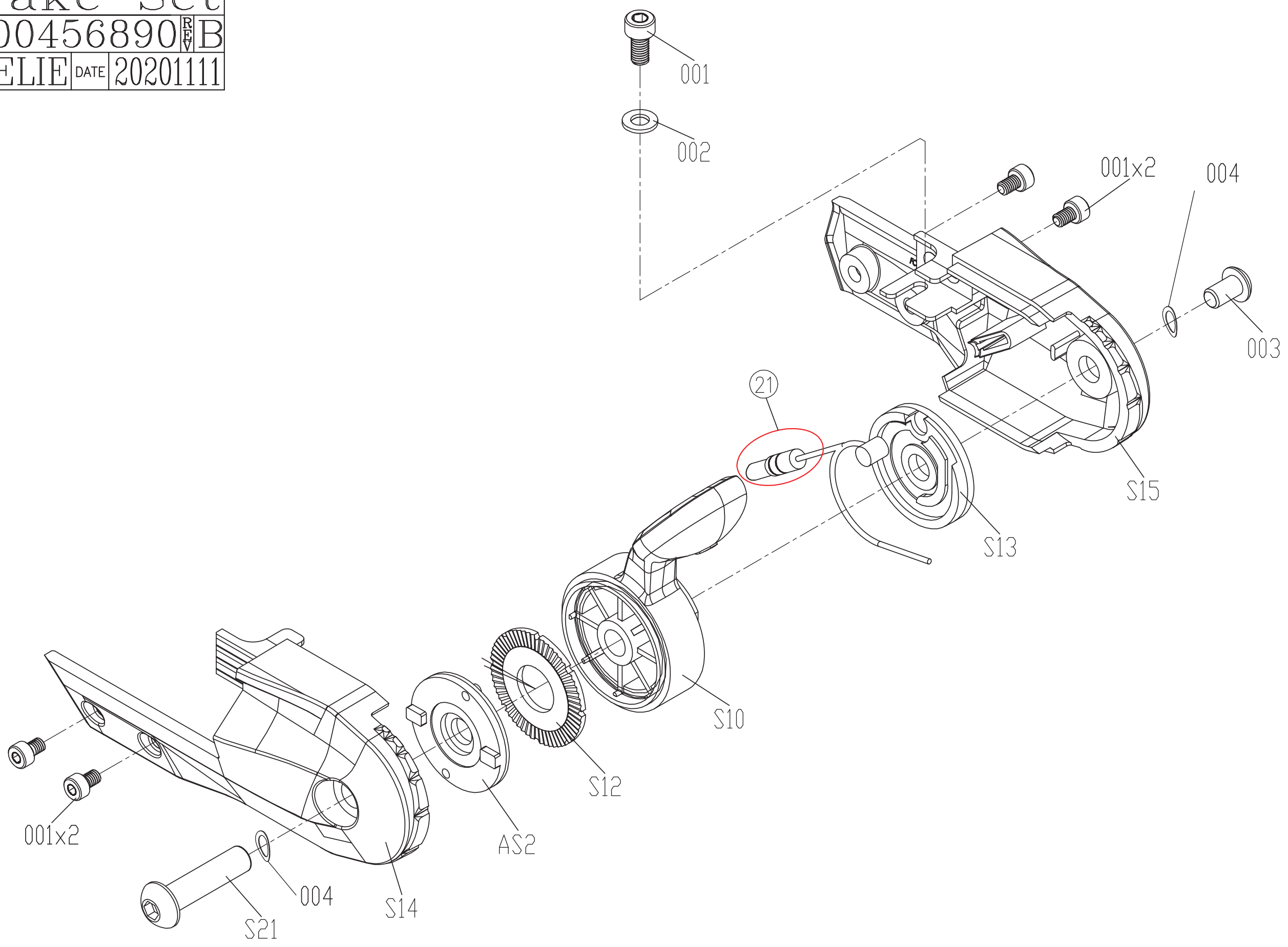
DRAWING NO	FC23-AD13		
PART NAME	ADJUSTABLE HANDLE GROUP;CUSHIO		
PART NO	1000456273	REV	B
APPROVE	BECKY	DATE	081220



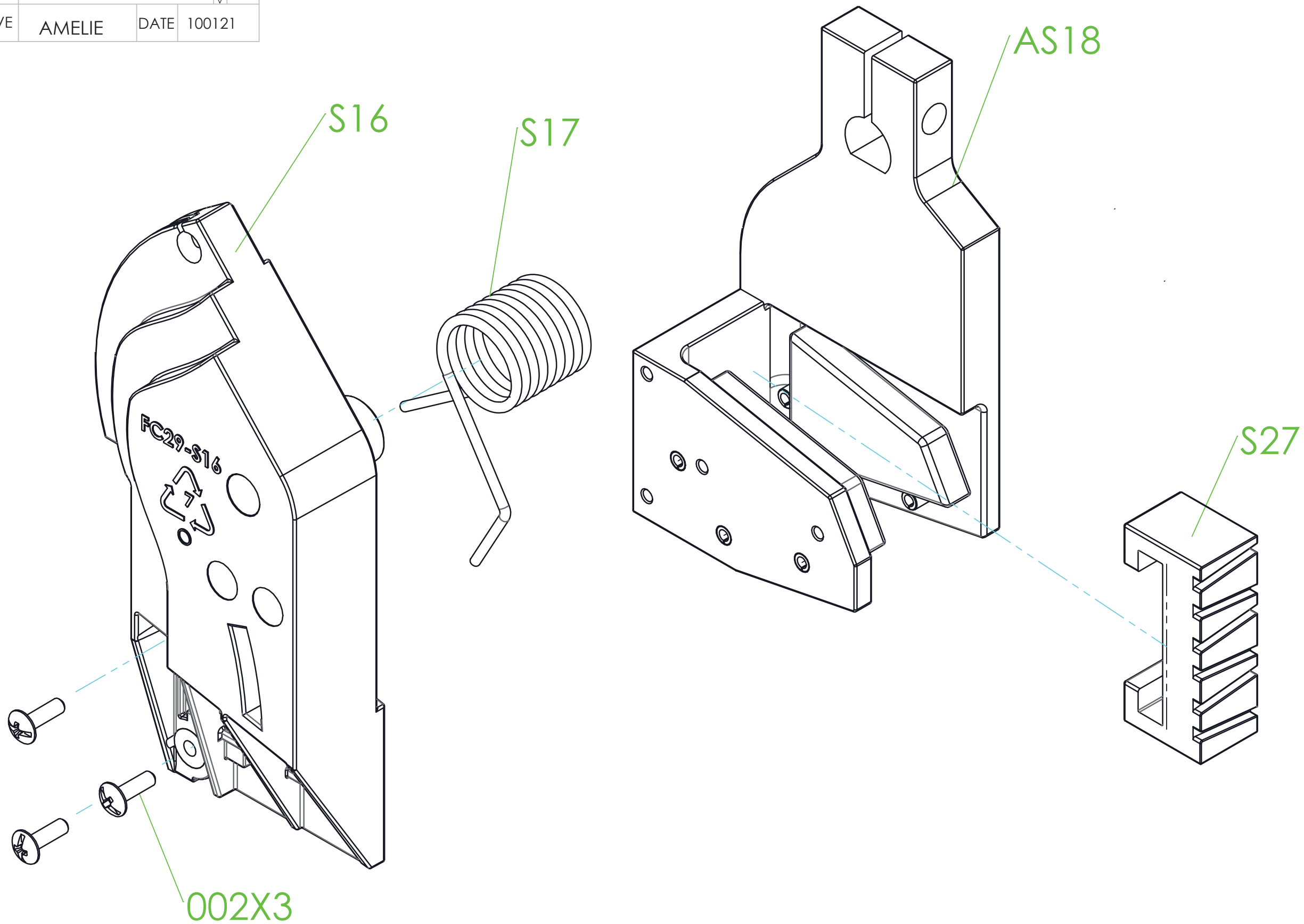
DRAWING NO	FC29-AR11		
PART NAME	TRANSMISSION SET		
PART NO	1000456874	REV	A
APPROVE	AMELIE	DATE	100820



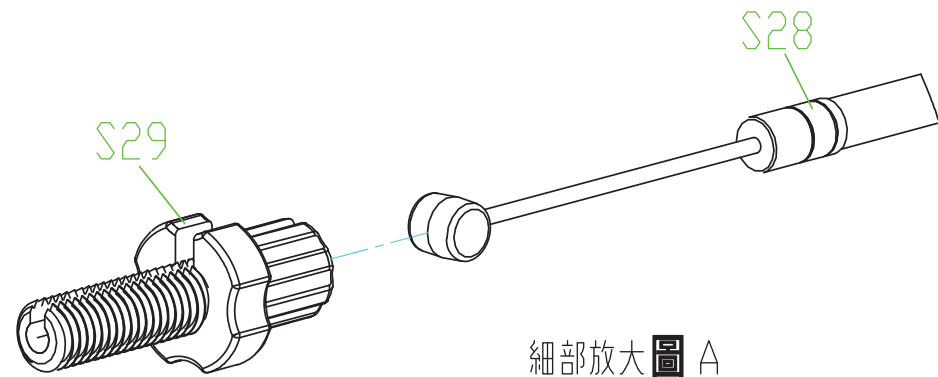
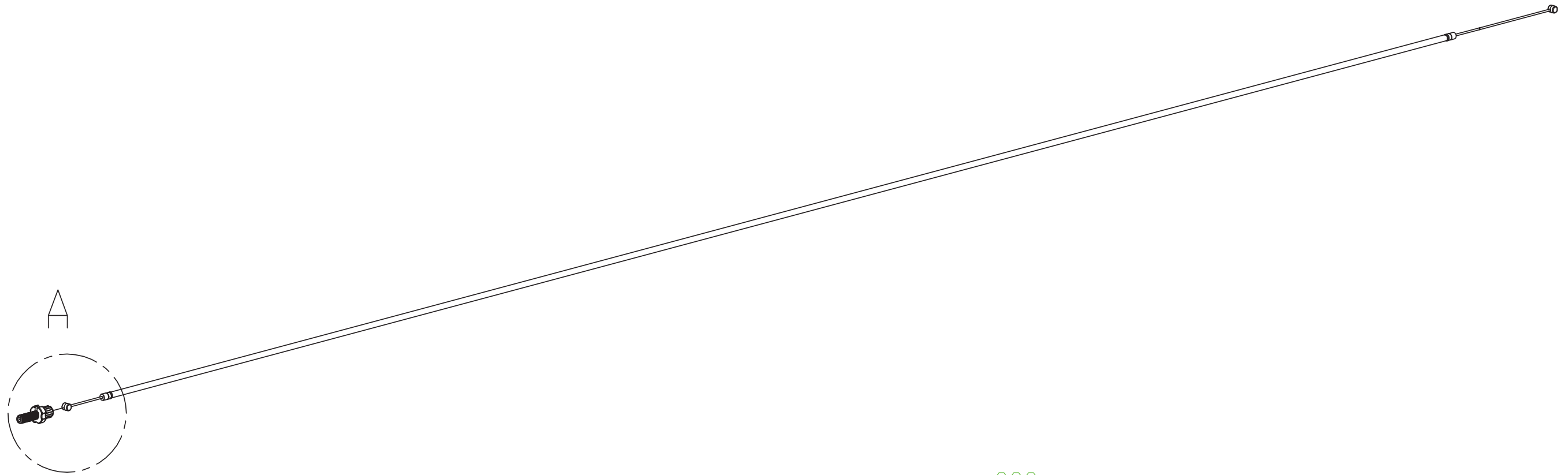
DRAWING NO	FC29-AS1		
PART NAME	Brake Set		
PART NO	1000456890 <small>REV B</small>		
APPROVE	AMELIE	DATE	20201111



DRAWING NO	FC29-AS16		
PART NAME	ECB GENERATOR SET		
PART NO	1000456891	REV	E
APPROVE	AMELIE	DATE	100121

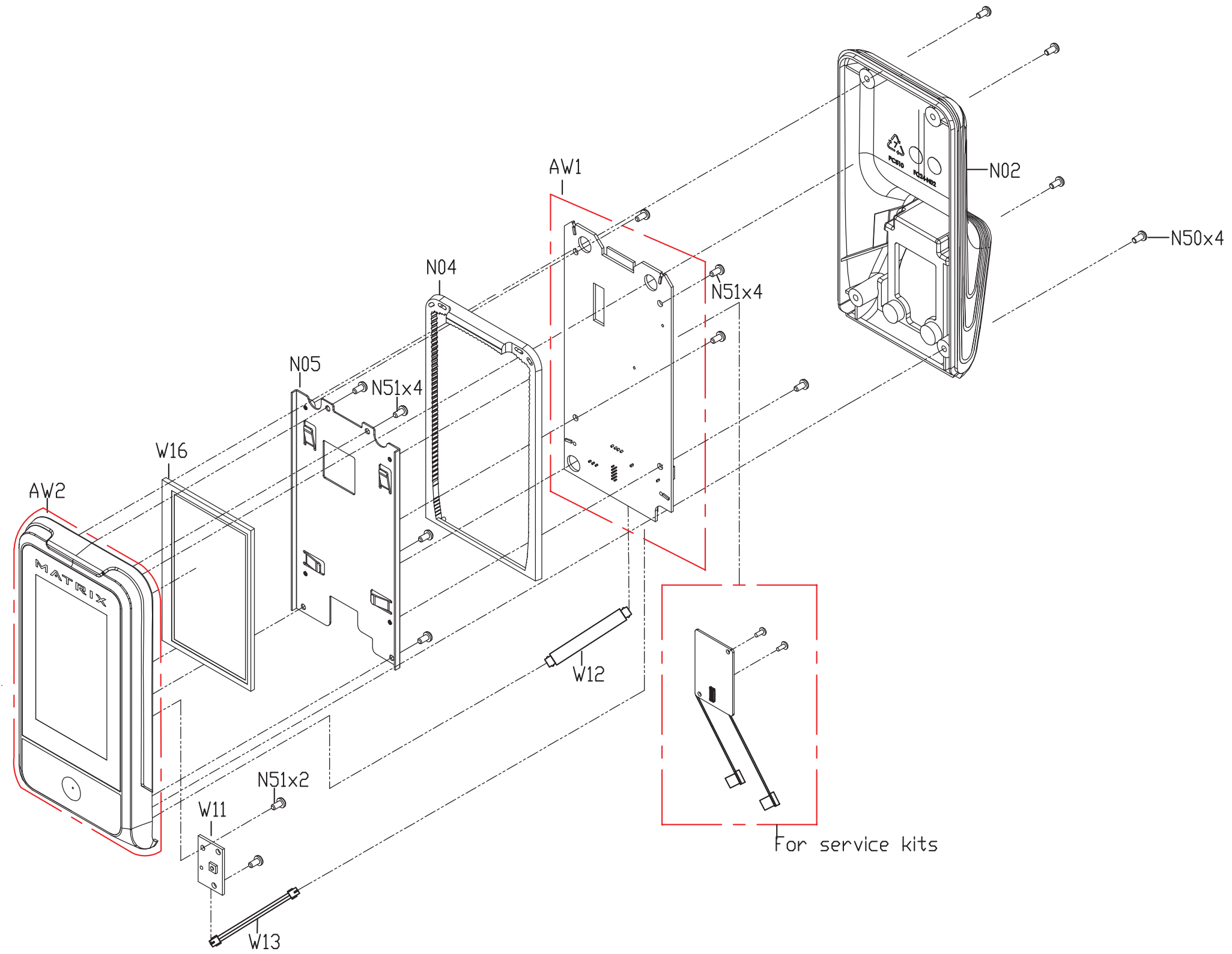


DRAWING NO	FC29-AS3		
PART NAME	Steel Rope Set		
PART NO	1000460332	REV	B
APPROVE	Amelie	DATE	20201112



細部放大圖 A
比例 1:1

DRAWING NO	FC34-AN1		
PART NAME	Console set;Semi-Assy		
PART NO	1000460866A		
APPROVE	AMELIE	DATE	20201223



DRAWING NO	FC29-AJ12		
PART NAME	STABILIZER TUBE SET;;BACK		
PART NO	1000466049	REV	B
APPROVE	BLAZER	DATE	050521

