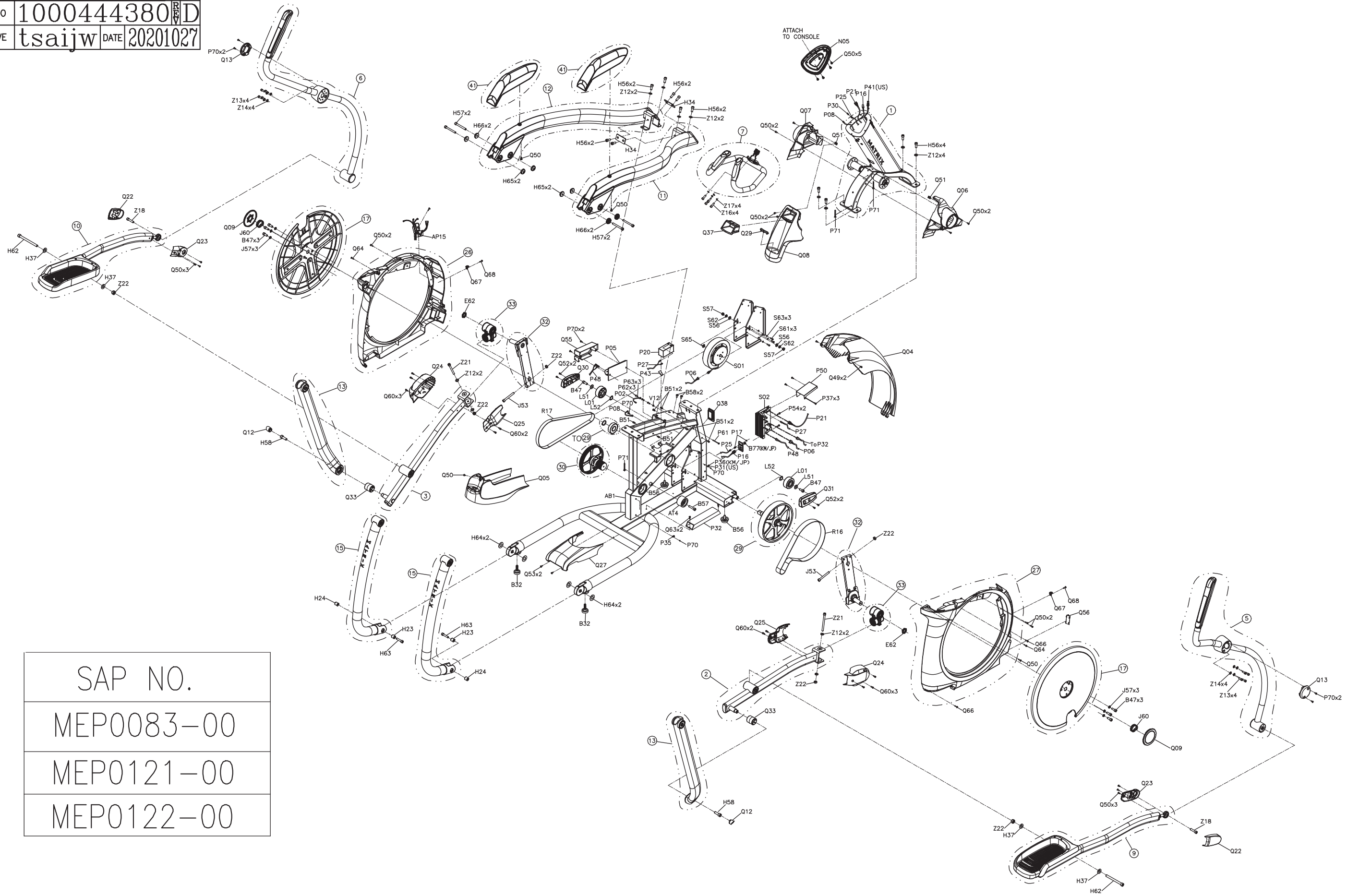
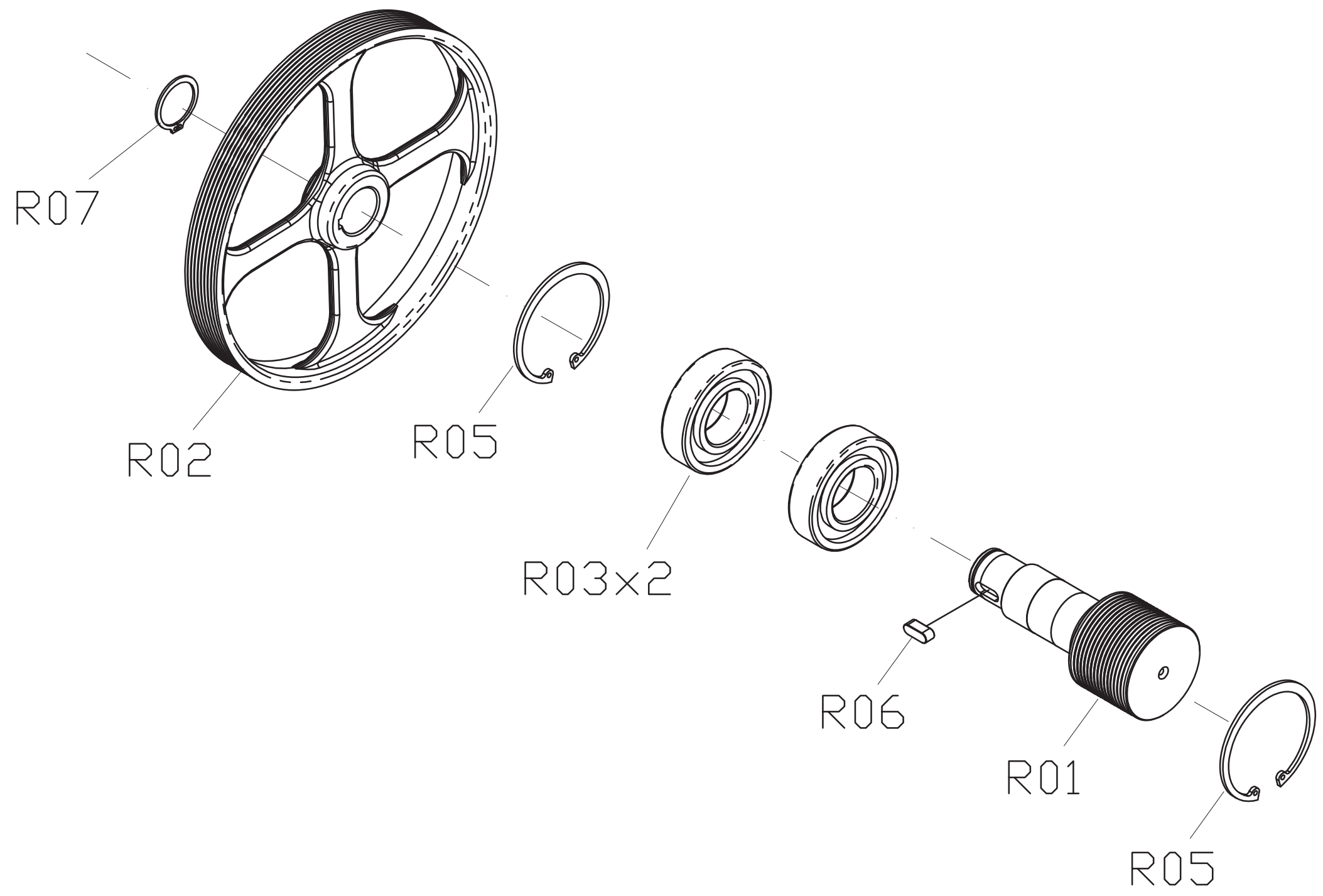


DRAWING NO	EP304-A14
PART NAME	EXPLODED DRAWING
PART NO	1000444380 D
APPROVE	tsaijw DATE 20201027



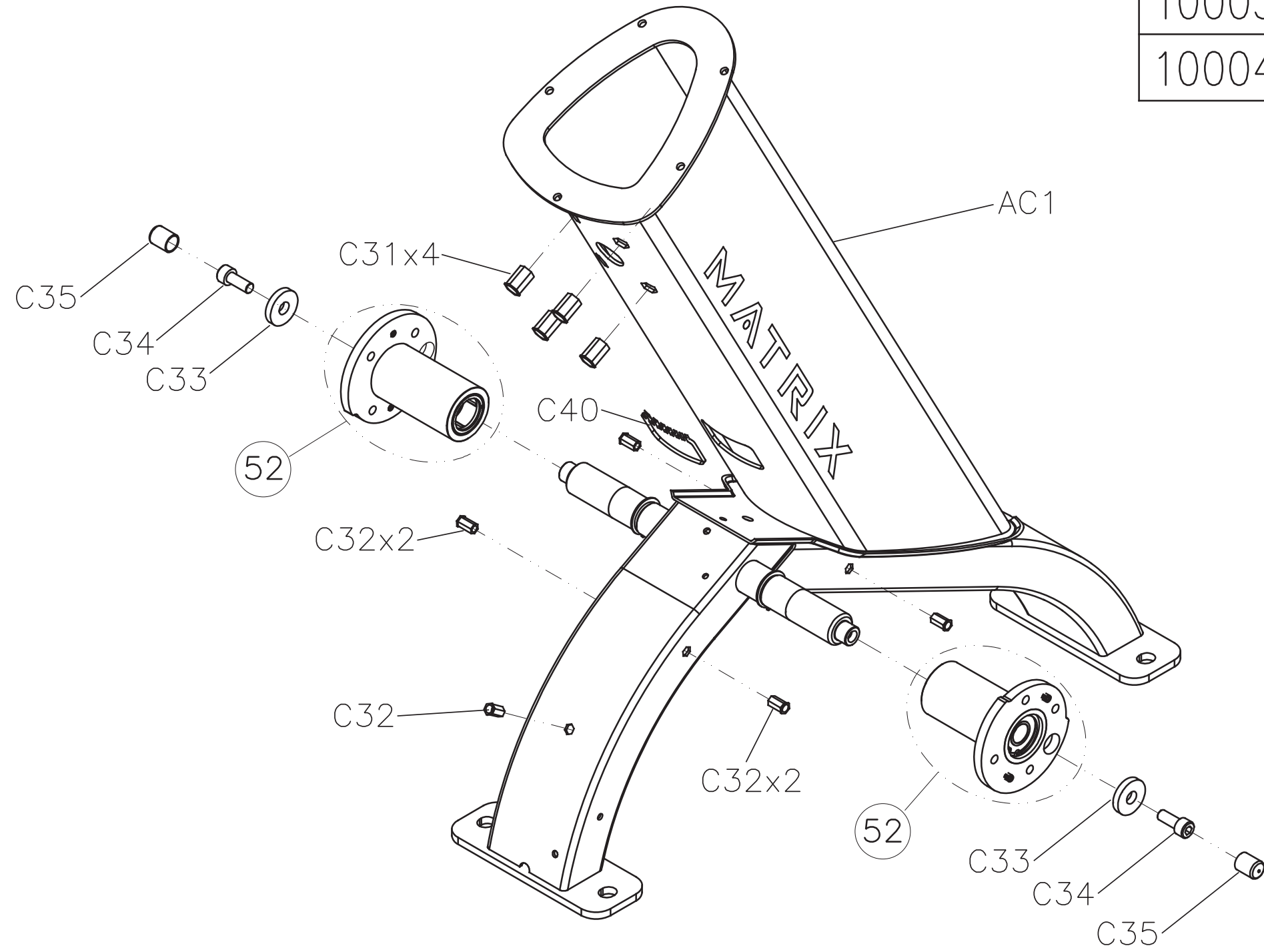
SAP NO.
MEP0083-00
MEP0121-00
MEP0122-00


DRAWING NO	EP78-AR11		
PART NAME	PULLEY SET		
PART NO	0000089635 ^{REV} B		
APPROVE	tsaijw	DATE	112910



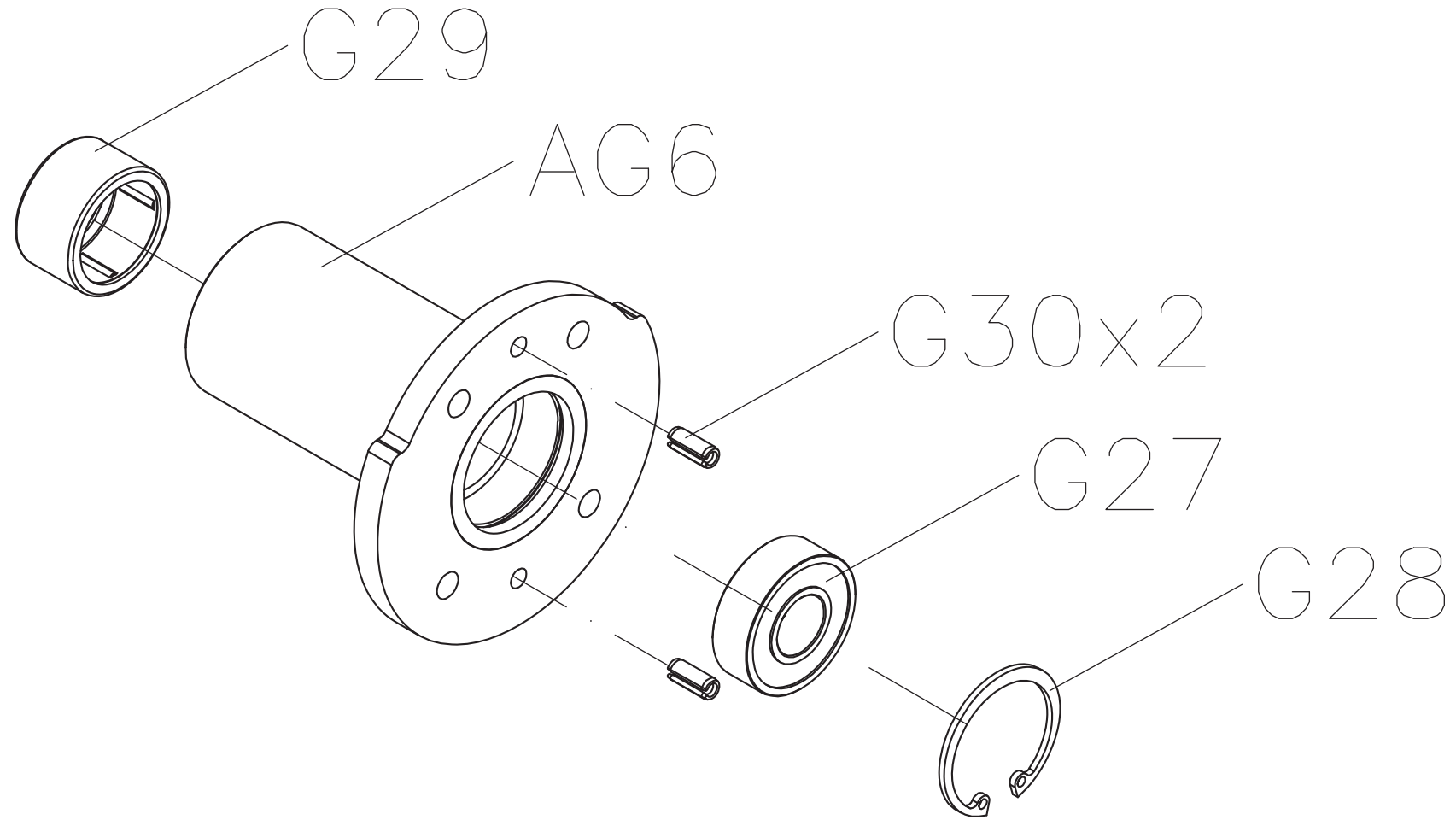
DRAWING NO	EP304-AC11		
PART NAME	CONSOLE MAST SET		
PART NO	See attached chart  H		
APPROVE	CASTIEL	DATE	20181024

SAP No.	Description
0000094938	SLIVER
1000338327	PURPLE
1000338498	BLACK MATTE
1000346538	SUN ORANGE
1000428253	RAL4008 LIGHT PURPLE

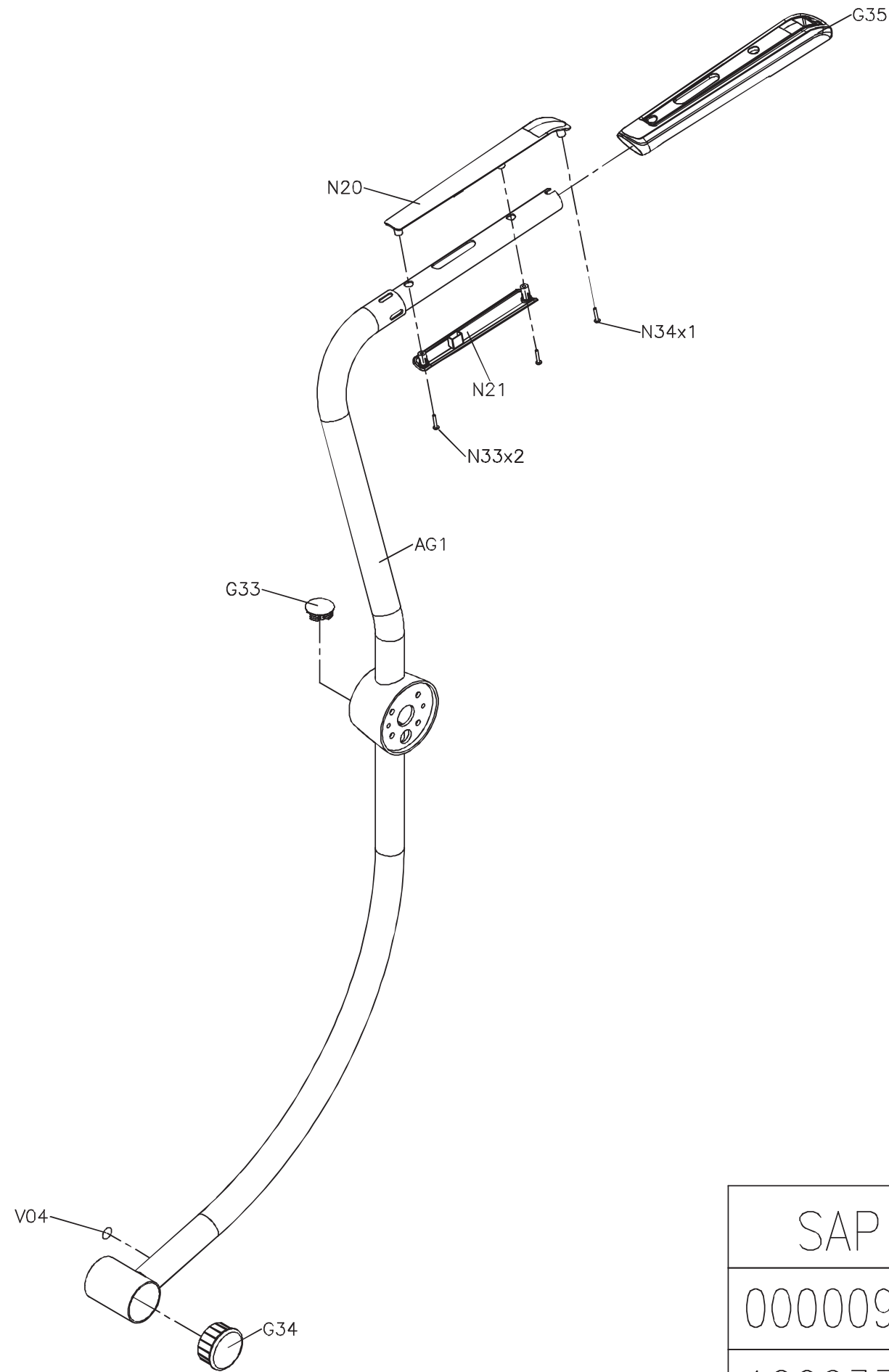


DRAWING NO	EP304-AG15		
PART NAME	ROTATION HOUSING ASSEMBLY SET		
PART NO	See attached chart  D		
APPROVE	Addie	DATE	20210722

SAP No.	Description
0000094951	BAN
1000469139	Paint

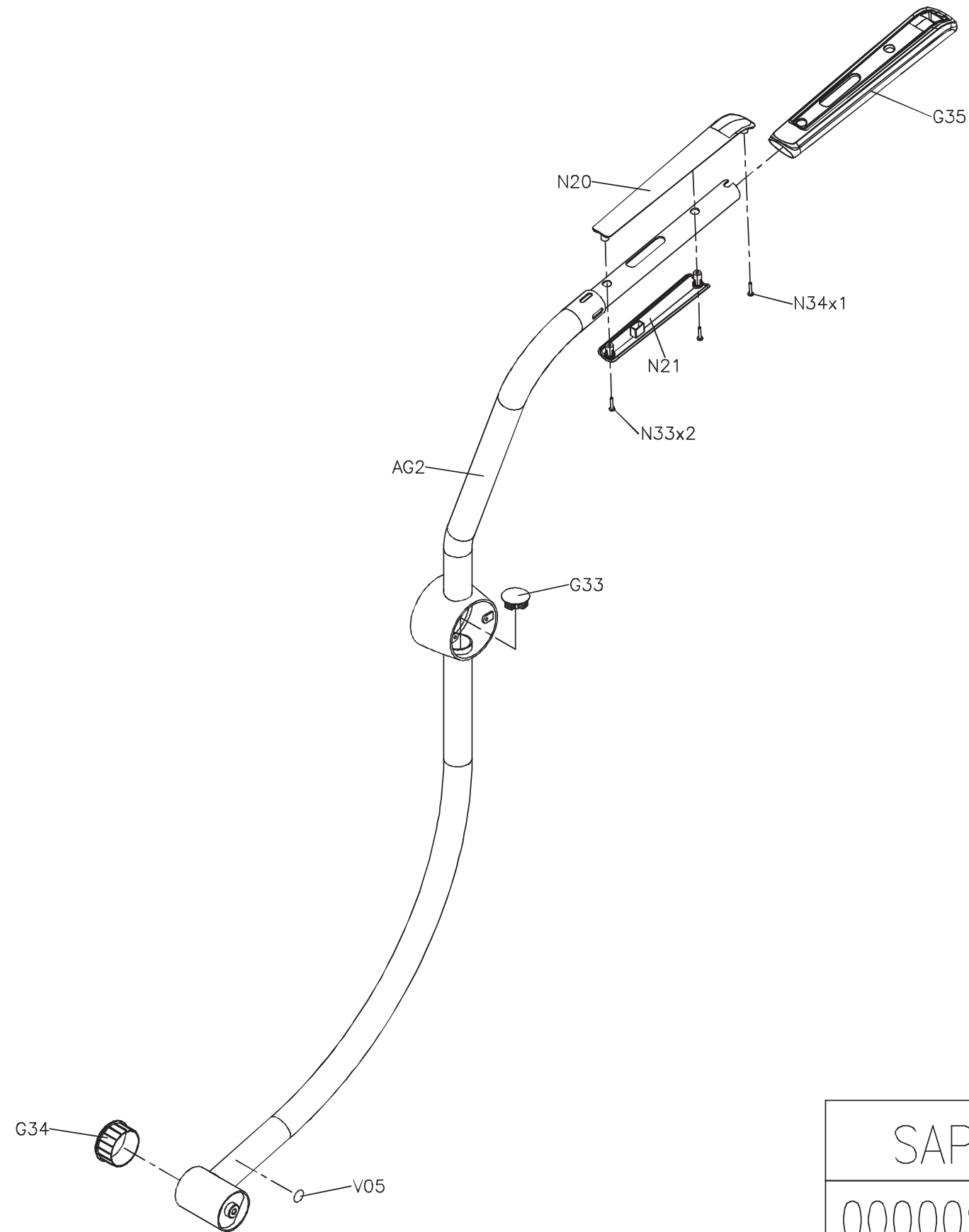


DRAWING NO	EP304-AG12		
PART NAME	LEFT HANDLEBAR SET		
PART NO	See attached ^R / _E / _V / _C		
APPROVE	Hunter	DATE	120213



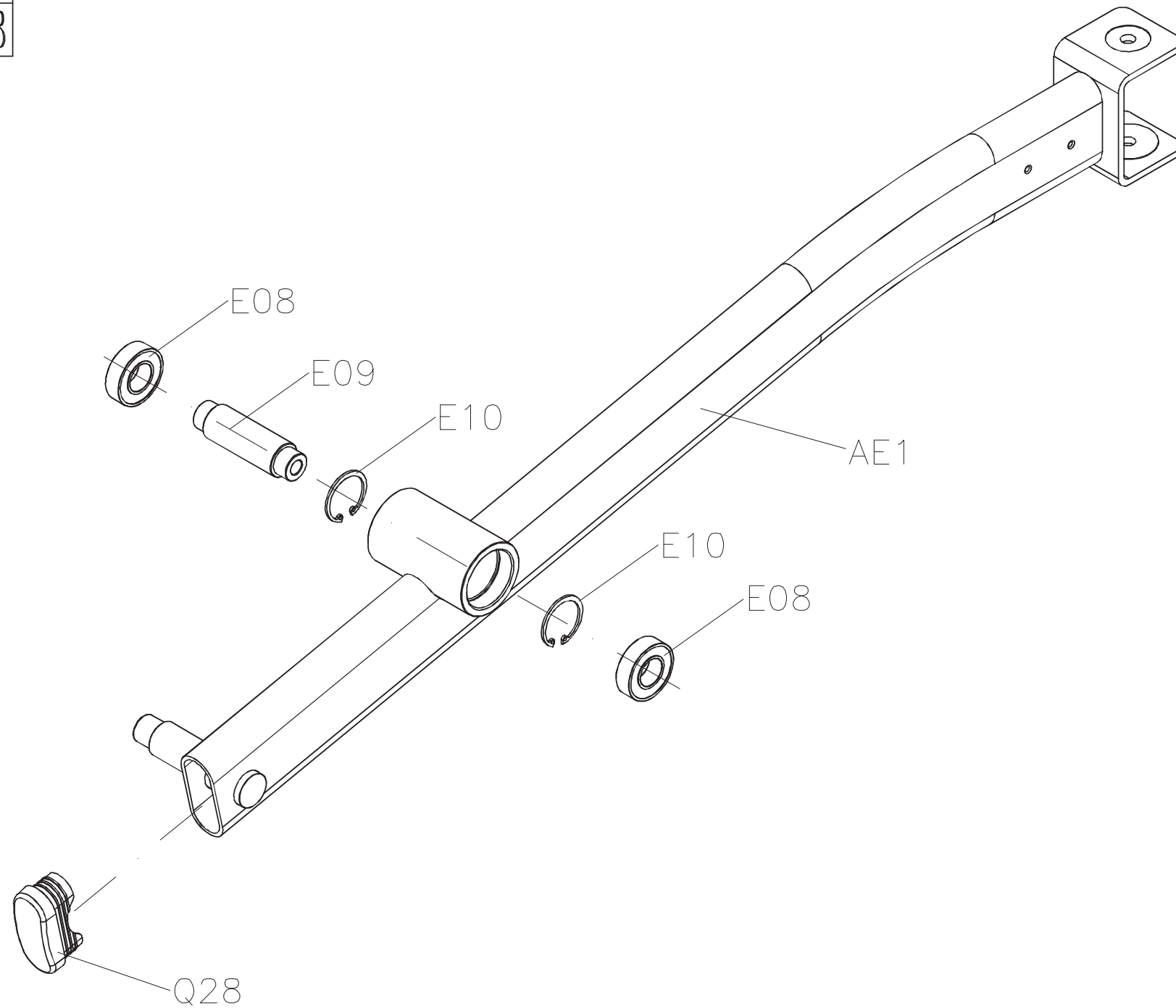
SAP NO.	Description
0000094977	SLIVER
1000338509	Matte black

DRAWING NO	EP304-AG11		
PART NAME	RIGHT HANDLEBAR SET		
PART NO	See attached ^R _E ^V _E C		
APPROVE	Hunter	DATE	120213



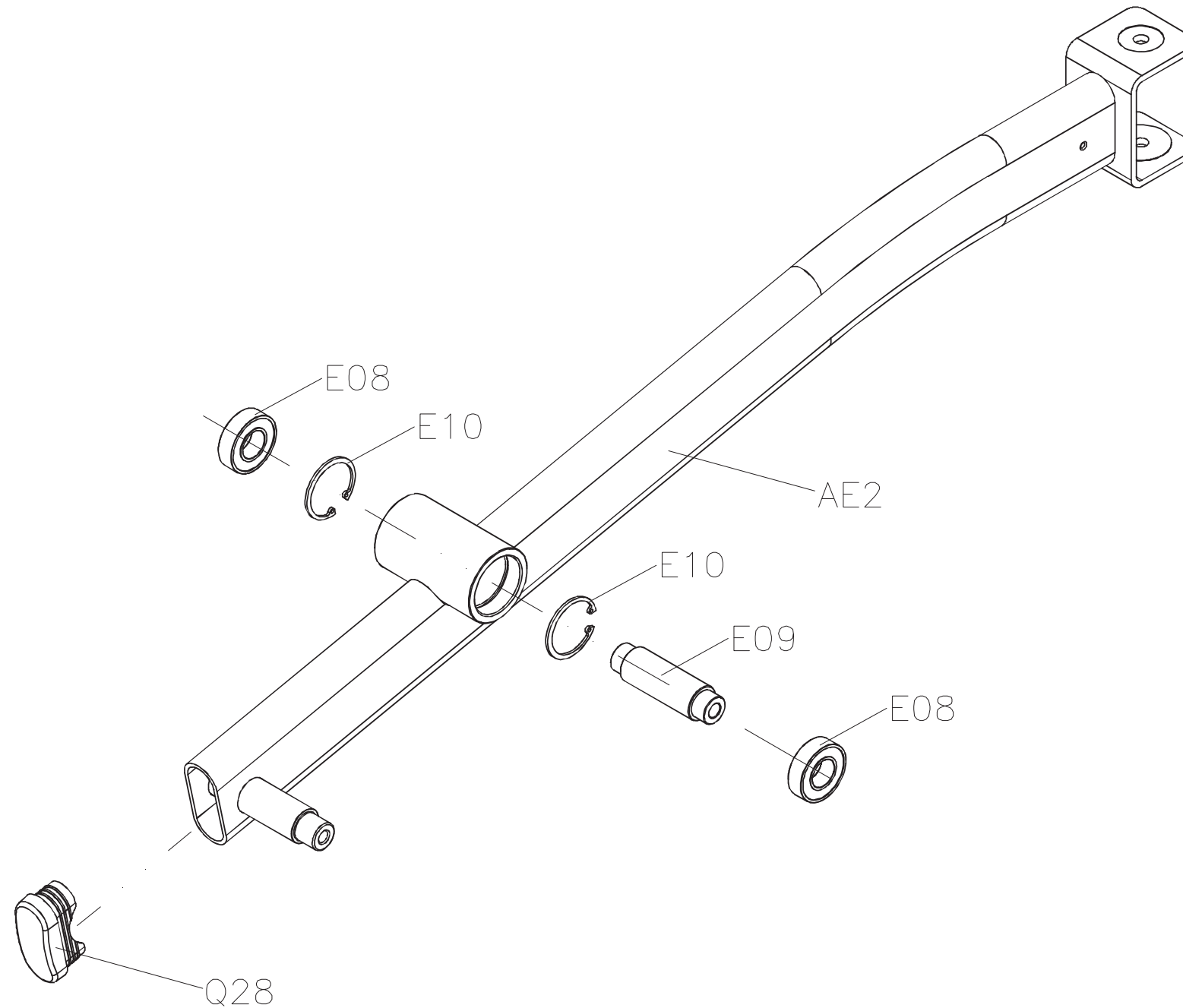
SAP NO.	Description
0000094964	SLIVER
1000338507	Matte black

DRAWING NO	EP304-AE12		
PART NAME	LEFT PEDAL ARM SET		
PART NO	See attached ^R _V B		
APPROVE	Hunter	DATE	120213



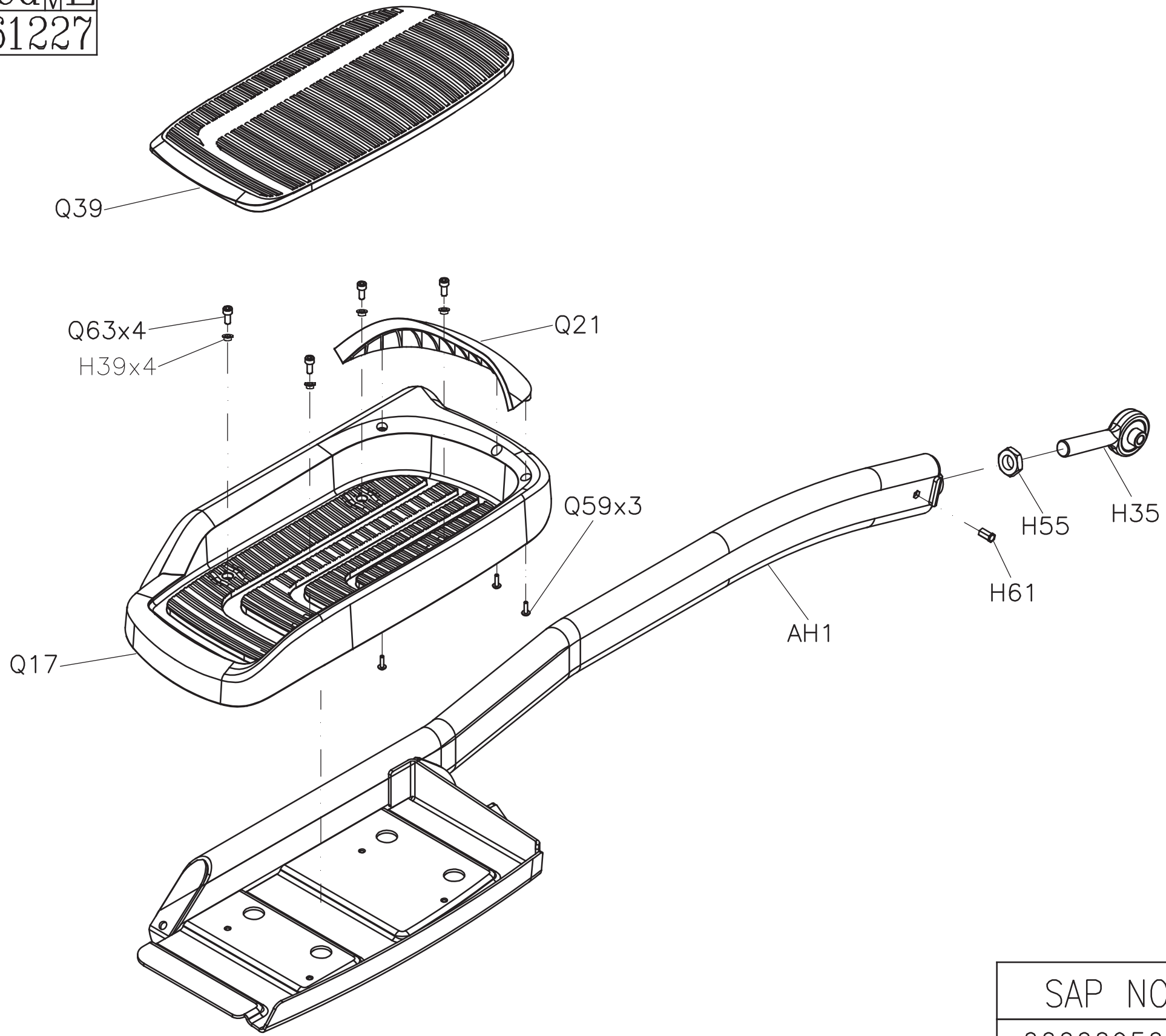
SAP NO.	Description
0000094991	SLIVER
1000338504	Matte black

DRAWING NO	EP304-AE11		
PART NAME	RIGHT PEDAL ARM SET		
PART NO	See attached ^R / _V B		
APPROVE	Hunter	DATE	120213



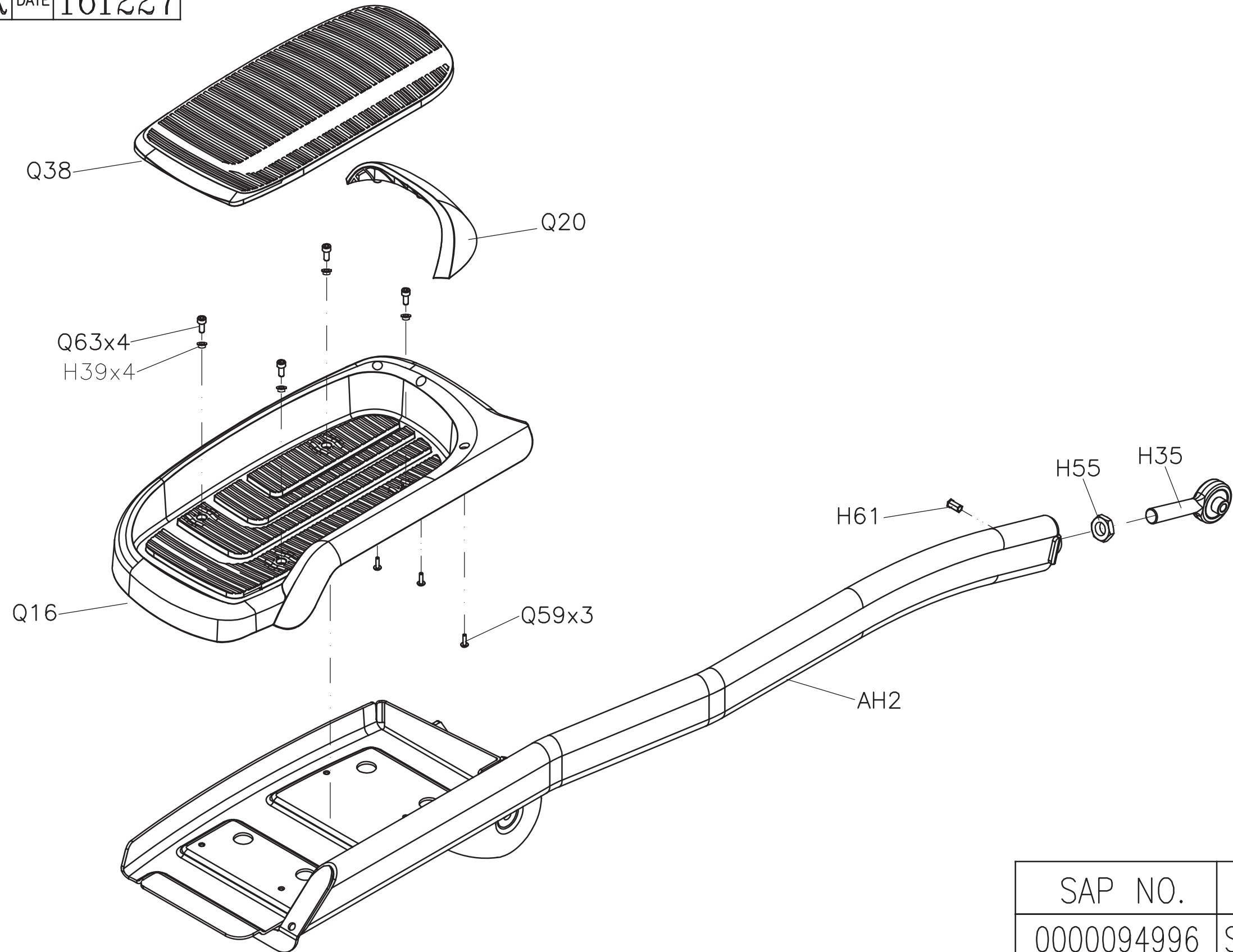
SAP NO.	Description
0000094984	SLIVER
1000338500	Matte black

DRAWING NO	EP304-AH22		
PART NAME	LEFT LOWER LINK ARM SET		
PART NO	See attached ^R / _V E		
APPROVE	AMBER	DATE	161227



SAP NO.	Description
0000095003	SLIVER
1000338516	Matte black

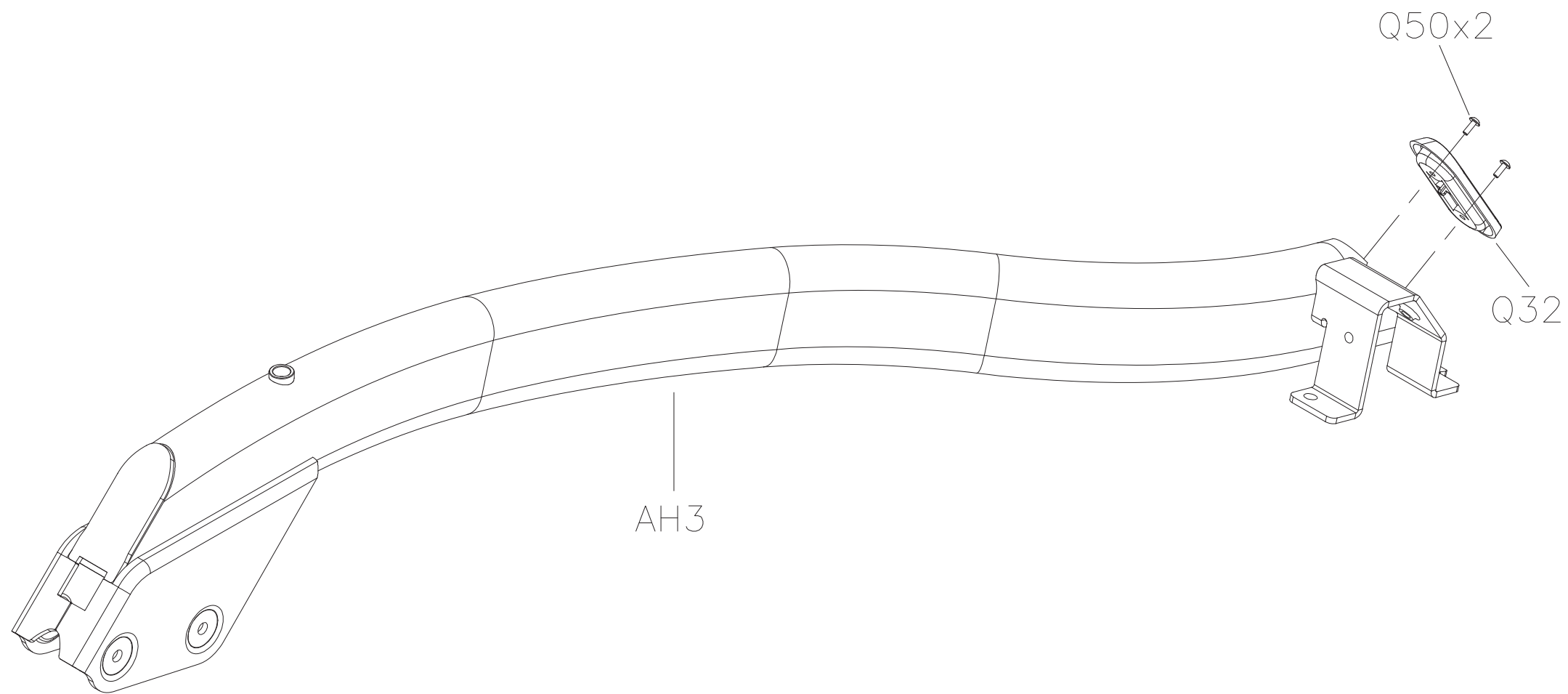
DRAWING NO	EP304-AH21		
PART NAME	RIGHT LOWER LINK ARM SET		
PART NO	See attached ^R _E		
APPROVE	AMBER	DATE	161227



SAP NO.	Description
0000094996	SLIVER
1000338514	Matte black

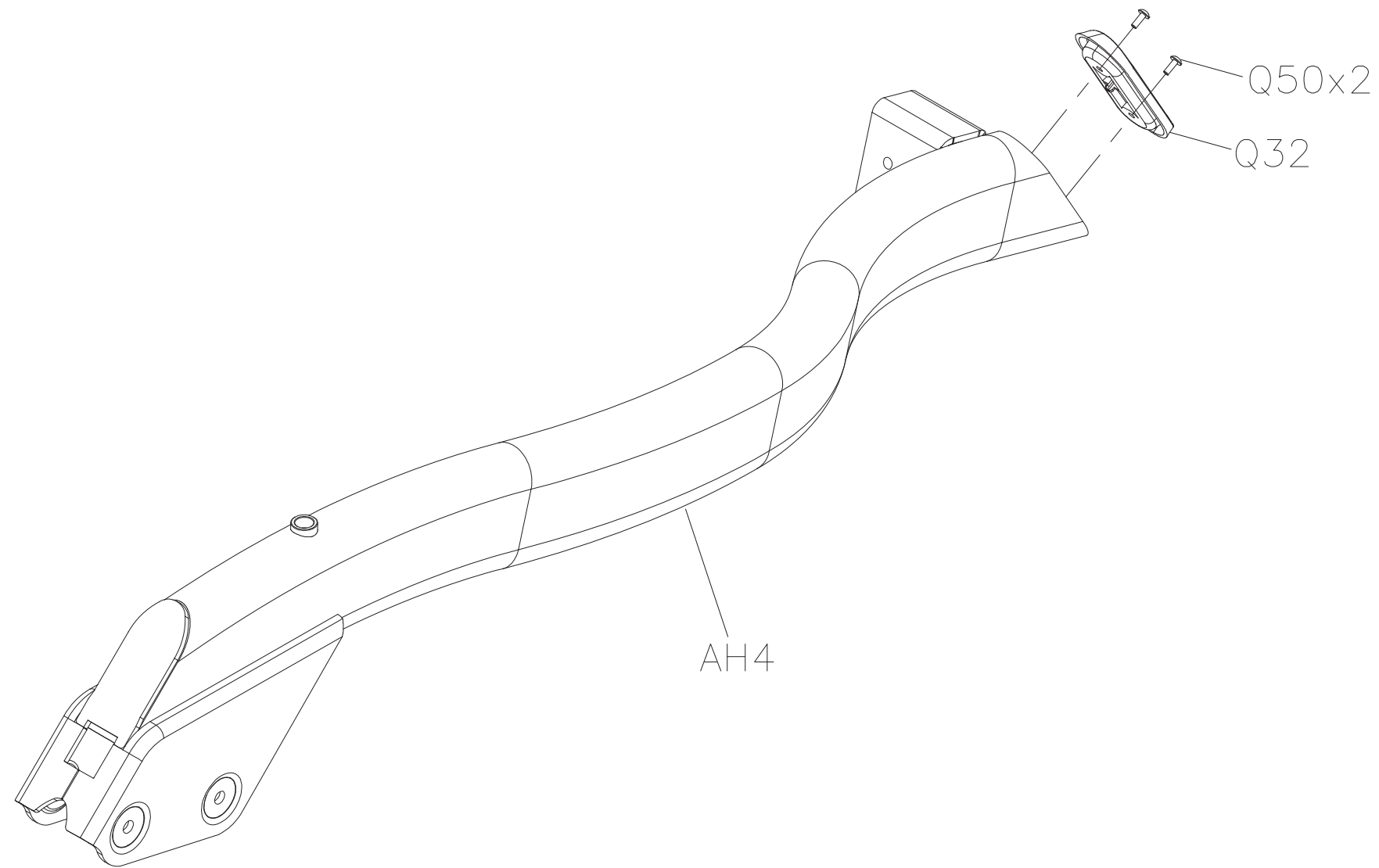
DRAWING NO	EP304-AH24		
PART NAME	LEFT CONNECTION ARM SET		
PART NO	See attached chart  		
APPROVE	tsaijw	DATE	20200710

SAP No.	Description
0000095019	SLIVER
1000348866	BLACK MATTE(Fitness park)
1000348877	BLACK MATTE(moving express)
1000349006	BLACK MATTE(Groupe moving)

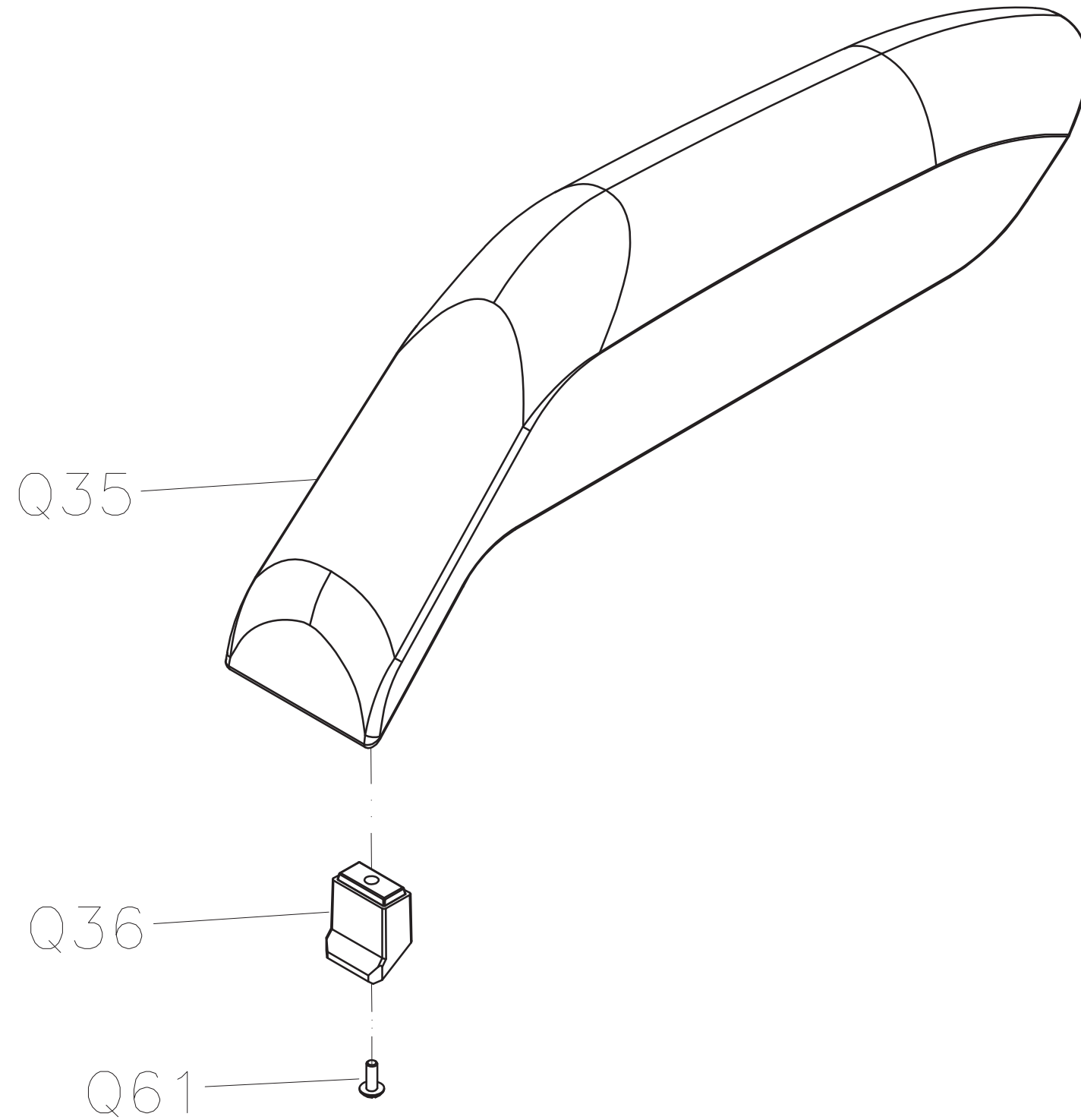


DRAWING NO	EP304-AH23		
PART NAME	RIGHT CONNECTION ARM SET		
PART NO	See attached chart  E		
APPROVE	tsaijw	DATE	20200710

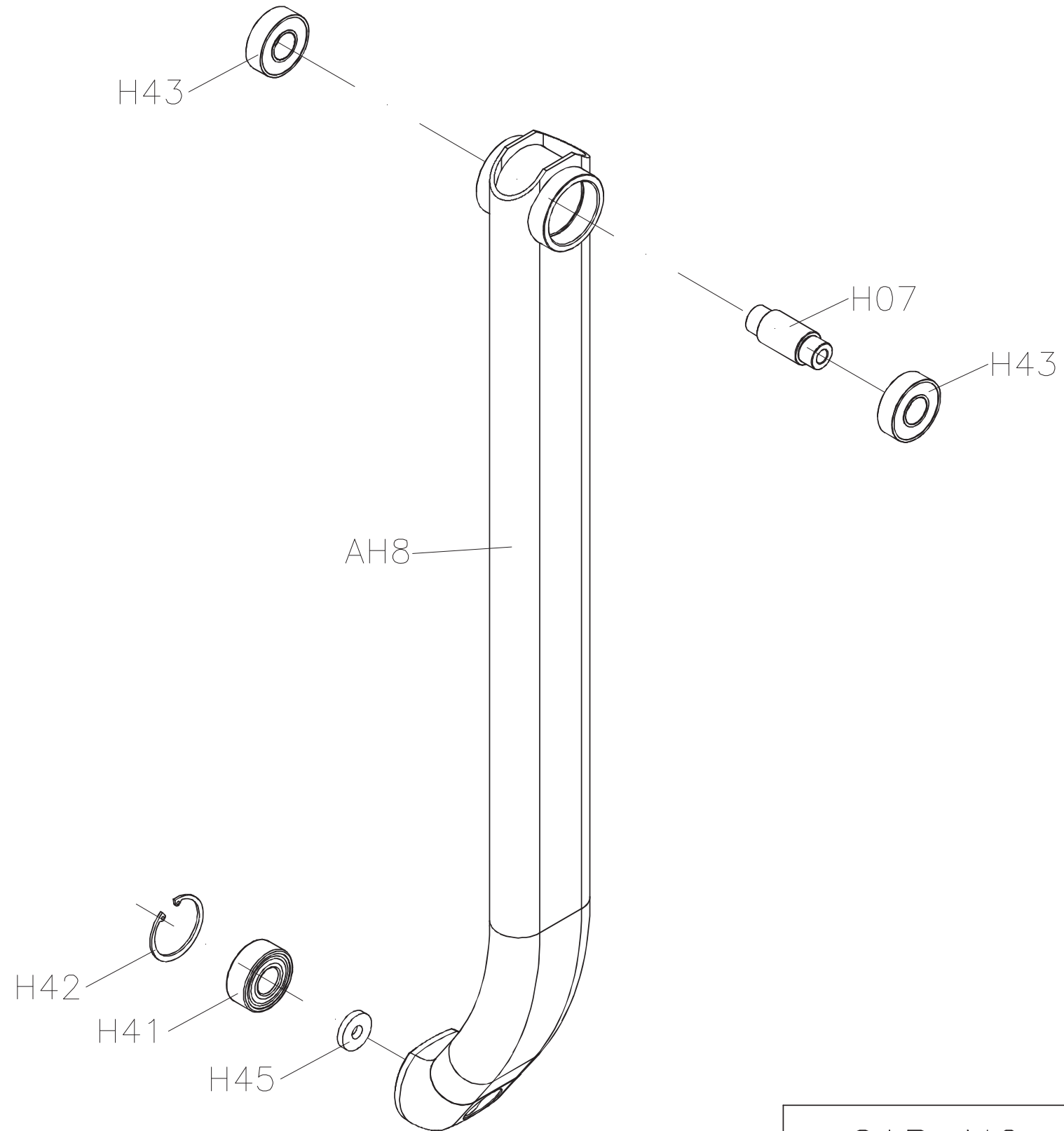
SAP No.	Description
0000095010	SLIVER
1000348863	BLACK MATTE(Fitness park)
1000348875	BLACK MATTE(Moving express)
1000349004	BLACK MATTE(Groupe moving)



DRAWING NO	EP304-AQ21		
PART NAME	Incline arm cover		
PART NO	1000209854 ^R / _E / _A		
APPROVE	MAX	DATE	20101210

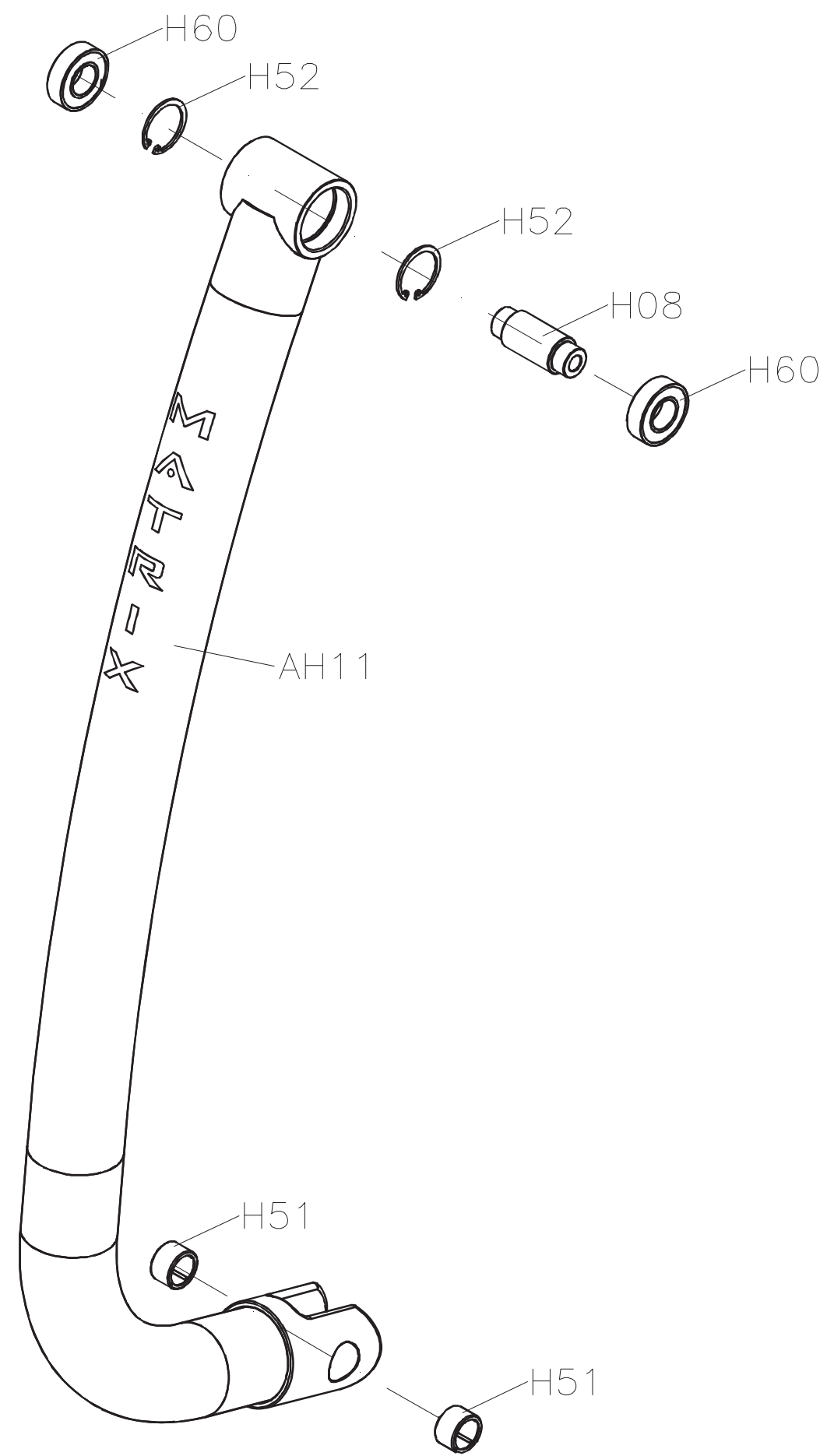


DRAWING NO	EP304-AH25		
PART NAME	SWING ARM SET		
PART NO	See attached ^R _V D		
APPROVE	Hunter	DATE	120213



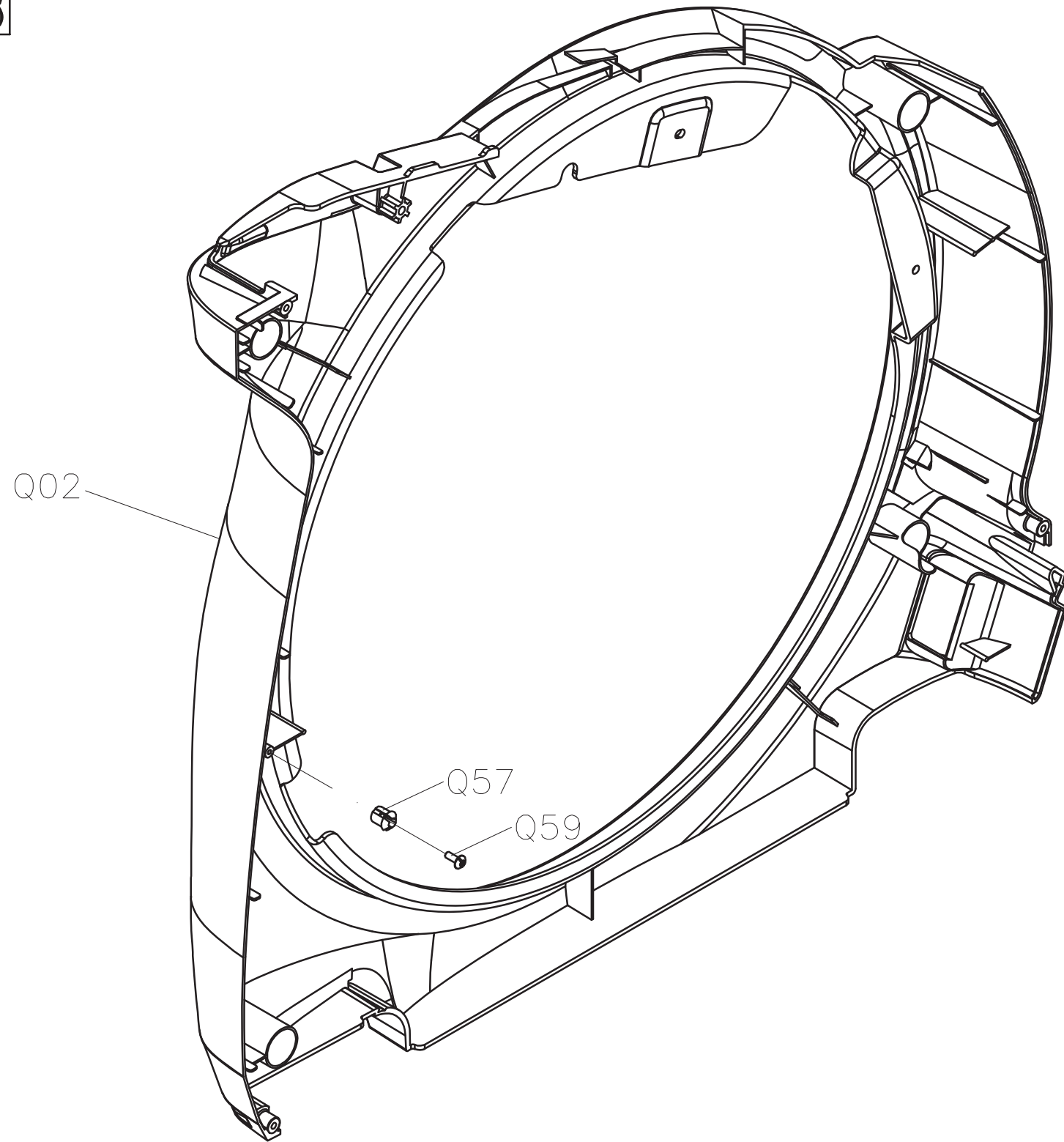
SAP NO.	Description
0000095028	SLIVER
1000338524	Matte black

DRAWING NO	EP304-AH26		
PART NAME	ADJUSTMENT ARM SET		
PART NO	See attached chart REF F		
APPROVE	Hiker	DATE	20150608

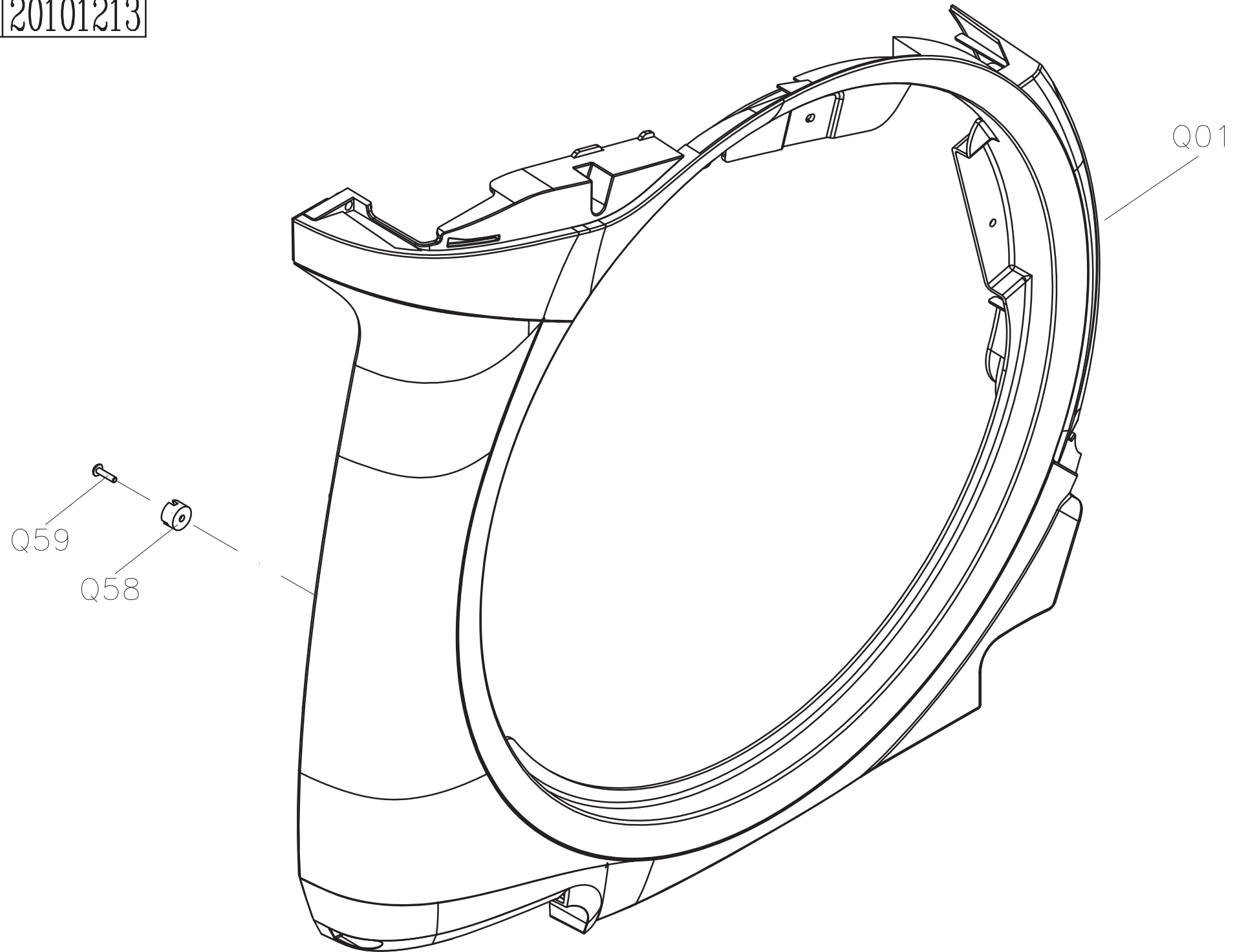


SAP No.	Description
0000095043	SILVER
1000338527	BLACK MATTE
1000346550	SUN ORANGE

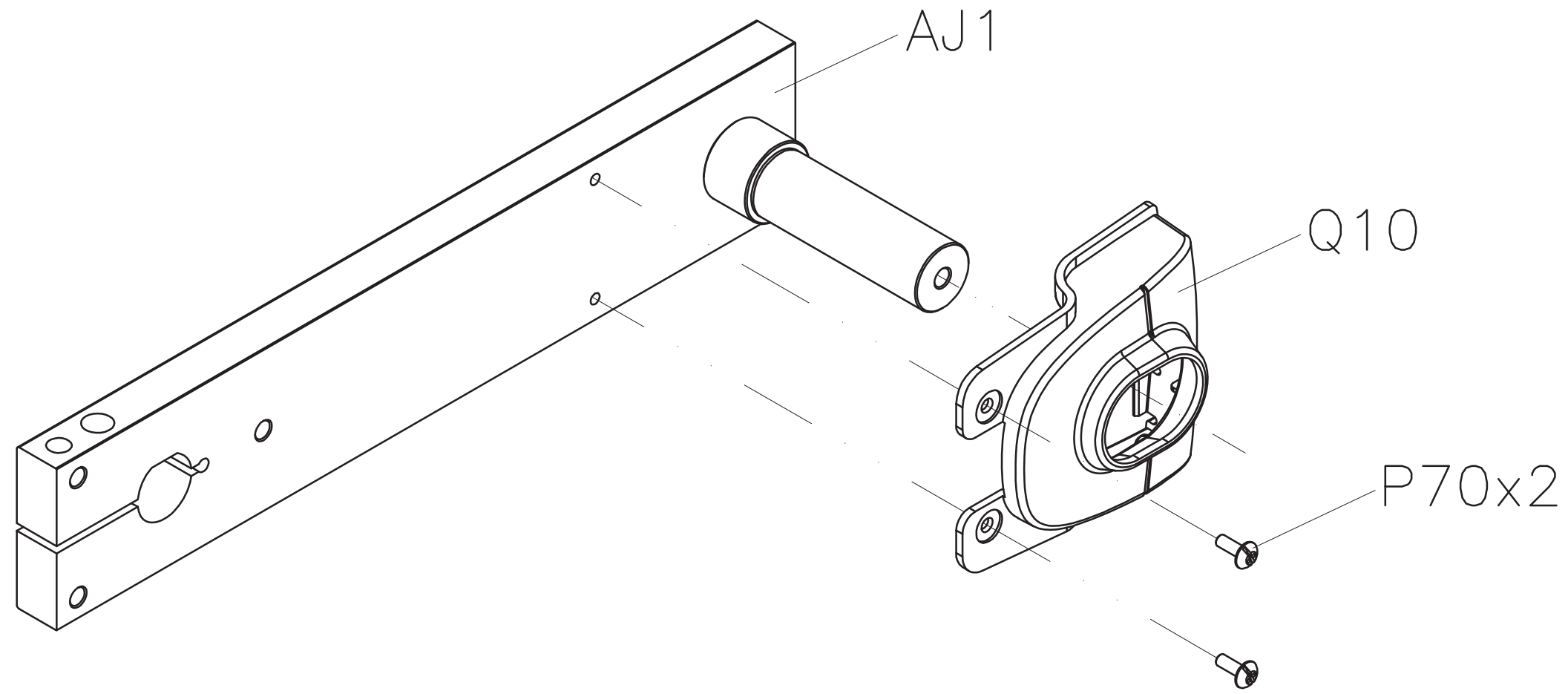
DRAWING NO	EP304-AQ11		
PART NAME	LEFT SIDE COVER SET		
PART NO	0000095068 ^R ₁ A		
APPROVE	tsaijw	DATE	20101213



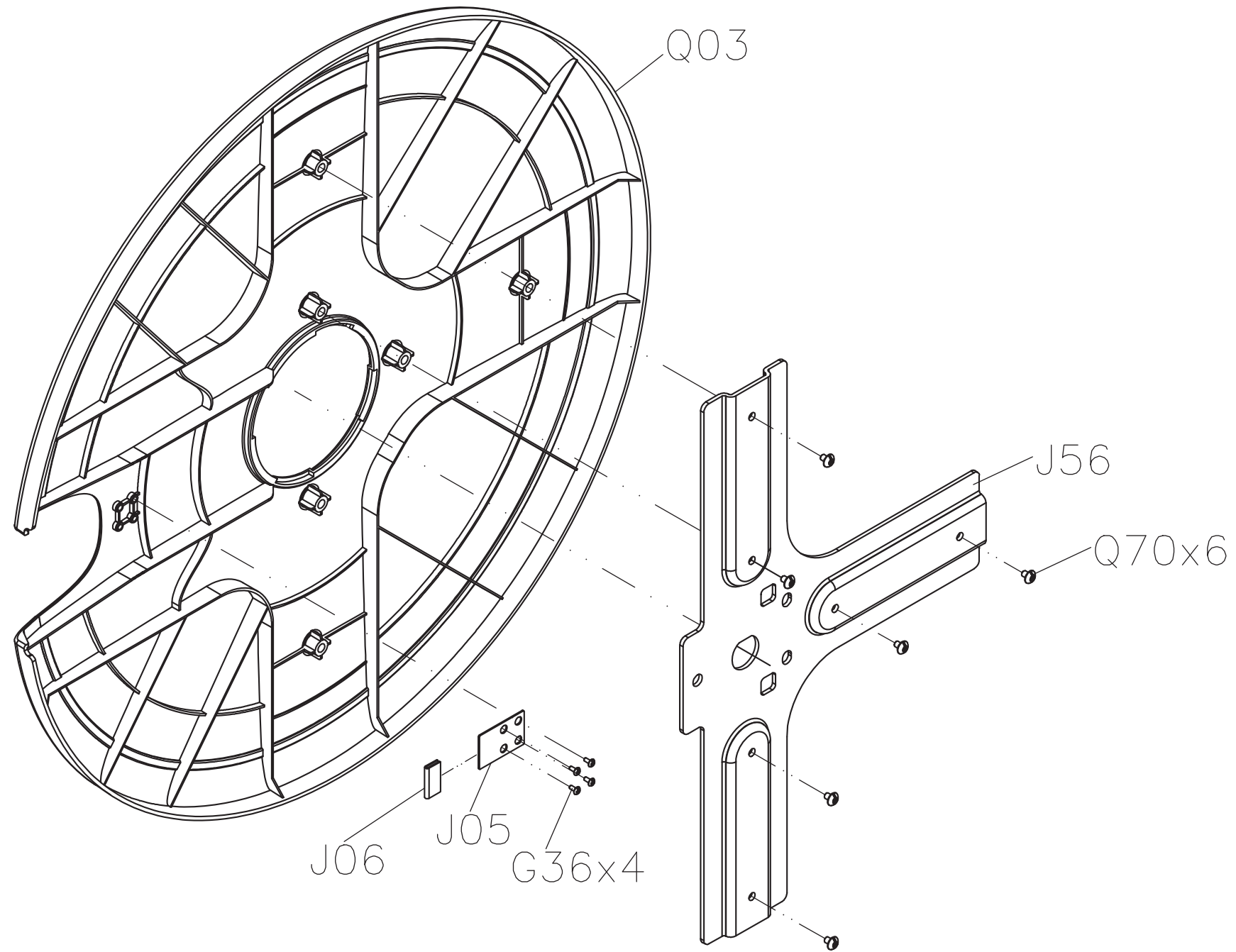
DRAWING NO	EP304-AQ12		
PART NAME	RIGHT SIDE COVER SET		
PART NO	0000095071 ^R _A		
APPROVE	tsaijw	DATE	20101213



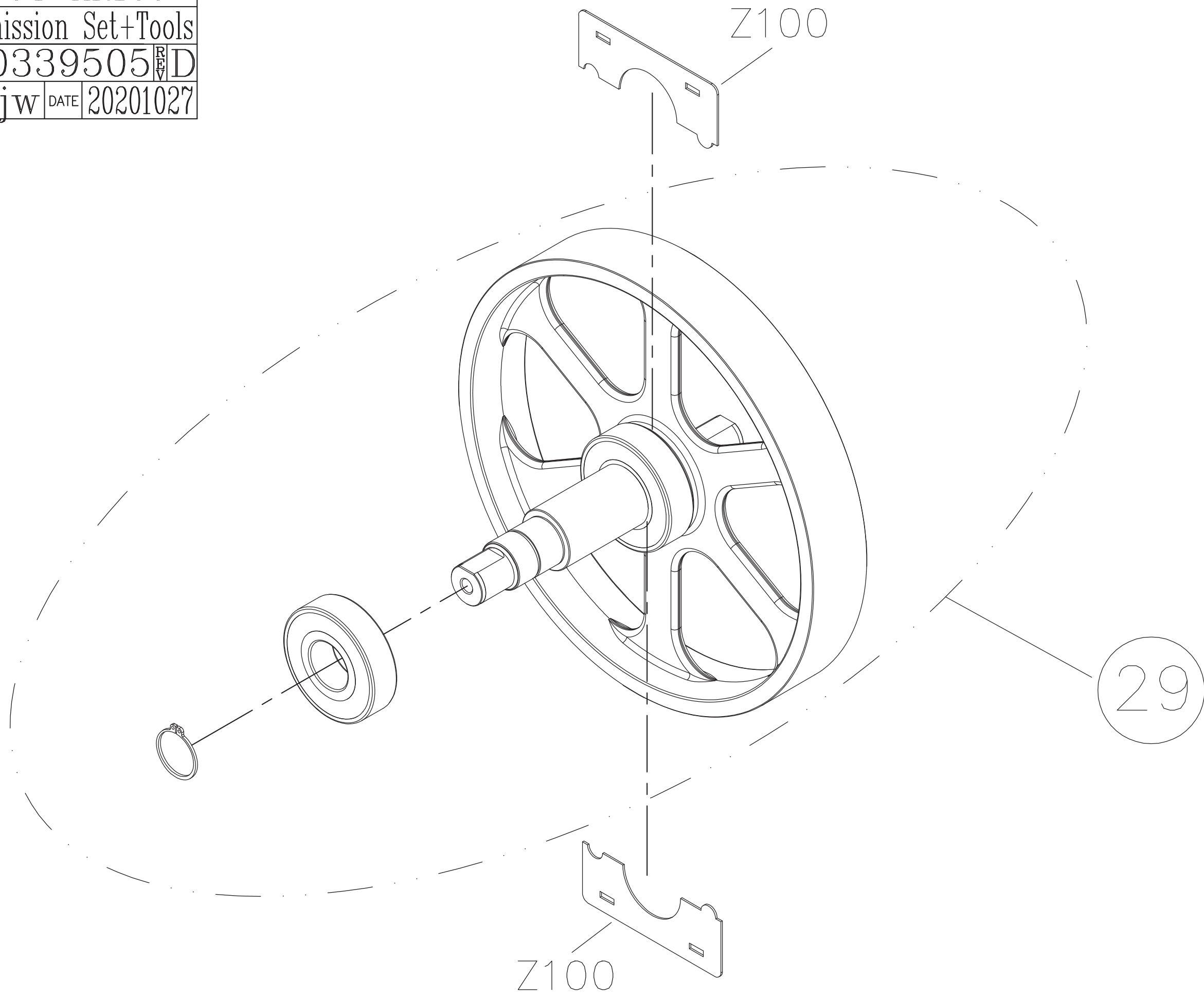
DRAWING NO	EP304-AJ12		
PART NAME	CRANK SET		
PART NO	0000095121 ^R _B		
APPROVE	Tsaijw	DATE	20110909



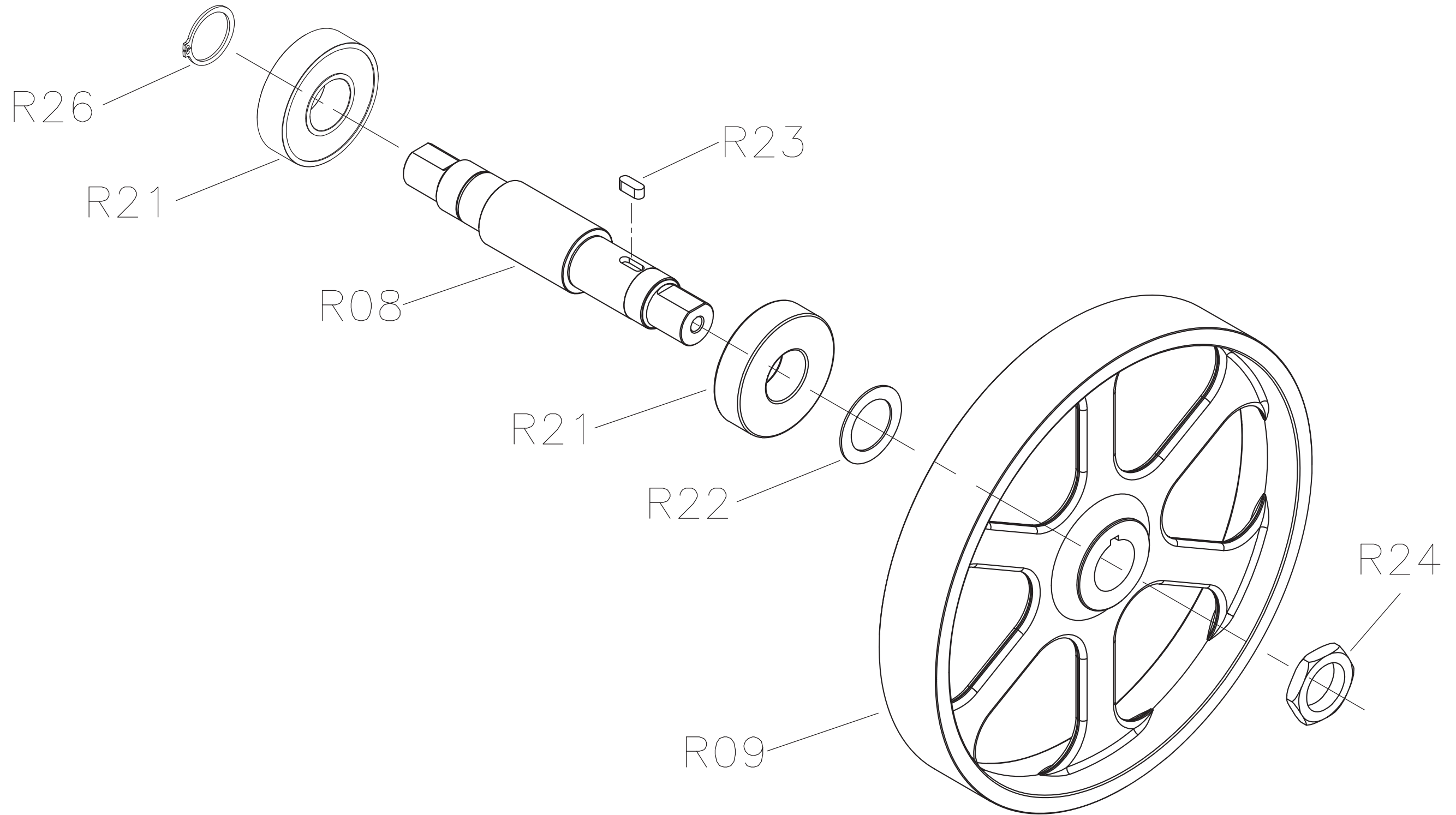
DRAWING NO	EP304-AJ13		
PART NAME	CRANK ROUND DISK SET		
PART NO	1000206970	REV	C
APPROVE	RICK	DATE	20220915



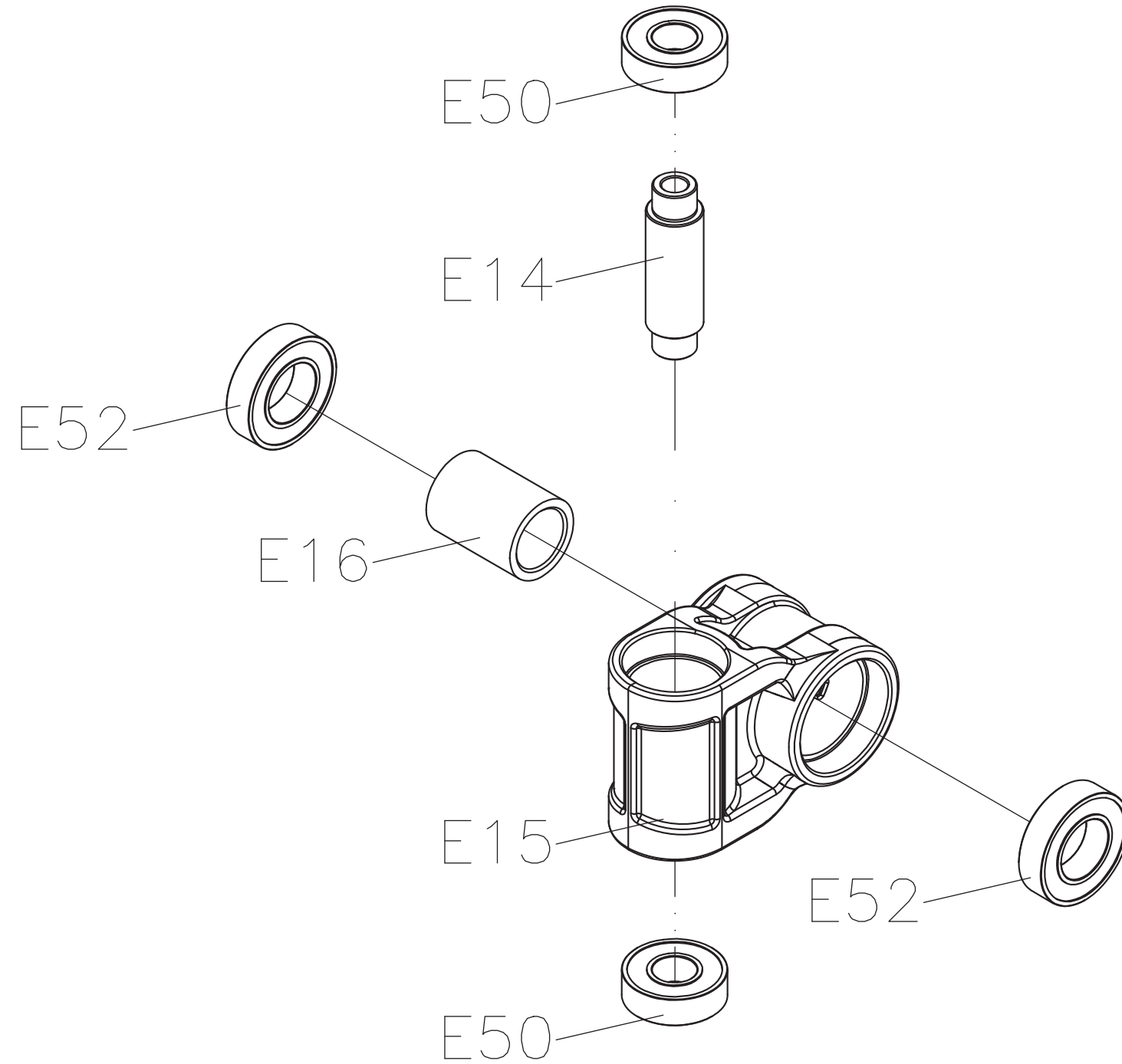
DRAWING NO	EP304-AR100		
PART NAME	Transmission Set+Tools		
PART NO	1000339505 <small>REV</small> D		
APPROVE	tsaijw	DATE	20201027



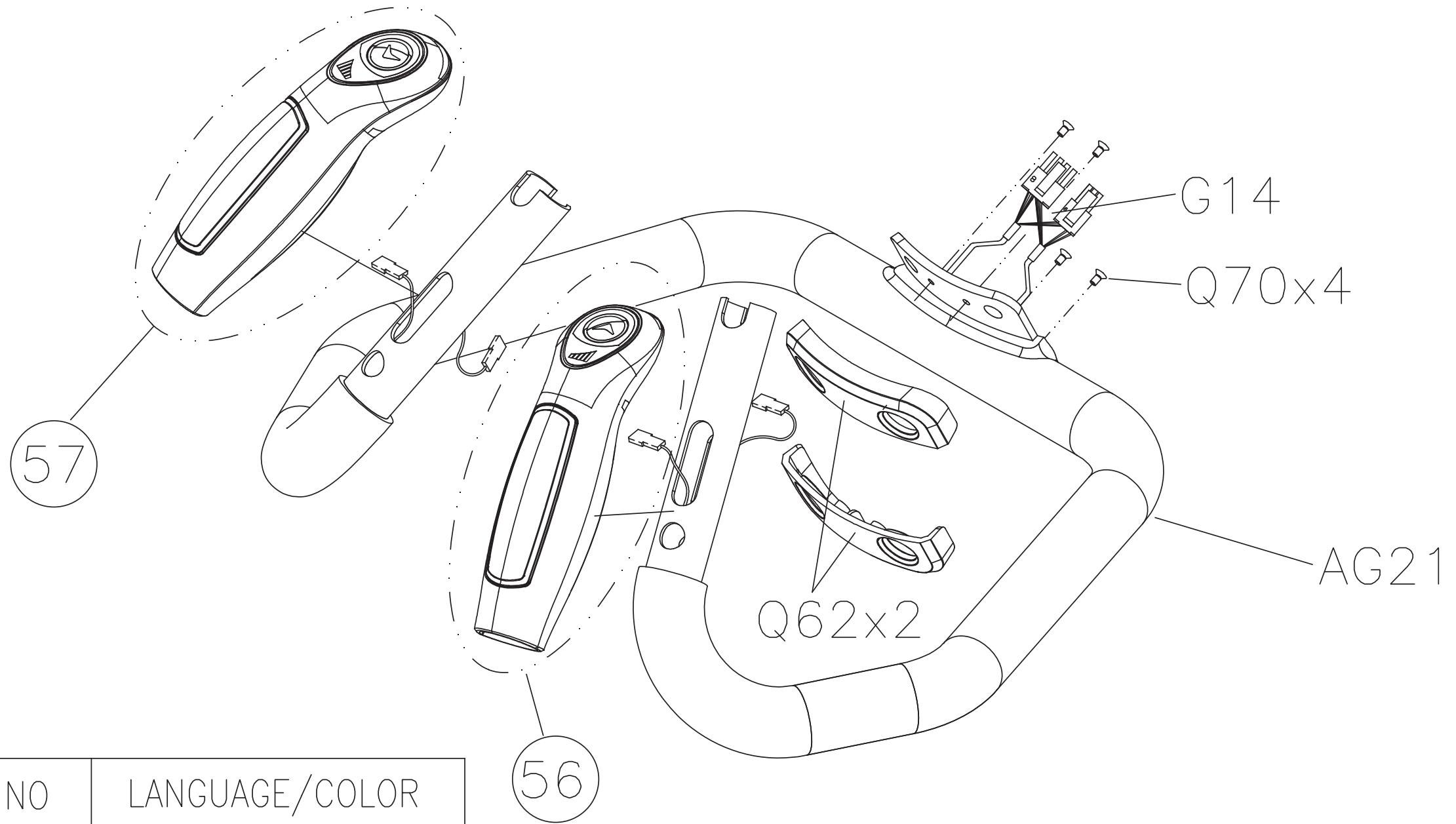
DRAWING NO	EP304-AR5		
PART NAME	DRIVE AXLE SET		
PART NO	1000206975	REV	B
APPROVE	tsaijw	DATE	20201027



DRAWING NO	EP304B-AE5		
PART NAME	Crank Sleeve Set		
PART NO	1000347355	REV	C
APPROVE	RICK	DATE	073021

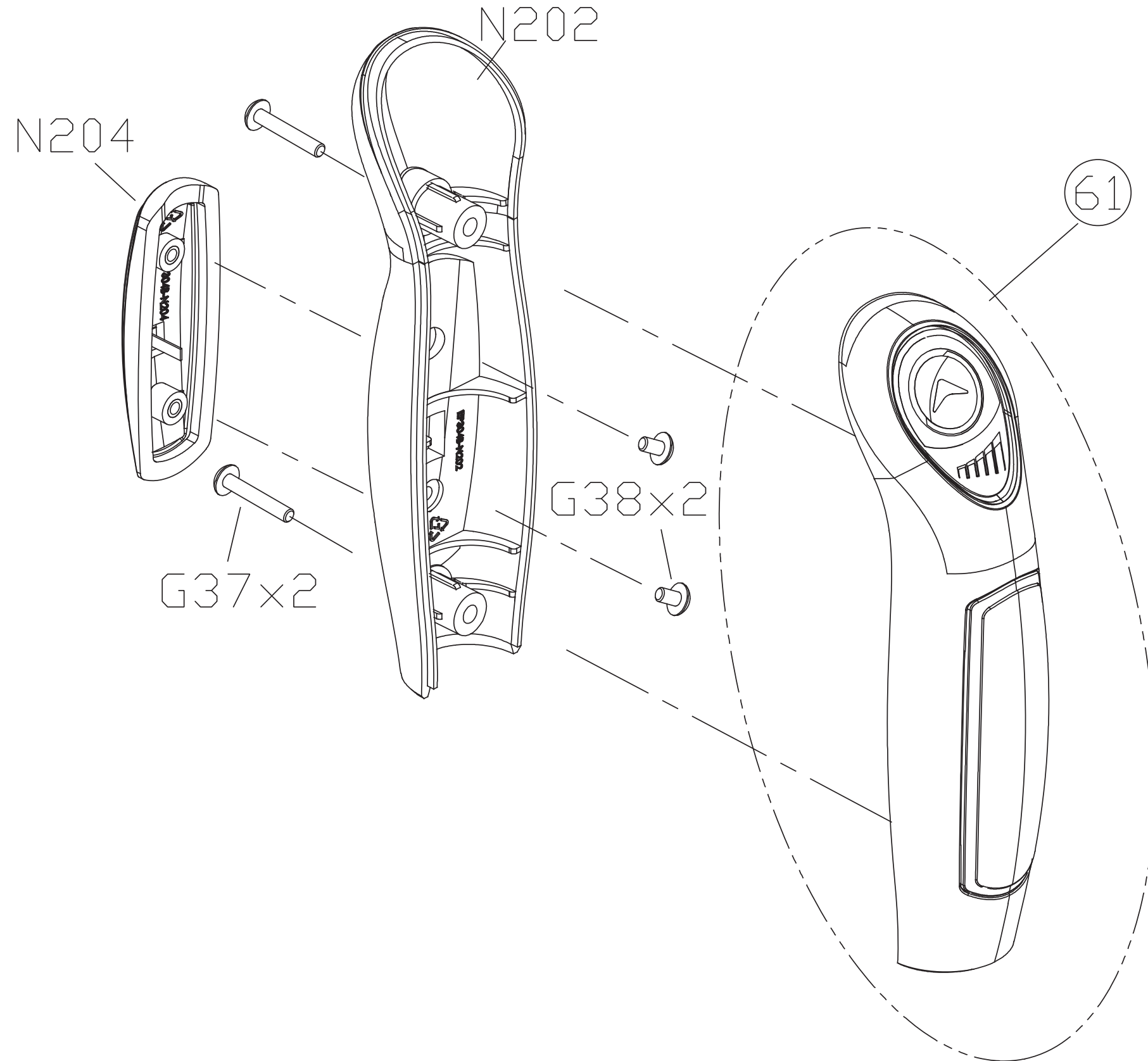


DRAWING NO	EP306-AG13		
PART NAME	HANDLE BAR SET		
PART NO	As attachment list		
APPROVE	JIMMY	DATE	20190715

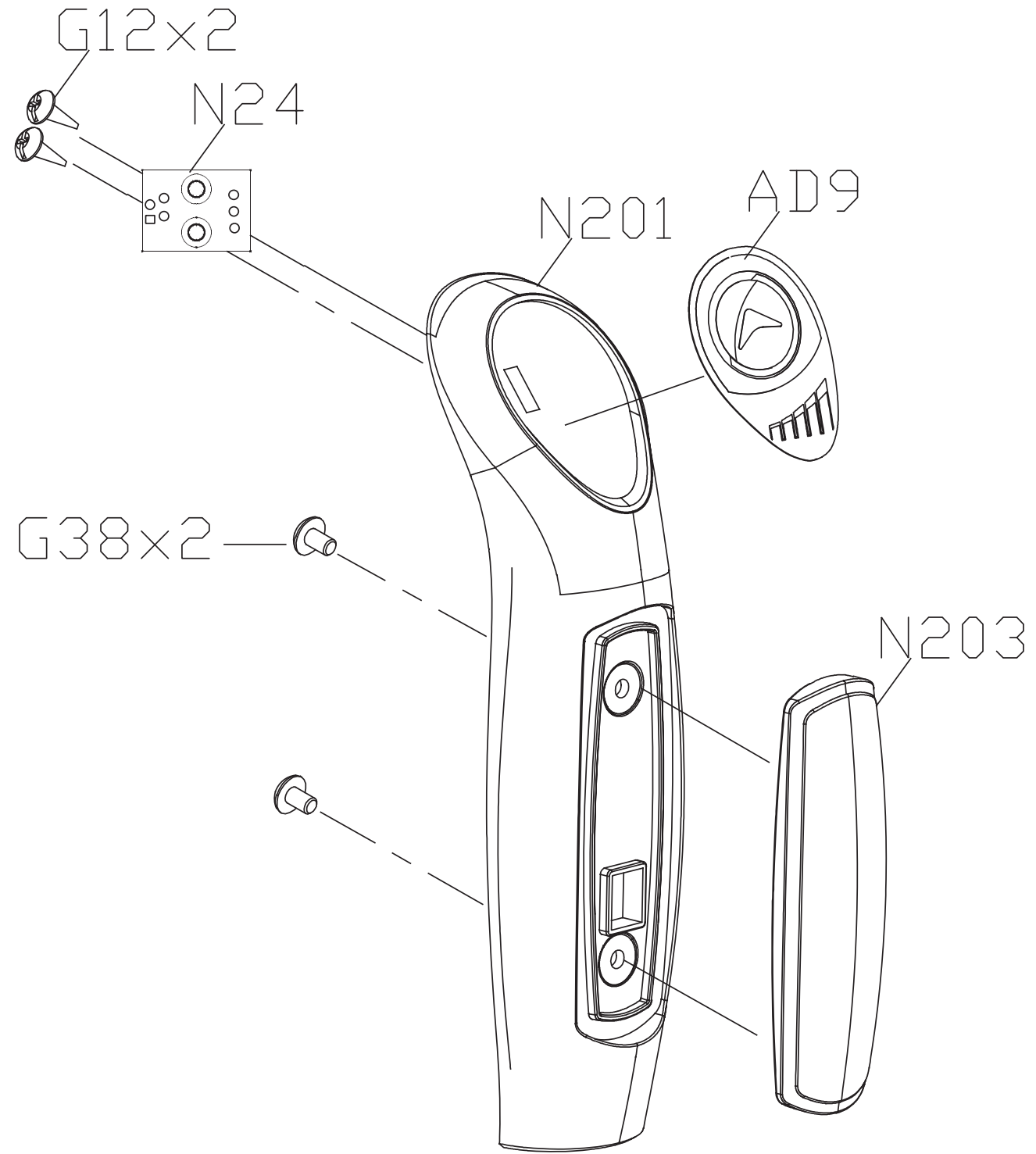


SAP PART NO	LANGUAGE/COLOR
0000094965	English/BL
1000218613	Japan/BL
1000338511	English/Black Matte

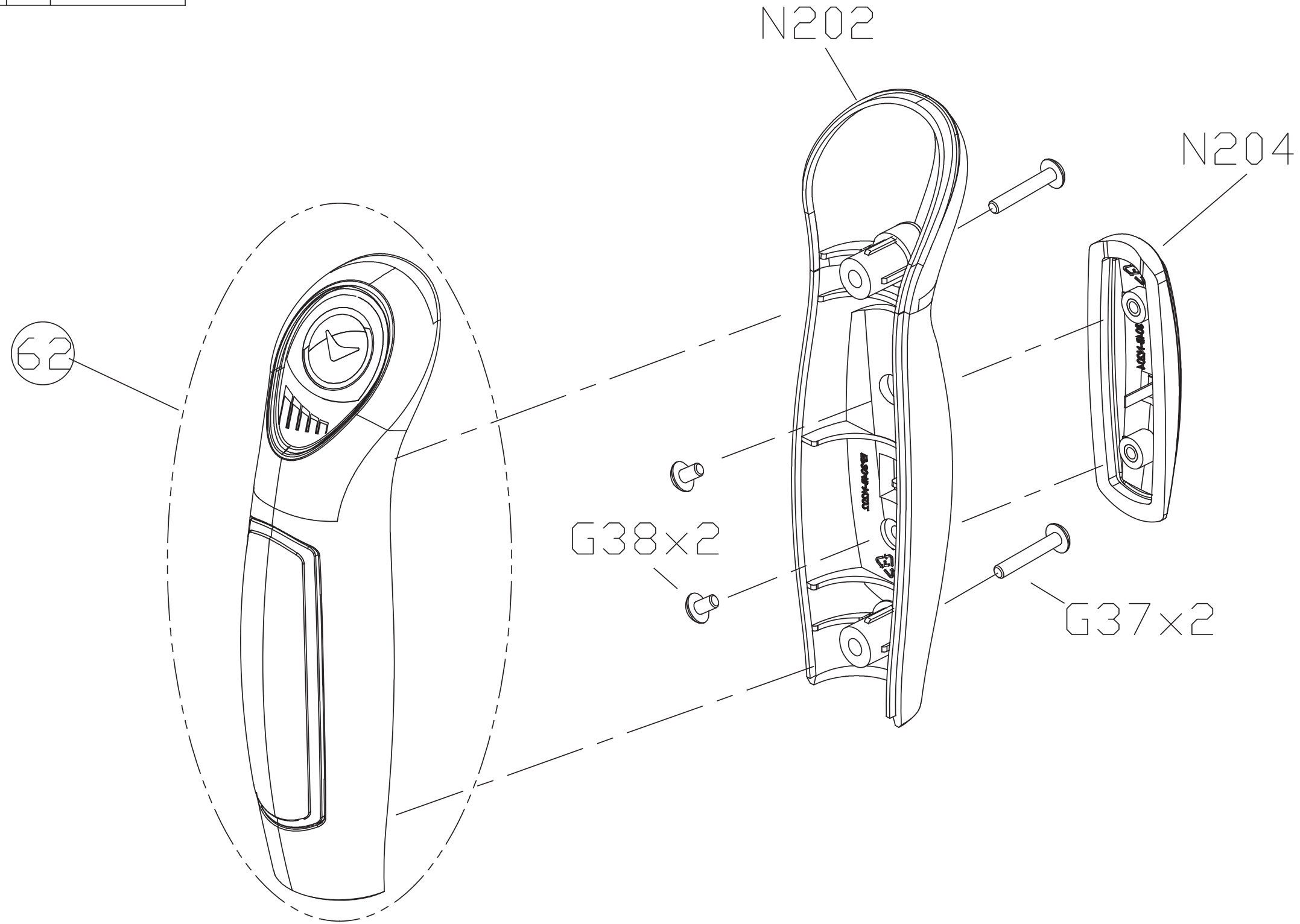
DRAWING NO	EP304B-AG7		
PART NAME	Heart Sensor Set;Grip;R		
PART NO	1000443389	REV	B
APPROVE	Jimmy	DATE	20190715



DRAWING NO	EP304B-AG21		
PART NAME	Heart Sensor Set;Quickly Key,right		
PART NO	1000443391REV B		
APPROVE	Jimmy	DATE	20190712



DRAWING NO	EP304B-AG8		
PART NAME	Heart Sensor Set;Grip;L		
PART NO	1000443390REV B		
APPROVE	Jimmy	DATE	20190715



DRAWING NO	EP304B-AG22		
PART NAME	Heart Sensor Set;Quickly Key;left		
PART NO	1000443392	REV	B
APPROVE	Jimmy	DATE	20190712

