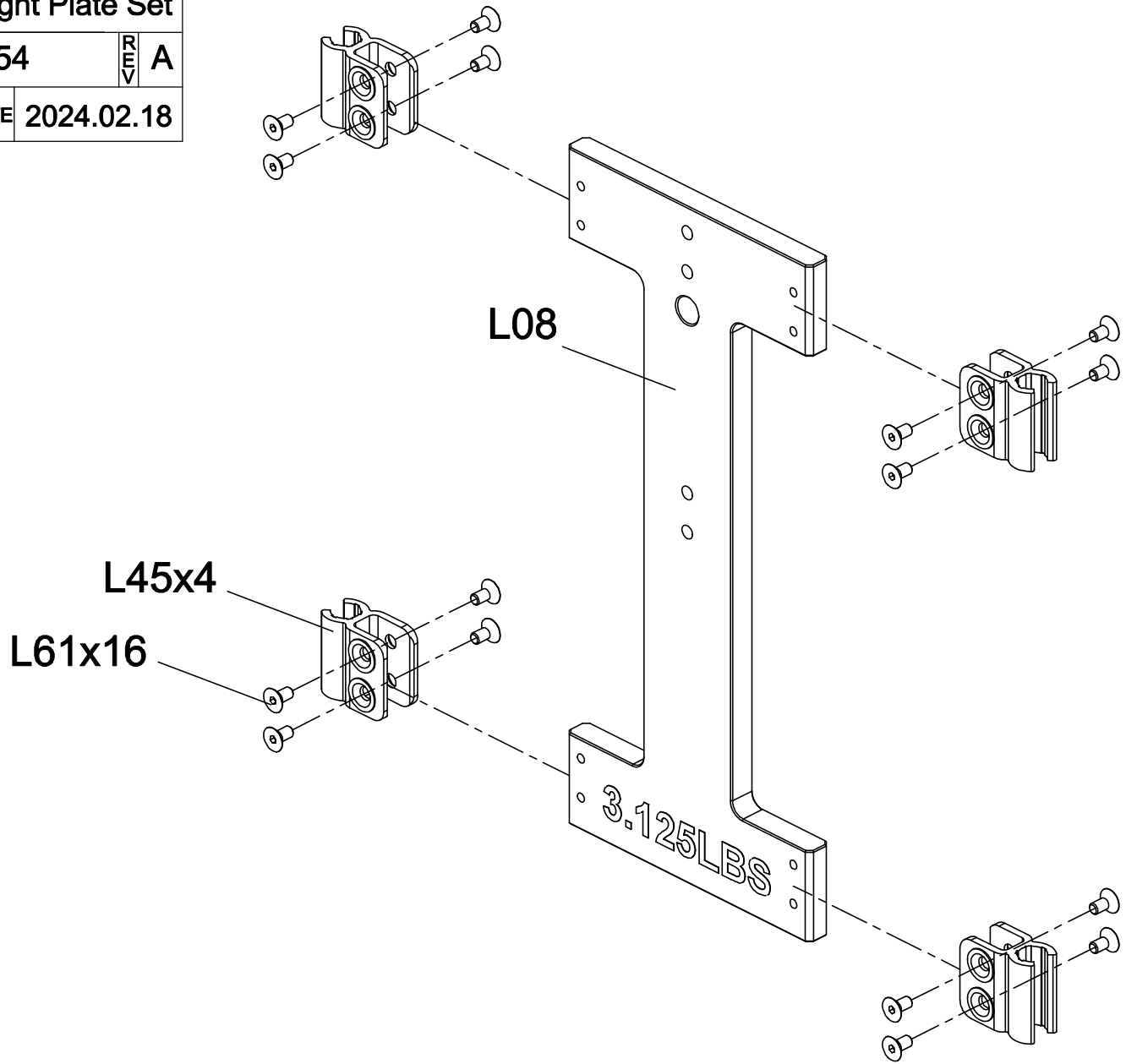
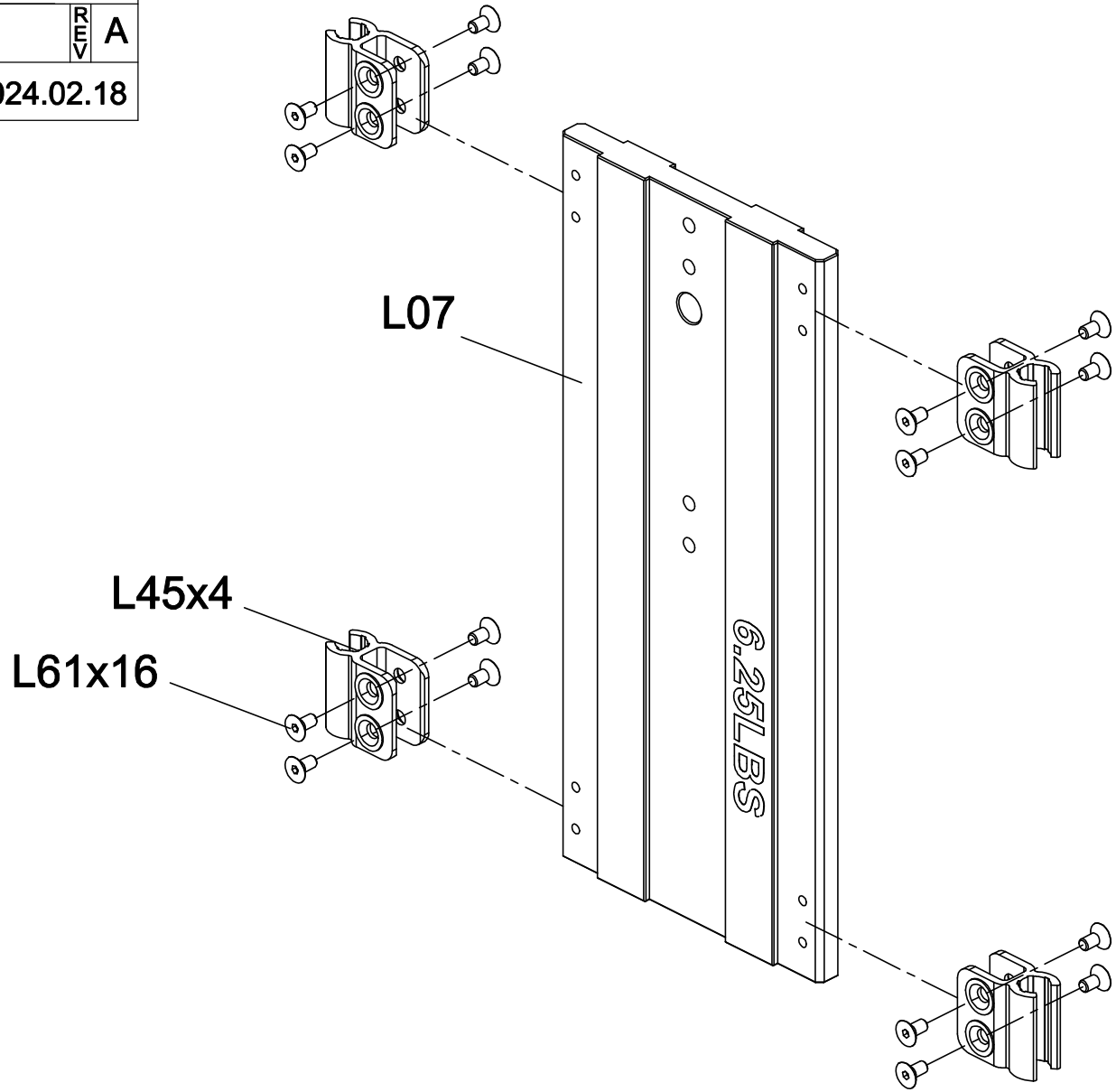


DRAWING NO	GM113F-SF03		
PART NAME	Incremental Weight Plate Set		
PART NO	1000504954	REV	A
APPROVE	Yang Hong wu	DATE	2024.02.18

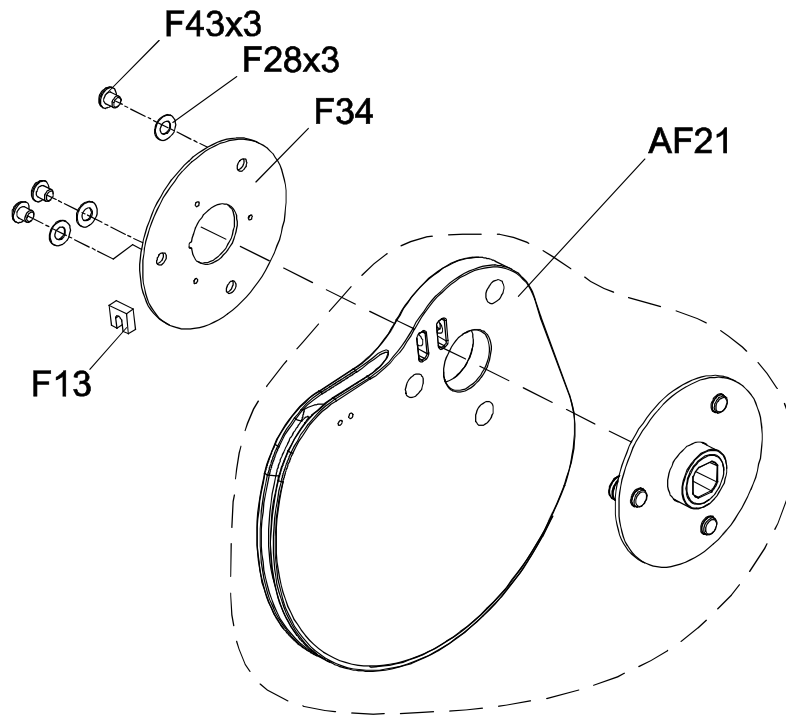


DRAWING NO	GM113F-SF04		
PART NAME	Incremental Weight Plate Set		
PART NO	1000504962	REV	A
APPROVE	Yang Hong wu	DATE	2024.02.18



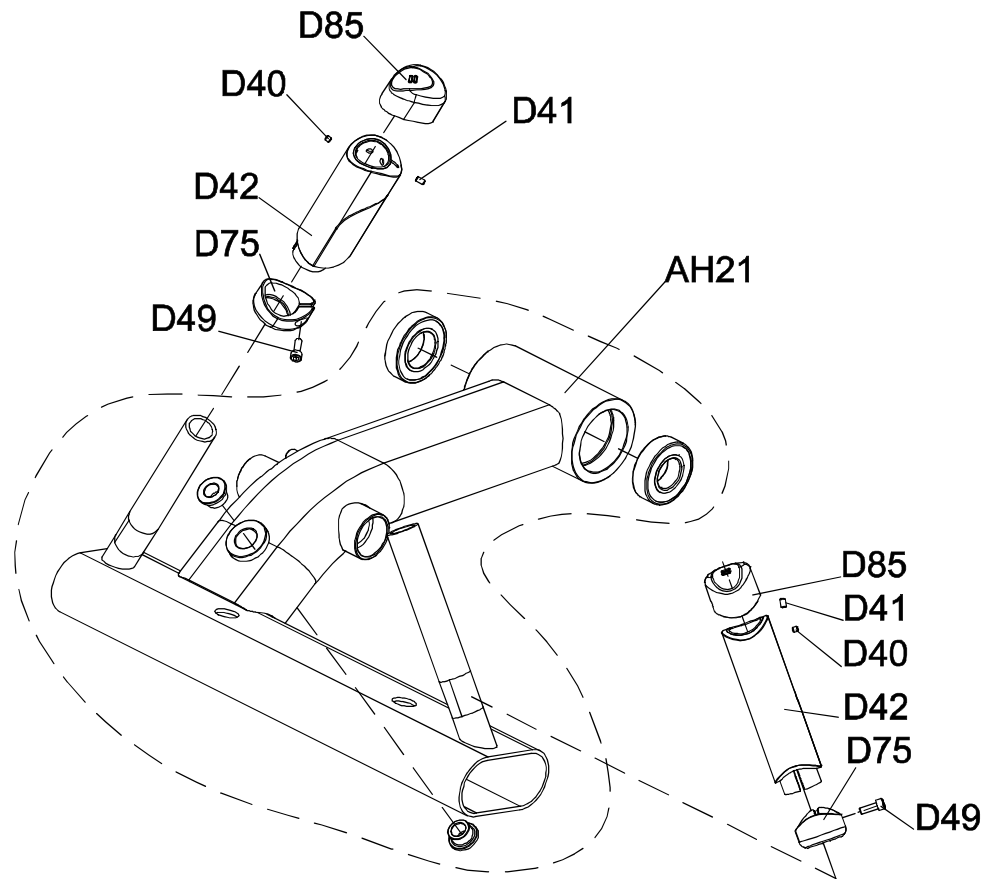
DRAWING NO	GM119-AF02		
PART NAME	Cam set;Assembly		
PART NO	See Chart	REV	A
APPROVE	Harry	DATE	08.31.2020

Part NO.	Color
1000416708	Iced Sliver
1000416709	Platinum
1000416710	Polarized Titanium
1000416711	Lace White
1000416712	Pearl White
1000416713	Mat Black
1000416714	Black Glossy
1000427437	PF Purple
1000432476	OPF Purple
1000440784	PF Yellow RAL1023
1000458236	Graphite Gray



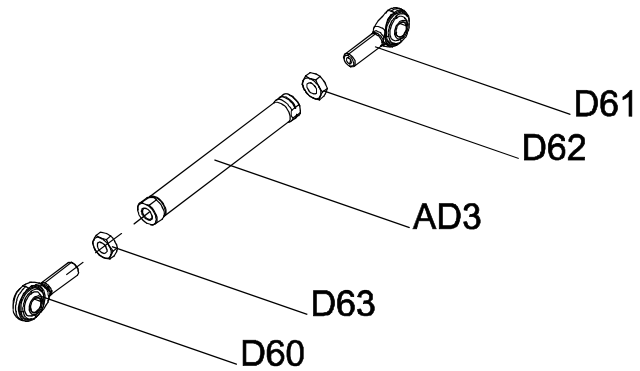
DRAWING NO	GM119-AH01		
PART NAME	Leg Press Set;Assembly		
PART NO	See Chart	REV	A
APPROVE	Zhaolin	DATE	03.25.2024


Part NO.	Color
1000416724	Iced Sliver
1000416725	Platinum
1000416726	Polarized Titanium
1000416727	Lace White
1000416728	Pearl White
1000416729	Mat Black
1000416730	Black Glossy
1000427441	PF Purple
1000432484	OPF Purple
1000440785	PF Yellow RAL1023
1000507672	Graphite Grey



DRAWING NO	GM45-AD03		
PART NAME	Link Arm set;Assembly		
PART NO	See Chart	REV	A
APPROVE	Harry	DATE	08.31.2020

Part NO.	Color
1000320949	Iced Sliver
1000323157	Platinum
1000416680	Polarized Titanium
1000416681	Lace White
1000321320	Pearl White
1000322263	Mat Black
1000417047	Black Glossy
1000427432	PF Purple
1000432466	OPF Purple
1000440783	PF Yellow RAL1023
1000458231	Graphite Gray



DRAWING NO	GM119-AC23		
PART NAME	Part Explosive Diagram		
PART NO	See Chart		A
APPROVE	Zhaolin	DATE	2024.03.25

Colour	SAP No.
Iced Sliver	1000416556
Platinum	1000416557
Polarized Titanium	1000416558
Lace White	1000416559
Pearl White	1000416560
Black Matte	1000416561
Black Glossy	1000416562
PF Yellow RAL1023	1000440776
PF Purple RAL4008	1000427420
O-PF Purple	1000432252
Graphite Grey	1000507667

