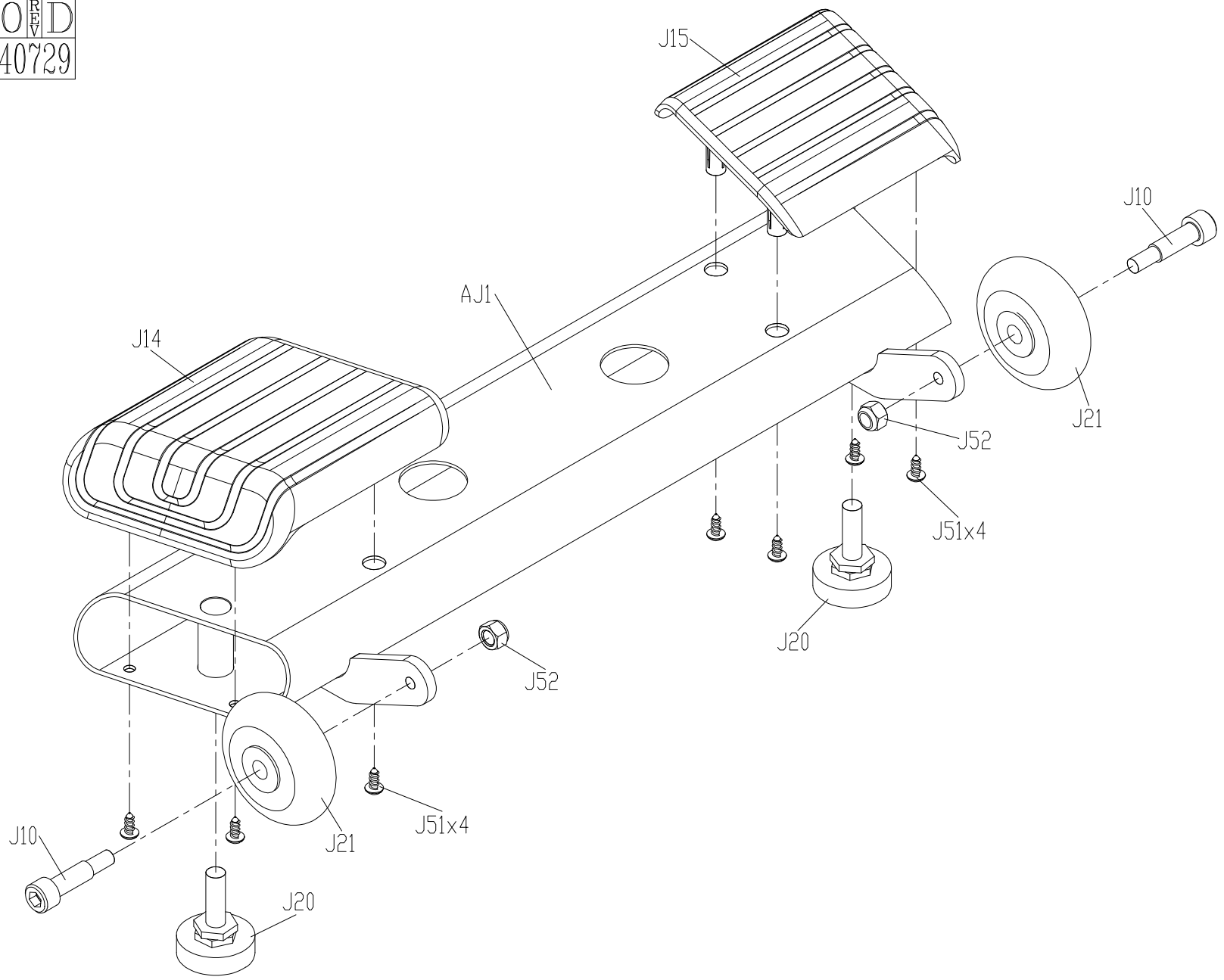
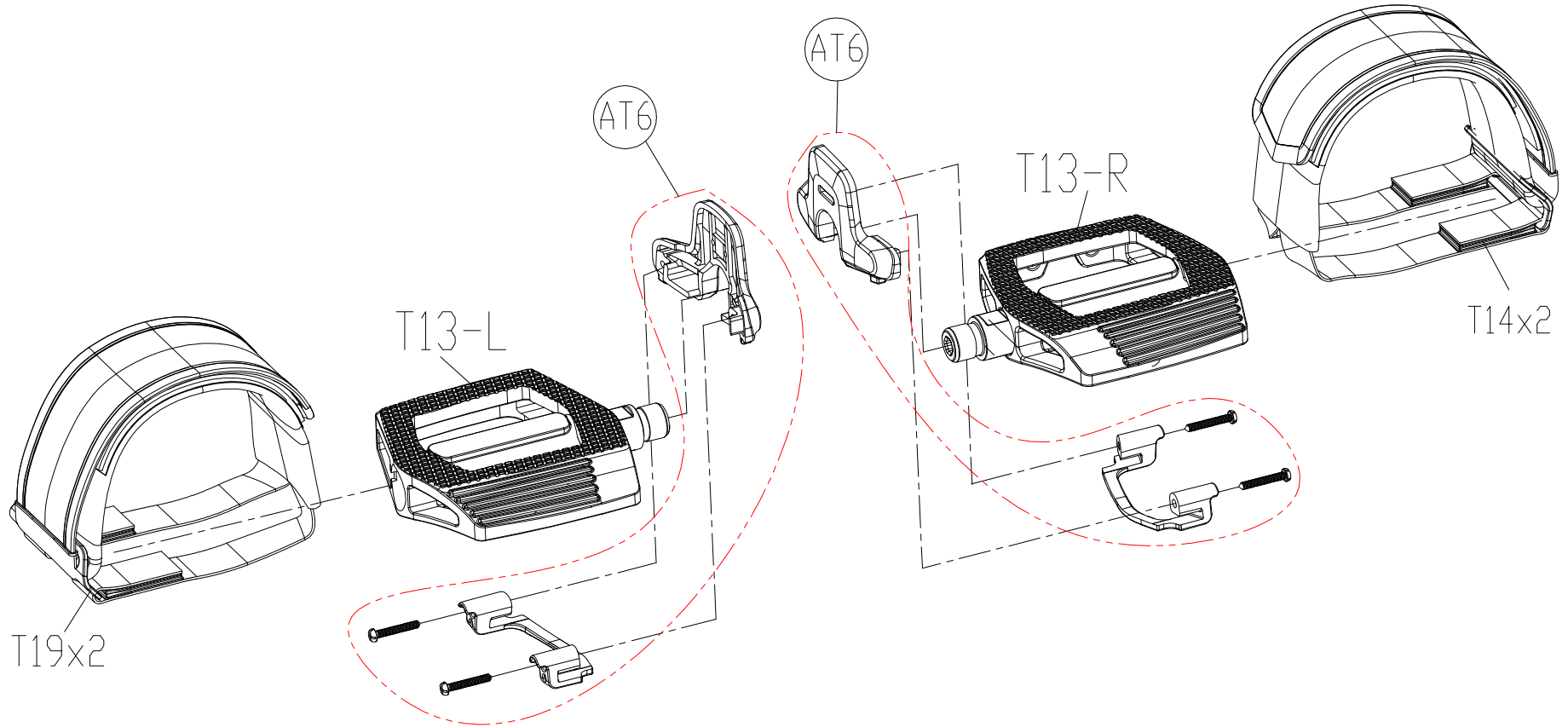


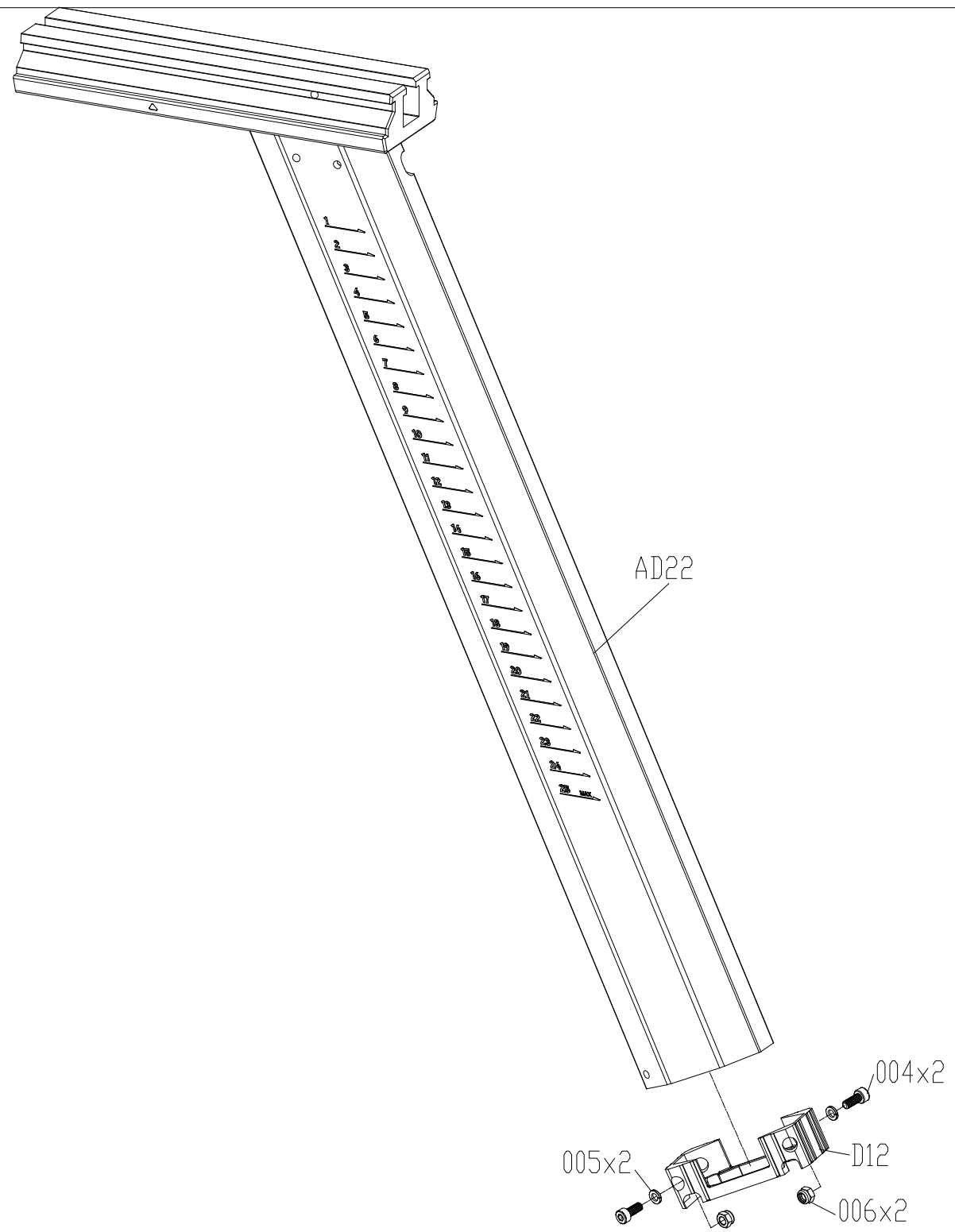
DRAWING NO	FC20-AJ11		
PART NAME	Stabilizer Tube Set;front		
PART NO	1000411450 ^R / _D		
APPROVE	becky	DATE	20240729



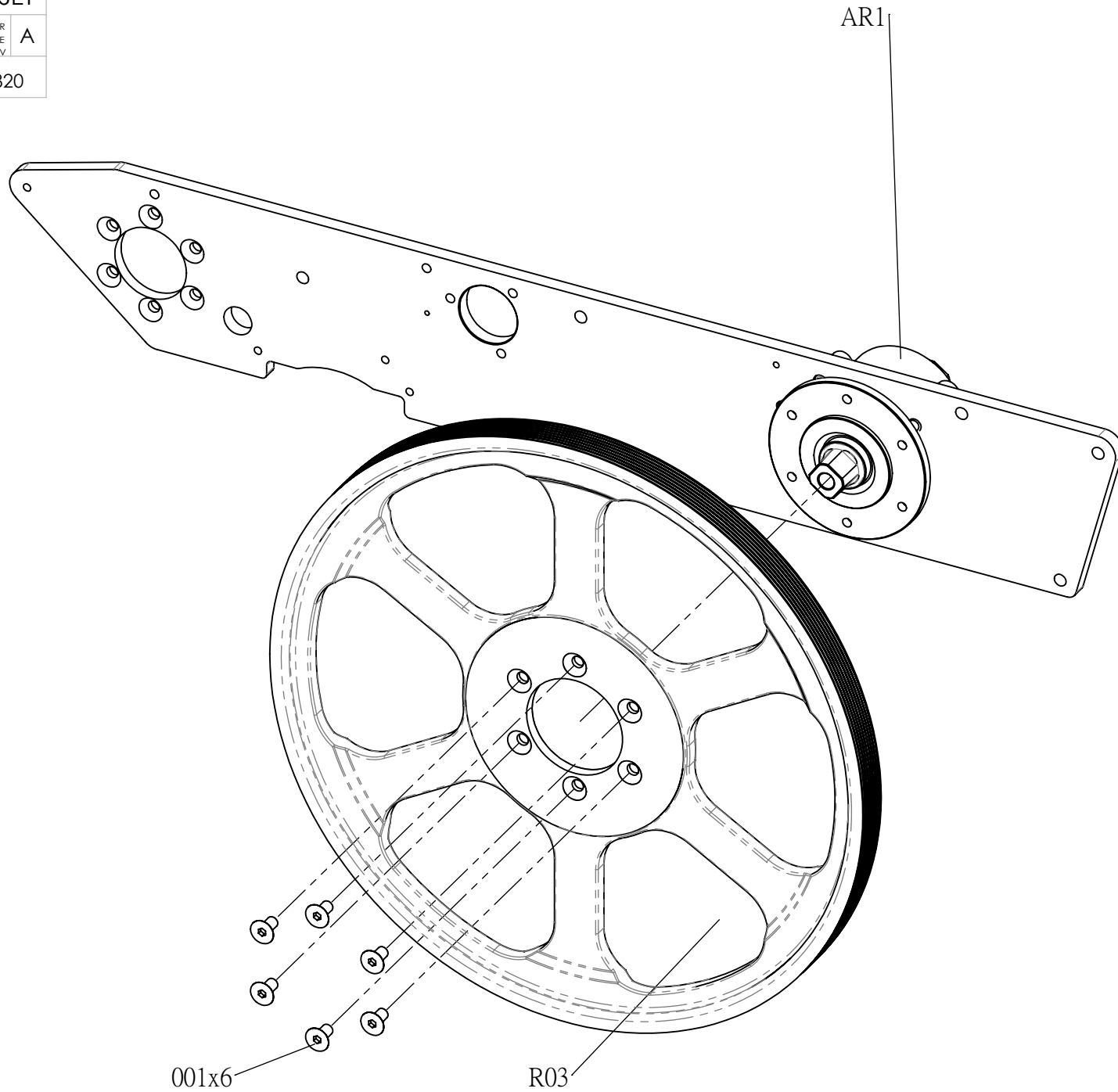
DRAWING NO	FC24C-AT3		
PART NAME	Pedal set;VP-S5		
PART NO	1000441923	REV	B
APPROVE	Benson	DATE	20190613



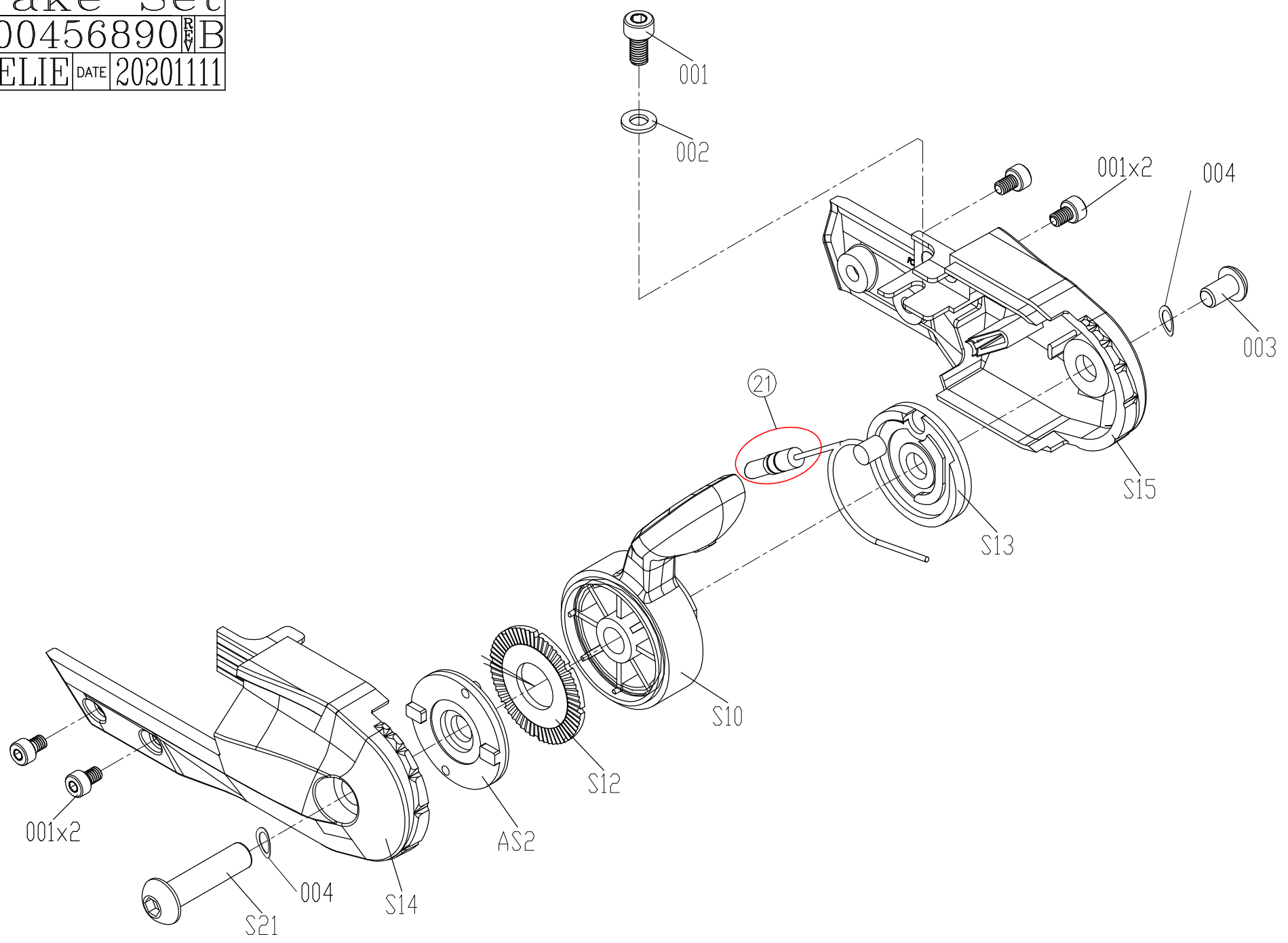
DRAWING NO	FC24-AD25		
PART NAME	Handlebar Set;Fixing		
PART NO	1000448479	REV	B
APPROVE	Benson	DATE	20191219



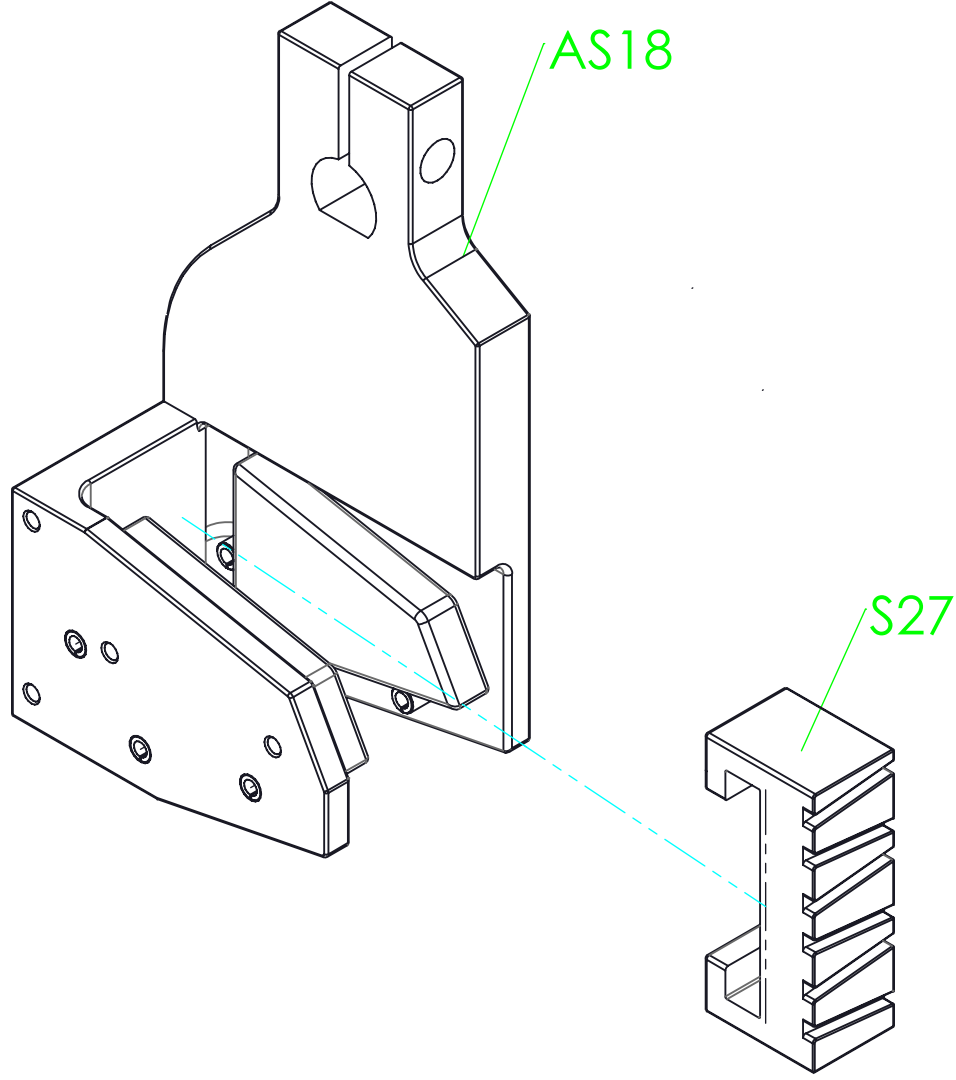
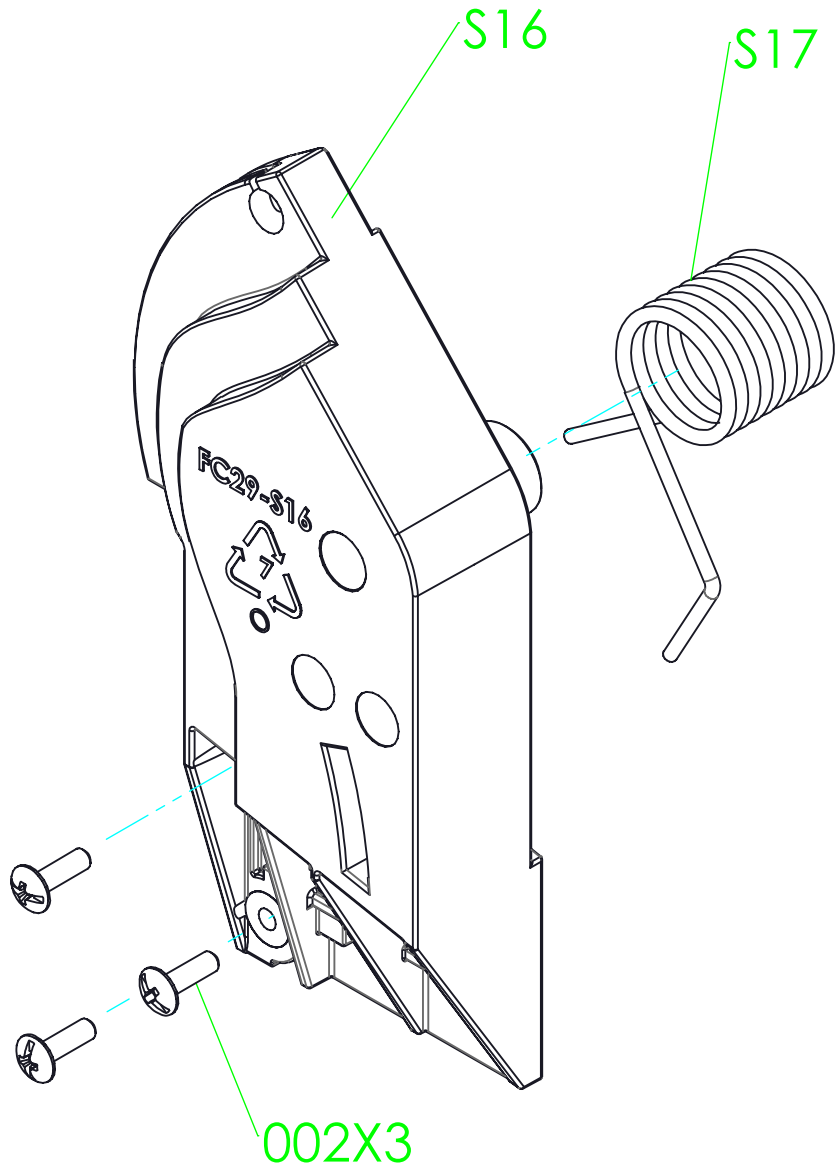
DRAWING NO	FC29-AR11		
PART NAME	TRANSMISSION SET		
PART NO	1000456874	REV	A
APPROVE	AMELIE	DATE	100820



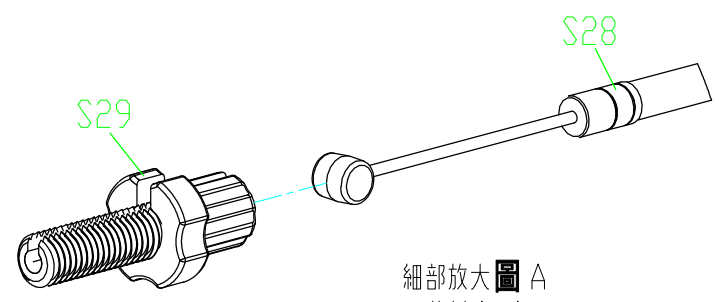
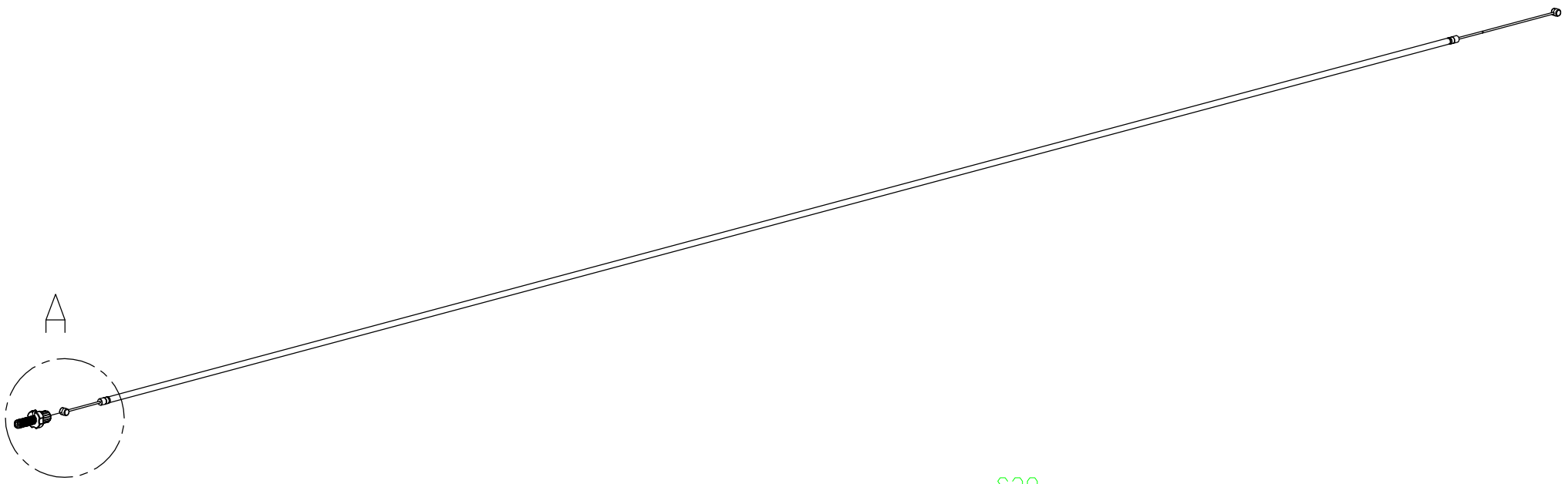
DRAWING NO	FC29-AS1		
PART NAME	Brake Set		
PART NO	1000456890 B		
APPROVE	AMELIE	DATE	20201111



DRAWING NO	FC29-AS16		
PART NAME	ECB GENERATOR SET		
PART NO	1000456891	REV	E
APPROVE	AMELIE	DATE	100121

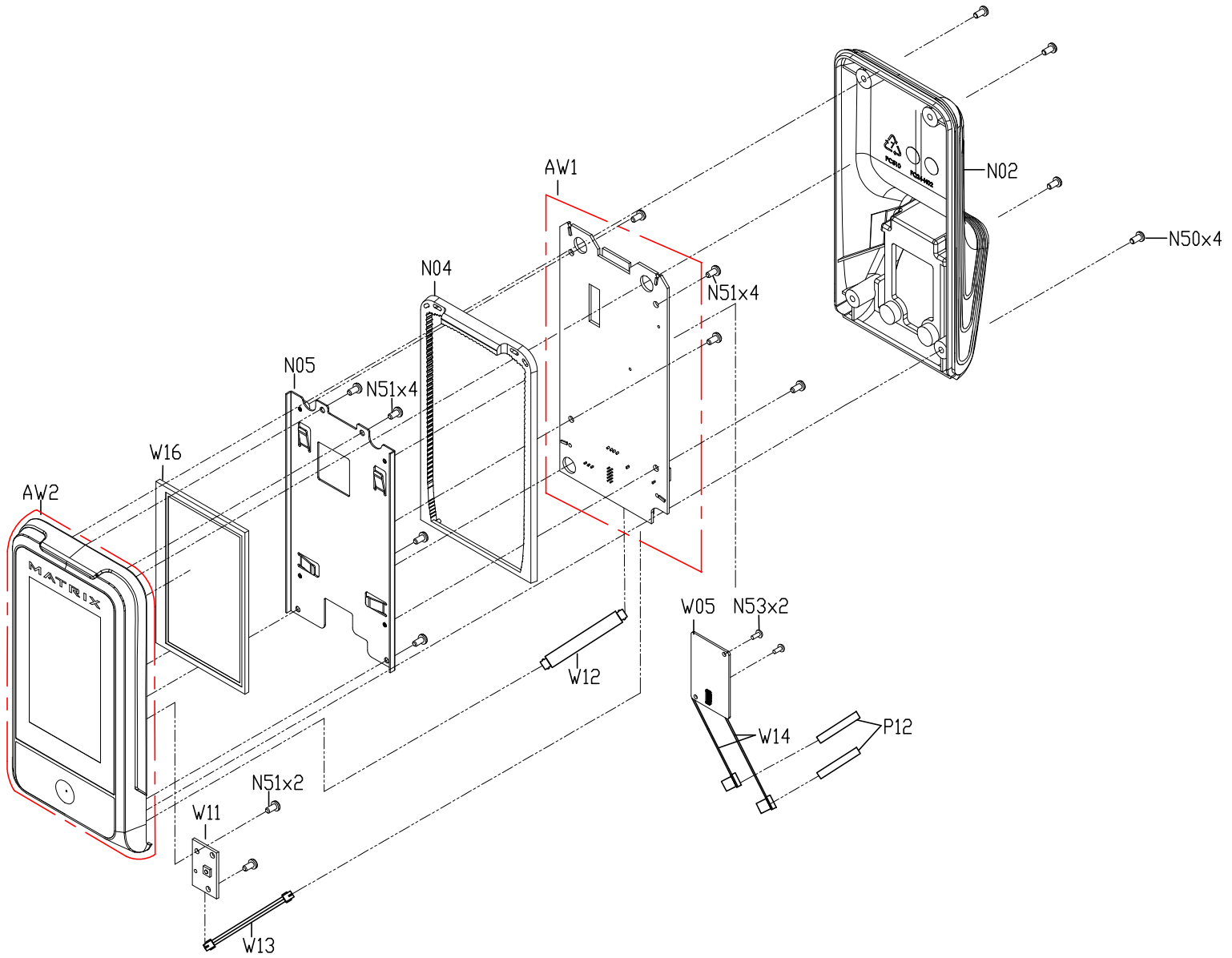


DRAWING NO	FC29-AS3		
PART NAME	Steel Rope Set		
PART NO	1000460332 REV B		
APPROVE	Amelie	DATE	20201112



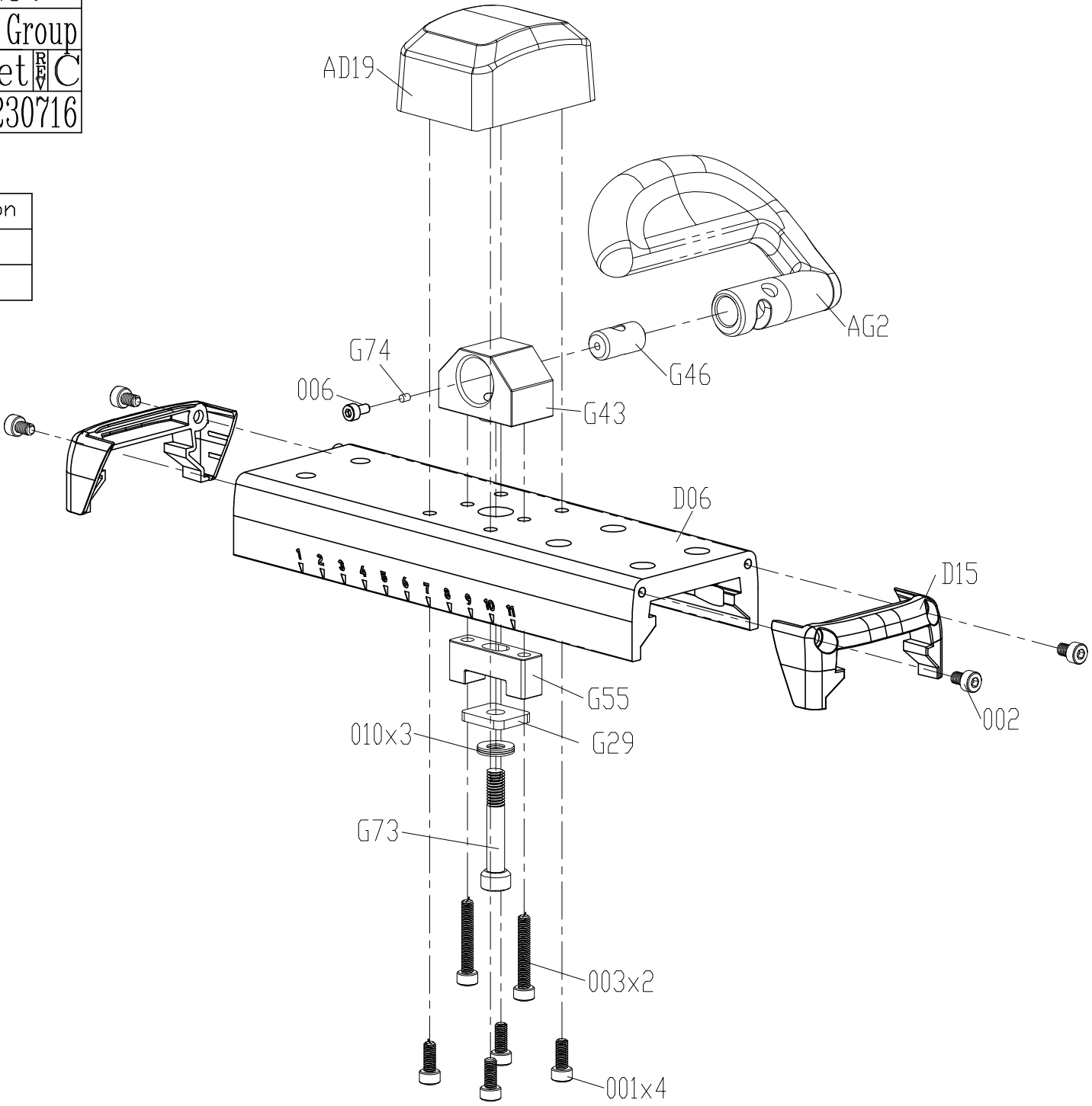
細部放大圖 A
比例 1:1

DRAWING NO	FC34B-AN1		
PART NAME	Console set, Semi-Assy		
PART NO	1000460894 A		
APPROVE	AMELIE	DATE	20201223



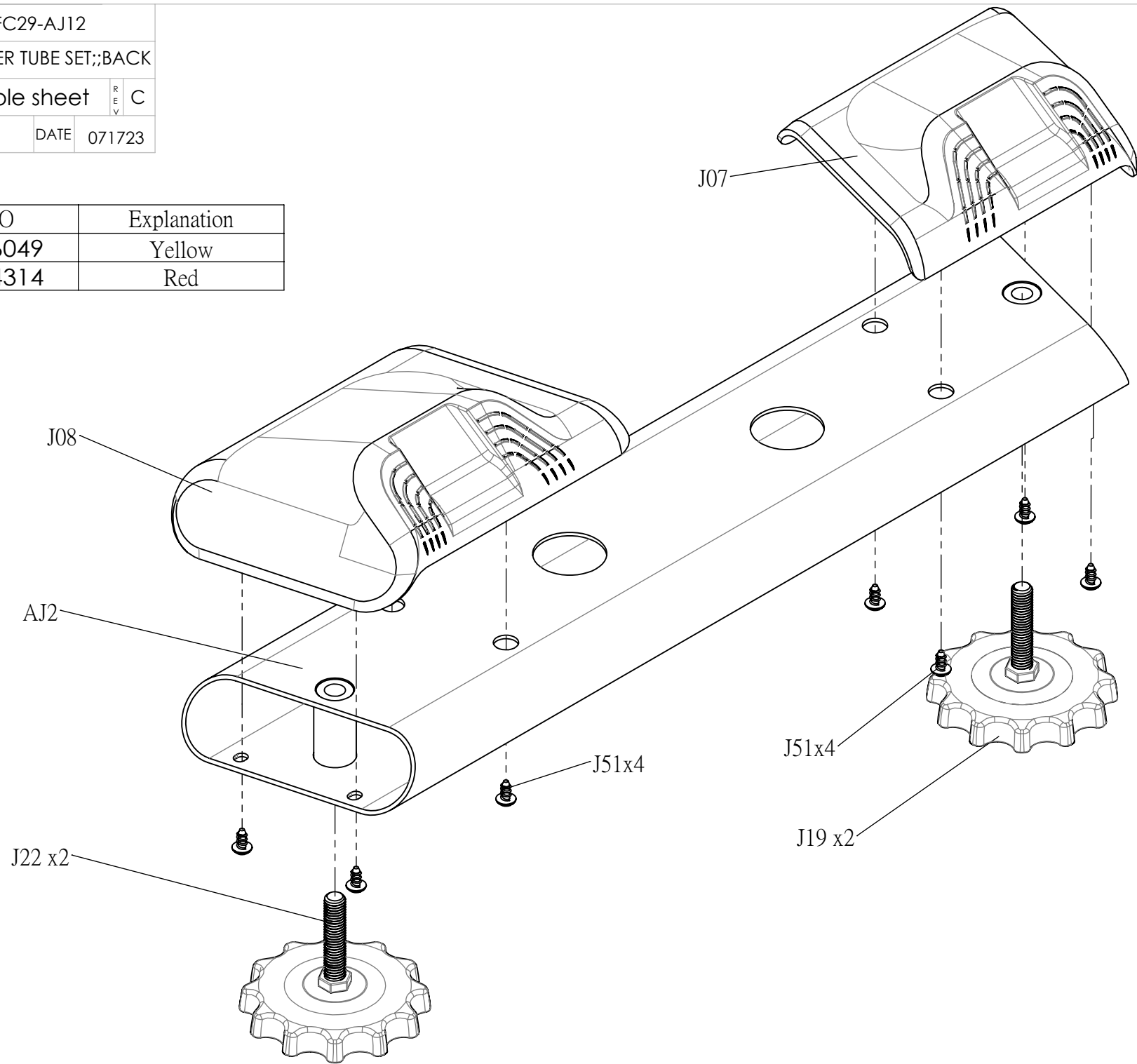
DRAWING NO	FC24-AD27		
PART NAME	Adjustable Handle Group		
PART NO	As table sheet		
APPROVE	Ming	DATE	20230716

SAP NO	Explanation
1000494311	Red
1000448487	Yellow



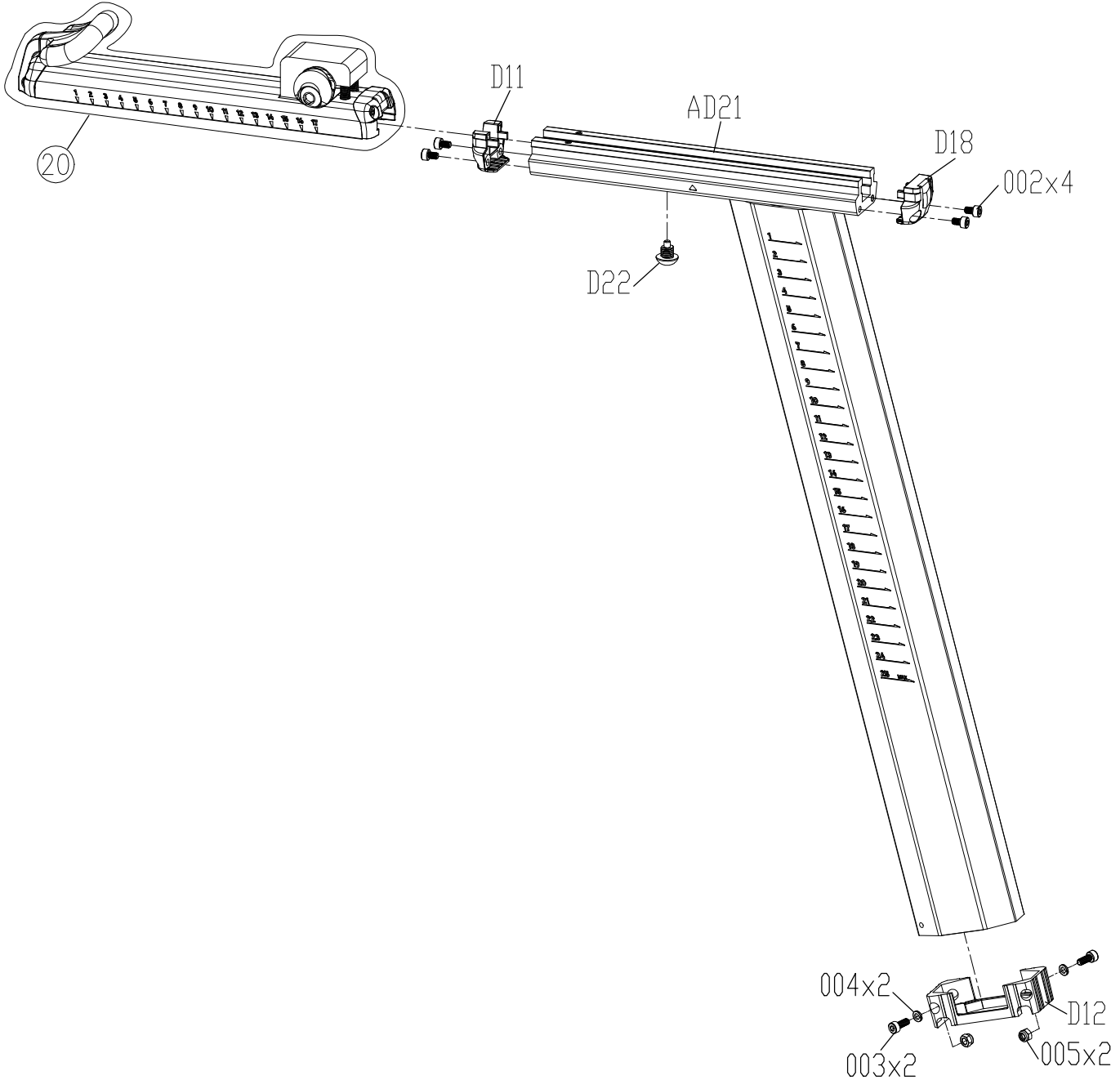
DRAWING NO	FC29-AJ12		
PART NAME	STABILIZER TUBE SET;;BACK		
PART NO	As table sheet	REV	C
APPROVE	MING	DATE	071723

SAP NO	Explanation
1000466049	Yellow
1000494314	Red



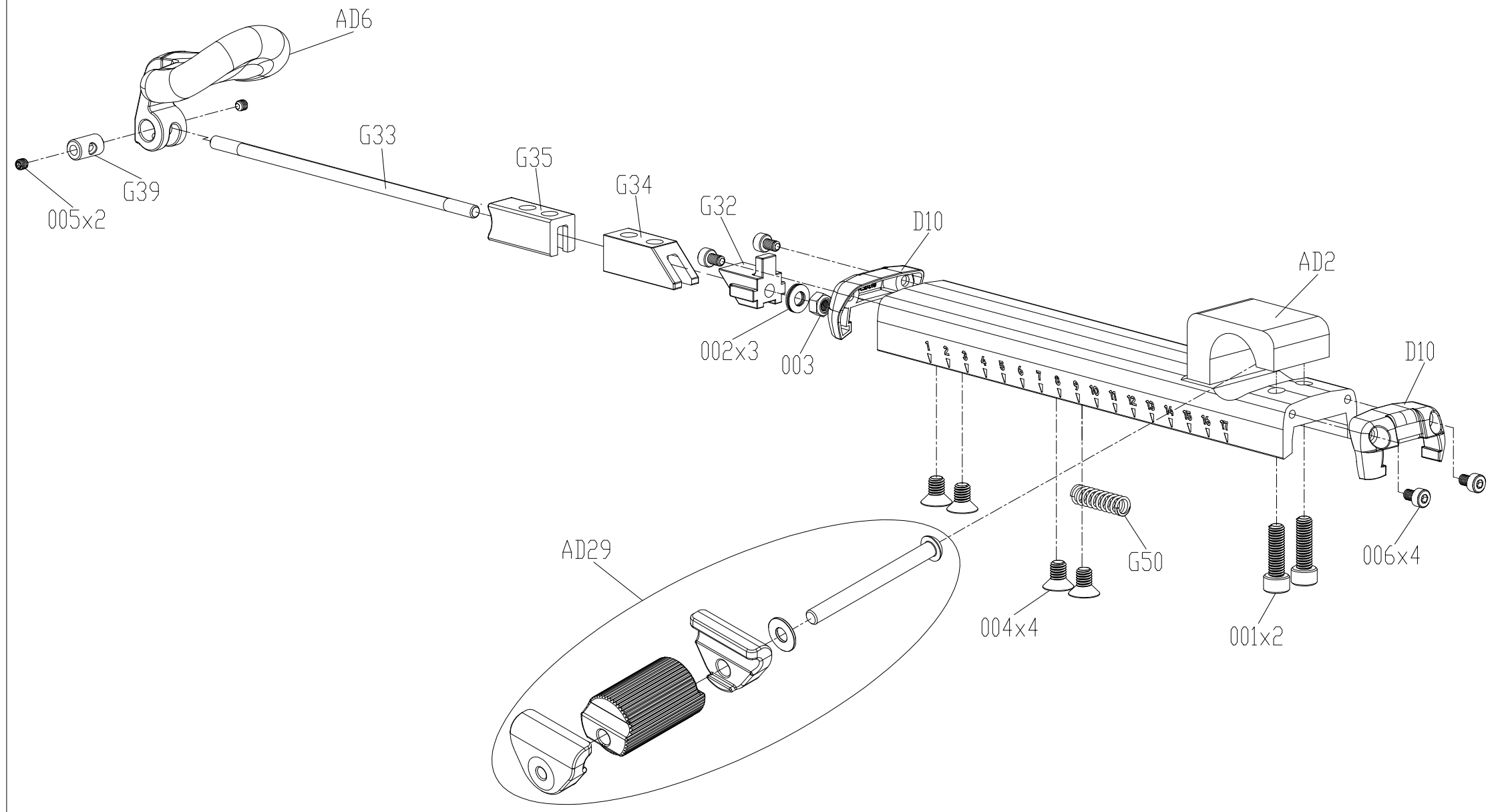
DRAWING NO	FC20-AD11		
PART NAME	Seat Post Set		
PART NO	As table sheet 		
APPROVE	MING	DATE	20230717

SAP NO	Explanation
1000494317	Red
1000404510	Yellow



DRAWING NO	FC20-AD12		
PART NAME	Seat Pad Adjustable Set		
PART NO	As table sheet	R	H
APPROVE	IRENE	DATE	20231016

SAP NO	Explanation
1000494331	Red
1000404511	Yellow



DRAWING NO	FC32-AD13		
PART NAME	ADJUSTABLE HANDLE GROUP;CUSHIO		
PART NO	CXC	REV	B
APPROVE	JANET	DATE	021724

SAP NO	Explanation
1000504839	Yellow
1000505158	Red

