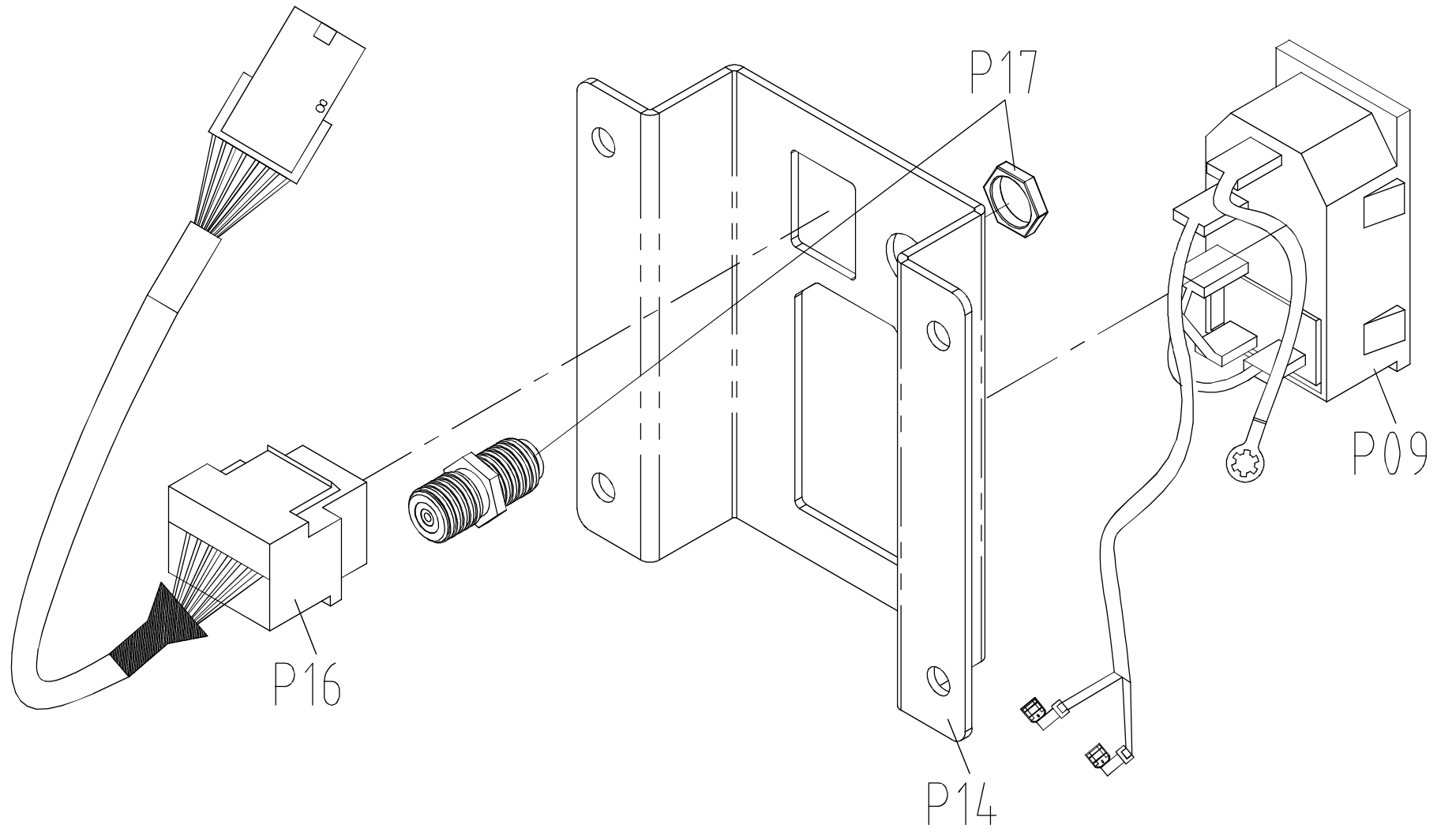
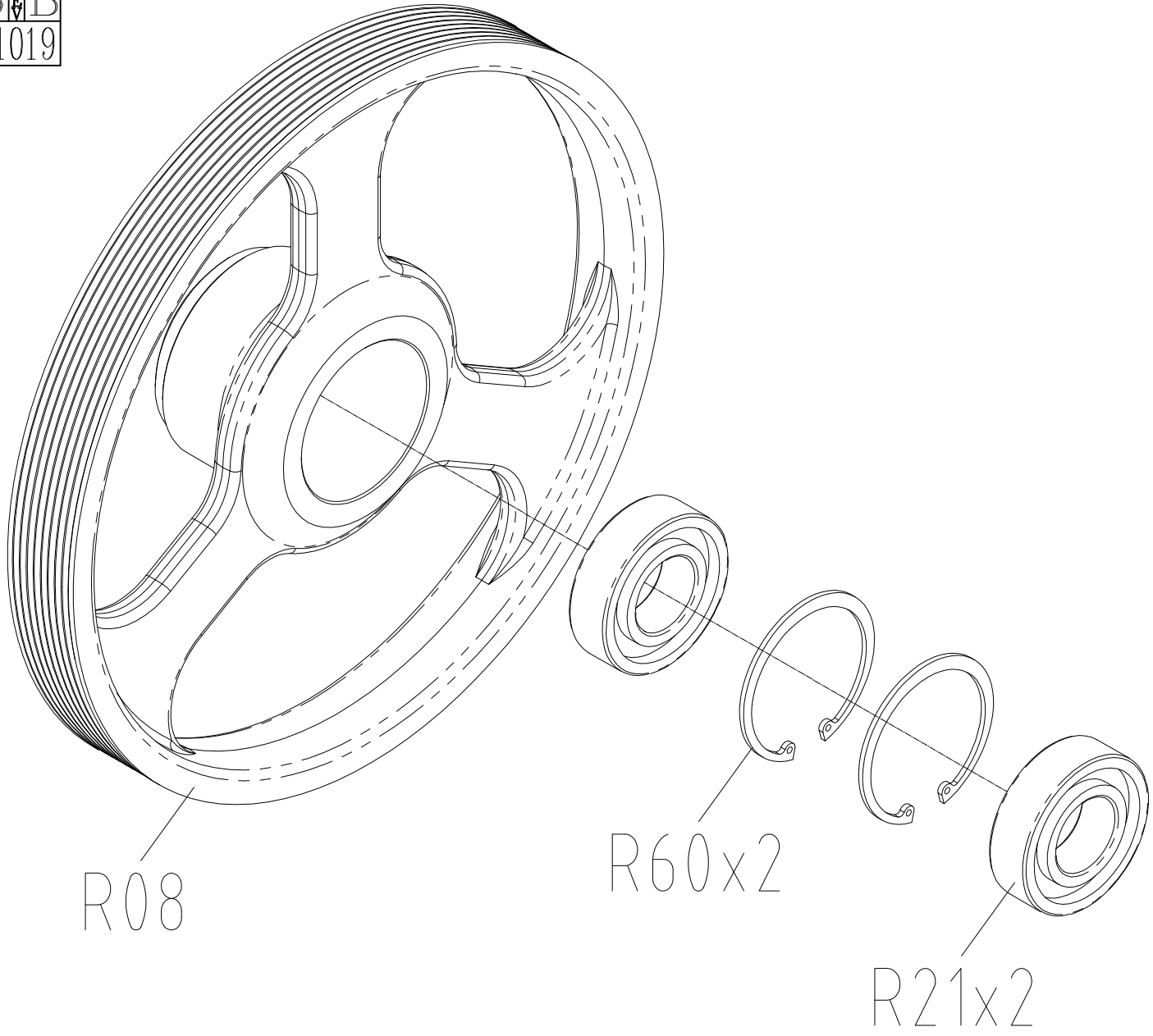


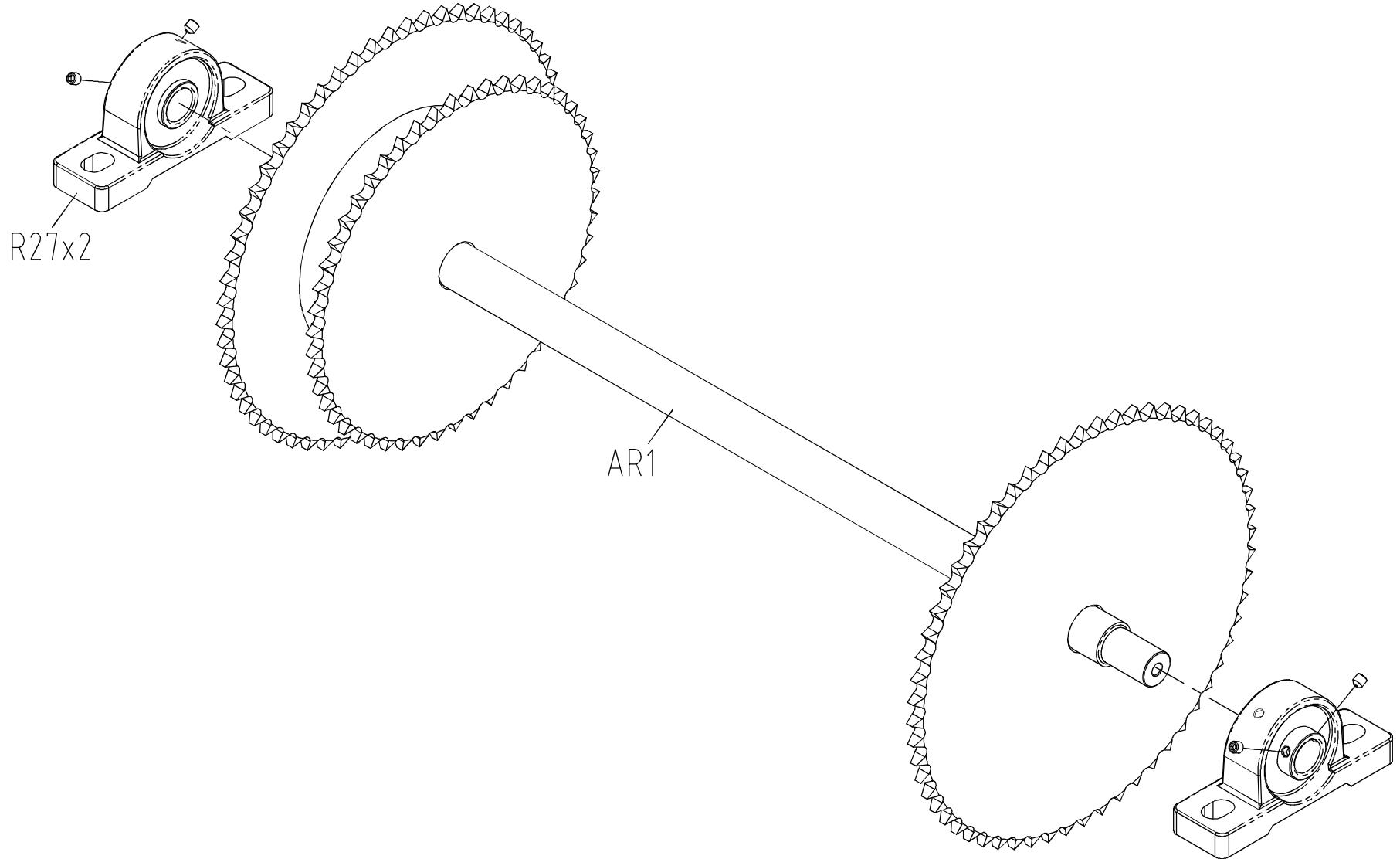
DRAWING NO	CS17-AP15		
PART NAME	E-PORT_FIX_PLATE_SET		
PART NO	1000203645		
APPROVE	Sunny	DATE	110513



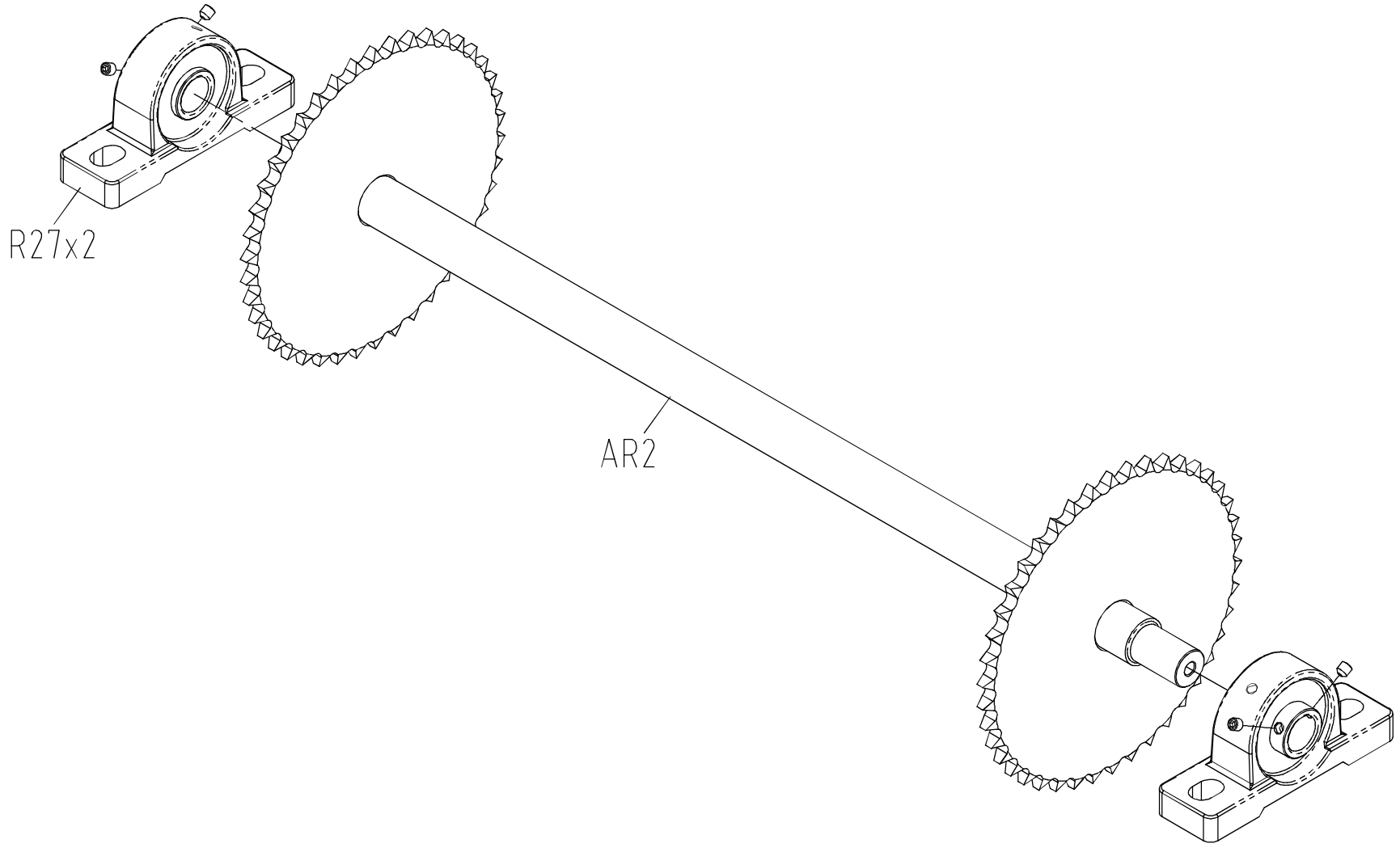
DRAWING NO	CS17-AR4		
PART NAME	PULLEY SET		
PART NO	1000212516 <small>REV</small> B		
APPROVE	JOHNNY	DATE	20111019




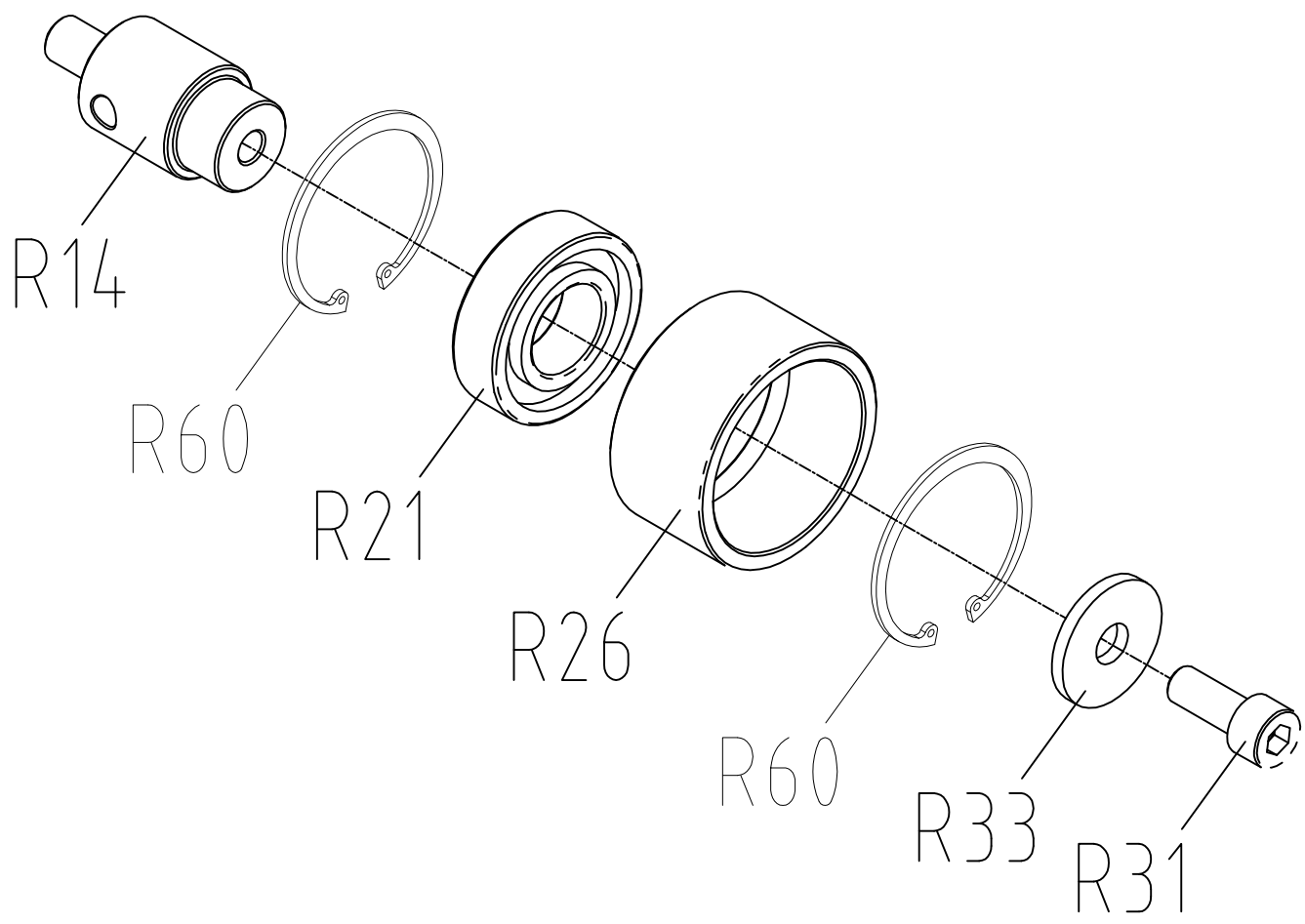
DRAWING NO	CS17-AR6		
PART NAME	SPROCKET SET:FRONT		
PART NO	1000212922		
APPROVE	S.T.C	DATE	20131231



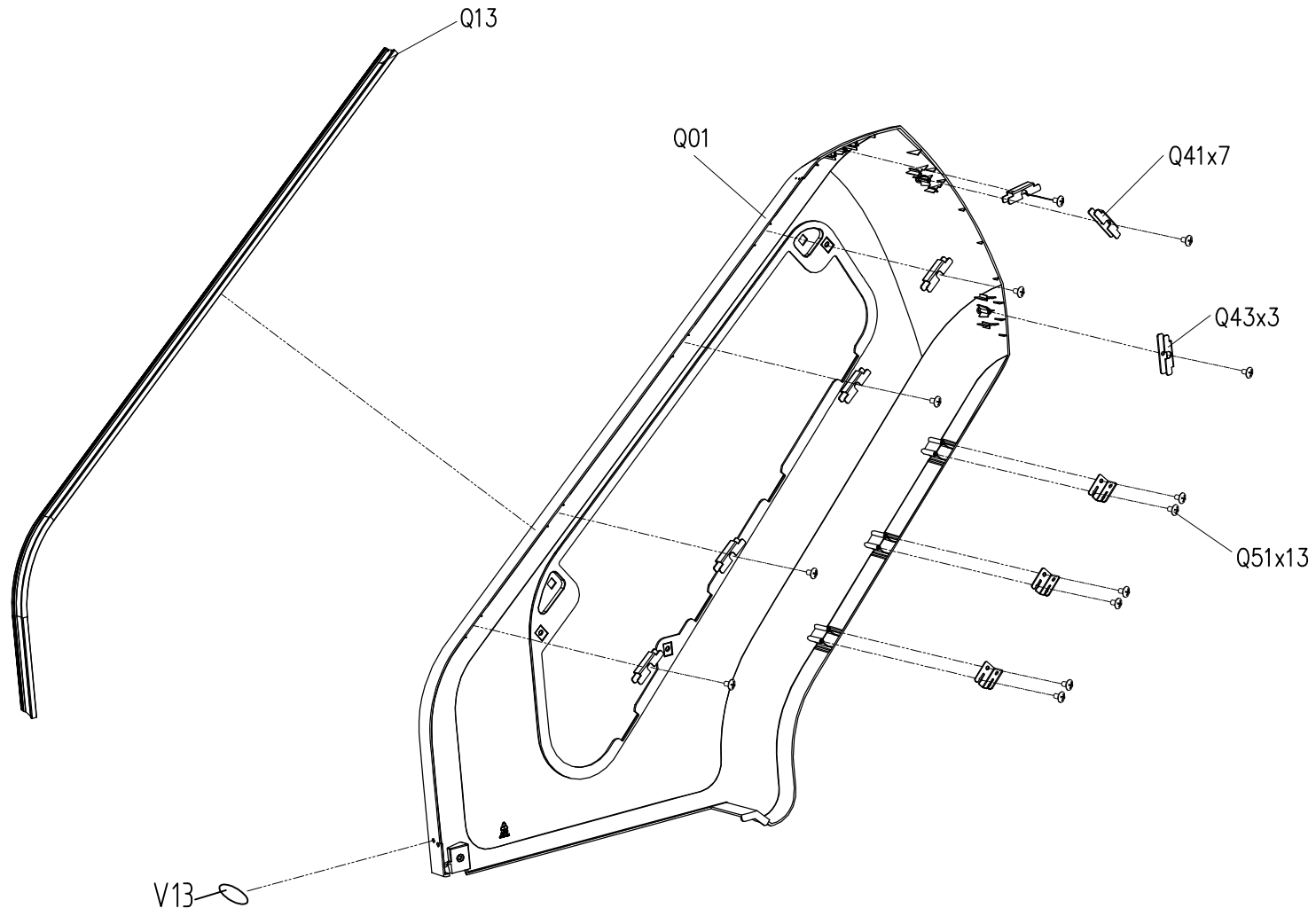
DRAWING NO	CS17-AR7		
PART NAME	SPROCKET_SET;REAR		
PART NO	1000212923		
APPROVE	S.T.C	DATE	20131231




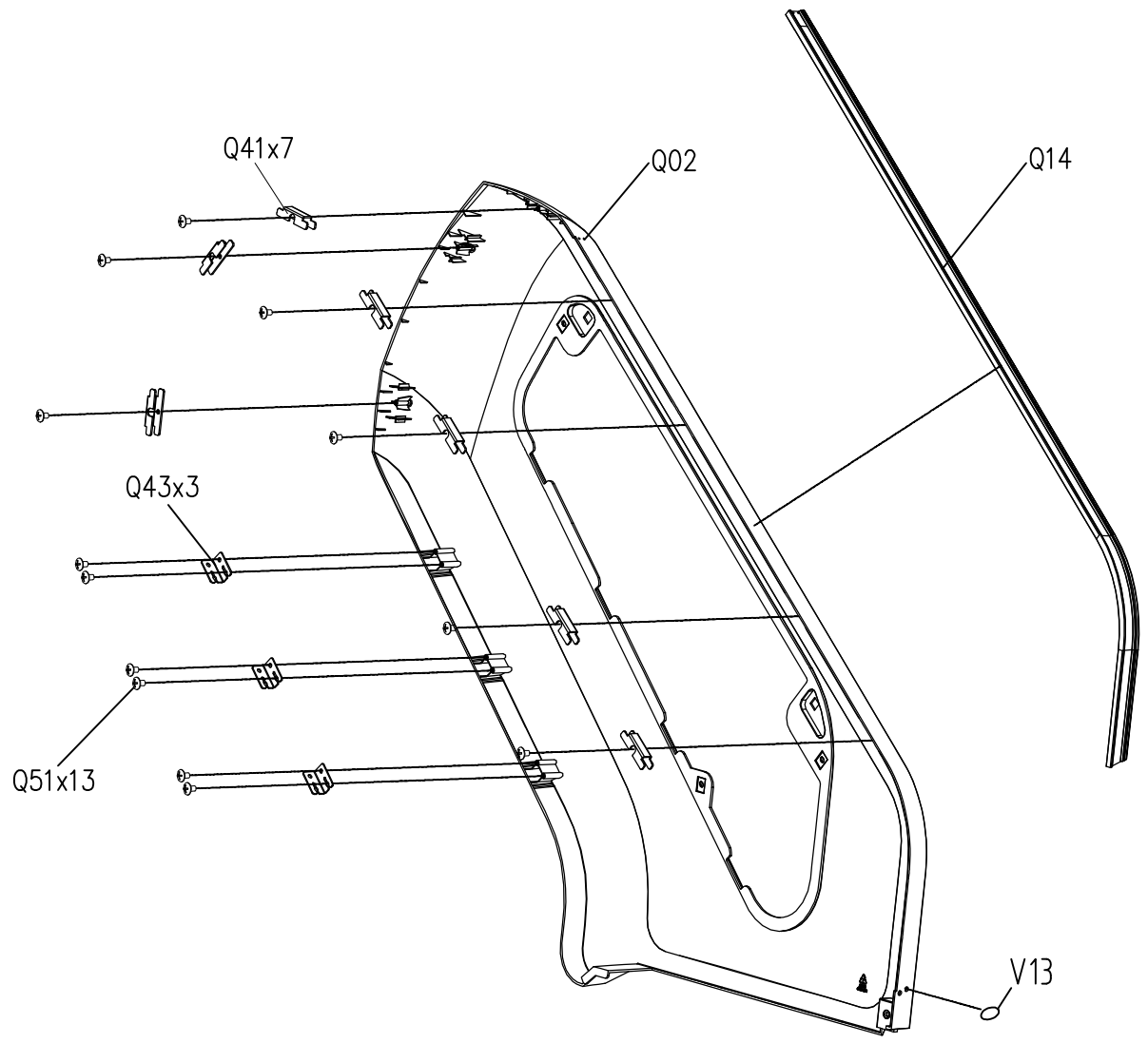
DRAWING NO	CS17-AR9		
PART NAME	IDLER_SET		
PART NO	1000217719  B		
APPROVE	JOHNNY	DATE	20111020



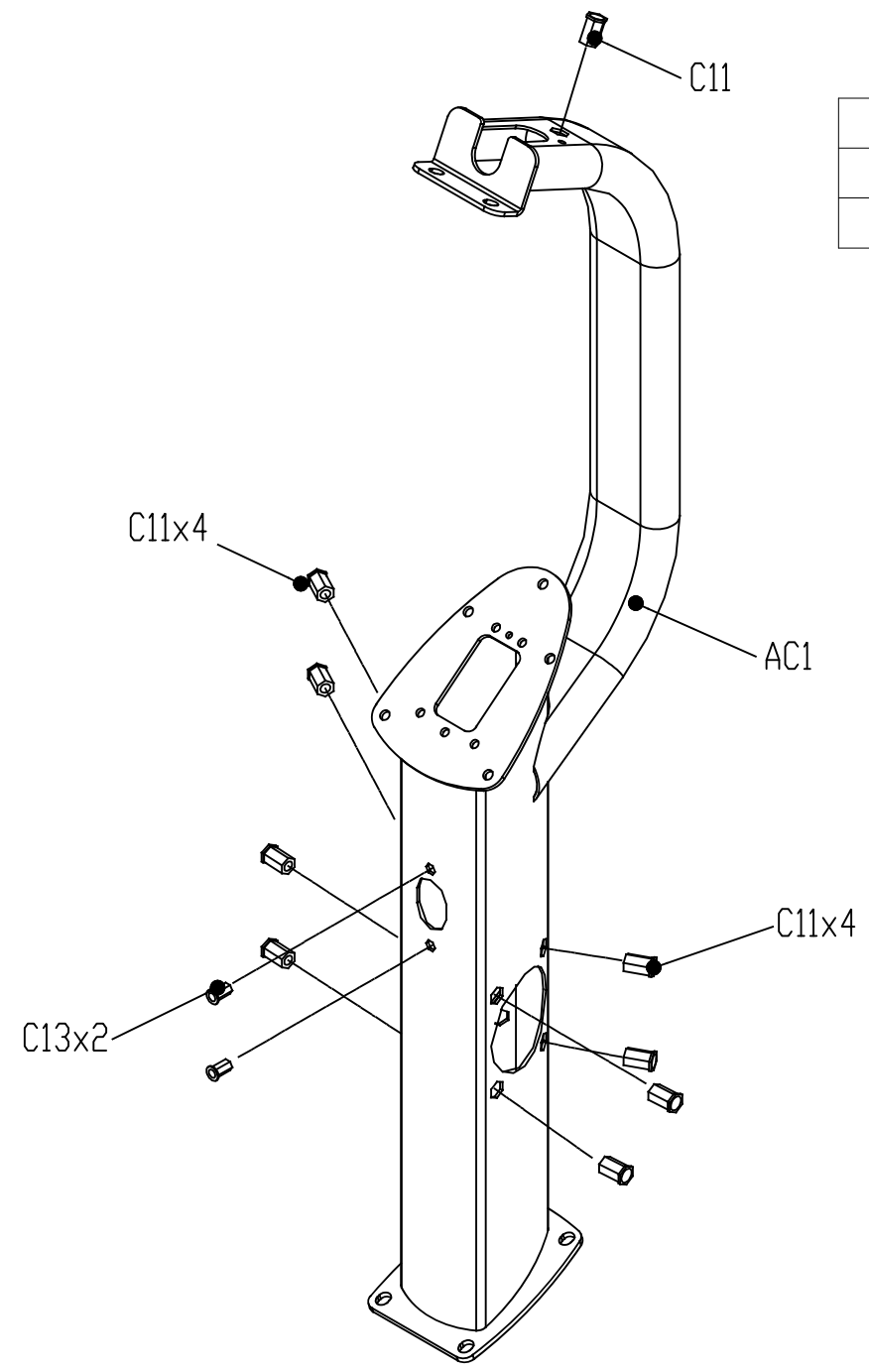
DRAWING NO	CS21-AQ11		
PART NAME	SIDE_COVER_SET;L		
PART NO	1000229943 B		
APPROVE	Kenny	DATE	20130423



DRAWING NO	CS21-AQ12		
PART NAME	SIDE_COVER_SET;R		
PART NO	1000229944  B		
APPROVE	KENNY	DATE	20130423

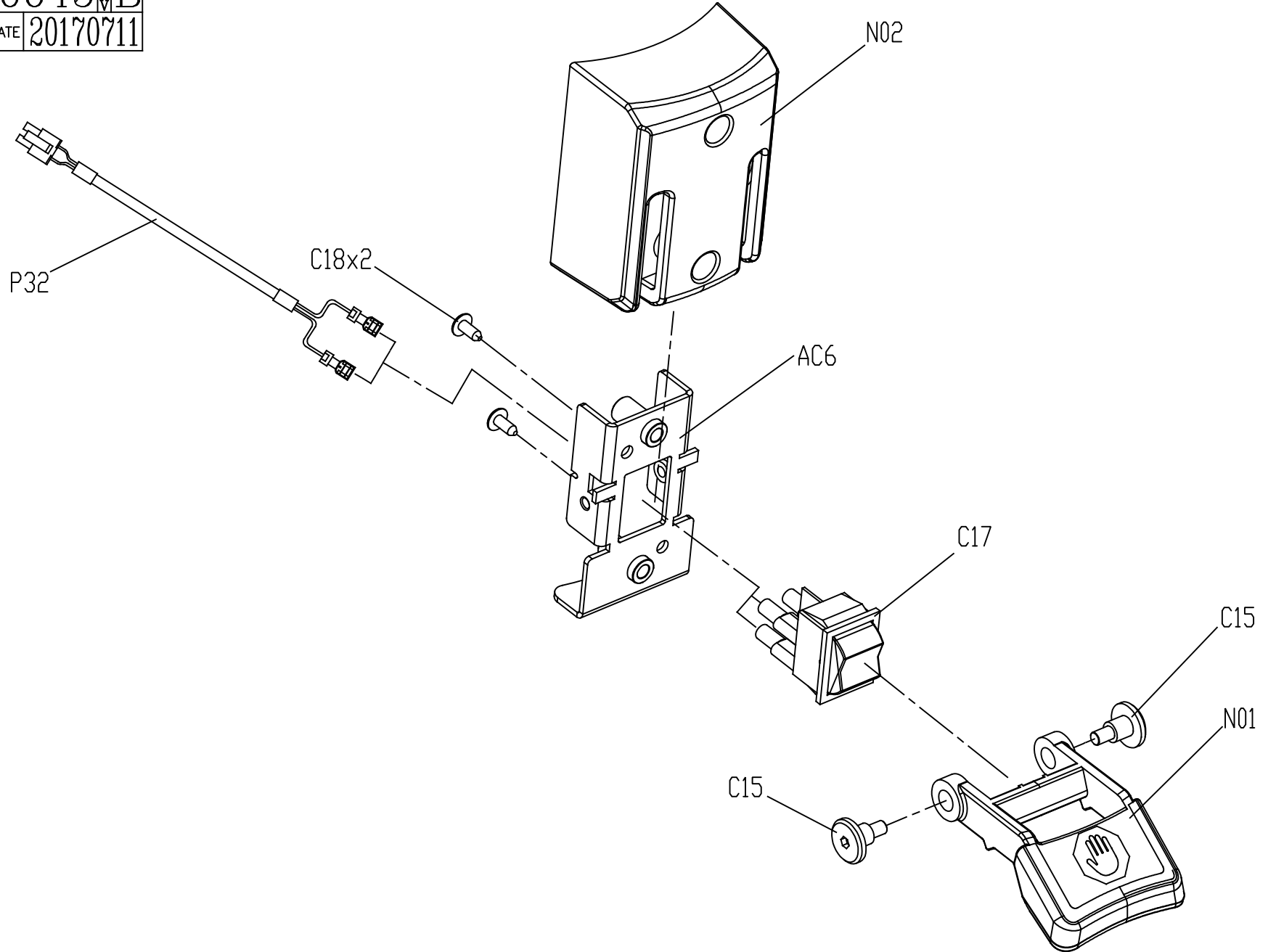


DRAWING NO	CS29-AC11		
PART NAME	console mast set		
PART NO	At attached chart  A		
APPROVE	MING	DATE	20170216

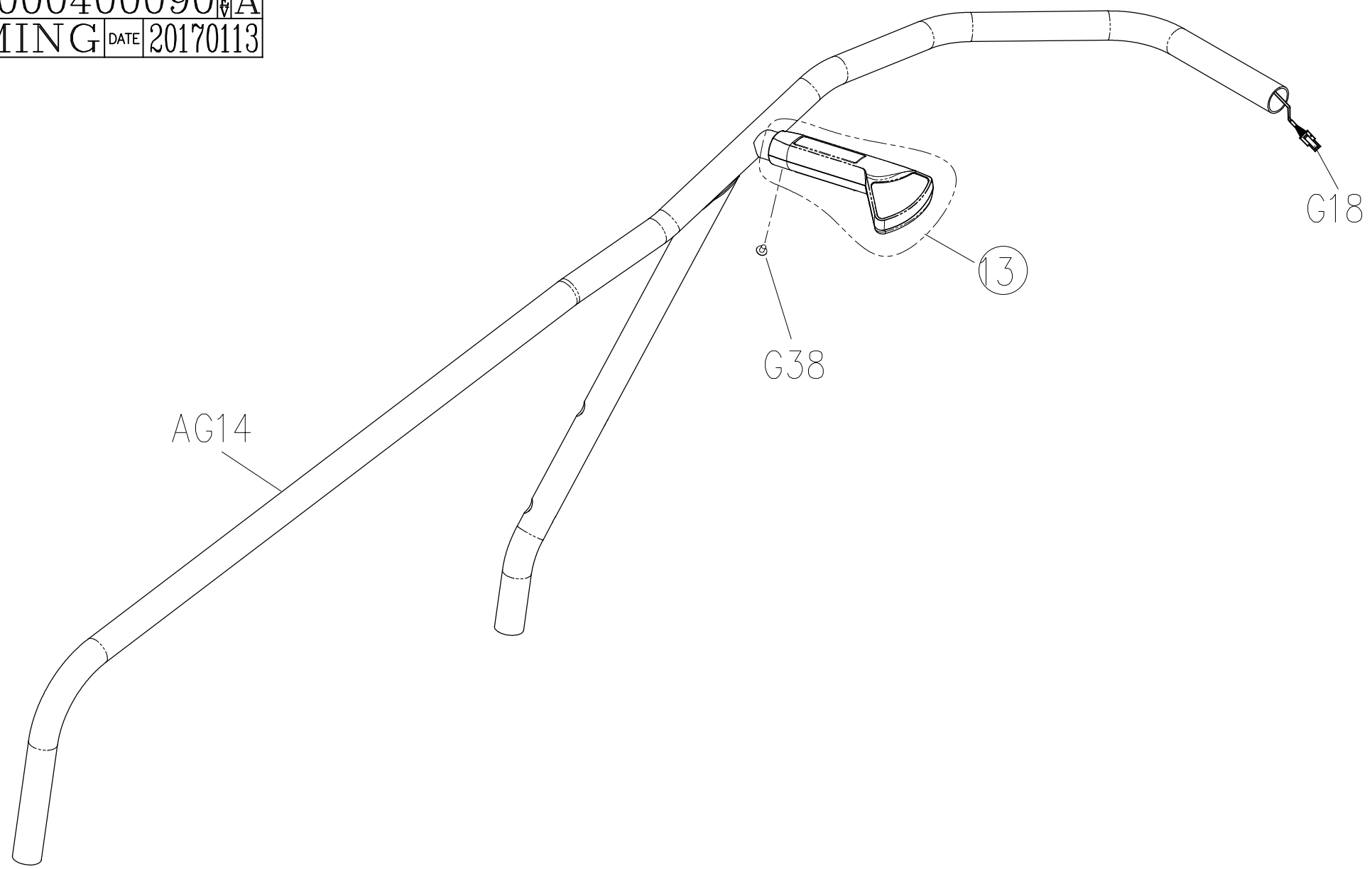


SAP NO.	Description
1000400037	Matrix 銀灰色 (SLIVER)
1000400043	霧黑 (BLACK MATTE)

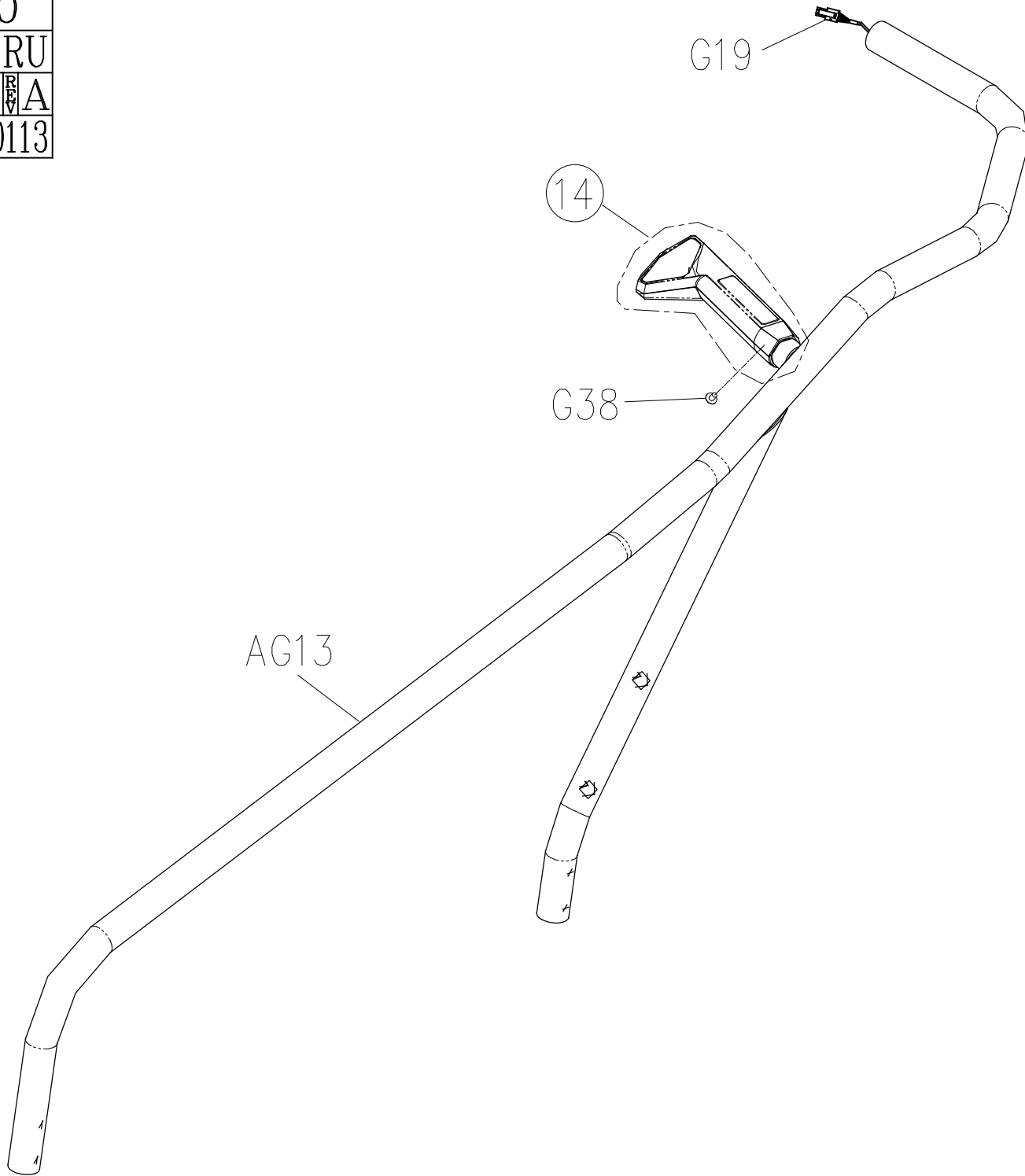
DRAWING NO	CS29-AC5		
PART NAME	Safety Switch Set		
PART NO	1000400045	REV	B
APPROVE	MING	DATE	20170711



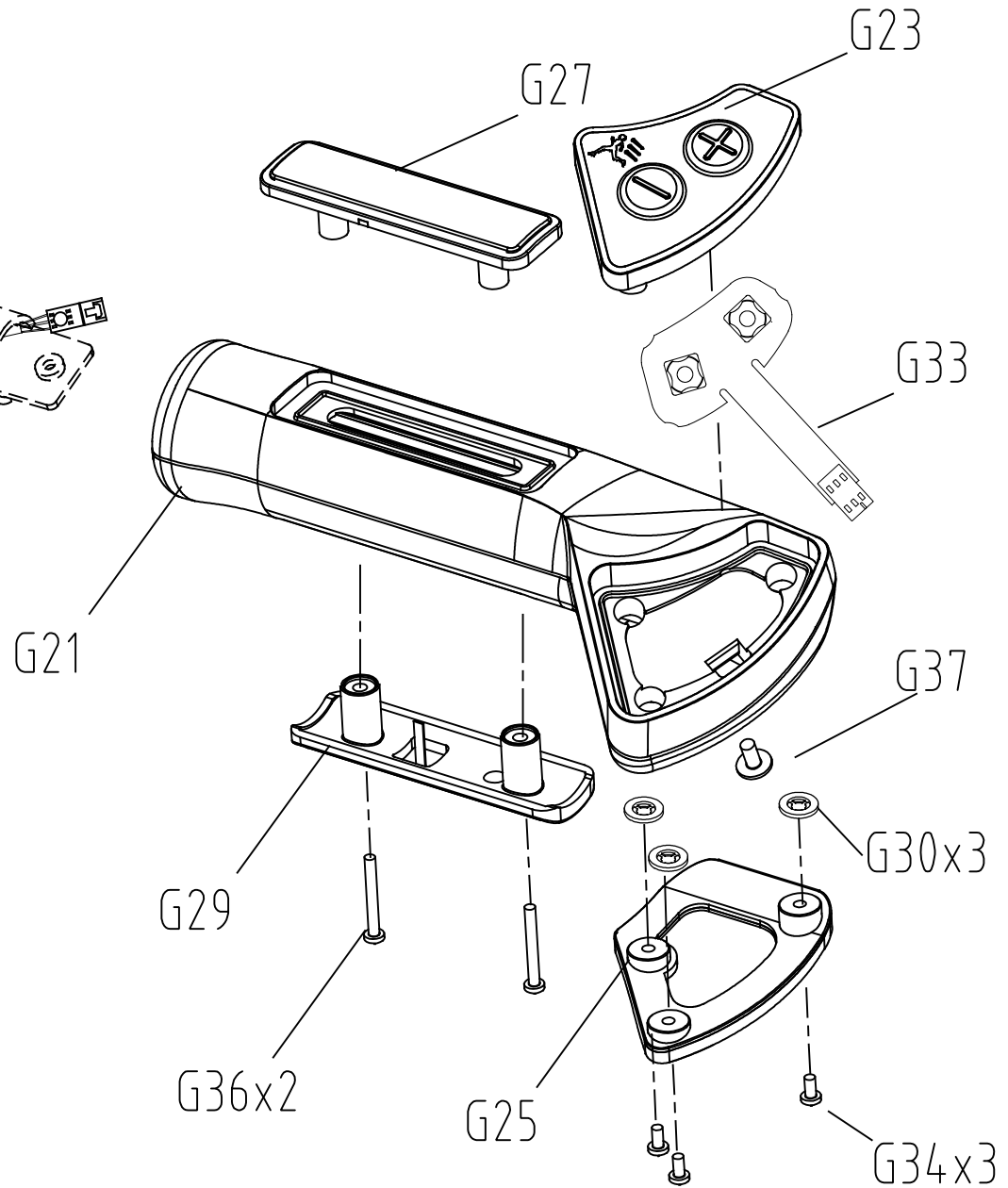
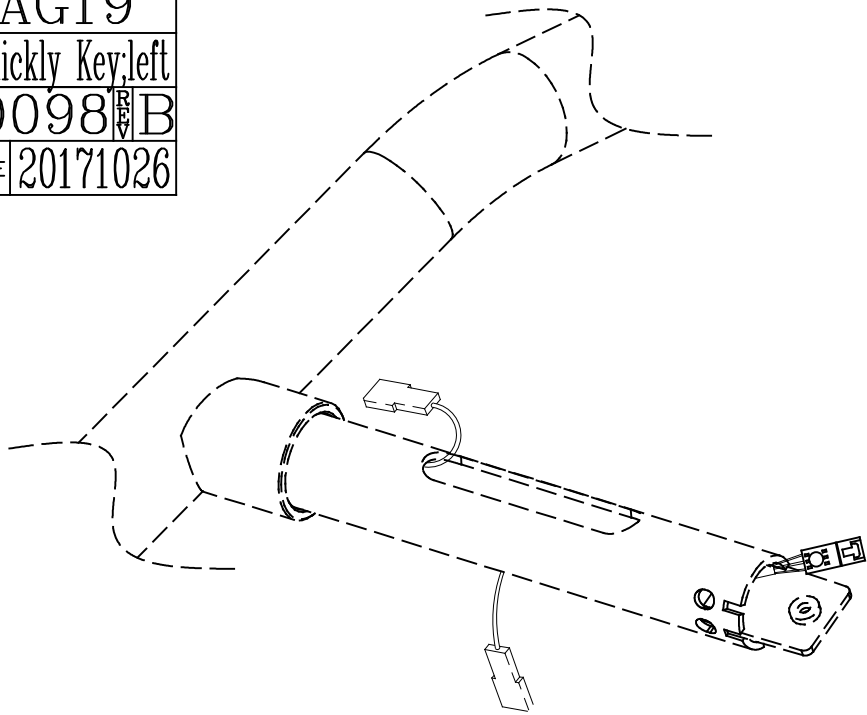
DRAWING NO	CS29-AG18		
PART NAME	ARM_REST_SET;LU		
PART NO	1000400090	REV	A
APPROVE	MING	DATE	20170113



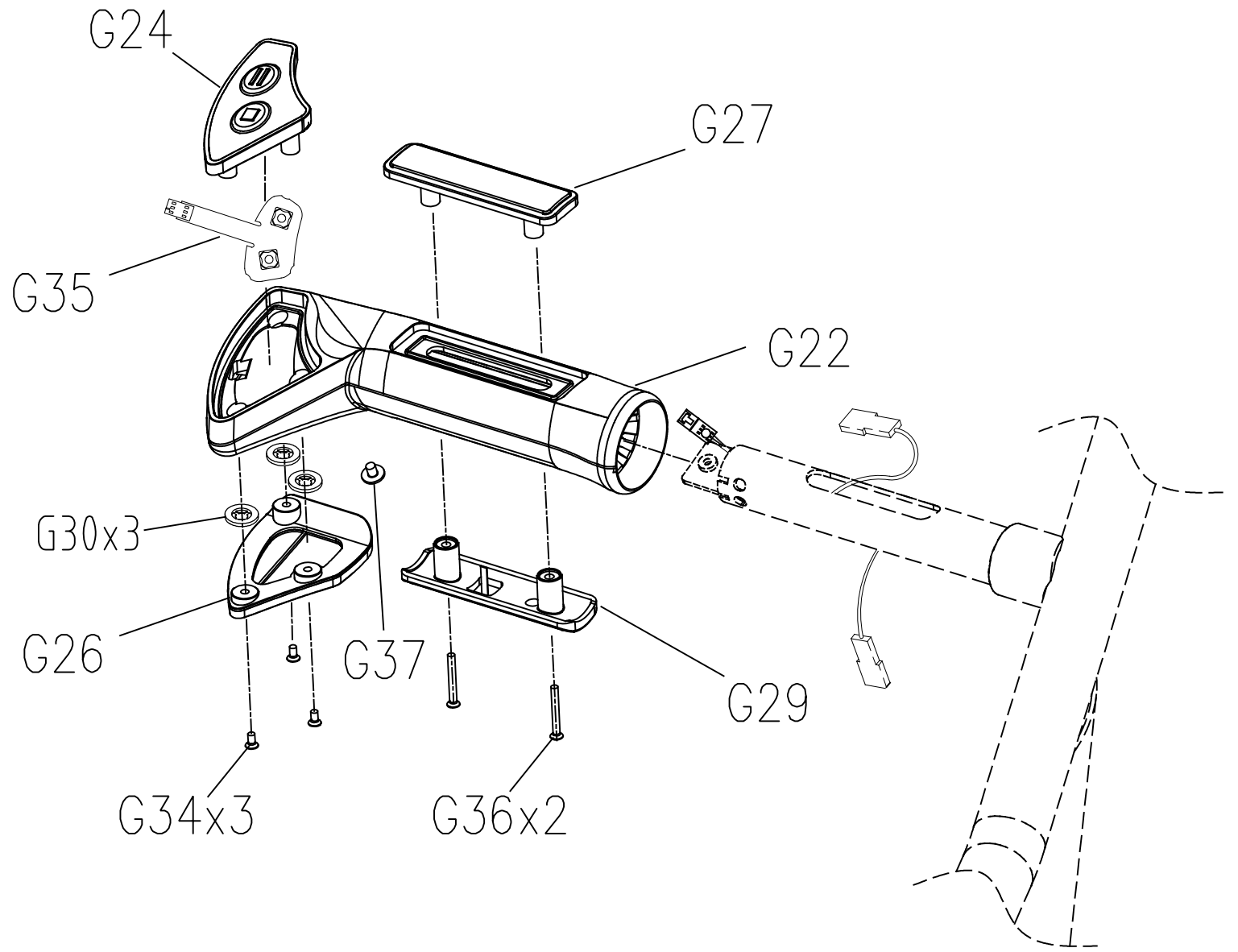
DRAWING NO	CS29-AG20		
PART NAME	ARM_REST_SET;RU		
PART NO	1000400091	REV	A
APPROVE	MING	DATE	20170113



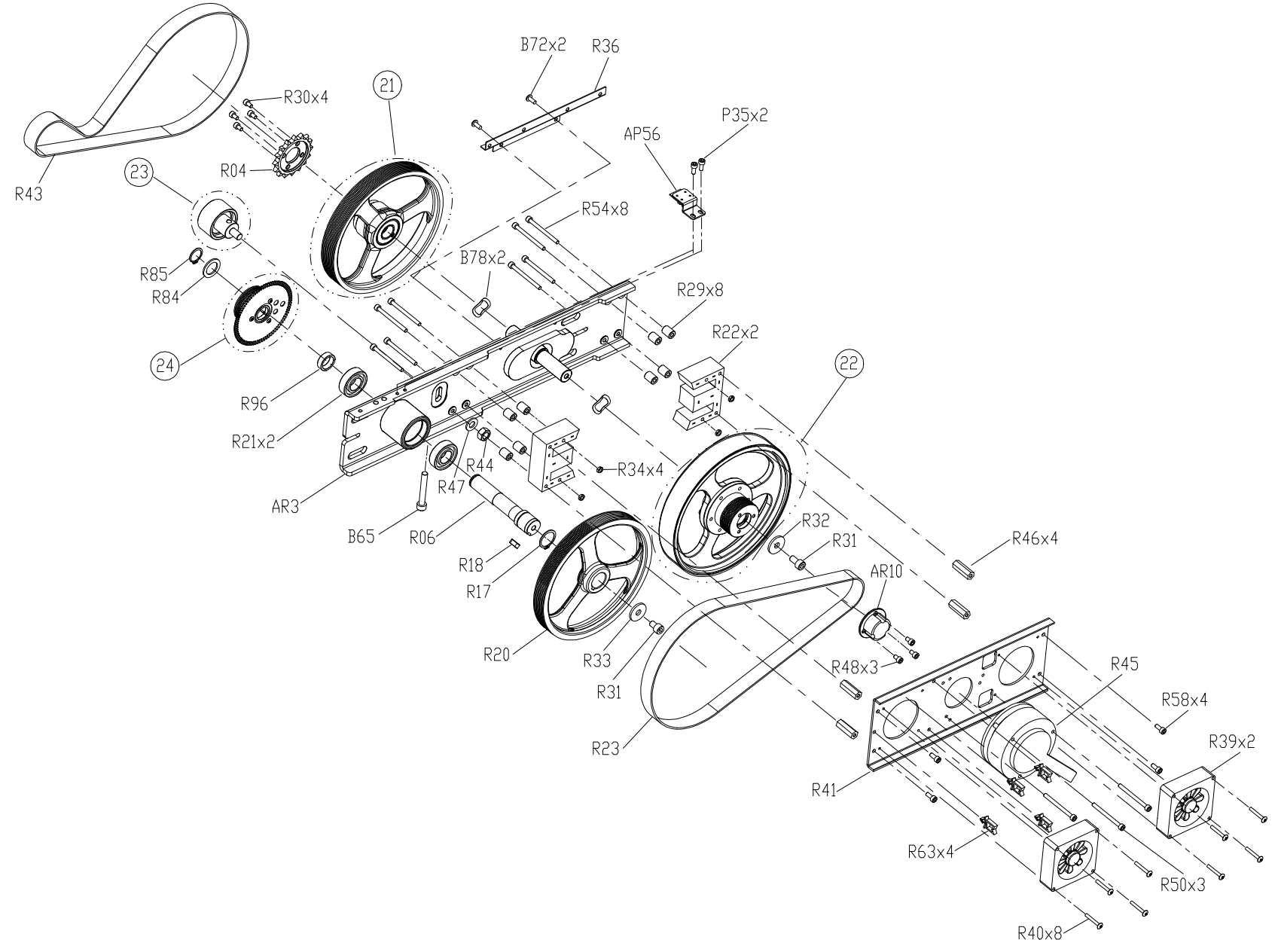
DRAWING NO	CS29-AG19		
PART NAME	Hand Grip Set;Quickly Key;left		
PART NO	1000400098 B		
APPROVE	Jimmy	DATE	20171026




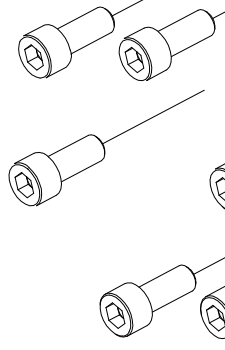
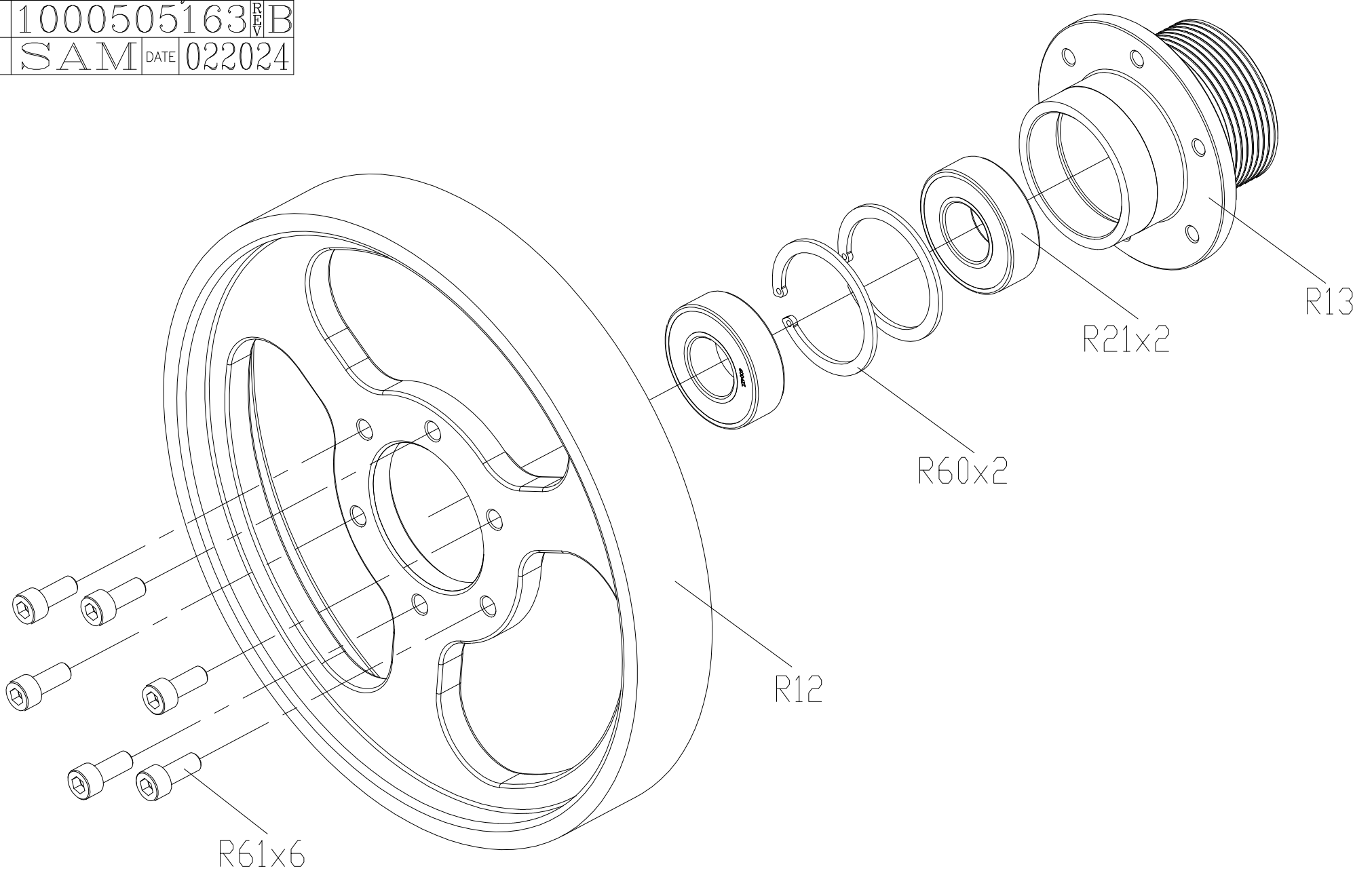
DRAWING NO	CS29-AG21		
PART NAME	Hand Grip Set;Quickly Key:right		
PART NO	1000400122B		
APPROVE	JIMMY	DATE	20171024



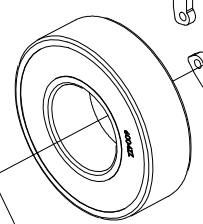
DRAWING NO	CS34-AR11		
PART NAME	Transmission system Set		
PART NO	1000474011 <small>R/C</small>		
APPROVE	SAM	DATE	022024



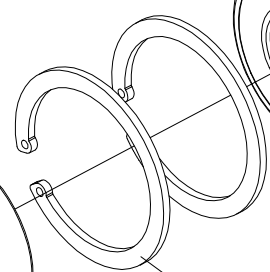
DRAWING NO	CS34-AR5		
PART NAME	Transmission system Set		
PART NO	1000505163  B		
APPROVE	SAM	DATE	022024



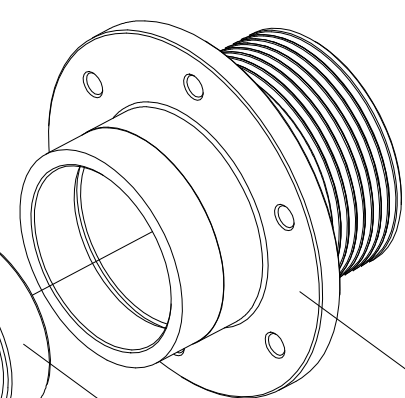
R61x6



R21x2



R60x2



R13

R12

DRAWING NO	CS29-AR17		
PART NAME	Poly-V Pulley Set		
PART NO	1000445353 <small>REV</small> B		
APPROVE	Castiel	DATE	20190920

