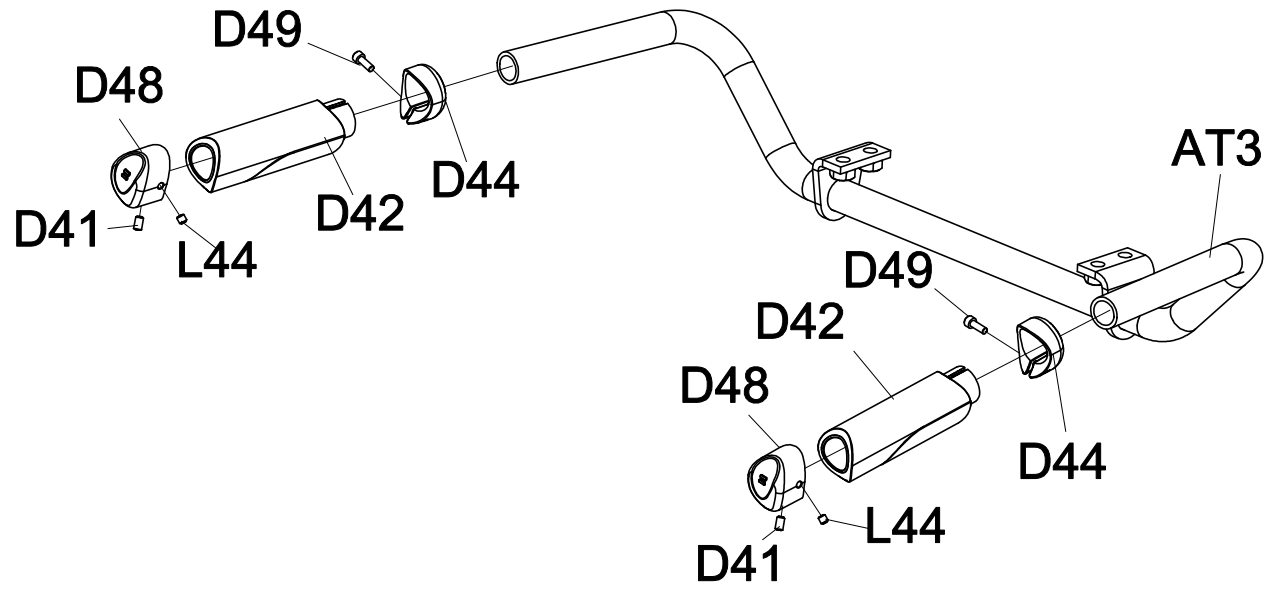




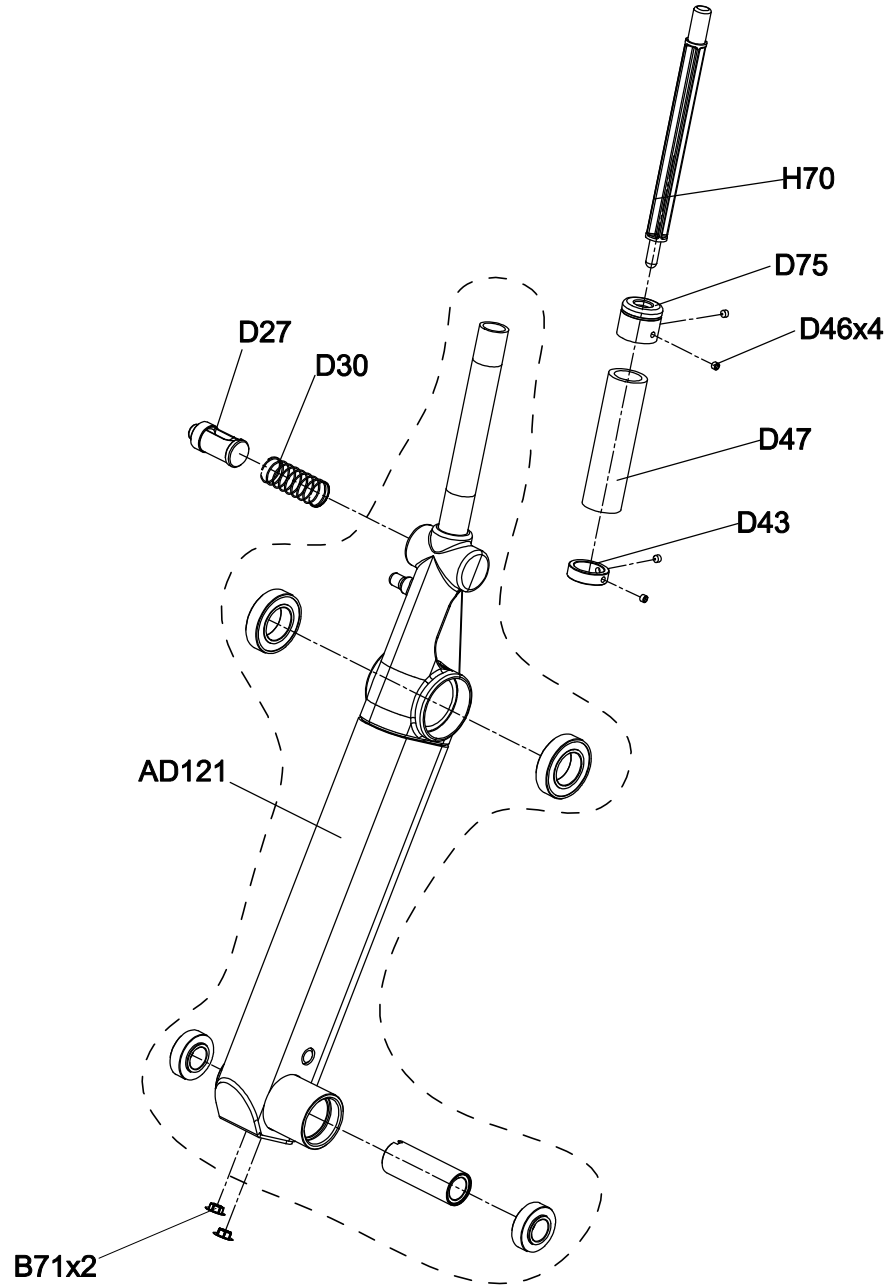
DRAWING NO	GM113-SF01		
PART NAME	Handle set : Assembling		
PART NO	See Chart		A
APPROVE	Yang Hong wu	DATE	02.03.2024

Part NO.	Color
1000413480	Iced Sliver
1000413612	Platinum
1000413616	Polarized Titanium
1000413620	Lace White
1000413624	Pearl White
1000413628	Mat Black
1000413633	Black Glossy
1000427310	PF Purple;RAL4008
1000440496	PF YELLOW RAL1023
1000504665	Graphite Grey



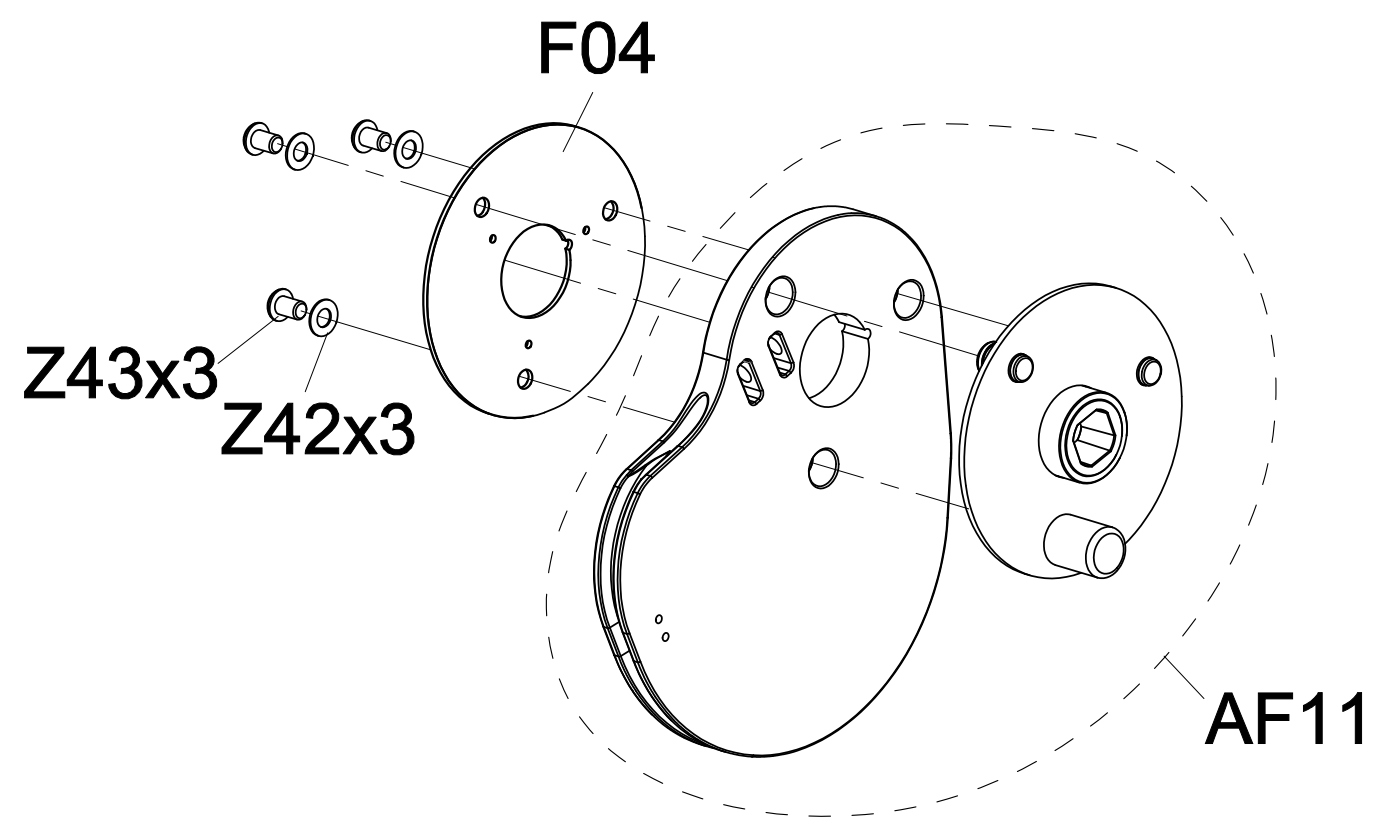
DRAWING NO	GM113F-SF02		
PART NAME	Swivel arm set : Assembling		
PART NO	See Chart	REV	A
APPROVE	Yang Hong wu	DATE	2024.02.03


Part NO.	Color
1000504650	Iced Sliver
1000504653	Platinum
1000504654	Polarized Titanium
1000504655	Lace White
1000504656	Graphite Grey
1000504657	Black Matte
1000504658	Black Glossy

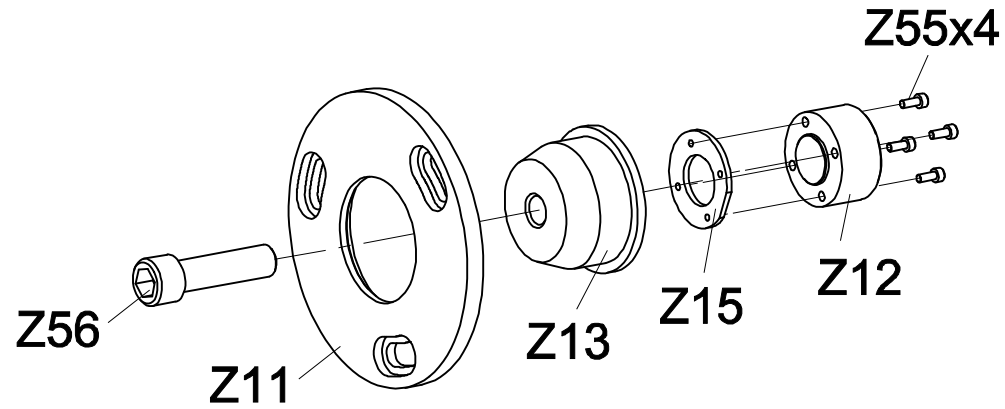


DRAWING NO	GM113-SF03		
PART NAME	Cam Fixing Set ; Assembling		
PART NO	See Chart	REV	A
APPROVE	wangtao	DATE	2023.03.23

Part NO.	Color
1000413479	Iced Sliver
1000413498	Platinum
1000413500	Polarized Titanium
1000413502	Lace White
1000413524	Pearl White
1000413531	Mat Black
1000413559	Black Glossy
1000427297	PF Purple;RAL4008
1000440495	PF YELLOW RAL1023
1000458005	Graphite Gray



DRAWING NO	GM113-SF04		
PART NAME	Disassembly connect set;CAM ;Assembling		
PART NO	1000420787		A
APPROVE	ALEX	DATE	06.25.2018



**Notes:**

Z11 and Z13, tight fit, must be equipped with hydraulic press.