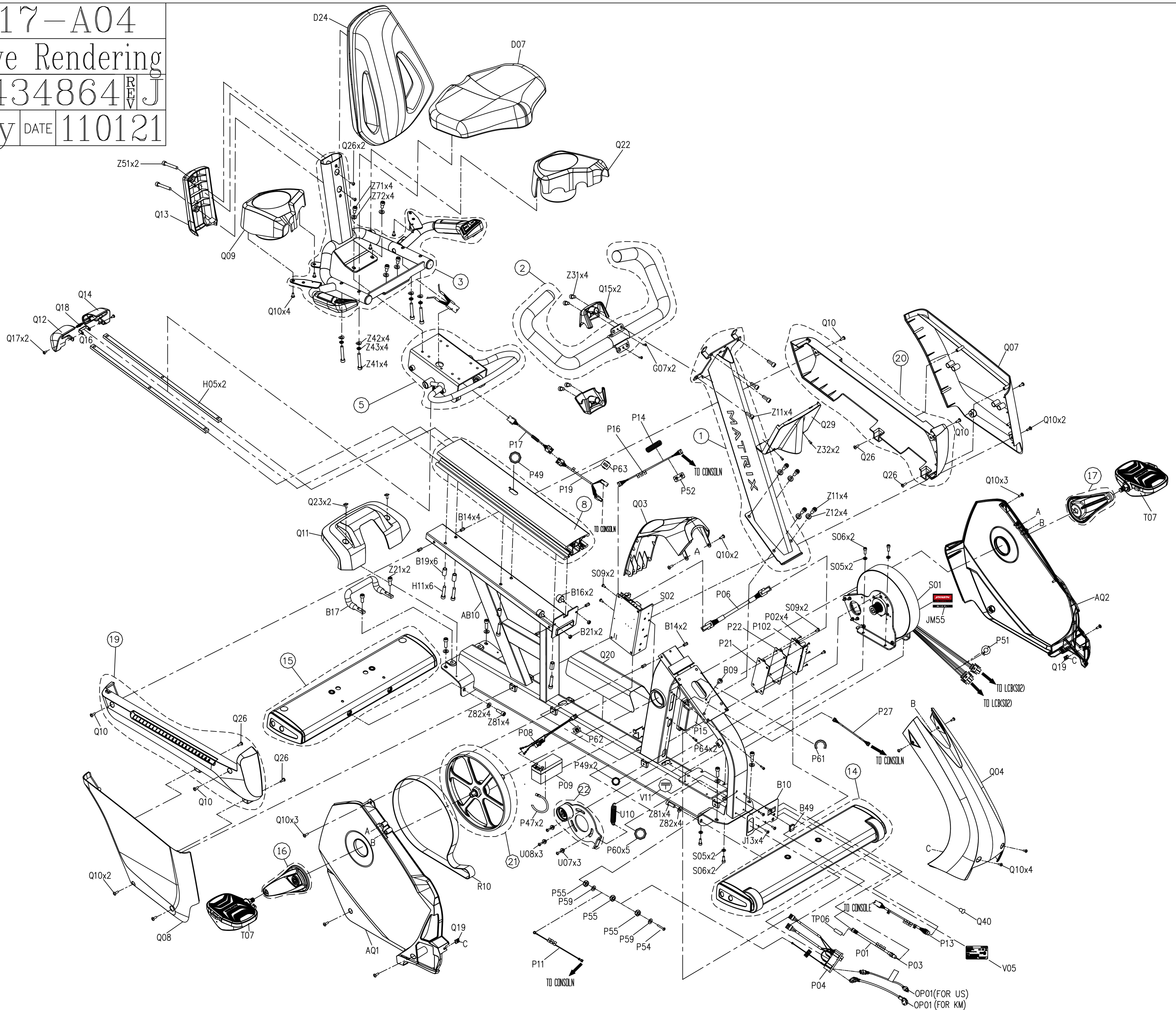
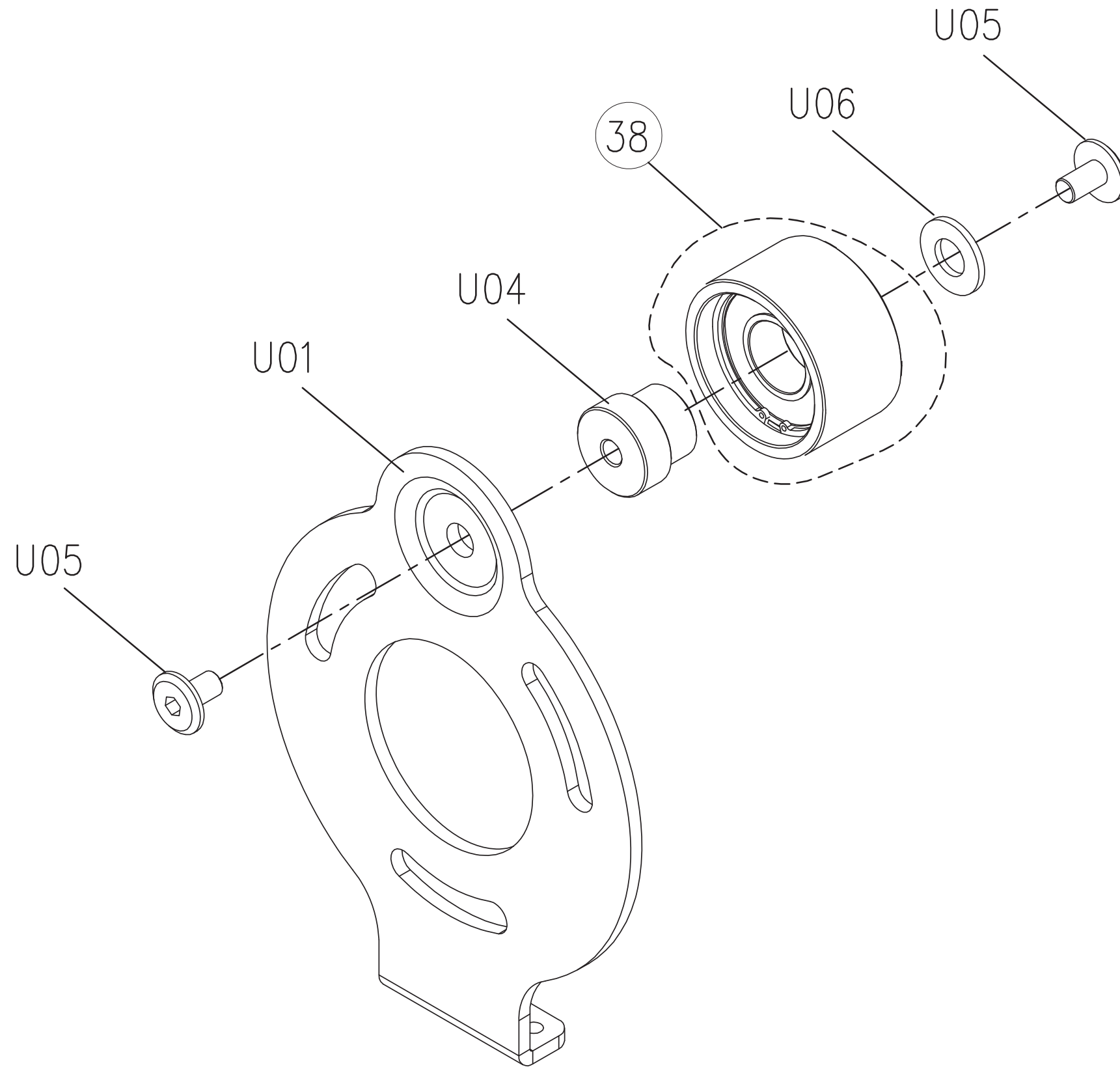


DRAWING NO	RB317-A04		
PART NAME	Explosive Rendering		
PART NO	1000434864	REV	J
APPROVE	Sunny	DATE	110121

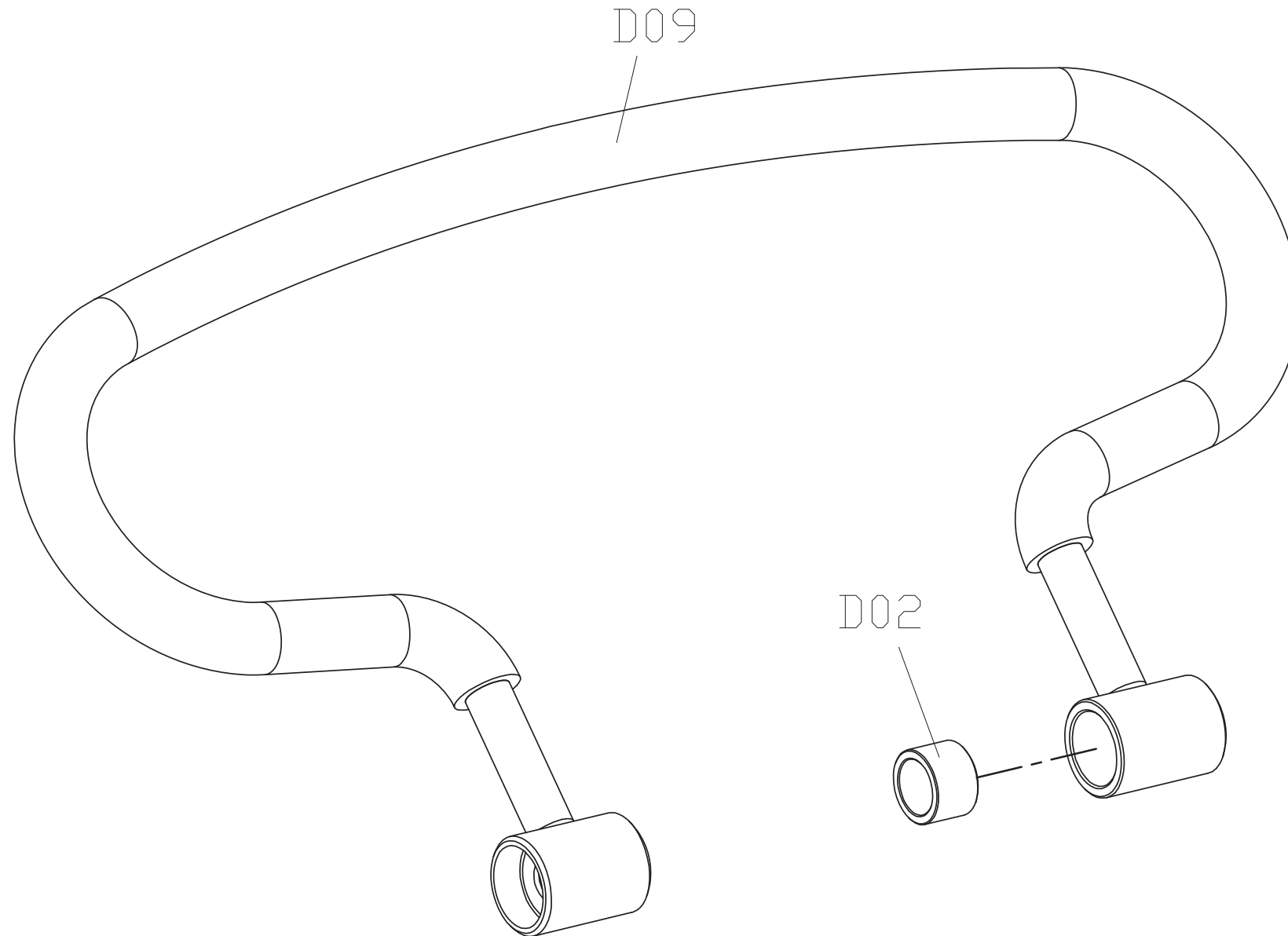
SAP NO.
MRB0465-00
MRB0466-00
MRB0467-00
MRB0473-00
MRB0474-00
MRB0658-00
MRB0722-00



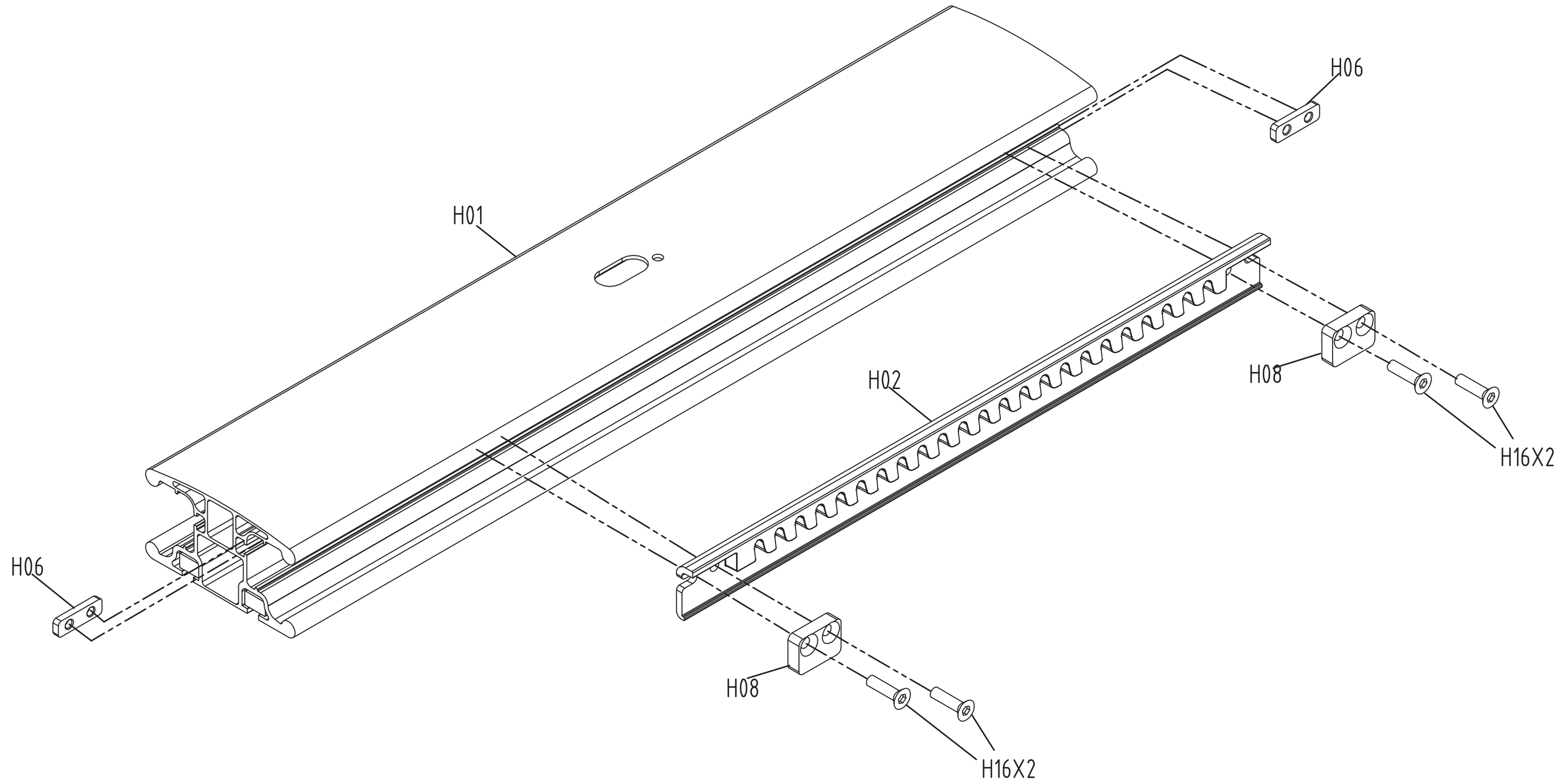
DRAWING NO	CB92-AU3		
PART NAME	Idler Fix Plate Set		
PART NO	1000230354 ^R _B		
APPROVE	KEN	DATE	20121217



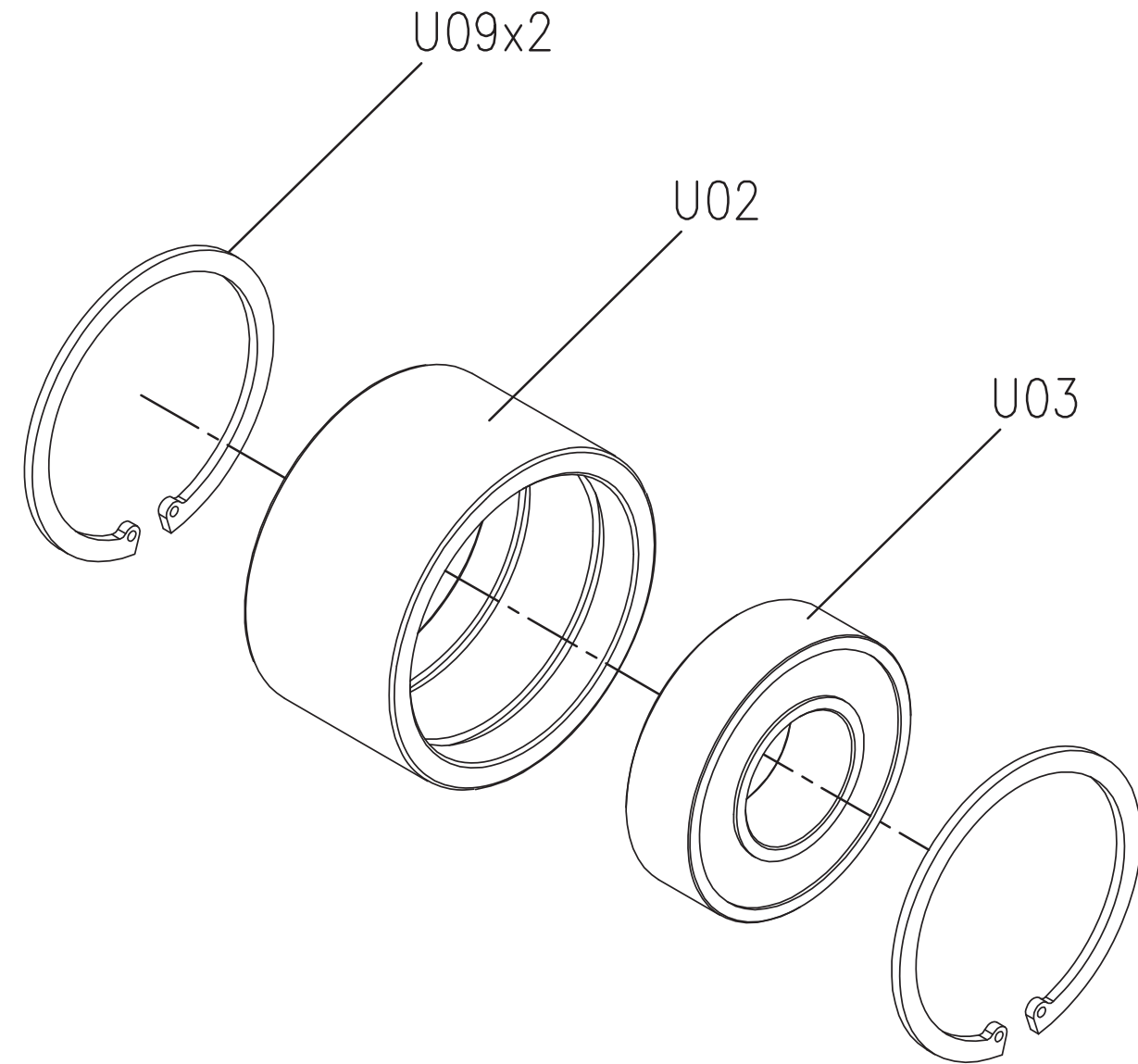
DRAWING NO	RB307-AG11		
PART NAME	ADJ Handbar		
PART NO	1000230420 ^R _E ^V _E B		
APPROVE	EASON	DATE	130108



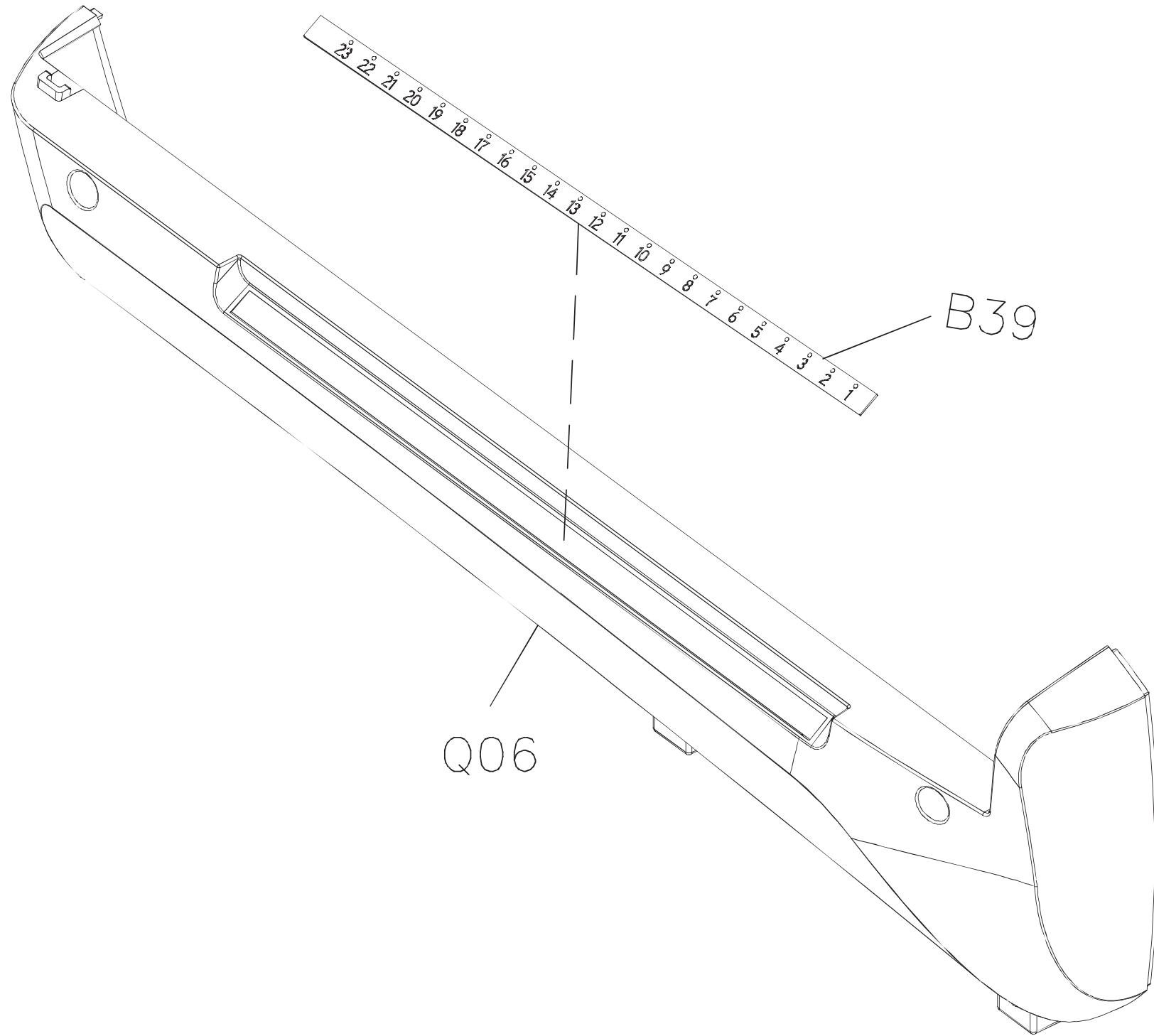
DRAWING NO	RB307-AH11		
PART NAME	Guide Rail Set		
PART NO	1000230429 ^R _D		
APPROVE	EASON	DATE	20130918



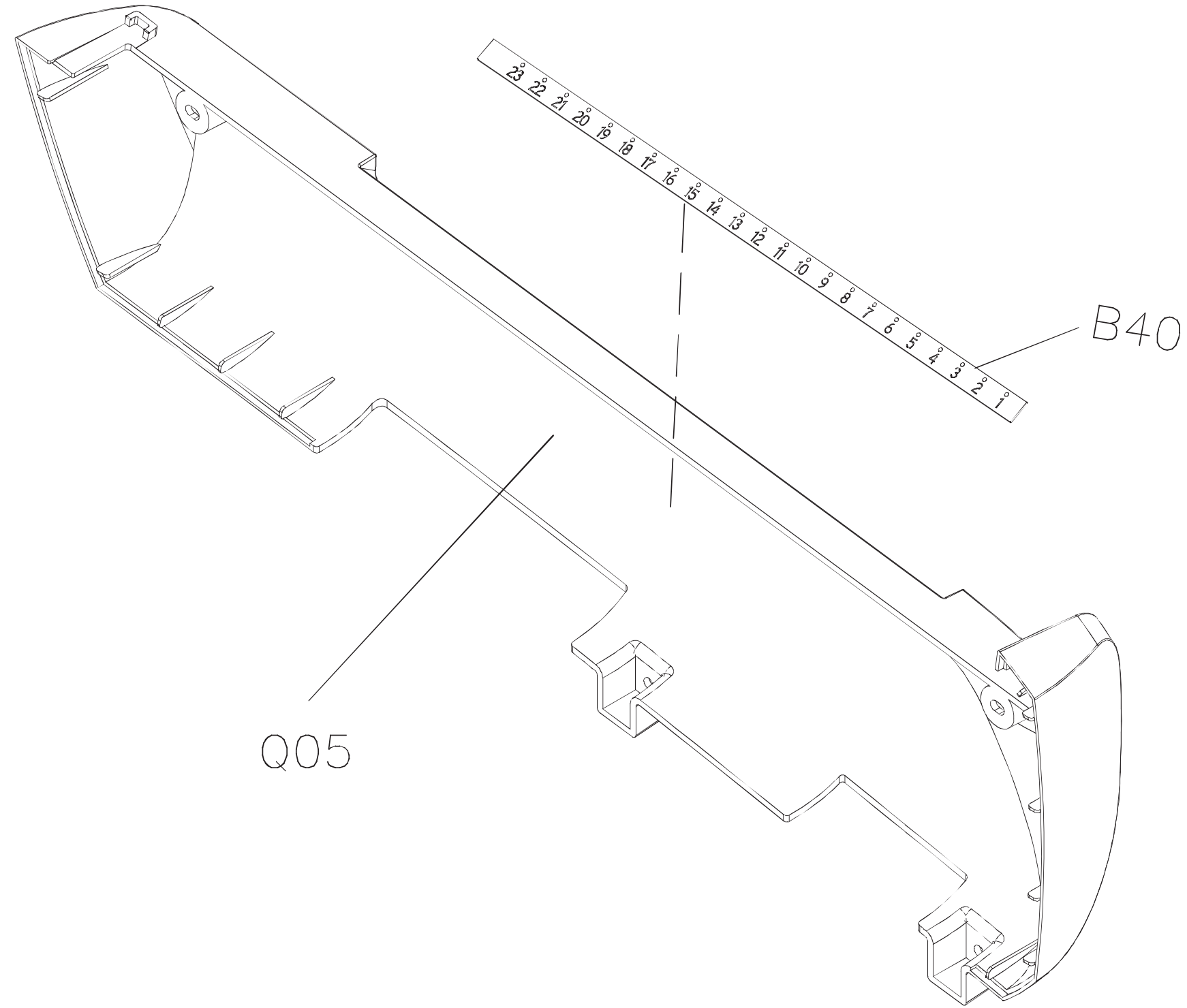
DRAWING NO	CB92-AU4		
PART NAME	Idler Set		
PART NO	1000307358	REV	B
APPROVE	KEN	DATE	20130116



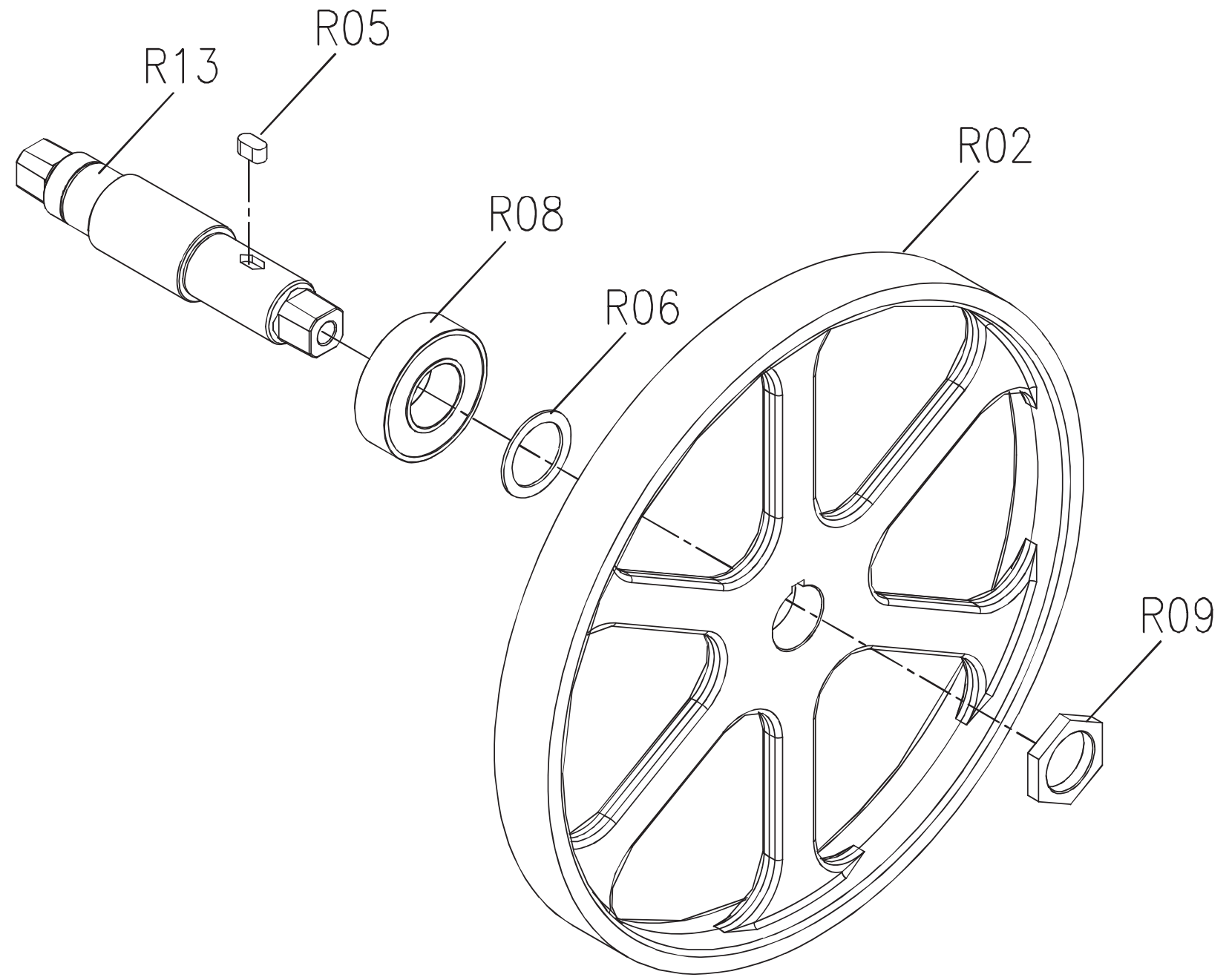
DRAWING NO	RB307-AQ3		
PART NAME	Right Guild Rail Cover Set		
PART NO	1000308337 <small>R</small> <small>E</small> <small>V</small> <small>B</small>		
APPROVE	EASON	DATE	20130205



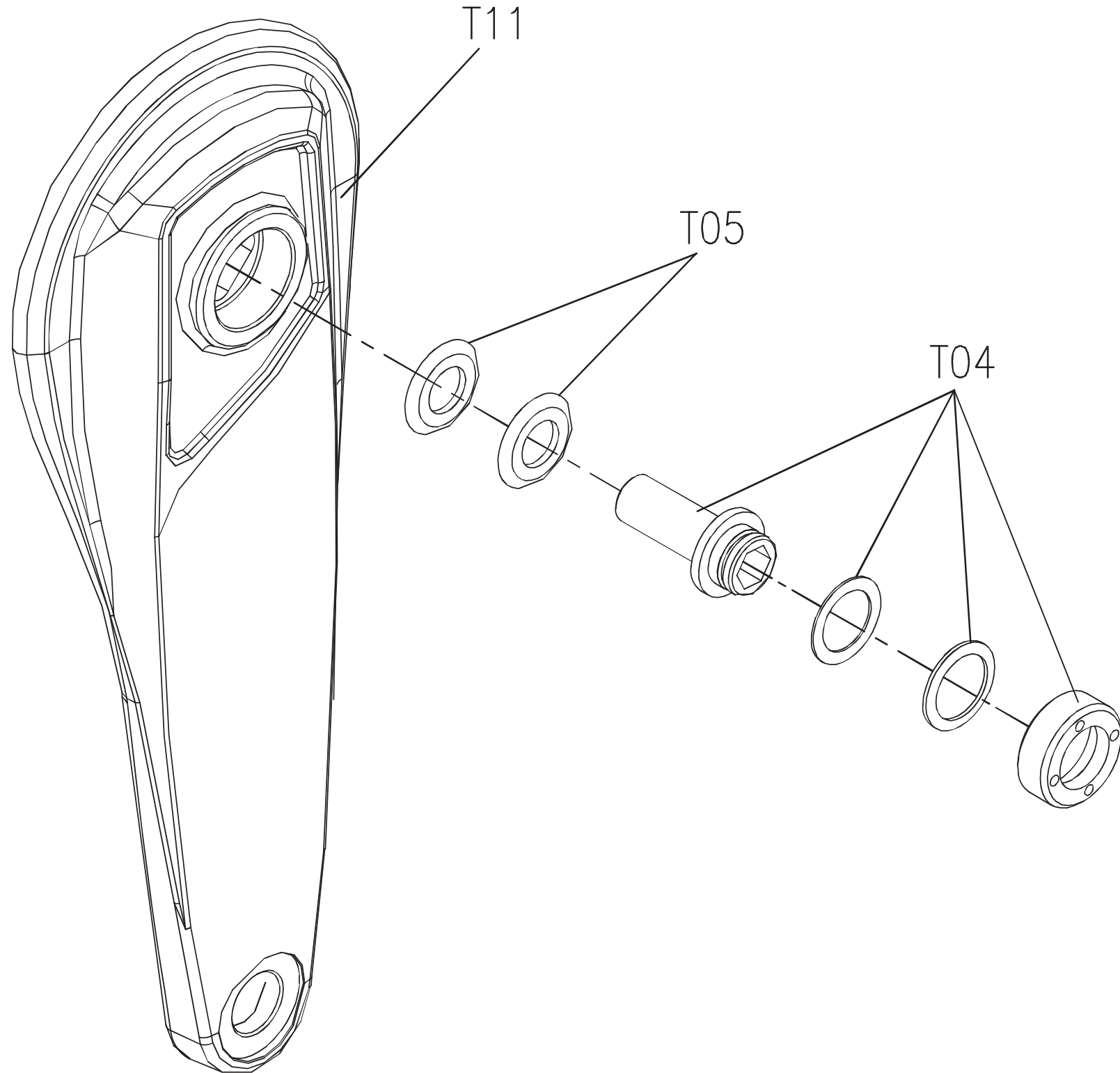
DRAWING NO	RB307-AQ4		
PART NAME	Left Guild Rail Cover Set		
PART NO	1000308338 ^R _B		
APPROVE	EASON	DATE	20130205



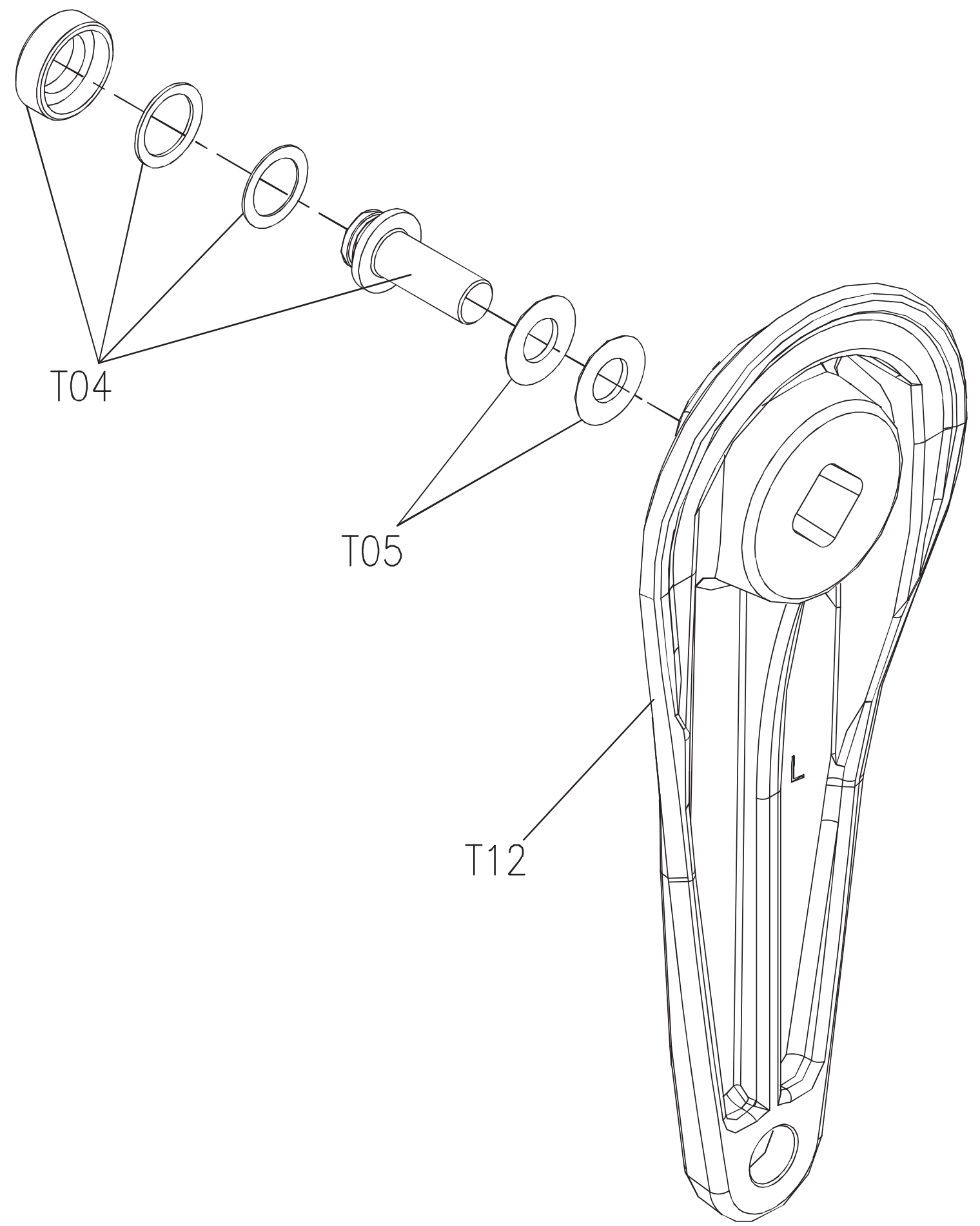
DRAWING NO	CB93-AR21		
PART NAME	Transmission Set		
PART NO	1000346721	$\frac{R}{E}$	B
APPROVE	KEN	DATE	20140408



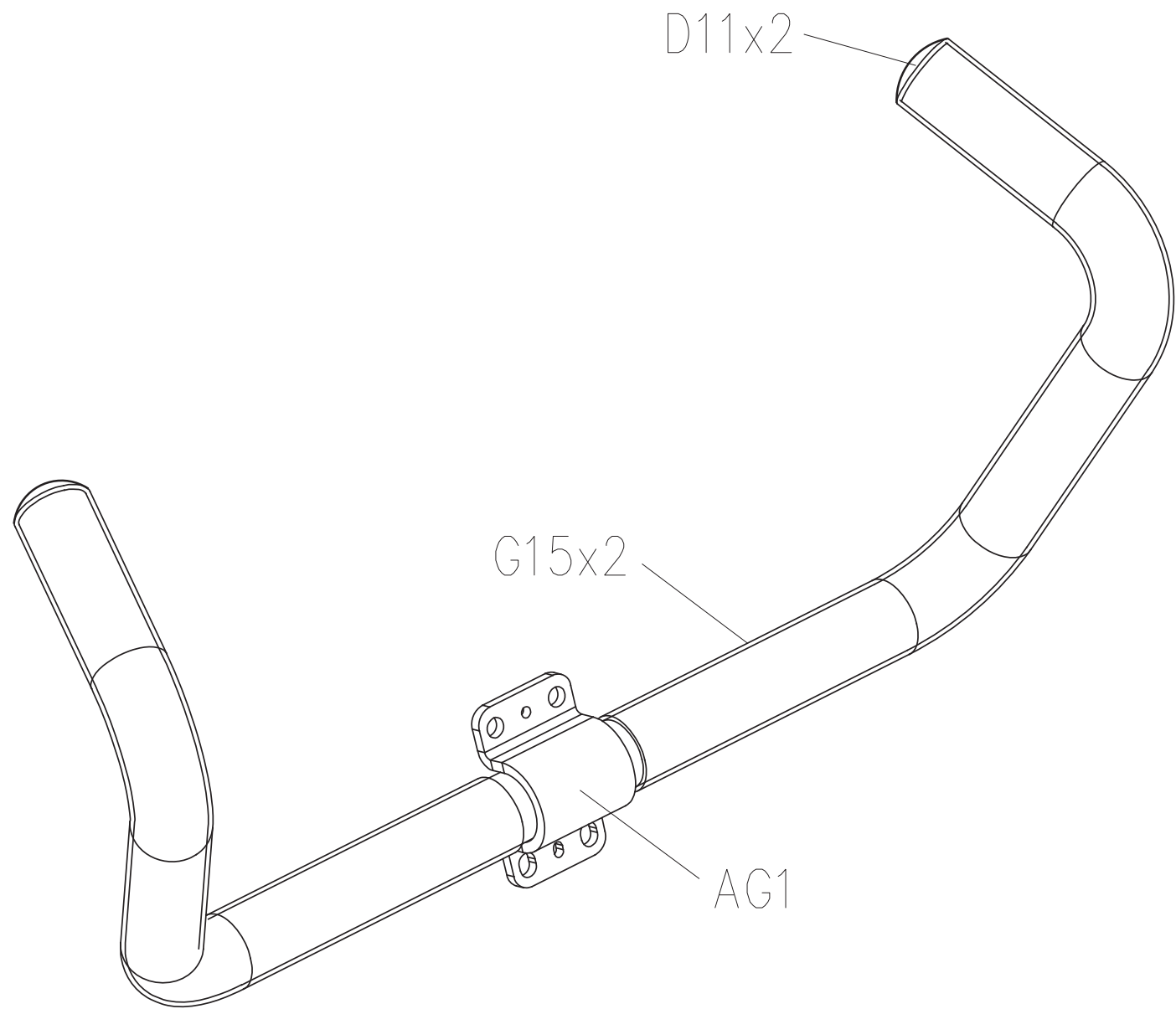
DRAWING NO	CB92-AT21		
PART NAME	Crank Set;R		
PART NO	1000346727	REV	B
APPROVE	KEN	DATE	20140408



DRAWING NO	CB92-AT22		
PART NAME	Crank Set;L		
PART NO	1000346728 <small>REV</small> B		
APPROVE	KEN	DATE	20140408

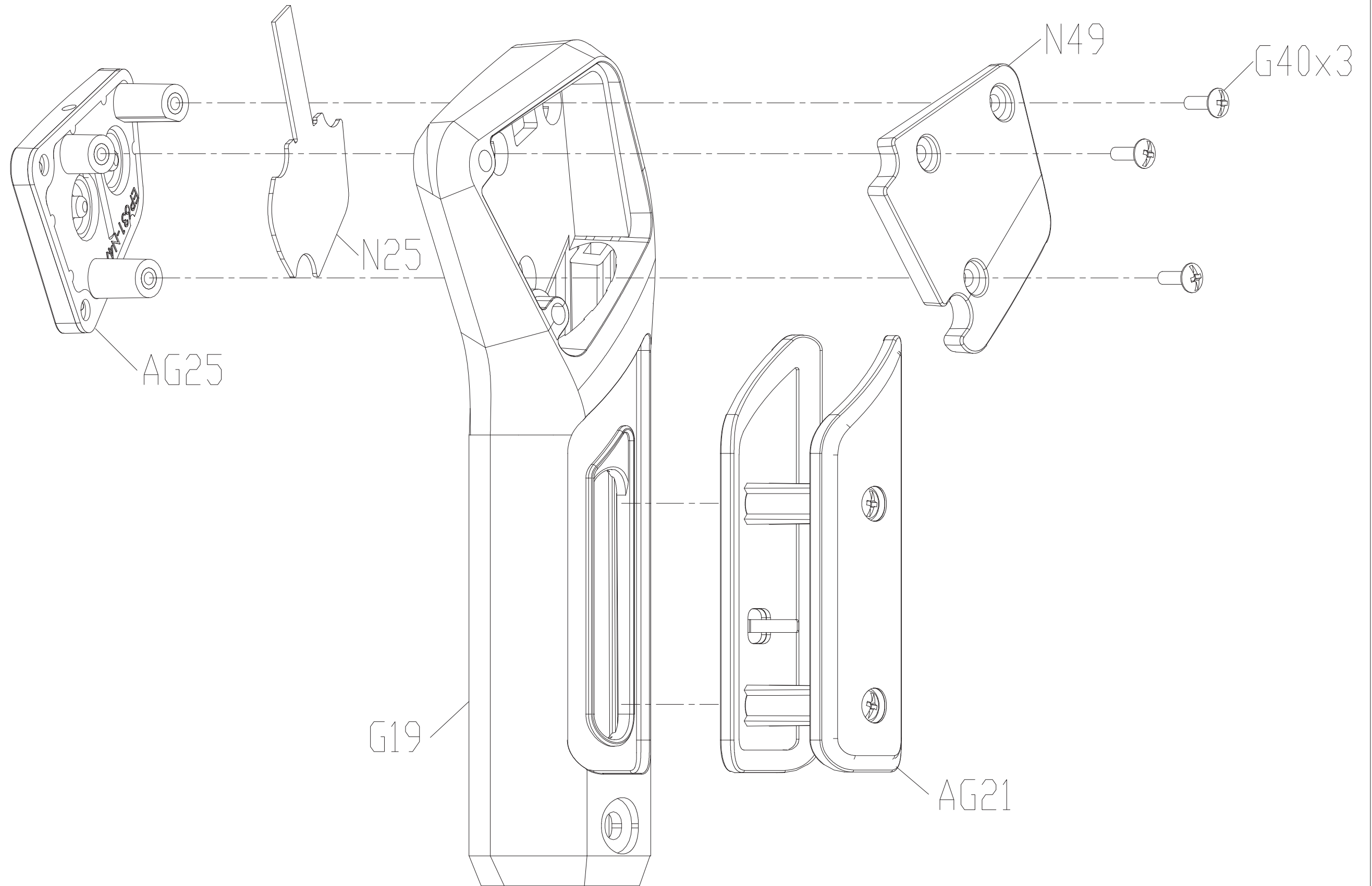


DRAWING NO	RB317-AG2		
PART NAME	Handlebar Set		
PART NO	See attached  B		
APPROVE	AMBER	DATE	20190513

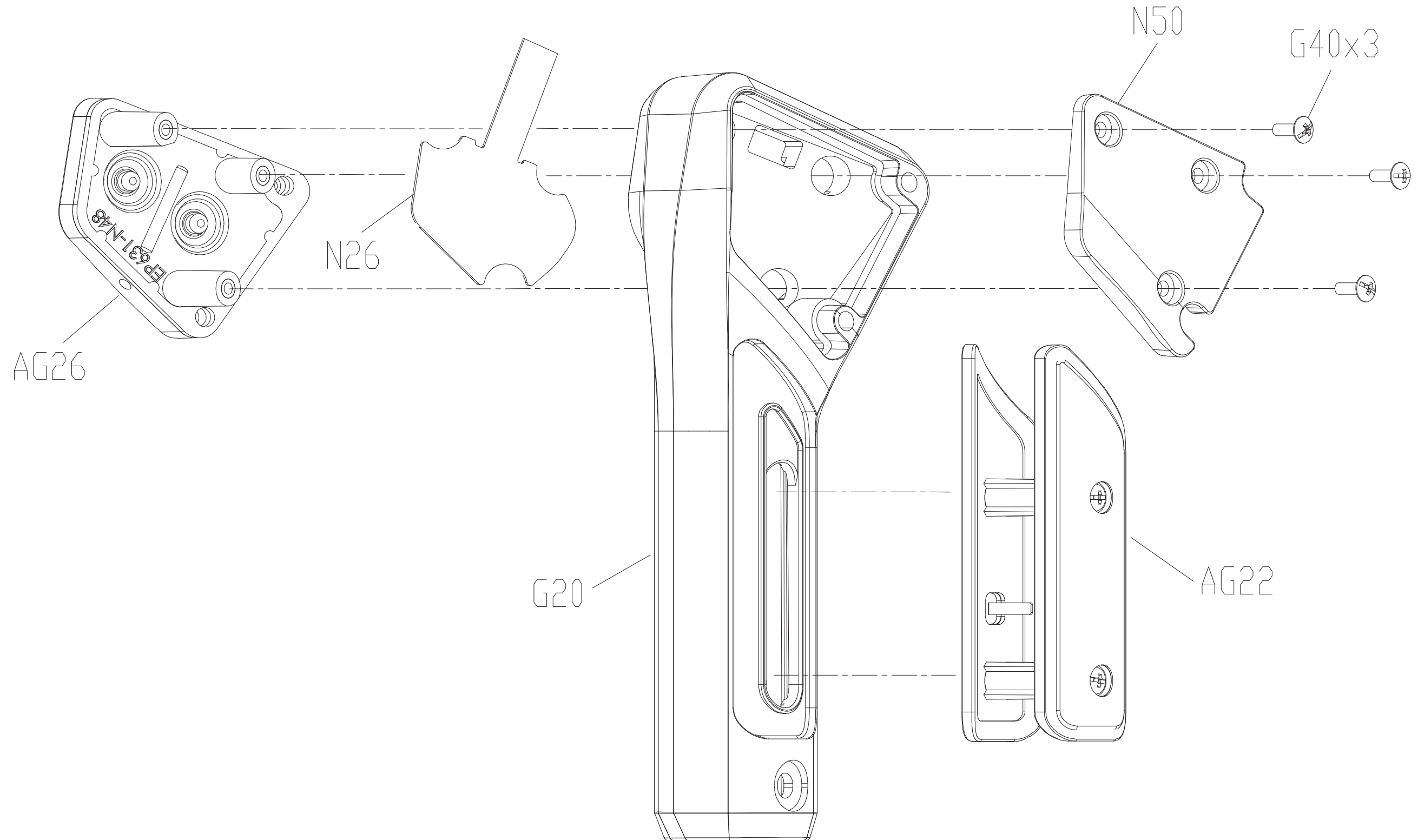


SAP No.	Description
1000437096	Black matte

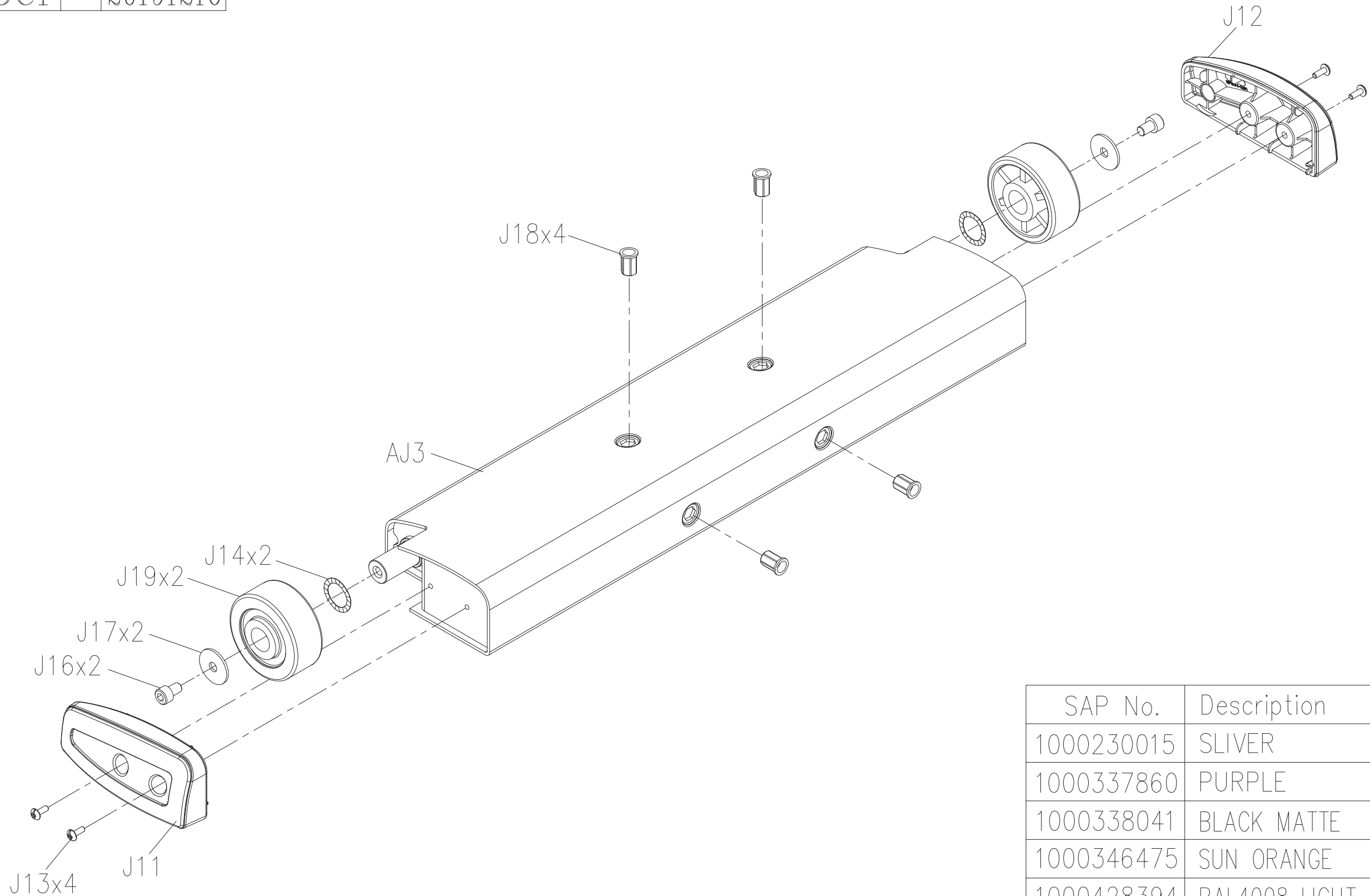
DRAWING NO	CS34-AG7		
PART NAME	Hand Pulse Set;Quickly Key;left		
PART NO	1000437106 ^R _{REV} D		
APPROVE	BROOK	DATE	20200302



DRAWING NO	CS34-AG8		
PART NAME	Hand Pulse Set;Quickly Key:right		
PART NO	1000443649	REV	C
APPROVE	BROOK	DATE	20200302

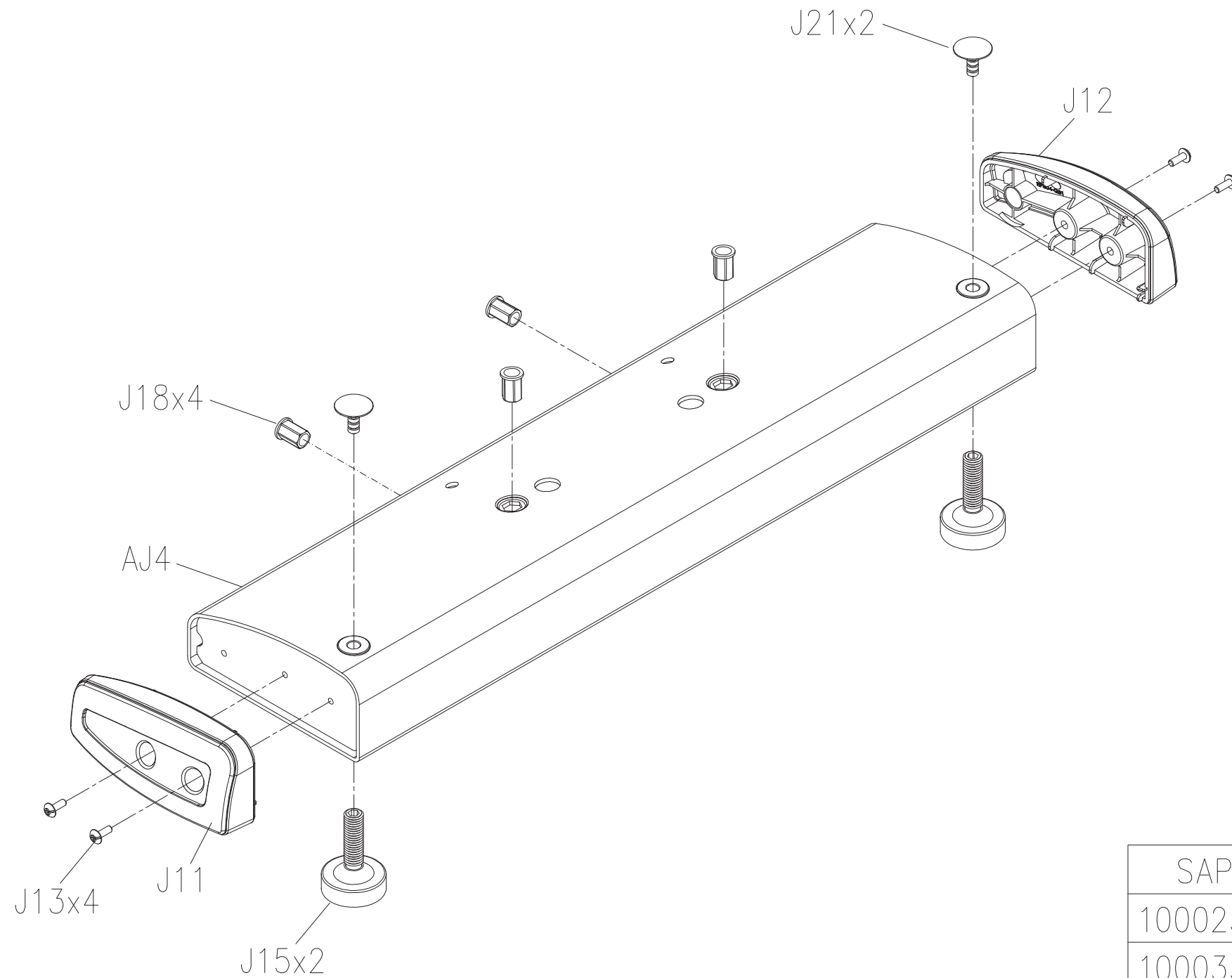


DRAWING NO	CB92-AJ5		
PART NAME	Stabilizer SET;F		
PART NO	See attached chart		
APPROVE	Amber	DATE	20191216



SAP No.	Description
1000230015	SLIVER
1000337860	PURPLE
1000338041	BLACK MATTE
1000346475	SUN ORANGE
1000428394	RAL4008 LIGHT PURPLE
1000447420	Graphite Grey 202020
1000447433	Double Graphite Grey 202020

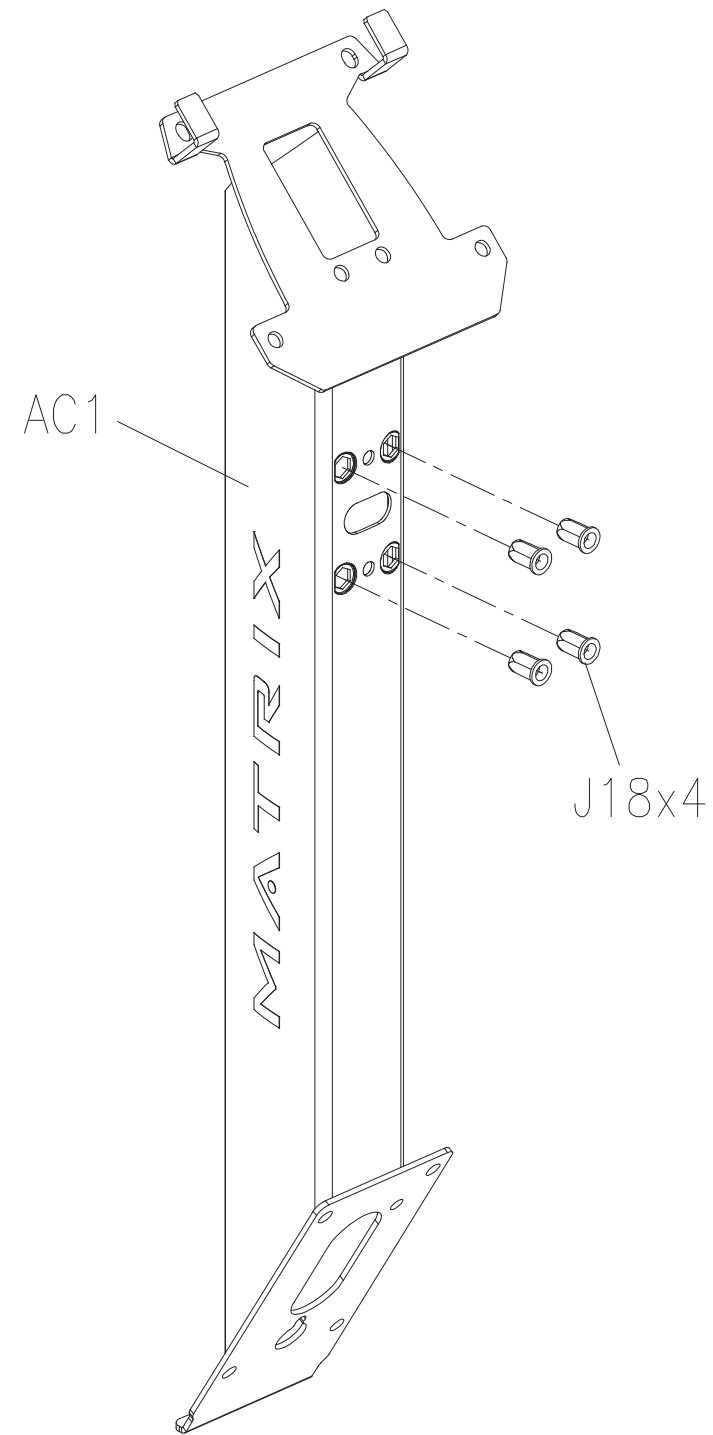
DRAWING NO	CB92-AJ6		
PART NAME	Stabilizer SET;R		
PART NO	See attached chart REH		
APPROVE	Amber	DATE	20191216



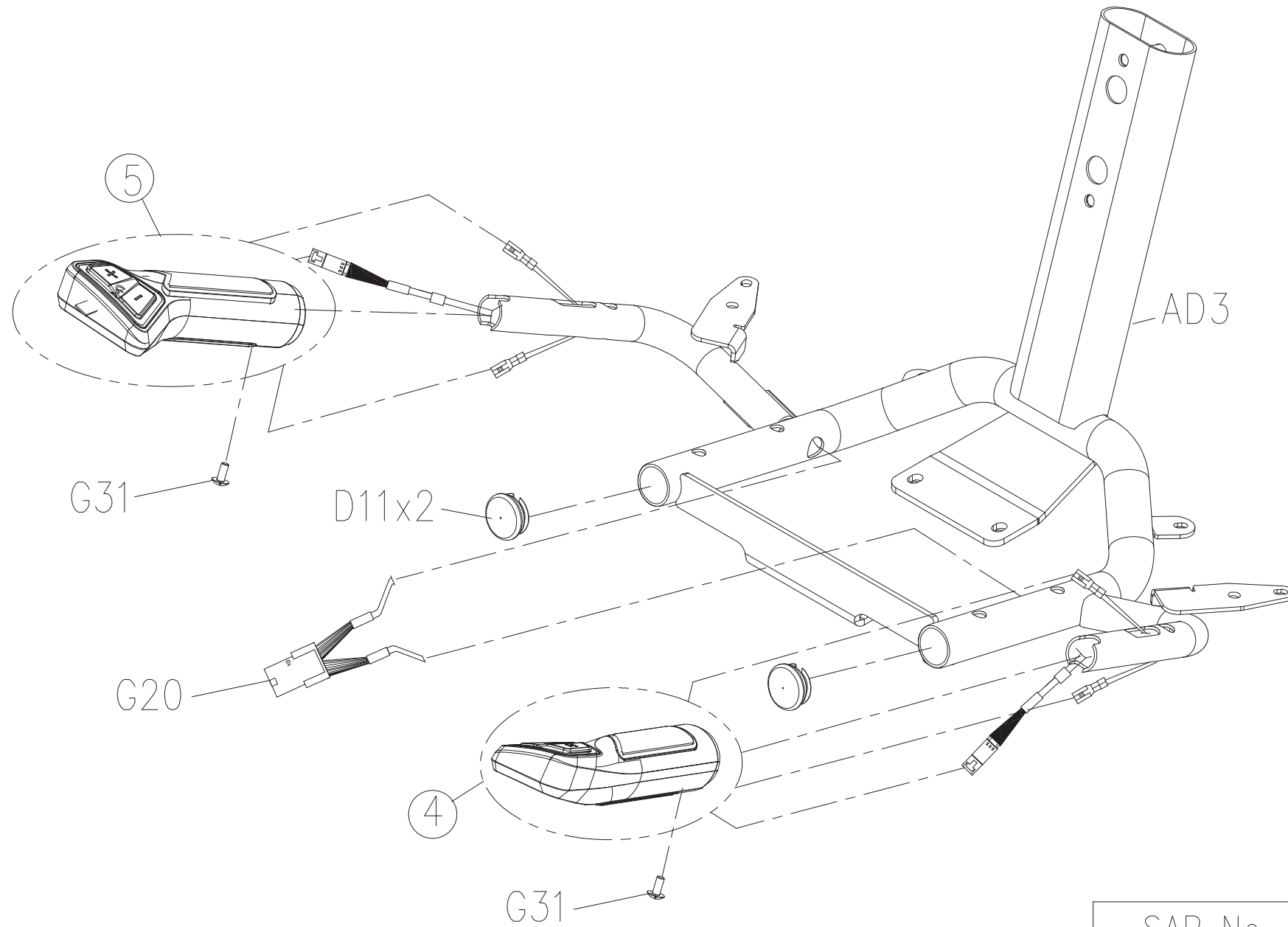
SAP No.	Description
1000230023	SLIVER
1000337863	PURPLE
1000338046	BLACK MATTE
1000346477	SUN ORANGE
1000428396	RAL4008 LIGHT PURPLE
1000447422	Graphite Grey 202020
1000447435	Double Graphite Grey 202020

DRAWING NO	RB317-AC4		
PART NAME	CONSOLE MAST SET		
PART NO	See attached chart  C		
APPROVE	Amber	DATE	20191216


SAP No.	Description
1000434869	SILVER
1000435115	BLACK MATTE
1000442551	DOUBLE BLACK MATTE
1000447481	Graphite Grey 202020
1000447494	DOUBLE Graphite Grey 202020



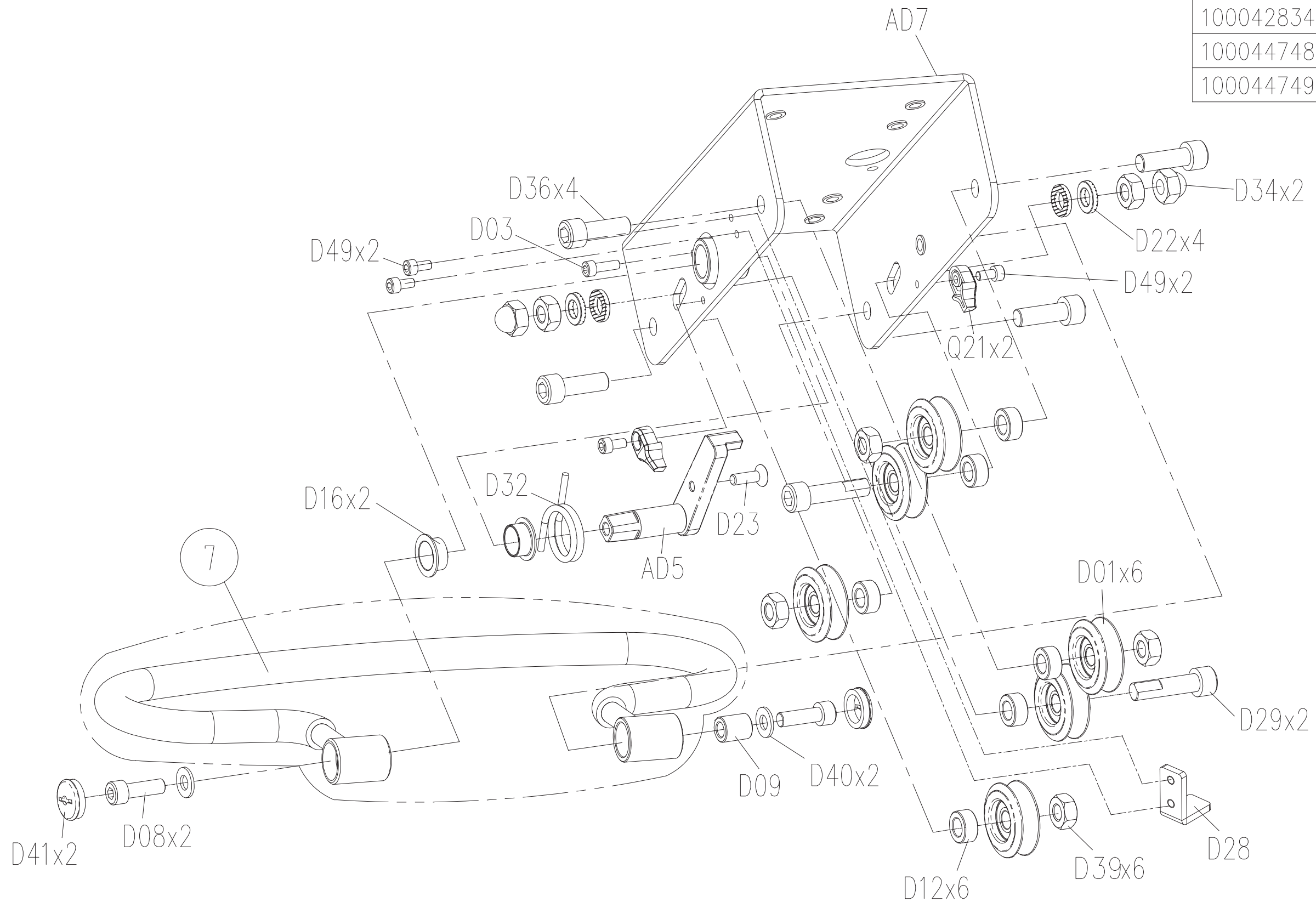
DRAWING NO	RB317-AD1		
PART NAME	Seat Set		
PART NO	See attached chart REV D		
APPROVE	AMBER	DATE	20191216



SAP No.	Description
1000435118	BLACK MATTE
1000434875	SLIVER
1000442554	DOUBLE BLACK MATTE
1000447484	Graphite Grey 202020
1000447497	DOUBLE Graphite Grey 202020

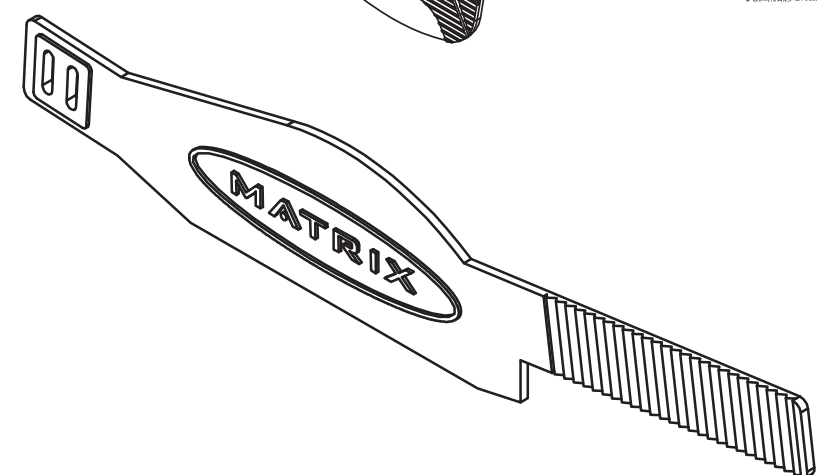
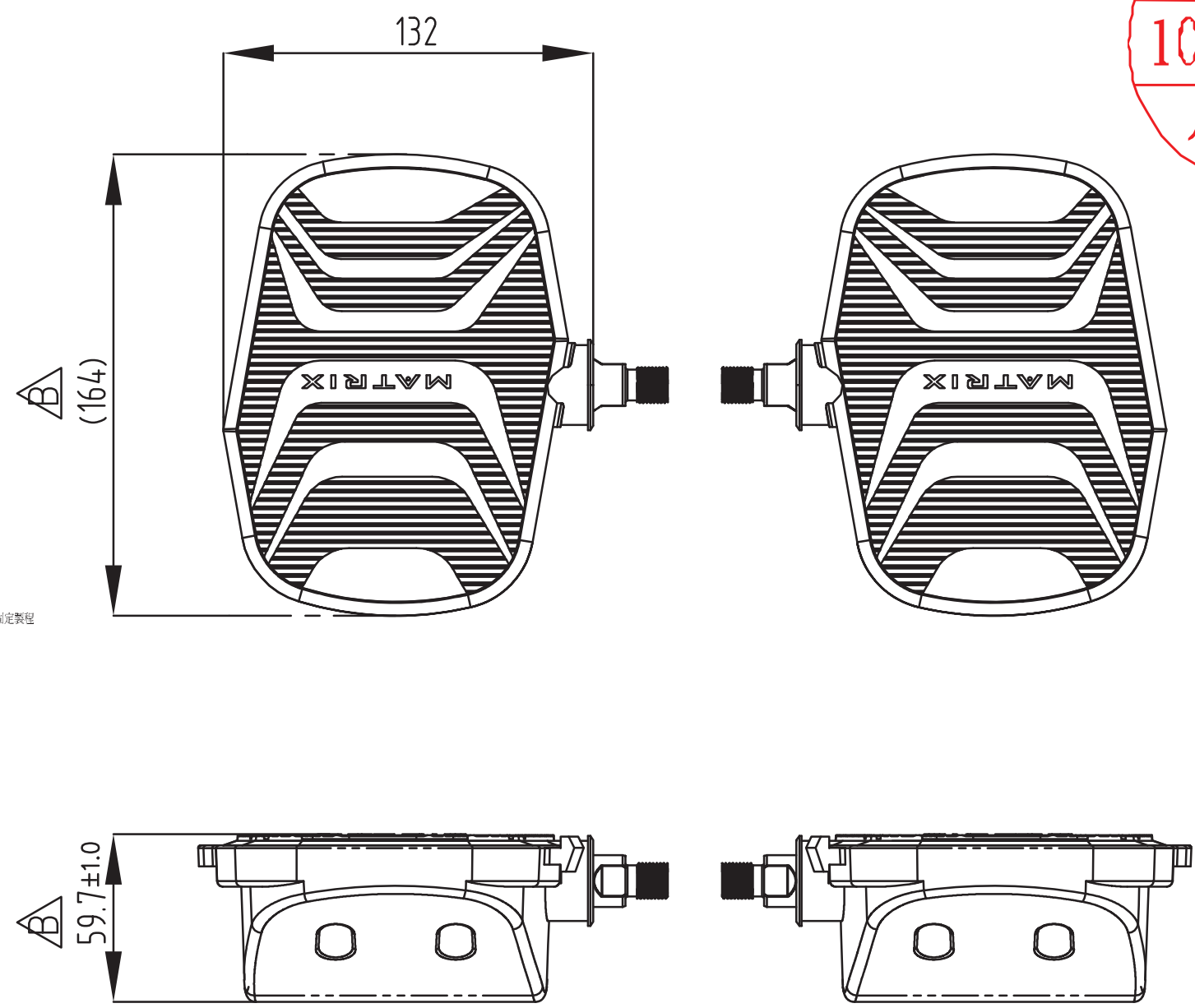
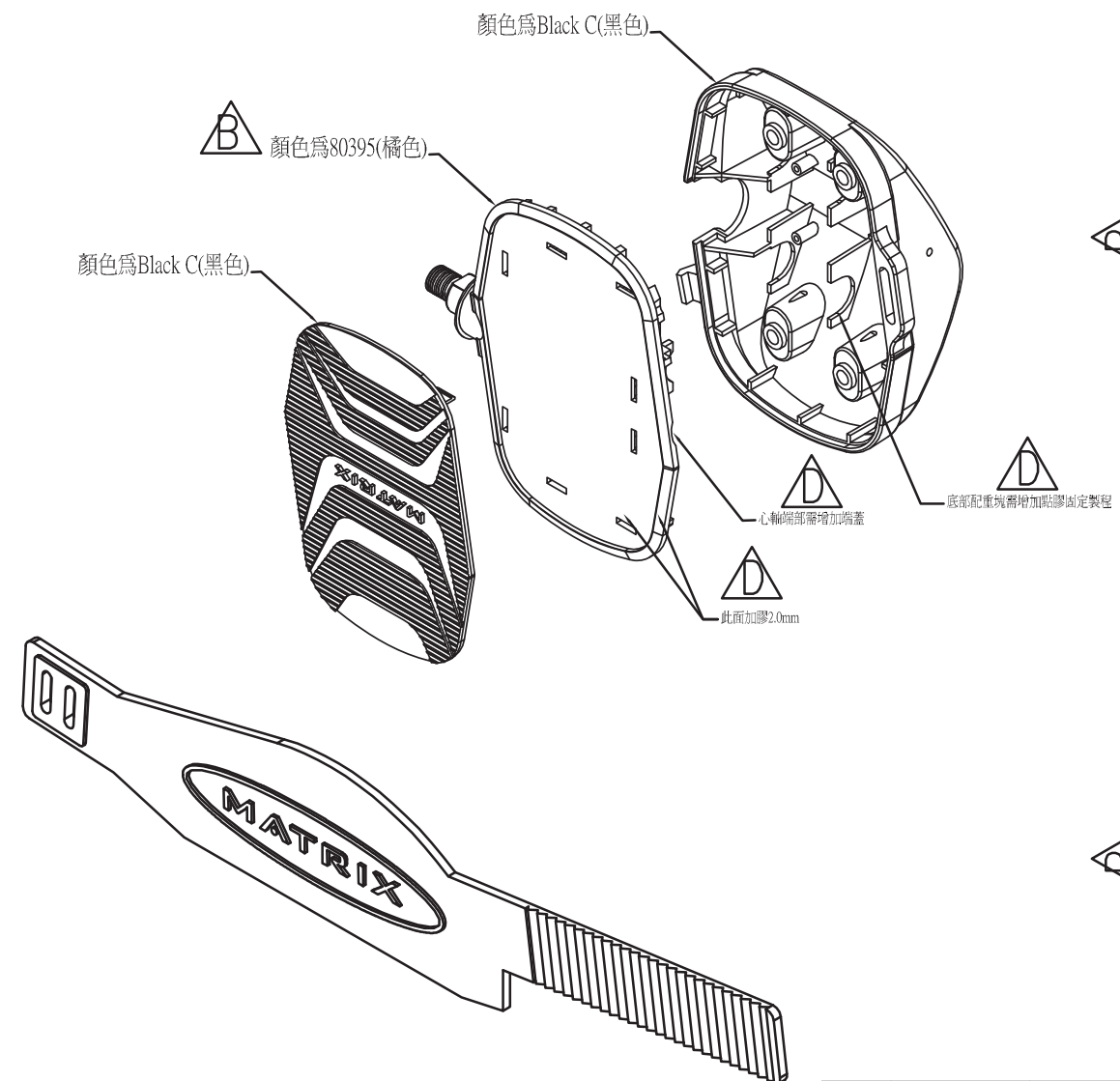
DRAWING NO	RB307-AD2		
PART NAME	Seat Slide Set		
PART NO	See attached  J		
APPROVE	AMBER	DATE	20200221

SAP No.	Description
1000309218	SLIVER
1000338740	PURPLE
1000338742	BLACK MATTE
1000346663	SUN ORANGE
1000428344	RAL4008 LIGHT PURPLE
1000447487	GRAPHITE GREY
1000447499	DOUBLE GRAPHITE GREY



UNLESS OTHERWISE SPECIFIED
TOLERANCES ARE?

LENGTH		ANGLE	
X.	±1.5	X.	±1°
X.X	±0.5	X.X	±0.5°
X.XX	±0.20	X.XX	±0.10°
X.XXX	±0.100		



1. 固定螺栓 BC 9/16"-20UNF $\triangle C$
2. 廠商：軍典，型號JD-61A；扣具型號 56A
3. R/L 一組
4. 請依現度樣品檢驗
5. 腳帶為(廠商型號JD-1A-B)/CB32B-T09A
6. 顏色：如圖所示

LET 項目	ECO 編號	DESCRIPTION 修改內容	APPROVER 審核	DATE 日期	DESIGN 設計	DATE 日期	UNIT 單位	MM	MODEL NO 機種	R-3x/5x/7x-05-F	狀態 STATE	PD
$\triangle D$	13090152	1. 因應測試破裂問題增加肉厚; 2. 底部配重塊需增加點膠固定製程; 3. 心軸端部需增加端蓋	Jerry	092313	Kyle	061813	SHEET SIZE 圖紙大小	A4H	PART NAME(CH) 零件名稱	腳踏板;加腳帶		
$\triangle C$	13060114	因應客戶需求, 指定扣具形式_56A	Adam	062113	Kyle	061813	$\oplus \square$		PART NAME(EN) 零件名稱	Pedal;w/ Belt		
$\triangle B$	13040147	因應客戶需求, 變更踏墊組中一零件顏色 Black C->80395 實物回?: 1_164->(164); 2_59.7->59.7+-1.0	Adam	040813	Kyle	040813			SAP PART NO SAP料號	1000230353		
$\triangle A$		RELEASED FOR TOOLING	Adam	110912	Kyle	110912	JOHNSON		喬山健康科技(台灣)有限公司 JOHNSON HEALTH TEC. (TAIWAN) CO.,LTD		JHT	
									喬山健康科技(上海)有限公司 JOHNSON HEALTH TEC (SHANGHAI) CO LTD			