



**INCLINE TRAINER OWNER'S MANUAL  
MANUEL DU PROPRIÉTAIRE INCLINE TRAINER  
MANUAL DE INCLINACIÓN ENTRENADOR DEL PROPIETARIO**



Read the ELLIPTICAL GUIDE before using this OWNER'S MANUAL.

Lire le GUIDE D'UTILISATION DE L'EXERCISEUR ELLIPTIQUE avant de se servir du présent MANUEL DU PROPRIÉTAIRE.

Lea la GUÍA DEL USUARIO DE LA MÁQUINA ELÍPTICA antes de usar este MANUAL DEL PROPIETARIO.

3	ENGLISH
32	FRANÇAIS
62	ESPAÑOL

# IMPORTANT PRECAUTIONS



## SAVE THESE INSTRUCTIONS

When using an electrical product, basic precautions should always be followed, including the following: Read all instructions before using this incline trainer. It is the responsibility of the owner to ensure that all users of this incline trainer are adequately informed of all warnings and precautions. If you have any questions after reading this manual, contact Customer Tech Support at the number listed on the back panel.

This incline trainer is intended for in-home use only. Do not use this incline trainer in any commercial, rental, school or institutional setting. Failure to comply will void the warranty.



## **DANGER**

### **TO REDUCE THE RISK OF ELECTRICAL SHOCK:**

Always unplug the elliptical from the electrical outlet immediately after using, before cleaning, performing maintenance and putting on or taking off parts.

## **WARNING**

### **TO REDUCE THE RISK OF BURNS, FIRE, ELECTRICAL SHOCK OR INJURY TO PERSONS:**

- If you experience any kind of pain, including but not limited to chest pains, nausea, dizziness, or shortness of breath, stop exercising immediately and consult your physician before continuing.
- When exercising, always maintain a comfortable pace. Do not sprint above 80 RPMs on this machine.
- To maintain balance, it is recommended to keep a grip on the handlebars while exercising, mounting or dismounting the machine.
- Do not turn pedal arms by hand.
- Make sure handlebars are secure before each use.
- Keep the topside of the foot support clean and dry.
- Care should be taken when mounting or dismounting the equipment. Before mounting or dismounting, move the pedal on the mounting or dismounting side to its lowest position and bring the machine to a complete stop.
- Do not wear clothes that might catch on any part of the incline trainer.
- Always wear athletic shoes while using this equipment.
- Do not jump on the incline trainer.
- At no time should more than one person be on the incline trainer while in operation.
- This incline trainer should not be used by persons weighing more than the specified user capacity in the OWNER'S MANUAL WARRANTY SECTION. Failure to comply will void the warranty.
- This incline trainer is intended for in-home use only. Do not use this incline trainer in any commercial, rental, school or institutional setting. Failure to comply will void the warranty.
- Do not use incline trainer in any location that is not temperature controlled, such as but not limited to garages, porches, pool rooms, bathrooms, car ports or outdoors. Failure to comply will void the warranty.
- To prevent electrical shock, never drop or insert any object into any opening.
- Connect this exercise product to a properly grounded outlet only.

## **WARNING**

### **TO REDUCE THE RISK OF BURNS, FIRE, ELECTRICAL SHOCK OR INJURY TO PERSONS:**

- Keep power cord away from heated surfaces. Do not carry this unit by its supply cord or use the cord as a handle.
- Do not use other attachments that are not recommended by the manufacturer. Attachments may cause injury.
- Do not operate where aerosol (spray) products are being used or when oxygen is being administered.
- Use the incline trainer only as described in the owner's manual.
- Disconnect all power before servicing or moving the equipment. To clean, wipe surfaces down with soap and slightly damp cloth only; never use solvents. (See MAINTENANCE)
- The incline trainer should never be left unattended when plugged in. Unplug from outlet when not in use, and before putting on or taking off parts.
- Do not operate under blanket or pillow. Excessive heating can occur and cause fire, electric shock, or injury to persons.
- At NO time should pets or children under the age of 13 be closer to the incline trainer than 10 feet.
- At NO time should children under the age of 13 use the incline trainer.
- Children over the age of 13 or disabled persons should not use the incline trainer without adult supervision.
- Never operate the incline trainer if it has a damaged cord or plug, if it is not working properly, if it has been dropped or damaged, or immersed in water. Return the incline trainer to a service center for examination and repair.
- To disconnect, turn all controls to the off position, then remove plug from outlet.
- Do not remove the console covers unless instructed by Customer Tech Support. Service should only be done by an authorized service technician.

It is essential that your incline trainer is used only indoors, in a climate controlled room. If your incline trainer has been exposed to colder temperatures or high moisture climates, it is strongly recommended that the incline trainer is warmed up to room temperature before first time use. Failure to do so may cause premature electronic failure.

## **WARNING**

This product contains chemicals known to the State of California to cause cancer and birth defects or other reproductive harm.





## GROUNDING INSTRUCTIONS

If your incline trainer has power incline with a 3-prong plug, you must follow these grounding instructions.

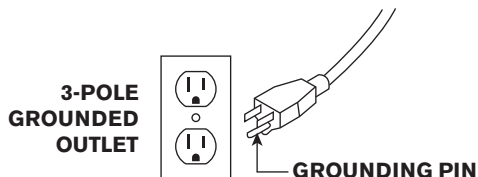
This product must be grounded. If an elliptical should malfunction or break down, grounding provides a path of least resistance for electrical current to reduce the risk of electrical shock. This product is equipped with a cord having an equipment-grounding conductor and a grounding plug. The plug must be plugged into an appropriate outlet that is properly installed and grounded in accordance with local codes and ordinances.

## DANGER

Improper connection of the equipment-grounding conductor can result in a risk of electric shock. Check with a qualified electrician or serviceman if you are in doubt as to whether the product is properly grounded. Do not modify the plug provided with the product. If it will not fit the outlet, have a proper outlet installed by a qualified electrician.

This product is for use on a nominal 110-120 Volt circuit and has a grounding plug that looks like the plug in the illustration. Make sure that the product is connected to an outlet having the same configuration as the plug. No adapter should be used with this product.

This product must be used on a dedicated circuit. To determine if you are on a dedicated circuit, shut off the power to that circuit and observe if any other devices lose power. If so, move devices to a different circuit. Note: There are usually multiple outlets on one circuit. This elliptical should be used with a minimum 20-amp circuit.



## WARNING

Connect this exercise product to a properly grounded outlet only.

Never operate product with a damaged cord or plug even if it is working properly. Never operate any product if it appears damaged, or has been immersed in water. Contact Customer Tech Support for replacement or repair.

# ASSEMBLY



## ⚠ WARNING

There are several areas during the assembly process that special attention must be paid. It is very important to follow the assembly instructions correctly and to make sure all parts are firmly tightened. If the assembly instructions are not followed correctly, the incline trainer could have frame parts that are not tightened and will seem loose and may cause irritating noises. To prevent damage to the elliptical, the assembly instructions must be reviewed and corrective actions should be taken.

Before proceeding, find your incline trainer's serial number located on a white barcode sticker on the front stabilizer tube and enter it in the space provided below.

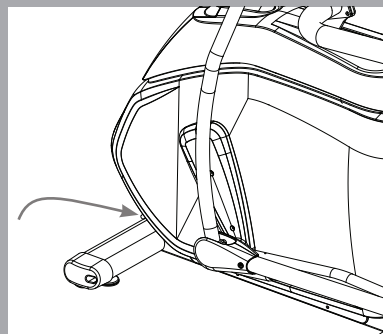
ENTER YOUR SERIAL NUMBER IN THE BOX BELOW:

SERIAL NUMBER:

EP

MODEL NAME: **AFG PRO 7.2AI INCLINE TRAINER**

### SERIAL NUMBER LOCATION



» Refer to the SERIAL NUMBER and MODEL NAME when calling for service.



CONSOLE

UPPER HANDLEBAR

SPEAKERS

PULSE GRIPS

**⚠️ WARNING**  
 CONSULT A PHYSICIAN PRIOR TO USING ANY EXERCISE EQUIPMENT. POSSIBILITY OF SERIOUS INJURY IF EQUIPMENT IS USED IMPROPERLY. READ INSTRUCTIONS MANUAL BEFORE USING. KEEP CHILDREN OFF AND AWAY FROM THIS EQUIPMENT. FOR CONSUMER USE ONLY.

**⚠️ AVERTISSEMENT**  
 CONSULTER UN MEDICIN AVANT D'UTILISER TOUT EQUIPEMENT D'EXERCICE. TOUTE UTILISATION IMPROPRETE PEUT OCCASIONNER DE GRAVES LESIONS. LIRE LE MANUEL D'INSTRUCTIONS AVANT DE SE SERVIR DE L'APPAREIL. TENIR LES ENFANTS A DISTANCE DE L'APPAREIL. A L'USAGE DU CLIENT SEULEMENT.

**⚠️ ADVERTENCIA**  
 CONSULTE A UN MEDICO ANTES DE USAR CUALQUIER EQUIPO DE ACCIONAMIENTO FISIOL. ANTES LA PRIMERA VEZ DE USAR LEER LAS INSTRUCCIONES SI EL EQUIPO SE USA INCORRECTAMENTE. LEER EL MANUAL DE LAS PROPIEDADES ANTES DE USAR EL EQUIPO. NO DEJE QUE LOS NIÑOS SE ACERCEN A ESTE EQUIPO. ESTE EQUIPO ES SOLO PARA EL USO DEL CONSUMIDOR.

LOWER HANDLEBAR

POWER CORD SOCKET

STABILIZER TUBE

LINK ARM

BASE RAIL

<b>CAUTION</b> KEEP HANDS AND FEET AWAY FROM THIS AREA.	<b>ATTENTION</b> GARDER LES MAINS ET LES PIEDS LOIN DE CETTE REGION.	<b>PRECAUCIÓN</b> MANTENGA LAS MANOS Y LOS PIES LEJOS DE ESTA AREA.
--	---	--

TABLET/READING RACK

USB PORT

CONTROL CONTROLS AND DISPLAY WINDOWS

WATER BOTTLE HOLDER

CONSOLE MAST

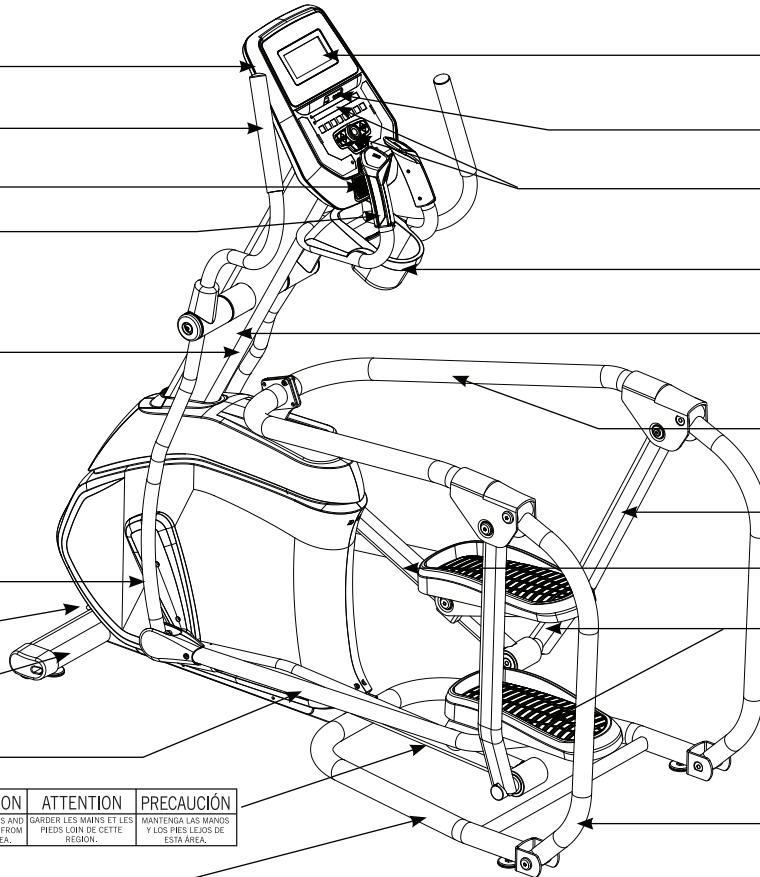
TOP HAND RAIL

SWING ARM

PEDAL ARM

FOOT PADS

REAR UPRIGHT



## TOOLS INCLUDED:

- 5mm L Wrench
- 6mm L Wrench
- 8mm L Wrench
- 13/17mm Flat Wrench

## PARTS INCLUDED:

- 1 Console
- 1 Console Mast
- 1 Water Bottle Holder
- 1 Main Frame
- 1 Audio Adaptor Cable
- 2 Handlebar Caps
- 2 Upper Handlebars
- 2 Lower Handlebars
- 2 Swing Arms
- 2 Link Arms
- 2 Pedal Arms
- 2 Rear Uprights
- 2 Top Hand Rails
- 1 Power Cord
- 2 Joint Covers

## PRE ASSEMBLY

---

### UNPACKING

Unpack the product where you will be using it. Place the incline trainer carton on a level flat surface. It is recommended that you place a protective covering on your floor. Never open box when it is on its side.

NOTE: During each assembly step, ensure that ALL nuts and bolts are in place and partially threaded in before completely tightening any ONE bolt.

NOTE: A light application of grease may aid in the installation of hardware. Any grease, such as lithium bike grease is recommended.



### NEED HELP?

If you have questions or if there are any missing parts, contact Customer Tech Support. Contact information is located on the back panel of this manual.



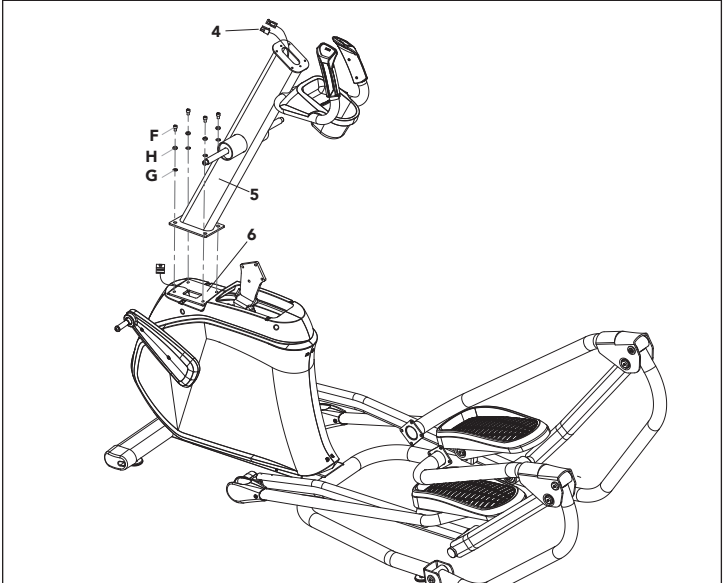


# ASSEMBLY STEP 1

HARDWARE FOR STEP 1 • PRE-INSTALLED			
PART	TYPE	DESCRIPTION	QTY
F	BOLT	M10X1.5PX20L	4
G	FLAT WASHER	10.5X18X2.0T	4
H	SPRING WASHER	10.2X18.4X2.5L	4

**NOTE:**  
All hardware for this step is pre-installed. To avoid scratches during assembly do not remove plastic from tubes until STEP 4. We also recommend covering the base rail with extra plastic sheet from the packaging.

- A Carefully pull the **CONSOLE CABLE (4)** through the **CONSOLE MAST (5)** using the twist tie located inside the **CONSOLE MAST (5)**.
- B Attach the **CONSOLE MAST (5)** to the **BASE FRAME (6)** using the pre-assembled **4 BOLTS (F)**, **4 SPRING WASHERS (H)** and **4 FLAT WASHERS (G)**



**NOTE:** Be careful not to pinch any wires while attaching the console mast or console.

## ASSEMBLY STEP 2



### HARDWARE FOR STEP 2 • PRE-INSTALLED

PART	TYPE	DESCRIPTION	QTY
I	BOLT	M8X1.25PX25L-15L	4
J	NUT	M8X1.25P	4

#### NOTE:

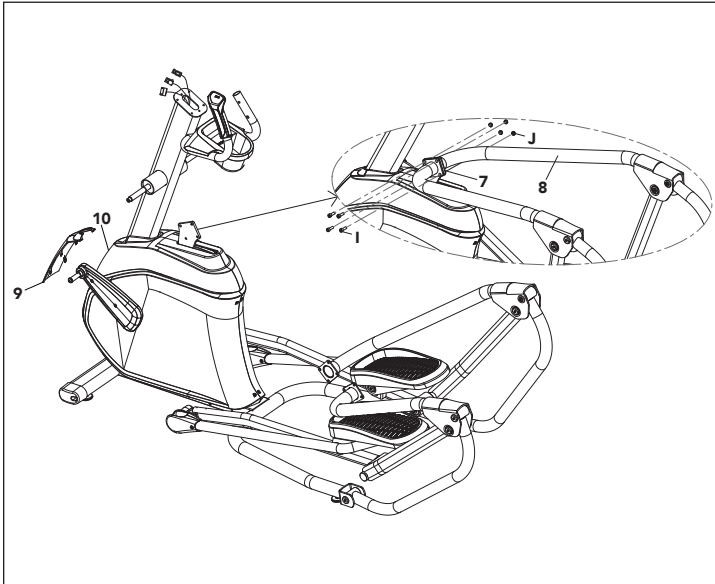
All hardware for this step is pre-installed.

- A Attach **FRONT TOP CAP PIECE (10)** to side covers.

#### NOTE:

This must be assembled before the top handrail.

- B Attach each **TOP HANDRAIL (8)** to the **INCLINE ARM (7)** using the pre-assembled **4 BOLTS (I)** and **4 NUTS (J)**. To make assembly easier, lightly tighten all four bolts to begin, then tighten firmly after all bolts have been started.
- C Snap **REAR TOP CAP PIECE (9)** into **FRONT TOP CAP PIECE (10)**.

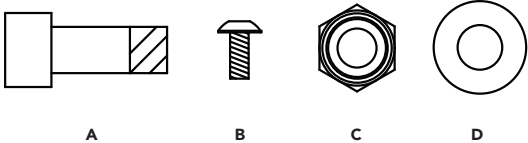
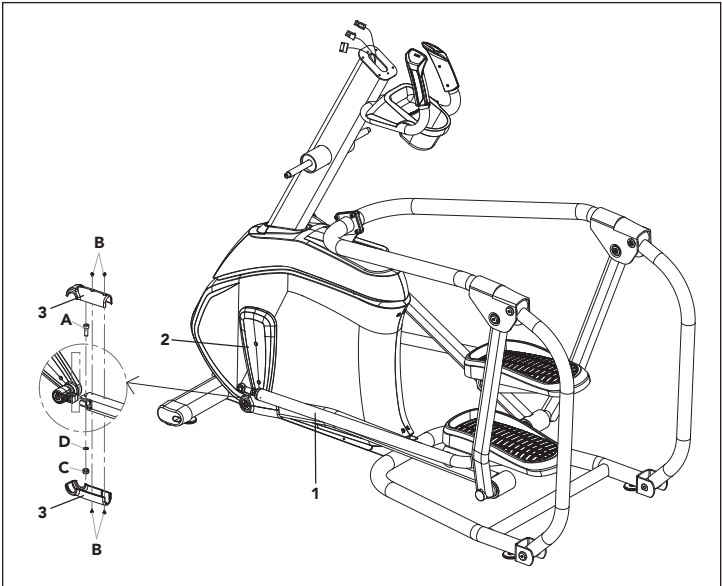




# ASSEMBLY STEP 3

HARDWARE FOR STEP 3			
PART	TYPE	DESCRIPTION	QTY
A	BOLT	M10X1.5PX45L-16L	1
B	BOLT	M4X0.7PX8L	4
C	NYLON NUT	M10X1.5P	1
D	FLAT WASHER	10.2X20.0X1.0L	1

- A Open **HARDWARE FOR STEP 3**.
- B Attach the **LEFT LINK ARM (1)** to the **LEFT CRANK ARM (2)** using **1 BOLT (A)**, **1 WASHER (D)**, and **1 NYLON NUT (C)**
- C Place the **JOINT COVERS (3)** over **LEFT LINK ARM JOINT** using **4 BOLTS (B)**.

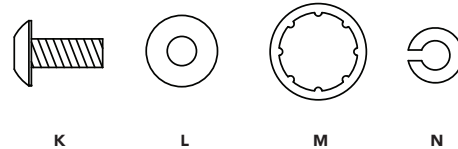
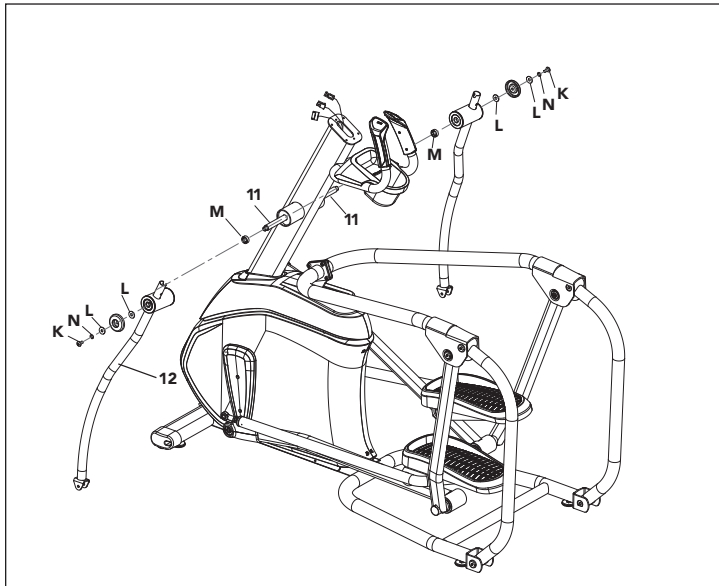


# ASSEMBLY STEP 4



HARDWARE FOR STEP 4			
PART	TYPE	DESCRIPTION	QTY
K	BOLT	M8X1.25PX20L	2
L	FLAT WASHER	8.6X26.0X2.0	4
M	PLASTIC WASHER	20X27X9.5T	2
N	SPRING WASHER	8.2X15.4X2.0T	2

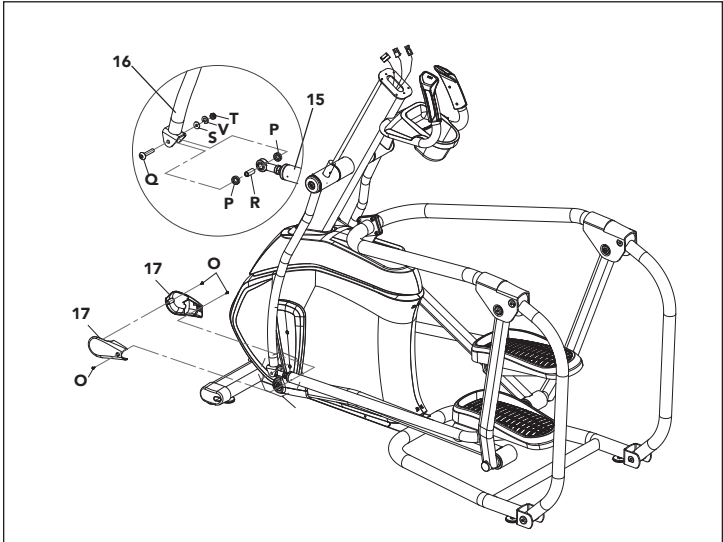
- A Open **HARDWARE FOR STEP 4**.
- B Slide **1 PLASTIC WASHER (M)** onto **LEFT HANDLEBAR SHAFT (11)**.
- C Slide the **LEFT LOWER HANDLEBAR (12)** onto the **HANDLEBAR SHAFT (11)**. Be sure the **LEFT LOWER HANDLEBAR (12)** is positioned the same as shown in the diagram.
- D Secure the **HANDLEBAR ASSEMBLY** using **1 FLAT WASHER (L)**, **1 HANDLEBAR CAP**, **1 FLAT WASHER (L)**, **1 SPRING WASHER (N)**, and **1 BOLT (K)**.
- E Repeat steps **B-E** on the opposite side.



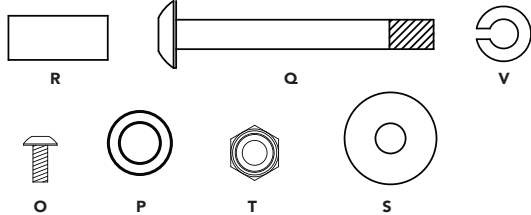


# ASSEMBLY STEP 5

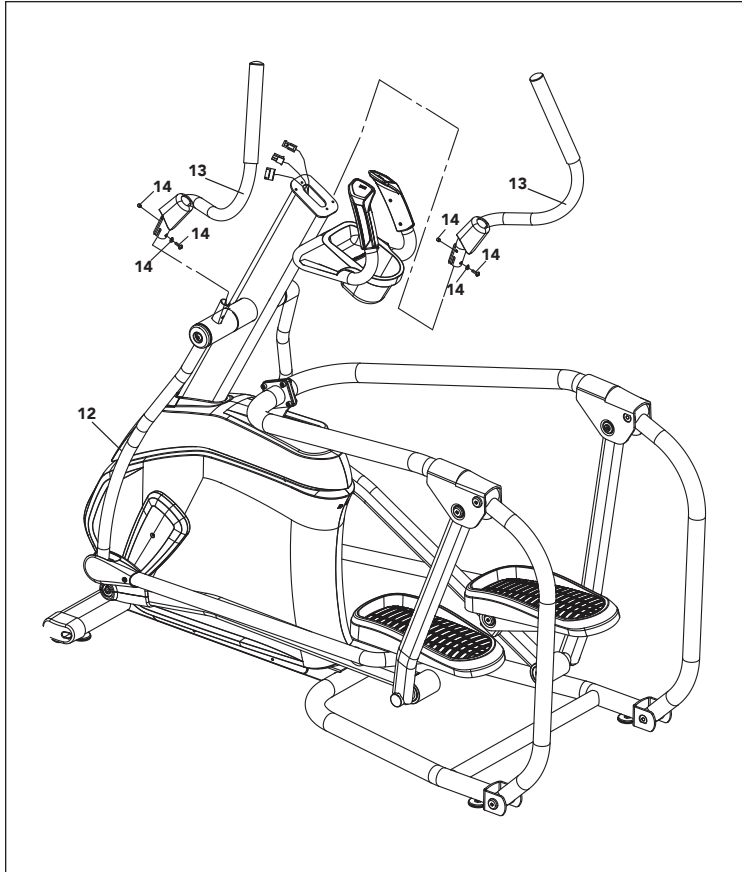
HARDWARE FOR STEP 5			
PART	TYPE	DESCRIPTION	QTY
O	BOLT	M4X0.7PX8L	6
P	SPACER	12X20.0X6T	4
Q	BOLT	M8X1.25PX45L	2
R	SHAFT	12X27	2
S	FLAT WASHER	8.2X25.0X1.5T	2
T	NUT	M8X1.25P	2
V	SPRING WASHER	8.2X15.4X2.0T	2



- A Open **HARDWARE FOR STEP 5**.
- B Slide **SHAFT (R)** into the end of the **LINK ARM (15)**.
- C Place **SPACER (P)** on both sides of the **LINK ARM (15)**. Align end of **LINK ARM (15)** with bracket on bottom of **LOWER HANDLEBAR (16)**. While holding **SPACERS** slide **LINK ARM (15)** into bottom end of **LOWER HANDLEBAR (16)**.
- D Secure the joint using **1 BOLT (Q)**, **1 FLAT WASHER (S)**, **1 SPRING WASHER (V)** and **1 NUT (T)**.
- E Repeat steps **B-D** opposite side.
- F Attach **JOINT COVERS (17)** to the joint between the **LINK ARM (15)** and the **LOWER HANDLEBAR (16)** using **3 BOLTS (O)**



## ASSEMBLY STEP 6



### NOTE:

All hardware for this step is pre-installed.

- A Slide the **LEFT UPPER HANDLEBAR (13)** onto the **LEFT LOWER HANDLEBAR (12)**. Using pre-attached **1 BOLT, 1 WASHER and 1 SET SCREW (14)** connect the **UPPER AND LOWER HANDLEBARS** as shown in the diagram. Do not tighten set screw until the bolt is installed
- B Repeat step **A** on the opposite side.



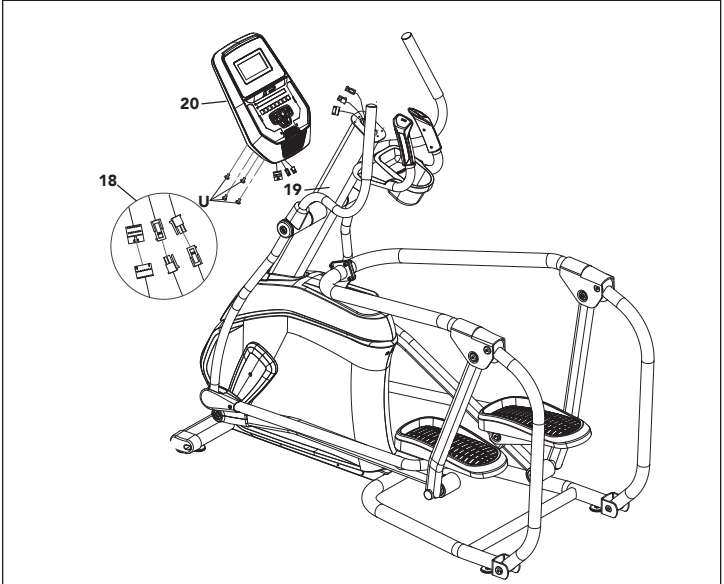


# ASSEMBLY STEP 7

HARDWARE FOR STEP 7 • PRE-INSTALLED			
PART	TYPE	DESCRIPTION	QTY
U	BOLTS	M5X12L	4

- A Connect the **CONSOLE CABLES (18)**.
- B Carefully tuck the **CONSOLE CABLES (18)** into the **CONSOLE MAST (19)** before attaching the **CONSOLE (20)**. Attach **CONSOLE (20)** to **CONSOLE MAST (19)** using **4 PRE-ATTACHED BOLTS (U)**.

**CONGRATULATIONS.  
ASSEMBLY COMPLETE!**



# ELLIPTICAL OPERATION

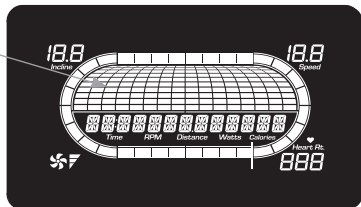


This section explains how to use your elliptical's console and programming. The **BASIC OPERATION** section in the **ELLIPTICAL GUIDE** has instructions for the following:

- **LOCATION OF THE ELLIPTICAL**
- **POWER/GROUNDING INSTRUCTIONS**
- **FOOT POSITIONING**
- **MOVING THE ELLIPTICAL**
- **LEVELING THE ELLIPTICAL**
- **POWER/MANUAL INCLINE OPERATION**
- **USING THE HEART RATE FUNCTION**



A



P

B

C

D

F

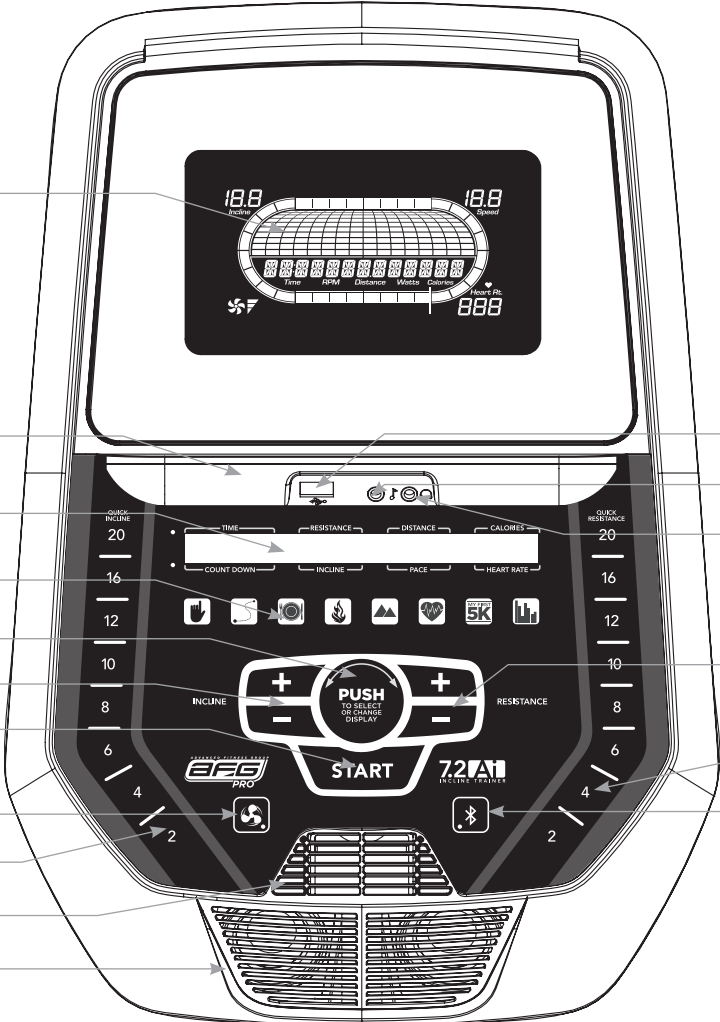
E

J

H

K

L



O

M

N

G

I

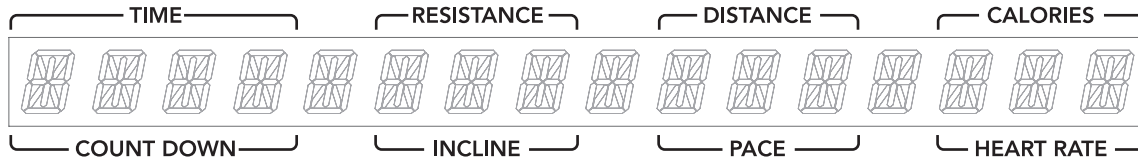
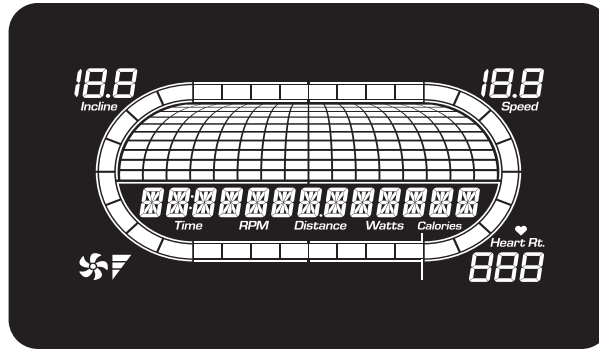
Q

## CONSOLE OPERATION

Note: There is a thin protective sheet of clear plastic on the overlay of the console that should be removed before use.

- A) **LCD DISPLAY WINDOWS:** Incline, Speed, RPM, Watts, Calories.
- B) **LED DISPLAY:** Time, Resistance, Distance, Calories, Count Down, Incline, Pace, Heart Rate.
- C) **WORKOUT LED INDICATORS:** indicate what workout is set for the current program.
- D) **SELECT TARGET/WORKOUT KNOB:** rotate/press to select your desired workout/target
- E) **START:** press to begin exercising, start your workout, or resume exercising after pause.
- F) **INCLINE +/- KEYS:** used to adjust incline in small increments.
- G) **RESISTANCE +/- KEYS:** used to adjust resistance in small increments.
- H) **INCLINE QUICK KEYS:** used to reach desired incline more quickly.
- I) **RESISTANCE QUICK KEYS:** used to reach desired resistance more quickly.
- J) **FAN KEY:** press to turn fan on and off.
- K) **FAN:** personal workout fan.
- L) **SPEAKERS:** music plays through speakers when your CD / MP3 player is connected to the console.
- M) **AUDIO IN JACK:** plug your CD / MP3 player into the console using the included audio adaptor cable.
- N) **AUDIO OUT / HEADPHONE JACK:** plug your headphones into this jack to listen to your music through the headphones. Note: when headphones are plugged into the headphone jack the sound will no longer come out through the speakers.
- O) **USB INPUT: 1A/5V USB** output power.
- P) **TABLET/READING RACK:** holds tablet or reading material.
- Q) **BLUETOOTH INDICATOR LIGHT:** display when machine is paired with a Bluetooth compatible device.





## DISPLAY WINDOWS

- **TIME:** Shown as minutes: seconds. View the time remaining or the time elapsed in your workout.
- **DISTANCE:** Shown as miles. Indicates distance traveled.
- **SPEED:** Shown as MPH. Indicates how fast the foot pads are moving.
- **INCLINE:** Indicates the incline level of the power ramp.
- **CALORIES:** Total calories burned.
- **HEART RATE:** Shown as BPM (beats per minute). Used to monitor your heart rate (displayed when contact is made with both pulse grips).
- **RESISTANCE:** Shows the current level of resistance.
- **PACE:** Indicates how many minutes it takes to complete a mile while at your current speed.
- **RPM:** Rotations Per Minute.
- **WATTS:** Displays current user power output

## GETTING STARTED

- 1) Check to make sure no objects are placed on the belt that will hinder the movement of the incline trainer.
- 2) Plug in the power cord and turn the incline trainer ON. (The ON/OFF switch is next to the power cord.)
- 3) You have two options to start your workout:

### **A) QUICK START UP**

Simply press the START key to begin working out.  
Time, distance, and calories will all count up from zero. OR...

### **B) SELECT A WORKOUT OR TARGET**

- 1) Select your **USER** by turning the workout knob and then pressing when your desired **USER** is displayed.
- 2) Select your **WEIGHT** by turning the workout knob and then pressing when your desired **WEIGHT** is displayed.
- 3) Select your **PROGRAM** by turning the workout knob and then pressing when your desired **PROGRAM** is displayed.
- 4) Adjust the **SETTING** by turning the workout knob and then pressing when your desired **SETTING** is displayed.
- 5) Press **START** to begin.





## WORKOUT PROFILES

- 1) **MANUAL:** Control everything about your workout – from start to finish. This program is a basic workout with no pre-defined settings, allowing you to manually adjust the machine at any time. It begins with a resistance at 1.
  
- 2) **HILL CLIMB:** Simulates a hill ascent and descent. This program helps tone muscle and improve cardiovascular ability. Incline and resistance change and segments repeat every 60 seconds.

Incline and resistance change every 60 seconds

Seconds		Warm up				Program segments - Repeat					
Level	Segment	60	60	60	60	60	60	60	60	60	60
		<b>1</b>	<b>2</b>	<b>3</b>	<b>4</b>	<b>5</b>	<b>6</b>	<b>7</b>	<b>8</b>	<b>9</b>	<b>10</b>
1	Inc	0	2	2	4	4	4	6	6	6	6
	Res	1	2	2	3	2	3	4	5	4	3
2	Inc	0	2	2	4	6	6	6	6	8	8
	Res	1	2	2	3	4	5	6	7	6	5
3	Inc	0	2	2	6	6	6	8	8	10	10
	Res	1	2	2	4	6	7	8	9	8	7
4	Inc	0	2	2	6	8	8	10	10	10	10
	Res	1	2	2	5	8	9	10	11	10	9
5	Inc	2	4	6	8	10	10	10	10	12	12
	Res	2	3	5	6	10	11	12	13	12	11
6	Inc	2	4	6	10	10	10	12	12	14	14
	Res	2	3	5	7	12	13	14	15	14	13
7	Inc	2	4	6	10	12	12	14	14	16	16
	Res	2	3	5	8	14	15	16	17	16	15
8	Inc	2	4	6	12	14	14	16	16	16	16
	Res	2	3	5	9	15	16	17	18	17	16
9	Inc	4	6	6	14	16	16	16	16	18	18
	Res	3	4	5	10	16	17	18	19	18	17
10	Inc	4	6	10	16	16	16	18	18	18	18
	Res	3	4	8	11	17	18	19	20	19	18





4) **FAT BURN:** Relatively slow and steady is the name of the game to maximize your weight-loss goals. Promotes weight loss by increasing and decreasing the resistance, while keeping you in your fat burning zone. Resistance changes, segments repeat every 60 seconds.

**Resistance changes every 60 seconds**

	Warm Up				Program Segments - Repeat												
Seconds	60	60	60	60	60	60	60	60	60	60	60	60	60	60	60	60	60
Segment	1	2	3	4	5	6	7	8	9	10	11	12	13	14	15	16	16
Level 1	1	2	2	3	4	3	4	5	5	3	4	6	6	5	4	3	
Level 2	2	3	3	3	5	4	5	6	6	4	5	7	7	6	5	4	
Level 3	2	4	4	5	7	6	7	8	8	6	7	9	9	8	7	6	
Level 4	3	4	5	6	8	7	8	9	9	7	8	10	10	9	8	7	
Level 5	4	6	7	7	10	9	10	11	11	9	10	12	12	11	10	9	
Level 6	4	6	7	8	11	10	11	12	12	10	11	13	13	12	11	10	
Level 7	5	7	9	9	13	12	13	14	14	12	13	15	15	14	13	12	
Level 8	5	8	9	10	14	13	14	15	15	13	14	16	16	15	14	13	
Level 9	6	9	11	12	16	15	16	17	17	15	16	18	18	17	16	15	
Level 10	7	10	12	13	18	17	18	19	19	17	18	20	20	19	18	17	

5) **CUSTOM:** Allows you to create and reuse your perfect workout with a combination of a specific resistance, incline and time or distance. The ultimate in personal programming. This is a time or distance based goal program.

## TARGET PROFILES



- 1) **DISTANCE:** Push yourself and go further during your workout with 13 distance workouts. Choose from 1 mile, 2 miles, 5k, 5 miles, 10k, 8 miles, 15k, 10 miles, 20k, half marathon, 15 miles, 20 miles, and marathon goals. You set your level.

Resistance changes and all segments are .016km and repeat. (Warm up does not repeat)

Seconds Segment	Warm Up				Program segments									
	0.16km	0.16km	0.16km	0.16km	0.16km	0.16km	0.16km	0.16km	0.16km	0.16km	0.16km	0.16km	0.16km	0.16km
	1	2	3	4	5	6	7	8	9	10	11	12	13	14
Level 1	1	1	1	1	1	1	1	1	1	1	1	1	1	1
Level 2	1	2	2	3	3	5	7	4	6	7	4	5	6	3
Level 3	2	2	3	3	4	6	8	5	7	8	5	6	7	4
Level 4	2	3	3	4	6	8	10	7	9	10	7	8	9	6
Level 5	3	4	4	4	8	10	12	9	11	12	9	10	11	8
Level 6	3	5	4	5	10	12	14	11	13	14	11	12	13	10
Level 7	4	5	5	5	11	13	15	12	14	15	12	13	14	11
Level 8	4	5	5	5	13	15	17	14	16	17	14	15	16	13
Level 9	4	5	5	5	15	17	19	16	18	19	16	17	18	15
Level 10	4	5	6	6	16	18	20	17	19	20	17	18	19	16

- 2) **CALORIES:** Set goals for burning calories from 20 to 980 calories in 20 calorie increments. You set your level to keep you in your fat burning zone.

Resistance changes and all segments are 20 calories and repeat. (Warm up does not repeat)

Seconds Segment	Warm Up				Program segments									
	20 cal	20 cal	20 cal	20 cal	20 cal	20 cal	20 cal	20 cal	20 cal	20 cal	20 cal	20 cal	20 cal	20 cal
	1	2	3	4	5	6	7	8	9	10	11	12	13	14
Level 1	1	1	1	1	1	1	1	1	1	1	1	1	1	1
Level 2	1	2	2	3	3	5	7	4	6	7	4	5	6	3
Level 3	2	2	3	3	4	6	8	5	7	8	5	6	7	4
Level 4	2	3	3	4	6	8	10	7	9	10	7	8	9	6
Level 5	3	4	4	4	8	10	12	9	11	12	9	10	11	8
Level 6	3	5	4	5	10	12	14	11	13	14	11	12	13	10
Level 7	4	5	5	5	11	13	15	12	14	15	12	13	14	11
Level 8	4	5	5	5	13	15	17	14	16	17	14	15	16	13
Level 9	4	5	5	5	15	17	19	16	18	19	16	17	18	15
Level 10	4	5	6	6	16	18	20	17	19	20	17	18	19	16



**TARGET HEART RATE:** This program is designed for you to improve your overall cardiovascular fitness levels. You simply set your target heart rate. The program will then monitor and adjust the intensity level to maintain your heart rate within your targeted range while you exercise – a proven method to maximize your weight loss and fitness goals. A chest strap is required and must be worn during the duration of this program. See below for calculating your target heart rate.

### Calculating Your Target Heart Rate

The first step in knowing the right intensity for your training is to find out your maximum heart rate (max HR = 220 – your age). The age-based method provides an average statistical prediction of your max HR and is a good method for the majority of people, especially those new to heart rate training.

The most precise and accurate way of determining your individual max HR is to have it clinically tested by a cardiologist or exercise physiologist through the use of a maximal stress test. If you are over the age of 40, overweight, have been sedentary for several years, or have a history of heart disease in your family, clinical testing is recommended.

This chart gives examples of the heart rate range for a 30 year old exercising at 5 different heart rate zones. For example, a 30-year-old's max HR is  $220 - 30 = 190$  bpm and 90% max HR is  $190 \times 0.9 = 171$  bpm.

#### Additional target heart rate notes:

- 1). The incline trainer resistance will automatically adjust to bring you near your specified heart rate.
- 2). If there is no heart rate detected, the unit will not change the incline.
- 3). If your heart rate is 25 beats over your target zone the program will shut down.

Target Heart Rate Zone	Workout Duration	Example THR (age 30)	Your THR	Recommended For
<b>VERY HARD</b> 90 – 100%	< 5 MIN	171 – 190 BPM		Fit persons for athletic training
<b>HARD</b> 80 – 90%	2 – 10 MIN	152 – 171 BPM		Shorter workouts
<b>MODERATE</b> 70 – 80%	10 – 40 MIN	133 – 152 BPM		Moderately long workouts
<b>LIGHT</b> 60 – 70%	40 – 80 MIN	114 – 133 BPM		Longer and frequently repeated shorter exercises
<b>VERY LIGHT</b> 50 – 60%	20 – 40 MIN	104 – 114 BPM		Weight management and active recovery



## TO RESET THE CONSOLE

Hold **STOP** key for 3 seconds.

## FINISHING YOUR WORKOUT

When your workout is complete, the unit will beep. Your workout information will stay displayed on the console for 30 seconds and then reset.

## USING YOUR MUSIC DEVICE

The 7.2Ai Incline Trainer will connect and stream music from your compatible music device. This includes many smart phones and traditional mp3 players such as the iPod®.

Your 7.2Ai Incline Trainer comes equipped with Bluetooth speakers. Bluetooth compatible devices (running Bluetooth 4.0) can stream music wirelessly from your device to the speakers. You can also connect your music device via an audio cable and still stream music through the speakers. Instructions for both types of audio connection are detailed below.

### CONNECTING VIA BLUETOOTH 4.0LE

- 1) Check to ensure that your music device is Bluetooth 4.0 compatible
- 2) Go into your device's Bluetooth settings and scan for devices.
- 3) On your music device, locate the Bluetooth device list. Select your treadmill or elliptical unit that appears on this list.  
Wait for your music device to finish pairing with the unit.
- 4) You will know when pairing is successful when your music device shows the treadmill or elliptical unit as now being a paired device.

### WHEN UNIT IS POWERED OFF THEN BACK ON

If you turn your treadmill or elliptical unit off, or if it goes into sleep mode, the next time it is powered on the unit will look to pair with the last music device with which it was paired. It will automatically pair at this time.

### RE-PAIRING MUSIC DEVICES

In the event that the unit cannot find the last paired music device (for example, the music device is off or not being used) then the unit will stop looking to pair with the music device. If this happens, and if you wish to use your music device again, then you will need to go through the pairing process listed above and re-pair through your music device's settings.

### USING MULTIPLE MUSIC DEVICES

If multiple devices are being paired with the unit (i.e.: multiple users are using the treadmill or elliptical unit and pairing their music devices with it) then the unit will look to pair with the last device used and “forget” other devices. If you wish to re-pair a “forgotten” music device, then you will need to un-pair the current paired device and then re-pair your device through the pairing procedure noted above.



### CONNECTING VIA AN AUDIO CABLE

- 1) Connect the included AUDIO ADAPTOR CABLE to the AUDIO IN JACK on the top right of the console and the headphone jack on your music device.
- 2) Use your CD / MP3 player buttons to adjust song settings.
- 3) Remove the AUDIO ADAPTOR CABLE when not in use.
- 4) If you don't want to use the SPEAKERS, you can plug your headphones into the AUDIO OUT JACK at the bottom of the console. This ensures that if you accidentally catch the headphone line while running, you won't drop your device to the ground.

## AFG TABLET CONNECTED FITNESS SYSTEM

Your AFG machine is tablet ready, allowing you to use Bluetooth 4.0 technology to wirelessly connect your tablet to your AFG Pro Incline Trainer. Using the free downloadable AFG Fitness app will enable you to control your Incline Trainer's operating functions via your tablet. The app will also allow you to monitor your workout, track your progress and view your workout history. The AFG Fitness app can be downloaded from either the iTunes store for iOS devices or from the Google store for Android devices.

For information about connecting your tablet to your AFG Pro treadmill, setting up the AFG Fitness App and controlling and monitoring your workout with your tablet, see the AFG Connected Fitness Manual included with your Incline Trainer.

## BLUETOOTH HEART RATE MONITORING

The 7.2Ai is equipped with multi-channel Bluetooth which enables you to wirelessly connect compatible Bluetooth heart rate monitoring devices to this incline trainer. You will need to ensure that your wireless heart rate monitoring device is Bluetooth 4.0 compatible and is also “open” to sharing data. Non-“open” or “closed” devices typically only share data with their proprietary apps. The 7.2Ai needs an “open” device to receive data from the device. You may need to consult with your device's owner's manual or the manufacturer to confirm if it is an open device.

If you are using a tablet and running the AFG Fitness app, the compatible Bluetooth heart rate monitoring device will pair automatically to the app. The incline trainer console will then receive the heart rate information from your tablet. If you wish to use the Bluetooth heart rate monitoring device without a tablet and AFG Fitness app, press and hold the Bluetooth button on the console for 5 seconds. This will enable the console to communicate directly with the Bluetooth heart rate monitoring device. Heart rate information will be displayed on your console display. When in heart rate monitor mode, the console will be unable to communicate to the tablet. To enable tablet communication, press and hold the Bluetooth button on the console for 5 seconds or reset power.

# LIMITED HOME-USE WARRANTY





**WEIGHT CAPACITY = 325 lbs (147.4 kilograms)**

**FRAME • LIFETIME**

AFG warrants the frame against defects in workmanship and materials for the lifetime of the original owner, so long as the device remains in the possession of the original owner. (The frame is defined as the welded metal base of the unit and does not include any parts that can be removed.)

**BRAKE • LIFETIME**

AFG warrants the brake against defects in workmanship and materials for the lifetime of the original owner, so long as the device remains in the possession of the original owner. Labor or installation of brake is not covered under the brake warranty.

**ELECTRONICS & PARTS • 3 YEARS**

AFG warrants the electronic components, finish and all original parts for a period of three years from the date of original purchase, so long as the device remains in the possession of the original owner.

**LABOR • 1 YEAR**

AFG shall cover the labor cost for the repair of the device for a period of one year from the date of the original purchase, so long as the device remains in the possession of the original owner.

**INCLINE MOTOR • 1 YEAR**

AFG warrants the incline motor mechanism and parts against defects in workmanship and materials for a period of one year from the date of original purchase, so long as the device remains in the possession of the original owner.

**EXCLUSIONS AND LIMITATIONS**

**Who IS covered:**

- The original owner and is not transferable.

**What IS covered:**

- Repair or replacement of a defective motor, electronic component, or defective part and is the sole remedy of the warranty.

**What IS NOT covered:**

- Normal wear and tear, improper assembly or maintenance, or installation of parts or accessories not originally intended or compatible with the equipment as sold.
- Damage or failure due to accident, abuse, corrosion, discoloration of paint or plastic, neglect, theft, vandalism, fire, flood, wind, lightning, freezing, or other natural disasters of any kind, power reduction, fluctuation or failure from whatever cause, unusual atmospheric conditions, collision, introduction of foreign objects into the covered unit, or modifications that are unauthorized or not recommended by AFG.

- Incidental or consequential damages. AFG is not responsible or liable for indirect, special or consequential damages, economic loss, loss of property, or profits, loss of enjoyment or use, or other consequential damages of whatsoever nature in connection with the purchase, use, repair or maintenance of the equipment. AFG does not provide monetary or other compensation for any such repairs or replacement parts costs, including but not limited to gym membership fees, work time lost, diagnostic visits, maintenance visits or transportation.
- Equipment used for commercial purposes or any use other than a single family or Household, unless endorsed by AFG for coverage.
- Equipment owned or operated outside the US and Canada.
- Delivery, assembly, installation, setup for original or replacement units or labor or other costs associated with removal or replacement of the covered unit.
- Any attempt to repair this equipment creates a risk of injury. AFG is not responsible or liable for any damage, loss or liability arising from any personal injury incurred during the course of, or as a result of any repair or attempted repair of your fitness equipment by other than an authorized service technician. All repairs attempted by you on your fitness equipment are undertaken AT YOUR OWN RISK and AFG shall have no liability for any injury to the person or property arising from such repairs.
- If you are out of the manufacturer's warranty but have an extended warranty, refer to your extended warranty contract for contact information regarding requests for extended warranty service or repair.

## SERVICE/RETURNS

- In-home service is available within 150 miles of the nearest authorized Service Provider (Mileage beyond 150 miles from an authorized service center is the responsibility of the consumer).
- All returns must be pre-authorized.
- The warranty is limited to replacing or repairing, at the servicer's and/or manufacturer's option, the same or comparable model.
- Defective components may be requested to be returned to the manufacturer upon completion of warranty service using a prepaid return shipping label. If you have been advised to return parts and did not receive a label, please contact Customer Tech Support.
- Replacement units, parts and electronic components reconditioned to as-new condition by the manufacturer or its vendors may sometimes be supplied as warranty replacement and constitute fulfillment of warranty terms.
- This warranty gives you specific legal rights, and your rights may vary from states to state.



# FRANÇAIS

# PRÉCAUTIONS IMPORTANTES



## CONSERVEZ CES INSTRUCTIONS

Lors de l'utilisation d'un appareil électrique, il faut toujours prendre certaines précautions de base, dont la suivante : Lisez toutes les instructions avant d'utiliser ce tapis de course incliné. Il incombe au propriétaire de veiller à ce que tous ceux qui utilisent ce tapis de course incliné soient bien informés de tous les avertissements et de toutes les précautions à prendre. Pour toute question après la lecture de ce manuel, communiquez avec le service de soutien technique à la clientèle au numéro indiqué au verso du manuel.

Ce tapis de course incliné est destiné à un usage à domicile uniquement. N'utilisez pas ce tapis de course incliné dans un environnement commercial, de location, scolaire ou institutionnel. Le non-respect de ces instructions annulera la garantie.



## **DANGER**

### **POUR RÉDUIRE LE RISQUE DE DÉCHARGE ÉLECTRIQUE :**

Débranchez toujours l'exerciseur elliptique de la prise électrique immédiatement après l'avoir utilisé, avant de le nettoyer, d'en effectuer l'entretien ainsi qu'avant d'ajouter ou d'enlever des pièces.

## **AVERTISSEMENT**

### **POUR RÉDUIRE LES RISQUES DE BRÛLURES, D'INCENDIE, D'ÉLECTROCUTION OU DE BLESSURES :**

- Si vous éprouvez un inconfort quelconque, y compris, mais sans s'y limiter, des douleurs thoraciques, des nausées, des étourdissements ou des essoufflements, cessez immédiatement tout exercice et consultez votre médecin avant de continuer à utiliser l'appareil.
- Durant l'entraînement, adoptez toujours un rythme confortable. Ne dépassez pas 80 tr/min sur cet appareil.
- Il est recommandé de tenir les guidons pendant les exercices ainsi que pour monter ou descendre de l'exerciseur afin de maintenir votre équilibre.
- Ne tournez pas les leviers des pédales manuellement.
- Assurez-vous que les guidons sont bien fixés avant chaque utilisation.
- Gardez la surface des repose-pieds propre et sèche.
- Soyez prudent en montant ou en descendant de l'appareil. Avant de monter ou de descendre de l'appareil, déplacez la pédale sur le côté de montée ou de descente à sa position la plus basse et immobilisez l'appareil.
- Ne portez pas de vêtements pouvant s'accrocher aux pièces du tapis de course incliné.
- Portez toujours des chaussures de sport lorsque vous utilisez cet appareil.
- Ne sautez pas sur le tapis de course incliné.
- Il ne devrait jamais y avoir plus d'une personne sur le tapis de course incliné pendant qu'il est en marche.
- Ce tapis de course incliné ne doit pas être utilisé par des personnes dont le poids est supérieur à la capacité maximale indiquée dans la SECTION relative à la GARANTIE du MANUEL DU PROPRIÉTAIRE. Le non-respect de ces instructions annulera la garantie.
- Ce tapis de course incliné est destiné à un usage à domicile uniquement. N'utilisez pas ce tapis de course incliné dans un environnement commercial, de location, scolaire ou institutionnel. Le non-respect de ces instructions annulera la garantie.
- N'utilisez pas ce tapis de course incliné dans un endroit où la température n'est pas contrôlée, notamment, mais sans s'y limiter, dans les garages, sur les vérandas, dans les salles de piscine, dans les salles de bain, dans les abris d'auto ou à l'extérieur. Le non-respect de ces instructions annulera la garantie.
- Pour éviter toute décharge électrique, ne laissez jamais tomber et n'insérez jamais d'objets dans aucune ouverture de l'équipement.
- Ne branchez cet exerciseur que dans une prise de courant avec mise à la terre adéquate.

## **AVERTISSEMENT**

### **POUR RÉDUIRE LES RISQUES DE BRÛLURES, D'INCENDIE, D'ÉLECTROCUTION OU DE BLESSURES :**

- Éloignez le cordon d'alimentation des surfaces chaudes. Ne transportez pas cet appareil par son cordon d'alimentation et n'utilisez pas le cordon en guise de poignée.
- N'utilisez pas d'autres accessoires qui ne sont pas recommandés par le fabricant. Les accessoires peuvent causer des blessures.
- N'utilisez pas cet appareil dans des endroits où des produits aérosol (produits à vaporiser) sont utilisés ou lorsque de l'oxygène est administré.
- Utilisez uniquement le tapis de course incliné de la manière décrite dans le présent manuel.
- Mettez l'équipement hors tension avant d'en effectuer l'entretien ou de le déplacer. Pour le nettoyage, utilisez du savon et un chiffon légèrement humecté; n'utilisez jamais de solvants. (Consultez la section relative à l'ENTRETIEN)
- Le tapis de course incliné ne doit jamais être laissé sans surveillance lorsqu'il est branché. Débranchez l'appareil de la prise lorsqu'il n'est pas utilisé, et avant d'ajouter ou d'enlever des pièces.
- N'utilisez pas l'appareil sous une couverture ou un oreiller. Cela pourrait entraîner la production d'une chaleur excessive pouvant provoquer un incendie, une décharge électrique ou des blessures.
- Les enfants de moins de 13 ans et les animaux familiers doivent en TOUT temps se tenir à au moins 3 m (10 pi) du tapis de course incliné.
- Les enfants de moins de 13 ans ne doivent EN AUCUN CAS utiliser le tapis de course incliné.
- Les enfants de moins de 13 ans ou les personnes handicapées ne doivent pas utiliser le tapis de course incliné sans la supervision d'un adulte.
- N'utilisez jamais le tapis de course incliné si le cordon d'alimentation ou la fiche est endommagé, s'il ne fonctionne pas correctement, s'il a été échappé ou endommagé ou s'il a été immergé dans l'eau. Retournez le tapis de course incliné à un centre de services pour le faire examiner et réparer.
- Pour débrancher l'appareil, réglez toutes les commandes à la position d'arrêt (« OFF »), puis retirez la fiche de la prise.
- N'enlevez pas les garnitures de console à moins d'en avoir reçu les instructions du soutien technique à la clientèle. L'entretien et les réparations ne doivent être effectués que par un technicien en entretien et en réparation agréé.

Il est important de n'utiliser le tapis de course incliné qu'à l'intérieur, dans une pièce à température contrôlée. Si votre tapis de course incliné a été exposé à des températures plus froides ou à un climat très humide, il est fortement recommandé de le laisser réchauffer à la température ambiante avant la première utilisation. Le non-respect de cette directive peut entraîner une défaillance électronique prématurée.

## **AVERTISSEMENT**

Ce produit contient des produits chimiques reconnus par l'État de la Californie comme pouvant causer le cancer et des anomalies congénitales ou d'autres troubles de la reproduction.





## INSTRUCTIONS DE MISE À LA TERRE

Si votre tapis de course incliné comporte un dispositif mécanique de réglage de l'inclinaison avec fiche à 3 broches, suivez ces instructions de mise à la terre.

Cet appareil doit être mis à la terre. Si le tapis de course incliné fait défaut ou tombe en panne, la mise à la terre fournit une voie de moindre résistance pour le courant électrique, et ce, afin de réduire le risque de décharge électrique. Cet appareil est équipé d'un cordon d'alimentation avec conducteur de terre et d'une fiche mise à la terre pour protéger l'équipement. La fiche doit être branchée dans une prise de courant correctement installée et mise à la terre et qui est conforme aux codes et règlements locaux.

## DANGER

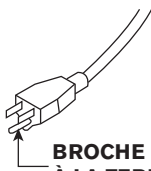
Un raccord inapproprié du conducteur assurant la mise à la terre de l'équipement présente un risque d'électrocution. Faites appel à un électricien ou à un préposé à l'entretien qualifié si vous n'êtes pas certain(e) que l'appareil est correctement mis à la terre. Ne modifiez pas la fiche d'alimentation fournie avec l'appareil. Si elle ne convient pas à votre prise de courant, faites installer une prise de courant appropriée par un électricien qualifié.

Ce produit doit être utilisé sur un circuit nominal de 110-120 V et comporte une fiche de mise à la terre semblable à la fiche qui apparaît sur l'illustration. Assurez-vous que le produit est branché dans une prise dont la configuration est la même que celle de la fiche. Aucun adaptateur ne doit être utilisé avec ce produit.

Cet appareil doit être alimenté par un circuit dédié. Pour déterminer si c'est bien le cas, coupez l'alimentation de ce circuit et observez si d'autres appareils s'éteignent. Si oui, branchez ces appareils sur un autre circuit. Remarque : un même circuit comporte habituellement plusieurs prises. Ce tapis de course incliné doit être utilisé avec un circuit d'au moins 20 A.

## AVERTISSEMENT

**PRISE DE  
COURANT  
À TROIS  
PÔLES MISE  
À LA TERRE**



**BROCHE DE MISE  
À LA TERRE**

Ne branchez cet exerciceur que dans une prise de courant avec mise à la terre adéquate.

Ne faites jamais fonctionner l'appareil si le cordon d'alimentation ou la fiche est endommagé, et ce, même s'il fonctionne correctement. Ne faites jamais fonctionner un produit qui semble endommagé ou qui a été plongé dans l'eau. Communiquez avec le soutien technique à la clientèle pour des pièces de remplacement ou une réparation.

# ASSEMBLAGE



## ⚠ AVERTISSEMENT

Le processus d'assemblage comporte certaines étapes au cours desquelles il faut faire particulièrement attention. Il est très important de suivre correctement les instructions d'assemblage et de s'assurer que toutes les pièces sont bien serrées. Si les instructions d'assemblage ne sont pas suivies à la lettre, certaines parties du cadre du tapis de course incliné pourraient être mal serrées et bouger, et ainsi causer des bruits irritants. Afin de ne pas endommager le tapis de course incliné, lisez les instructions d'assemblage et prenez les mesures correctives qui s'imposent.

Avant de continuer, recherchez le numéro de série de votre tapis de course incliné qui figure sur un autocollant de code à barres blanc apposé sur le tube de stabilisation avant et inscrivez-le dans l'espace prévu ci-dessous.

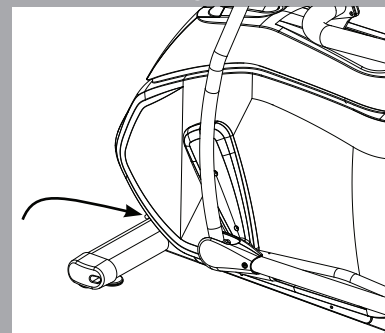
INSCRIVEZ VOTRE NUMÉRO DE SÉRIE DANS LA CASE CI-DESSOUS :

NUMÉRO DE SÉRIE :

EP

NOM DE MODÈLE : TAPIS DE COURSE INCLINÉ AFG PRO 7.2AI

## EMPLACEMENT DU NUMÉRO DE SÉRIE



» Faites référence au NUMÉRO DE SÉRIE et au NOM DU MODÈLE lors de tout appel à un service de réparations.



CONSOLE

POIGNÉE DE GUIDON SUPÉRIEURE

HAUT-PARLEURS

POIGNÉES DÉTECTANT LA  
FRÉQUENCE CARDIAQUE

**⚠ WARNING**  
 CONSULT A PHYSICIAN PRIOR TO USING  
 ANY EXERCISE EQUIPMENT.  
 POSSIBILITY OF SERIOUS INJURY IF  
 EQUIPMENT IS USED IMPROPERLY.  
 READ INSTRUCTION MANUAL BEFORE  
 USING. KEEP CHILDREN OFF AND AWAY  
 FROM THIS EQUIPMENT, FOR  
 CONSUMER USE ONLY.

**⚠ AVERTISSEMENT**  
 CONSULTER UN MÉDECIN AVANT D'UTILISER  
 TOUT ÉQUIPEMENT D'EXERCICE. TOUTE  
 UTILISATION INAPPROPRIÉE PEUT  
 OCCASIONNER DE GRAVES BLESSURES.  
 LIRE LE MANUEL D'INSTRUCTIONS AVANT  
 DE SE SERVIR DE L'APPAREIL. TENIR LES  
 ENFANTS À DISTANCE DE L'APPAREIL. À  
 L'USAGE UNIQUEMENT DES CONSOMMATEURS.

**⚠ ADVERTENCIA**  
 CONSULTAR A UN MÉDICO ANTES DE USAR  
 CUALQUIER EQUIPO DE ACONDICIONAMIENTO  
 FÍSICO. SOBRE LA PROBABILIDAD DE SUFRIR  
 LESIONES GRAVES SI EL EQUIPO SE USA  
 INCORRECTAMENTE. LEER EL MANUAL DE  
 INSTRUCCIONES ANTES DE USAR EL EQUIPO. NO  
 DEJE QUE LOS NIÑOS SE ACERCEN A ESTE  
 EQUIPO. ESTE EQUIPO ES ÚNICAMENTE USO  
 DEL CONSUMIDOR.

POIGNÉE DE GUIDON INFÉRIEURE

CORDON D'ALIMENTATION  
DOUILLE

TUBE DE STABILISATION

BRAS DE LIAISON

TRAVERSE INFÉRIEURE

CAUTION	ATTENTION	PRECAUCIÓN
KEEP HANDS AND FEET AWAY FROM THIS AREA.	GARDER LES MAINS ET LES PIEDS LOIN DE CETTE RÉGION.	MANTEGA LAS MANOS Y LOS PIES LEJOS DE ESTA ÁREA.

SUPPORT DE LECTURE / TABLETTE

PORT USB

BOUTON DE RÉGLAGE  
ET FENÊTRES D'AFFICHAGE

PORTE-BOUTEILLE D'EAU

MONTANT DE CONSOLE

MAIN COURANTE  
SUPÉRIEURE

BRAS MOBILE

LEVIER DE PÉDALE

PLAQUES DE PIED

MONTANT VERTICAL ARRIÈRE

## OUTILS INCLUS :

- Clé en L de 5 mm
- Clé en L de 6 mm
- Clé en L de 8 mm
- Clé plate en L de 13/17 mm

## PIÈCES INCLUSES :

- 1 console
- 1 montant de console
- 1 porte-bouteille d'eau
- 1 cadre principal
- 1 câble d'adaptateur audio
- 2 capuchons de guidon
- 2 poignées de guidon supérieures
- 2 poignées de guidon inférieures
- 2 bras mobiles
- 2 bras de liaison
- 2 leviers de pédale
- 2 montants verticaux arrière
- 2 mains courantes supérieures
- 1 cordon d'alimentation
- 2 couvre-joints

## PRÉASSEMBLAGE

---

### DÉBALLAGE

Déballer l'appareil à l'endroit où vous l'utiliserez. Déposez la boîte contenant le tapis de course incliné sur une surface nivelée et plane. Il est conseillé de placer une toile de protection sur le sol. N'ouvrez pas la boîte si elle repose sur le flanc.

**REMARQUE :** à chaque étape de l'assemblage, vérifiez que TOUS les boulons et que TOUS les écrous sont bien en place et qu'ils sont partiellement serrés avant même de serrer à fond UN seul boulon.

**REMARQUE :** une légère application de graisse peut faciliter l'installation de la quincaillerie. N'importe quel type de graisse, comme la graisse au lithium pour vélos, est recommandé.



### BESOIN D'AIDE?

En cas de questions ou s'il manque des pièces, adressez-vous au soutien technique à la clientèle.

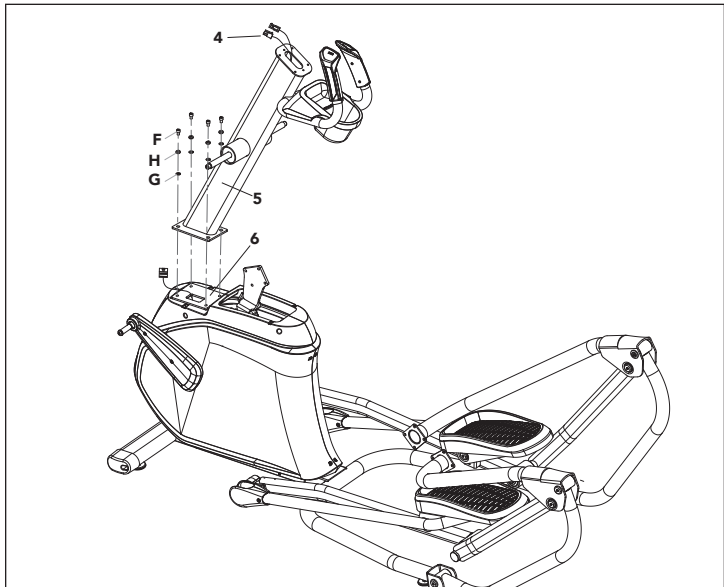
Les informations pour communiquer avec ce service figurent au verso du présent manuel.





# ASSEMBLAGE ÉTAPE 1

QUINCAILLERIE POUR L'ÉTAPE 1 • PRÉ-INSTALLÉE			
PIÈCE	TYPE	DESCRIPTION	QTÉ
F	BOULON	M10X1,5PX20L	4
G	RONDELLE PLATE	10,5X18X2,0T	4
H	RONDELLE ÉLASTIQUE	10,2X18,4X2,5L	4



### REMARQUE :

toute la quincaillerie nécessaire pour cette étape est préinstallée. Afin d'éviter les rayures lors de l'assemblage, ne retirez pas les plastiques des tubes avant L'ÉTAPE 4. Nous vous recommandons également de recouvrir la traverse inférieure avec du plastique de l'emballage.

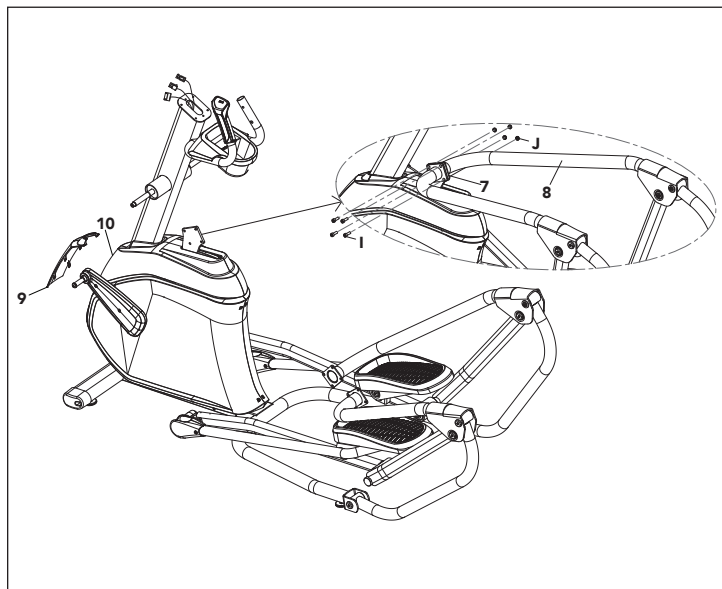
- A Tirez délicatement le **CÂBLE DE LA CONSOLE (4)** à travers le **MONTANT DE LA CONSOLE (5)** à l'aide de l'attache torsadée située à l'intérieur du **MONTANT DE LA CONSOLE (5)**.
- B Fixez le **MONTANT DE LA CONSOLE (5)** au **CADRE DE LA BASE (6)** à l'aide des **4 BOULONS (F)**, **4 RONDELLES FREINS (H)** et **4 rondelles PLATES (G) PRÉ-ASSEMBLÉS**

**REMARQUE :** Veillez à ne pincer aucun des fils pendant l'installation du montant de console ou de la console.

## ASSEMBLAGE ÉTAPE 2

### QUINCAILLERIE POUR L'ÉTAPE 2 • PRÉ-INSTALLÉE

PIÈCE	TYPE	DESCRIPTION	QTÉ
I	BOULON	M8X1,25PX25L-15L	4
J	ÉCROU	M8X1.25P	4



### REMARQUE :

toute la quincaillerie nécessaire pour cette étape est préinstallée.

- A Fixez le **CAPUCHON SUPÉRIEUR AVANT (10)** aux capuchons latéraux.

### REMARQUE :

Ceci doit être assemblé avant la main courante supérieure.

- B Fixez chaque **MAIN COURANTE SUPÉRIEURE (8)** à la **BARRE D'INCLINAISON (7)** à l'aide des **4 BOULONS (I)** et **4 ÉCROUS (J)** pré-assemblés. Afin de rendre l'assemblage plus facile, commencez par resserrer légèrement les quatre boulons puis resserrez-les fermement une fois qu'ils ont tous été mis en place.
- C Fixez en place le **CAPUCHON SUPÉRIEUR ARRIÈRE (9)** sur **LE CAPUCHON SUPÉRIEUR AVANT (10)**.





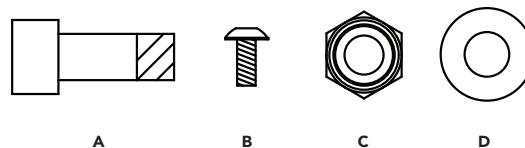
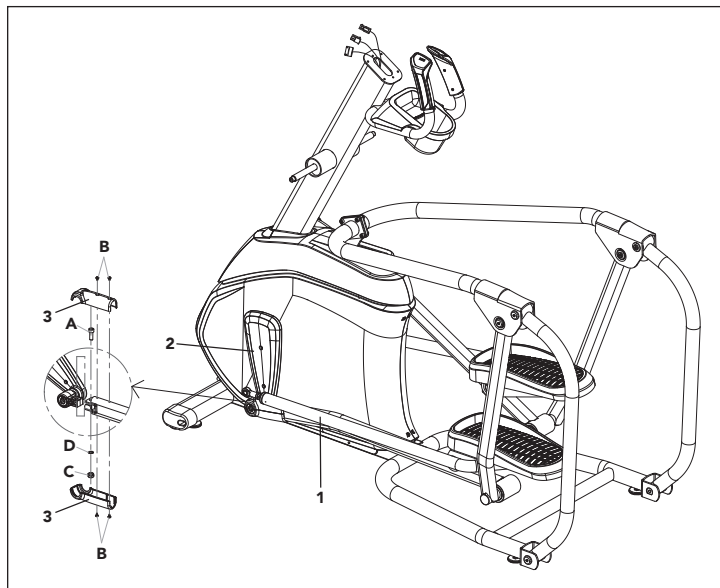
# ASSEMBLAGE ÉTAPE 3

QUINCAILLERIE POUR L'ÉTAPE 3			
PIÈCE	TYPE	DESCRIPTION	QTÉ
A	BOULON	M10X1,5PX45L-16L	1
B	BOULON	M4X0,7PX8L	4
C	ÉCROU EN NYLON	M10X1,5P	1
D	RONDELLE PLATE	10,2X20,0X1,0L	1

A Ouvrez **LE SACHET CONTENANT LA QUINCAILLERIE À UTILISER LORS DE L'ÉTAPE 3.**

B Fixez le **BRAS DE LIAISON GAUCHE (1)** à la **MANIVELLE GAUCHE (2)** à l'aide d'**1 BOULON (A)**, **1 RONDELLE (D)** et **1 ÉCROU EN NYLON (C)**

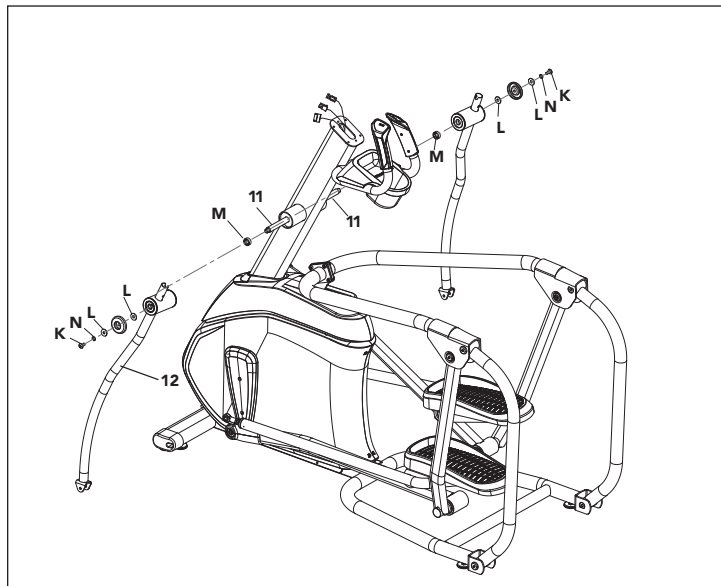
C Placez les **COUVRE-JOINTS (3)** sur le **JOINT DU BRAS DE LIAISON GAUCHE** à l'aide de **4 BOULONS (B)**.



## ASSEMBLAGE ÉTAPE 4

### QUINCAILLERIE POUR L'ÉTAPE 4

PIÈCE	TYPE	DESCRIPTION	QTÉ
K	BOULON	M8X1,25PX20L	2
L	RONDELLE PLATE	8,6X26,0X2,0	4
M	RONDELLE EN PLASTIQUE	20X27X9,5T	2
N	RONDELLE ÉLASTIQUE	8,2X15,4X2,0T	2



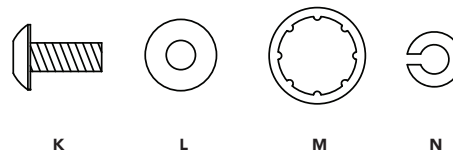
A Ouvrez **LE SACHET CONTENANT LA QUINCAILLERIE À UTILISER LORS DE L'ÉTAPE 4.**

B Glissez **1 RONDELLE EN PLASTIQUE (M)** sur **L'AXE DE GUIDON GAUCHE (11).**

C Glissez **LE GUIDON INFÉRIEUR GAUCHE (12)** sur **L'AXE DE GUIDON (11)**. Vérifiez que le **GUIDON INFÉRIEUR GAUCHE (12)** soit bien positionné de la même manière que sur le schéma.

D Fixez l'**ASSEMBLAGE DE LA POIGNÉE** à l'aide d'**1 RONDELLE PLATE (L)**, **1 CAPUCHON DE GUIDON**, **1 RONDELLE PLATE (L)**, **1 RONDELLE ÉLASTIQUE (N)** et **1 BOULON (K)**.

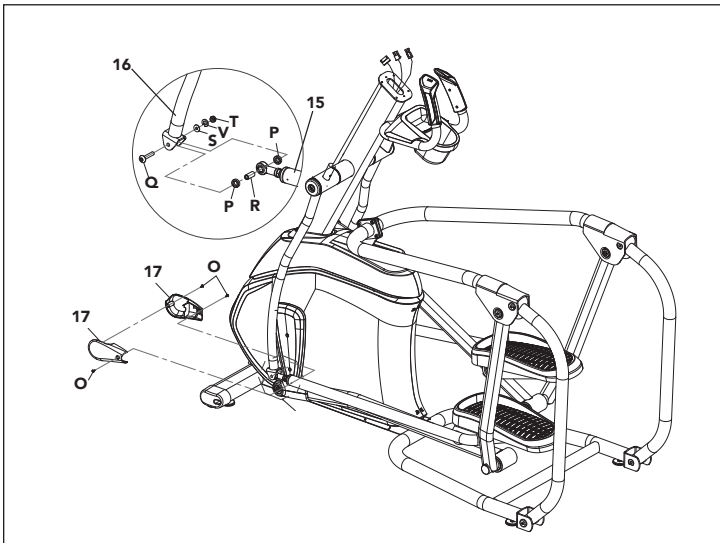
E Répétez les étapes **B à E** sur le côté opposé.



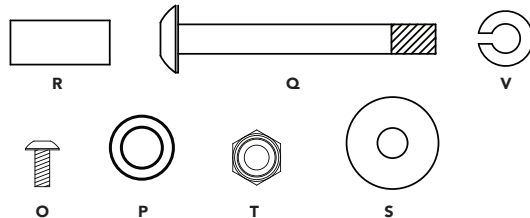


# ASSEMBLAGE ÉTAPE 5

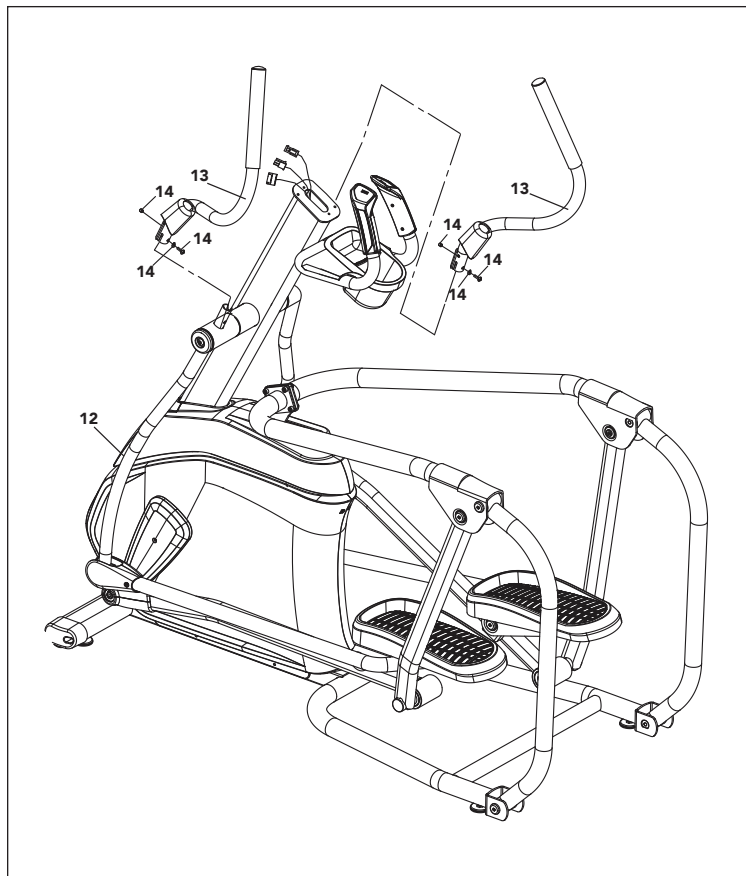
QUINCAILLERIE POUR L'ÉTAPE 5			
PIÈCE	TYPE	DESCRIPTION	QTÉ
O	BOULON	M4X0,7PX8L	6
P	BAGUE D'ÉCARTEMENT	12X20,0X6T	4
Q	BOULON	M8X1,25PX45L	2
R	AXE	12X27	2
S	RONDELLE PLATE	8,2X25,0X1,5T	2
T	ÉCROU	M8X1,25P	2
V	RONDELLE ÉLASTIQUE	8,2X15,4X2,0T	2



- A Ouvrez **LE SACHET CONTENANT LA QUINCAILLERIE À UTILISER LORS DE L'ÉTAPE 5.**
- B Glissez l'**AXE (R)** à l'intérieur de l'extrémité du **BRAS DE LIAISON (15).**
- C Placez une **BAGUE D'ÉCARTEMENT (P)** sur les deux côtés du **BRAS DE LIAISON (15)**. Alignez l'extrémité du **BRAS DE LIAISON (15)** à la ferrure du bas de la **POIGNÉE INFÉRIEURE (16)**. Tout en maintenant les **BAGUES D'ÉCARTEMENT**, glissez le **BRAS DE LIAISON (15)** à l'intérieur de l'extrémité du bas de la **POIGNÉE INFÉRIEURE (16)**.
- D Fixez le joint à l'aide d'**1 BOULON (Q)**, **1 RONDELLE PLATE (S)**, **1 RONDELLE ÉLASTIQUE (V)** et **1 ÉCROU (T)**.
- E Répétez les étapes **B à D** de l'autre côté.
- F Fixez les **COUVRE-JOINTS (17)** au joint entre le **BRAS DE LIAISON (15)** et la **POIGNÉE INFÉRIEURE (16)** à l'aide de **3 BOULONS (O)**.



## ASSEMBLAGE ÉTAPE 6



### REMARQUE :

toute la quincaillerie nécessaire pour cette étape est préinstallée.

- A Glissez **LE GUIDON SUPÉRIEUR GAUCHE (13)** sur **LE GUIDON INFÉRIEUR GAUCHE (12)**. À l'aide d'**1 BOULON, 1 RONDELLE et 1 VIS DE PRESSION PRÉFIXÉS (14)**, reliez les **POIGNÉES SUPÉRIEURE ET INFÉRIEURE** comme illustrées sur le schéma. Ne serrez pas la vis de pression avant que le boulon ne soit en place.
- B Répétez l'étape **A** sur le côté opposé.



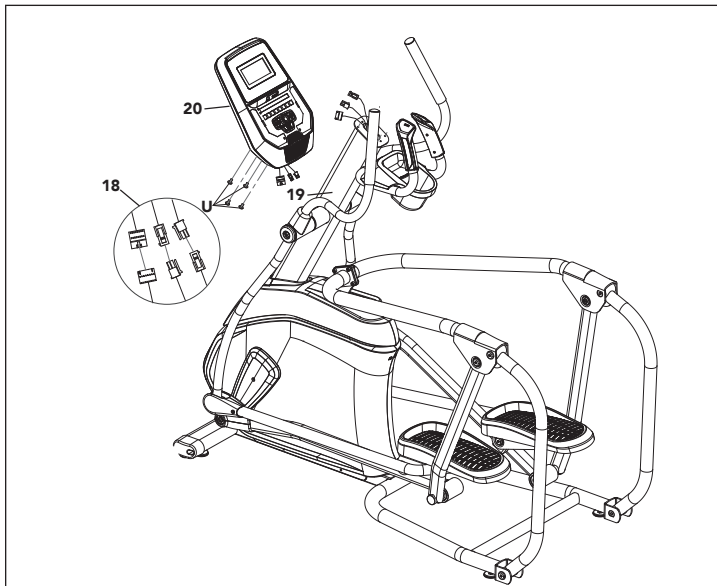


## ASSEMBLAGE ÉTAPE 7

QUINCAILLERIE POUR L'ÉTAPE 7 • PRÉ-INSTALLÉE			
PIÈCE	TYPE	DESCRIPTION	QTÉ
U	BOULONS	M5X12L	4

- A Branchez les **CÂBLES DE LA CONSOLE (18)**.
- B Insérez soigneusement les **CÂBLES DE LA CONSOLE (19)** dans le **MONTANT DE LA CONSOLE (19)** avant de fixer la **CONSOLE (20)**. Fixez la **CONSOLE (20)** au **MONTANT DE LA CONSOLE (19)** à l'aide de **4 BOULONS PRÉINSTALLÉS (U)**.

**FÉLICITATIONS.  
ASSEMBLAGE TERMINÉ!**



# FONCTIONNEMENT DE L'EXERCISEUR ELLIPTIQUE

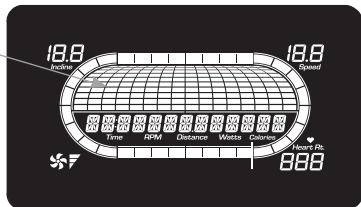


Cette section explique comment utiliser la console de votre exerciceur elliptique et comment la programmer. La section **FONCTIONNEMENT DE BASE** du **GUIDE D'UTILISATION DE L'EXERCISEUR ELLIPTIQUE** comprend des directives sur les points suivants :

- **EMPLACEMENT DE L'EXERCISEUR ELLIPTIQUE**
- **INSTRUCTIONS CONCERNANT L'ALIMENTATION ET LA MISE À LA TERRE**
- **POSITIONNEMENT DES PIEDS**
- **DÉPLACEMENT DE L'EXERCISEUR ELLIPTIQUE**
- **MISE À NIVEAU DE L'EXERCISEUR ELLIPTIQUE**
- **FONCTIONNEMENT MANUEL OU ÉLECTRIQUE DE L'INCLINAISON**
- **UTILISATION DE LA FONCTION FRÉQUENCE CARDIAQUE**



A



P

B

C

D

F

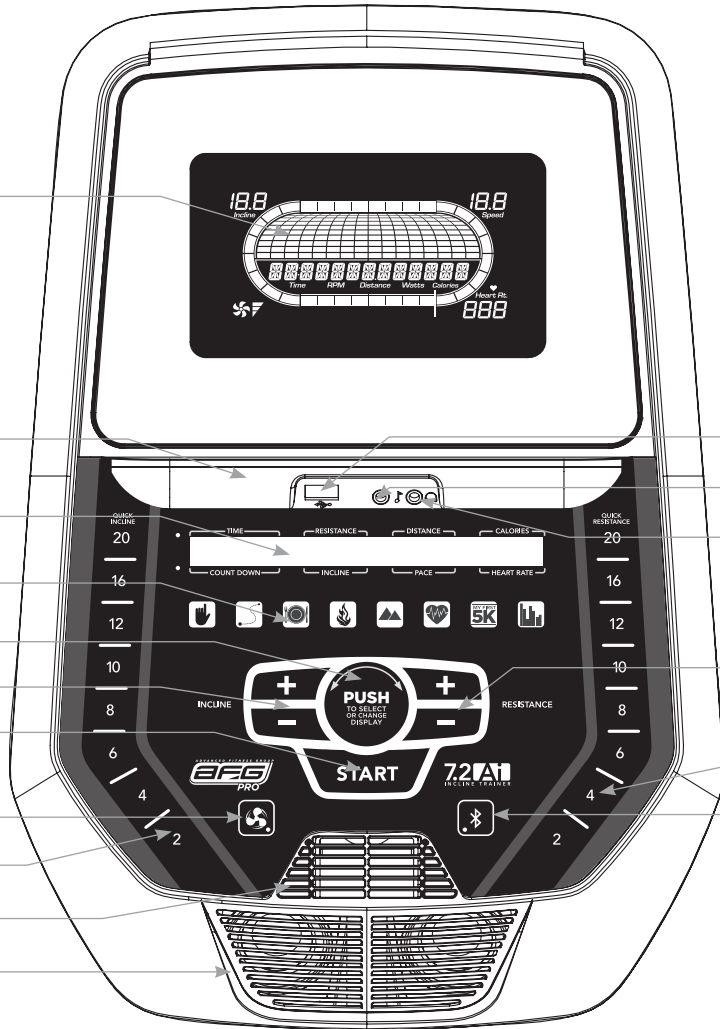
E

J

H

K

L



O

M

N

G

I

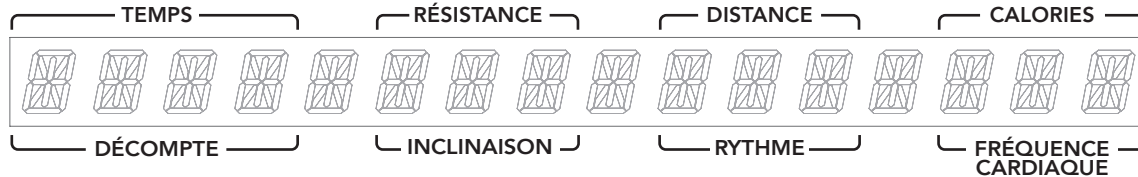
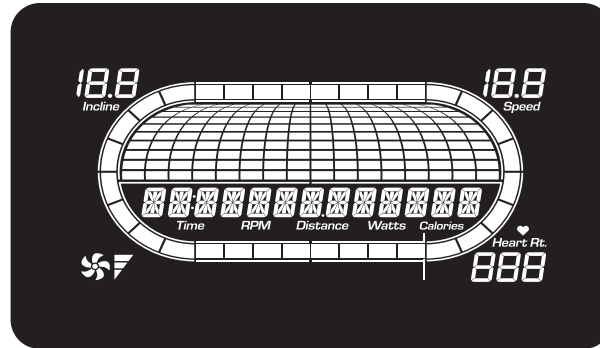
Q

## FONCTIONNEMENT DE LA CONSOLE

Remarque : Avant d'utiliser la console, enlevez la fine pellicule protectrice en plastique transparent qui la recouvre.

- A) **FENÊTRES D'AFFICHAGE LCD** : inclinaison, vitesse, tr/min, watts, calories.
- B) **ÉCRAN DEL** : temps, résistance, distance, calories, décompte, inclinaison, rythme, rythme cardiaque.
- C) **INDICATEURS DEL RELATIFS À L'ENTRAÎNEMENT** : indiquent l'entraînement fixé dans le cadre du programme actuel.
- D) **SÉLECTION DE L'OBJECTIF/DE L'ENTRAÎNEMENT** : tournez le bouton ou appuyez dessus pour sélectionner votre entraînement/objectif.
- E) **DÉMARRAGE** : appuyez sur ce bouton pour commencer une séance d'exercice, commencer un entraînement ou poursuivre l'exercice après une pause.
- F) **TOUCHES D'INCLINAISON +/-** : servent à régler l'inclinaison par petits incréments.
- G) **TOUCHES DE RÉSISTANCE +/-** : servent à régler la résistance par petits incréments.
- H) **TOUCHES DE RÉGLAGE RAPIDE DE L'INCLINAISON** : servent à atteindre l'inclinaison désirée plus rapidement.
- I) **TOUCHES RAPIDES DE RÉSISTANCE** : utilisées pour obtenir la résistance désirée plus rapidement.
- J) **TOUCHE VENTILATEUR** : appuyez sur cette touche pour allumer ou arrêter le ventilateur.
- K) **VENTILATEUR** : ventilateur de conditionnement physique personnel.
- L) **HAUT-PARLEURS** : diffusent la musique par les haut-parleurs lorsque votre lecteur de CD/MP3 est branché à la console.
- M) **PRISE D'ENTRÉE AUDIO** : branchez votre lecteur de CD OU MP3 dans la console à l'aide du câble adaptateur audio inclus.
- N) **PRISE DE SORTIE AUDIO/PRISE POUR ÉCOUTEURS** : branchez vos écouteurs dans cette prise pour écouter votre musique par l'entremise des écouteurs. Remarque : lorsque les écouteurs sont branchés dans la prise correspondante, le son n'est plus diffusé par les haut-parleurs.
- O) **PORT USB** : puissance de sortie USB de 1 A/5 V.
- P) **SUPPORT DE LECTURE/TABLETTE** : sert à poser une tablette ou un livre/périodique.
- Q) **TÉMOIN LUMINEUX BLUETOOTH** : s'allume lorsque la machine est appairée avec un appareil compatible Bluetooth.





## FENÊTRES D’AFFICHAGE

- **TEMPS** : indiqué selon le format minutes:secondes. Affichage de la durée restante ou écoulée de votre séance d'entraînement.
- **DISTANCE** : indiquée en miles. indique la distance parcourue.
- **VITESSE** : indiquée en mi/h. indique la vitesse de déplacement des repose-pieds.
- **INCLINAISON** : indique le niveau d'inclinaison de la rampe.
- **CALORIES** : total de calories brûlées.
- **FRÉQUENCE CARDIAQUE** : indique les BPM (battements par minute). Permet à l'utilisateur de surveiller sa fréquence cardiaque (s'affiche lorsqu'un contact est établi avec les deux poignées détectant la fréquence cardiaque).
- **RÉSISTANCE** : affiche le niveau de résistance actuel.
- **RYTHME** : indique combien de minutes cela prend de compléter un mille terrestre à la vitesse actuelle.
- **TR/MIN** : tours par minute.
- **WATTS** : affiche la quantité d'énergie produite par l'utilisateur actuel.

## POUR COMMENCER

- 1) Assurez-vous qu'il n'y a aucun objet placé sur la courroie qui risquerait de gêner les mouvements du tapis de course incliné.
- 2) Branchez le cordon d'alimentation et mettez le tapis de course incliné sous tension. (L'interrupteur MARCHE/ARRÊT est situé près du cordon d'alimentation.)
- 3) Vous avez deux options pour commencer votre entraînement :

### **A) MISE EN MARCHÉ RAPIDE**

Appuyez simplement sur la touche DÉMARRAGE pour commencer une séance d'entraînement. Le temps écoulé, la distance parcourue et les calories brûlées seront calculés à partir de zéro. OU...

### **B) SÉLECTIONNEZ UN ENTRAÎNEMENT OU UN OBJECTIF**

- 1) Sélectionnez **L'UTILISATEUR** en tournant le bouton d'entraînement puis en appuyant dessus lorsque **L'UTILISATEUR** souhaité s'affiche.
- 2) Sélectionnez le **POIDS** en tournant le bouton d'entraînement puis en appuyant dessus lorsque le **POIDS** souhaité s'affiche.
- 3) Sélectionnez le **PROGRAMME** en tournant le bouton d'entraînement puis en appuyant dessus lorsque le **PROGRAMME** souhaité s'affiche.
- 4) Ajustez le **RÉGLAGE** d'intensité en tournant le bouton d'entraînement puis en appuyant dessus lorsque le **RÉGLAGE** souhaité s'affiche.
- 5) Appuyez sur **DÉMARRER** pour commencer votre séance d'entraînement.





## PROFILS D'ENTRAÎNEMENT

- 1) **MANUEL** : Contrôlez l'intégralité de votre entraînement, du début à la fin. Ce programme est un entraînement de base sans aucun paramètre prédéfini, qui vous permet de régler manuellement la machine à tout moment. Elle commencera avec une résistance de 1.
- 2) **MONTÉE** : simule la montée et la descente d'une colline. Ce programme aide à tonifier les muscles et à améliorer la capacité cardiovasculaire. L'inclinaison et la résistance changent et les segments se répètent toutes les 60 secondes.

L'inclinaison et la résistance changent toutes les 60 secondes.

Secondes		Échauffement				Segments du programme - Répétition					
		60	60	60	60	60	60	60	60	60	60
Niveau	Segment	1	2	3	4	5	6	7	8	9	10
1	Installation	0	2	2	4	4	4	6	6	6	6
	Résistance	1	2	2	3	2	3	4	5	4	3
2	Installation	0	2	2	4	6	6	6	6	8	8
	Résistance	1	2	2	3	4	5	6	7	6	5
3	Installation	0	2	2	6	6	6	8	8	10	10
	Résistance	1	2	2	4	6	7	8	8	8	7
4	Installation	0	2	2	6	8	8	10	10	10	10
	Résistance	1	2	2	5	8	9	10	11	10	9
5	Installation	2	4	6	8	10	10	10	10	12	12
	Résistance	2	3	5	6	10	11	12	13	12	11
6	Installation	2	4	6	10	10	10	12	12	14	14
	Résistance	2	3	5	7	12	13	14	15	14	13
7	Installation	2	4	6	10	12	12	14	14	16	16
	Résistance	2	3	5	8	14	15	16	17	16	15
8	Installation	2	4	6	12	14	14	16	16	16	16
	Résistance	2	3	5	9	15	16	17	18	17	16
9	Installation	4	6	6	14	16	16	16	16	18	18
	Résistance	3	4	5	10	16	17	18	19	18	17
10	Installation	4	6	10	16	16	16	18	18	18	18
	Résistance	3	4	8	11	17	18	19	20	19	18





- 4) **PERTE DE GRAISSE** : Le principe de ce mode est de maximiser vos objectifs de perte de poids en adoptant un rythme relativement lent et régulier. Favorise la perte de poids en augmentant et en diminuant la résistance tout en maintenant l'utilisateur dans la zone qui favorise la perte de graisse. La résistance change et les segments se répètent toutes les 60 secondes.

La résistance change toutes les 60 secondes.

Secondes	Échauffement				Segments du programme - Répétition											
	60	60	60	60	60	60	60	60	60	60	60	60	60	60	60	60
Segment	1	2	3	4	5	6	7	8	9	10	11	12	13	14	15	16
Niveau 1	1	2	2	3	4	3	4	5	5	3	4	6	6	5	4	3
Niveau 2	2	3	3	3	5	4	5	6	6	4	5	7	7	6	5	4
Niveau 3	2	4	4	5	7	6	7	8	8	6	7	9	9	8	7	6
Niveau 4	3	4	5	6	8	7	8	9	9	7	8	10	10	9	8	7
Niveau 5	4	6	7	7	10	9	10	11	11	9	10	12	12	11	10	9
Niveau 6	4	6	7	8	11	10	11	12	12	10	11	13	13	12	11	10
Niveau 7	5	7	9	9	13	12	13	14	14	12	13	15	15	14	13	12
Niveau 8	5	8	9	10	14	13	14	15	15	13	14	16	16	15	14	13
Niveau 9	6	9	11	12	16	15	16	17	17	15	16	18	18	17	16	15
Niveau 10	7	10	12	13	18	17	18	19	19	17	18	20	20	19	18	17

- 5) **SUR MESURE** : vous permet de créer et de refaire une séance d'entraînement parfaite pour vous avec une résistance, une inclinaison et une durée ou une distance spécifiques. L'ultime programme personnel. Ce programme est basé sur un objectif de temps ou de distance.

## PROFILS DES OBJECTIFS



- 1) **DISTANCE** : Allez toujours plus loin lors de l'entraînement avec 13 entraînements basés sur la distance. Choisissez parmi un entraînement de 1 mile, 2 miles, 5 km, 5 miles, 10 km, 8 miles, 15 km, 20 km, un semi-marathon, 15 miles, 20 miles ou un entraînement basé sur des objectifs de marathon. Vous définissez votre niveau.

La résistance change et tous les segments sont d'une distance de 0,16 km et se répètent (l'échauffement ne se répète pas).

Secondes	Échauffement				Segments du programme									
	0,16 km	0,16 km	0,16 km	0,16 km	0,16 km	0,16 km	0,16 km	0,16 km	0,16 km	0,16 km	0,16 km	0,16 km	0,16 km	0,16 km
Segment	1	2	3	4	5	6	7	8	9	10	11	12	13	14
Niveau 1	1	1	1	1	1	1	1	1	1	1	1	1	1	1
Niveau 2	1	2	2	3	3	5	7	4	6	7	4	5	6	3
Niveau 3	2	2	3	3	4	6	8	5	7	8	5	6	7	4
Niveau 4	2	3	3	4	6	8	10	7	9	10	7	8	9	6
Niveau 5	3	4	4	4	8	10	12	9	11	12	9	10	11	8
Niveau 6	3	5	4	5	10	12	14	11	13	14	11	12	13	10
Niveau 7	4	5	5	5	11	13	15	12	14	15	12	13	14	11
Niveau 8	4	5	5	5	13	15	17	14	16	17	14	15	16	13
Niveau 9	4	5	5	5	15	17	19	16	18	19	16	17	18	15
Niveau 10	4	5	6	6	16	18	20	17	19	20	17	18	19	16

- 2) **CALORIES** : fixez-vous des objectifs pour brûler entre 20 et 980 calories par incréments de 20 calories. Vous définissez votre niveau afin de vous maintenir dans la zone qui favorise la perte de graisse.

La résistance change et tous les segments représentent 20 calories et se répètent. (l'échauffement ne se répète pas).

Secondes	Échauffement				Segments du programme									
	20 cal	20 cal	20 cal	20 cal	20 cal	20 cal	20 cal	20 cal	20 cal	20 cal	20 cal	20 cal	20 cal	20 cal
Segment	1	2	3	4	5	6	7	8	9	10	11	12	13	14
Niveau 1	1	1	1	1	1	1	1	1	1	1	1	1	1	1
Niveau 2	1	2	2	3	3	5	7	4	6	7	4	5	6	3
Niveau 3	2	2	3	3	4	6	8	5	7	8	5	6	7	4
Niveau 4	2	3	3	4	6	8	10	7	9	10	7	8	9	6
Niveau 5	3	4	4	4	8	10	12	9	11	12	9	10	11	8
Niveau 6	3	5	4	5	10	12	14	11	13	14	11	12	13	10
Niveau 7	4	5	5	5	11	13	15	12	14	15	12	13	14	11
Niveau 8	4	5	5	5	13	15	17	14	16	17	14	15	16	13
Niveau 9	4	5	5	5	15	17	19	16	18	19	16	17	18	15
Niveau 10	4	5	6	6	16	18	20	17	19	20	17	18	19	16



**FRÉQUENCE CARDIAQUE CIBLE :** Ce programme est conçu pour vous aider à améliorer votre santé cardiovasculaire globale. Vous réglez simplement votre fréquence cardiaque cible. Le programme surveille et ajuste ensuite le niveau d'intensité afin de maintenir votre fréquence cardiaque dans votre plage de fréquence cible pendant votre exercice, une méthode éprouvée pour maximiser vos objectifs de perte de poids et de conditionnement physique. Une sangle de poitrine doit être portée pendant toute la durée du programme. Voir ci-dessous pour calculer votre fréquence cardiaque cible.

### Calcul de votre fréquence cardiaque cible

La première étape pour connaître la bonne intensité pour votre entraînement est de trouver la fréquence cardiaque maximale de l'utilisateur (FC max. = 220 – âge de l'utilisateur). La méthode basée sur l'âge offre une prévision statistique moyenne de la FC maximale et est une bonne méthode pour la majorité des gens, particulièrement pour ceux nouvellement initiés à l'entraînement en fonction de la fréquence cardiaque.

La façon la plus précise et juste de déterminer la FC maximale d'un individu est de la faire tester en clinique par un cardiologue ou un physiologue de l'exercice qui lui fera passer un test à l'effort maximal. Si l'utilisateur a plus de 40 ans, présente un surpoids, a été sédentaire pendant plusieurs années ou a des antécédents de maladies cardiaques dans sa famille, il est recommandé d'effectuer un test clinique.

Ce tableau contient des exemples de la plage des fréquences cardiaques pour une personne de 30 ans qui fait de l'exercice selon 5 zones différentes de fréquence cardiaque. Par exemple, la FC maximale d'une personne de 30 ans est  $220 - 30 = 190$  bpm et 90 % de la FC maximale équivaut à  $190 \times 0,9 = 171$  bpm.

Zone de la fréquence cardiaque cible	Durée de la séance d'entraînement	Exemple de FCC (30 ans)	Votre FCC	Recommandé pour
<b>TRÈS DIFFICILE</b> 90-100 %	< 5 MIN	171 -190 BPM		Personnes en bonne forme physique pour un entraînement athlétique
<b>DIFFICILE</b> 80-90 %	2 – 10 MIN	152 -171 BPM		Séances d'entraînement plus courtes
<b>MODÉRÉ</b> 70-80 %	10 – 40 MIN	133 -152 BPM		Séances d'entraînement modérément longues
<b>LÉGER</b> 60-70 %	40 – 80 MIN	114 -133 BPM		Séances d'entraînement plus longues et avec des exercices de routine plus courts
<b>TRÈS LÉGER</b> 50-60 %	20 – 40 MIN	104 -114 BPM		Gestion du poids et récupération active



### **Autres remarques sur la fréquence cardiaque cible :**

- 1). La résistance du tapis de course incliné s'ajustera automatiquement pour vous rapprocher de votre fréquence cardiaque spécifiée.
- 2). Si aucune fréquence cardiaque n'est détectée, l'appareil ne changera pas d'inclinaison.
- 3). Si votre fréquence cardiaque est à 25 battements au-dessus de la zone cible, le programme s'arrêtera.

## **POUR RÉINITIALISER LA CONSOLE**

Maintenez la touche ARRÊT enfoncée pendant 3 secondes.

## **FIN D'UNE SÉANCE D'ENTRAÎNEMENT**

Une fois votre séance terminée, l'appareil émet un bip. Les informations concernant la séance d'entraînement restent affichées sur la console pendant 30 secondes avant d'être réinitialisées.

## **UTILISATION D'UN APPAREIL DE MUSIQUE**

Vous pourrez connecter le tapis de course incliné 7.2Ai à votre appareil de musique compatible et écouter votre musique. Cela comprend la plupart des téléphones intelligents et des lecteurs mp3 traditionnels tels que l'iPod<sup>MD</sup>.

Votre tapis de course incliné 7.2Ai est équipé de haut-parleurs Bluetooth. Les appareils compatibles Bluetooth (équipés de la technologie Bluetooth 4.0) vous permettent d'écouter votre musique sans fil par le biais des haut-parleurs. Vous pouvez également connecter votre appareil de musique à l'aide d'un câble audio. Vous trouverez plus d'instructions au sujet de ces deux types de connexions ci-dessous.

### **CONNEXION VIA LA TECHNOLOGIE BLUETOOTH 4.0LE**

- 1) Vérifiez que votre appareil de musique est compatible avec la technologie Bluetooth 4.0
- 2) Rendez-vous dans les paramètres Bluetooth de votre appareil et recherchez les appareils à proximité.
- 3) Sur votre appareil de musique, localisez la liste des appareils Bluetooth à proximité. Sur cette liste, sélectionnez votre tapis roulant ou votre exerciceur elliptique.  
Attendez que votre appareil de musique finisse de s'appairer avec la machine.
- 4) Une fois que votre appareil de musique affiche le tapis roulant ou l'exerciceur elliptique en tant qu'appareil appairé, cela signifie que la connexion est établie.

### **LORSQUE LA MACHINE EST ÉTEINTE PUIS RALLUMÉE**

Si vous éteignez votre tapis roulant ou exerciceur elliptique, ou que ce dernier se met en veille, il tentera de s'appairer avec le dernier appareil de musique avec lequel il a été appairé au prochain démarrage. Il s'appairera alors automatiquement avec cet appareil.

### **RÉ-APPARIEMENT AVEC UN APPAREIL DE MUSIQUE**

Si la machine ne détecte pas le dernier appareil de musique avec lequel il a été appairé (par exemple si l'appareil de musique est éteint ou n'est pas utilisé), la machine cessera de tenter de s'appairer avec ce dernier. Si cela se produit, et que vous souhaitez à nouveau utiliser votre appareil de musique, vous devrez le ré-appairer en suivant les instructions ci-dessus.



## UTILISATION DE PLUSIEURS APPAREILS DE MUSIQUE

Si plusieurs appareils sont appairés avec la machine (par exemple si plusieurs personnes utilisent le tapis roulant ou l'exerciseur elliptique et y connectent leur appareil de musique), la machine tentera de s'appairer avec le dernier appareil utilisé et « oubliera » les autres appareils. Si vous souhaitez appairer la machine avec un appareil de musique « oublié », vous devrez désappairer l'appareil de musique avec lequel elle est actuellement appairée et la ré-appairer avec votre appareil en suivant les instructions ci-dessus.

## CONNEXION À L'AIDE D'UN CÂBLE AUDIO

- 1) Branchez le CÂBLE D'ADAPTATEUR AUDIO inclus dans la PRISE D'ENTRÉE AUDIO sur la partie supérieure droite de la console et la prise pour écouteurs de votre appareil de musique.
- 2) Utilisez les boutons sur le lecteur CD ou MP3 pour ajuster les paramètres des chansons.
- 3) Débranchez le CÂBLE D'ADAPTATEUR AUDIO lorsqu'il n'est pas utilisé.
- 4) Si vous ne voulez pas utiliser les HAUT-PARLEURS, vous pouvez brancher vos écouteurs dans la PRISE DE SORTIE AUDIO au bas de la console. Ainsi, si vous débranchez accidentellement le fil des écouteurs en courant, votre appareil ne tombera pas au sol.

## SYSTÈME DE CONDITIONNEMENT PHYSIQUE AFG CONNECTÉ À UNE TABLETTE

Votre machine AFG est compatible avec les tablettes, ce qui vous permet d'utiliser la technologie Bluetooth 4.0 pour connecter sans fil votre tablette au tapis de course incliné AFG Pro. À l'aide de l'application AFG Fitness téléchargeable gratuitement, vous pourrez contrôler les fonctions de votre tapis de course incliné par l'intermédiaire de votre tablette. L'application vous permettra également de surveiller votre entraînement, de suivre vos progrès et d'afficher votre historique d'entraînement. L'application AFG Fitness peut être téléchargée sur la boutique iTunes pour les appareils iOS ou sur la boutique Google pour les appareils Android.

Pour plus d'informations concernant la connexion de votre tablette au tapis roulant AFG Pro, la configuration de l'application AFG Fitness et le suivi de votre entraînement à l'aide de votre tablette, veuillez consulter le manuel « AFG Connected Fitness Manual » (Manuel du conditionnement physique connecté AFG) inclus avec votre tapis de course incliné.

## SURVEILLANCE DE LA FRÉQUENCE CARDIAQUE PAR BLUETOOTH

Le tapis 7.2Ai est équipé d'une fonction Bluetooth multicanal qui permet de connecter sans fil les appareils de surveillance de la fréquence cardiaque Bluetooth compatibles à ce tapis de course incliné. Vous devez vous assurer que l'appareil de surveillance de la fréquence cardiaque sans fil est compatible avec la technologie Bluetooth 4.0 et est « ouvert » au partage de données. En règle générale, les appareils non « ouverts » ou « fermés » partagent uniquement leurs données avec leurs applications propriétaires. Le tapis 7.2Ai nécessite un appareil « ouvert » afin de pouvoir recevoir ses données. Vous devez peut-être consulter le manuel d'utilisateur de l'appareil ou le fabricant afin de vérifier que l'appareil est bien ouvert.

Si vous utilisez une tablette et l'exécution de l'application AFG Fitness, le dispositif de surveillance de la fréquence cardiaque compatible Bluetooth se mariera automatiquement à l'application. L'inclinaison formateur console recevra alors les informations de fréquence cardiaque à partir de votre tablette. Si vous souhaitez utiliser le dispositif de surveillance de la fréquence cardiaque Bluetooth sans tablette et application AFG Fitness, appuyez et maintenez le bouton Bluetooth sur la console pendant 5 secondes. Cela permettra à la console de communiquer directement avec le dispositif de surveillance de la fréquence cardiaque Bluetooth. Informations de fréquence cardiaque sera affiché sur l'écran de votre console. En mode moniteur de fréquence cardiaque, la console sera incapable de communiquer à la tablette. Pour permettre la communication de la tablette, appuyez et maintenez le bouton Bluetooth sur la console pendant 5 secondes ou réinitialiser l'alimentation.

# GARANTIE LIMITÉE D'USAGE RÉSIDENTIEL





### **CAPACITÉ DE POIDS = 147,4 kilogrammes (325 lb)**

#### **CADRE • À VIE**

AFG garantit le cadre contre les vices de fabrication ou de matériau pendant toute la durée de vie de l'acheteur, tant que le propriétaire initial possède l'appareil. (Le cadre désigne la base en métal soudé de l'appareil et ne comporte aucune pièce amovible.)

#### **FREIN • GARANTI À VIE**

AFG garantit le frein contre les vices de fabrication ou de matériau pendant toute la durée de vie de l'acheteur, tant que le propriétaire initial possède l'appareil. La main-d'œuvre ou l'installation du frein ne sont pas couvertes par la garantie du frein.

#### **ÉLÉMENTS ÉLECTRONIQUES ET PIÈCES • 3 ANS**

AFG garantit les composants électroniques, la finition et toutes les pièces d'origine pendant trois ans à compter de la date de l'achat initial, tant que le propriétaire initial possède l'appareil.

#### **MAIN-D'ŒUVRE • UN AN**

AFG prend à sa charge les frais de main-d'œuvre pour la réparation de l'appareil pendant un an à compter de la date de l'achat initial, tant que le propriétaire initial possède l'appareil.

### **PENTE MÉCANIQUE • 1 AN**

AFG garantit le mécanisme de la pente mécanique et les pièces contre les vices de fabrication ou de matériau pour une période d'un an à compter de la date de l'achat initial, tant que le propriétaire initial possède l'appareil.

## **EXCLUSIONS ET LIMITATIONS**

#### **Qui EST couvert :**

- Le propriétaire initial; la garantie n'est pas transférable.

#### **Ce qui EST couvert :**

- La réparation ou le remplacement d'un moteur, de composants électroniques ou de pièces défectueux, ce qui constitue l'unique recours au titre de la garantie.

#### **Ce qui n'est PAS couvert :**

- L'usure normale, l'assemblage ou l'entretien incorrect ou l'installation de pièces ou d'accessoires incompatibles ou non destinés à l'équipement tel qu'il a été vendu.
- Les dommages ou la défaillance dus à un accident, l'utilisation abusive, la corrosion, la décoloration de la peinture ou du plastique, la négligence, le vol, le vandalisme, l'incendie, l'inondation, le vent, la foudre, le gel ou d'autres catastrophes naturelles quelle qu'en soit la nature, une réduction, fluctuation ou défaillance d'alimentation de quelque origine que ce soit, des conditions atmosphériques inhabituelles, une collision, l'introduction d'objets étrangers dans l'unité couverte ou des modifications non autorisées ou non recommandées par AFG.

- Les dommages accessoires ou indirects. AFG n'est pas responsable des dommages indirects, particuliers ou accessoires, des pertes économiques, des pertes matérielles ou de profits, des privations de jouissance ou d'utilisation, ou d'autres dommages accessoires de quelque nature que ce soit concernant l'achat, l'utilisation, la réparation ou l'entretien de l'appareil. AFG ne consent aucune compensation financière ou autre pour de telles réparations ou le coût des pièces de rechange, y compris, mais sans s'y limiter, les frais d'abonnement à un centre de conditionnement physique, les pertes de temps de travail, les visites de diagnostic, les visites d'entretien ou les frais de transport.
- Les équipements utilisés à des fins commerciales ou à toutes autres fins que celles d'une famille unique ou d'un foyer, sauf acceptation de la couverture par AFG.
- Les équipements détenus ou utilisés hors des États-Unis et du Canada.
- La livraison, l'assemblage, l'installation, l'assemblage des unités d'origine ou de rechange ou la main-d'œuvre et les autres frais associés à l'enlèvement ou au remplacement de l'unité couverte.
- Toute personne qui tente de réparer cet équipement s'expose à un risque de blessure. AFG n'est pas responsable des dommages, pertes ou responsabilités découlant de toute blessure subie lors de ou du fait de toute réparation ou tentative de réparation de l'équipement de conditionnement physique par quiconque autre qu'un technicien en entretien et en réparation agréé. Toutes les tentatives de réparation de l'équipement de conditionnement physique par l'utilisateur sont effectuées À SES RISQUES ET PÉRILS et AFG décline toute responsabilité en matière de blessures ou de dommages quels qu'ils soient causés par de telles réparations.
- Si la garantie du fabricant est expirée, mais que vous avez acheté une garantie prolongée, consultez le contrat de la garantie prolongée pour les ressources relatives aux demandes d'entretien ou de réparation lorsque l'utilisateur détient une garantie prolongée.

## RÉPARATIONS / RETOURS

- Un service à domicile est assuré dans un rayon de 240 km par le prestataire de services agréé le plus proche (au-delà de cette distance, le kilométrage parcouru à partir d'un centre de services agréé est à la charge du client).
- Tout retour doit être préapprouvé.
- Les obligations du fabricant en vertu de cette garantie se limitent à la réparation ou au remplacement de l'équipement, à la discrétion du fabricant ou du technicien en entretien, par le même modèle ou par un modèle comparable.
- Le fabricant peut exiger que les composantes défectueuses soient retournées au fabricant une fois la garantie terminée, accompagnées d'une étiquette de retour prépayée. Si l'on vous demande de retourner des pièces et que nous n'avez pas reçu d'étiquette, veuillez communiquer avec le soutien technique à la clientèle.
- Les appareils de rechange, les pièces et les composants électroniques remis à neuf par le fabricant ou ses fournisseurs peuvent parfois être fournis comme pièces de rechange de la garantie et constituent une parfaite application des dispositions de la garantie.
- Cette garantie vous confère des droits juridiques spécifiques et vos droits peuvent varier d'une province à l'autre.



# ESPAÑOL

# PRECAUCIONES IMPORTANTES



## CONSERVE ESTAS INSTRUCCIONES

Cuando se usa un producto eléctrico, siempre se deben tomar precauciones básicas, incluidas las siguientes: Lea todas las instrucciones antes de usar esta caminadora con función de inclinación. Es responsabilidad del propietario asegurarse de que todos los usuarios de esta caminadora con función de inclinación estén informados adecuadamente sobre todas las advertencias y precauciones. Si tiene preguntas después de leer este manual, comuníquese con el Servicio de Asistencia Técnica para Clientes al número indicado en la contratapa.

Esta caminadora con función de inclinación está destinada únicamente para uso doméstico. No utilice esta caminadora con función de inclinación en ningún entorno comercial, de alquiler, escolar o institucional. El incumplimiento de ese requisito invalidará la garantía.



## PELIGRO

### **PARA REDUCIR EL RIESGO DE DESCARGA ELÉCTRICA:**

Desconecte siempre la máquina elíptica del tomacorriente inmediatamente después de su uso, antes de limpiarla, al realizar trabajos de mantenimiento y al añadirle o quitarle piezas.

## ADVERTENCIA

### **PARA REDUCIR EL RIESGO DE QUEMADURAS, INCENDIOS, DESCARGA ELÉCTRICA O LESIONES:**

- Si experimenta algún tipo de malestar, como dolores de pecho, náuseas, mareos o dificultad para respirar, interrumpa el ejercicio de inmediato y consulte a su médico antes de continuar.
- Al hacer ejercicio, mantenga siempre un ritmo que le resulte cómodo. No se ejercite a más de 80 RPM en esta máquina.
- Para mantener el equilibrio, se recomienda mantenerse sujetado de los bastones cuando se ejercita, se sube o se baja de la máquina.
- No gire los brazos de los pedales a mano.
- Asegúrese de que las barras de sujeción estén firmes antes de cada uso.
- Mantenga la superficie de apoyo del pie limpia y seca.
- Se debe tener cuidado al subir o bajar del equipo. Antes de subirse o bajarse de la máquina, mueva el pedal del lado en que ascienda o descienda a su posición más baja y detenga la máquina por completo.
- No use ropa que pudiera quedar atrapada en alguna parte de la caminadora con función de inclinación.
- Siempre use zapatos deportivos cuando utilice este equipo.
- No salte sobre la caminadora con función de inclinación.
- En ningún momento debe haber más de una persona sobre la caminadora con función de inclinación mientras esté en funcionamiento.
- Las personas que pesen más de lo especificado en la SECCIÓN DE GARANTÍA DEL MANUAL DEL PROPIETARIO no deben utilizar la caminadora con función de inclinación. El incumplimiento de ese requisito invalidará la garantía.
- Esta caminadora con función de inclinación está destinada únicamente para uso doméstico. No utilice esta caminadora con función de inclinación en ningún entorno comercial, de alquiler, escolar o institucional. El incumplimiento de ese requisito invalidará la garantía.
- No utilice la caminadora con función de inclinación en lugares donde no haya control de temperatura, como cocheras, pórticos, zonas de albercas cubiertas, baños, cobertizos o en exteriores, entre otros. El incumplimiento de ese requisito invalidará la garantía.
- Para evitar descargas eléctricas, nunca deje caer ni introduzca ningún tipo de objetos en ninguna abertura.
- Solo conecte este producto para ejercicios a tomacorrientes debidamente conectados a tierra.

# ADVERTENCIA

## PARA REDUCIR EL RIESGO DE QUEMADURAS, INCENDIOS, DESCARGA ELÉCTRICA O LESIONES:

- Mantenga el cable de alimentación alejado de superficies calientes. No mueva la unidad tirando del cable de suministro eléctrico ni utilice el cable como agarradera.
- No utilice accesorios que no recomiende el fabricante. Los accesorios pueden provocar lesiones.
- No ponga el equipo en funcionamiento donde se utilicen productos en aerosol o cuando se administre oxígeno.
- Utilice la caminadora con función de inclinación únicamente como se describe en el manual del propietario.
- Desconecte la alimentación eléctrica antes de mover el equipo o realizarle un servicio técnico. Para limpiarla, repase las superficies únicamente con jabón y un paño un poco húmedo; nunca use solventes. (Consulte MANTENIMIENTO)
- La caminadora con función de inclinación nunca debe quedar desatendida cuando esté conectada. Desconecte la unidad del tomacorriente cuando no la utilice y antes de añadirle o quitarle piezas.
- Nunca la ponga a funcionar bajo un cobertor o cojín. Puede generar calor excesivo y provocar un incendio, descargas eléctricas o lesiones.
- Las mascotas o los niños menores de 13 años no deben acercarse en NINGÚN momento a una distancia menor de 10 pies (3,05 metros) de la caminadora con función de inclinación.
- Los niños menores de 13 años NUNCA deben utilizar la caminadora con función de inclinación.
- Los niños mayores de 13 años o las personas minusválidas no deben utilizar la caminadora con función de inclinación sin la supervisión de un adulto.
- Nunca ponga en funcionamiento la caminadora con función de inclinación si tiene un cable o enchufe dañados, si no está funcionando bien, si se ha caído, dañado o sumergido en agua. Lleve la caminadora con función de inclinación a un centro de servicio para que la examinen y reparen.
- Para desconectarla, coloque todos los controles en la posición "Off" (apagado); después, saque el enchufe del tomacorriente.
- No quite las cubiertas de la consola, a menos que así lo indique el Servicio de Asistencia Técnica para Clientes. Solo un técnico de servicio autorizado debe realizar el servicio técnico.

Es esencial que la caminadora con función de inclinación se utilice únicamente en interiores, en una habitación con temperatura controlada. Si la caminadora con función de inclinación se ha expuesto a temperaturas más frías o a climas de mucha humedad, se recomienda templarla a temperatura ambiente antes del primer uso. De lo contrario, podría generarse una falla electrónica prematura.

# ADVERTENCIA

Este producto contiene sustancias químicas que el estado de California reconoce como causantes de cáncer y defectos congénitos u otros daños reproductivos.





## INSTRUCCIONES DE CONEXIÓN A TIERRA

Si su caminadora con función de inclinación tiene una inclinación electrónica con un enchufe de 3 clavijas, debe seguir las siguientes instrucciones para la conexión a tierra.

Este producto debe conectarse a tierra. En el caso de que una máquina elíptica se averíe o funcione incorrectamente, la conexión a tierra proporciona un camino de menor resistencia para la corriente eléctrica a fin de reducir el riesgo de descarga eléctrica. Este producto está equipado con un cable que tiene un conductor de conexión a tierra del equipo y un enchufe de conexión a tierra. El enchufe debe conectarse a un tomacorriente adecuado que esté debidamente instalado y conectado a tierra de acuerdo con los códigos y las ordenanzas locales.

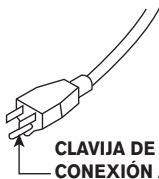
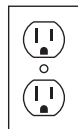
## PELIGRO

Una mala conexión del conductor de conexión a tierra del equipo puede generar riesgo de descarga eléctrica. Consulte a un electricista calificado si tiene dudas en cuanto a si la conexión a tierra del producto es apropiada. No modifique el enchufe suministrado con el producto. Si no entra en el tomacorriente, pídale a un electricista cualificado que instale uno apropiado.

Este producto deberá utilizarse en un circuito de 110-120 voltios nominales y tiene un enchufe de conexión a tierra como el de la ilustración. Asegúrese de que el producto esté conectado a un tomacorriente que tenga la misma configuración que el enchufe. No debe usarse ningún adaptador con este producto.

Este producto se debe utilizar con un circuito dedicado. Para determinar si está en un circuito dedicado, desconecte la alimentación a ese circuito y observe si algún otro dispositivo pierde energía. Si así fuera, mueva los dispositivos a un circuito diferente. Nota: Generalmente, existen múltiples tomacorrientes en un circuito. Esta máquina elíptica debe ser utilizada con un circuito de 20 amperios como mínimo.

**TOMACORRIENTE  
CON DESCARGA  
A TIERRA DE  
3 POLOS**



**CLAVIJA DE  
CONEXIÓN A TIERRA**

## ADVERTENCIA

Solo conecte este producto para ejercicios a tomacorrientes debidamente conectados a tierra.

Nunca ponga en funcionamiento el producto con un cable o enchufe dañado, incluso si funciona correctamente. Nunca ponga en funcionamiento ningún producto si parece dañado o ha sido sumergido en agua. Para sustituciones o reparaciones, comuníquese con el Servicio de Asistencia Técnica para Clientes.



# MONTAJE

## ⚠ ADVERTENCIA

Durante el proceso de montaje de la caminadora, hay varias áreas a las que se debe prestar atención especial. Es muy importante seguir las instrucciones de montaje correctamente y asegurarse de que todas las piezas estén ajustadas con firmeza. Si no se siguen correctamente las instrucciones de montaje, algunas piezas de la caminadora con función de inclinación podrían quedar sueltas y causar ruidos molestos. Para evitar daños a la máquina elíptica, se deben repasar las instrucciones de montaje y tomar medidas correctivas.

Antes de seguir adelante, busque el número de serie de la caminadora con función de inclinación, que se encuentra ubicado en una etiqueta adhesiva blanca con código de barras en el tubo estabilizador frontal, e ingréselo en el espacio provisto abajo.

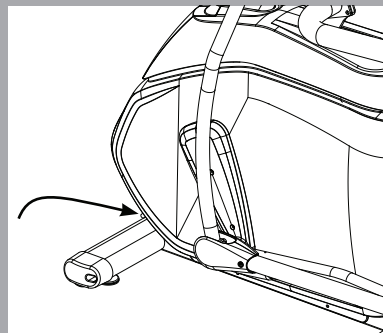
INGRESE SU NÚMERO DE SERIE EN EL SIGUIENTE RECUADRO:

NÚMERO DE SERIE:

EP

NOMBRE DEL MODELO: **CAMINADORA CON FUNCIÓN DE INCLINACIÓN AFG PRO 7.2AI**

## UBICACIÓN DEL NÚMERO DE SERIE



» Cuando llame para solicitar servicio técnico, haga referencia al NÚMERO DE SERIE y al NOMBRE DE MODELO.



CONSOLA

BARRA DE SUJECIÓN SUPERIOR

ALTAVOCES

EMPUÑADURAS CON SENSOR DE PULSO

**⚠ WARNING**  
 CONSULT A PHYSICIAN PRIOR TO USING ANY EXERCISE EQUIPMENT. POSSIBILITY OF SERIOUS INJURY IF EQUIPMENT IS USED IMPROPERLY. READ INSTRUCTION MANUAL BEFORE USING. KEEP CHILDREN OFF AND AWAY FROM THIS EQUIPMENT. FOR CONSUMER USE ONLY.

**⚠ AVERTISSEMENT**  
 CONSULTER UN MÉDECIN AVANT D'UTILISER TOUT ÉQUIPEMENT D'EXERCICE. TOUTE UTILISATION IMPROPRETE PEUT OCCASIONNER DE GRAVES LÉSIONS. LIRE LE MANUEL D'INSTRUCTIONS AVANT DE SE SERVIR DE L'APPAREIL. TENIR LES ENFANTS À DISTANCE DE L'APPAREIL. À L'USAGE DU CLIENT SEULEMENT.

**⚠ ADVERTENCIA**  
 CONSULTE A UN MÉDICO ANTES DE USAR CUALQUIER EQUIPO DE ACERCIONAMIENTO FÍSICO. ANTES LA POSIBILIDAD DE SUFRIR LESIONES GRAVES SI EL EQUIPO SE USA INDEBIDAMENTE. LEER EL MANUAL DEL PROPIETARIO ANTES DE USAR EL EQUIPO. NO DEJE QUE LOS NIÑOS SE ACERCEN A ESTE EQUIPO. ESTE EQUIPO ES SÓLO PARA EL USO DEL CONSUMIDOR.

BARRA DE SUJECIÓN INFERIOR

CABLE DE ALIMENTACIÓN PERNO

TUBO ESTABILIZADOR

BRAZO CONECTOR

<b>CAUTION</b> KEEP HANDS AND FEET AWAY FROM THIS AREA.	<b>ATTENTION</b> GARDER LES MAINS ET LES PIEDS LOIN DE CETTE RÉGION.	<b>PRECAUCIÓN</b> MANTENGA LAS MANOS Y LOS PIES LEJOS DE ESTA ÁREA.
--	---	--

RIEL DE LA BASE

SOPORTE PARA LECTURA/TABLETA

PUERTO USB

CONTROLES Y VENTANAS DE VISUALIZACIÓN

SOPORTE PARA BOTELLA DE AGUA

POSTE DE LA CONSOLA

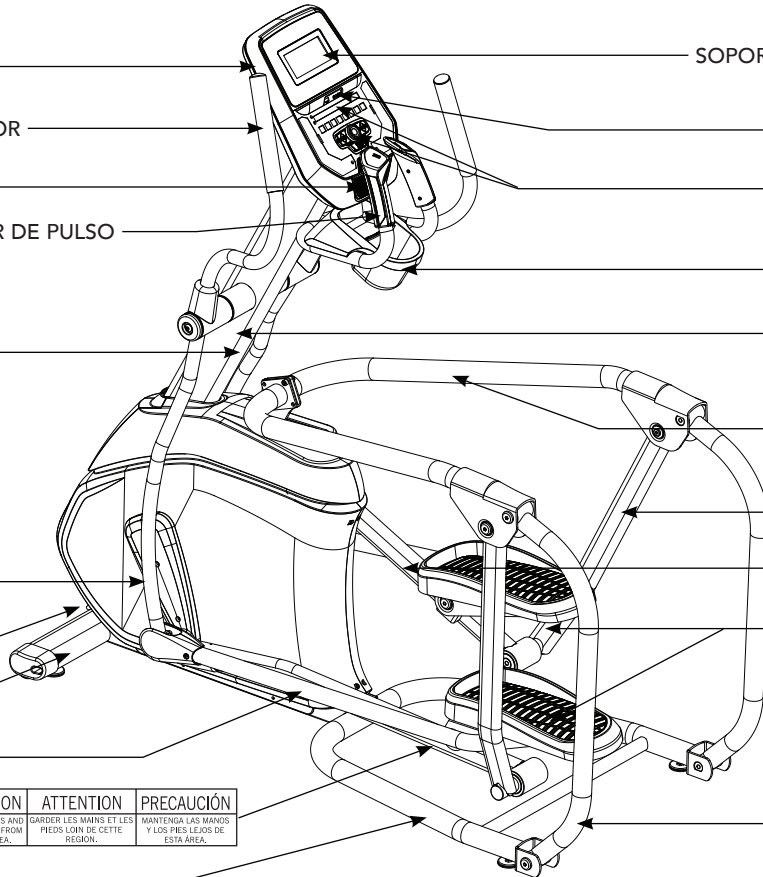
BARANDILLA SUPERIOR

BRAZO OSCILANTE

BRAZO DEL PEDAL

BASES DE APOYO

ESTABILIZADOR TRASERO



## HERRAMIENTAS INCLUIDAS:

- Llave en L de 5 mm
- Llave en L de 6 mm
- Llave en L de 8 mm
- Llave plana de 13/17 mm

## PIEZAS INCLUIDAS:

- 1 consola
- 1 poste de la consola
- 1 soporte para botellas
- 1 bastidor principal
- 1 cable adaptador de audio
- 2 capuchones de barra de sujeción
- 2 barras de sujeción superiores
- 2 barras de sujeción inferiores
- 2 brazos oscilantes
- 2 brazos conectores
- 2 brazos de pedales
- 2 estabilizadores traseros
- 2 barandillas superiores
- 1 cable de alimentación
- 2 cubiertas de la junta

## MONTAJE PREVIO

---

### DESEMPAQUE

Extraiga el producto del paquete en el lugar donde lo utilizará. Coloque la caja de la caminadora con función de inclinación sobre una superficie plana y nivelada. Se recomienda que coloque una cubierta protectora sobre el piso. No abra la caja si está de costado.

NOTA: Durante cada paso del montaje asegúrese de que TODAS las tuercas y los pernos estén en su lugar y enroscados parcialmente antes de apretar por completo CUALQUIERA de ellos.

NOTA: Una ligera capa de grasa podría facilitar la instalación de la tornillería. Se recomienda cualquier tipo de grasa, como la grasa de litio para bicicletas.



### ¿NECESITA AYUDA?

Si tiene preguntas o faltan piezas, comuníquese con el Servicio de Asistencia Técnica para Clientes.

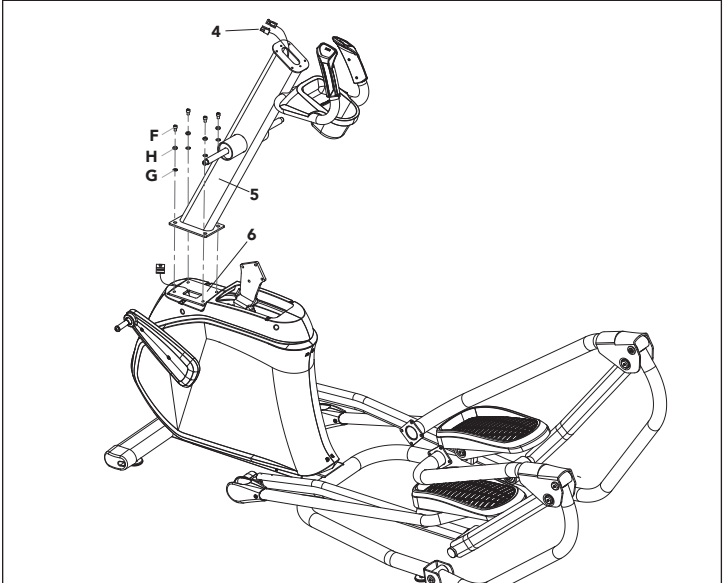
La información de contacto se encuentra en la contratapa de este manual.





# PASO 1 DE MONTAJE

TORNILLERÍA PARA EL PASO 1 • PREINSTALADA			
PIEZA	TIPO	DESCRIPCIÓN	CANT.
F	PERNO	M10X1,5PX20L	4
G	ARANDELA PLANA	10,5X18X2,0T	4
H	ARANDELA ELÁSTICA	10,2X18,4X2,5L	4



### NOTA:

Toda la tornillería para este paso está instalada previamente. Para evitar arañazos durante el montaje no retire el plástico de los tubos hasta el PASO 4. También recomendamos cubrir el riel de la base con una lámina de plástico extra del embalaje.

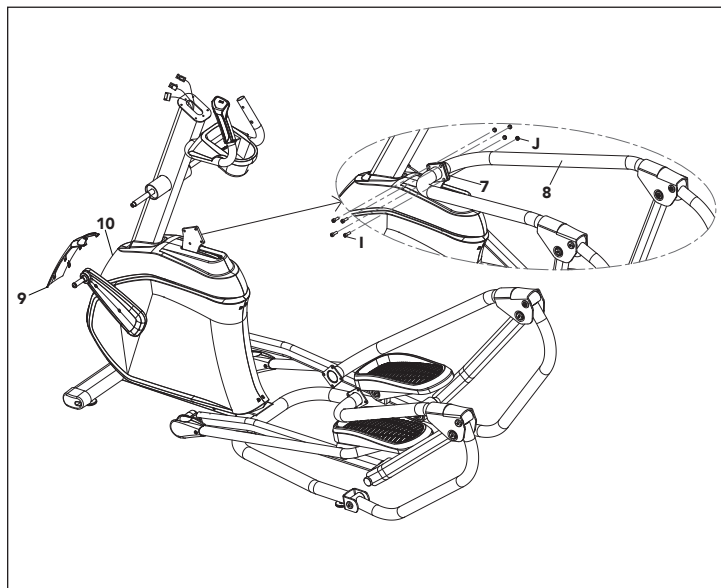
- A Jale con cuidado el **CABLE DE LA CONSOLA (4)** a través del **POSTE DE LA CONSOLA (5)** usando el lazo de torcedura ubicado dentro del **POSTE DE LA CONSOLA (5)**.
- B Una el **POSTE DE LA CONSOLA (5)** al **BASTIDOR DE BASE (6)** con los **4 PERNOS (F)**, **LAS 4 ARANDELAS ELÁSTICAS (H)** y **4 arandelas PLANAS (G)** **MONTADOS PREVIAMENTE**

**NOTA:** Tenga cuidado de no pellizcar ningún cable mientras conecta el poste de la consola o la consola misma.

## PASO 2 DE MONTAJE

### TORNILLERÍA PARA EL PASO 2 • PREINSTALADA

PIEZA	TIPO	DESCRIPCIÓN	CANT.
I	PERNO	M8X1,25PX25L-15L	4
J	TUERCA	M8X1,25P	4



### NOTA:

Toda la tornillería para este paso está instalada previamente.

### NOTA:

Esto se debe montar antes que la barandilla superior.

- A Una **LA PIEZA DEL CAPUCHÓN SUPERIOR DELANTERO (10)** a las cubiertas laterales.
- B Fije cada **BARANDILLA SUPERIOR (8)** al **BRAZO DE INCLINACIÓN (7)** con los **4 PERNOS (I)** y las **4 TUERCAS (J)**. Para facilitar el montaje, apriete ligeramente los cuatro pernos primero y, a continuación, apriételos con firmeza.
- C Trabe la **PIEZA DEL CAPUCHÓN SUPERIOR TRASERO (9)** dentro de la **PIEZA DEL CAPUCHÓN SUPERIOR DELANTERO (10)**.





## PASO 3 DE MONTAJE

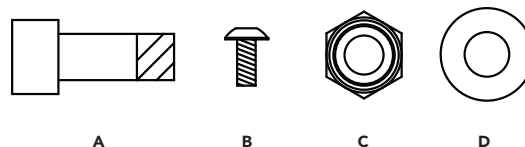
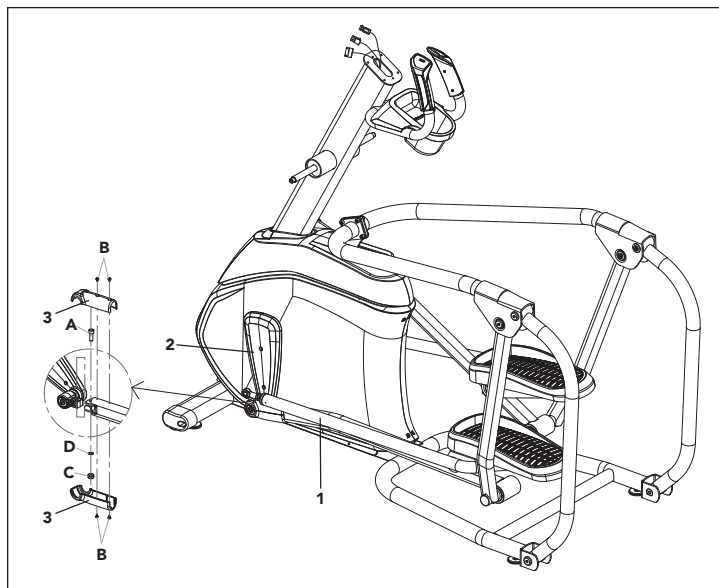
### TORNILLERÍA PARA EL PASO 3

PIEZA	TIPO	DESCRIPCIÓN	CANT.
A	PERNO	M10X1,5PX45L-16L	1
B	PERNO	M4X0,7PX8L	4
C	TUERCA DE NAILON	M10X1,5P	1
D	ARANDELA PLANA	10,2X20,0X1,0L	1

A Abra la **BOLSA DE LA TORNILLERÍA PARA EL PASO 3**.

B Una el **BRAZO CONECTOR IZQUIERDO (1)** al **BRAZO IZQUIERDO DEL CIGÜEÑAL (2)** con **1 PERNO (A)**, **1 ARANDELA (D)** y **1 TUERCA DE NAILON (C)**

C Coloque las **CUBIERTAS DE LAS JUNTAS (3)** encima de la **JUNTA DEL BRAZO CONECTOR IZQUIERDO** con **4 PERNOS (B)**.



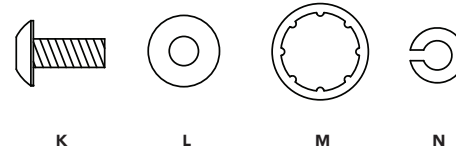
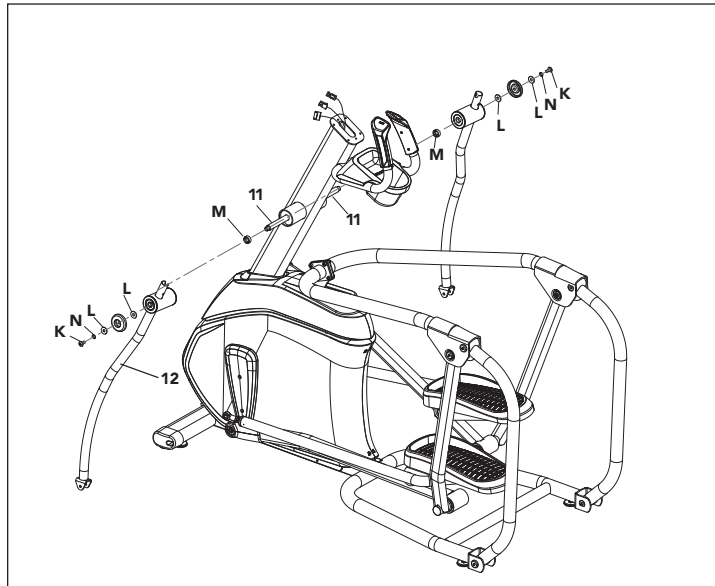
## PASO 4 DE MONTAJE

### TORNILLERÍA PARA EL PASO 4

PIEZA	TIPO	DESCRIPCIÓN	CANT.
K	PERNO	M8X1,25PX20L	2
L	ARANDELA PLANA	8,6X26,0X2,0	4
M	ARANDELA DE PLÁSTICO	20X27X9,5T	2
N	ARANDELA ELÁSTICA	8,2X15,4X2,0T	2



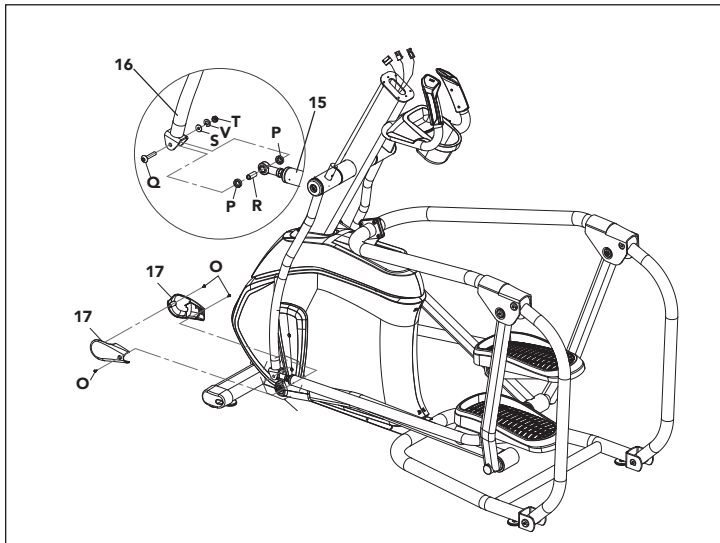
- A Abra la **BOLSA DE LA TORNILLERÍA PARA EL PASO 4**.
- B Deslice **1 ARANDELA DE PLÁSTICO (M)** sobre el **EJE DE LA BARRA DE SUJECIÓN IZQUIERDA (11)**.
- C Deslice la **BARRA DE SUJECIÓN INFERIOR IZQUIERDA (12)** sobre el **EJE DE LA BARRA DE SUJECIÓN (11)**. Asegúrese de que la **BARRA DE SUJECIÓN INFERIOR IZQUIERDA (12)** se posicione tal como se muestra en el diagrama.
- D Fije el **CONJUNTO DE LA BARRA DE SUJECIÓN** con **1 ARANDELA PLANA (L)**, **1 CAPUCHÓN DE LA BARRA DE SUJECIÓN**, **1 ARANDELA PLANA (L)**, **1 ARANDELA ELÁSTICA (N)** y **1 PERNO (K)**.
- E Repita los pasos **B a E** del otro lado.



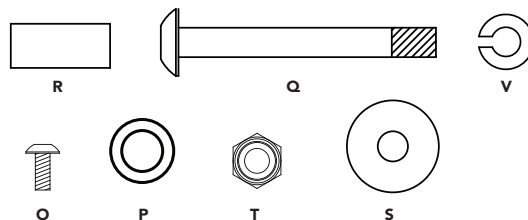


## PASO 5 DE MONTAJE

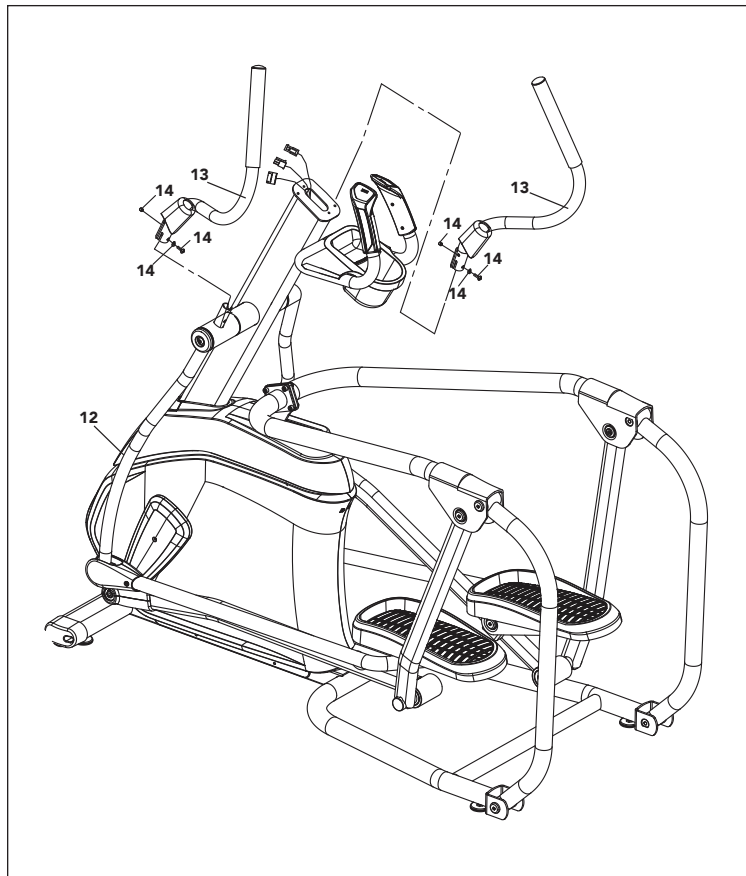
TORNILLERÍA PARA EL PASO 5			
PIEZA	TIPO	DESCRIPCIÓN	CANT.
O	PERNO	M4X0,7PX8L	6
P	SEPARADOR	12X20,0X6T	4
Q	PERNO	M8X1,25PX45L	2
R	EJE	12X27	2
S	ARANDELA PLANA	8,2X25,0X1,5T	2
T	TUERCA	M8X1,25P	2
V	ARANDELA ELÁSTICA	8,2X15,4X2,0T	2



- A Abra la **BOLSA DE LA TORNILLERÍA PARA EL PASO 5**.
- B Deslice el **EJE (R)** en el extremo del **BRAZO CONECTOR (15)**.
- C Coloque el **SEPARADOR (P)** a ambos lados del **BRAZO CONECTOR (15)**. Conecte el extremo del **BRAZO CONECTOR (15)** con ménsula en la parte inferior de la **BARRA DE SUJECCIÓN INFERIOR (16)**. Mientras sujeta los **SEPARADORES** deslice el **BRAZO CONECTOR (15)** en el extremo inferior de la **BARRA DE SUJECCIÓN INFERIOR (16)**.
- D Fije la junta utilizando **1 PERNO (Q)**, **1 ARANDELA PLANA (S)**, **1 ARANDELA ELÁSTICA (N)** y **1 TUERCA (T)**.
- E Repita los pasos **B a D** del otro lado.
- F Coloque las **CUBIERTAS DE LAS JUNTAS (17)** en la junta entre el **BRAZO CONECTOR (15)** y la **BARRA DE SUJECCIÓN INFERIOR (16)** con **3 PERNOS (O)**



## PASO 6 DE MONTAJE



### NOTA:

Toda la tornillería para este paso está instalada previamente.

- A Deslice la **BARRA DE SUJECIÓN SUPERIOR IZQUIERDA (13)** sobre la **BARRA DE SUJECIÓN INFERIOR IZQUIERDA (12)**. Mediante el uso de **1 PERNO, 1 ARANDELA y 1 TORNILLO DE FIJACIÓN (14)** conecte las **BARRAS DE SUJECIÓN SUPERIOR Y INFERIOR** tal como se muestra en el diagrama. No apriete el tornillo de fijación hasta que se instale el perno.
- B Repita el paso **A** del otro lado.



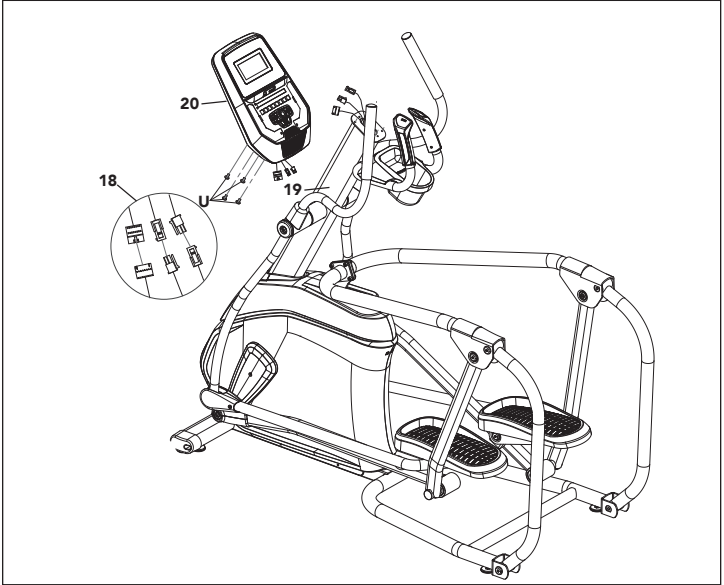


# PASO 7 DE MONTAJE

TORNILLERÍA PARA EL PASO 7 • PREINSTALADA			
PIEZA	TIPO	DESCRIPCIÓN	CANT.
U	PERNOS	M5X12L	4

- A Conecte los **CABLES DE CONSOLA (18)**.
- B Coloque con cuidado los **CABLES DE LA CONSOLA (18)** en el **POSTE DE LA CONSOLA (19)** antes de conectar la **CONSOLA (20)**. Sujete la **CONSOLA (20)** al **POSTE DE LA CONSOLA (19)** con **4 PERNOS INSTALADOS PREVIAMENTE (U)**.

**FELICITACIONES.  
¡MONTAJE COMPLETO!**



# FUNCIONAMIENTO DE LA MÁQUINA ELÍPTICA



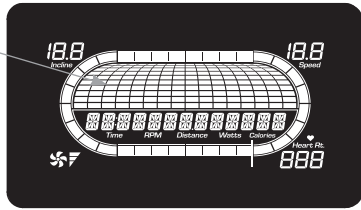
Esta sección explica cómo utilizar la consola y la programación de la máquina elíptica.

La sección **FUNCIONAMIENTO BÁSICO** en la **GUÍA DE LA MÁQUINA ELÍPTICA** tiene instrucciones para lo siguiente:

- **UBICACIÓN DE LA MÁQUINA ELÍPTICA**
- **INSTRUCCIONES DE ALIMENTACIÓN Y DE CONEXIÓN A TIERRA**
- **POSICIÓN DE LOS PIES**
- **CÓMO MOVER LA MÁQUINA ELÍPTICA**
- **CÓMO NIVELAR LA MÁQUINA ELÍPTICA**
- **FUNCIONAMIENTO DE LA INCLINACIÓN ELECTRÓNICA/MANUAL**
- **USO DE LA FUNCIÓN DE FRECUENCIA CARDÍACA**



A



P

B

C

D

F

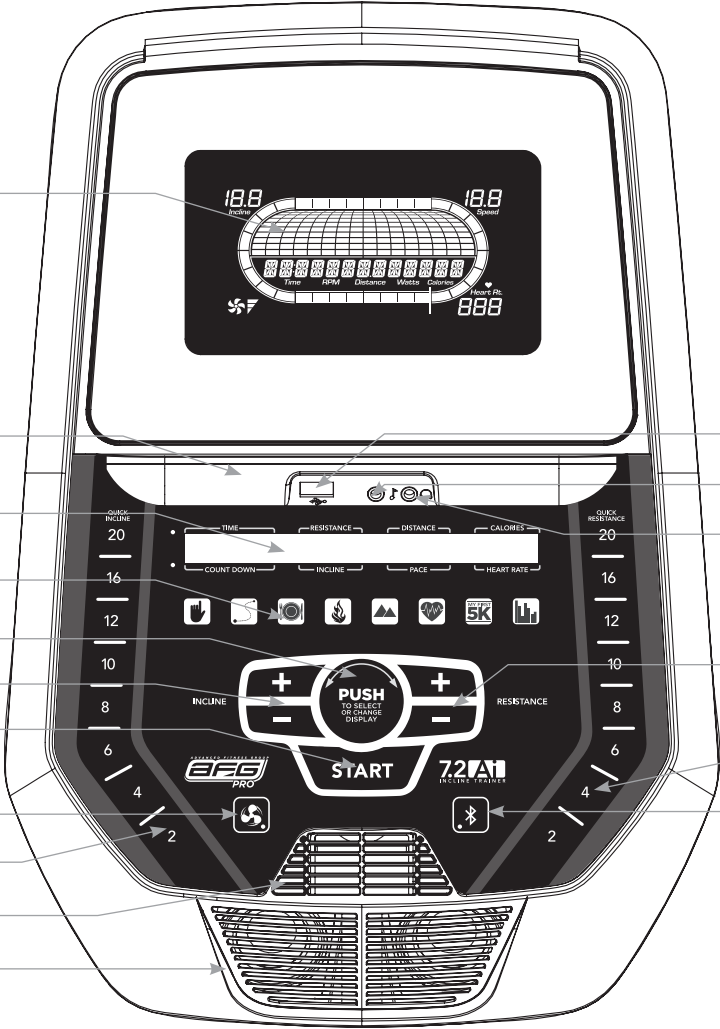
E

J

H

K

L



O

M

N

G

I

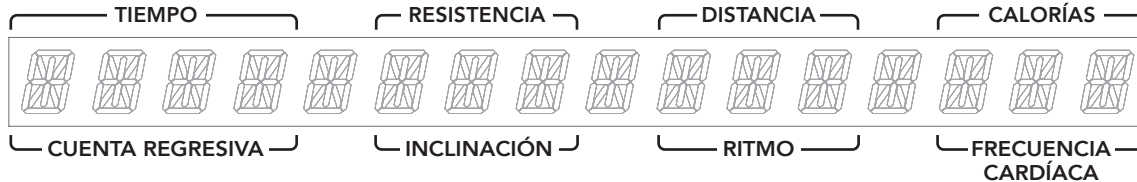
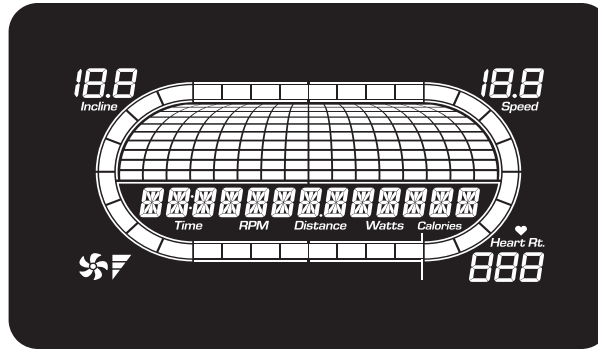
Q



## FUNCIONAMIENTO DE LA CONSOLA

Nota: Hay una lámina protectora delgada de plástico transparente en el revestimiento de la consola que debe quitarse antes de usarla.

- A) **VENTANAS DE VISUALIZACIÓN LCD:** Incline (Inclinación), Speed (Velocidad), RPM, Watts (Vatios), Calories (Calorías).
- B) **INDICADORES LED:** Time (Tiempo), Resistance (Resistencia), Distance (Distancia), Calories (Calorías), Count Down (Cuenta regresiva), Incline (Inclinación), Pace (Ritmo), Heart Rate (Frecuencia cardíaca).
- C) **INDICADORES LED DE RUTINA:** indican qué rutina está establecida para el programa actual.
- D) **SELECCIONAR OBJETIVO/PERILLA DE RUTINA:** gire/presione para seleccionar su rutina/objetivo deseado.
- E) **START (INICIO):** oprima para comenzar a hacer ejercicio, para comenzar una sesión específica de ejercicio o para reiniciar el ejercicio después de una pausa.
- F) **TECLAS +/- INCLINACIÓN:** se utilizan para ajustar la inclinación en pequeños incrementos.
- G) **TECLAS +/- RESISTENCIA:** se utilizan para ajustar la resistencia en pequeños incrementos.
- H) **TECLAS RÁPIDAS DE INCLINACIÓN:** se utilizan para alcanzar el nivel de inclinación deseado con mayor rapidez.
- I) **TECLAS RÁPIDAS DE RESISTENCIA:** se utilizan para alcanzar el nivel de resistencia deseado con mayor rapidez.
- J) **TECLA DE VENTILADOR:** oprímala para encender o apagar el ventilador.
- K) **FAN (VENTILADOR):** ventilador personal para la sesión de ejercicio.
- L) **ALTAVOCES:** la música se reproduce a través de los altavoces cuando su reproductor de CD/MP3 está conectado a la consola.
- M) **TOMA DE ENTRADA DE AUDIO:** conecte su reproductor de CD/MP3 a la consola utilizando el cable adaptador de audio incluido.
- N) **ENCHUFE DE SALIDA DE AUDIO/AURICULAR:** conecte los auriculares en esta toma para escuchar música con ellos.  
Nota: Cuando los auriculares están conectados a la toma de auriculares, el sonido ya no se escucha a través de los altavoces.
- O) **PUERTO USB:** corriente de puerto **USB 1A/5V**.
- P) **SOPORTE PARA TABLETA/LECTURA:** sostiene la tableta o el material de lectura.
- Q) **LUZ INDICADORA DE BLUETOOTH:** se muestra cuando la máquina está emparejada con un dispositivo compatible con Bluetooth.



## VENTANAS DE VISUALIZACIÓN

- **TIME (TIEMPO):** aparece como minutos:segundos. Indica el tiempo restante o el que ha pasado en su sesión de ejercicio.
- **DISTANCE (DISTANCIA):** aparece en millas. Indica la distancia recorrida.
- **SPEED (VELOCIDAD):** aparece en MPH. Indica a qué velocidad se mueven los pedales.
- **INCLINE (INCLINACIÓN):** indica el nivel de inclinación de la rampa de potencia.
- **CALORIES (CALORÍAS):** total de calorías quemadas.
- **HEART RATE (FRECUENCIA CARDÍACA):** aparece como latidos por minuto (BPM, por sus siglas en inglés). Se utiliza para monitorear la frecuencia cardíaca (se muestra cuando se sujetan ambas empuñaduras con sensor de pulso).
- **RESISTANCE (RESISTENCIA):** muestra el nivel de resistencia actual.
- **PACE (RITMO):** indica cuántos minutos toma completar una milla a la velocidad actual.
- **RPM:** revoluciones por minuto.
- **WATTS (VATIOS):** muestra la producción de energía del usuario actual.

## PARA EMPEZAR

- 1) Verifique que no haya ningún objeto ubicado en la banda que dificulte el movimiento de la caminadora con función de inclinación.
- 2) Enchufe el cable de corriente y ENCIENDA la caminadora con función de inclinación. (El interruptor de ENCENDIDO/APAGADO está al lado del cable de corriente).
- 3) Tiene dos opciones para comenzar su sesión de ejercicios:

### **A) INICIO RÁPIDO**

Simplemente oprima la tecla de inicio START para comenzar a hacer ejercicio.  
El tiempo, la distancia y las calorías comenzarán de cero. O...

### **B) SELECCIONE UN EJERCICIO U OBJETIVO**

- 1) Seleccione su **USUARIO** al girar la perilla de ejercicio y luego presionarla cuando se muestre el **USUARIO** deseado.
- 2) Seleccione su **PESO** al girar la perilla de ejercicio y luego presionarla cuando se muestre el **PESO** deseado.
- 3) Seleccione su **PROGRAMA** al girar la perilla de ejercicio y luego presionar cuando se muestre el **PROGRAMA** deseado.
- 4) Ajuste la **CONFIGURACIÓN** al girar la perilla de ejercicio y luego presionar cuando se muestre la **CONFIGURACIÓN** deseada.
- 5) Presione **START** (INICIO) para comenzar.





## WORKOUT PROFILES (PERFILES DE SESIÓN DE EJERCICIOS)

- 1) MANUAL:** Controla todo lo relacionado con su sesión de ejercicios, de principio a fin. Este programa es una sesión de ejercicios básica, sin ajustes predefinidos, lo que le permite ajustar manualmente la máquina en cualquier momento. Comienza con una resistencia en 1.
- 2) HILL CLIMB (SUBIDA DE COLINA):** Simula el ascenso y descenso de una colina. Este programa ayuda a tonificar los músculos y mejorar la capacidad cardiovascular. La inclinación y la resistencia cambian; y los segmentos se repiten cada 60 segundos.

La inclinación y la resistencia cambian cada 60 segundos

Segundos		Calentamiento				Segmentos del programa: repetición					
Nivel	Segmento	60	60	60	60	60	60	60	60	60	60
1	Ins.	0	2	2	4	4	4	6	6	6	6
	Res.	1	2	2	3	2	3	4	5	4	3
2	Ins.	0	2	2	4	6	6	6	6	8	8
	Res.	1	2	2	3	4	5	6	7	6	5
3	Ins.	0	2	2	6	6	6	8	8	10	10
	Res.	1	2	2	4	6	7	8	9	8	7
4	Ins.	0	2	2	6	8	8	10	10	10	10
	Res.	1	2	2	5	8	9	10	11	10	9
5	Ins.	2	4	6	8	10	10	10	10	12	12
	Res.	2	3	5	6	10	11	12	13	12	11
6	Ins.	2	4	6	10	10	10	12	12	14	14
	Res.	2	3	5	7	12	13	14	15	14	13
7	Ins.	2	4	6	10	12	12	14	14	16	16
	Res.	2	3	5	8	14	15	16	17	16	15
8	Ins.	2	4	6	12	14	14	16	16	16	16
	Res.	2	3	5	9	15	16	17	18	17	16
9	Ins.	4	6	6	14	16	16	16	16	18	18
	Res.	3	4	5	10	16	17	18	19	18	17
10	Ins.	4	6	10	16	16	16	18	18	18	18
	Res.	3	4	8	11	17	18	19	20	19	18





- 4) **FAT BURN (QUEMAR GRASAS):** El ejercicio es relativamente lento y constante a fin de maximizar sus metas de pérdida de peso. Promueve la pérdida de peso aumentando y disminuyendo la resistencia, mientras lo mantiene dentro de su zona óptima para quemar grasa. La resistencia cambia y los segmentos se repiten cada 60 segundos.

La resistencia cambia cada 60 segundos

Segundos	Calentamiento				Segmentos del programa: repetición											
	60	60	60	60	60	60	60	60	60	60	60	60	60	60	60	60
Segmento	1	2	3	4	5	6	7	8	9	10	11	12	13	14	15	16
Nivel 1	1	2	2	3	4	3	4	5	5	3	4	6	6	5	4	3
Nivel 2	2	3	3	3	5	4	5	6	6	4	5	7	7	6	5	4
Nivel 3	2	4	4	5	7	6	7	8	8	6	7	9	9	8	7	6
Nivel 4	3	4	5	6	8	7	8	9	9	7	8	10	10	9	8	7
Nivel 5	4	6	7	7	10	9	10	11	11	9	10	12	12	11	10	9
Nivel 6	4	6	7	8	11	10	11	12	12	10	11	13	13	12	11	10
Nivel 7	5	7	9	9	13	12	13	14	14	12	13	15	15	14	13	12
Nivel 8	5	8	9	10	14	13	14	15	15	13	14	16	16	15	14	13
Nivel 9	6	9	11	12	16	15	16	17	17	15	16	18	18	17	16	15
Nivel 10	7	10	12	13	18	17	18	19	19	17	18	20	20	19	18	17

- 5) **PERSONALIZADO:** Le permite crear y reutilizar la sesión de ejercicio perfecta para usted con una combinación específica de resistencia, inclinación y tiempo o distancia. Lo máximo en programación personal. Se trata de un programa de metas en base a tiempo o distancia.

## TARGET PROFILES (PERFILES OBJETIVO)

- 1) **DISTANCE (DISTANCIA):** Esfuércese y llegue más lejos durante la sesión de ejercicio con 13 distancias. Seleccione entre las metas de 1 milla, 2 millas, 5 kilómetros, 5 millas, 10 kilómetros, 8 millas, 15 kilómetros, 10 millas, 20 kilómetros, media maratón, 15 millas, 20 millas y maratón. Usted establece su nivel.

La resistencia cambia y todos los segmentos son de 0,16 kilómetros y se repiten. (El calentamiento no se repite)

Segundos	Calentamiento				Segmentos del programa									
	0,16 km	0,16 km	0,16 km	0,16 km	0,16 km	0,16 km	0,16 km	0,16 km	0,16 km	0,16 km	0,16 km	0,16 km	0,16 km	0,16 km
Segmento	1	2	3	4	5	6	7	8	9	10	11	12	13	14
Nivel 1	1	1	1	1	1	1	1	1	1	1	1	1	1	1
Nivel 2	1	2	2	3	3	5	7	4	6	7	4	5	6	3
Nivel 3	2	2	3	3	4	6	8	5	7	8	5	6	7	4
Nivel 4	2	3	3	4	6	8	10	7	9	10	7	8	9	6
Nivel 5	3	4	4	4	8	10	12	9	11	12	9	10	11	8
Nivel 6	3	5	4	5	10	12	14	11	13	14	11	12	13	10
Nivel 7	4	5	5	5	11	13	15	12	14	15	12	13	14	11
Nivel 8	4	5	5	5	13	15	17	14	16	17	14	15	16	13
Nivel 9	4	5	5	5	15	17	19	16	18	19	16	17	18	15
Nivel 10	4	5	6	6	16	18	20	17	19	20	17	18	19	16

- 2) **CALORIES (CALORÍAS):** Establezca metas para la quema de calorías de 20 a 980 calorías en incrementos de 20 calorías. Usted establece su nivel para mantenerse en su zona de quema de grasa.

La resistencia cambia y todos los segmentos son de 20 calorías y se repiten. (El calentamiento no se repite)

Segundos	Calentamiento				Segmentos del programa									
	20 cal.	20 cal.	20 cal.	20 cal.	20 cal.	20 cal.	20 cal.	20 cal.	20 cal.	20 cal.	20 cal.	20 cal.	20 cal.	20 cal.
Segmento	1	2	3	4	5	6	7	8	9	10	11	12	13	14
Nivel 1	1	1	1	1	1	1	1	1	1	1	1	1	1	1
Nivel 2	1	2	2	3	3	5	7	4	6	7	4	5	6	3
Nivel 3	2	2	3	3	4	6	8	5	7	8	5	6	7	4
Nivel 4	2	3	3	4	6	8	10	7	9	10	7	8	9	6
Nivel 5	3	4	4	4	8	10	12	9	11	12	9	10	11	8
Nivel 6	3	5	4	5	10	12	14	11	13	14	11	12	13	10
Nivel 7	4	5	5	5	11	13	15	12	14	15	12	13	14	11
Nivel 8	4	5	5	5	13	15	17	14	16	17	14	15	16	13
Nivel 9	4	5	5	5	15	17	19	16	18	19	16	17	18	15
Nivel 10	4	5	6	6	16	18	20	17	19	20	17	18	19	16





1) **TARGET HEART RATE (FRECUENCIA CARDÍACA OBJETIVO):** Este programa está diseñado para la mejora de los niveles de su capacidad de acondicionamiento cardiovascular. Simplemente tiene que establecer su frecuencia cardíaca objetivo. El programa, luego, controla y ajusta el nivel de intensidad para mantener su frecuencia cardíaca dentro de su rango objetivo mientras hace ejercicio, lo cual representa un método comprobado para maximizar sus metas de pérdida de peso y de acondicionamiento físico. Necesita una correa para pecho y debe usarla durante todo este programa. Consulte lo siguiente para calcular su frecuencia cardíaca objetivo.

### Cálculo de la frecuencia cardíaca objetivo

El primer paso para determinar la intensidad adecuada para su acondicionamiento físico es determinar su frecuencia cardíaca máxima (FC máx.= 220 – su edad). El método basado en la edad es una predicción estadística promedio de su frecuencia cardíaca máxima y es una buena técnica para la mayoría de las personas, especialmente para los novatos en el entrenamiento basado en la frecuencia cardíaca.

La forma más precisa y exacta de determinar su frecuencia cardíaca máxima individual es que un cardiólogo o un fisiólogo experto en ejercicio la determinen clínicamente por medio de una prueba de esfuerzo máximo. Si tiene más de 40 años de edad, si tiene exceso de peso, si su vida ha sido sedentaria durante varios años o si tiene antecedentes de enfermedades cardíacas en su familia, es recomendable que se realice pruebas clínicas.

Esta tabla muestra ejemplos del rango de frecuencia cardíaca para una persona de 30 años de edad que hace ejercicio en 5 zonas de frecuencia cardíaca distintas. Por ejemplo, la frecuencia cardíaca máxima de una persona de 30 años de edad es  $220 - 30 = 190$  latidos/minuto, y el 90 % de la frecuencia cardíaca máxima es  $190 \times 0,9 = 171$  latidos/minuto.

Zona de frecuencia cardíaca objetivo	Duración de la sesión de ejercicio	Ejemplo de frecuencia cardíaca objetivo (30 años de edad)	Su frecuencia cardíaca objetivo	Recomendada para...
<b>MUY FUERTE</b> 90-100 %	< 5 MIN	171 -190 BPM		Personas con buen estado físico para entrenamiento atlético
<b>FUERTE</b> 80-90 %	2 – 10 MIN	152 -171 BPM		Sesiones de ejercicio más cortas
<b>MODERADO</b> 70-80 %	10 – 40 MIN	133 -152 BPM		Sesiones de ejercicio moderadamente largas
<b>LIGERO</b> 60-70 %	40 – 80 MIN	114 -133 BPM		Más extensas y repetición frecuente ejercicios más cortos
<b>MUY LIGERO</b> 50-60 %	20 – 40 MIN	104 -114 BPM		Control de peso y recuperación activa



### **Notas adicionales sobre la frecuencia cardíaca objetivo:**

- 1). La resistencia de la caminadora con función de inclinación se regulará automáticamente para que alcance su frecuencia cardíaca específica.
- 2). Si no se detecta ninguna frecuencia cardíaca, la unidad no cambiará la inclinación.
- 3). Si su frecuencia cardíaca está 25 latidos por encima de su zona objetivo, el programa se apagará.

## **PARA REINICIAR LA CONSOLA**

Mantenga presionada la tecla **STOP** (PARAR) durante 3 segundos.

## **FINALIZACIÓN DE SU SESIÓN DE EJERCICIO**

Al finalizar su rutina, la unidad emitirá un pitido. La información del ejercicio aparecerá en la consola durante 30 segundos y luego se borrará.

## **USO DE SU DISPOSITIVO DE MÚSICA**

La caminadora con función de inclinación 7.2Ai se conectará y transmitirá música a partir de su dispositivo de música compatible. Esto incluye muchos teléfonos inteligentes y reproductores de mp3 tradicionales como un iPod®.

Su caminadora con función de inclinación 7.2Ai viene equipada con altavoces Bluetooth. Dispositivos compatibles con Bluetooth (que admiten Bluetooth 4.0) pueden transmitir música de forma inalámbrica a través de los altavoces. También puede conectar el dispositivo de música a través de un cable de audio y aún transmitir música a través de los altavoces. Las instrucciones para los dos tipos de conexión de audio se detallan a continuación.

### **CONEXIÓN A TRAVÉS DE BLUETOOTH 4.0LE**

- 1) Compruebe que su dispositivo de música es compatible con Bluetooth 4.0.
- 2) Vaya a la configuración de Bluetooth del dispositivo y busque los dispositivos al alcance.
- 3) En su dispositivo de música, busque la lista de dispositivos Bluetooth. Seleccione su caminadora o máquina elíptica que aparecen en esta lista. Espere a que su dispositivo de música finalice el emparejamiento con la unidad.
- 4) Usted sabrá cuándo el emparejamiento es satisfactorio cuando el dispositivo de música muestra que la caminadora o la máquina elíptica es ahora un dispositivo emparejado.

### **SI LA UNIDAD ESTÁ APAGADA VUELVA A ENCENDERLA**

Si apaga su caminadora o máquina elíptica o si ingresa en modo de espera, la próxima vez que encienda la unidad buscará emparejarse con el último dispositivo de música con el cual se emparejó. Se emparejará automáticamente en ese momento.

### **VOLVER A EMPAREJAR DISPOSITIVOS DE MÚSICA**

En el caso de que la unidad no pueda encontrar el último dispositivo de música vinculado (por ejemplo, el dispositivo de música está apagado o no está en uso) entonces la unidad deja de buscar emparejarse con él. Si esto sucede y desea utilizar el dispositivo de música de nuevo, entonces, tendrá que pasar por el proceso de emparejamiento que aparece arriba y volver a enlazarlo a través de la configuración del dispositivo de música.

## USO DE DIVERSOS DISPOSITIVOS DE MÚSICA

Si está emparejando varios dispositivos con la unidad (es decir: varios usuarios están usando la caminadora o máquina elíptica y realizan el enlace de sus dispositivos de música con esta), entonces la unidad buscará emparejarse con el último dispositivo utilizado y “olvidar” otros dispositivos. Si desea volver a emparejar un dispositivo de música “olvidado”, entonces tendrá que desvincular el dispositivo emparejado actualmente y, luego, volver a acoplar su dispositivo a través del proceso de emparejamiento indicado anteriormente.



## CONEXIÓN A TRAVÉS DE UN CABLE DE AUDIO

- 1) Conecte el CABLE ADAPTADOR DE AUDIO que se incluye a la TOMA DE ENTRADA DE AUDIO que está a la derecha de la consola y la toma de los auriculares en su dispositivo de música.
- 2) Utilice los botones de su reproductor de CD/MP3 para ajustar los parámetros de las canciones.
- 3) Retire el CABLE ADAPTADOR DE AUDIO cuando no lo utilice.
- 4) Si no desea utilizar los ALTAVOCES, puede enchufar sus auriculares en la TOMA DE SALIDA DE AUDIO en la parte inferior de la consola. Esto asegura que si accidentalmente tira del cable de los auriculares mientras corre, no tire el dispositivo al suelo.

## SISTEMA CONNECTED FITNESS DE AFG PARA TABLETA

Su máquina AFG es compatible con tabletas listas, lo cual le permite utilizar la tecnología Bluetooth 4.0 para conectar su tableta de forma inalámbrica a su caminadora con función de inclinación AFG Pro. Con la aplicación AFG Fitness de descarga gratuita, podrá controlar las funciones operativas de su caminadora con función de inclinación mediante su tableta. La aplicación también le permitirá controlar su sesión de ejercicios, realizar el seguimiento de su progreso y ver el historial de su sesión de ejercicios. La aplicación AFG Fitness se puede descargar desde el iTunes Store para dispositivos iOS o desde la tienda de Google para dispositivos Android.

Para obtener información sobre cómo conectar su tableta a la caminadora AFG Pro, configurar la aplicación AFG Fitness y controlar y supervisar sus ejercicios con su tableta, consulte el Manual de conexión para AFG Fitness incluido junto con su caminadora con función de inclinación.

## MONITOREO DEL RITMO CARDÍACO POR BLUETOOTH

La caminadora con función de inclinación 7.2Ai está equipada con Bluetooth multicanal que le permite conectar dispositivos de monitoreo de frecuencia cardíaca compatibles con Bluetooth de forma inalámbrica. Tendrá que asegurarse que su dispositivo de monitoreo inalámbrico de la frecuencia cardíaca es compatible con Bluetooth 4.0 y también está “abierto” para el intercambio de datos. Por lo general los dispositivos no “abiertos” o “cerrados” solo comparten datos con sus aplicaciones patentadas. La caminadora 7.2Ai necesita un dispositivo “abierto” para recibir datos desde el dispositivo. Es posible que tenga que consultar el manual del usuario de su dispositivo o con el fabricante para confirmar si se trata de un dispositivo abierto.

Si está utilizando una tableta y ejecutar la aplicación AFG Fitness, el dispositivo de monitorización de la frecuencia cardíaca compatible con Bluetooth se emparejará automáticamente a la aplicación. El entrenador de inclinación recibirá entonces la información del ritmo cardíaco de su tableta. Si desea utilizar el dispositivo de monitorización de la frecuencia cardíaca Bluetooth sin una tableta y AFG aptitud aplicación, pulse y mantenga pulsado el botón de Bluetooth en la consola durante 5 segundos. Esto permitirá a la consola para comunicarse directamente con el dispositivo de monitorización de la frecuencia cardíaca Bluetooth. Información del ritmo cardíaco se mostrará en su pantalla de la consola. En el modo de monitor de ritmo cardíaco, la consola no podrá comunicarse a la tableta. Para permitir la comunicación de la tableta, pulse y mantenga pulsado el botón de Bluetooth en la consola durante 5 segundos o restablecer la alimentación.

# GARANTÍA LIMITADA PARA EL USO DOMÉSTICO





## **CAPACIDAD DE PESO = 325 libras (147,4 kilogramos)**

### **BASTIDOR • DE POR VIDA**

AFG le ofrece al propietario original, de por vida, la garantía del bastidor contra defectos de fabricación y materiales, siempre y cuando el dispositivo permanezca en posesión del propietario original. (El bastidor se define como la base de metal soldada de la unidad y no incluye ninguna pieza que pueda extraerse).

### **BASTIDOR • DE POR VIDA**

AFG le ofrece al propietario original, de por vida, la garantía del freno contra defectos de fabricación y materiales, siempre y cuando el dispositivo permanezca en posesión del propietario original. La mano de obra o la instalación del freno no está comprendida bajo la garantía de los frenos.

### **PIEZAS Y CIRCUITOS ELECTRÓNICOS • 3 AÑOS**

AFG garantiza los componentes electrónicos, el acabado y todas las piezas originales por un período de tres años desde la fecha de la compra original, siempre y cuando el dispositivo permanezca en posesión del propietario original.

### **MANO DE OBRA • 1 AÑO**

AFG cubrirá el costo de mano de obra para la reparación del dispositivo por un período de un año desde la fecha de la compra original, siempre y cuando el dispositivo permanezca en posesión del propietario original.

### **MOTOR DE INCLINACIÓN • 1 AÑO**

AFG ofrece garantía del mecanismo de inclinación mecánico y las piezas de inclinación contra defectos en la fabricación y los materiales por un período de un año desde la fecha de la compra original, siempre y cuando el dispositivo permanezca en posesión del propietario original.

## **EXCLUSIONES Y LIMITACIONES**

### **Quién ESTÁ cubierto:**

- El propietario original; la cobertura no es transferible.

### **Qué ESTÁ cubierto:**

- La reparación o la sustitución de un motor, un componente electrónico defectuoso o una pieza defectuosa y es el único resarcimiento de la garantía.

### **Qué NO está cubierto:**

- El desgaste normal por el uso, el montaje o el mantenimiento inadecuados, la instalación de piezas o accesorios no destinados originalmente al equipo o que no sean compatibles con este en las condiciones en que se lo vendió.
- Los daños o los fallos ocasionados por accidente, maltrato, corrosión, decoloración de la pintura o del plástico, negligencia, robo, vandalismo, incendio, inundación, viento, rayos, congelación u otros desastres naturales de cualquier tipo, falta, fluctuaciones o reducción de la energía por cualquier causa, condiciones atmosféricas anormales, choques, introducción de objetos extraños dentro de la unidad cubierta o modificaciones no autorizadas o no recomendadas por AFG.

- Daños incidentales o emergentes. AFG no es responsable de los daños indirectos, especiales o resultantes; pérdidas económicas; pérdida de propiedad o de utilidades; pérdida de disfrute o de uso; ni de otros daños resultantes de cualquier naturaleza en relación con la adquisición, el uso, la reparación o el mantenimiento del equipo. AFG no suministra compensación monetaria ni de otro tipo para dichas reparaciones ni para los costos de piezas de repuesto, incluidos, a título enunciativo y no limitativo, cuotas de membresía en gimnasios, tiempo perdido de trabajo o labores, servicio de diagnóstico, servicio de mantenimiento o transporte.
- El equipo utilizado para fines comerciales o para cualquier otro propósito distinto del uso de una familia o un hogar, a menos que AFG apruebe la cobertura.
- El equipo que se tenga u opere fuera de los EE. UU. y Canadá.
- Entrega, montaje, instalación, configuración para unidades originales o de sustitución o mano de obra u otros costos asociados con la remoción o la sustitución de la unidad cubierta.
- Cualquier intento de reparar este equipo implica un riesgo de lesión. AFG no es responsable de daños, pérdidas u obligaciones que surjan de lesiones personales sufridas durante el curso de, o como resultado de, cualquier reparación o intento de reparación de su equipo de acondicionamiento físico por parte de cualquier persona que no sea un técnico de servicio autorizado. Todas las reparaciones que usted intente llevar a cabo en su equipo de acondicionamiento físico las hace A SU PROPIO RIESGO, y AFG no será responsable de ninguna lesión a las personas o daños a la propiedad que surjan de tales reparaciones.
- Si la garantía del fabricante se venció pero cuenta con una extensión de garantía, consulte su contrato de extensión de garantía para obtener información de contacto para solicitudes de servicio técnico o reparación bajo la extensión de la garantía.

## MANTENIMIENTO/DEVOLUCIONES

- Existe un servicio técnico a domicilio dentro de las 150 millas (240 km) del proveedor de mantenimiento autorizado más cercano (las distancias mayores a 150 millas [240 km] de un centro de servicio autorizado son responsabilidad del cliente).
- Todas las devoluciones requieren autorización previa.
- La garantía se limita a la sustitución o la reparación, según criterio del servicio técnico o el fabricante, el producto por el mismo modelo o un modelo comparable.
- El fabricante puede solicitar que los componentes defectuosos le sean devueltos una vez que se complete el servicio técnico bajo garantía, por medio de una etiqueta de devolución prepagada. Si le han recomendado devolver piezas y no recibió una etiqueta, comuníquese con el Servicio de Asistencia Técnica para Clientes.
- En ocasiones, se pueden suministrar unidades, piezas y componentes electrónicos de repuesto que el fabricante o sus proveedores hayan reacondicionado a un "estado equivalente al nuevo" como piezas de repuesto bajo garantía, y esto constituye el cumplimiento de los términos de la garantía.
- Esta garantía le otorga derechos legales específicos, y sus derechos varían según el estado.





## CUSTOMER TECH SUPPORT

DO NOT RETURN TO THE RETAILER if you have any problems during assembly or if parts are missing.

For fast and friendly service, please contact one of our trained customer technicians via phone, email or our website.

We want to know if you have a problem and we want to have an opportunity to correct it for you.

NOTE: Please read the TROUBLESHOOTING section in the ELLIPTICAL GUIDE before contacting Customer Tech Support. Additional product information is available on our website.



## SERVICE DE SOUTIEN TECHNIQUE À LA CLIENTÈLE

En cas de difficulté lors de l'assemblage ou si des pièces manquent, NE PAS RENVoyer L'APPAREIL AU DÉTAILLANT.

Pour un service rapide et amical, communiquer avec un de nos techniciens qualifiés, par téléphone, courriel ou notre site Web.

Veuillez nous signaler tout problème, afin que nous puissions vous aider à y remédier.

REMARQUE : Lire la section DÉPANNAGE du GUIDE D'UTILISATION DE L'EXERCISEUR ELLIPTIQUE avant de contacter le service de soutien technique à la clientèle. Pour plus ample information sur le produit, visiter notre site Web.



## SERVICIO DE ASISTENCIA TÉCNICA PARA CLIENTES

Si tiene problemas durante el ensamblaje o si le faltan piezas NO DEVUELVA ESTE APARATO AL VENDEDOR MINORISTA.

Para obtener servicio rápido y amable, comuníquese por teléfono, correo electrónico o a través de nuestro sitio en Internet con alguno de nuestros técnicos capacitados en ayuda a clientes.

Nos interesa saber si usted tiene algún problema y queremos tener la oportunidad de corregir la situación.

NOTA: Antes de comunicarse con el Servicio de Asistencia Técnica para Clientes, lea la sección de RESOLUCIÓN DE PROBLEMAS en la GUÍA DEL USUARIO DE LA MÁQUINA ELÍPTICA. Puede encontrar información adicional del producto en nuestro sitio en Internet.



1-855-396-2524  
support@advancedfitnessgroup.com  
www.afgfitness.com

Advanced Fitness Group  
1600 Landmark Drive,  
Cottage Grove WI, 53527