

# MATRIX



## Matrix IC3

model no.:  
IC-MXIC3B-01

Manufactured by:  
Indoorcycling Group GmbH  
Happurger Str. 86  
90482 Nuremberg | Germany  
[www.indoorcycling.com](http://www.indoorcycling.com)  
[info@indoorcycling.com](mailto:info@indoorcycling.com)

### **MATRIX Fitness Systems Corp.**

1610 Landmark Drive  
Cottage Grove, WI 53527  
Toll-free: 866.693.4863  
Local: 608.839.8686  
[www.matrixfitness.com](http://www.matrixfitness.com)

### **CAUTION !**

Read all precautions and instructions in this manual before using this equipment. Keep this manual for future reference.

**Improper assembly, maintenance or use can void the warranty terms.**

Important precautions	page 3
Before you begin	page 4
How to assemble the Matrix IC3 Indoor Cycle	page 5-7
How to operate	page 12
Initial install checks	page 8
How to adjust the Matrix IC3 Indoor Cycle	page 9-11
Resistance adjustment	page 12
How to move the Matrix IC3 Indoor Cycle	page 12
Preventative maintenance	page 13
Daily maintenance	page 13
Weekly maintenance	page 13
Bi-Weekly maintenance	page 14-15
Monthly maintenance	page 15-16
Maintenance activity plan & check lists	page 17-18
Exploded drawings of structural components	page 19-23
Spare part reference list	page 24-28
Limited warranty	page 29

### Technical specifications:

The Matrix IC3 Bike is, according to EN 957, a Class S product for professional and / or commercial use. Such training equipment is intended for use in training areas of organizations such as fitness clubs or sport associations, where access and control are specifically regulated by the individual with legal responsibility.

Foot print:	52 x 120 cm / 20.5 x 47.2 inch
Weight of bike:	57kg / 126,66 lbs
Max saddle height:	115 cm / 45.3 in
Max handlebar height:	115 cm / 45.3 in
Max user weight:	130 kg / 287 lbs

The bike is designed to accommodate most users from 150 to 205 cm / 59.1 to 81.7 in in body height.

## IMPORTANT PRECAUTIONS

### WARNING!

To reduce the risk of serious injury, read the following important precautions and information before operating the Matrix IC3 Indoor Cycle.

1. It is the responsibility of the owner to ensure that all users of the Matrix IC3 Indoor Cycle are informed of all warnings and precautions.
2. Operate and maintain the Matrix IC3 Indoor Cycle only as described in this manual.
3. Do not operate the Matrix IC3 Indoor Cycle until it is properly assembled (see page 5-7).
4. Keep the bike indoors, away from moisture and dust. Do not place the Matrix IC3 Indoor Cycle in a garage or covered patio or near water.
5. Place the Matrix IC3 Indoor Cycle on a level surface. To protect the floor or carpet from damage, place a mat beneath the Matrix IC3 Indoor Cycle. Make sure that there is adequate room around the Matrix IC3 Indoor Cycle to mount, dismount, and operate it.
6. Regularly inspect and properly tighten all parts of the Matrix IC3 Indoor Cycle as recommended in this manual. Please replace defective parts immediately, and do not use the bike until repair is performed. Use only original parts from the manufacturer.
7. Children under the age of 14 should only be allowed use of the Matrix IC3 Indoor Cycle with parental consent and guidance by a specially trained instructor.
8. The Matrix IC3 Indoor Cycle should not be used by persons weighing more than 290 pounds (130 kg).
9. Always wear appropriate athletic attire and shoes while operating the Matrix IC3 Indoor Cycle. Do not wear loose clothing that could become caught on the Matrix IC3 Indoor Cycle or shoes with loose laces.
10. Before using the Matrix IC3 Indoor Cycle, make sure that you are familiar with the operation of the Indoor Cycle (see pages 8-12).
11. The Matrix IC3 Indoor Cycle does not have an independently moving flywheel (wheel); the pedals will continue to move with the flywheel until the flywheel stops.
12. Always adjust the flywheel resistance so that your pedaling motion is controlled (see page 12).
13. Keep your back straight while using the Matrix IC3 Indoor Cycle; do not arch your back.
14. If you feel pain or dizziness while exercising, stop immediately, rest and cool down.
15. If replacement parts are needed, use only manufacturer-supplied parts.

### WARNING:

Before beginning any exercise program, consult your physician. This is especially important for persons over the age of 35 or persons with pre-existing health problems. Read all instructions prior to use. Be aware that incorrect or extensive training can result in serious health injuries. The manufacturer assumes no responsibility for personal injury or property damage sustained by or through the use of this product.

## BEFORE YOU BEGIN

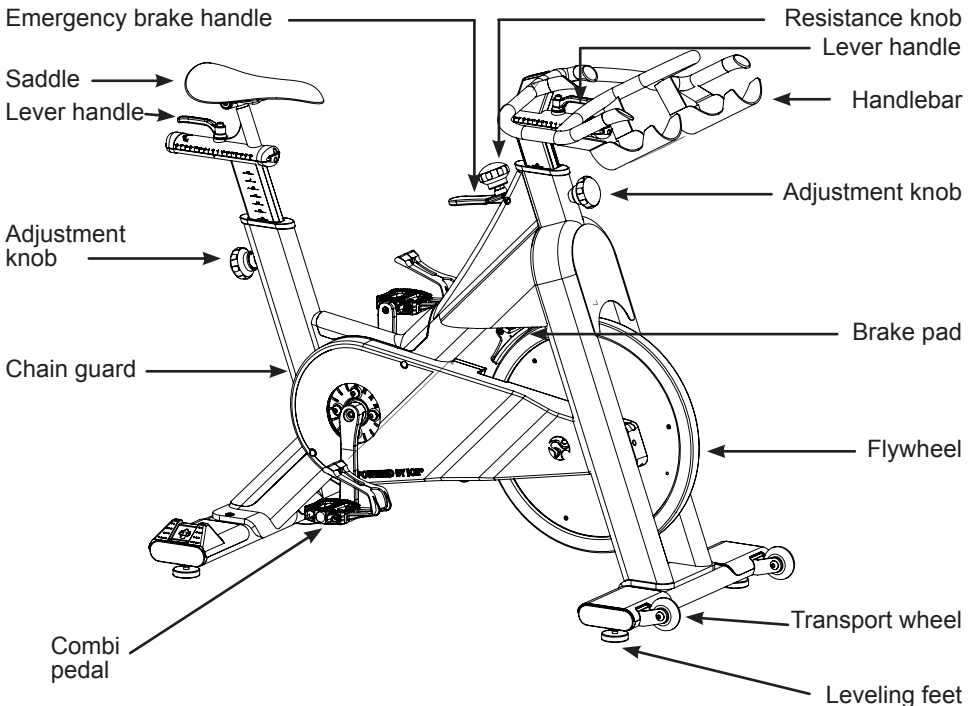
Dear Customer,

Congratulations on selecting the Matrix IC3 Indoor Cycle.

The Matrix IC3 Indoor Cycle offers an impressive array of features designed to enhance cardiovascular fitness, tone muscles, and develop endurance. Whether users are beginners or experienced athletes, the Matrix IC3 Indoor Cycle offers workouts that will help users to reach their individual fitness goals.

**IMPORTANT: Read this manual carefully before assembling or using the Matrix IC3 Indoor Cycle.**

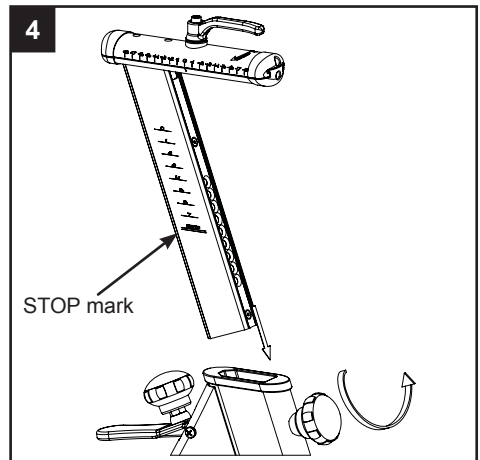
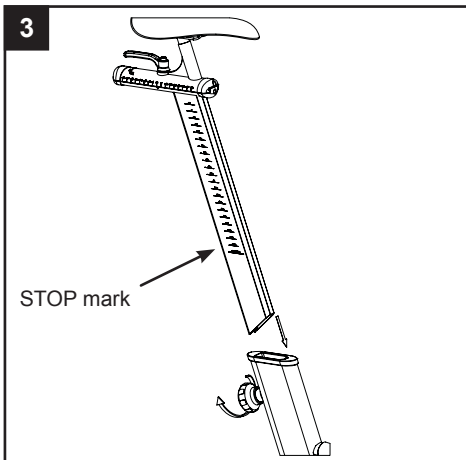
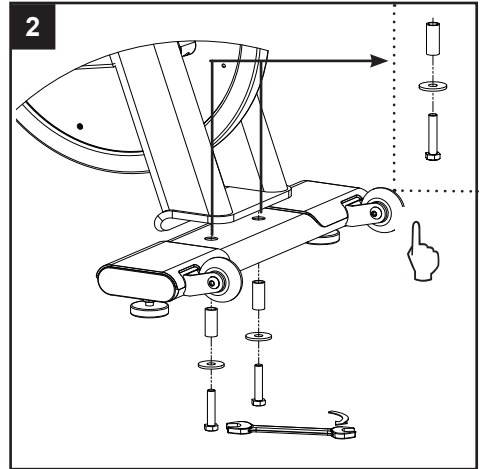
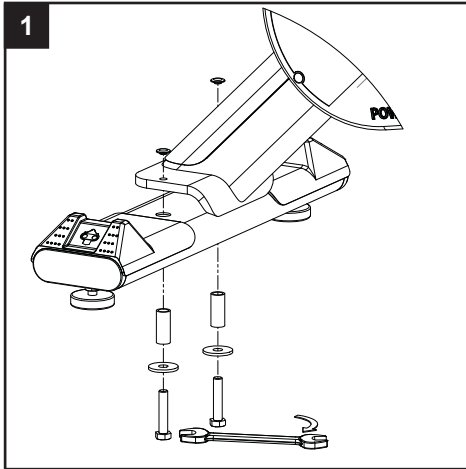
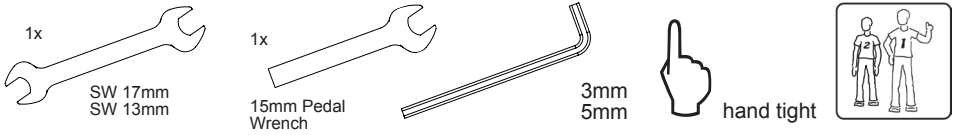
If you have questions after reading this manual, please contact Indoorcycling Group GmbH or visit the website [www.indoorcycling.com](http://www.indoorcycling.com). Before reading further, please familiarize yourself with the parts that are labeled in the drawing below.



You will find the production code on the lower left side of the Matrix IC3 Indoor Cycle frame. Please refer to this number in servicing and maintenance lists.

# MATRIX

## HOW TO ASSEMBLE Matrix IC3 Indoor Cycle

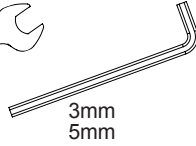
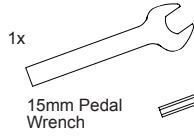
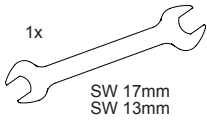


**Please assure that nuts are tightened with significant force to minimize loosening during use.**

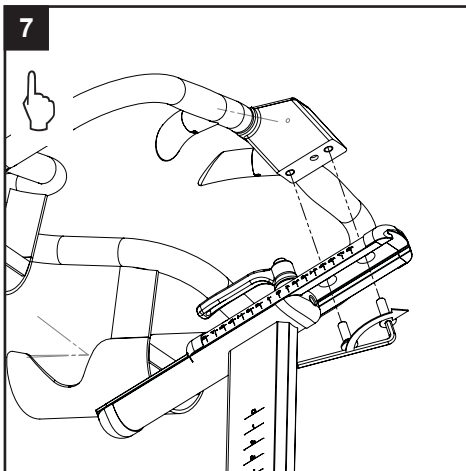
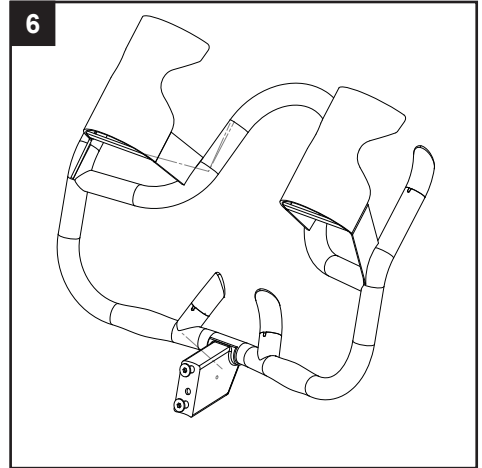
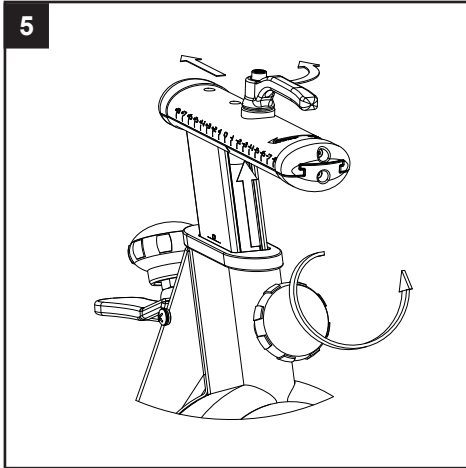
Seat clamp must be tightened securely from both sides to minimize loosening during use.

# MATRIX

## HOW TO ASSEMBLE Matrix IC3 Indoor Cycle

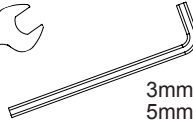
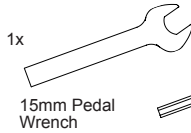
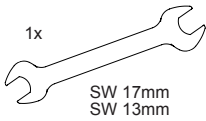


hand tight

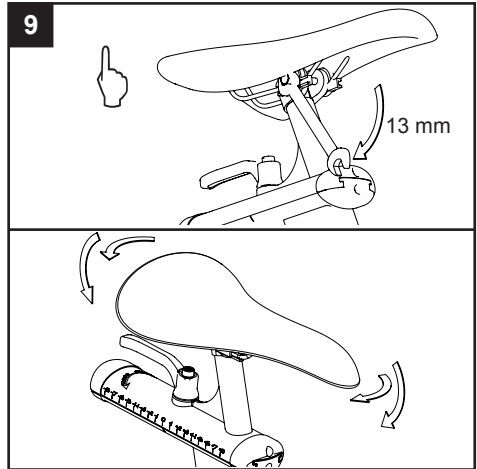
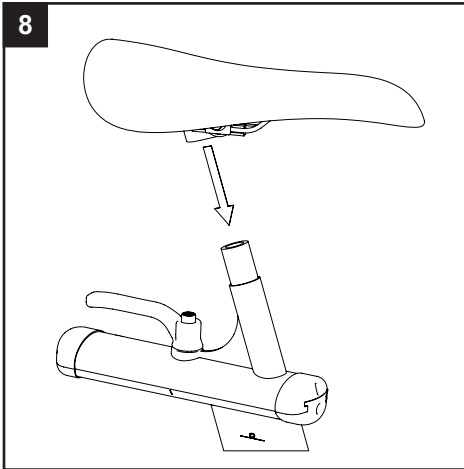


# MATRIX

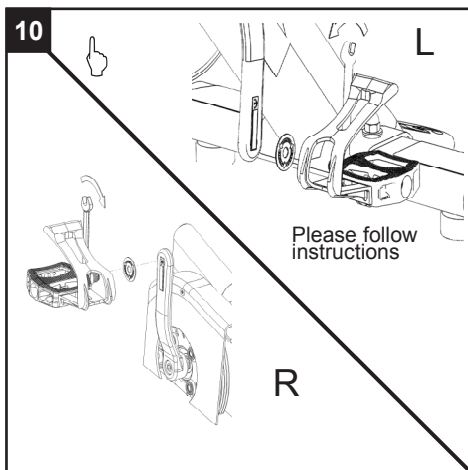
## HOW TO ASSEMBLE Matrix IC3 Indoor Cycle



hand tight



Make sure the seat is fixed in a **LEVEL HORIZONTAL AND VERTICAL** position.  
Seat clamp must be tightened securely from both sides to minimize loosening during use.



Pedal marked R installed on right crank (clockwise), Pedal marked L installed on left crank (counterclockwise).

Pedals must be fastened with significant force to avoid loosening with use of the indoor cycle.

## INITIAL INSTALL CHECKS

The cycle tune-up must be performed at initial installation of the indoor cycle for optimal performance and longevity. Please read and follow all instructions below. If the indoor cycle is not installed and tuned as described, components may wear excessively and the indoor cycle may become damaged. If you have questions about the installation, please contact matrix customer service [www.matrixfitness.com](http://www.matrixfitness.com)

**Note: Some maintenance procedures require acid-, silicone- and solvent-free spray lubricant** (for example, BRUNOX) **and white lithium grease.**

1. Make sure that the indoor cycle is level. If the indoor cycle rocks on the floor, turn the leveling feet underneath the front and/or rear stabilizer until the rocking motion is eliminated.
2. Verify emergency brake function to assure that emergency brake functions correctly.
3. Brake pad calibration: Turn resistance knob counterclockwise as far as possible (minimum braking effect). Verify that there is a slight separation of the brake pad from flywheel. Brake pad should barely touch the flywheel when resistance knob is turned counterclockwise as far as it can go.
4. Apply spray lubricant to the brake pad using the lubrication holes on the plastic part or the brake pad and externally on the felt pad. Make sure brake pad is thoroughly soaked from end to end with lubricant spray. Wipe the excess from the flywheel.  
\* Best Practice: Use a refillable spray bottle filled with non-aerosol **acid-, silicone- and solvent-free** spray lubricant purchased by the gallon (3.7 L) at the local hardware store.
5. Apply Lithium grease to the threads on the lower end of the brake rod. First, turn the resistance knob clockwise until it stops. Apply a small amount of white lithium grease to the threads on the brake rod above the two lock nuts. Then, turn the resistance knob counterclockwise until it stops.
6. Apply Lithium grease on the metal threads of all the adjustment knobs.
7. Check four (4) Allen bolts on RS pulley for tightness. If loose, apply LocTite Threadlocker Blue-242 and retighten.
8. Verify R and L crank arm Allen bolts for tightness. If loose, apply LocTite Threadlocker Blue-242 and retighten.
9. Wipe down bike frame with rag moistened with solvent-free spray lubricant
10. Some parts of the indoor cycle may become loose during shipment. Check crank arms and check all exposed screws, bolts and nuts, and make sure that they are properly tightened.

### Customer Service

1. Provide basic maintenance instructions for clients and direct them to detailed maintenance instructions (page 13-18).
2. Provide sign-off sheet for clients to confirm explanation of maintenance procedures/manual and verification of condition of bikes.

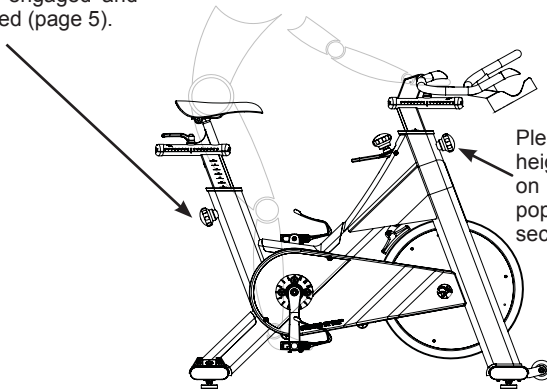
## HOW TO ADJUST THE Matrix IC3 Indoor Cycle

The Matrix IC3 Indoor Cycle can be adjusted for maximum comfort and exercise effectiveness. The instructions below describe one approach to adjusting the Matrix IC3 Indoor Cycle to ensure optimal user comfort and ideal body positioning. You may choose to adjust the Matrix IC3 Indoor Cycle differently.

### **Pedal strap adjustment:**

Sit on the saddle and position your feet on the pedals, with the balls of your feet directly above the spindles of the pedals (see the drawing below). Adjust the pedal straps so the toe clips (cages) are snug but not too tight. Note: When fitting a bike with combi-pedals, the pedals feature toe clips on one surface and SPD cleats on the opposite surface. If desired, use the SPD cleats with cycling shoes instead of the toe clips.

Please do not adjust saddle height beyond the STOP mark on the stem. Also ensure the pop pin is fully engaged and securely tightened (page 5).



Please do not adjust saddle height beyond the STOP mark on the stem and ensure the pop pin is fully engaged and securely tightened (page 5).

**Please avoid overtightening the pop pin adjustment knob as this may cause damage to the vertical aluminum stems.**

### **Saddle height adjustment:**

Sit on the saddle and slowly pedal until the right pedal is in the lowest position. Your knees should be slightly bent with no dropping of the hips.

**To avoid hyperextending your knees, make sure that your legs are not completely straight.**

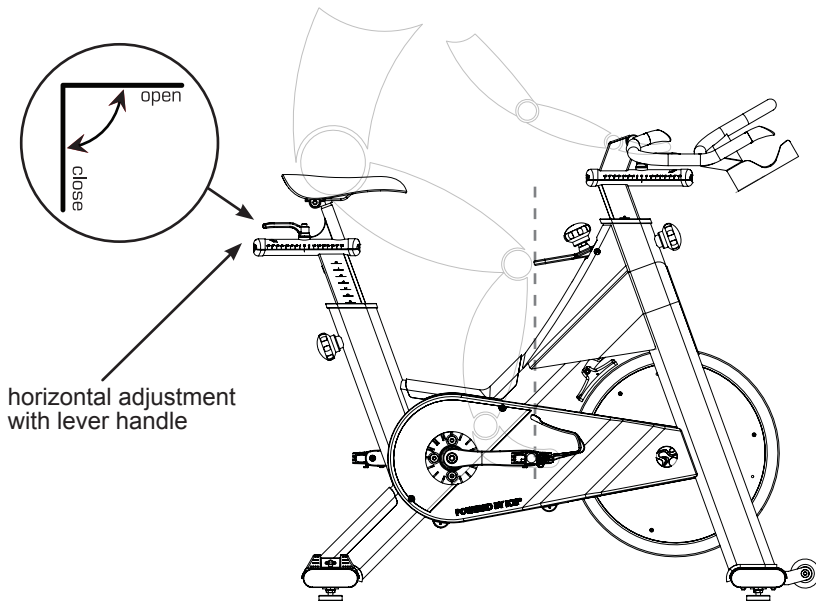
# MATRIX

## HOW TO ADJUST THE Matrix IC3 Indoor Cycle

### Saddle horizontal adjustment:

Proper horizontal adjustment of the saddle is very important in avoiding injury to the knees. Sit on the saddle and move the pedals until the crank arms are in horizontal position.

Using your forward leg as a marker, your kneecap should be directly above the center of the pedal so that a straight line is created between knee and center of the pedal (see the dotted line in image below). To adjust the horizontal position of the saddle, first dismount the Matrix IC3 Indoor Cycle. Next, loosen the rear lever handle, slide the saddle forward or backward as required, and then retighten the lever handle.



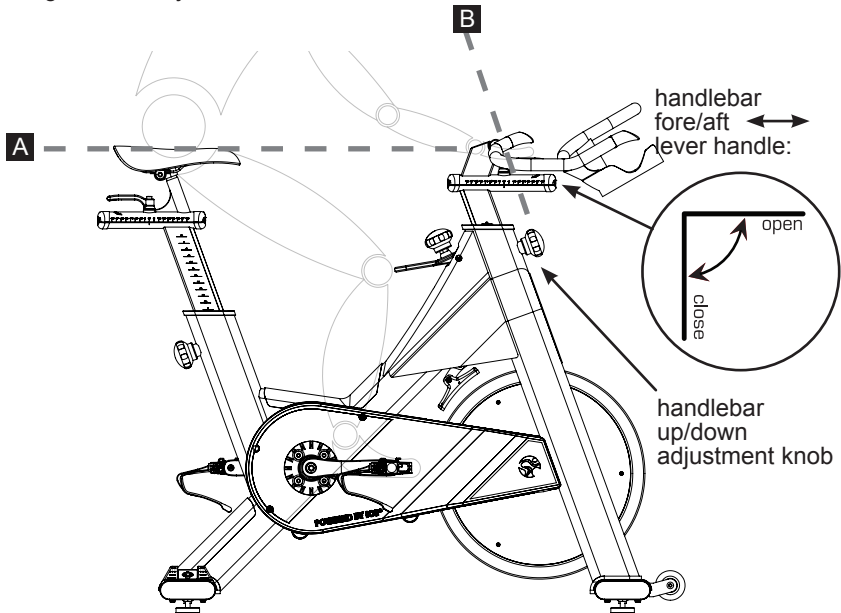
# MATRIX

## HOW TO ADJUST THE Matrix IC3 Indoor Cycle

### Handlebar adjustment:

Begin with the top of the handlebar at relatively the same height as, or just slightly higher than, the top of the saddle (**dotted horizontal line A in the drawing below**) and at a neutral fore/aft position (**see dotted vertical line B in drawing below**). If your knees touch the handlebars, or if you experience back discomfort while pedaling for extended periods of time, the height of the handlebars can be adjusted. First, dismount the Matrix IC3 Indoor Cycle.

Next, turn the front adjustment knob counterclockwise, slide the handlebar post up or down, and retighten the adjustment knob.



Next, the horizontal position of the handlebar should be adjusted. If the handlebar is too close to the saddle, your breathing may feel restricted. If the handlebar is too far from the saddle, you may experience back discomfort. To adjust the horizontal position of the handlebar, first dismount the Matrix IC3 Indoor Cycle. Check for proper handlebar position by positioning your elbow so that it touches the front tip of the saddle at a 90-degree angle and checking that the fingertip of your middle finger is touching the handlebar at the mid-point. If it is not as described, loosen the fore/aft lever handle and slide the handlebar forward or backward until your middle finger is touching the handlebar at the mid-point. Retighten the lever handle.

The handlebar offers a wide variety of hand positions for personal preferences. Changing your hand position can change the angle of your back, neck, and arms. To minimize the stress on your muscles during your workouts, change your hand position frequently.

# MATRIX

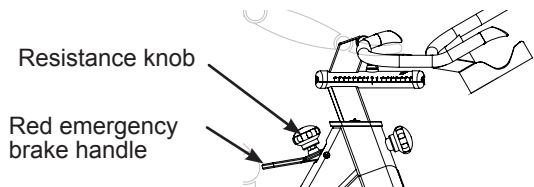
## HOW TO OPERATE THE Matrix IC3 Indoor Cycle

### Resistance adjustment:

The preferred level of difficulty in pedaling (resistance) can be regulated in fine increments by use of the resistance knob. To increase the resistance, turn the resistance knob clockwise. To decrease the resistance, turn the knob counterclockwise.

**IMPORTANT:** To stop the flywheel (wheel) while pedaling, pull up the red emergency handle. The flywheel should quickly come to a complete stop. Please make sure your shoes are fixed into the toe clip or, in case cycling shoes are used, your shoe cleat is connected to the pedal binding while riding.

**! The Matrix IC3 Indoor Cycle does not have a free-moving flywheel (wheel). The pedals will continue to move with the flywheel until the flywheel stops. Reducing speed in a controlled manner is required. To stop the flywheel immediately, pull up the red emergency break handle. Always pedal in a controlled manner and adjust your desired cadence according to your own abilities. Pull the red emergency handle up for emergency stop. !**

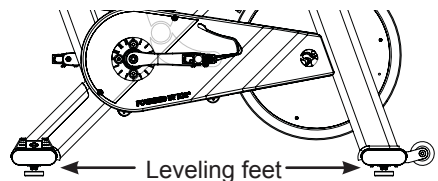


### How to move the Matrix IC3 Indoor Cycle:

Due to the weight of the Matrix IC3 Indoor Cycle, it is recommended that two people move it. While one person lifts the back of the Matrix IC3 Indoor Cycle, the second person firmly holds the handlebar and tips the Matrix IC3 Indoor Cycle forward until it rolls on the wheels. Carefully move the Indoor Cycle to the desired location and then lower it.

**CAUTION:** To reduce the risk of injury, use extreme caution while moving the Indoor Cycle. Do not attempt to move it over uneven surfaces. Make sure to allow a minimum safety space of 20 inches to the nearest equipment.

If the Matrix IC3 Indoor Cycle rocks on the floor after being set down, turn the leveling feet (see diagram) underneath the front or rear stabilizer until the rocking motion is eliminated. **Important:** Please do not unscrew the leveling feet more than 1/2 inch!



Regular maintenance must be performed on the Matrix IC3 Indoor Cycle for optimal performance and longevity. Please read and follow all instructions below. If the indoor cycle is not maintained as described, components may wear excessively and the Matrix IC3 Indoor Cycle may become damaged. Improper maintenance will void the warranty terms. If you have questions about maintenance, contact your local distributor or refer to [www.indoorcycling.com](http://www.indoorcycling.com).

**Note: Many maintenance procedures require lubricant spray. Manufacturer recommends Brunox or any other solvent-free lubricant.**

### Daily maintenance:

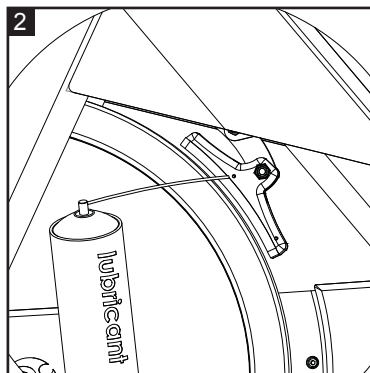
1. Make sure that the Matrix IC3 Indoor Cycle is level. If the Matrix IC3 Indoor Cycle rocks on your floor, turn the leveling feet underneath the front or rear stabilizer until the rocking motion is eliminated (see „How to move the Matrix IC3 Indoor Cycle“ on page 12).

2. After each user finishes exercising, the Matrix IC3 Indoor Cycle should be disinfected and cleaned to maintain a hygienic environment. First, apply a disinfectant spray to the handlebars and the saddle. Using a lint-free cloth, dry the handlebars and the saddle. Next, apply a small amount of disinfectant to a lint-free cloth and clean the adjustment knobs and the lock handles. Avoid using strong detergents on the Matrix IC3 Indoor Cycle frame.

### Weekly maintenance:

1. Apply a small amount of the lubrication spray to a lint-free cloth. Thoroughly clean the frame, the handlebar slider, the seat sliders, the flywheel, and the plastic parts of the Matrix IC3 Indoor Cycle.

2. For optimal performance of the resistance system, and to minimize wear on the brake pad, the **acid-, silicone- and solvent-free spray lubricant** should be applied to the brake pad using the lubrication holes on the plastic part of the brake pad. If fuzz or lint appears on the brake pad, the brake pad has become too dry. Lubricant spray should be applied more frequently. Make sure brake pad is thoroughly soaked from end to end with lubricant spray. Wipe off any excess.



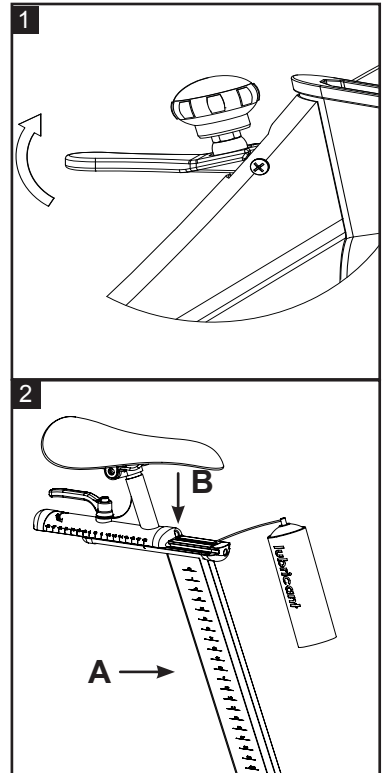
### Bi-weekly maintenance:

1. The Matrix IC3 Indoor Cycle should not be used if the emergency brake system is not working properly.

While sitting on the saddle and pedaling, test the brake by pulling upward on the emergency brake handle. The flywheel should come to a quick and complete stop.

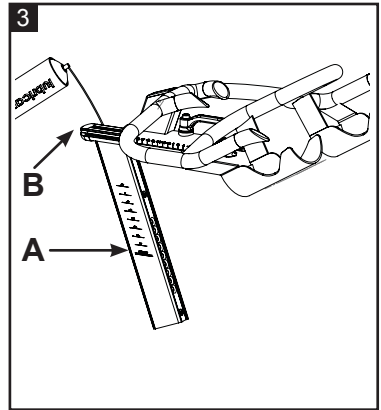
2. To maintain the easy adjustability of the saddle post, the saddle post should be cleaned and lubricated. Turn the rear adjustment knob counterclockwise and slide the saddle post out of the frame. Apply a small amount of lubricant spray to a lint-free cloth, and clean the saddle post (A).

Next, loosen the rear lock handle and slide the saddle carriage as far back as possible. Apply a small amount of lubricant spray to a lint-free cloth, and clean the top of the saddle slide (B). Then slide the saddle carriage as far forward as possible and clean the top of the saddle slide. Finally, adjust the saddle to the desired position.



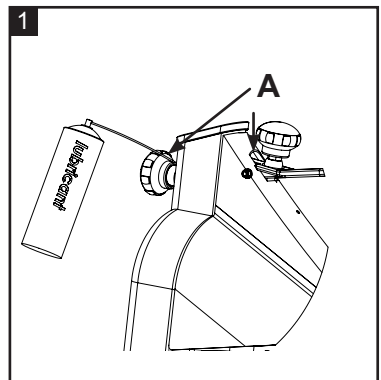
3. To maintain the easy adjustability of the handlebar post, the handlebar post should be cleaned and lubricated. First, turn the front adjustment knob counterclockwise and slide the handlebar post out of the frame. Apply a small amount of lubricant spray to a lint-free cloth, and clean the handlebar post (**A**).

Next, reinsert the handlebar post into the frame and adjust it to the desired height. Loosen the front lock handle and slide the handlebar carriage as far back as possible. Apply a small amount of lubricant spray to a lint-free cloth, and clean the surface of the handlebar slide (**B**). Then slide the handlebar carriage as far forward as possible and clean the top of the handlebar slide. Finally, adjust the handlebar to the desired position.

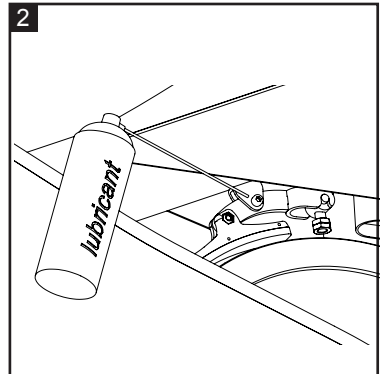


### Monthly maintenance:

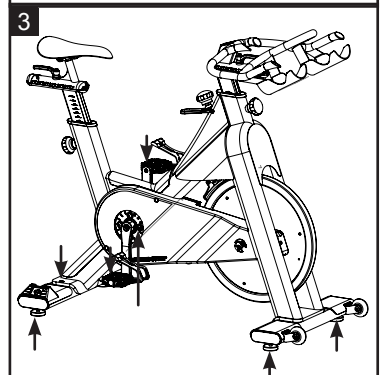
1. To maintain the smooth function of the height adjustment knobs for the handlebar and saddle, the metal threads on the adjustment knobs (**A**) must be lubricated. Use of white lithium grease is recommended.



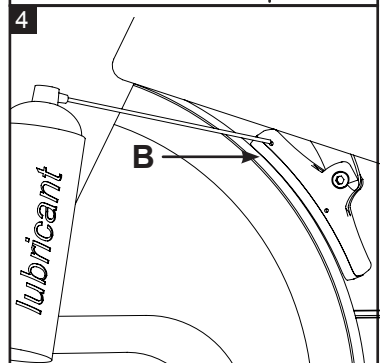
2. To maintain the easy adjustability of the resistance system, the threads on the lower end of the brake rod should be lubricated. First, turn the resistance knob clockwise until it stops. Next, look under the right or left side of the frame and locate the brake rod, which has two lock nuts on its lower end. Apply a small amount of synthetic grease (white lithium grease) to the threads on the brake rod above the two lock nuts. Turn the resistance knob counterclockwise until it stops.



3. Some parts of the Matrix IC3 Indoor Cycle may become loose as a result of repeated use. Check pedals, toe clips and pedal straps, and make sure that they are properly tightened. Next, check all exposed screws, bolts, and nuts. Make sure that they are properly tightened. Finally, check the saddle to make sure that it is not loose or damaged. Please use Locktite on loose crank arm and pulley screws.



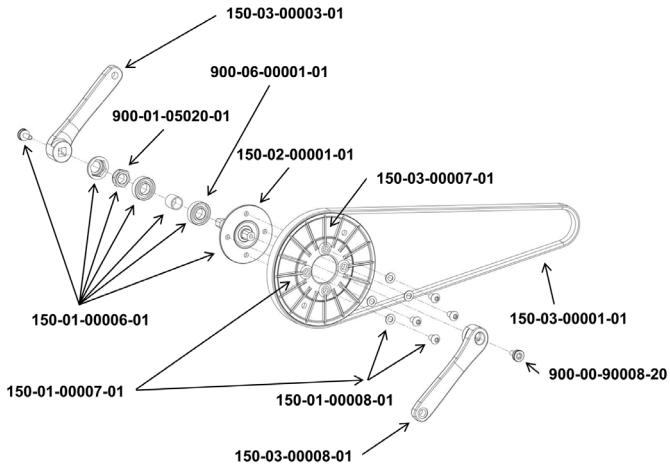
4. The brake pad will become worn as a result of repeated use. The Matrix IC3 Indoor Cycle should not be used if the emergency brake system is not working properly (see page 14)! Should you feel that the resistance system's functions are deficient, it is essential to fine-tune the resistance system before the bike is used again! Please check the setting of the brake system as follows: First turn the resistance regulator on the brake system as far as it will go to the left (minimum braking effect). If the setting is correct, the brake pads should be flush with the flywheel and barely touching so that it is possible to cycle with a barely noticeable amount of resistance. The brake pad can be adjusted using a 10 mm wrench. Next, check the brake pad for signs of wear. If the brake pad does show signs of excessive wear, thoroughly soak the brake pad with lubricant spray using the 2 lubrication holes (B). Wipe off the excess.



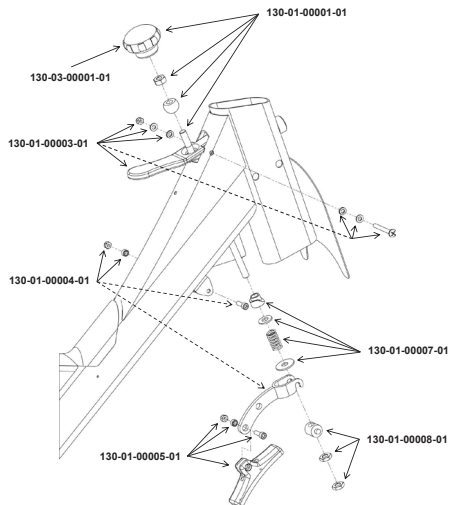




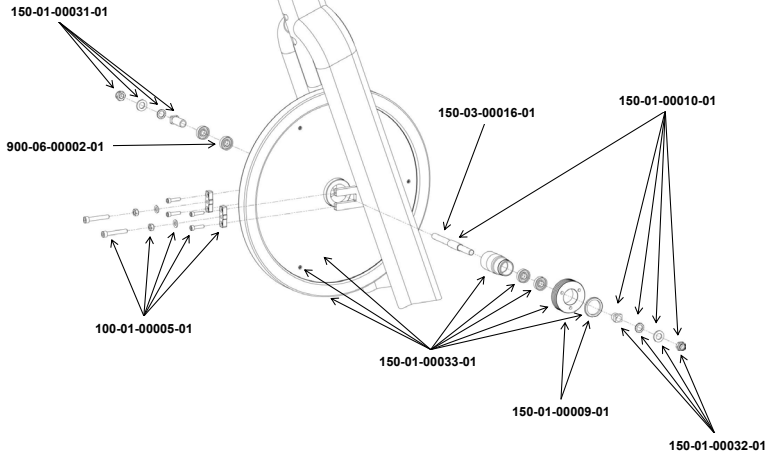
### Drive Gear Parts



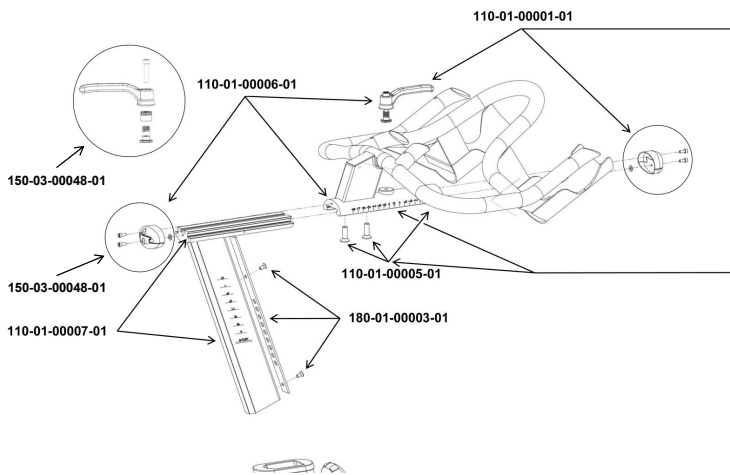
### Brake parts



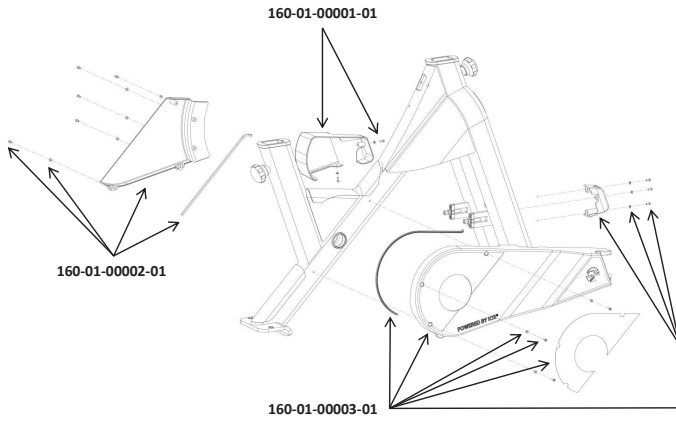
### Flywheel



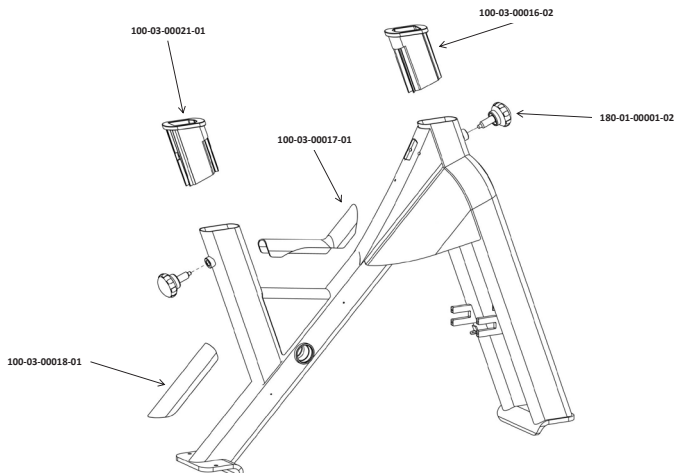
### Handlebar



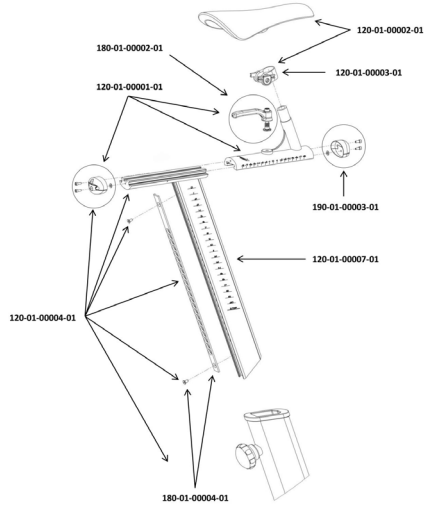
### Chain Guard



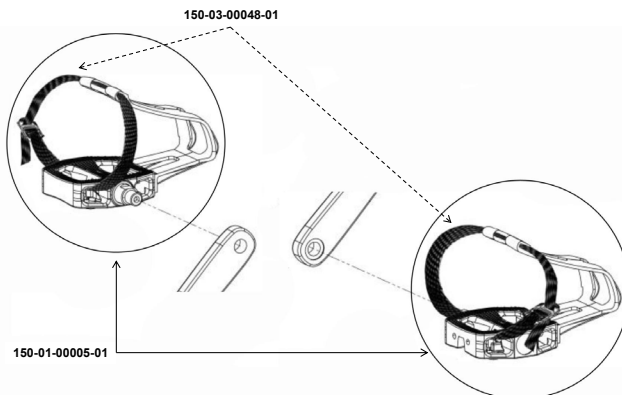
### Frame



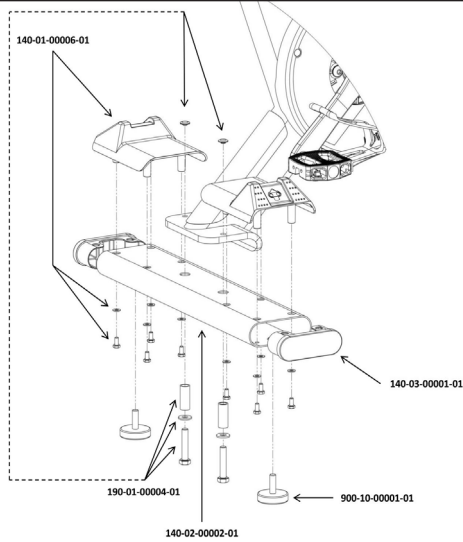
### Saddle Support



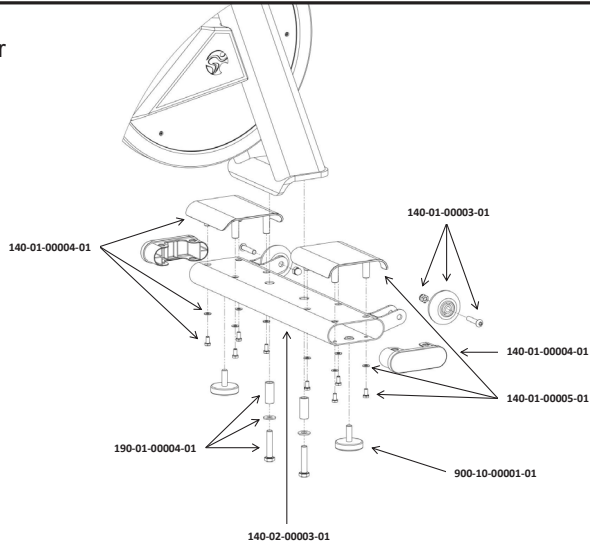
### Pedals



### Rear Stabilizer



### Front Stabilizer



# MATRIX

	Spare Part No.	Description
Brake	130-01-00001-01	<b>UPPER BRAKE ROD ASSEMBLY:</b> BRAKE ADJUSTMENT KNOB 1x NUT, M10 x 1.5P, ss304 STAINLESS STEEL, DIN934/ ISO4032 1x BRAKE ROD 1x ADJUSTMENT BALL 1x
	130-03-00001-01	<b>BRAKE ADJUSTMENT KNOB</b>
	130-01-00007-01	<b>LOWER BRAKE KIT:</b> BRAKE ROD FRAME FITTING 1x WASHER, 22mm x 10mm x 2mm, ss304 STAINLESS STEEL, DIN125 / ISO 7090 1x COMPRESSION SPRING, 16mm x 30mm x 1.5mm, LOWER BRAKE ROD 1x WASHER, 30mm x 10.5mm x 2mm, ss 304 STAINLESS STEEL, DIN9021 / ISO 7093 1x
	130-01-00008-01	<b>BRAKE ADJUSTMENT DRUM KIT:</b> ADJUSTMENT DRUM 1x FLAT NUT, M10 x 0.75P, ss304 STAINLESS STEEL, DIN439/ ISO4035 2x
	130-01-00003-01	<b>EMERGENCY BRAKE HANDLE KIT:</b> EMERGENCY Brake HANDLE 1x SELF LOCKING NUT, M6 x 1.0P, ss304 STAINLESS STEEL, DIN985/ ISO7040 1x WASHER, 12mm x 6,4mm x 1,6mm, ss304 STAINLESS STEEL, DIN125/ ISO7090 2x WASHER, 12mm x 6,4mm x 1,6mm, NYLON, DIN125/ ISO7090 2x PHILIPS HEAD MACHINE SCREW, M6 x 55 x 1.0P, ss304 STAINLESS STEEL, DIN7985H/ ISO7045 1x
	130-01-00004-01	<b>BELL CRANK KIT - LOWER BRAKE YOKE:</b> BELL CRANK 1x SPACER, 6.1mm x 10.2mm x 10mm 1x HEX SOCKET HEAD BOLT, M6 x20 x 1.0P, ss304 STAINLESS STEEL, DIN912/ ISO4762 1x SELF LOCKING NUT, M6 x 1.0P, #ss304 STAINLESS STEEL, DIN985/ ISO7040 1x
	130-01-00005-01	<b>BRAKE PAD Kit:</b> SPACER, 6.1mm x 10.2mm x 10mm 1x HEX SOCKET HEAD BOLT, M6 x20 x 1.0P, ss304 STAINLESS STEEL, DIN912/ ISO4762 1x SELF LOCKING NUT, M6 x 1.0P, #ss304 STAINLESS STEEL, DIN985/ ISO7040 1x BRAKE PAD ASSEMBLY 1x
Chain Guard	160-01-00001-01	<b>LEFT SIDE FW HUB COVER KIT:</b> LEFT SIDE FW HUB COVER 1x ALLEN BOLT, M4 x10 x 0.7P, ss304 STAINLESS STEEL, DIN912/ ISO4762 2x
	160-01-00002-01	<b>INNER CHAIN GUARD KIT:</b> „INNER CHAIN GUARD 1x RUBBER GASKET INNER CHAIN GUARD 1x ALLEN BOLT, M4 x10 x 0.7P, ss304 STAINLESS STEEL, DIN912/ ISO4762 5x“

# MATRIX

	Spare Part No.	Description
Chain Guard	160-01-00003-01	<b>OUTER CHAIN GUARD KIT:</b> RUBBER GASKET OUTER CHAIN GUARD 1x OUTER CHAIN GUARD 1x OUTER CHAIN GUARD DECAL 1x OUTER CHAIN GUARD FRONT COVER 1x ALLEN BOLT, M4 x10 x 0.7P, ss304 STAINLESS STEEL, DIN912/ ISO4762 6x
Drive Gear	150-03-00003-01	<b>Left Crank Arm, Red</b>
	150-03-00008-01	<b>Right Crank Arm, Red</b>
	150-01-00006-01	<b>BOTTOM BRACKET KIT:</b> Crank Mounting Bolt; M8x20x1.25P 2x Rubber Cover For M20 Locking Nut 1x LOCKING NUT, M20 x 1.0P, 8.9 Steel, DIN982/ISO10512 1x BB BEARING DISTANCE SPACER, 24mm x 20mm x 12mm 1x BALL BEARING, 6004 2z, 42mm x 20mm x 12mm 2x BOTTOM BRACKET SPINDLE 1x
	900-00-90008-20	<b>Crank Mounting Bolt; M8x20x1,25P</b>
	900-01-05020-01	<b>LOCKING NUT, M20 x 1.0P, 8.9 STEEL, DIN982/ISO10512</b>
	900-06-00001-01	<b>BALL BEARING, 6004 2z, 42mm x 20mm x 12mm</b>
	150-02-00001-01	<b>BOTTOM BRACKET SPINDLE</b>
	150-01-00008-01	<b>CRANK PULLEY MOUNTING SET:</b> WASHER, 10.5mm x 20mm x 1.5mm, ss304 STAINLESS STEEL, DIN 125 /ISO 7089 4x BOTTOM HEAD BOLT, HEX SOCKET, M10 x 20 x 1.5P, ss304 Stainless Steel, DIN7346/ ISO738 4x
	150-01-00007-01	<b>CRANK PULLEY KIT FOR V-BELT DRIVE:</b> WASHER, 22mm x 10mm x 2.0mm, ss304 STAINLESS STEEL, DIN125 / ISO 7089 4x BUTTON HEAD BOLT, HEX SOCKET, M10 x 20 x 1.5P, ss304 STAIN- LESS STEEL, DIN 7346 / ISO 7380 4x PL4 CRANK PULLEY 1x
	150-03-00007-01	<b>PL4 CRANK PULLEY</b>
	150-03-00001-01	<b>Poly V Belt PL4 1397</b>
Flywheel	900-06-00002-01	<b>BALL BEARING, 6001 2z, 28mm x 12mm x 8mm</b>
	150-01-00010-01	<b>FLYWHEEL AXLE ASSEMBLY:</b> FLYWHEEL AXLE 1x SELF LOCKING NUT, M12 x 1.0P, STEEL, DIN985/ ISO10511 2x WASHER, 24mm x 13mm x 2.5mm, STEEL, DIN125 / ISO 7089 2x SERRATED LOCK WASHER, 20.5mm x 12.5mm x 1.0mm, STEEL, DIN6798 2x FW AXLE DISTANCE SLEEVE, LEFT SIDE (39mm) 1x FW AXLE DISTANCE SLEEVE, RIGHT SIDE (17mm) 1x
	150-03-00016-01	<b>FLYWHEEL AXLE</b>

# MATRIX

	Spare Part No.	Description
Flywheel	150-01-00033-01	<b>FW WHEEL ASSEMBLY FOR V-BELT DRIVE:</b> FW HUB 1x SELF TAPPING SCREW 4 x 12mm, STEEL, DIN EN ISO 6x BALL BEARING, 6001 2z, 28mm x 12mm x 8mm 4x FW PLASTIC COVER LEFT AND RIGHT 2x FW PULLEY LOCK RING 1x POLY V PL4 FW HUB PULLEY 1x FW COVER DECAL SET 1x FLYWHEEL 1x
	150-01-00031-01	<b>FLYWHEEL MOUNTING KIT LEFT:</b> SELF LOCKING NUT, M12 x 1.0P, STEEL, DIN985/ ISO10511 1x WASHER, 24mm x 13mm x 2.5mm, STEEL, DIN125 / ISO 7089 1x SERRATED LOCK WASHER, 20.5mm x 12.5mm x 1.0mm, STEEL, DIN6798 1x FW AXLE DISTANCE SLEEVE, LEFT SIDE (39mm) 1x
	150-01-00032-01	<b>FLYWHEEL MOUNTING KIT RIGHT:</b> SELF LOCKING NUT, M12 x 1.0P, STEEL, DIN985/ ISO10511 1x WASHER, 24mm x 13mm x 2.5mm, STEEL, DIN125 / ISO 7089 1x SERRATED LOCK WASHER, 20.5mm x 12.5mm x 1.0mm, STEEL, DIN6798 1x FW AXLE DISTANCE SLEEVE, RIGHT SIDE (17mm) 1x
	100-01-00005-01	<b>FW BRACKET ADJUSTMENT KIT:</b> ALLEN BOLT, M8 x 50 x 1.25P, 8.8 STEEL, DIN912/ISO4762 1x NUT, M8 x 1.25P, 8.8 STEEL, DIN934/ ISO4032 1x BOTTOM HEAD BOLT, M6 x 16 x 1.0P, STEEL, DIN7346/ ISO7380 2x LOCKING PLATE FOR FW BRACKET 1x
	150-01-00009-01	<b>FRONT PULLEY ASSEMBLY FOR V-BELT DRIVE:</b> FL PULLEY LOCK RING 1x POLY V PL4 FW HUB PULLEY 1x
Frame	100-03-00016-02	<b>INLAY SLEEVE HB TUBE</b>
	100-03-00017-01	<b>PROTECTION COVER - BB TRIANGLE</b>
	100-03-00018-01	<b>PROTECTION COVER - REAR LATERAL FRAME TUBE</b>
	100-03-00021-01	<b>INLAY SLEEVE SEATPOST TUBE</b>
	100-09-00010-01	<b>MX FRAME DECAL SET IC3:</b> DECAL - WARNING LABEL 1x DECAL MX - FRONT FORK BADGE 2x DECAL TRIBAL - FRONT COVER - TRANSFER BADGE 1x DECAL IC3 - SEAT POST TUBE - ALUMINIUM BADGE (LEFT) 1x DECAL IC3 - SEAT POST TUBE - ALUMINIUM BADGE (RIGHT) 1x
	100-09-00003-01	<b>DECAL TRIBAL - FRONT COVER - TRANSFER BADGE</b>
	180-01-00001-02	<b>POP PIN ADJUSTMENT KNOB</b>

# MATRIX

	Spare Part No.	Description
Handle Bar	110-01-00001-01	<b>UPPER HANDLEBAR ASSEMBLY</b> UPPER HANDLEBAR WELDMENT 1x COUNTER SUNK HEX SOCKET BOLT, M8 x 25 x 1.0P, 9.8 STEEL, DIN7991/ ISO10642 2x ADJUSTMENT LEVER ASSEMBLY 1x HB SLIDER WELDMENT 1x PLASTIC END CAP UPPER HB + SB SLIDER 2x ALLEN BOLT, M4 x10 x 0.7P, ss304 STAINLESS STEEL, DIN912/ ISO4762 2x
	110-01-00005-01	<b>UPPER HANDLEBAR KIT:</b> UPPER HANDLEBAR WELDMENT 1x COUNTER SUNK HEX SOCKET BOLT, M8 x 25 x 1.0P, 9.8 STEEL, DIN7991/ ISO10642 2x
	110-01-00006-01	<b>Upper HB SLIDER ASSEMBLY:</b> ADJUSTMENT LEVER ASSEMBLY 1x HB SLIDER WELDMENT 1x PLASTIC END CAP UPPER HB + SP SLIDER 2x ALLEN BOLT, M4 x10 x 0.7P, ss304 STAINLESS STEEL, DIN912/ ISO4762 2x
	110-01-00007-01	<b>HB STEM ASSEMBLY:</b> Plastic Glider 2x HB Stem Weldment 1x
	180-01-00003-01	<b>PROTECTION INSERT KIT, VERTICAL HB STEM:</b> PROTECTION INSERT, VERTICAL HB STEM 1x COUNTER SUNK HEX SOCKET, M5 x 10 x 0.8P, ss304 STAINLESS STEEL, DIN7991/ ISO10642 2x
	180-01-00002-01	<b>ADJUSTMENT LEVER ASSEMBLY</b>
	190-01-00003-01	<b>PLASTIC END CAP KIT FOR HORIZONTAL HB + SP SLIDER:</b> PLASTIC END CAP UPPER HB + SP SLIDER 1x WASHER, 5.3mm x 10mm x 1.0mm, ss304 STAINLESS STEEL, DIN 125 / ISO 7090 1x PLASTIC END CAP LOWER HB + SP SLIDER 1x ALLEN BOLT, M4 x10 x 0.7P, ss304 STAINLESS STEEL, DIN912/ ISO4762 2x
Seat Post	120-01-00007-01	<b>SEAT POST STEM ASSEMBLY:</b> Plastic Glider 2x SP Stem Weldment 1x
	180-01-00002-01	<b>ADJUSTMENT LEVER ASSEMBLY</b>
	190-01-00003-01	<b>PLASTIC END CAP KIT FOR HORIZONTAL HB + SP SLIDER:</b> PLASTIC END CAP UPPER HB + SP SLIDER 1x WASHER, 5.3mm x 10mm x 1.0mm, ss304 STAINLESS STEEL, DIN 125 / ISO 7090 1x PLASTIC END CAP LOWER HB + SP SLIDER 1x ALLEN BOLT, M4 x10 x 0.7P, ss304 STAINLESS STEEL, DIN912/ ISO4762 2x
	120-01-00002-01	<b>SADDLE INCL. SADDLE CLAMP , VELO NR: VL-3125SW:</b> SADDLE 1x SADDLE CLAMP 1x
	120-01-00003-01	<b>SADDLE CLAMP</b>

# MATRIX

	Spare Part No.	Description
Seat Post	120-01-00001-01	<b>SP SLIDER ASSEMBLY:</b> SP SLIDER WELDMENT 1x ADJUSTMENT LEVER ASSEMBLY 1x PLASTIC END CAP UPPER HB + SP SLIDER 2x ALLEN BOLT, M4 x10 x 0.7P, ss304 STAINLESS STEEL, DIN912/ ISO4762 2x
	120-01-00004-01	<b>SEATPOST ASSEMBLY:</b> ALLEN BOLT, M4 x10 x 0.7P, ss304 STAINLESS STEEL, DIN912/ ISO4762 2x WASHER, 5.3mm x 10mm x 1.0mm, ss304 STAINLESS STEEL, DIN 125 / ISO 7090 2x PLASTIC END CAP LOWER HB + SP SLIDER 2x COUNTER SUNK HEX SOCKET, M5 x 10 x 0.8P, ss304 STAINLESS STEEL, DIN7991/ ISO10642 2x
Stabilizer	190-01-00004-01	<b>STABILIZER MOUNTING KIT:</b> HEX HEAD BOLT M10 x 50 x 1.0P, ss304 STAINLESS STEEL, DIN933 / ISO4017 1x WASHER, 22mm x 10.5mm x 2.0mm, ss304 STAINLESS STEEL, DIN125/ ISO7089 1x DISTANCE SLEEVE, 11.9mm x 15.9mm x 38mm, blk oxide steel 1x PLASTIC POP OUT - STABILIZER MOUNTING BRACKET 1x
	140-03-00001-01	<b>STABILIZER END CAP</b>
	900-10-00001-01	<b>LEVELLING FEET, RUBBER</b>
	140-01-00006-01	<b>REAR STABILIZER STRETCH PLATE KIT:</b> WASHER, 12mm x 6.4mm x 1.6mm, BLK OXIDE STEEL, DIN125/ ISO7090 4x HEX HEAD BOLT, M6 x 12 x 1.0P, BLK OXIDE STEEL, DIN933 / ISO4017 4x REAR STABILIZER STRETCH PLATE 1x
	140-02-00002-01	<b>REAR STABILIZER WELDMENT</b>
	140-01-00004-01	<b>FRONT STABILIZER PROTECTION PLATE KIT, LEFT:</b> WASHER, 12mm x 6.4mm x 1.6mm, BLK OXIDE STEEL, DIN125/ ISO7090 4x HEX HEAD BOLT, M6 x 12 x 1.0P, BLK OXIDE STEEL, DIN933 / ISO4017 4x FRONT STABILIZER PROTECTION PLATE, LEFT 1x
	140-01-00005-01	<b>FRONT STABILIZER PROTECTION PLATE KIT, RIGHT:</b> WASHER, 12mm x 6.4mm x 1.6mm, BLK OXIDE STEEL, DIN125/ ISO7090 4x HEX HEAD BOLT, M6 x 12 x 1.0P, BLK OXIDE STEEL, DIN933 / ISO4017 4x FRONT STABILIZER PROTECTION PLATE, RIGHT 1x
	140-02-00003-01	<b>FRONT STABILIZER WELDMENT</b>
	140-01-00003-01	<b>TRANSPORTATION WHEEL ASSEMBLY:</b> BUTTON HEAD SLEEVE WITH INTERNAL THREAD, HEX SOCKET, M8 x35 x 1.5P, ss304 STAINLESS STEEL 1x BUTTON HEAD BOLT, HEX SOCKET, M8 x12 x 1.5P, ss304 STAIN- LESS STEEL, ISO7380 1x TRANSPORT WHEEL 1x

Matrix Fitness System Corp. warrants that all new equipment will be free of manufacturing defects in workmanship and materials, effective on the date of original installation. Parts repaired or replaced under the terms of this warranty will be warranted for the remainder of the original warranty period only. **Warranty may vary by region or country.** Please contact [www.matrixfitness.com](http://www.matrixfitness.com).

**Defects caused by inappropriate use or handling of the product may cause denegation of the manufacturer warranty.**

### LIMITED WARRANTY Matrix IC3

- |                          |  |
|--------------------------|--|
| <b>10-year warranty:</b> | Frame construction and welding   |
| <b>3-year warranty :</b> | Handlebar and saddle assembly, brake system (excluding brake pad), lever handles and knobs, cranks, belt drive system, bottom bracket assembly, flywheel and hub assembly, powder coating. |
| <b>2-year warranty :</b> | Pedals, insert sleeves for handle bar and saddle post, leveling feet.  |
| <b>1-year warranty:</b>  | Saddle construction  |

**The following wear items are excluded from warranty:**

Pedal straps, pedal binding system, brake pad, saddle surface





## Matrix IC3

Modelo n°:  
IC-MXIC3B-01

Fabricado por:  
Indoorcycling Group GmbH  
Happurger Str. 86  
90482 Nuremberg | Germany  
[www.indoorcycling.com](http://www.indoorcycling.com)  
[info@indoorcycling.com](mailto:info@indoorcycling.com)

### **MATRIX Fitness Systems Corp.**

1610 Landmark Drive  
Cottage Grove, WI 53527  
Toll-free: 866.693.4863  
Local: 608.839.8686  
[www.matrixfitness.com](http://www.matrixfitness.com)

### **Nota Importante:**

Lea todas las instrucciones y precauciones contenidas en este manual antes de la puesta en servicio de la bicicleta y observe todas las instrucciones descritas para el montaje, mantenimiento y funcionamiento de la bicicleta.

**¡El uso y manejo inapropiado, montaje incorrecto y la falta de mantenimiento pueden derivar en la cancelación de la garantía!**

Advertencias Importantes	3
Antes de comenzar	4
Montaje de la bici Indoor Matrix IC3	5-7
Comprobaciones iniciales de montaje	8
Cómo ajustar la bici Indoor Matrix IC3	9-11
Cómo manejar la bici Indoor Matrix IC3	12
Mantenimiento preventivo	13
Mantenimiento diario	13
Mantenimiento semanal	13
Mantenimiento cada dos semanas	14-15
Mantenimiento mensual	15-16
Plan de mantenimiento y lista de revisiones	17-18
Dibujos de los componentes y módulos	19-23
Lista de piezas de recambio	24-28
Garantía	29

### Especificaciones técnicas

La bicicleta Matrix IC3 corresponde, conforme a EN 957, a la clase de usuario S y está clasificada para el uso en un entorno controlado, como por ejemplo en centros deportivos y gimnasios bajo la dirección de un entrenador o instructor.

Peso de la bicicleta:	57 kg
Peso máximo del usuario:	130 kg
Superficie de apoyo requerida:	52 x 120 cm
Altura máxima del manillar:	115 cm
Altura máxima del sillín:	115 cm

La bicicleta está diseñada para acomodarse a usuarios de una talla de entre 150 a 205 cm / 59.1 to 81.7 inch

## ADVERTENCIAS IMPORTANTES

### ¡ADVERTENCIA!

Para reducir el riesgo de lesiones por un manejo inadecuado de la bici, por favor lea atentamente y observe las siguientes advertencias e informaciones de seguridad antes de empezar a usar la bici Indoor Matrix IC3.

1. El propietario es el único responsable de asegurar que todos los usuarios de la bici Indoor Matrix IC3 hayan sido informados sobre cada una de las precauciones y advertencias de seguridad.
2. El montaje y mantenimiento de la bici Indoor Matrix IC3 sólo deben ser llevados a cabo como se describe en este manual.
3. No utilice la bici Indoor Matrix IC3 hasta que haya sido montada correctamente (págs 5-7).
4. Mantenga la bici en el interior, alejada de la humedad y polvo. No almacene la bici Indoor Matrix IC3 en un garage, terraza cubierta o cerca de lugares con agua y humedades.
5. Sitúe la bici Indoor Matrix IC3 sobre una superficie plana y nivelada. Coloque una alfombrilla antideslizante entre el suelo y la bici para evitar daños en el suelo. Asegúrese que haya suficiente espacio alrededor de la bici para montar, desmontar y pedalear sin peligro.
6. Inspeccione y apriete todos los componentes de la bici Indoor Matrix IC3 periódicamente tal y como se describe en este manual. Por favor reemplace las piezas defectuosas inmediatamente y no utilice la bici hasta que la reparación haya concluido. Utilice solamente piezas originales del fabricante.
7. Los jóvenes menores de 14 años sólo deben utilizar la bici Indoor Matrix IC3 previo consentimiento paterno además de ser supervisados por un instructor o entrenador cualificado.
8. La bici Indoor Matrix IC3, no debe ser usada por personas con un peso superior a 130 Kg.
9. Utilice siempre ropa y calzado de deporte apropiado mientras utiliza la bici Indoor Matrix IC3. No utilice ropas holgadas ni cordones de zapatillas desatados que puedan engancharse con las partes fijas y móviles de la bici Indoor Matrix IC3.
10. Antes de utilizar la bici Indoor Matrix IC3, asegúrese de estar familiarizado con su manejo. (págs 8-12).
11. Las bicis Indoor Matrix IC3 no disponen de volante de inercia libre, los pedales seguirán moviéndose junto con el volante de inercia hasta que éste se detenga.
12. Ajuste la resistencia del volante de inercia para mantener un pedaleo controlado (pág.12).
13. Mantenga su espalda recta y no arqueada mientras utiliza la bici Indoor Matrix IC3.
14. Si sintiese dolor o mareos durante el ejercicio, deténgase inmediatamente y descanse.
15. Utilice solamente piezas suministradas por el fabricante cuando necesite reemplazar piezas.

### ADVERTENCIA:

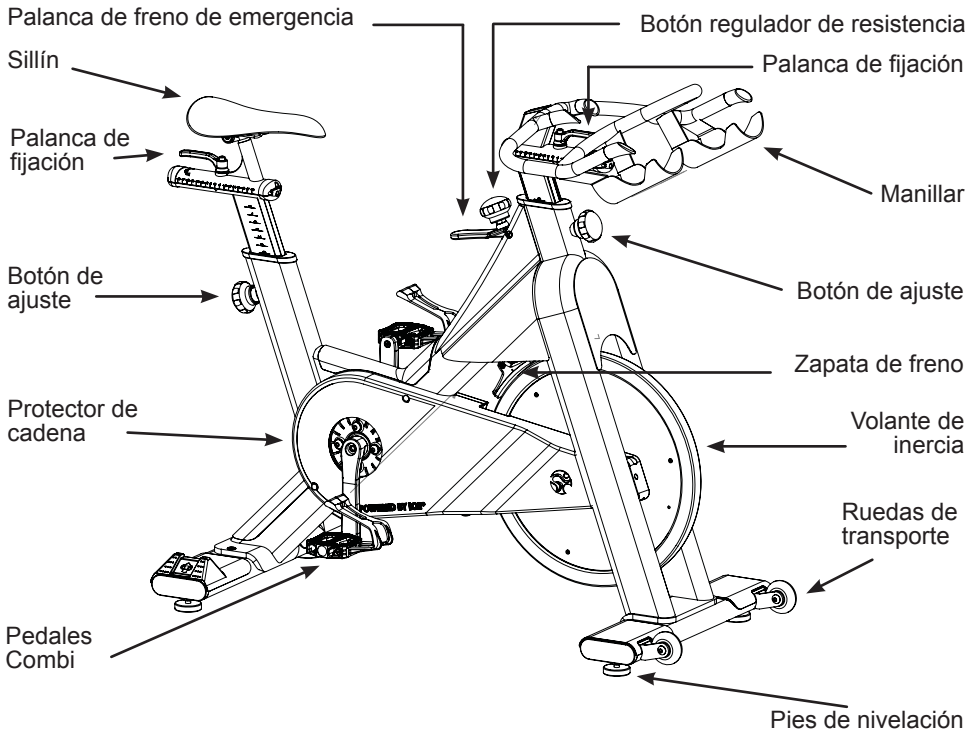
Antes de empezar un programa de ejercicio, consulte a su médico. Esto es especialmente importante para personas con más de 35 años o con personas con problemas pre-existentes de salud. Lea todas las instrucciones antes de su utilización. Un entrenamiento incorrecto o excesivo puede causar serias lesiones. El fabricante no asume responsabilidad por daños personales ni materiales como consecuencia de un uso inapropiado de este producto.

Estimado cliente:

En primer lugar queremos darle las gracias por su confianza y felicitarle por la compra de esta bici Indoor Matrix IC3. La bici Indoor Matrix IC3 ofrece una impresionante variedad de características diseñadas para mejorar el estado cardiovascular, tono muscular y mejora de la resistencia. Ya sean principiantes o deportistas experimentados, la bici Indoor Matrix IC3 ofrece entrenamientos que ayudarán a cada usuario a alcanzar sus objetivos deportivos.

**IMPORTANTE: Léa cuidadosamente este manual antes de montar o usar la bici Indoor Matrix IC3.**

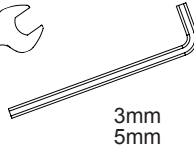
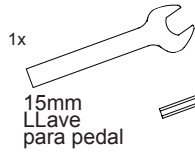
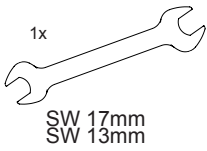
Si tiene alguna pregunta después de haber leído este manual, por favor contacte con Indoorcycling Group GmbH o visite la página [www.indoorcycling.com](http://www.indoorcycling.com). Antes de continuar leyendo, por favor familiarícese con las partes y correspondientes nombres detallados en el siguiente dibujo.



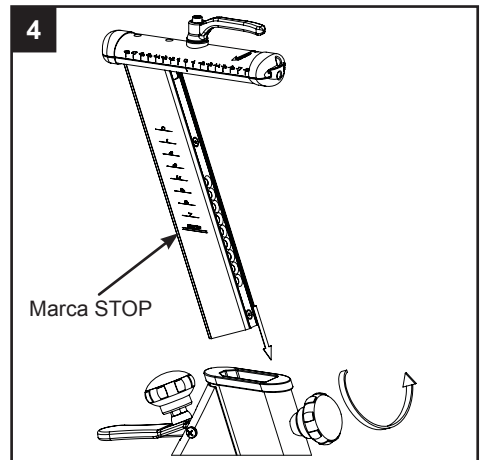
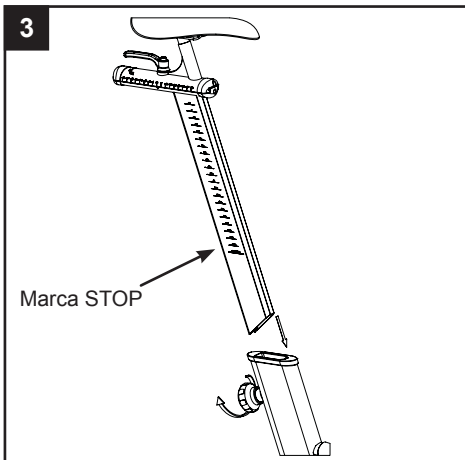
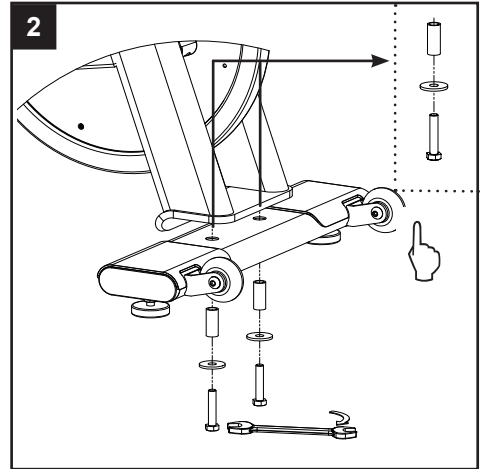
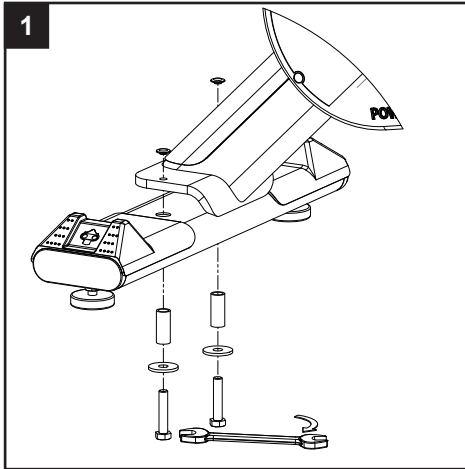
Encontrará el código de producción en el lado izquierdo de la bici Indoor Matrix IC3 (parte inferior del cuadro). Por favor consulte este número en los listados de servicio y mantenimiento.

# MATRIX

## MONTAJE DE LA BICI INDOOR Matrix IC3



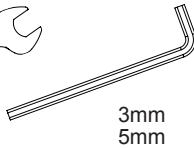
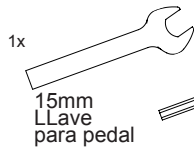
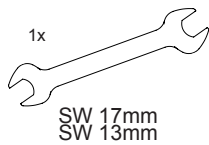
Apretado  
a mano



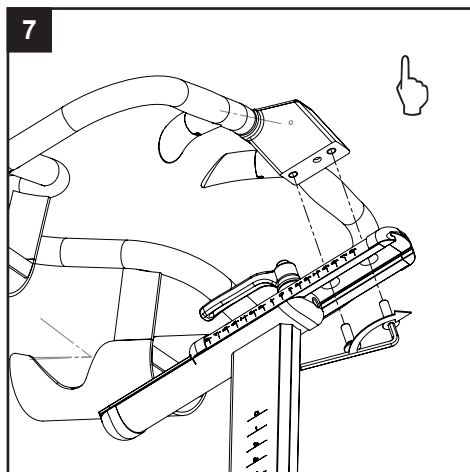
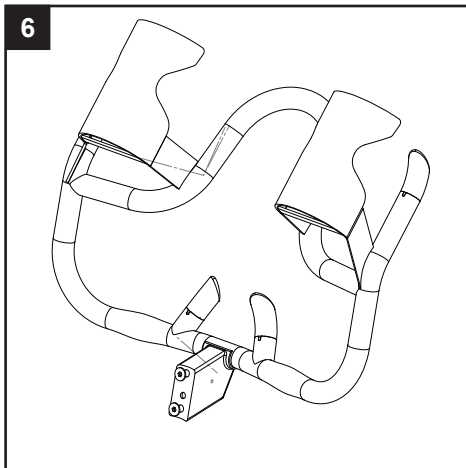
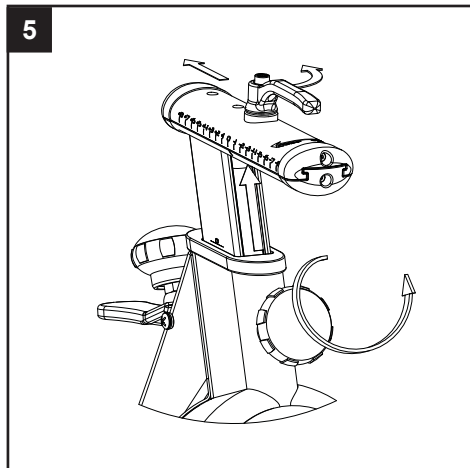
**Importante:** Por favor asegúrese de apretar las tuercas de ajuste con fuerza para evitar que se suelten durante el uso.

# MATRIX

## MONTAJE DE LA BICI INDOOR Matrix IC3

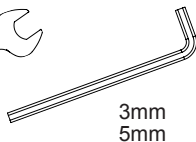
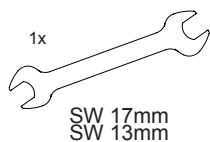


Apretado  
a mano

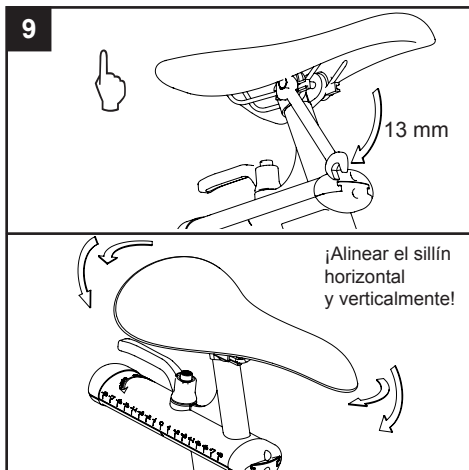
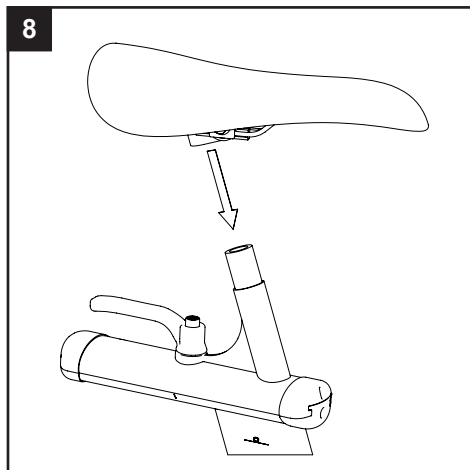


# MATRIX

## MONTAJE DE LA BICI INDOOR Matrix IC3



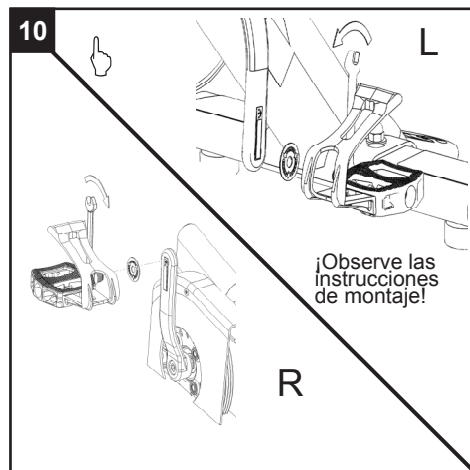
Apretado  
a mano



### ¡Importante!

Asegúrese de alinear el sillín A NIVEL EN POSICIÓN HORIZONTAL Y VERTICAL.

Asegúrese de apretar fuertemente la abrazadera del sillín por ambos lados con la llave fija de 13mm, para evitar que el sillín se mueva durante el uso.



### ¡IMPORTANTE!

Pedal derecho, marcado con la letra (R), ha de ser montado en sentido horario en la biela derecha (R). Pedal izquierdo, marcado con la letra (L), ha de ser montado en sentido antihorario en la biela izquierda (L).

Preste atención a que los pedales estén bien montados y apretados para evitar que se suelten durante el pedaleo.

## COMPROBACIONES INICIALES DE MONTAJE

Los ajustes deben realizarse durante la instalación inicial de la bici indoor Matrix IC3 para garantizar un nivel de rendimiento óptimo y una vida útil de larga duración. Por favor, léa y siga exactamente las siguientes instrucciones. Si las bicis no se instalan y ajustan en la forma descrita, los componentes pueden estar expuestos a un desgaste excesivo y la bici Indoor puede resultar dañada. Para preguntas en relación a la instalación, por favor diríjase a: [service@indoorcycling.com](mailto:service@indoorcycling.com)

**Nota: Para algunos procedimientos de mantenimiento se requieren lubricantes. Como fabricante recomendamos el uso de un spray lubricante sin disolvente, silicona y ácidos (p. ej. BRUNOX) y grasa de litio blanca.**

1. Por favor asegúrese de que la bici Indoor Matrix IC3 esté nivelada. Si se balancea sobre el piso, corrija la nivelación e inclinación ajustando los pies de nivelación debajo del estabilizador delantero y trasero hasta que el movimiento de balanceo quede eliminado. Préstese atención a no desenroscar los pies de nivelación más de 10mm.
2. Compruebe el funcionamiento correcto del freno de emergencia.
3. Calibración del sistema de frenos: Gire el pomo regulador de resistencia en sentido anti-horario hasta el final (efecto mínimo de resistencia) y asegúrese de que haya una leve separación entre la zapata y el volante de inercia. La zapata debe tocar muy levemente el volante de inercia cuando el pomo regulador de resistencia esté girado en sentido anti horario hasta el final.
4. Aplique abundante spray lubricante sobre la zapata de freno usando para ello los orificios de lubricación en la pieza de plástico de la zapata y desde fuera sobre la pastilla de fieltro. Asegúrese de que la zapata está bien empapada con spray lubricante. Después retire el exceso de lubricante del volante de inercia con un paño. \*¡Buena práctica!: Recomendamos que use una botella de rociado recargable y la llene con el **lubricante sin aerosol y libre de disolventes, silicona y ácidos** adquirido a través de su ferretería local más cercana.
5. Aplique grasa de litio sobre las roscas de metal en el extremo inferior del tirante de freno. Primero gire el pomo regulador de resistencia en sentido horario hasta que se detenga. Aplique un poco de grasa de litio sobre las roscas en el tirante de freno encima de las dos tuercas de bloqueo. Después gire el pomo regulador de resistencia en sentido anti horario hasta que se detenga.
6. Aplique grasa de litio en las roscas de metal en todos los pomos de ajuste.
7. Compruebe si los cuatro (4) tornillos Allen de la polea posterior están bien apretados. Si están flojos, aplique pegamento especial sellador para roscas LoCTite 243 y vuelva a apretarlos.
8. Compruebe el apriete de los tornillos de las bielas derecha (R) e izquierda (L). Si están flojos, aplique fijador para roscas LoCTite 243 en las roscas de los tornillos y vuelva a apretarlos.
9. Humedezca un paño con spray lubricante libre de disolventes y limpie el cuadro.
10. Algunas piezas de la bici Indoor Matrix IC3 pueden soltarse durante el transporte. Compruebe las bielas, todos los tornillos expuestos, pernos, tuercas y asegúrese de que estén apretados correctamente.

### Servicio de atención al cliente

1. Entregue al cliente las instrucciones para el mantenimiento básico y haga referencia a las instrucciones de mantenimiento detalladas (págs 13-18).
2. Firme la hoja entregada al cliente como prueba de que se han explicado los procedimientos de mantenimiento y entregado el manual y que se ha hecho una verificación de la condición de las bicis.

## CÓMO AJUSTAR LA BICI INDOOR Matrix IC3

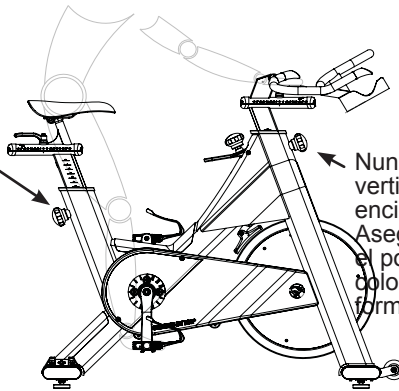
La bici Indoor Matrix IC3 puede ser ajustada de forma muy variable para garantizar un máximo confort y rendimiento durante el ejercicio. Las instrucciones de ajuste que se describen a continuación garantizan una postura ideal del cuerpo adaptándose totalmente a la fisonomía de cada usuario. Cada usuario debe realizar un ajuste personalizado de la bici Indoor Matrix IC3.

### Ajuste de las correas de los pedales:

Móntese en el sillín y coloque sus pies en los pedales, con el eje metatarsal del pie directamente sobre los ejes de los pedales (observe la figura de abajo). Ajuste las correas de los pedales para que los rastrales queden ajustados, pero no fuertemente.

Nota: Cuando monte una bici con sistema de pedales combi, rastrales en un área del pedal y sistema de fijación automático SPD en la otra, podrá utilizar el sistema de fijación automática SPD con zapatillas de ciclista en vez de los rastrales con zapatillas deportivas.

Nunca ajuste la altura vertical del sillín por encima de la marca STOP. Asegúrese además de que el pomo de ajuste está colocado y apretado de forma segura. (ver pág. 5)



Nunca ajuste la altura vertical del manillar por encima de la marca STOP. Asegúrese además de que el pomo de ajuste está colocado y apretado de forma segura. (ver pág. 5)

**Por favor, evite apretar incorrectamente los pomos de ajuste, ya que podría dañar las guías de ajuste de plástico de las tijas del manillar y sillín.**

### Ajuste de la altura del sillín:

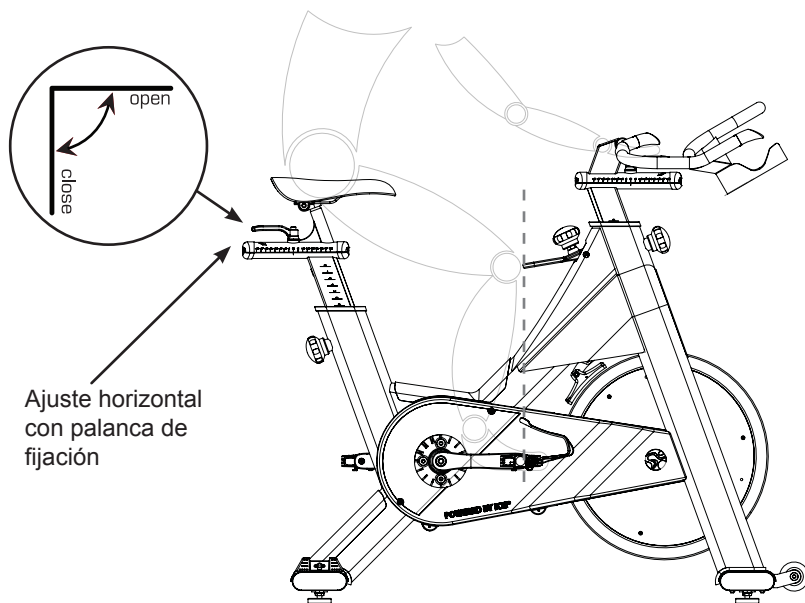
Siéntese en el sillín y pedalee despacio hasta colocar el pedal derecho en la posición más baja. La altura del sillín debe ser ajustada de modo que las rodillas siempre estén ligeramente flexionadas y no se fuerce la posición de la cadera.

**Por favor, no realice ejercicio con las rodillas totalmente estiradas y la cadera ladeada.**

### Ajuste horizontal del sillín:

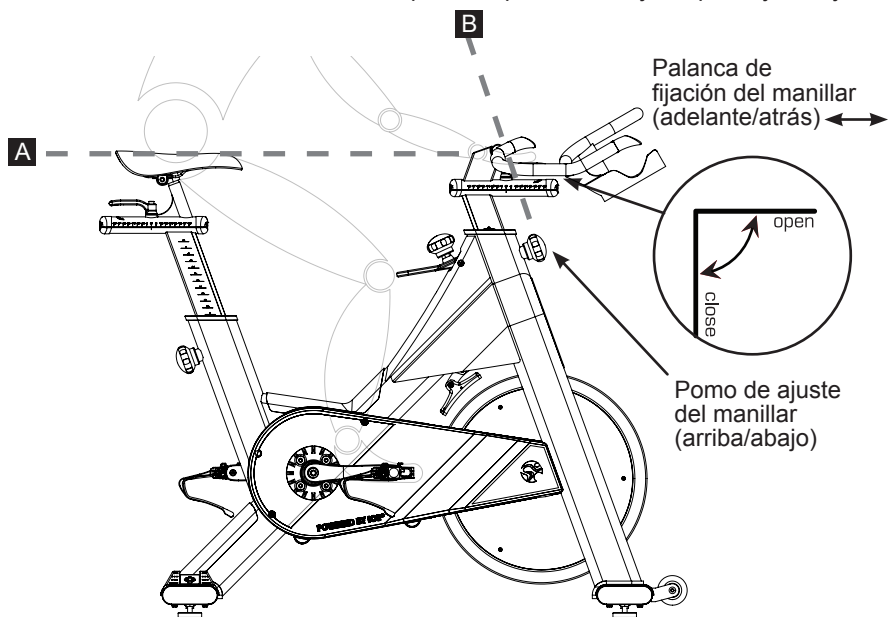
El ajuste horizontal del sillín es muy importante para evitar lesiones en las articulaciones de las rodillas. Móntese en el sillín y pedalee hasta que las bielas estén en posición horizontal.

La rodilla de la pierna delantera flexionada debe hallarse directamente encima del eje del pedal, creando una línea perpendicular entre rodilla y centro del pedal (ver la línea rayada en la ilustración de abajo). Para ajustar la posición horizontal del sillín, desmóntese primero de la bici Indoor Matrix IC3. Después afloje la palanca de fijación trasera, deslice la guía corredera del sillín hasta la posición deseada y vuelva a apretar la palanca de fijación para fijarla.



### Ajuste del manillar:

Comenzar con la parte superior del manillar a la misma altura que la parte superior del sillín o ligeramente superior (**línea rayada A en la imagen inferior**) y la posición neutra en el manillar (**línea rayada B en la imagen inferior**). Si sus rodillas tocan el manillar al pedalear o si experimenta dolor de espalda pedaleando durante un periodo extenso, la altura del manillar puede ser ajustada. Para ello, desmonte primero de la bici Indoor Matrix IC3. Después afloje la palanca de ajuste al frente en sentido anti-horario y deslice el manillar hacia adelante o hacia atrás. Vuelva a apretar la palanca de ajuste para fijar la tija.



A continuación, la posición horizontal del manillar debe ser ajustada. Si el manillar está demasiado cerca del sillín puede ser que se sienta restringido al respirar, y si el manillar está demasiado alejado del sillín puede ser que le duela la espalda. Para ajustar la posición horizontal del manillar, desmonte primero de la bici Indoor Matrix IC3. Para comprobar si la posición del manillar es correcta, apoye el codo del brazo a 90° en la punta del sillín y toque con la punta de su dedo medio el punto central del manillar. Si no es así, afloje la palanca de fijación y deslice el manillar hacia adelante o hacia atrás hasta que su dedo medio toque el manillar en el punto central.

El manillar ofrece múltiples variantes para las posiciones de las manos para así poder ajustarse a las preferencias personales. Cambiando la posición de las manos, cambiará el ángulo de la espalda, cuello y brazos. Cambie la posición de las manos frecuentemente para minimizar sobrecargas musculares durante entrenamientos prolongados.

## CÓMO MANEJAR LA BICI INDOOR Matrix IC3

### Ajuste de la resistencia de freno:

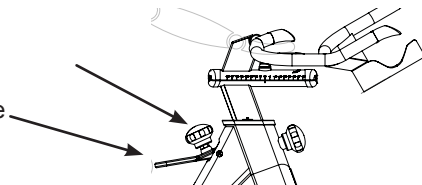
El nivel de pedaleo preferido (resistencia), puede ser ajustado mediante el uso del pomo de resistencia. Para aumentar la resistencia de freno, gire el pomo de resistencia en sentido horario. Para disminuirla, gire el pomo de resistencia en sentido anti-horario.

**IMPORTANTE:** Para detener el volante de inercia mientras pedalea, tire hacia arriba de la palanca roja del freno de emergencia. El volante de inercia se parará por completo. Por favor, asegúrese de que sus zapatillas estén fijadas en los rastrales o que las zapatillas de ciclismo estén conectadas al sistema automático SPD mientras pedalea.

**!** La bici Indoor Matrix IC3 no dispone de volante de inercia libre (rueda). Los pedales seguirán moviéndose junto con el volante de inercia hasta que ésta se detenga. Se precisa una disminución progresiva de la velocidad. Para detener el volante de inercia inmediatamente, tire hacia arriba de la palanca roja del freno de emergencia. Controle y ajuste su correcta cadencia de pedaleo a sus propias habilidades. Tire hacia arriba de la palanca roja del freno de emergencia para realizar una parada de emergencia. **!**

Pomo de resistencia

Palanca roja del freno de emergencia



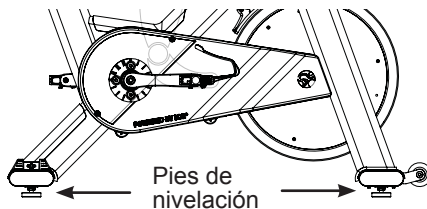
### Cómo mover la bici Indoor Matrix IC3:

Debido al peso de la bici Indoor Matrix IC3, se recomienda que sea movida por dos personas. Para prevenir accidentes y daños es necesario que los ajustes vertical y horizontal del manillar y sillín, sean fijados antes de mover la bicicleta. Mientras una persona eleva la parte trasera de la bici Indoor Matrix IC3, la segunda persona sostiene fijamente el manillar e inclina ligeramente la bicicleta hacia adelante hasta que ruede sobre las ruedas de transporte. Mueva la bici con cuidado hasta su nuevo emplazamiento.

**PRECAUCIÓN:** Para reducir el riesgo de daños, preste mucha atención mientras mueve la bici Indoor. No intente moverla sobre superficies irregulares y asegúrese de mantener una distancia mínima de 50 cm. con los otros equipos.

Si la bici Indoor se balancea una vez está posicionada en el suelo, gire los pies de nivelación (ver diagrama) situados debajo de los estabilizadores delantero o trasero hasta eliminar el balanceo.

**Importante:** Por favor no desenrosque los pies de nivelación más de 1 cm.



## MANTENIMIENTO PREVENTIVO

Debe realizarse un mantenimiento regular de la bici Indoor Matrix IC3 para beneficiarse de un alto nivel de seguridad operativa, buen funcionamiento y vida útil. Por favor lea y siga las instrucciones que se detallan a continuación. Si la bici Indoor no se mantiene como se describe, los componentes pueden deteriorarse en exceso y la bici Indoor Matrix IC3 podría resultar dañada. Un mantenimiento inadecuado anulará las condiciones de garantía. Si tiene preguntas sobre mantenimiento, por favor contacte con su distribuidor oficial o refiérase a [www.indoorcycling.com](http://www.indoorcycling.com).

**Nota: Algunos procesos de mantenimiento requieren spray lubricante. El fabricante recomienda Brunox o cualquier otro libre de disolventes, ácidos y silicona.**

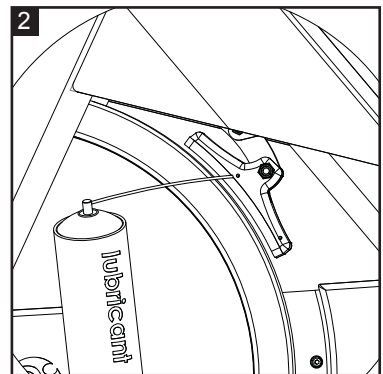
### Mantenimiento diario:

1. Asegúrese de que la bici Indoor Matrix IC3 descansa correctamente en el suelo. Si la bici Indoor Matrix IC3 balancea sobre el piso, corrija la inclinación ajustando los pies de nivelación situados debajo del estabilizador delantero o trasero hasta que el movimiento de balanceo quede eliminado (véa "COMO MANEJAR LA BICI INDOOR Matrix IC3" en la página 12).
2. La limpieza y desinfección periódica de la bici Indoor Matrix IC3 debe realizarse por razones higiénicas, después de cada sesión de ejercicio. Aplique primero un desinfectante sobre el sillín y manillar. Séque el manillar y sillín con un paño suave y sin pelusas. Después aplique una pequeña cantidad de desinfectante sobre un paño y limpie los pomos de ajuste y palancas de fijación. Evite usar detergentes agresivos sobre el cuadro de la bici Indoor Matrix IC3.

### Mantenimiento semanal:

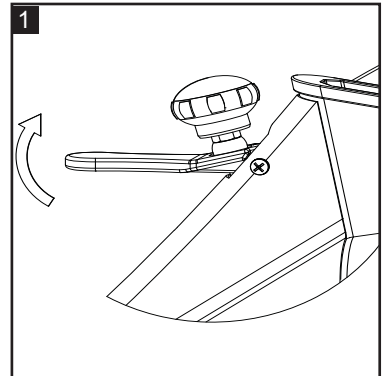
1. Aplique una pequeña cantidad de spray lubricante sobre un paño suave y páselo por el cuadro de la bici, guías horizontales del manillar y sillín, volante de inercia y piezas de plástico de la bici Indoor Matrix IC3.

2. Para garantizar un perfecto funcionamiento del sistema de frenado y minimizar el desgaste de la zapata de freno, éstos tienen que ser tratados con un spray lubricante **libre de disolvente, ácidos y acetona**. Aplicar el spray a través de los orificios previstos al efecto hasta que la zapata del freno esté empapada. Zapatas de freno deshilachadas o con un desgaste desigual son claras señales de que las zapatas están demasiado secas. Lubríquela más a menudo. Después de la operación, limpie el exceso de lubricante.

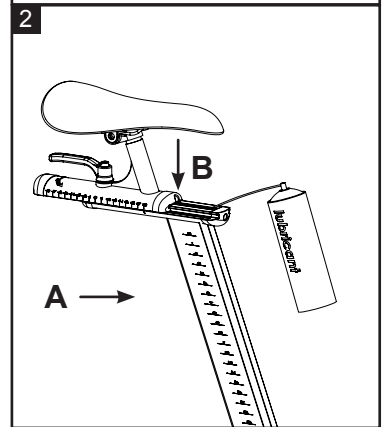


### Mantenimiento cada dos semanas:

1. La bici Indoor Matrix IC3 no debe ser usada si el freno de emergencia no funciona correctamente. Mientras esta sentado y pedalea, compruebe el freno tirando hacia arriba de la palanca del freno de emergencia. El volante de inercia se ha de parar al instante.



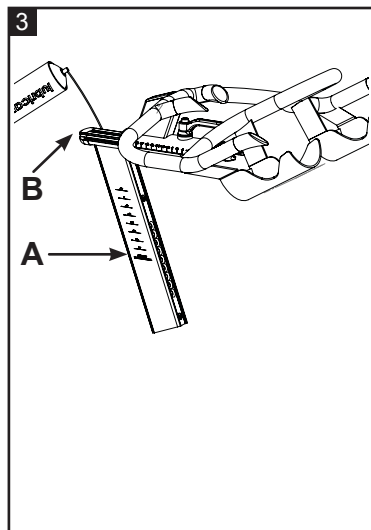
2. Para garantizar un fácil y suave ajuste de la tija del sillín, debe limpiarla y engrasarla regularmente. Gire el pomo de ajuste en sentido anti-horario y extraiga completamente la tija del sillín del cuadro. Aplique una pequeña cantidad de spray lubricante sobre un paño suave y limpie la tija del sillín (A).



A continuación, vuelva a introducir la tija del sillín en el cuadro y ajústela a la altura deseada. Después, afloje la palanca de fijación situada bajo la parte trasera del sillín y desplace el conjunto superior lo más atrás posible. Aplique una pequeña cantidad de spray lubricante sobre un paño suave y limpie la parte superior de la guía (B). Después, desplace el conjunto superior lo más adelante posible y limpie la parte superior de la guía del sillín. Para finalizar, ajuste el sillín a la posición deseada.

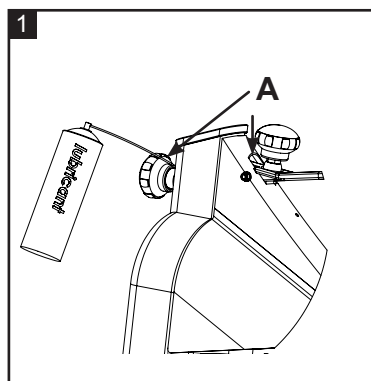
3. Para garantizar un fácil y suave ajuste de la tija del manillar, la tija del manillar ha de ser limpiada y lubricada regularmente. Gire el pomo de ajuste situado al frente en sentido anti-horario y extraiga la tija del manillar del cuadro por completo. Aplique una pequeña cantidad de spray lubricante sobre un paño suave y limpie la tija del manillar **(A)**.

A continuación, vuelva a introducir la tija del manillar en el cuadro y ajústela a la altura deseada. Después, afloje la palanca de fijación situada en la parte delantera de la guía y desplace el conjunto superior lo más atrás posible. Aplique una pequeña cantidad de spray lubricante sobre un paño suave y limpie la parte superior de la guía del manillar **(B)**. Desplace ahora el soporte superior del manillar lo más adelante posible y limpie la parte superior de la guía del manillar. Para finalizar, ajuste el manillar a la posición deseada.

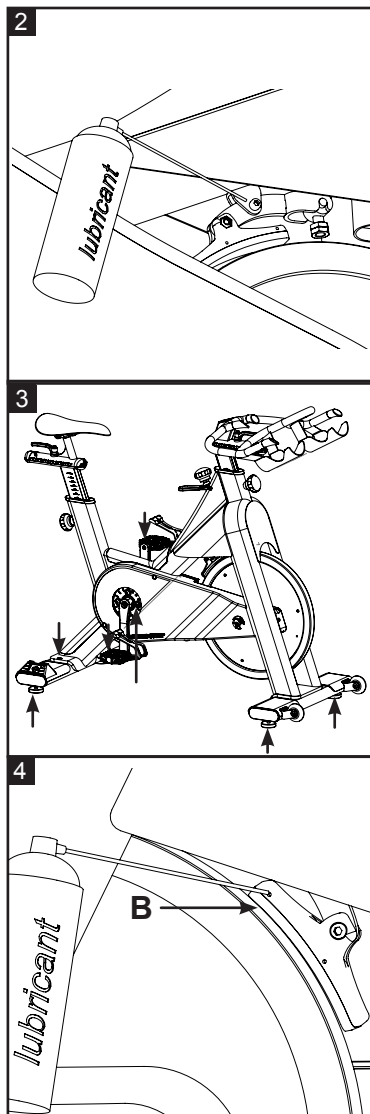


### Mantenimiento mensual

1. Para garantizar el funcionamiento perfecto de los pomos de ajuste del sillín y manillar, las roscas metálicas de los pomos de ajuste han de ser lubricadas **(A)**. Se recomienda engrasarlas con grasa de litio blanca.



2. Para mantener un ajuste suave del sistema de resistencia, es necesario engrasar las roscas de la parte inferior. Primero, gire el pomo de resistencia en sentido horario hasta que se detenga. Después, mire por debajo del lado derecho o izquierdo del cuadro y localice la varilla roscada del sistema de resistencia, la cual tiene 2 tuercas de bloqueo en su extremo inferior. Aplique una pequeña cantidad de grasa sintética (grasa blanca de litio) en la varilla por encima de las 2 tuercas de bloqueo. Después gire el pomo de ajuste en sentido anti-horario hasta que se detenga.
3. Algunas partes de la bici Indoor Matrix IC3 pueden soltarse debido a un uso continuado. Compruebe los pedales, sus fijaciones SPD y rastrales, asegurándose de que estén bien apretados. Revise todos los tornillos y tuercas a la vista y asegúrese de que estén correctamente apretados. Finalmente, compruebe que el sillín no esté suelto ni dañado. Por favor, use Loctite 243 para fijar los tornillos de las bielas y patea.
4. La zapata de freno más tarde o más temprano revelará síntomas de desgaste debido a un uso continuado. La bici Indoor Matrix IC3 no debe utilizarse si el sistema de freno no funciona correctamente (pág. 14). Es necesaria una puesta a punto del sistema de freno una vez se aprecie una función deficiente del mismo. Por favor, compruebe los ajustes del freno como se describe a continuación: Primero gire el pomo de ajuste en sentido anti-horario hasta el final. Si el ajuste es correcto, prácticamente la zapata quedará a la misma altura del volante de inercia, por lo que se consigue una resistencia imperceptible. La zapata de freno puede ajustarse usando una llave fija de 10mm. Después, compruebe la zapata de signos de desgaste. Si la zapata muestra un estado correcto, lubrique la zapata abundantemente a través de sus 2 orificios (B) y después limpie el exceso de lubricante.

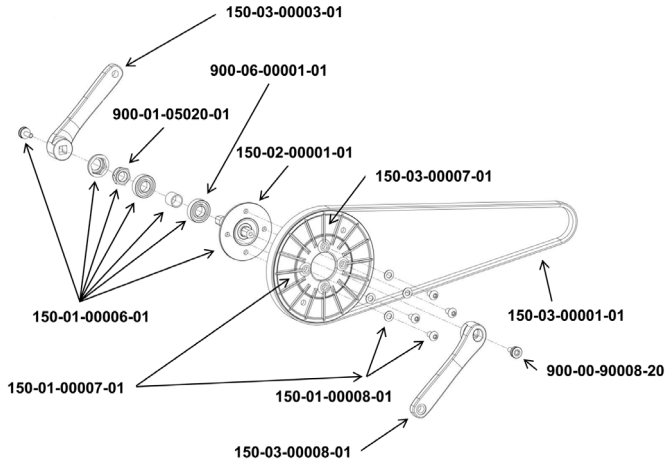




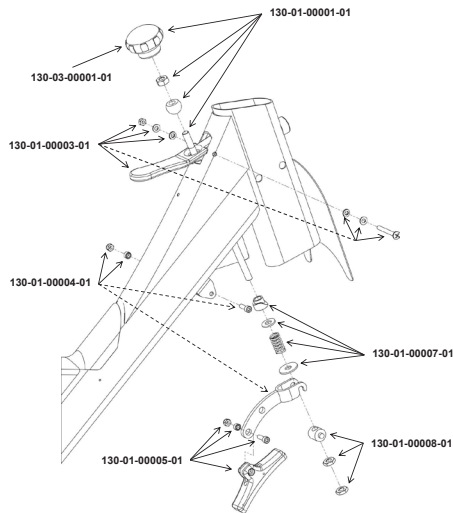


## DIBUJOS DE LOS COMPONENTES Y MÓDULOS

### Conjunto de transmisión

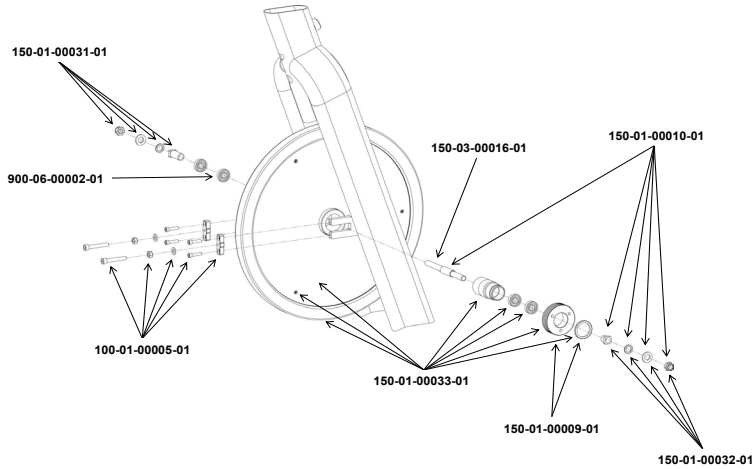


### Sistema de freno

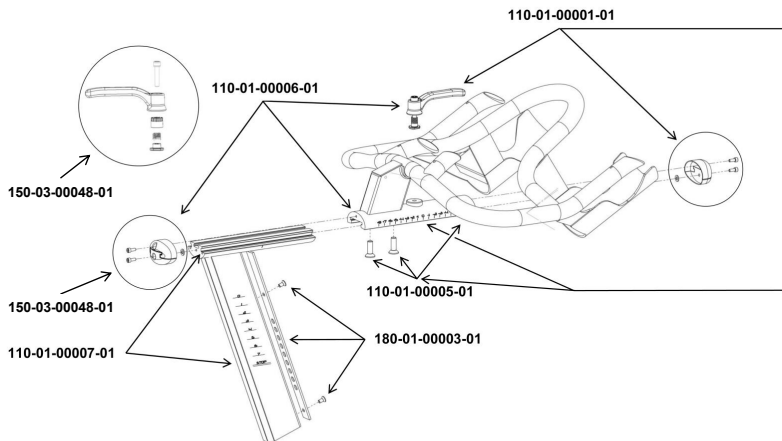


## DIBUJOS DE LOS COMPONENTES Y MÓDULOS

### Volante de inercia

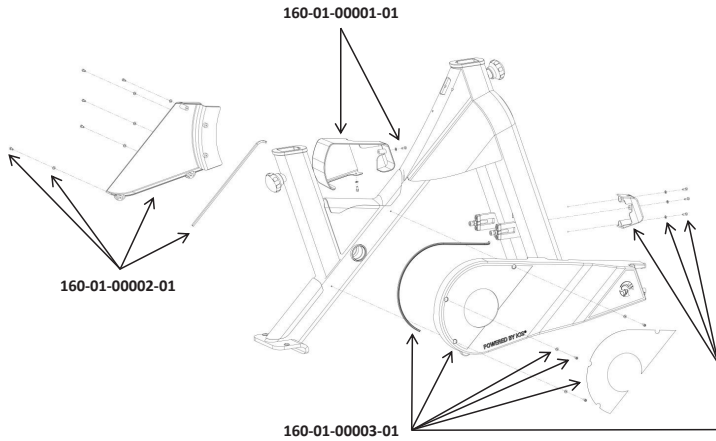


### Conjunto del manillar

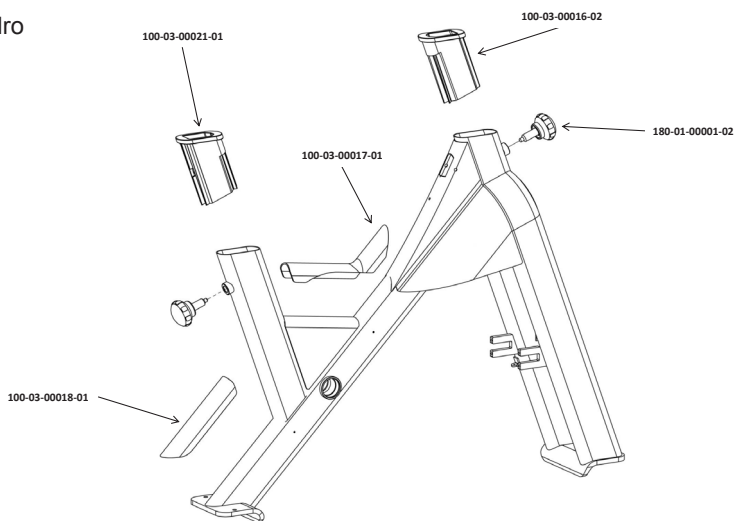


## DIBUJOS DE LOS COMPONENTES Y MÓDULOS

### Protector de cadena

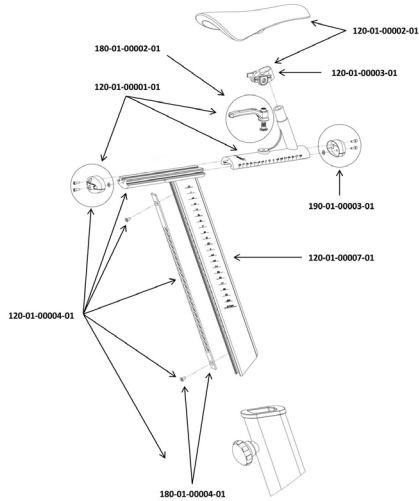


### Cuadro

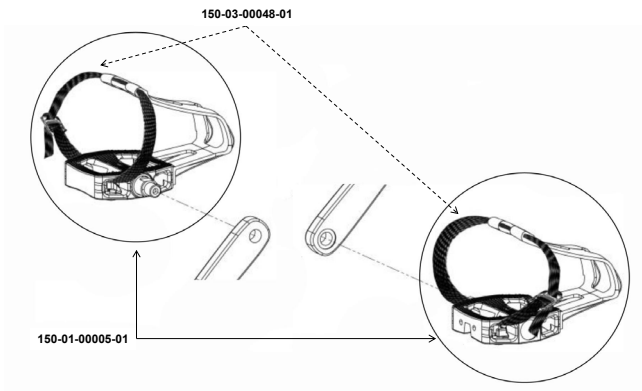


## DIBUJOS DE LOS COMPONENTES Y MÓDULOS

### Conjunto del sillín

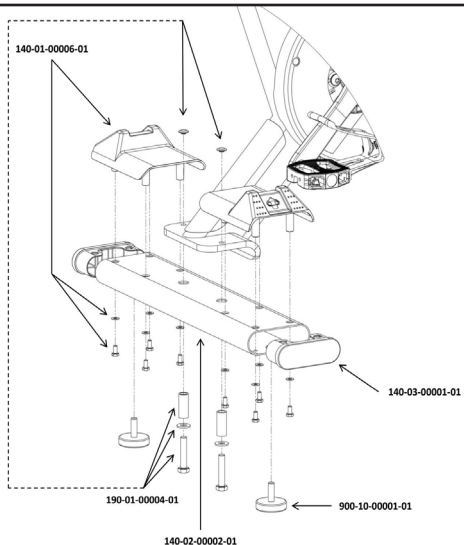


### Pedales



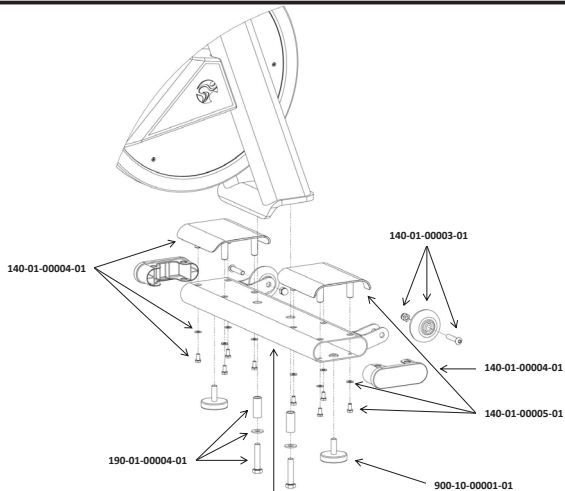
**DIBUJOS DE LOS COMPONENTES Y MÓDULOS**

**Estabilizador trasero**



140-02-00002-01

**Estabilizador delantero**



140-02-00003-01

# MATRIX

	Nº de pieza	Descripción
Freno	130-01-00001-01	<b>MONTAJE DE LA VARILLA SUPERIOR DEL FRENO:</b> -POMO DE AJUSTE DEL FRENO 1x -TUERCA, M10 x 1.5P, ss304 ACERO INOXIDABLE, DIN934/ ISO4032 1x -VARILLA DEL SISTEMA DE FRENO 1x -BOLA DE AJUSTE 1x
	130-03-00001-01	<b>POMO DE AJUSTE DEL FRENO</b>
	130-01-00007-01	<b>CONJUNTO DE FRENO INFERIOR:</b> -CASQUILLO DE AJUSTE DE LA VARILLA CON EL CUADRO 1x -ARANDELA, 22mm x 10mm x 2mm, ss304 ACERO INOXIDABLE, DIN125 / ISO 7090 1x -MUELLE DE COMPRESIÓN, 16mm x 30mm x 1.5mm, -VARILLA INFERIOR DEL SISTEMA DE FRENO 1x -ARANDELA, 30mm x 10.5mm x 2mm, ss 304 ACERO INOXIDABLE, DIN9021 / ISO 7093 1x
	130-01-00008-01	<b>CONJUNTO DE AJUSTE DEL FRENO:</b> -CILINDRO DE AJUSTE 1x -TUERCA PLANA M10 x 0.75P, ss304 ACERO INOXIDABLE, DIN439/ ISO4035 2x
	130-01-00003-01	<b>CONJUNTO DE LA PALANCA DEL FRENO DE EMERGENCIA:</b> -PALANCA DEL FRENO DE EMERGENCIA 1x -TUERCA DE SEGURIDAD, M6 x 1.0P, ss304 ACERO INOXIDABLE, DIN985/ ISO7040 1x -ARANDELA, 12mm x 6,4mm x 1,6mm, ss304 ACERO INOXIDABLE, DIN125/ ISO7090 2x -ARANDELA, 12mm x 6,4mm x 1,6mm, NYLON, DIN125/ ISO7090 2x -TORNILLO CON CABEZA PHILIPS (ESTRELLA), M6 x 55 x 1.0P, ss304 ACERO INOXIDABLE, DIN7985H/ ISO7045 1x
	130-01-00004-01	<b>CONJUNTO DE LEVA - ABRAZADERA INFERIOR DEL FRENO:</b> -LEVA DE FRENO 1x -SEPARADOR, 6.1mm x 10.2mm x 10mm 1x -TORNILLO PARA LLAVE ALLEN, M6 x20 x 1.0P, ss304 ACERO INOXIDABLE, DIN912/ ISO4762 1x -TUERCA DE SEGURIDAD, M6 x 1.0P, ss304 ACERO INOXIDABLE, DIN985/ ISO7040 1x
	130-01-00005-01	<b>CONJUNTO DE LA ZAPATA DE FRENO</b> -SEPARADOR, 6.1mm x 10.2mm x 10mm 1x -TORNILLO PARA LLAVE ALLEN, M6 x20 x 1.0P, ss304 ACERO INOXIDABLE, DIN912/ ISO4762 1x -TUERCA DE SEGURIDAD, M6 x 1.0P, ss304 ACERO INOXIDABLE, DIN985/ ISO7040 1x -ZAPATA DE FRENO 1x
Protector de cadena	160-01-00001-01	<b>CONJUNTO DEL PROTECTOR IZQUIERDO DEL BUJE DEL VOLANTE DE INERCIA:</b> -PROTECTOR IZQUIERDO DEL BUJE DEL VOLANTE 1x -TORNILLO ALLEN, M4 x10 x 0.7P, ss304 ACERO INOXIDABLE, DIN912/ ISO4762 2x
	160-01-00002-01	<b>CONJUNTO DEL PROTECTOR DE CADENA INTERIOR:</b> -PROTECTOR DE CADENA INTERIOR 1x -JUNTA DE GOMA DEL PROTECTOR INTERIOR 1x -TORNILLO ALLEN, M4 x10 x 0.7P, ss304 ACERO INOXIDABLE, DIN912/ ISO4762 5x*

# MATRIX

	Nº de pieza	Descripción
Protector de cadena	160-01-00003-01	<b>CONJUNTO DEL PROTECTOR DE CADENA EXTERIOR:</b> -JUNTA DE GOMA DEL PROTECTOR DE CADENA EXTERIOR 1x -PROTECTOR DE CADENA EXTERIOR 1x -ADHESIVO DEL PROTECTOR DE CADENA EXTERIOR 1x -PROTECTOR DELANTERO DEL PROTECTOR DE CADENA EXTERIOR 1x -TORNILLO ALLEN, M4 x10 x 0.7P, ss304 ACERO INOXIDABLE, DIN912/ ISO4762 6x
Conjunto de transmisión	150-03-00003-01	<b>Biela izquierda, rojo</b>
	150-03-00008-01	<b>Biela derecha, rojo</b>
	150-01-00006-01	<b>CONJUNTO PEDALIER:</b> -Tornillo de la biela; M8x20x1.25P 2x -Protector de goma para la tuerca de seguridad M20 1x -TUERCA DE SEGURIDAD M20 x 1.0P, 8.9 Acero, DIN982/ISO10512 1x -SEPARADOR DE LOS RODAMIENTOS, 24mm x 20mm x 12mm 1x -RODAMIENTO DE BOLAS, 6004 2z, 42mm x 20mm x 12mm 2x -EJE PEDALIER 1x
	900-00-90008-20	<b>Tornillo de la biela; M8x20x1,25P</b>
	900-01-05020-01	<b>TUERCA DE SEGURIDAD, M20 x 1.0P, 8.9 ACERO, DIN982/ISO10512</b>
	900-06-00001-01	<b>RODAMIENTO DE BOLAS, 6004 2z, 42mm x 20mm x 12mm</b>
	150-02-00001-01	<b>EJE PEDALIER</b>
	150-01-00008-01	<b>CONJUNTO PARA EL MONTAJE DE LA POLEA DE LA BIELA:</b> -ARANDELA, 10.5mm x 20mm x 1.5mm, ss304 ACERO INOXIDABLE, DIN 125 /ISO 7089 4x -TORNILLO PARA LLAVE ALLEN, M10 x 20 x 1.5P, ss304 Acero inoxidable, DIN7346/ ISO738 4x
	150-01-00007-01	<b>CONJUNTO DE LA POLEA DE LA BIELA PARA CORREA POLY V:</b> -ARANDELA, 22mm x 10mm x 2.0mm, ss304 ACERO INOXIDABLE, DIN125 / ISO 7089 4x -TORNILLO PARA LLAVE ALLEN, M10 x 20 x 1.5P, ss304 ACERO INOXIDABLE, DIN 7346 / ISO 7380 4x -POLEA PL4 DE LA BIELA 1x
	150-03-00007-01	<b>POLEA PL4 DE LA BIELA</b>
	150-03-00001-01	<b>Correa Ploy V PL4 1397</b>
Volante de inercia	900-06-00002-01	<b>RODAMIENTO DE BOLAS, 6001 2z, 28mm x 12mm x 8mm</b>
	150-01-00010-01	<b>MONTAJE DEL EJE DEL VOLANTE DE INERCIA:</b> -EJE DEL VOLANTE DE INERCIA 1x -TUERCA DE SEGURIDAD, M12 x 1.0P, ACERO, DIN985/ ISO10511 2x -ARANDELA, 24mm x 13mm x 2.5mm, ACERO, DIN125 / ISO 7089 2x -ARANDELA ESTRIADA DE SEGURIDAD, 20.5mm x 12.5mm x 1.0mm, ACERO, DIN6798 2x -ESPACIADOR DEL EJE DEL VOLANTE, LADO IZQUIERDO (39mm)1x -ESPACIADOR DEL EJE DEL VOLANTE, LADO DERECHO (17mm)1x
	150-03-00016-01	<b>EJE DEL VOLANTE DE INERCIA</b>

# MATRIX

	Nº de pieza	Descripción
Volante de inercia	150-01-00033-01	<b>MONTAJE DEL VOLANTE PARA CORREA POLY V:</b> -BUJE DEL VOLANTE DE INERCIA 1x -TIRAFONDO 4 x 12mm, ACERO, DIN EN ISO 6x -RODAMIENTO DE BOLAS, 6001 2z, 28mm x 12mm x 8mm 4x -CUBIERTAS DE PLÁSTICO DEL VOLANTE (IZDA Y DCHA) 2x -ANILLO DE FIJACIÓN DE LA POLEA DEL VOLANTE 1x -POLEA POLY V PL4 PARA EL BUJE DEL VOLANTE 1x -CJTO. DE ADHESIVOS PARA LAS CUBIERTAS DEL VOLANTE 1x -VOLANTE DE INERCIA 1x
	150-01-00031-01	<b>CONJUNTO PARA EL MONTAJE DEL VOLANTE (IZDA):</b> -TUERCA DE SEGURIDAD, M12 x 1.0P, ACERO, DIN985/ ISO10511 1x -ARANDELA, 24mm x 13mm x 2.5mm, ACERO, DIN125 / ISO 7089 1x -ARANDELA ESTRIADA DE SEGURIDAD, 20.5mm x 12.5mm x 1.0mm, ACERO, DIN6798 1x -ESPACIADOR DEL EJE DEL VOLANTE, LADO IZQUIERDO (39mm) 1x
	150-01-00032-01	<b>CONJUNTO PARA EL MONTAJE DEL VOLANTE (DCHA):</b> -TUERCA DE SEGURIDAD, M12 x 1.0P, ACERO, DIN985/ ISO10511 1x -ARANDELA, 24mm x 13mm x 2.5mm, ACERO, DIN125 / ISO 7089 1x -ARANDELA ESTRIADA DE SEGURIDAD, 20.5mm x 12.5mm x 1.0mm, ACERO, DIN6798 1x -ESPACIADOR DEL EJE DEL VOLANTE, LADO DERECHO (17mm) 1x
	100-01-00005-01	<b>CONJUNTO DE LA ABRAZADERA DE AJUSTE DEL VOLANTE:</b> -TORNILLO ALLEN, M8 x 50 x 1.25P, 8.8 ACERO, DIN912/ISO4762 1x -TUERCA, M8 x 1.25P, 8.8 ACERO, DIN934/ ISO4032 1x -TORNILLO ALLEN, M6 x 16 x 1.0P, ACERO, DIN7346/ ISO7380 2x -LOCKING PLATE FOR FW BRACKET 1x
	150-01-00009-01	<b>MONTAJE DE LA POLEA DELANTERA PARA CORREA POLY V:</b> -ANILLO DE FIJACIÓN DE LA POLEA DELANTERA 1x -POLEA POLY V PL4 PARA EL BUJE DEL VOLANTE 1x
Cuadro	100-03-00016-02	<b>CAMISA INTERIOR PARA EL TUBO DEL MANILLAR</b>
	100-03-00017-01	<b>CUBIERTA DE PROTECCIÓN - TRIANGULO DE LA CAJA PEDALIER</b>
	100-03-00018-01	<b>CUBIERTA DE PROTECCIÓN - PARTE POSTERIOR DEL CUADRO</b>
	100-03-00021-01	<b>CAMISA INTERIOR PARA EL TUBO DEL SILLÍN</b>
	100-09-00010-01	<b>CONJUNTO DE ADHESIVOS PARA EL CUADRO Matrix IC3:</b> -ADHESIVO - ETIQUETA DE ADVERTENCIA 1x -ADHESIVO MX - INSIGNIA DELANTERA PARA LA HORQUILLA 2x -ADHESIVO TRIBAL - PARTE FRONTAL - PLACA INSIGNIA 1x -ADHESIVO IC3-TUBO DEL SILLÍN-INSIGNIA DE ALUMINIO (IZDA) 1x -ADHESIVO IC3-TUBO DEL SILLÍN-INSIGNIA DE ALUMINIO (DCHA) 1x
	100-09-00003-01	<b>ADHESIVO TRIBAL - PARTE FRONTAL - PLACA INSIGNIA</b>
	180-01-00001-02	<b>POMO DE AJUSTE</b>

# MATRIX

	Nº de pieza	Descripción
Manillar	110-01-00001-01	<b>MONTAJE SUPERIOR DEL MANILLAR</b> -PERFIL DEL MANILLAR SOLDADO 1x -TORNILLOS ALLEN AVELLANADOS, M8 x 25 x 1.0P, 9.8 ACERO, DIN7991/ ISO10642 2x -MONTAJE DE LA PALANCA DE FIJACIÓN 1x -GUÍA DEL MANILLAR SOLDADA 1x -TAPA LATERAL DE LA GUÍA SUPERIOR DEL MANILLAR Y SILLÍN 2x -TORNILLO ALLEN, M4 x10 x 0.7P, ss304 ACERO INOXIDABLE, DIN912/ ISO4762 2x
	110-01-00005-01	<b>CONJUNTO SUPERIOR DEL MANILLAR:</b> -PERFIL DEL MANILLAR SOLDADO 1x -TORNILLOS ALLEN AVELLANADOS, M8 x 25 x 1.0P, 9.8 ACERO, DIN7991/ ISO10642 2x
	110-01-00006-01	<b>MONTAJE DE LA GUÍA SUPERIOR DEL MANILLAR:</b> -MONTAJE DE LA PALANCA DE FIJACIÓN 1x -GUÍA DEL MANILLAR SOLDADA 1x -TAPA LATERAL DE LA GUÍA SUPERIOR DEL MANILLAR Y SILLÍN 2x -TORNILLO ALLEN M4 x10 x 0.7P, ss304 ACERO INOXIDABLE, DIN912/ ISO4762 2x
	110-01-00007-01	<b>MONTAJE DE LA TIJA DEL MANILLAR:</b> -Protectores de plástico para la guía 2x -Tija del manillar soldada 1x
	180-01-00003-01	<b>CONJUNTO DE PROTECCIÓN PARA LA TIJA DEL MANILLAR:</b> -PROTECCIÓN PARA LA TIJA DEL MANILLAR 1x -TORNILLOS ALLEN AVELLANADOS, M5 x 10 x 0.8P, ss304 ACERO INOXIDABLE, DIN7991/ ISO10642 2x
	180-01-00002-01	<b>MONTAJE DE LA PALANCA DE FIJACIÓN</b>
	190-01-00003-01	<b>CONJUNTO DE TAPAS LATERALES PARA LA GUÍA DEL MANILLAR Y SILLÍN:</b> -TAPA LATERAL DE LA GUÍA SUPERIOR DEL MANILLAR Y SILLÍN 1x -ARANDELA, 5.3mm x 10mm x 1.0mm, ss304 ACERO INOXIDABLE, DIN 125 / ISO 7090 1x -TAPA LATERAL DE LA GUÍA INFERIOR DEL MANILLAR Y SILLÍN 1x -TORNILLO ALLEN, M4 x10 x 0.7P, ss304 ACERO INOXIDABLE, DIN912/ ISO4762 2x
Tija del sillín	120-01-00007-01	<b>MONTAJE DE LA TIJA DEL SILLÍN:</b> -Protectores de plástico para la guía 2x -Tija del sillín soldada 1x
	180-01-00002-01	<b>MONTAJE DE LA PALANCA DE FIJACIÓN</b>
	190-01-00003-01	<b>CONJUNTO DE TAPAS LATERALES PARA LA GUÍA DEL MANILLAR Y SILLÍN:</b> -TAPA LATERAL DE LA GUÍA SUPERIOR DEL MANILLAR Y SILLÍN 1x -ARANDELA, 5.3mm x 10mm x 1.0mm, ss304 ACERO INOXIDABLE, DIN 125 / ISO 7090 1x -TAPA LATERAL DE LA GUÍA INFERIOR DEL MANILLAR Y SILLÍN 1x -TORNILLO ALLEN, M4 x10 x 0.7P, ss304 ACERO INOXIDABLE, DIN912/ ISO4762 2x
	120-01-00002-01	<b>SILLÍN , VELO N°: VL-3125SW:</b> -SILLÍN 1x -ABRAZADERA PARA EL SILLÍN 1x
	120-01-00003-01	<b>ABRAZADERA PARA EL SILLÍN</b>

# MATRIX

	Nº de pieza	Descripción
Tija del sillín	120-01-00001-01	<b>MONTAJE DE LA GUIA DEL SILLÍN:</b> -GUIA DEL SILLÍN SOLDADA 1x -MONTAJE DE LA PALANCA DE FIJACIÓN 1x -TAPA LATERAL DE LA GUÍA SUPERIOR DEL MANILLAR Y SILLÍN 2x -TORNILLO ALLEN, M4 x10 x 0.7P, ss304 ACERO INOXIDABLE, DIN912/ ISO4762 2x
	120-01-00004-01	<b>MONTAJE DE LA TIJA DEL SILLÍN:</b> -TORNILLO ALLEN, M4 x10 x 0.7P, ss304 ACERO INOXIDABLE, DIN912/ ISO4762 2x -ARANDELA, 5.3mm x 10mm x 1.0mm, ss304 ACERO INOXIDABLE, DIN 125 / ISO 7090 2x -TAPA LATERAL DE LA GUÍA INFERIOR DEL MANILLAR Y SILLÍN 2x -TORNILLO ALLEN AVELLANADO, M5 x 10 x 0.8P, ss304 ACERO INOXIDABLE, DIN7991/ ISO10642 2x
Estabilizador	190-01-00004-01	<b>CONJUNTO DE MONTAJE DEL ESTABILIZADOR:</b> -TORNILLO CON CABEZA HEXAGONAL M10 x 50 x 1.0P, ss304 ACERO INOXIDABLE, DIN933 / ISO4017 1x -ARANDELA, 22mm x 10.5mm x 2.0mm, ss304 ACERO INOXIDABLE, DIN125/ ISO7089 1x -CAMISA SEPARADORA, 11.9mm x 15.9mm x 38mm, acero con tratamiento antióxido 1x -TAPONES DE PLÁSTICO PARA EL SOPORTE TRASERO INFERIOR DEL CUADRO 1x
	140-03-00001-01	<b>TAPA LATERAL DEL ESTABILIZADOR</b>
	900-10-00001-01	<b>PIES DE NIVELACIÓN DE GOMA</b>
	140-01-00006-01	<b>-CONJUNTO DE PLACAS DE ESTIRAMIENTO DEL ESTABILIZADOR TRASERO:</b> -ARANDELA, 12mm x 6.4mm x 1.6mm, ACERO CON TRATAMIENTO ANTI-ÓXIDO, DIN125/ ISO7090 4x -TORNILLO CON CABEZA HEXAGONAL , M6 x 12 x 1.0P,ACERO CON TRATAMIENTO ANTI-ÓXIDO, DIN933 / ISO4017 4x -PLACA DE ESTIRAMIENTO DEL ESTABILIZADOR TRASERO 1x
	140-02-00002-01	<b>ESTABILIZADOR TRASERO SOLDADO</b>
	140-01-00004-01	<b>CONJUNTO DE PLACA DE PROTECCIÓN PARA EL ESTABILIZADOR DELANTERO, IZDA:</b> -ARANDELA, 12mm x 6.4mm x 1.6mm, ACERO CON TRATAMIENTO ANTI-ÓXIDO, DIN125/ ISO7090 4x -TORNILLO CON CABEZA HEXAGONAL, M6 x 12 x 1.0P, ACERO CON TRATAMIENTO ANTI-ÓXIDO, DIN933 / ISO4017 4x -PLACA DE PROTECCIÓN DEL ESTABILIZADOR DELANTERO IZDA 1x
	140-01-00005-01	<b>CONJUNTO DE PLACA DE PROTECCIÓN PARA EL ESTABILIZADOR DELANTERO, DCHA:</b> -ARANDELA, 12mm x 6.4mm x 1.6mm, TRATAMIENTO ANTI-OXIDO, DIN125/ ISO7090 4x -TORNILLO CON CABEZA HEXAGONAL M6 x 12 x 1.0P, TRATAMIENTO ANTI-OXIDO, DIN933 / ISO4017 4x -PLACA DE PROTECCIÓN DEL ESTABILIZADOR DELANTERO, DCHA 1x
	140-02-00003-01	<b>ESTABILIZADOR DELANTERO SOLDADO</b>
	140-01-00003-01	<b>MONTAJE DE LAS RUEDAS DE TRANSPORTE:</b> -TORNILLO DE CAMISA CON ROSCA INTERIOR, M8 x35 x 1.5P, ss304 ACERO INOXIDABLE 1x -TORNILLO ALLEN CON CABEZA REDONDA M8 x12 x 1.5P, ss304 ACERO INOXIDABLE, ISO7380 1x -RUEDA DE TRANSPORTE 1x

Matrix Fitness System Corp. garantiza que todos los productos nuevos en el día de entrega al cliente no contienen defectos de material ni de fabricación, entrando en vigor desde la fecha original de instalación. Las piezas reparadas o reemplazadas bajo los terminos de esta garantía, estarán garantizados hasta el final de la garantía original. **La garantía puede variar dependiendo de la región o país.** Por favor contacte [www.matrixfitness.com](http://www.matrixfitness.com) para más información.

**Defectos causados por uso o manejo inadecuado pueden derivar en la cancelación de la garantía.**

### GARANTÍA LIMITADA Matrix IC3

- 10 años de garantía:** Construcción del cuadro y soldaduras.
- 3 años de garantía:** Montaje del manillar y sillín, sistema de freno (zapata de freno excluida), palancas y pomos de fijación, bielas, sistema de transmisión por correa, montaje del conjunto pedalier, montaje del buje y volante de inercia, recubrimiento de pintura en polvo.
- 2 años de garantía:** Pedales, camisas interiores para las tijas del manillar y sillín, pies de nivelación.
- 1 año de garantía:** Construction del sillín.

**Las siguientes piezas sometidas a desgaste están excluidas de la garantía:**

Correas de los rastrales, sistema SPD de los pedales, zapatas de freno, superficie del sillín.

