

MATRIX



Matrix S-series **Model no. IC-MXSB-01**

Manufactured by:
Indoorcycling Group GmbH
Happurger Str. 86
90482 Nuremberg | Germany
www.indoorcycling.com
info@indoorcycling.com

MATRIX Fitness Systems Corp.
1610 Landmark Drive
Cottage Grove, WI 53527
Toll-free: 866.693.4863
Local: 608.839.8686
www.matrixfitness.com

CAUTION !

Read all precautions and instructions in this manual before using this equipment. Keep this manual for future reference.

Improper assembly, maintenance or use can void the warranty terms.

Important precautions	page 3
Before you begin	page 4
How to assemble the Matrix S-Series Indoor Cycle	page 5-7
How to operate	page 12
Initial install checks	page 8
How to adjust the Matrix S-Series Indoor Cycle	page 9-11
Resistance adjustment	page 12
How to move the Matrix S-Series Indoor Cycle	page 12
Preventative maintenance	page 13
Daily maintenance	page 13
Weekly maintenance	page 13
Bi-Weekly maintenance	page 14-15
Monthly maintenance	page 15-16
Belt drive system	page 17
Maintenance activity plan & check lists	page 18-19
Explosion drawings of structural components	page 20-25
Spare part reference list	page 26
Limited warranty	page 27

Technical specifications:

The Matrix S-Series Bike is according to EN 957 a Class S product for professional and / or commercial use. Such training equipment is intended for the use in training areas of organizations such as fitness clubs or sport associations, where access and control is specially regulated by the person who has the legal responsibility.

Foot print:	55 x 115 cm / 21.7 x 45.3 inch
Weight of bike:	51 kg / 113 lbs
Max saddle height:	115 cm / 45.3 inch
Max handlebar height:	115 cm / 45.3 inch
Max user weight:	130 kg / 287 lbs

The Bike is designed to accommodate most users from 150 to 205 cm / 59.1 to 81.7 inch body height.

WARNING!

To reduce the risk of serious injury, read the following important precautions and information before operating the Matrix S-Series Indoor Cycle.

1. It is the responsibility of the owner to ensure that all users of the Matrix S-Series Indoor Cycle are informed of all warnings and precautions.
2. Operate and maintain the Matrix S-Series Indoor Cycle only as described in this manual.
3. Do not operate the Matrix S-Series Indoor Cycle until it is properly assembled (see page 5-7).
Keep the bike indoors, away from moisture and dust. Do not place the Matrix S-Series Indoor Cycle in a garage or covered patio or near water.
4. Place the Matrix S-Series Indoor Cycle on a level surface. To protect the floor or carpet from damage, place a mat beneath the Matrix S-Series Indoor Cycle. Make sure that there is adequate room around the Matrix S-Series Indoor Cycle to mount, dismount, and operate it.
5. Regularly inspect and properly tighten all parts of the Matrix S-Series Indoor Cycle as recommended in this manual. Please replace defective parts immediately and do not use the bike until repair is performed. Only use original parts from the manufacturer.
6. Children under the age of 14 should only be allowed use of the Matrix S-Series Indoor Cycle with parental consent and guided by a specially trained instructor.
7. The Matrix S-Series Indoor Cycle should not be used by persons weighing more than 290 pounds (130 kg).
8. Always wear appropriate athletic clothes and shoes while operating the Matrix S-Series Indoor Cycle. Do not wear loose clothes that could become caught on the Matrix S-Series Indoor Cycle or shoes with loose laces.
9. Before using the Matrix S-Series Indoor Cycle, make sure that you are familiar with the operation of the Indoor Cycle (see pages 8-12).
10. The Matrix S-Series Indoor Cycle does not have an independently moving flywheel (wheel); the pedals will continue to move together with the flywheel until the flywheel stops.
11. Always regulate the flywheel resistance so that your pedalling motion is controlled (see page 12).
12. Keep your back straight while using the Matrix S-Series Indoor Cycle; do not arch your back.
13. If you feel pain or dizziness while exercising, stop immediately, rest and cool down.
14. If replacement parts are needed, use only manufacturer supplied parts.

WARNING:

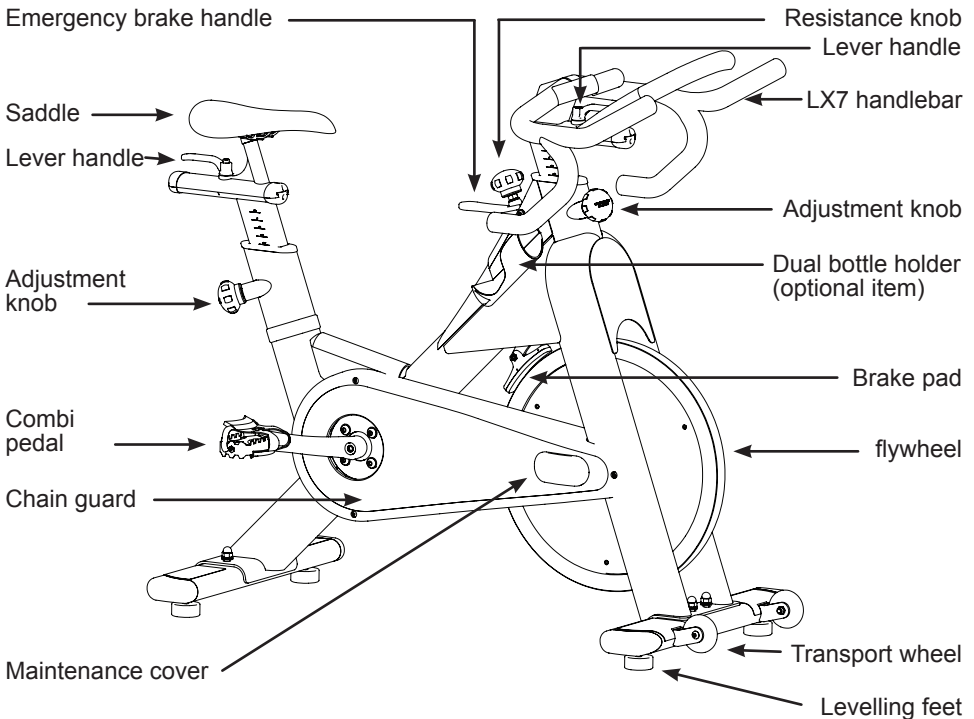
Before beginning any exercise program, consult your physician. This is especially important for persons over the age of 35 or persons with pre-existing health problems. Read all instructions before using. Be aware that incorrect or extensive training may result in serious health injuries. The manufacturer assumes no responsibility for personal injury or property damage sustained by or through the use of this product.

BEFORE YOU BEGIN

Dear Customer,
Congratulations for selecting the Matrix S-Series Indoor Cycle.
The Matrix S-Series Indoor Cycle offers an impressive array of features designed to enhance cardiovascular fitness, tone muscles, and develop endurance. Whether users are beginners or experienced athletes, the Matrix S-Series Indoor Cycle offers workouts that will help users to reach their individual fitness goals.

IMPORTANT: Read this manual carefully before assembling or using the Matrix S-Series Indoor Cycle.

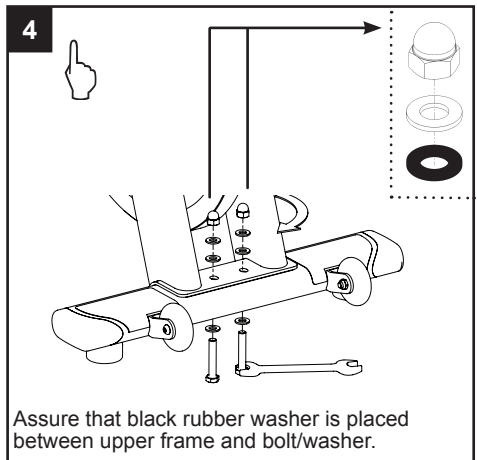
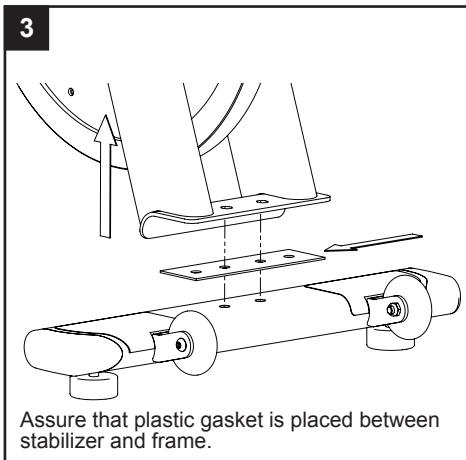
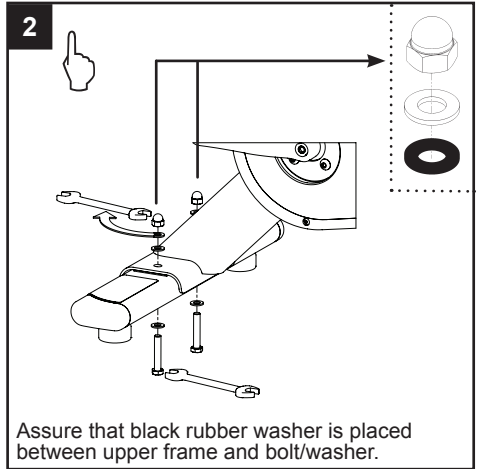
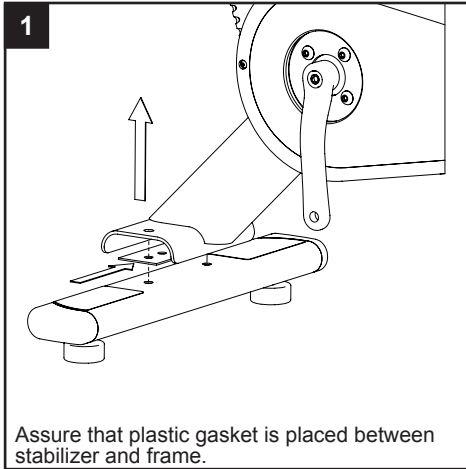
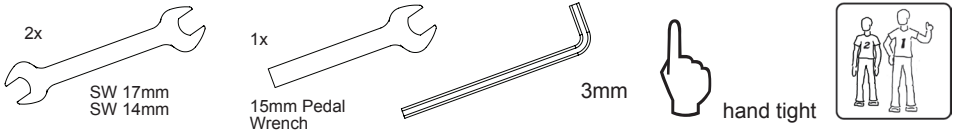
If you have questions after reading this manual, please contact Indoorcycling Group GmbH or refer to the website www.indoorcycling.com. Before reading further, please familiarize yourself with the parts that are labeled in the drawing below.



You will find the production code on the left side of the Matrix S-Series Indoor Cycles within the lower range of the frame. Please refer to these in servicing and maintenance lists.

MATRIX

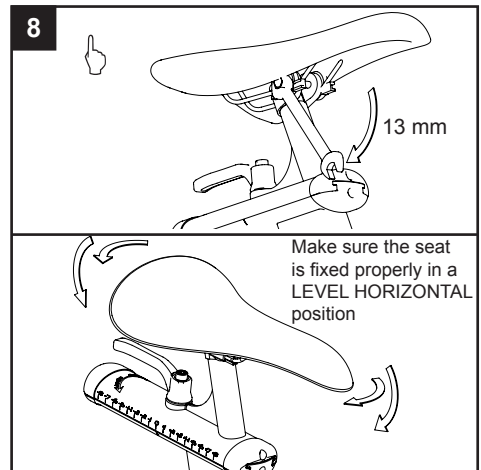
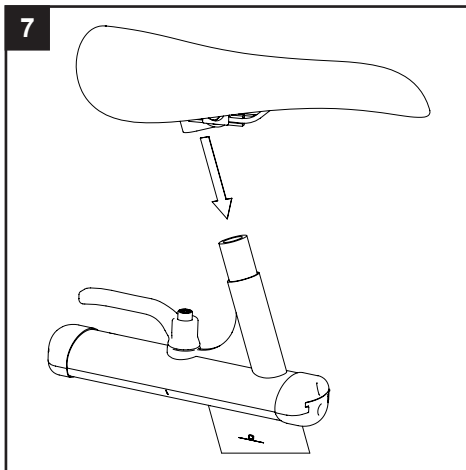
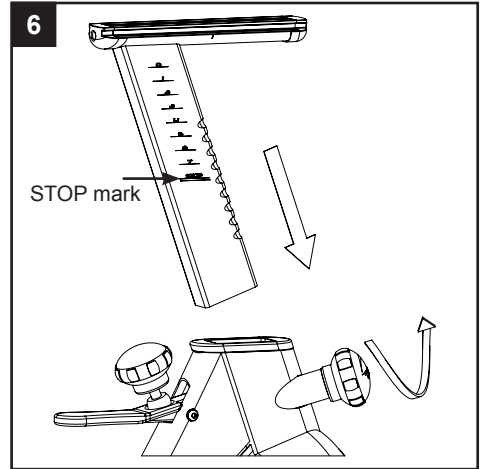
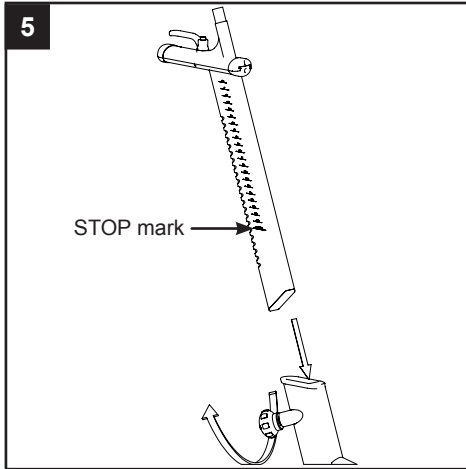
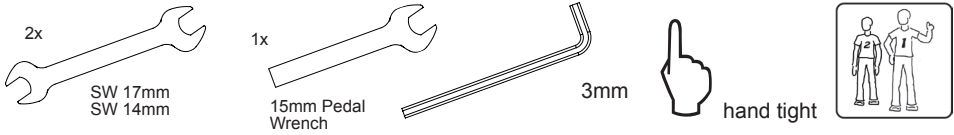
HOW TO ASSEMBLE Matrix S-Series Indoor Cycle



Please assure that nuts are tightened with significant strength to minimize loosening during use.

MATRIX

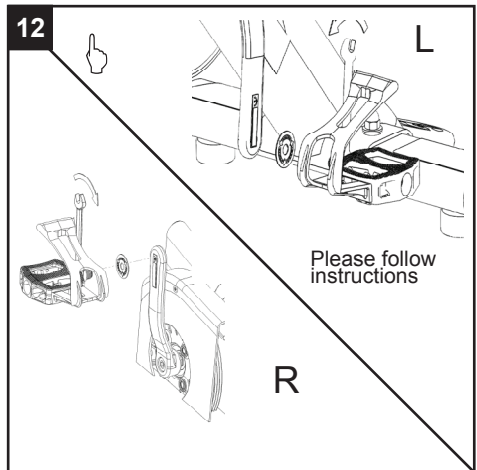
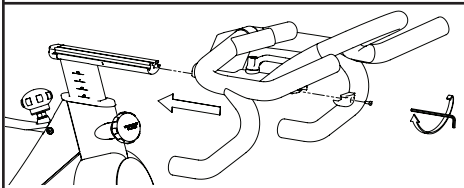
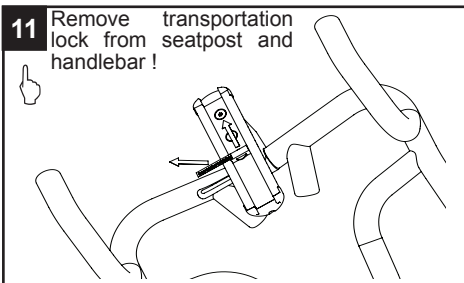
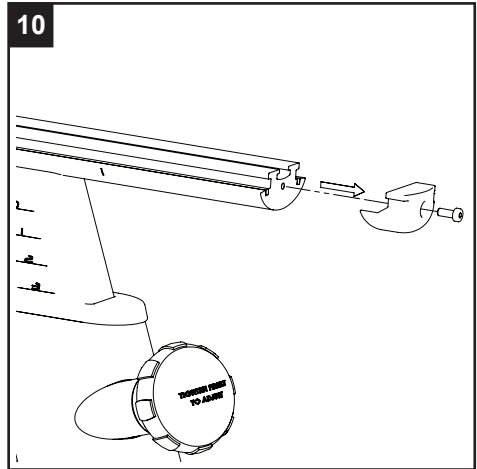
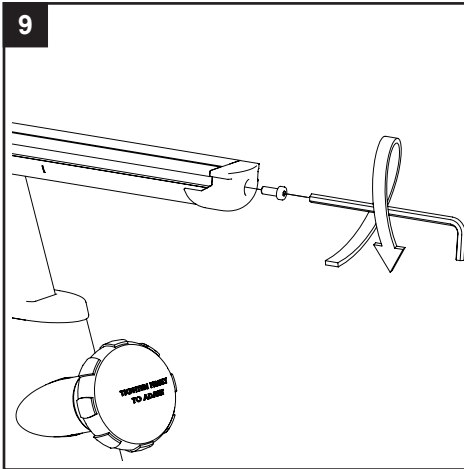
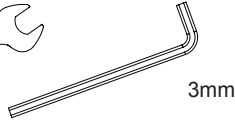
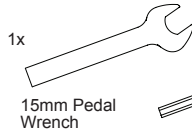
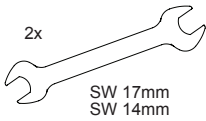
HOW TO ASSEMBLE Matrix S-Series Indoor Cycle



Seat clamp must be tightened securely from both sides to minimize loosening during use.

MATRIX

HOW TO ASSEMBLE Matrix S-Series Indoor Cycle



Pedal marked R installed on right crank (clockwise), Pedal marked L installed on left crank (counter-clockwise).

Pedals must be fastened with significant strength to avoid loosening with use of the indoor cycle.

INITIAL INSTALL CHECKS

The cycle tune-up must be performed at initial installation of the indoor cycle for optimal performance and longevity. Please read and follow all instructions below. If the indoor cycle is not installed and tuned as described, components may wear excessively and the indoor cycle may become damaged. If you have questions about the installation, please contact service@indoorcycling.com.

Note: Some maintenance procedures require acid-, silicone- and solvent free spray lubricant (for example BRUNOX), and White Lithium grease.

1. Make sure that the indoor cycle is level. If the indoor cycle rocks on the floor, turn the leveling feet underneath the front and/or rear stabilizer until the rocking motion is eliminated.
2. Verify Emergency brake function to assure that emergency brake functions correctly.
3. Brake pad calibration: Turn resistance knob counterclockwise as far as possible (minimum braking effect), verify that there is a slight separation of the brake pad from flywheel. Brake pad should barely touch the flywheel when resistance knob is turned counter-clockwise as far as it can go.
4. Apply spray lubricant to the brake pad using the lubrication holes on the plastic part or the brake pad and externally on the felt pad. Make sure brake pad is thoroughly soaked from end to end with lubricant spray. Then, wipe the excess off from the flywheel.
* Best Practice: Use a refillable spray bottle filled with non-aerosol **acid-, silicone- and solvent free** spray lubricant purchased by the gallon (3.7 L) at the local hardware store.
5. Apply Lithium grease to the threads on the lower end of the brake rod. First, turn the Resistance knob clockwise until it stops. Apply a small amount of white lithium grease to the threads on the brake rod above the two lock nuts. Then, turn the resistance knob counter-clockwise until it stops.
6. Apply Lithium grease on the metal threads of all the adjustment knobs.
7. Verify four (4) Allen nuts on RS pulley for tightness. If loose, apply LocTite Threadlocker Blue-242 and retighten.
8. Verify R and L crank arm Allen bolts for tightness. If loose, apply LocTite Threadlocker Blue-242 and retighten.
9. Verify belt tension. Check if belt drive is firmly tightened and does not slip while riding under resistance load. In case that the belt slips, proceed using the adjustment technique as described on page (17). Please note that a belt drive gear never shows slack. In case of adjustment do not apply too much tension.
10. Wipe down bike frame with rag moistened with solvent free spray lubricant
11. Some parts of the indoor cycle may become loose during shipment. Check crank arms, check all exposed screws, bolts, and nuts, and make sure that they are properly tightened.

Customer Service

1. Provide basic maintenance instructions to client and direct them to detailed maintenance instructions (page 13-19).
2. Sign-off sheet provided to client to confirm explanation of maintenance procedures/manual and verification of condition of bikes

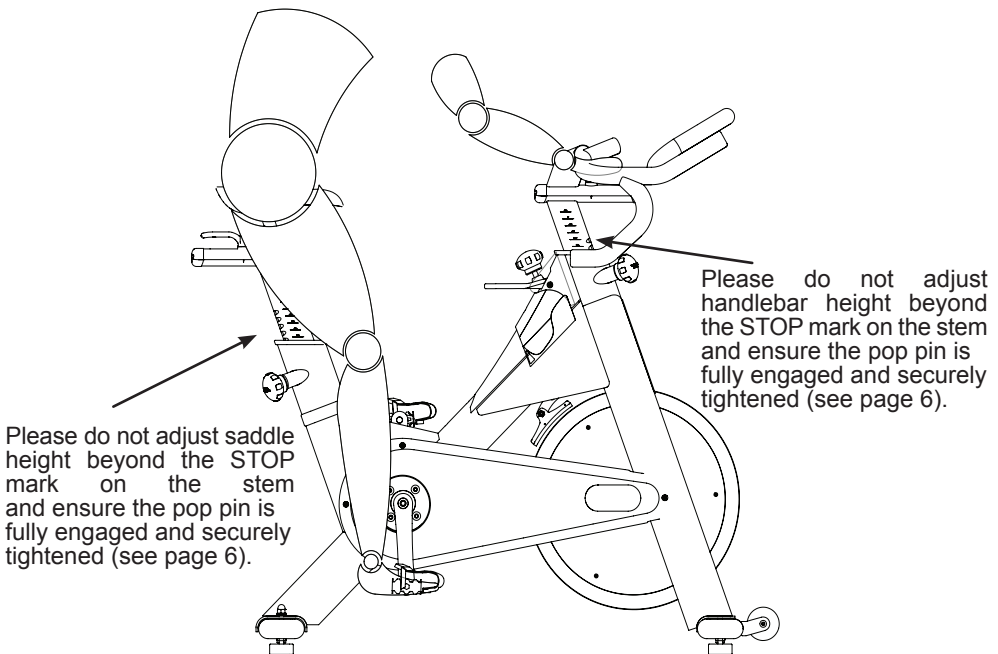
MATRIX

HOW TO ADJUST THE Matrix S-Series Indoor Cycle

The Matrix S-Series Matrix S-Series Indoor Cycle can be adjusted for maximum comfort and exercise effectiveness. The instructions below describe one approach to adjusting the Matrix S-Series Indoor Cycle to ensure optimal user comfort and ideal body positioning; you may choose to adjust the Matrix S-Series Indoor Cycle differently.

Pedal strap adjustment:

Sit on the saddle and position your feet on the pedals, with the balls of your feet directly above the spindles of the pedals (see the drawing below). Adjust the pedal straps so the toe clips (cages) are snug but not too tight. Note: In the case of a bike being fitted with combi-pedals, the pedals feature toe clips on one surface and SPD cleats on the opposite surface. If desired, use the SPD cleats with cycling shoes instead of the toe clips.



Please avoid overtightening the pop pin adjustment knob as this may cause damages to the vertical aluminum stems.

Saddle height adjustment:

Sit on the saddle and slowly pedal until the right pedal is in the lowest position. Your knees should be slightly bent without a dropping of the hips.

To avoid hyper extending your knees, make sure that your legs are not completely straight.

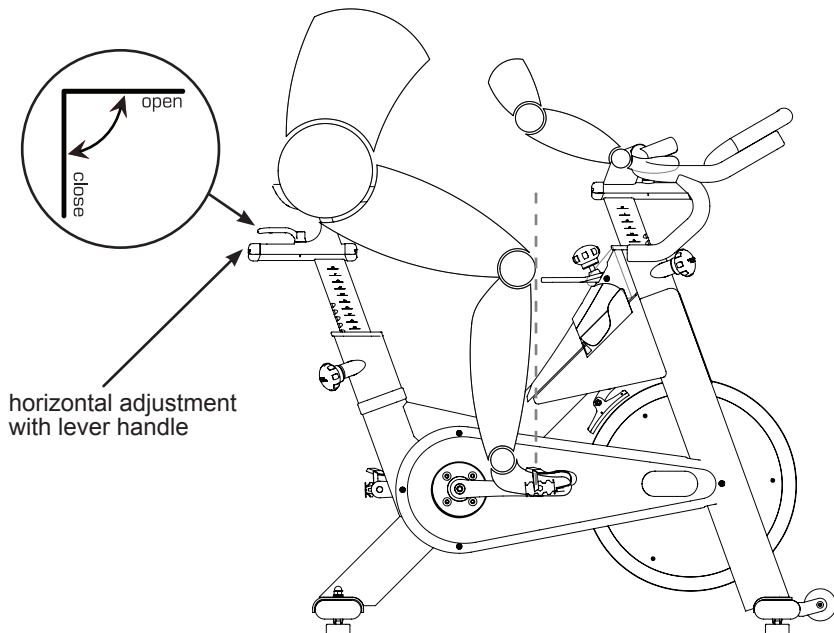
MATRIX

HOW TO ADJUST THE Matrix S-Series Indoor Cycle

Saddle horizontal adjustment:

Proper horizontal adjustment of the saddle is very important in avoiding injury to the knees. Sit on the saddle and move the pedals until the crank arms are in horizontal position.

Using your forward most leg as a marker, your kneecap should be directly above the center of the pedal so that a straight line is created between knee and center of the pedal (see the dotted line in image below). To adjust the horizontal position of the saddle, first dismount the Matrix S-Series Indoor Cycle. Next, loosen the rear lever handle, slide the saddle forward or backward as required, and then retighten the lever handle.



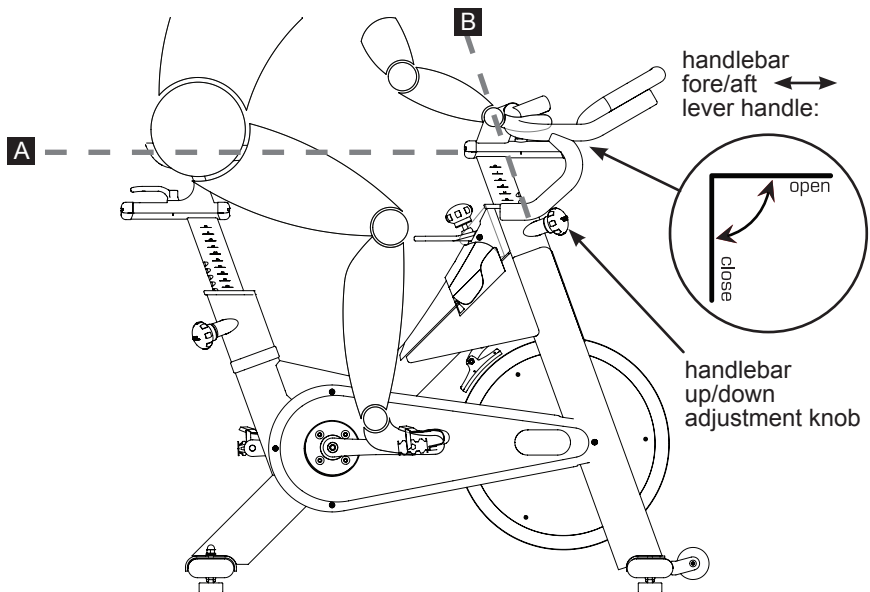
MATRIX

HOW TO ADJUST THE Matrix S-Series Indoor Cycle

Handlebar adjustment:

Begin with the top of the handlebar at relatively the same height or just slightly higher than the top of the saddle (**dotted horizontal line A in the drawing below**) and at a neutral fore/aft position (**see dotted vertical line B in drawing below**). If your knees touch the handlebars or if you experience back discomfort while pedalling for extended periods of time, the height of the handlebars can be adjusted. First, dismount the Matrix S-Series Indoor Cycle.

Next, turn the front adjustment knob counter clockwise, slide the handlebar post up or down, and then retighten the adjustment knob.



Next, the horizontal position of the handlebar should be adjusted. If the handlebar is too close to the saddle, your breathing may feel restricted; if the handlebar is too far from the saddle, you may experience back discomfort. To adjust the horizontal position of the handlebar, first dismount the Matrix S-Series Indoor Cycle. Check for proper handlebar position by positioning your elbow so that it is touching the front tip of the saddle at a 90 degree angle and checking that the fingertip of your middle finger is touching the handlebar at the mid-point. If it is not as described then loosen the fore/aft lever handle and slide the handlebar forward or backward until your middle finger is touching the handlebar at the mid-point, and then retighten the lever handle.

The handlebar offers a wide variety of hand positions for personal preferences. Changing your hand position can change the angle of your back, neck, and arms. To minimize the stress on your muscles during your workouts, change your hand position frequently.

MATRIX

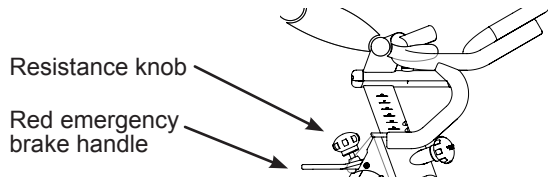
HOW TO OPERATE THE Matrix S-Series Indoor Cycle

Resistance adjustment:

The preferred level of difficulty in pedalling (resistance) can be regulated in fine increments by use of the resistance knob. To increase the resistance, turn the resistance knob clockwise. To decrease the resistance, turn the knob counter clockwise.

IMPORTANT: To stop the flywheel (wheel) while pedalling, pull up the red emergency handle. The flywheel should quickly come to a complete stop. Please make sure your shoes are fixed into the toe clip or in case cycling shoes are used your shoe cleat is connected to the pedal binding while riding.

! The Matrix S-Series Indoor Cycle does not have a free moving flywheel (wheel); the pedals will continue to move together with the flywheel until the flywheel stops. Reducing speed in a controlled manner is required. To stop the flywheel immediately, pull up the red emergency break handle. Always pedal in a controlled manner and adjust your desired cadence according to your own abilities. Pull the red emergency handle up = emergency stop !

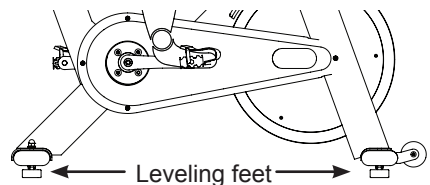


How to move the Matrix S-Series Indoor Cycle:

Due to the weight of the Matrix S-Series Indoor Cycle, it is recommended that two persons move it. While one person lifts the back of the Matrix S-Series Indoor Cycle, the second person firmly holds the handlebar and tips the Matrix S-Series Indoor Cycle forward until it rolls on the wheels. Carefully move the Indoor Studio Cycle to the desired location and then lower it.

CAUTION: To reduce the risk of injury, use extreme caution while moving the Indoor Studio Cycle. Do not attempt to move it over uneven surfaces and make sure a safety space of min 20 inch to the nearest equipment is redeemed.

If the Matrix S-Series Indoor Cycle rocks on the floor after being set down, turn the levelling feet (see diagram) underneath the front or rear stabilizer until the rocking motion is eliminated. **Important:** Please do not unscrew the levelling feet more than ½ inch!



Regular maintenance must be performed on the Matrix S-Series Indoor Cycle for optimal performance and longevity. Please read and follow all instructions below. If the indoor cycle is not maintained as described, components may wear excessively and the Matrix S-Series Indoor Cycle may become damaged. Improper maintenance will void the warranty terms. If you have questions about maintenance, contact your local distributor or refer to www.indoorcycling.com

Note: Many maintenance procedures require lubricant spray. Manufacturer recommends Brunox or any other solvent free lubricant.

Daily maintenance:

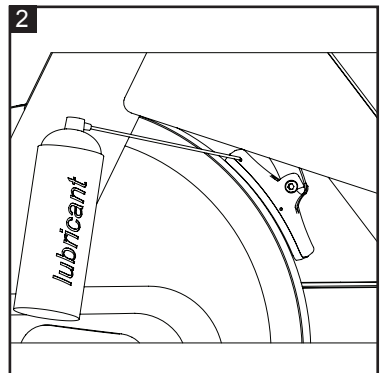
1. Make sure that the Matrix S-Series Indoor Cycle is level. If the Matrix S-Series Indoor Cycle rocks on your floor, turn the levelling feet underneath the front or rear stabilizer until the rocking motion is eliminated (see „How to move the Matrix S-Series Indoor Cycle“ on page 12).

2. After each user finishes exercising, the Matrix S-Series Indoor Cycle should be disinfected and cleaned to maintain a hygienic environment. First, apply a disinfectant spray to the handlebars and the saddle. Using a lint-free cloth, dry the handlebars and the saddle. Next, apply a small amount of disinfectant to a lint-free cloth and clean the adjustment knobs and the lock handles. Avoid using strong detergents on the Matrix S-Series s Indoor Cycle frame.

Weekly maintenance:

1. Apply a small amount of the lubrication spray to a lint-free cloth, and thoroughly clean the frame, the handlebar slider and seat sliders the flywheel and the plastic parts of the Matrix S-Series Indoor Cycle.

2. For optimal performance of the resistance system, and to minimize wear on the brake pad, the **acid-, silicone- and solvent free spray lubricant** should be applied to the brake pad using the lubrication holes on the plastic part of the brake pad. If fuzz or lint appears on the brake pad, the brake pad has become too dry-lubricant spray should be applied more frequently. Make sure brake pad is thoroughly soaked from end to end with lubricant spray. Then, wipe the excess off.



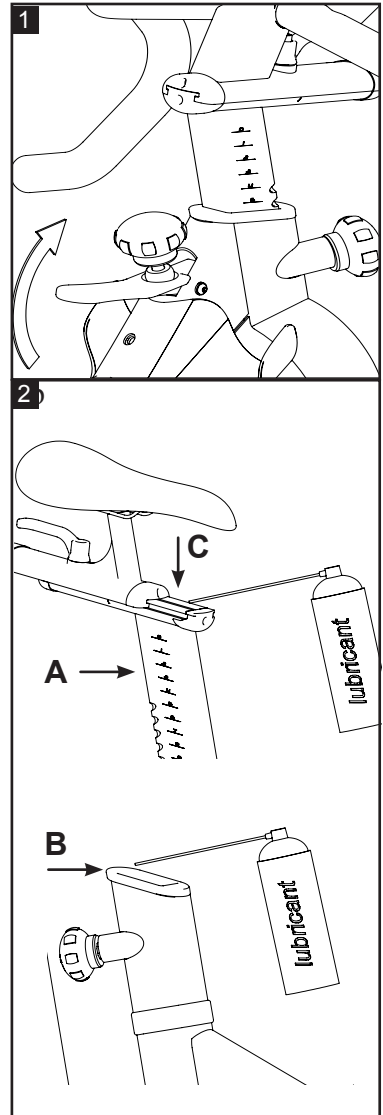
Bi-weekly maintenance:

1. The Matrix S-Series Indoor Cycle should not be used if the emergency brake system is not working properly.

While sitting on the saddle and pedalling, test the brake by pulling the emergency brake handle upward. The flywheel should come to a quick and complete stop.

2. To maintain the easy adjustability of the saddle post, the saddle post should be cleaned and lubricated. Turn the rear adjustment knob counter clockwise and slide the saddle post out of the frame. Apply a small amount of lubricant spray to a lint-free cloth, and clean the saddle post (A). Next, apply a small amount of lubricant spray inside of the rear frame sleeve (B). Then, reinsert the saddle post into the frame and adjust it to the desired height.

Next, loosen the rear lock handle and slide the saddle carriage as far backward as possible. Apply a small amount of lubricant spray to a lint-free cloth, and clean the top of the saddle slide (C). Then, slide the saddle carriage as far forward as possible and clean the top of the saddle slide. Finally, adjust the saddle to the desired position.

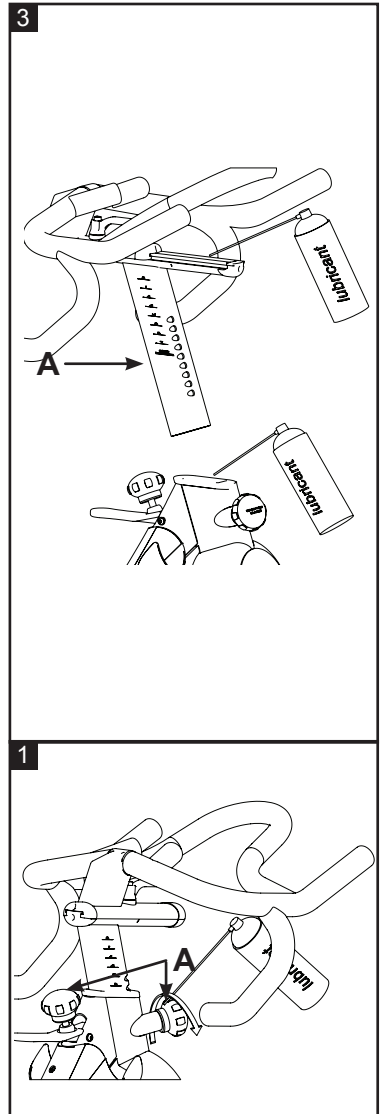


3. To maintain the easy adjustability of the handlebar post, the handlebar post should be cleaned and lubricated. First, turn the front adjustment knob counter clockwise and slide the handlebar post out of the frame. Apply a small amount of lubricant spray to a lint-free cloth, and clean the handlebar post (A). Next, apply a small amount of lubricant spray inside of the front frame sleeve.

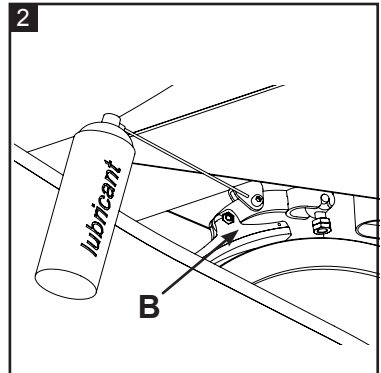
Then, reinsert the handlebar post into the frame and adjust it to the desired height. Next, loosen the front lock handle and slide the handlebar carriage as far backward as possible. Apply a small amount of lubricant spray to a lint-free cloth, and clean the surface of the handlebar slide. Then, slide the handlebar carriage as far forward as possible and clean the top of the handlebar slide. Finally, adjust the handlebar to the desired position.

Monthly maintenance:

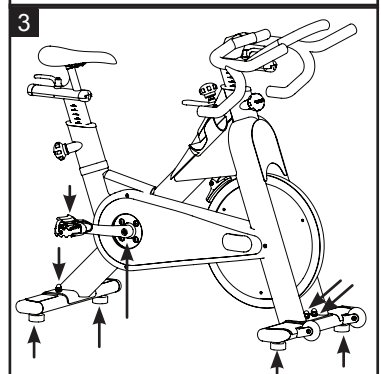
1. To maintain the smooth function of the adjustment knobs controlling the handlebar and saddle, the metal threads on the adjustment knobs (A) must be lubricated. Use of white lithium grease is recommended.



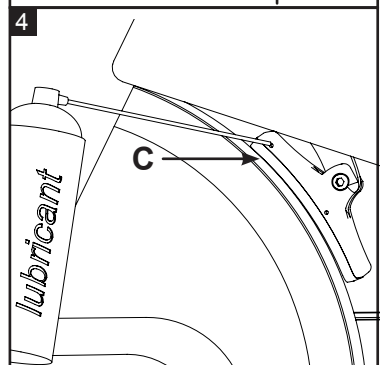
2. To maintain the easy adjustability of the resistance system, the threads on the lower end of the brake rod should be lubricated. First, turn the resistance knob clockwise until it stops. Next, look under the right or left side of the frame and locate the brake rod (**B**), which has two lock nuts on its lower end. Apply a small amount of synthetic grease (white lithium grease) to the threads on the brake rod above the two lock nuts. Then, turn the resistance knob counter-clockwise until it stops.



3. Some parts of the Matrix S-Series Indoor Cycle may become loose as a result of repeated use. Check pedals, toe clips, and pedal straps, and make sure that they are properly tightened. Next, check all exposed screws, bolts, and nuts, and make sure that they are properly tightened. Finally, check the saddle to make sure that it is not loose or damaged. Please use Lockite on loose crank arm and pulley screws.



4. The brake pad will become worn as a result of repeated use. The Matrix S-Series Indoor Cycle should not be used if the emergency brake system is not working properly (see page 14)! Should you feel that the resistance system's functions are deficient, it is essential to fine-tune the resistance system before the bike is used again! Please check the setting of the brake system as follows: First turn the resistance regulator on the brake system as far as it will go to the left (minimum braking effect). If the setting is correct, the brake pads should be flush with the flywheel and barely touching so that it's possible to cycle with a hardly noticeable amount of resistance. The brake pad can be adjusted using a 10 mm wrench. Next, check the brake pad for signs of wear. If the brake pad does show signs of excessive wear, thoroughly soak the brake pad with lubricant spray using the 2 lubrication holes (**C**), and then wipe the excess off.



4. Belt drive

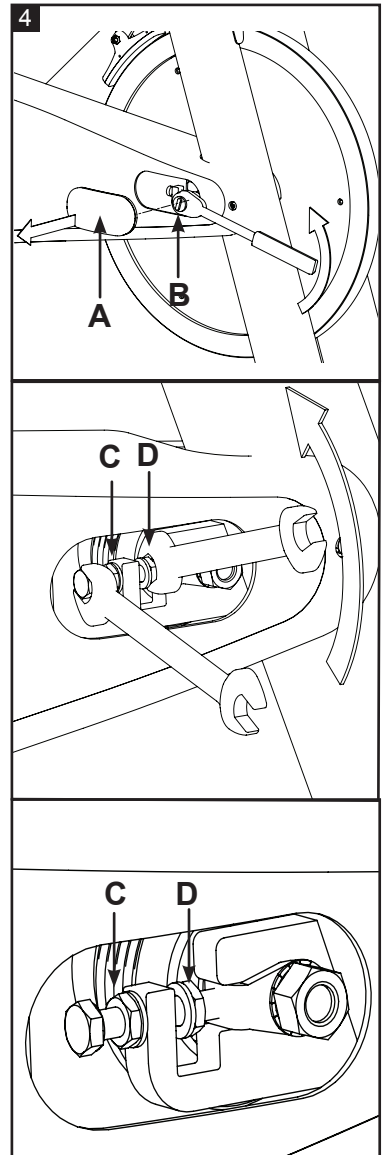
Important: A loose belt as well as an over-tightened belt may cause injury of the rider or damage to the drive system. **Checking belt tension:** To check for a loose belt, sit on the saddle, place your feet on the pedals, move the pedals until the crank arms are horizontal. Next, pull up the emergency brake handle and hold it. Then, stand on the pedals and rock forward and backward. There should be **no** play or slip in the drive train. If there is slip or play in the drive train, this indicates that the belt is too loose. **Correct a slipping belt drive train:** To adjust the belt, pull off the right and the left maintenance covers (**A**). Loosen the axle nut (**B**) on both ends of the flywheel axle by two full turns. Loosen the inner adjustment nut (**D**) facing the flywheel axle on each side of the flywheel. Next, loosen the lock nut (**C**).

Then, turn both (right and left sides) of the inner adjustment nuts (**D**) on the inside of the flywheel bracket $\frac{1}{4}$ of a turn at a time (upward on the R side and downward on L side) until the belt is properly adjusted. Make sure to turn both adjustment nuts exactly the same amount to avoid misalignment of the flywheel. Re-check if the amount of play or slip in the drive train has disappeared.

Finally, retighten the two outer lock nuts (**C**) to secure the new adjustment and retighten the two axle nuts (**B**). At last reattach the maintenance covers (**A**).

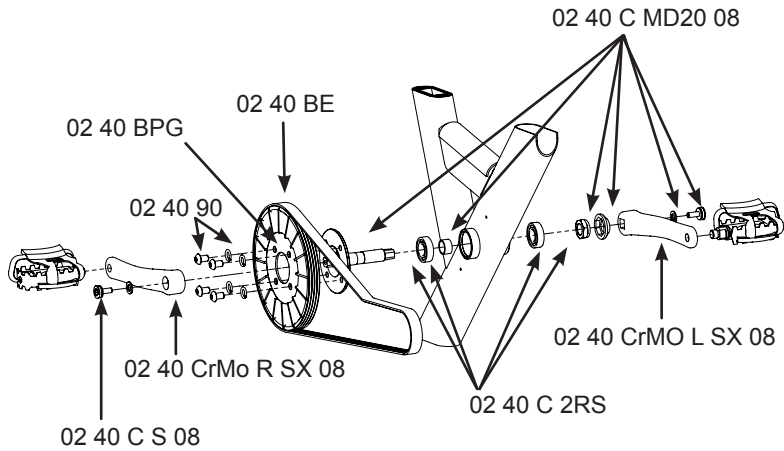
Check if **belt drive** is firmly tighten and does not slip while riding under resistance load. In case that the belt slips, proceed using the same technique as described above. Please note that a belt drive gear never shows slack. In case of adjustment do not apply too much tension.

The manufacturer recommends using an ultrasonic voltage meter adhering to a natural frequency of the belt of $103 \text{ Hz} \pm 3 \text{ Hz}$. Ball bearing damage due to incorrect belt tension is excluded from warranty.

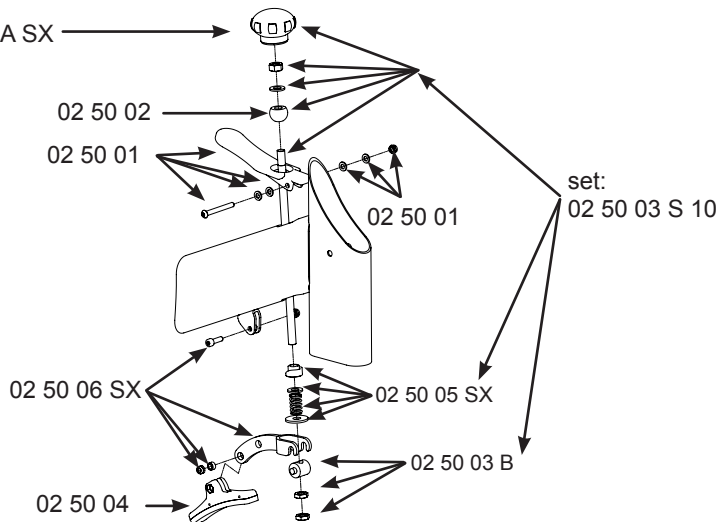


Graphics are the right side of the Bike (riding position)

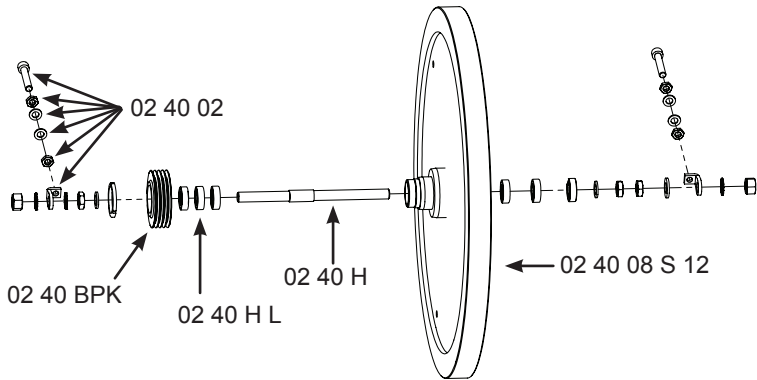
Drive Gear Parts



Brake parts



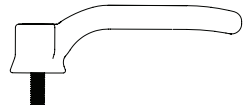
Flywheel



Handlebar

02 30 02 PK

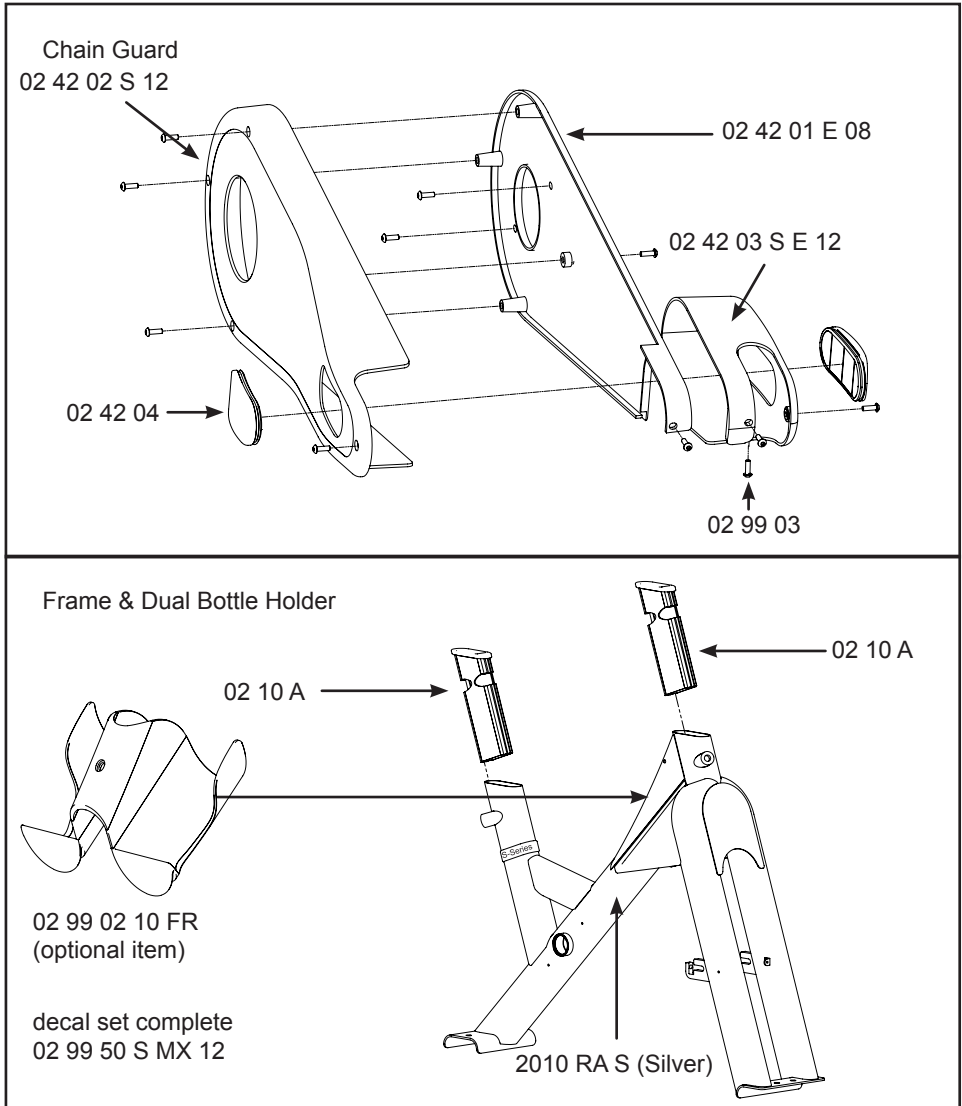
02 10 L



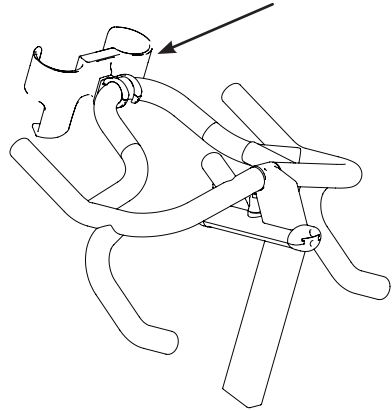
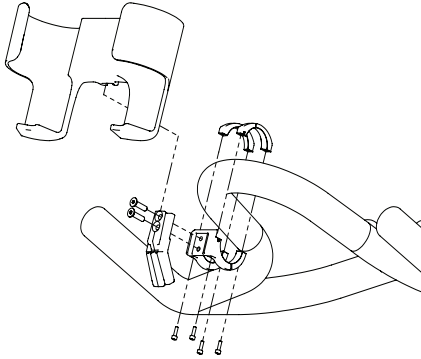
02 30 02 PK

02 30 02 LX7

02 10 B 08

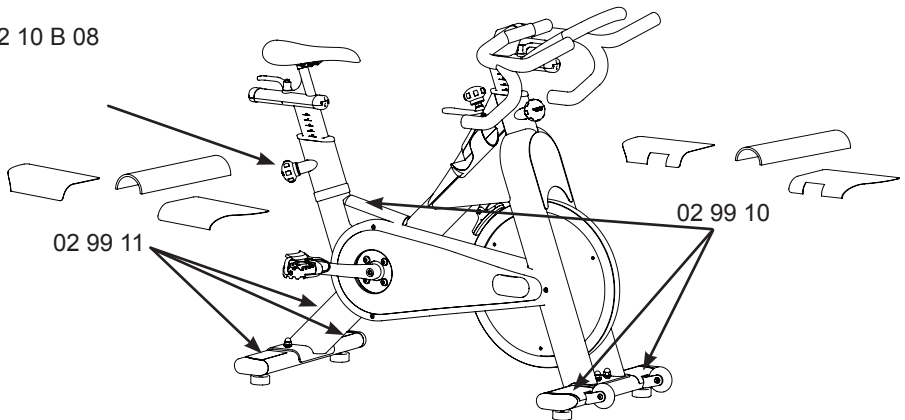


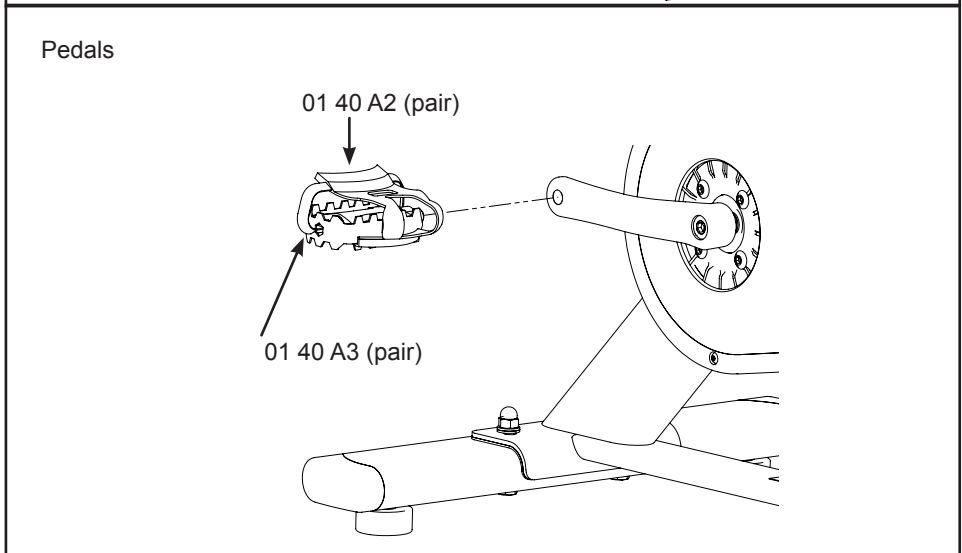
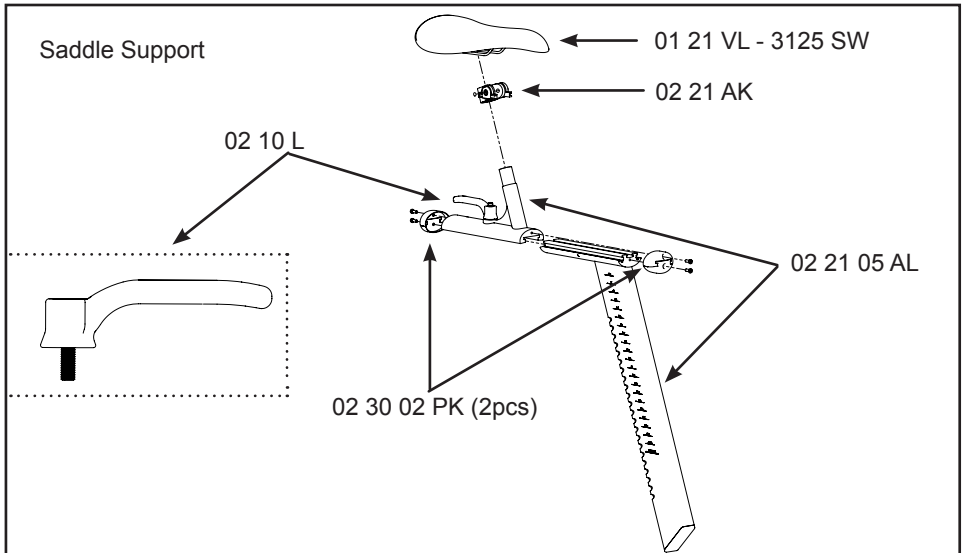
02 99 02 10 HB



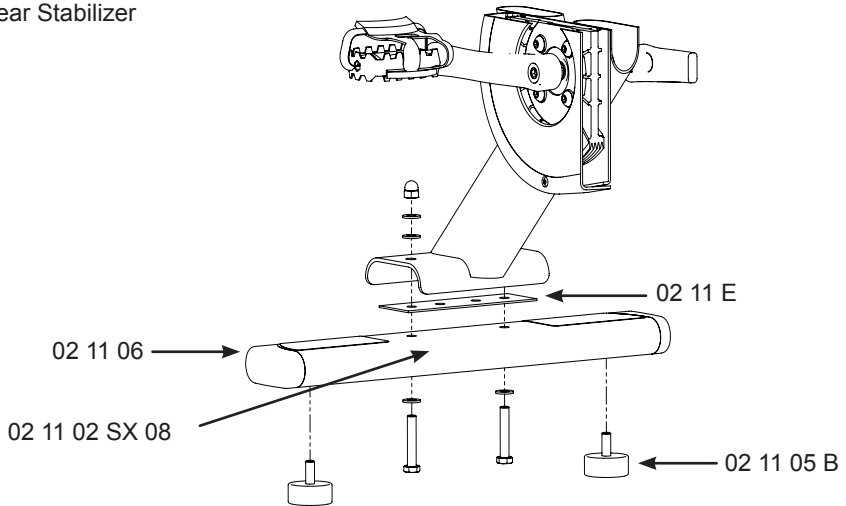
Protection Plates

02 10 B 08

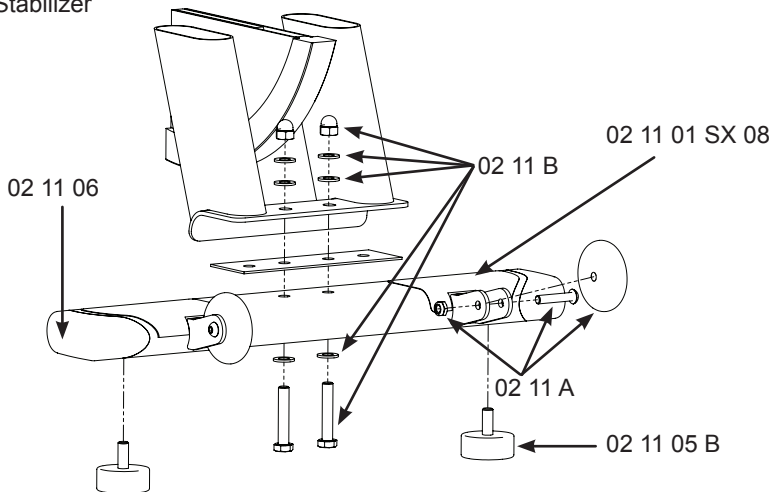




Rear Stabilizer



Front Stabilizer



SPARE PARTS LIST

Drive Gear Parts

02 40 BE	Belt
02 40 CrMo R SX 08	Right crank (silver)
02 40 CrMo L SX 08	Left crank (silver)
02 40 C S 08	Allen bolt M8x20
02 40 C MD20 08	BB assembly MD20
02 40 C 2 RS	Ball bearing SKF 6004Z

Brake Parts

02 50 A SX	Brake adjustment knob
02 50 02	adjustment ball
02 50 01	Emergency brake handle
02 50 06 SX	Bell crank
02 50 04	Brake pad
02 50 03 S 10	Upper brake rod + adj.drum
02 50 05 SX	Lower brake rod

Pedals

01 40 A 2	Combi-Pedals (pair)
01 40 A 3	Toe strap (pair)

Flywheel

02 40 H	Flywheel axle
02 40 02	Chain tensioner
02 40 H L	Flywheel bearing 6001Z

Saddle Support

01 21 VL-3125 SW	Saddle
02 21 AK	Saddle mounting bracket
02 21 05 AL	Horizontal & vertical saddle support
02 10 L	Lock handle version 2011
02 10 B LS	Pop pin adj. knob

Chain Guard

02 42 02 S 12	Outer chain guard
02 42 04	Plastic cover
02 42 01 E 08	Inner chain guard
02 42 03 S E 12	Left flywheel cover
02 99 03	Allen bolt M4x15

Frame

2010 RA S	S-Series frame (Silver)
02 10 A	Vertical insert sleeve
02 20 04	Rubber stop handleb.tube
02 10 B 08	Pop pin adj. knob
02 99 02 10 FR	Bottle Holder (sweat guard)
02 99 02 10 HB	Bottle Holder (handlebar)

Front Stabilizer

02 11 01 SX 08	Front stabilizer
02 11 B	Stabilizer mounting kit
02 99 10	Front protection plates (3pc.)
02 11 A	Transport wheel

Rear Stabilizer

02 11 E	PVC gasket
02 11 02 SX 08	Rear stabilizer
02 11 06	Plastic end cover (front/rear)
02 11 05 B	Rubber foot stand
02 99 11	Rear protection plates (3pc.)

Handlebar

02 30 02 LX7	racing handlebar „LX7“
02 10 L	Lock handle version 2011
02 10 B 08	Pop pin adj knob

Matrix Fitness System Corp. warrants that all new equipment will be free of manufacturing defects in workmanship and materials, becoming effective on the date of original installation. Parts repaired or replaced under the terms of this warranty will be warranted for the remainder of the original warranty period only. **Warranty may vary by region or country.** Please contact www.matrixfitness.com

Defects caused by inappropriate use or handling of the product may cause denegation of the manufacturer warranty.

LIMITED WARRANTY Matrix S-Series

- | | |
|---------------------------|--|
| 10 years warranty: | Frame construction and welding |
| 3 years warranty: | Handlebar and saddle assembly, brake system (excluding brake pad), lever handles and knobs, cranks, belt drive system, bottom bracket assembly, flywheel and hub assembly, powder coating. |
| 2 years warranty : | Pedals, insert sleeves for handle bar and saddle post, leveling feet. |
| 1 years warranty: | Saddle construction |

The following wear items are excluded from warranty:

Pedal straps, pedal binding system, water bottle holder.

MATRIX



Matrix S-series

Modelo n°:
IC-MXSB-01

Fabricado por:
Indoorcycling Group GmbH
Happurger Str. 86
90482 Nuremberg | Germany
www.indoorcycling.com
info@indoorcycling.com

MATRIX Fitness Systems Corp.

1610 Landmark Drive
Cottage Grove, WI 53527
Toll-free: 866.693.4863
Local: 608.839.8686
www.matrixfitness.com

Nota Importante:

Lea todas las instrucciones y precauciones en este Manual antes de la puesta en servicio de la bicicleta y observe todas las instrucciones descritas para montaje, mantenimiento y funcionamiento del aparato.

¡El uso y manejo inapropiado, montaje incorrecto y la falta de mantenimiento puede causar cancelación de la garantía!

Advertencias Importantes	3
Introducción	4
Montaje de Matrix S-Series	5-7
Chequeo inicial de instalación	8
Ajuste correcto de Matrix S-Series	9-11
Regulación y ajuste de la resistencia	12
Estabilidad de Matrix S-Series	12
Mantenimiento preventivo	13
Mantenimiento cada día	13
Mantenimiento cada semana	13
Mantenimiento cada dos semanas	14-15
Mantenimiento cada mes	15-16
Accionamiento por correa	17
Lista de chequeo y Plan para trabajos de cuidado y mantenimiento	18-19
Dibujos de los componentes y módulos	20-25
Lista de piezas de recambio	26
Garantía	27

Especificaciones técnicas

La bicicleta Matrix S-Series corresponde, conforme a EN 957, a la clase de usuario S y está clasificada para el uso en un entorno controlado, como por ejemplo en centros deportivos y gimnasios bajo la dirección de un entrenador o instructor.

Peso de la bicicleta:	51 kg / 113 lbs
Peso máximo del usuario:	130 kg / 287 lbs
Superficie de apoyo requerida:	55 x 115 cm / 21.6 x 45.3 inch
Altura máxima del manillar:	115 cm / 45.3 inch
Altura máxima del sillín:	115 cm / 45.3 inch

La bicicleta está diseñada para acomodarse a usuarios de una talla de 150 a 205 cm / 59.1 to 81.7 inch

ADVERTENCIA

Para reducir el riesgo de lesiones por manejo inadecuado del aparato, por favor lea atentamente y observe las siguientes advertencias e informaciones de seguridad antes de empezar a usar la bicicleta Matrix S-Series.

1. El propietario es el único responsable de asegurar que todos los usuarios de la bicicleta Matrix S-Series estén informados del uso adecuado y pertinente de la bicicleta y de autorizar el uso autónomo de la bicicleta sólo previa iniciación por un entrenador o instructor cualificado (ver página 9-12).
2. El montaje y la comprobación de la bicicleta Matrix S-Series sólo deben ser llevados a cabo como descrito en el Manual de instrucciones (página 5-8).
3. La bicicleta Matrix S-Series sólo debe ser utilizada para ciclismo bajo techo y lugares secos y no debe ser expuesta a humedad o entornos con polvo excesivo. El aparato está diseñado para el uso en áreas cerradas.
4. Instale la bicicleta Matrix S-Series sobre una superficie plana y sólida. Si desea proteger especialmente el lugar de instalación de arañazos o suciedades, etc., le recomendamos que coloque una alfombrilla antideslizante apropiada bajo el aparato. Asegúrese que haya suficiente espacio alrededor de la bicicleta para montar, desmontar y pedalear sin peligro.
5. Realice regularmente los trabajos de cuidado, mantenimiento y servicio descritos en este Manual. Reemplace las piezas defectuosas inmediatamente y no utilice el aparato hasta el término de la reparación. Sólo use piezas originales del fabricante.
6. Jóvenes menores de 14 años sólo deben utilizar la bicicleta bajo supervisión de un instructor o entrenador cualificado.
7. La bicicleta está diseñada para un peso máximo de usuario de 130 kg. La bicicleta Matrix S-Series no debe ser usada por personas que excedan este peso máximo admisible.
8. Use ropa de deporte o de ciclismo adecuada y ceñida al cuerpo, calzado firme, preferentemente deportivo o zapatos profesionales para ciclismo. Atese los cordones para que no se enganchen en la bicicleta y cuide de que estén fuera de posible contacto con piezas móviles.
9. Las bicicletas no disponen de movimiento libre. Los pedales están conectados directamente con la rueda de inercia a través del sistema de accionamiento. El movimiento solamente puede ser detenido accionando el freno de emergencia o reduciendo controladamente la velocidad de pedaleo.
10. Por razones de seguridad del usuario, se aconseja que nunca ande la bicicleta Matrix S-Series completamente sin resistencia de freno.
11. Si sintiese mareos, náuseas, dolor en el pecho o detecta cualquier otro síntoma anormal, interrumpa inmediatamente la sesión de entrenamiento y consulte un médico en caso de que este malestar no se mejore.

Nota Importante:

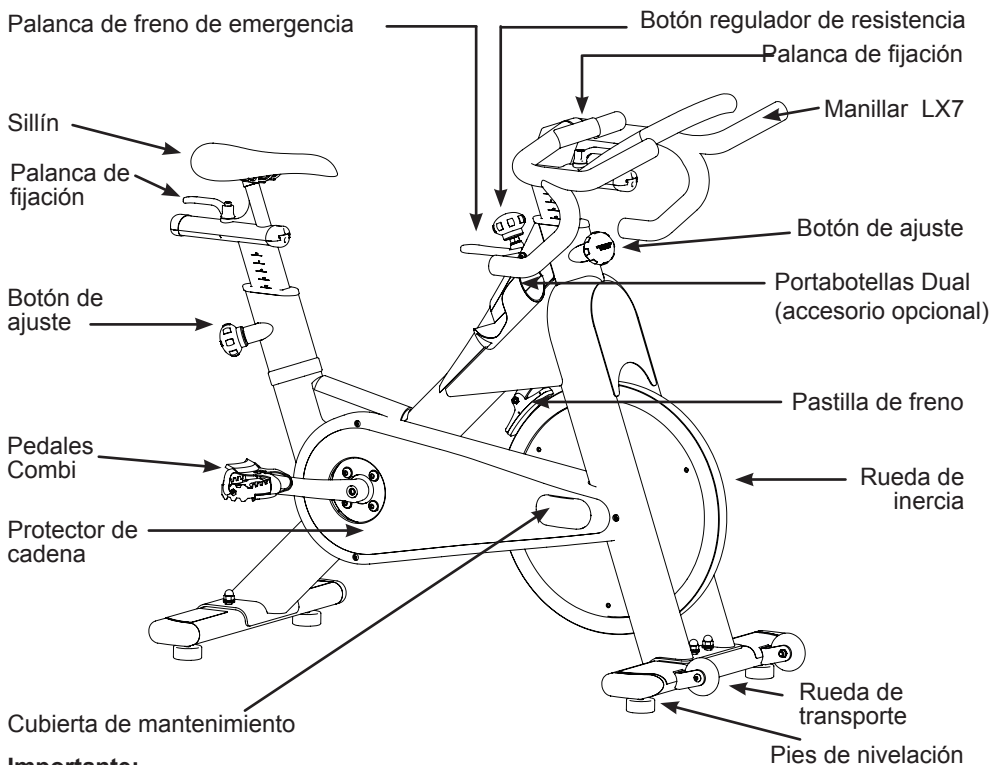
Antes de empezar un programa de , se recomienda que consulte a su médico para determinar el método de entrenamiento adecuado para usted. Esto es especialmente importante para personas con problemas preexistentes de salud. Lea todas las instrucciones antes de su utilización. Un entrenamiento incorrecto o extensivo puede resultar en series lesiones. El fabricante no asume responsabilidad por riesgos de salud, daños y consecuencias por el uso de este producto, siempre y cuando no se trate aquí de efectos secundarios debidos a defectos de material y/o fabricación y de los que se tiene que responsabilizar el fabricante.

Estimado cliente:

En primer lugar queremos darles las gracias por su confianza y felicitarle por la compra de esta bicicleta Matrix S-Series. Con esta bicicleta Indoor Matrix S-Series Vd. ha adquirido un producto de alta calidad desarrollado en atención a los avances técnicos más nuevos y configurado para el más alto rendimiento y fiabilidad.

Sin embargo, este alto nivel de fiabilidad solamente puede garantizarse mediante un servicio y mantenimiento regular. El cumplimiento de las instrucciones contenidas en este Manual le asegurará un máximo nivel rendimiento y una larga vida útil de la bicicleta Matrix S-Series con bajo mantenimiento y una continuidad de funcionamiento sin problemas durante muchos años.

Palanca de freno de emergencia

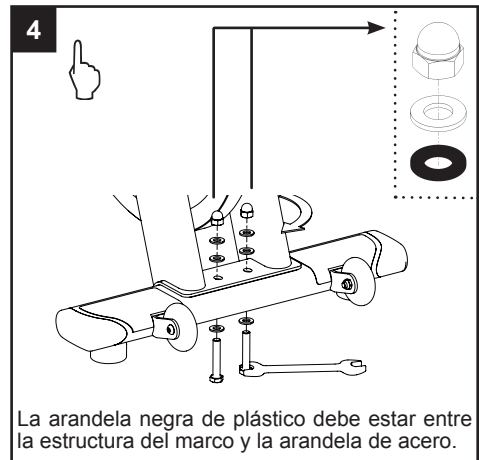
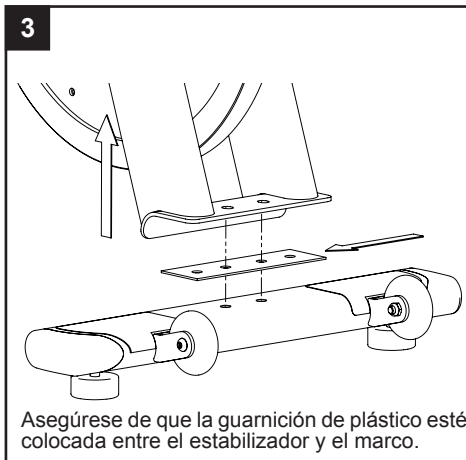
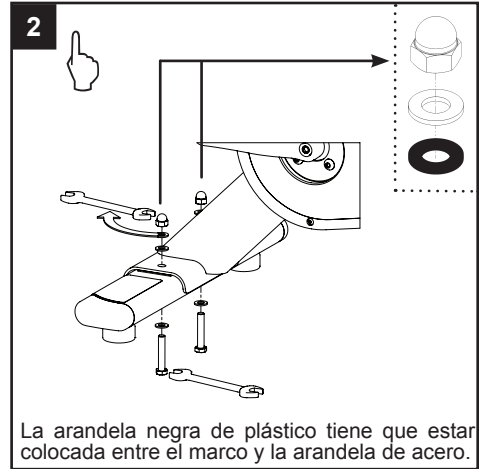
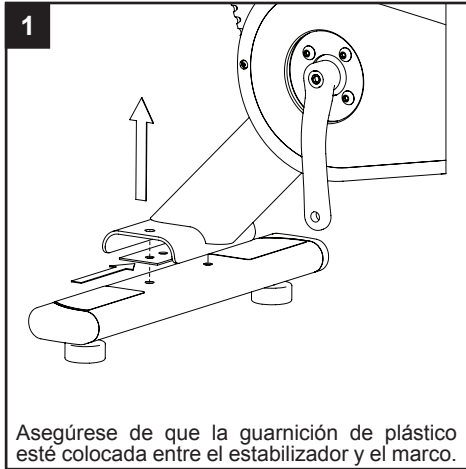
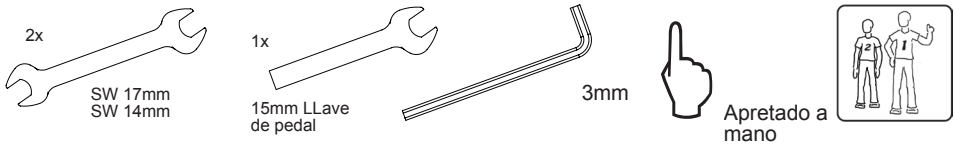


Importante:

El código de producción de la bicicleta Matrix S-Series se encuentra en la placa de características técnicas ubicada en la parte inferior del tubo de marco cerca de la biela del pedal izquierdo. Por favor, registre este código de producción en las listas de servicio y mantenimiento. En todas las cuestiones de garantía deberá indicar necesariamente el código de producción.

MATRIX

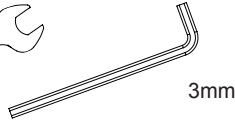
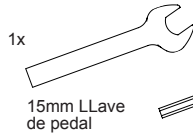
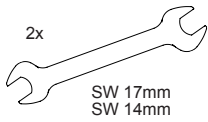
MONTAJE DE S-SERIES INDOOR CYCLE



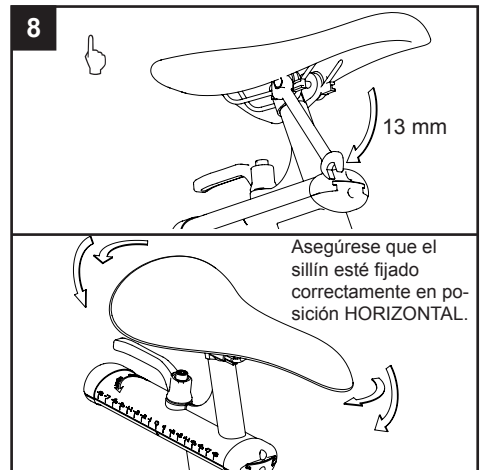
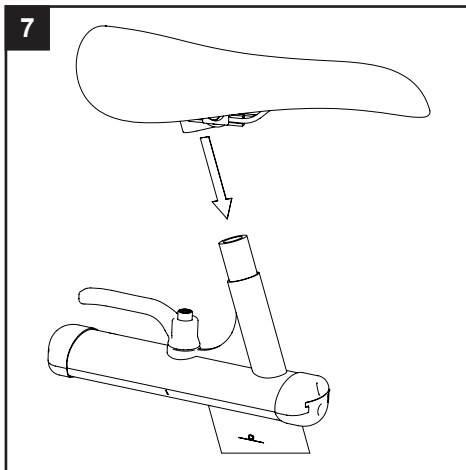
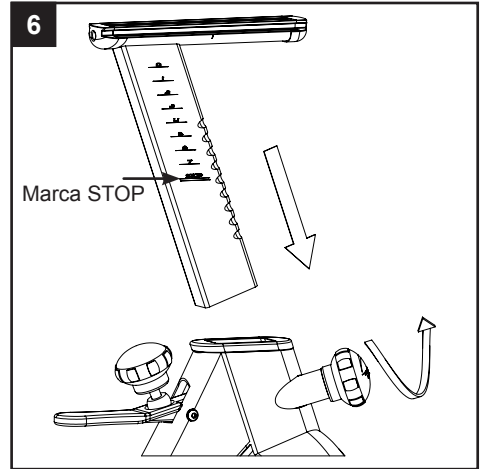
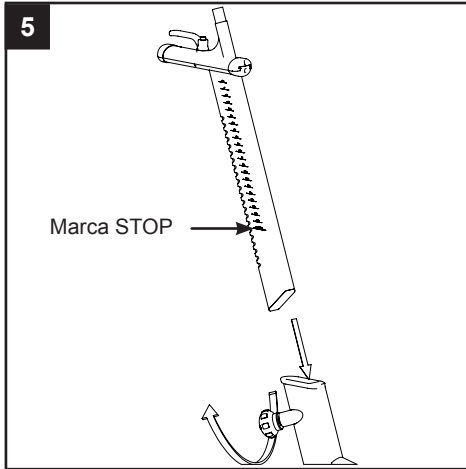
Importante:
Asegurar de que todos los elementos de unión y conexión estén apretados fuertemente.

MATRIX

MONTAJE DE S-SERIES INDOOR CYCLE



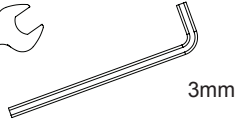
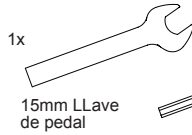
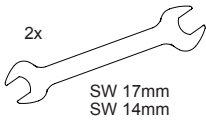
Apretado a
mano



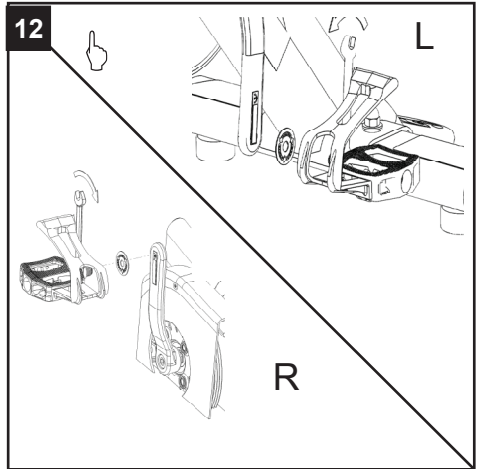
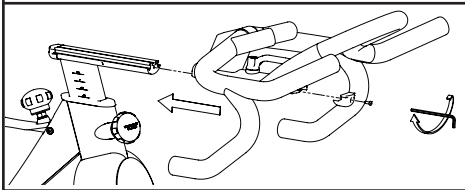
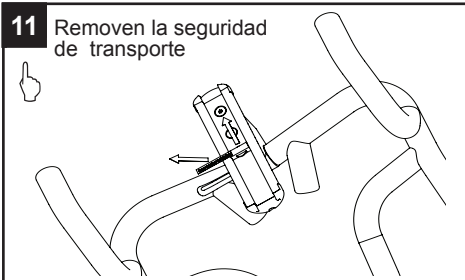
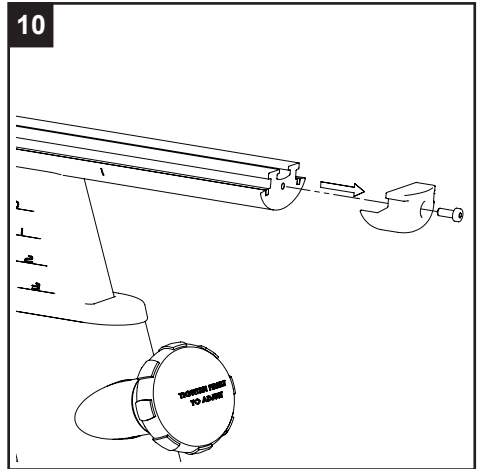
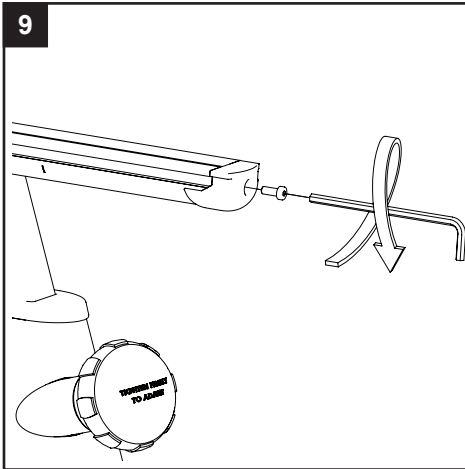
Las abrazaderas del sillín deben estar bien apretadas para evitar que se suelten durante el uso.

MATRIX

MONTAJE DE S-SERIES INDOOR CYCLE



Apretado a
mano



Pedal derecho, marcado con la letra (R), montado en sentido horario en la biela derecha (R).
Pedal izquierdo, marcado con la letra (L), montado en sentido antihorario en la biela izquierda (L).

Preste atención a que los pedales estén bien montados y apretados para evitar que la unión atornillada se suelte durante el funcionamiento.

#Los ajustes deben realizarse durante la instalación inicial de la bicicleta indoor para garantizar un nivel de rendimiento óptimo y una vida útil de larga duración. Por favor, lea y siga exactamente las siguientes instrucciones. Si las bicicletas no se instalan y ajustan en la forma descrita, los componentes pueden estar expuestos a un desgaste excesivo y sufrir daños. Para preguntas en relación a la instalación diríjase a: service@indoorcycling.com

Nota: Para algunos procedimientos de mantenimiento se requieren lubricantes. Como fabricante recomendamos el uso de un spray lubricante sin disolvente, silicona y acedia (p. ej. Brunox) y grasa de litio blanca.

1. Por favor asegúrese de que la bicicleta Matrix S-Series esté nivelada. Si se balancea sobre el piso, corrija el combamiento o la inclinación ajustando las ruedecillas de nivelación debajo del estabilizador delantero o trasero hasta que el movimiento de balanceo quede eliminado. Cuide de que los piecesillos no estén desenroscados más de 10mm.
2. Compruebe el funcionamiento correcto del freno de emergencia.
3. Calibración del sistema de frenos: Gire el botón regulador de resistencia en sentido antihorario hasta el tope (efecto mínimo de resistencia) y asegúrese de que haya una leve separación entre la zapata y la rueda de inercia. La zapata debe tocar muy levemente la rueda de inercia cuando el botón regulador de resistencia esté girado en sentido antihorario hasta el tope.
4. Aplique abundante spray lubricante sobre la zapata de freno usando para ello los orificios de lubricación en la pieza de plástico de la zapata y de afuera sobre la almohadilla de fieltro. Asegúrese de que la zapata está bien empapada con spray lubricante. Luego quite el exceso de la rueda de inercia con un paño. Recomendamos que use una botella de rociado recargable y la llene con el lubricante sin aerosol y sin ácido para proteger el medio ambiente.
5. Aplique grasa de litio sobre las roscas de metal en el extremo inferior del tirante de freno. Primero gire el botón regulador de resistencia en sentido horario hasta que se pare. Aplique un poco de grasa de litio sobre las roscas en el tirante de freno encima de las dos tuercas estriadas. Luego gire el botón regulador de tensión en sentido antihorario hasta que se pare.
6. Aplique grasa de litio en las roscas de metal en todos los botones de ajuste.
7. Compruebe si las cuatro (4) llaves Allen están bien apretadas. Si están flojas, aplique pegamento especial para roscas LocTite Threadlocker Blue-242 y vuelva a apretarlas.
8. Compruebe si las dos llaves Allen con las que están fijadas las bielas (en el lado derecho e izquierdo de la caja de pedalier), están bien apretadas. Si están flojas, aplique pegamento especial para roscas LocTite Threadlocker Blue-242 en las roscas de los tornillos y vuelva a apretarlas.
9. Compruebe la tensión de la correa de transmisión. Verifique si el accionamiento por correa está bien apretado y si al andar bajo resistencia funciona sin resbalar. Si resbala debe seguir las instrucciones de ajuste indicadas en página 17.
10. Humedecer un paño con spray lubricante y limpiar el marco.
11. Algunas piezas de la bicicleta Matrix S-Series pueden soltarse durante el transporte. Compruebe las bielas, todos los tornillos expuestos, pernos, tuercas y asegúrese de que estén apretados y tensados fijamente.

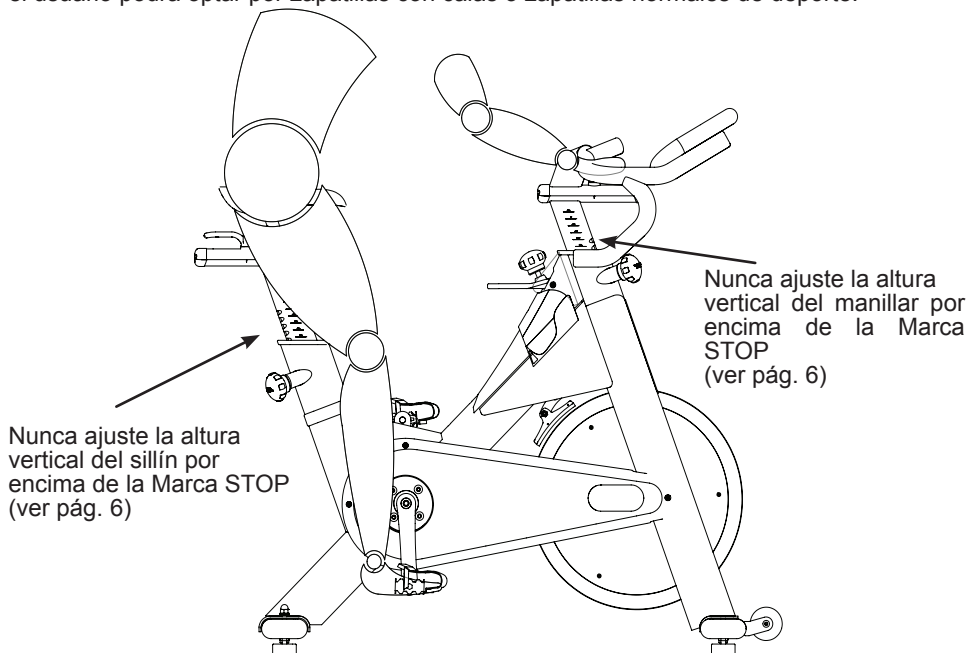
Servicio de atención al cliente

1. Entregue al cliente las instrucciones para el mantenimiento básico y haga referencia a las instrucciones de mantenimiento detalladas (pág. 13-19).
2. Firme la hoja entregada al cliente como prueba de que se han explicado los procedimientos de mantenimiento y entregado el Manual y que se ha hecho una verificación de la condición de la bicicleta.

La bicicleta Matrix S-Series puede ser ajustada de forma muy variable y adaptada a los requerimientos de los distintos grupos de usuarios para garantizar un óptimo confort y un máximo nivel de entrenamiento del ciclista. Las instrucciones de ajuste que se describen a continuación garantizan una postura ideal del cuerpo adaptándose totalmente a la fisonomía del usuario. El usuario tiene varias variantes para ajustar su posición de asiento personalizada.

Ajuste de los pedales:

Móntese en el sillín en posición de hacer ejercicio y mantenga la cadera recta. Coloque el pie en el pedal más cercano al suelo, en la jaula del pedal y fíjelo bien, pero no demasiado fuerte. Asegúrese de que las bielas están en vertical como se muestra en la ilustración. Nota: Si la bicicleta está equipada con un el sistema de pedales combi con calas (SPD), el usuario podrá optar por zapatillas con calas o zapatillas normales de deporte.



Precaución:

No apriete demasiado fuerte las cabezas de tornillo, Vd. puede dañar las piezas de aluminio de los tubos verticales del manillar y sillín.

Ajuste de la altura del sillín

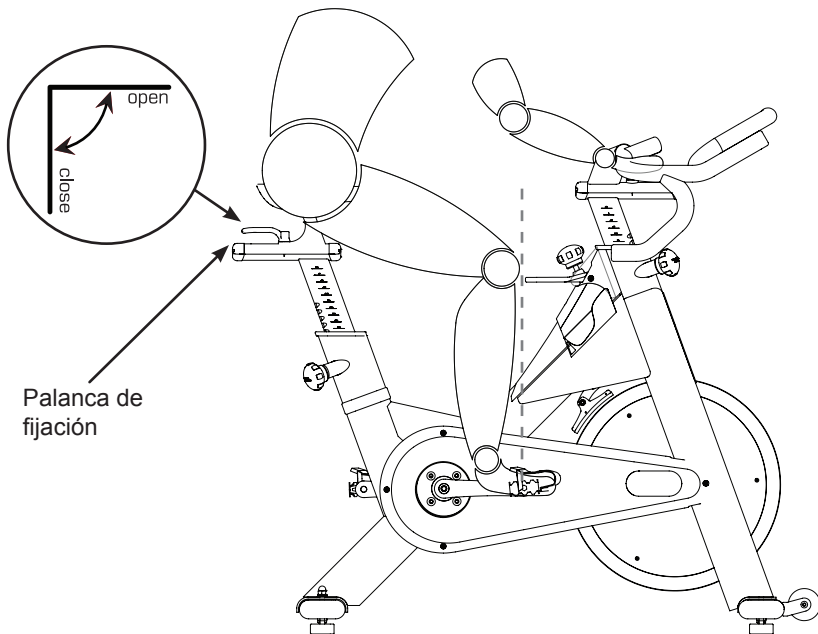
Empiece a pedalear despacio hasta que el pedal llegue a la posición indicada en la ilustración. El soporte del sillín vertical tiene que estar ajustado de modo que las rodillas siempre estén ligeramente flexionadas y la cadera no ladeada.

Por favor, no realice el ejercicio con las rodillas estiradas y la cadera ladeada.

Regulación horizontal del sillín:

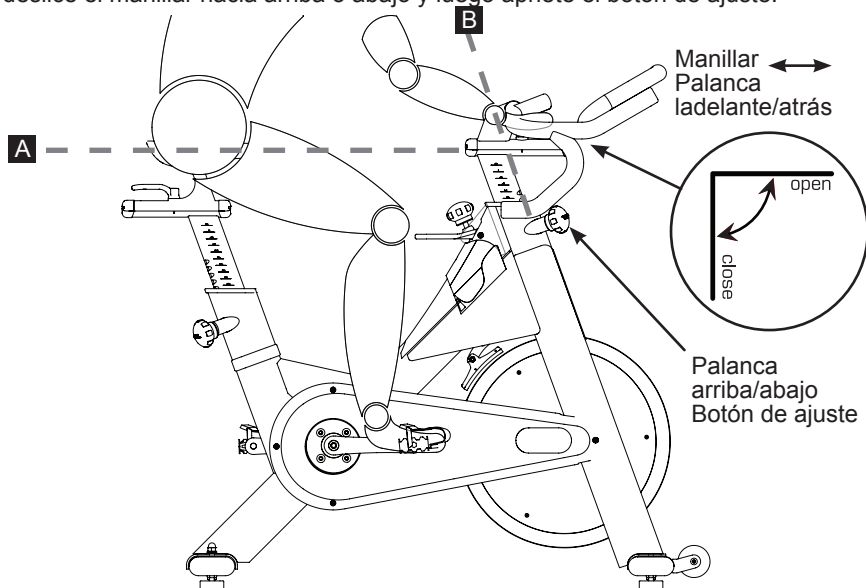
La posición horizontal del sillín es muy importante para evitar lesiones en las articulaciones de las rodillas. Móntese en el sillín y mueva los pedales hasta que las bielas estén en posición horizontal.

La rodilla de la pierna delantera flexionada debe hallarse directamente encima del eje del pedal, creando una línea perpendicular entre rodilla y centro del pedal (ver la línea rayada en la ilustración de abajo). Para ajustar la posición horizontal del sillín, desmóntese primero de la bicicleta Matrix S-Series. Luego afloje la palanca de fijación, deslice la guía corredera del sillín hasta la posición deseada y apriete firmemente la palanca de fijación para fijarla



Posicionamiento del manillar:

Para usuarios poco experimentados, el manillar debe estar ajustado más o menos a la misma altura que el sillín (línea rayada A) y encontrarse en la marca de posición "0" (línea rayada B). Si sus rodillas tocan el manillar al pedalear de pie (erguido) o si esta posición de asiento es incómoda haciendo ejercicio durante un tiempo extenso o le duele la espalda, Vd. puede subir un poco la altura del manillar. Nunca ajuste la altura vertical del manillar por encima del nivel de la marca Stop. A continuación, gire el botón de ajuste en sentido horario, deslice el manillar hacia arriba o abajo y luego apriete el botón de ajuste.



Luego procedemos al ajuste de la posición horizontal del manillar. Si el manillar está demasiado cerca del sillín puede ser que Vd. se sienta restringido al respirar, y si el manillar está demasiado lejos del sillín puede ser que le duela la espalda. Para ajustar la posición horizontal del manillar, desmonte primero de la bicicleta Matrix S-Series. Para comprobar si la posición del manillar es correcta, apoye el antebrazo acodado en el extremo delantero del sillín formando un ángulo de 90 grados y toque con la punta de su dedo medio el punto central del manillar. Para ajustar el manillar a la posición correcta suelte la palanca atrás/adelante hasta que su dedo medio toque el manillar en el punto central.

El manillar (multiposición) ofrece múltiples posiciones de mano y posibilidades de ajuste que permiten al usuario entrenado encontrar fácilmente su posición idónea de asiento y de apoyo de las manos. Durante unidades de ejercicio más largas se recomienda cambiar en intervalos regulares la posición de manos para evitar un esfuerzo unilateral y monótona de músculos, ligamentos y articulaciones.

Ajuste de la resistencia de freno:

Para un control de esfuerzo individualizado de su ejercicio, este aparato dispone de un botón de regulación de resistencia que permite un microajuste. Para aumentar la resistencia de freno, gire el botón de ajuste de freno en sentido horario y para disminuirla en sentido antihorario.

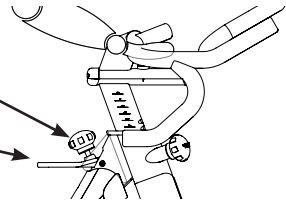
Importante:

No pedalear nunca hacia atrás. Este movimiento pone la bicicleta en riesgo y puede causar que los pedales se desenrosquen de las bielas. Para detener la rueda de inercia en funcionamiento tiene que tirar la palanca roja del freno de emergencia hacia arriba. Durante el entrenamiento se debe prestar atención a que si usa zapatos normales de deporte, éstos estén colocados en las jaulas de los pedales o si utiliza zapatos profesionales de ciclismo

La bicicleta Matrix S-Series no dispone de sistema de transmisión con movimiento libre. La rueda de inercia está conectada fijamente con el eje de los pedales, por lo que los pedales continuarán moviéndose junto con la rueda hasta que la rueda pare por completo. Por favor, controle siempre sus movimientos y reduzca la velocidad de forma controlada. Para detener de inmediato la rueda de inercia, tire la palanca roja del freno de emergencia hacia arriba. Freno de emergencia => accionar la palanca roja del freno de emergencia.

Botón regulador de resistencia

Palanca roja de freno de emergencia

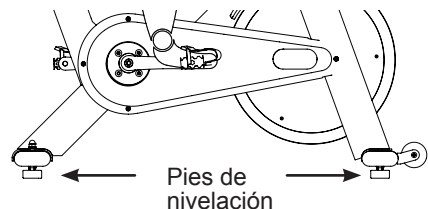


Cómo desplazar la bicicleta Matrix S-Series:

Por el peso que tiene la bicicleta se recomienda que se movida por dos personas. Para prevenir accidentes y daños es necesario que el ajuste vertical del manillar sea fijado antes de mover la bicicleta. Mientras una persona eleva la parte trasera de la bicicleta, la segunda persona sostiene fijamente el manillar e inclina ligeramente la bicicleta hacia adelante hasta que ruede sobre las ruedas de transporte. Mover con cuidado la bicicleta y prestar especial atención ante posibles irregularidades del suelo para que la bicicleta no se tumba hacia un lado. **Mantenga una distancia mínima de 50 cm. con los otros aparatos.**

Compruebe el equilibrado perfecto de la bicicleta Matrix S-Series en su nuevo lugar de empleo y, de ser necesario, ajuste los pies regulables en altura ubicados en el lado inferior de los estabilizadores para garantizar la estabilidad deseada.

Importante: ¡A ser posible, mantenga los pies de apoyo enroscados. Por favor no los desenrosque más de 1 cm!



MANTENIMIENTO PREVENTIVO

Para conseguir un alto nivel de seguridad operativa y buen funcionamiento, deberá leer detenidamente y cumplir las siguientes instrucciones de manejo, cuidado y mantenimiento para la bicicleta Matrix S-Series, que incrementarán la vida útil del aparato en condiciones apropiadas. ¡Trabajos de cuidado y mantenimiento no realizados en los intervalos periódicos aconsejados producen un desgaste excesivo de los componentes y pueden causar cancelación de la garantía! Si tiene preguntas sobre este tema, en cualquier caso no dude en ponerse en contacto con su distribuidor local o bajo www.indoorcycling.com.

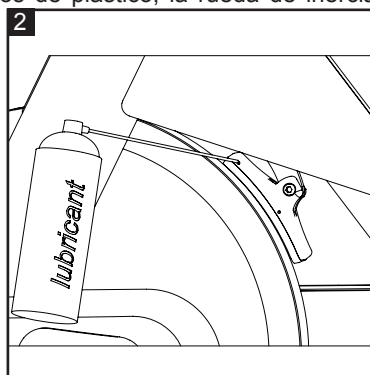
Nota: Utilice únicamente productos de limpieza y cuidado sin agentes agresivos ni disolventes. Los fabricantes recomiendan por ejemplo Brunox o cualquier otro lubricante sin disolvente, silicona y acedia

Mantenimiento cada día:

1. **Comprobación del equilibrio del aparato:** Si la bicicleta Matrix S-Series balancea sobre el piso, corrija el combamiento o la inclinación ajustando las ruedecillas de nivelación debajo del estabilizador delantero o trasero hasta que el movimiento de balanceo quede eliminado.
2. **Limpieza:** La limpieza y desinfección periódica de la bicicleta Matrix S-Series debe realizarse, por razones higiénicas, después de cada sesión de ejercicio. Cuide de que estén a disposición suficientes paños y trapos suaves o papel para uso doméstico, productos de limpieza y desinfectantes. Después de utilizar el aparato, aplique primero un desinfectante sobre el sillín y manillar y luego remueva los residuos de sudor existentes en toda la bicicleta Matrix S-Series con un paño humedecido.

Mantenimiento cada semana:

1. **Limpieza:**
En función del uso de la máquina, es necesario realizar cada semana una limpieza profunda de la bicicleta. A estos efectos, aplique el spray de mantenimiento y cuidado sobre un paño suave y limpie todos los elementos de plástico, la rueda de inercia completa y todo el marco.
2. **Frenos:**
Para garantizar un perfecto funcionamiento del sistema de frenado y minimizar el desgaste de los forros del freno, éstos tienen que ser tratados con un spray lubricante. Aplicar el spray en los orificios previstos al efecto hasta que el forro del freno esté empapado. Forros de freno deshilachados o un desgaste desigual son claras señales de los forros están demasiado seco.



Mantenimiento cada dos semanas:

1. Freno de emergencia:

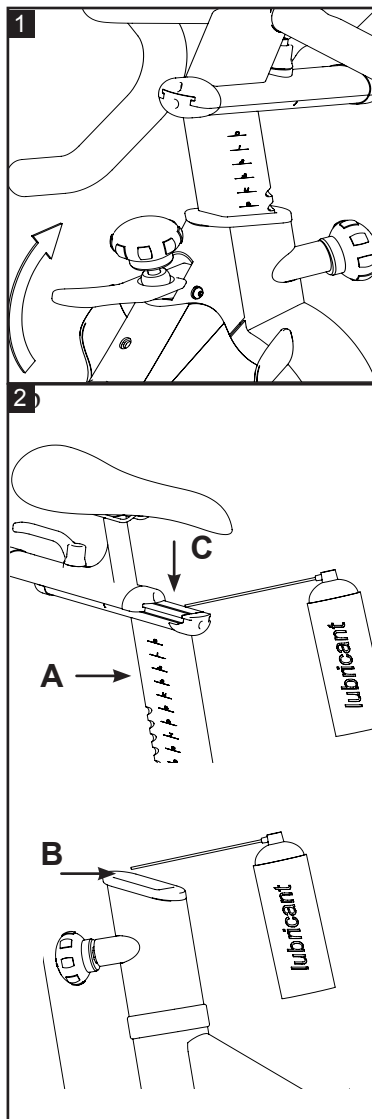
Por razones de seguridad operativa, el freno de emergencia debe ser comprobado regularmente en cuanto a su correcto funcionamiento. A este efecto, cuando esté pedaleando haga la prueba y accione la palanca roja del freno de emergencia tirando hacia arriba. El efecto de frenado óptimo se consigue si la rueda de inercia se queda parada de inmediato.

2. Sillín:

Para garantizar una fácil y suave marcha de la guía corredera de ajuste de los sillines tiene que limpiar y engrasar en intervalos regulares el soporte del sillín (tija). Gire el botón de ajuste en sentido antihorario y saque el soporte de sillín vertical completo (A) de su corredera guía, aplique el spray lubricante en la guía y pase con un paño suave por todas las superficies exteriores así como al ajuste horizontal.

Antes de introducir de nuevo el soporte de sillín en el tubo del marco aplique bastante spray lubricante de modo uniforme en las correderas guía de plástico (B) para garantizar una fácil y suave marcha del ajuste vertical.

Limpie antes los residuos de sudor en las superficies de contacto (C) del ajuste horizontal y luego aplique uniformemente el spray lubricante.



3. Manillar:

Para garantizar una fácil y suave marcha de los ajustes del manillar tiene que limpiar y engrasar en intervalos regulares el ajuste vertical y, en su caso, el ajuste horizontal del manillar (accesorio optativo). Gire el botón de ajuste en sentido antihorario y saque el manillar completo (A) de su guía, aplique el spray lubricante en la guía corredera y pase con un paño suave por todas las superficies exteriores así como al ajuste horizontal.

Antes de introducir de nuevo el manillar en el tubo del marco aplique bastante spray lubricante de modo uniforme en las correderas de plástico para garantizar una fácil y suave marcha del ajuste vertical.

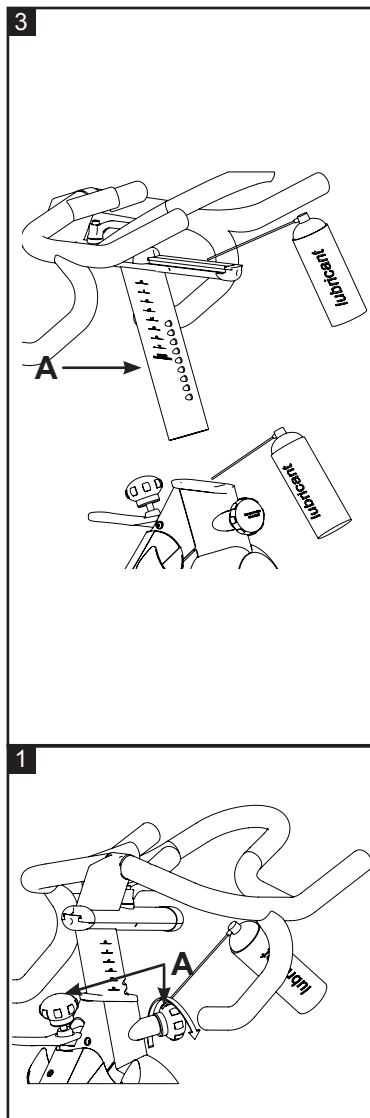
Limpie antes los residuos de sudor en las superficies de contacto (B) del ajuste horizontal y luego aplique uniformemente el spray lubricante.

Si la bicicleta Indoor tiene un computador montado en el manillar, compruebe en cada caso si el computador y el transmisor tienen el mismo número en el rótulo, lo que es indispensable para un correcto funcionamiento del computador.

Mantenimiento cada mes

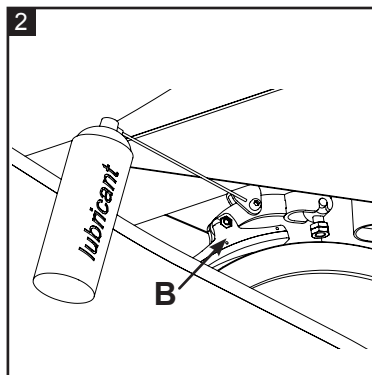
1. Botones de ajuste y de fijación:

Para garantizar el funcionamiento perfecto del ajuste de sillín y manillar vertical y horizontal (A) se tienen que engrasar las roscas y las inserciones roscadas con el spray lubricante.



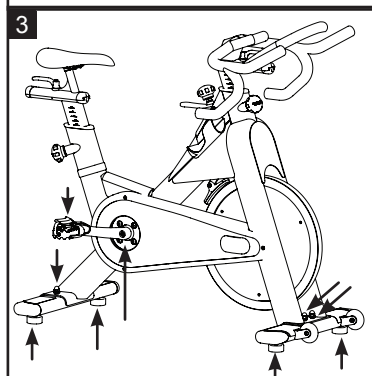
2. Sistema de frenado:

Para mantener un funcionamiento duradero y fiable es necesario engrasar el mecanismo de frenado (**B**) completo que se encuentra debajo de la protección antisudor, empleando para ello aceite especial para roscas o spray lubricante. Es muy importante que las roscas no marchen en seco a lo largo de todo su recorrido, ya que esto puede causar un excesivo desgaste.



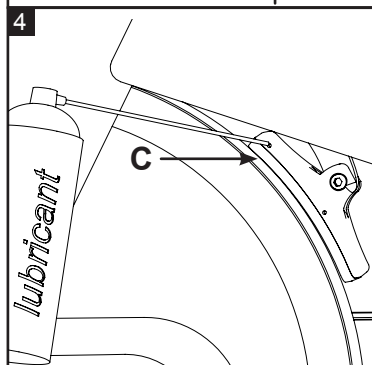
3. Elementos de unión y conexión:

Dentro del marco del plan de MANTENIMIENTO PREVENTIVO es recomendable revisar regularmente el asiento y el funcionamiento correcto de todas las piezas que puedan aflojarse en la bicicleta (tornillos, tuercas etc.) y sustituir piezas que muestren desgaste, deterioro o daños ocasionados por el uso de la máquina (forros de freno, sillín, calzapiés, correas, pedales, calas del sistema SPD).



4. Pastilla de freno:

Dependiendo de las medidas regulares de conservación y mantenimiento, el forro de freno más tarde o más temprano revelará síntomas de desgaste y deberá ser sustituido. La bicicleta Matrix E-Series no deberá ser usada mientras no funcione correctamente el freno de emergencia (ver página 14). En este caso, se puede calibrar de nuevo el sistema de frenado. Por favor consulte nuestro servicio de asistencia técnica para informaciones más detalladas y preguntas. Si los forros manifiestan los primeros síntomas de desgaste incrementado (hilachas), esto es una señal clara de que los forros de freno no han sido tratados suficientemente con spray lubricante. En este caso, aplique abundante spray lubricante en los orificios (**C**) previstos al efecto en el forro de freno (ver pag. 13).



5. Accionamiento por correa

Importante: Por razones de seguridad, el accionamiento por correa normalmente debe funcionar sin resbalar. Preste atención a que la tensión de correa se ajuste exactamente según las indicaciones del fabricante. Una tensión de correa demasiado apretada causa desgaste incrementado de la rueda de inercia y caja de pedalier lo que repercute negativamente en la vida útil del aparato. El fabricante recomienda el uso de un medidor de tensión por ultrasonido y la observación de una frecuencia propia de la correa de 103 Hz +/- 3 Hz. Daños en el cojinete de bolas debido a una tensión de correa mal ajustada quedan excluidos de la garantía.

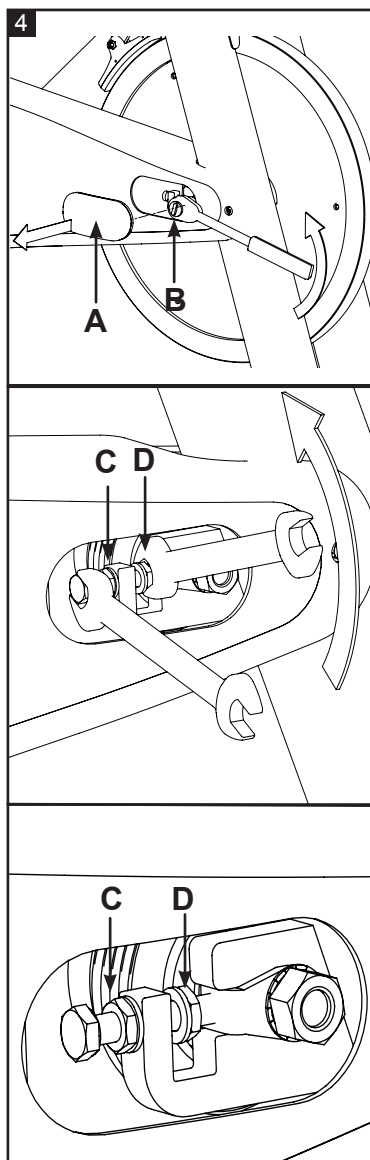
Una correa muy floja puede resbalar al rodar y causar graves lesiones del ciclista.

Comprobación de la tensión de correa: Para comprobar la tensión correcta de la correa mójese en el sillín, coloque sus pies en los pedales, mueva los pedales hasta que las bielas del pedal estén en posición horizontal. Luego accione el freno de emergencia y balancee, de pie en los pedales, hacia delante y atrás. Los pedales no deben tener juego longitudinal ni transversal si la tensión de correa es correcta.

Si la correa resbala proceda al ajuste de la tensión de correa como sigue:

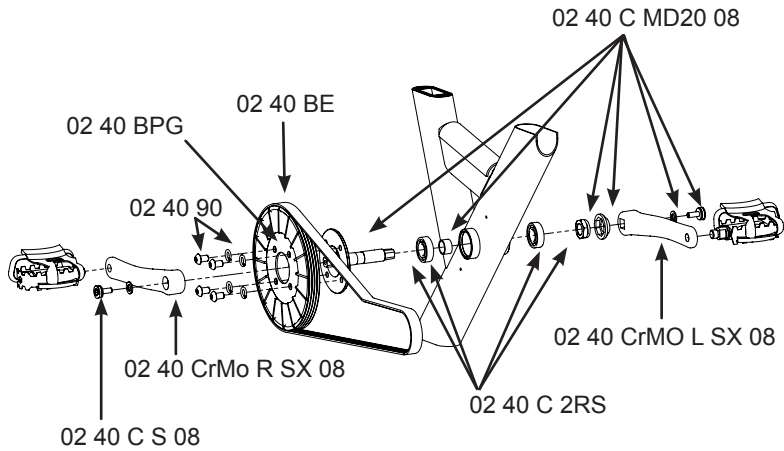
Quite las cubiertas de mantenimiento (**A**) y afloje las tuercas de eje de 17 mm en ambos lados de la rueda de inercia. A continuación, suelte las tuercas de seguro (**C**) en ambos lados del alojamiento de eje. Para un tensado uniforme de la correa preste atención a que las tuercas de ajuste (**D**) sean apretadas simultánea e uniformemente en ambos lados del alojamiento de eje. Generalmente ya basta una media vuelta en cada tuerca para obtener el efecto deseado. El apriete desperejo de los tornillos de ajuste provoca una orientación errónea de la rueda de volante y se manifiesta en forma de un desgaste incrementado de los cojinetes de la rueda de inercia.

Una vez terminado el ajuste de la tensión de correa apriete fuertemente las dos tuercas de seguro y asegúrese de que las tuercas de eje estén bien apretadas.

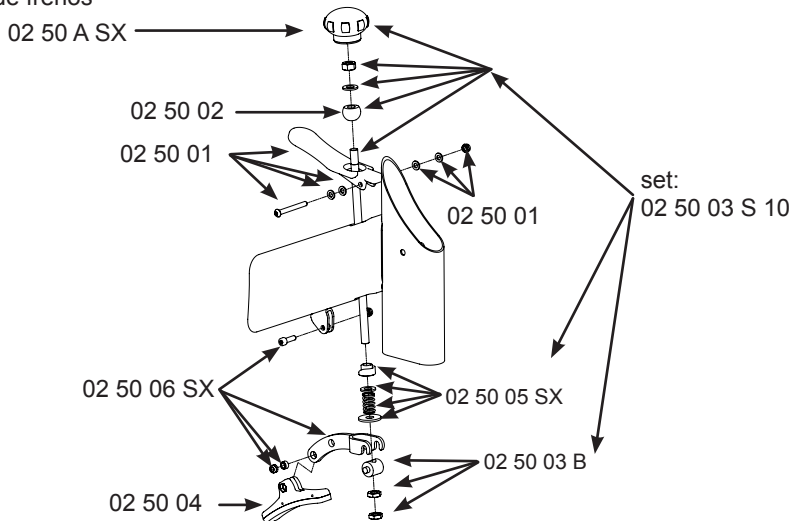


Las ilustraciones muestran el lado derecho de la bicicleta en dirección de marcha.

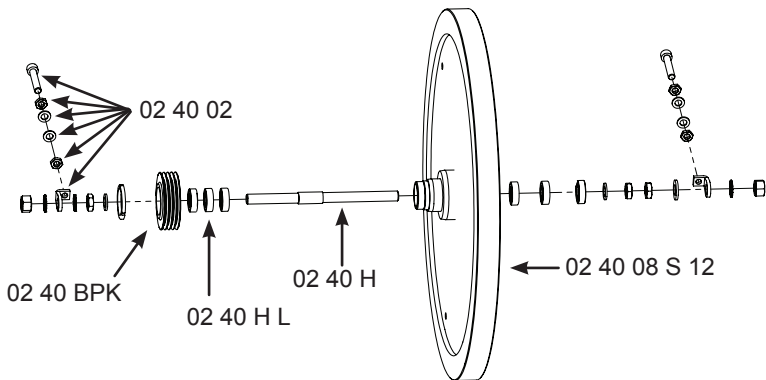
Sistema de accionamiento



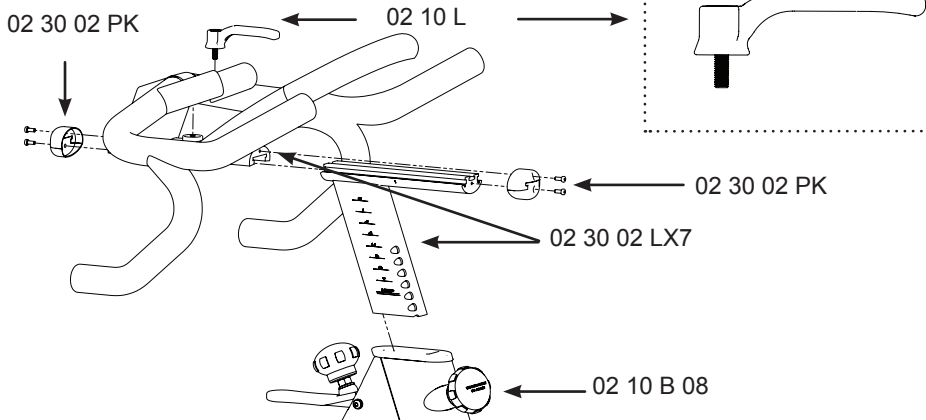
Sistema de frenos

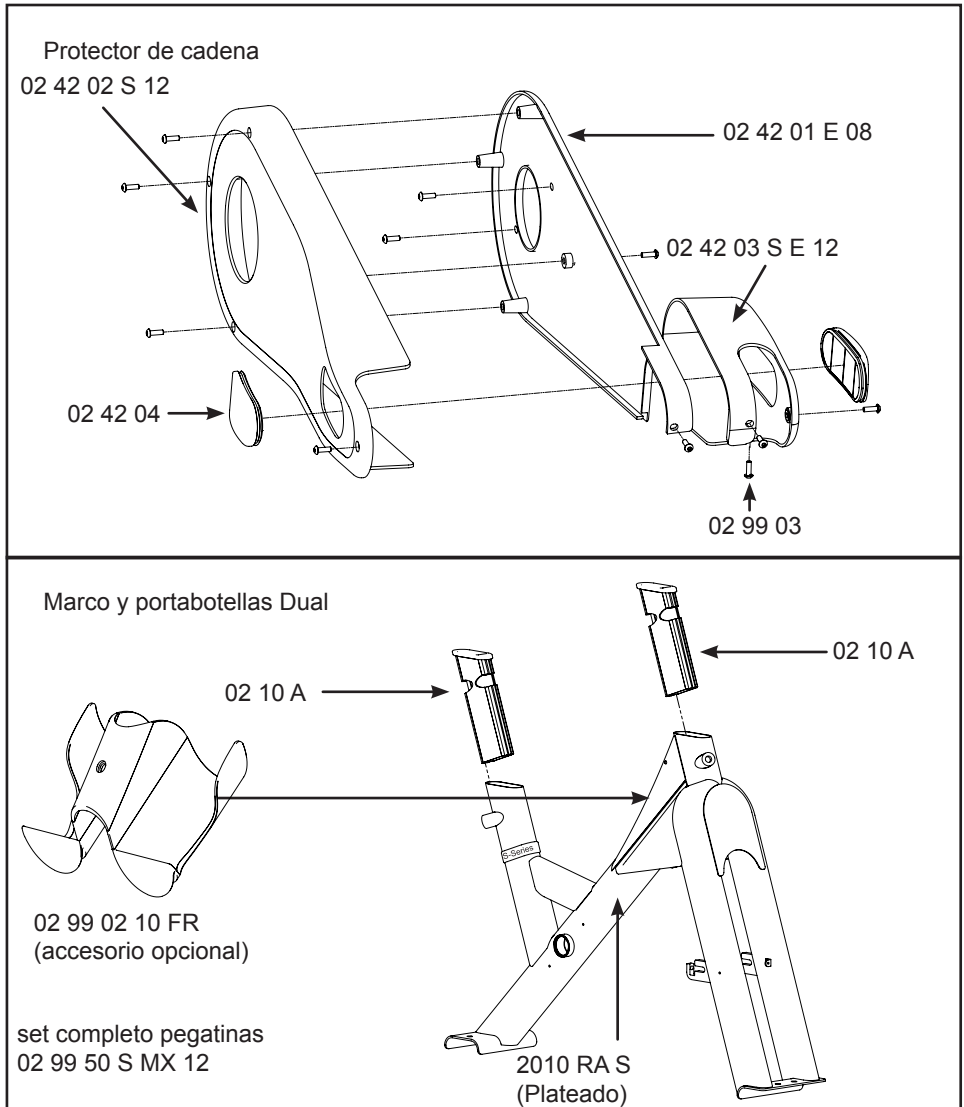


Rueda de inercia

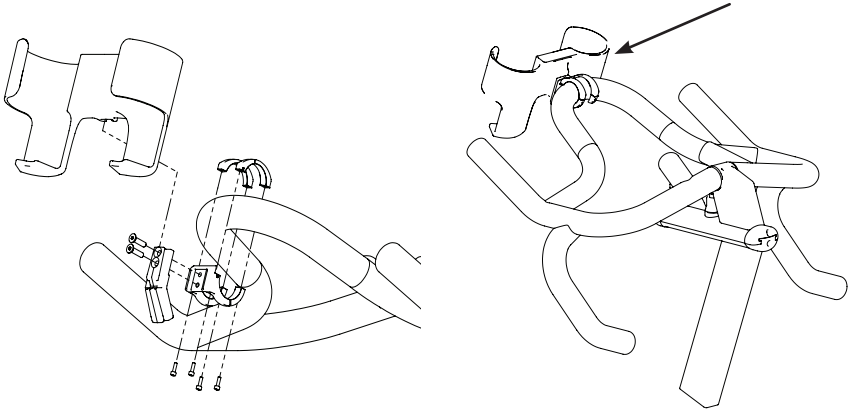


Manillar





02 99 02 10 HB

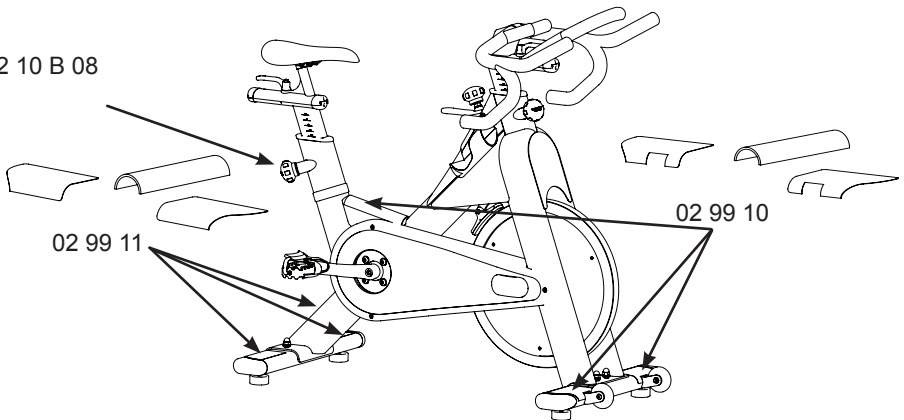


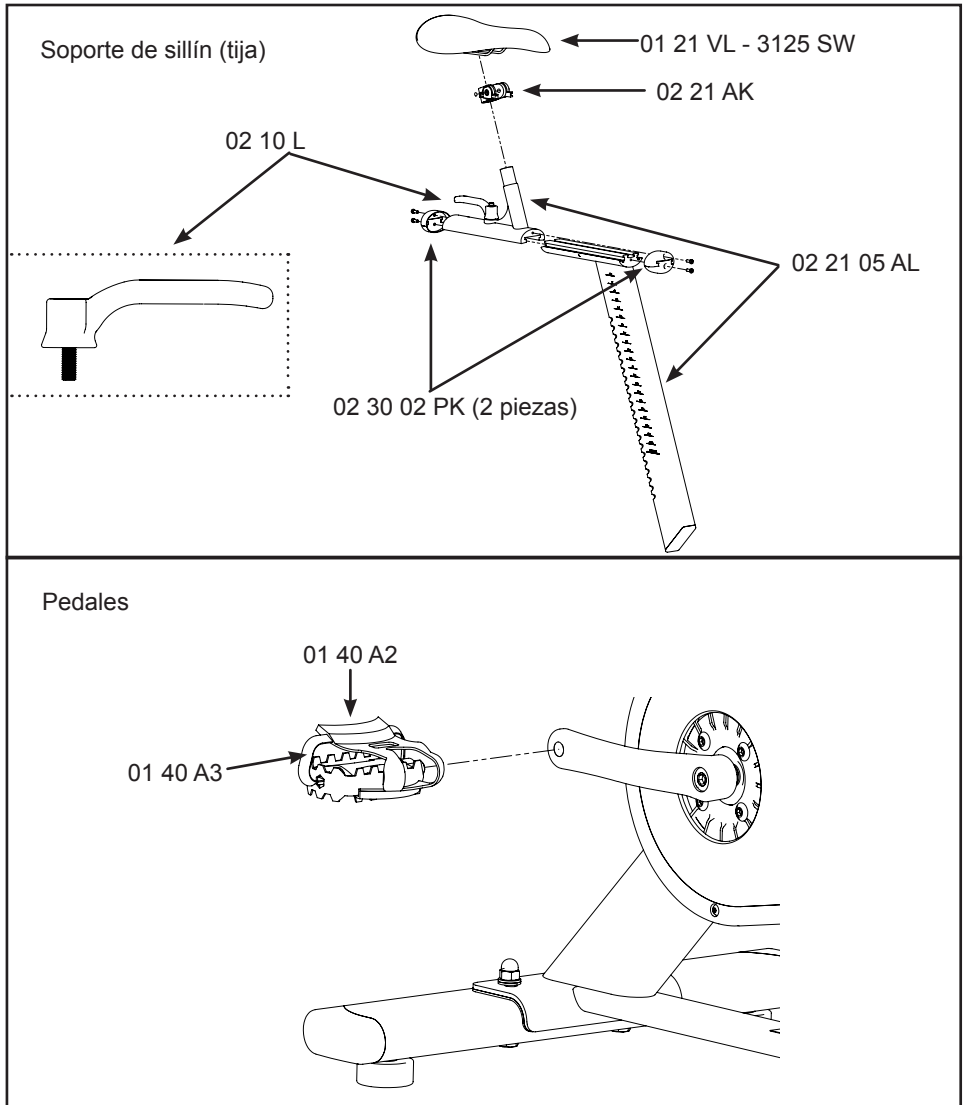
Placas protectoras

02 10 B 08

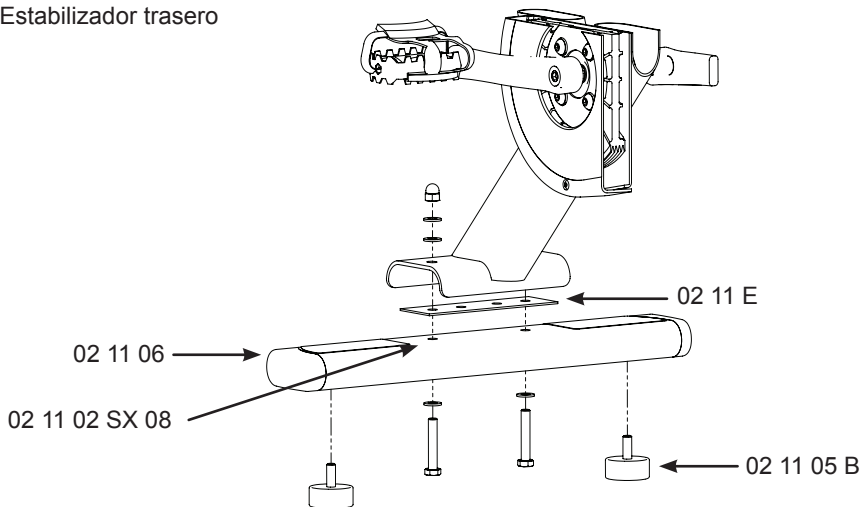
02 99 11

02 99 10

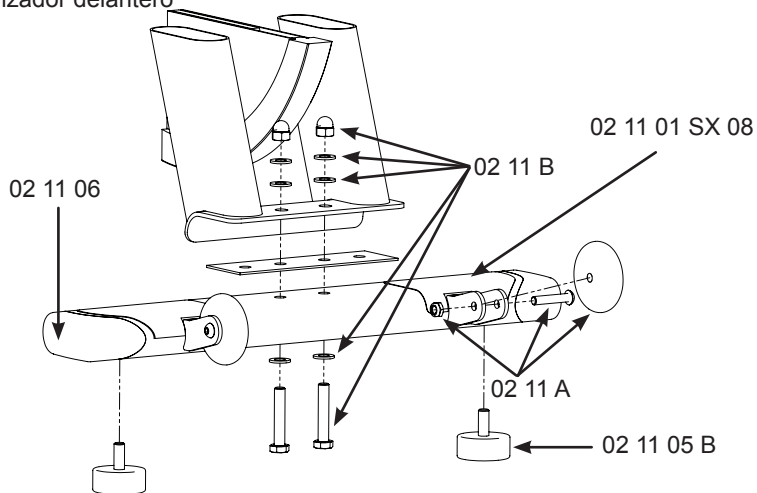




Estabilizador trasero



Estabilizador delantero



LISTA DE PIEZAS DE RECAMBIO

Sistema de accionamiento

02 40 BE	Correa
02 40 CrMo R SX 08	Biela derecha
02 40 CrMo L SX 08	Biela izquierda
02 40 C S 08	Llave Allen M8x20
02 40 C MD20 08	Ensamble cojinete bola MD20
02 40 C 2 RS	Cojinete de bolas SKF 6004Z

Protector de cadena

02 42 02 S 12	Protect. cad. ext.
02 42 04	Cubierta de plástico
02 42 01 E 08	Protector de cadena interior
02 99 03	Llave Allen M4x15

Sistema de freno

02 50 A SX	Botón de ajuste de freno
02 50 02	Bola de ajuste
02 50 01	Palanca de freno de emergencia
02 50 06 SX	Palanca acodada
02 50 04	Pastilla / forro de freno
02 50 03 S 10	Sistema de freno superior
02 50 05 SX	Sistema de freno inferior

Marco

2010 RA S	Marco S-Series (Plateado)
02 10 A	Manguito inserción vertical
02 20 04	Tope de goma d. tubo manil.
02 10 B 08	Botón ajuste Pop pin
02 99 02 10 FR	Portabotellas (prot.antisudor)
02 99 02 10 HB	Portabotellas (manillar)

Pedales

01 40 A 2	Pedales combi (par)
01 40 A 3	Correa (cincha) de pedal (par)

Rueda de inercia

02 40 H	Eje de rueda de inercia
02 40 02	Tensor de cadena
02 40 H L	Cojinete de bolas 6001Z

Soporte de sillín (tija)

01 21 VL-3125 SW	Sillín
02 21 AK	Abrazadera de montaje sillín
02 21 05 AL	Soporte de sillín horizontal y vertical
02 10 L	Palanca de bloqueo
02 10 B 08	Botón ajuste Pop pin

Estabilizador delantero

02 11 01 SX 08	Estabilizador delant.
02 11 B	Kit de montaje estabilizadores
02 99 10	Placas protec. delant. (3 pz.)
02 11 A	Rueda de transporte

Estabilizador trasero

02 11 E	Guarnición PVC
02 11 02 SX 08	Estabilizador trasero
02 11 06	Cubierta terminal de plástico
02 11 05 B	Pie de apoyo de goma
02 99 11	Placa protectora trasera (3 pz.)

Manillar

02 30 02 LX7	Manillar de carrera „LX7“
02 10 L	Palanca de bloqueo
02 10 B 08	Botón ajuste Pop pin

DISPOSICIONES DE GARANTÍA

Matrix Fitness System Corp. garantiza que todos los productos nuevos en el día de entrega al cliente no tienen defectos de fabricación y material. A continuación se especifican los diferentes plazos de garantía para los componentes y módulos montados en las bicicletas S-Serie. Para más informaciones detalladas relativas a nuestras Condiciones de Negocio y Garantía visite nuestra página en Internet: www.matrixfitness.com.

Defectos causados por uso o manejo inadecuado pueden causar la cancelación de la garantía

Matrix S-Series

- 10 años de garantía:** Rotura de la estructura del marco, errores de soldadura
- 3 años de garantía:** Manillar y ensamblaje del sillín, sistema de frenos (exceptuados los forros de freno), palancas, mangos, botones de ajuste y fijación, manivelas, sistema de accionamiento por correa, rueda de inercia y ensamblaje de nabos, recubrimiento de pintura en polvo del marco
- 2 años de garantía:** Manguito de inserción, abrazadera en el manillar y barra del sillín, pie de nivelación
- 1 año de garantía:** construcción del sillín

Las siguientes piezas sometidas a desgaste están excluidas de la Garantía:

Correas de pedal, forros de freno, calas del sistema SPD, jaulas de pedal, cubierta del sillín, portabotellas

