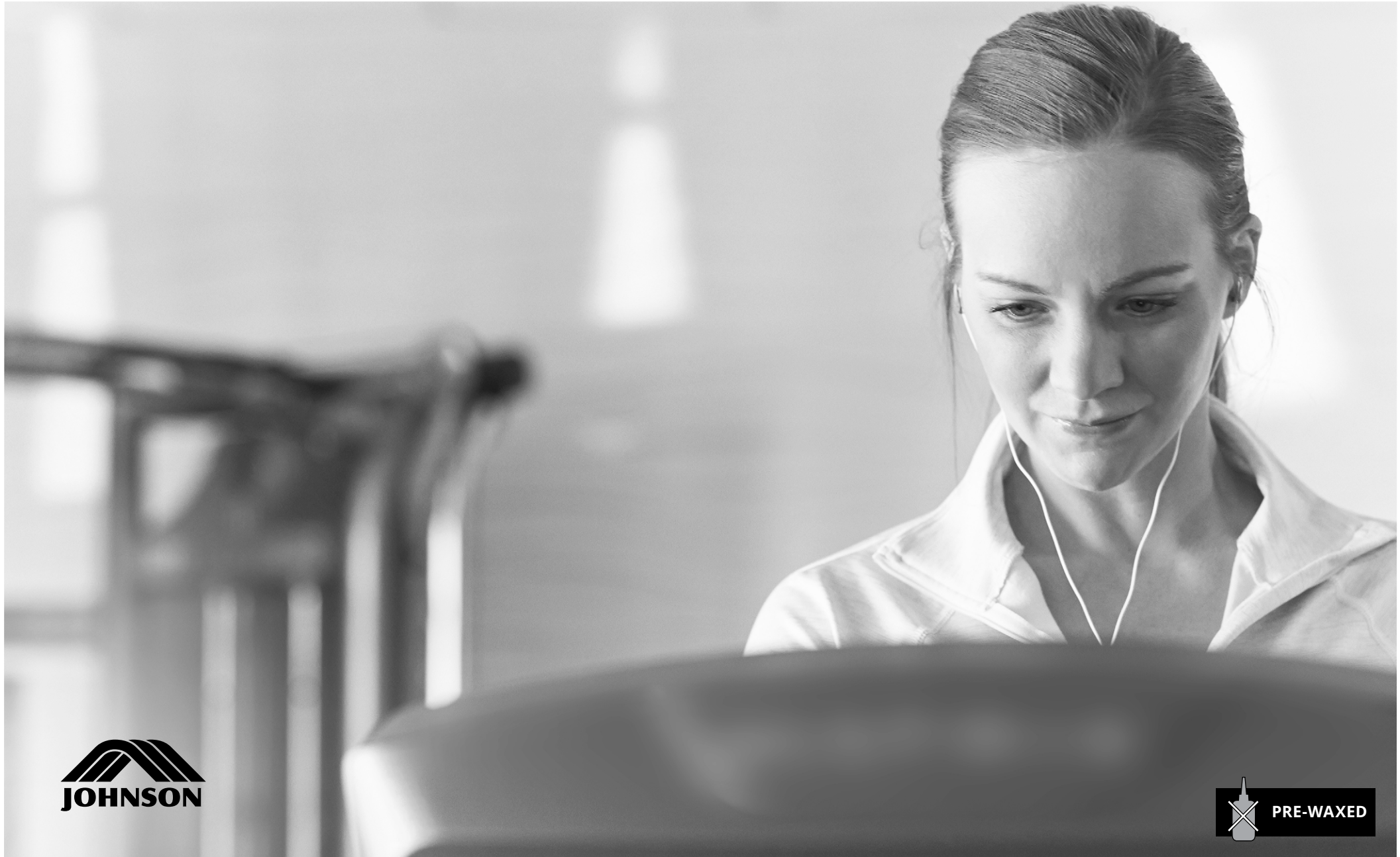


TREADMILL GUIDE

GUIDE DU TAPIS ROULANT

GUÍA DE LA CAMINADORA





3	ENGLISH
10	FRANÇAIS
17	ESPAÑOL



# BASIC OPERATION

## LOCATION OF THE TREADMILL

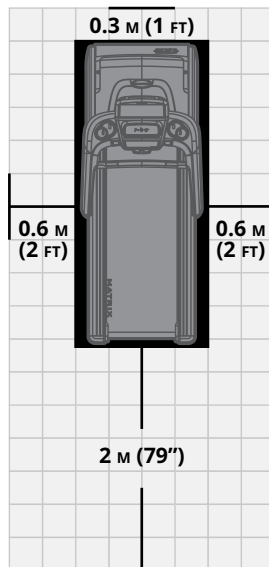
Place the treadmill on a level and stable surface. There should be one foot of clearance in front of the treadmill for the power cord. Please leave a clear zone behind the treadmill that is at least the width of the treadmill and at least 79" (2 meters) long. This zone must be clear of any obstruction and provide the user a clear exit path from the machine. In case of an emergency, place both hands on the side arm rests to hold yourself up and place your feet onto the side rails.

For ease of access, there should be an accessible space preferentially on both sides of the treadmill equal to 2 ft (0.6 meters) to allow a user access to the treadmill from either side.

Do not place the treadmill in any area that will block any vent or air openings. The treadmill should not be located in a garage, covered patio, near water or outdoors.

## WARNING!

Our treadmills are heavy; use care and additional help if necessary when moving. Do not attempt to move or transport treadmill unless it is in the upright, folded position with the lock latch secured. Failure to follow these instructions could result in injury.

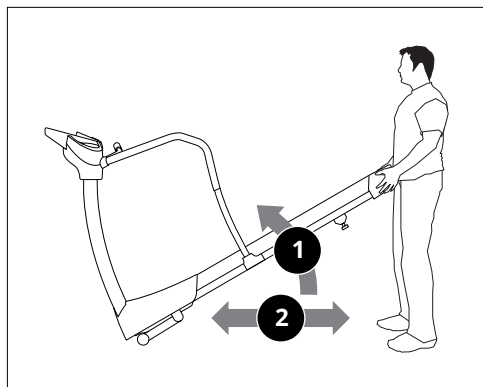
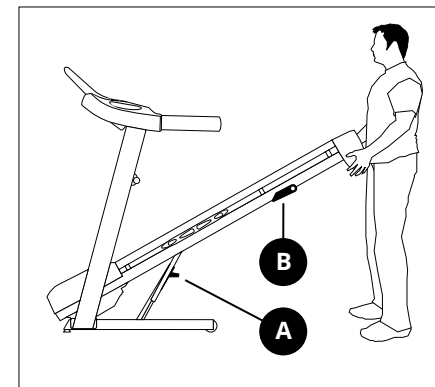


## FOLDING TREADMILLS

Some treadmills have a deck that can fold for storage and transport. To fold, firmly grasp the back end of the treadmill. Carefully lift the end of the treadmill deck into the upright position until the lock latch engages and securely locks the deck into position. Make sure the deck is securely latched before letting go.

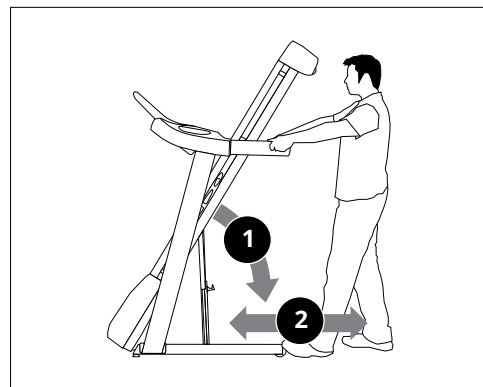
## UNFOLDING

Firmly grasp the back end of the treadmill. If your treadmill has a **FOOT LOCK LATCH (A)**, to unfold, gently press down on the foot lock latch with your foot until the lock latch disengages. If your treadmill has a **DECK LOCK LATCH (B)**, pull the deck lock latch to release the deck. Carefully lower the deck to the ground.



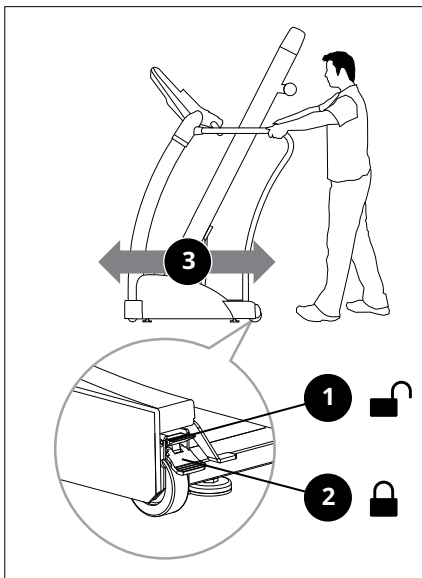
### MOVING: NON FOLDING

To move, firmly grasp rear frame and tilt the treadmill up (1) and roll (2).



### MOVING: FOLDING 2 WHEELS

To move, make sure the treadmill is folded and securely latched. Then firmly grasp the handlebars, tilt the treadmill back (1) and roll (2).



### MOVING: FOLDING 4 WHEELS

The 2 wheel locks must be released before moving. To unlock wheels, push down on the **TOP LEVER (1)** of the rear wheel locks located on the rear corners of the base frame. Then firmly grasp the handlebars, and slowly move the treadmill (3). After moving to the desired location, push down on the **BOTTOM LEVER (2)** of the rear wheel locks to lock the rear wheels.

NOTE: Both rear wheel locks must be locked before using the treadmill.



## PROPER USAGE

Your treadmill is capable of reaching high speeds. Always start off using a slower speed and adjust the speed in small increments to reach a higher speed level. Never leave the treadmill unattended while it is running. When not in use, remove the safety key, turn the on/off switch to off and unplug the power cord. Make sure to follow the MAINTENANCE schedule in this guide to maintain optimal performance and prevent premature electronic failure. Keep your body and head facing forward. Do not attempt to turn around or look backwards while the treadmill is running. Stop your workout immediately if you feel pain, faint, dizzy or are short of breath.

### CAUTION – RISK OF INJURY TO PERSONS

While you are preparing to use the treadmill, do not stand on the belt. Place your feet on the side rails before starting the treadmill. Start walking on the belt only after the belt has begun to move. Never start the treadmill at a fast running speed and attempt to jump on!

### USING THE SAFETY KEY

Your treadmill will not start unless the safety key is placed in position. Attach the clip end securely to your clothing. This safety key is designed to cut the power to the treadmill if you should fall. Check the operation of the safety key every 2 weeks.

### WARNING

Never use the treadmill without securing the safety key clip to your clothing. Pull on the safety key clip first to make sure it will not come off your clothing.

### POWER

Your treadmill is powered by a power supply. The power must be plugged into the power jack, which is located in the front of the machine near the stabilizer tube. Some treadmills have a power switch, located next to the power jack. Make sure it is in the on position. Unplug cord when not in use. NOTE: Some treadmills have an on/off switch located behind the console.

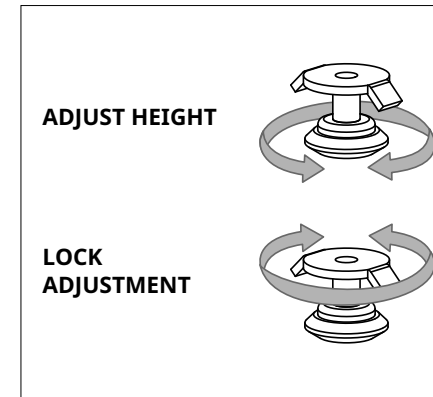
### WARNING!

Never operate product if it has a damaged cord or plug, if it is not working properly, if it has been damaged, or immersed in water. Please reference contact information on the back cover of the INFORMATION CARD for assistance.



### IMPORTANT

This treadmill has a pre-waxed belt and should never be lubricated or waxed. Lubricating or waxing the belt can cause damage that is not covered by the warranty.



### LEVELING THE TREADMILL

Your treadmill should be level for optimum use. Once you have placed your treadmill where you intend to use it, raise or lower one or both of the adjustable levelers located on the bottom of the treadmill frame. A carpenter's level is recommended. If your treadmill is not level, the running belt may not track properly. Once you have leveled your treadmill, lock the levelers in place by tightening the nuts against the frame.

# TROUBLESHOOTING

## COMMON PRODUCT QUESTIONS

### ARE THE SOUNDS MY TREADMILL MAKES NORMAL?

All treadmills make a certain type of thumping noise due to the belt riding over the rollers, especially new treadmills. This noise will diminish over time, although it may not totally go away. Over time, the belt will stretch, causing the belt to ride smoother over the rollers.

### WHY IS THE TREADMILL I PURCHASED LOUDER THAN THE ONE AT THE STORE?

All fitness products seem quieter in a large store showroom because there is generally more background noise than in your home. Also, there will be less reverberation on a carpeted concrete floor than on a wood overlay floor. Sometimes a heavy rubber mat will help reduce reverberation through the floor. If a fitness product is placed close to a wall, there will be more reflected noise.

### WHEN SHOULD I BE WORRIED ABOUT A NOISE?

As long as the sounds your treadmill makes are no louder than a normal conversational tone of voice, it is considered normal noise.

## BASIC TROUBLESHOOTING

**PROBLEM:** The console does not light up.

**SOLUTION:** Verify the following:

Does the red light on the ON/OFF switch light up?

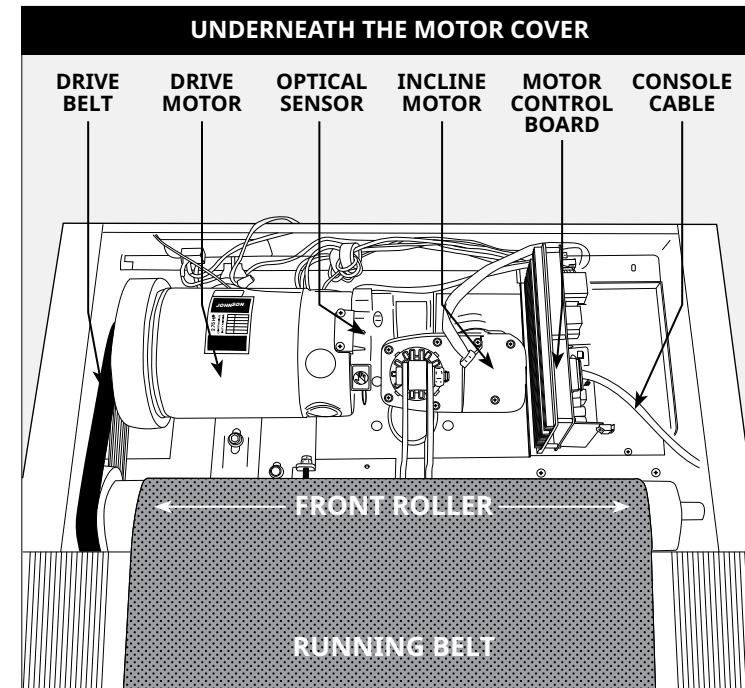
**NOTE:** Some treadmill models do not have a switch that lights up. If this is the case, please proceed with the yes and no solutions below.

If yes:

- Turn the power off, unplug the power cable and wait 60 seconds. Remove motor cover. Wait until all red LED lights have gone off on the motor control board before proceeding. Next verify that none of the wires connecting to the lower board are loose or disconnected.
- Double-check that all connections are secure, especially the console cable. Unplug and reconnect the console cable to verify.
- Make sure the console cable is not pinched or damaged in any way.
- Plug the treadmill in, turn the power switch on and look for any lit LEDs on the motor control board.

If no:

- Verify that the outlet the machine is plugged into is functional. Double-check that the breaker has not tripped, it is on a dedicated 20-amp circuit, it is not on a GFCI-equipped outlet, and it is not plugged into a power strip/surge protector or extension cord.



- Verify that the power cord is not pinched or damaged and is properly plugged into the outlet AND the machine.
- Verify that the power switch is turned to the ON position.

**PROBLEM:** The console reads SAFETY KEY OFF or only displays dashes.

**SOLUTION:** Verify the following:

- Verify the safety key is securely in place.
- If using a magnetic key, make sure the key is magnetized.

### FOR TREADMILLS WITH SPEAKERS:

**PROBLEM:** When MP3 player is connected there is no sound coming from the speakers or the speakers sound fuzzy.

**SOLUTION:** Make sure audio cable is plugged in securely to both the console and MP3 Player jacks.



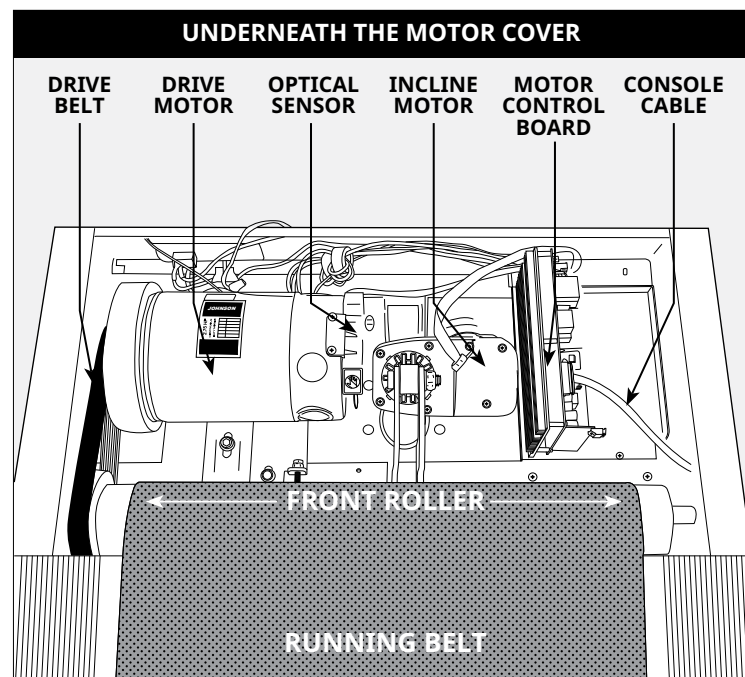


## BASIC TROUBLESHOOTING

**PROBLEM:** The belt does not move or moves briefly, but the console works.

**SOLUTION:** Verify the following:

- Make sure you are following the recommendations and power guidelines on pages 4 and 5 of this TREADMILL GUIDE. The unit should be on a dedicated 20-amp circuit and not on a GFCI-equipped outlet. Do not plug the machine into a power strip/surge protector or extension cord.
- Check for any belt movement. If so, make note of how far or how long it moves before stopping.
- Try to move the belt by hand. If not, the drive belt may have come off or the motor bearings may have seized.
- Turn the treadmill off and unplug it from the outlet. Remove the plastic motor cover located in front of the machine by taking out the Phillips screws. Check the drive belt for proper alignment.
- With the cover still off, check over the wire and cable connections, as they may have become loose or disconnected during shipping or assembly. Make sure connections are secure and no wires are crimped, damaged, disconnected or burnt.



**PROBLEM:** The incline does not move, won't go down or does not seem to be at the right level.

**SOLUTION:** Verify the following:

- Make sure you are following the recommendations and power guidelines on pages 4 and 5 of this TREADMILL GUIDE. The unit should be on a dedicated 20-amp circuit and not on a GFCI-equipped outlet. Do not plug the machine into a power strip/surge protector or extension cord.
- Make sure the console shows a change on the display when the elevation buttons are pressed.
- Turn the treadmill off and unplug it from the outlet. Verify the console cable connections at the top of the mast are connected securely. Make sure all of the multicolored wires are fully inserted into the cable harness.
- Remove the plastic motor cover located in front of the machine by taking out the Phillips screws. Check over the wire and cable connections, as they may have become loose or disconnected during shipping or assembly. Make sure connections are secure and no wires are crimped, damaged, disconnected or burnt.

**PROBLEM:** No audio comes out of the speakers, but the headphones work.

**SOLUTION:** Verify the following:

- Turn the treadmill off and unplug it from the outlet. Remove the plastic motor cover located in front of the machine by taking out the Phillips screws.
- Check the wire and cable connections to the speaker board, near the motor control board.

**PROBLEM:** The treadmill circuit breaker trips during a workout.

**SOLUTION:** Verify the following:

- Make sure the treadmill is plugged into a dedicated 20-amp circuit.
- Verify that you do not have the machine on an extension cord or surge protector.
- Confirm that the machine is not plugged into a GFCI-equipped outlet or on a circuit that has a GFCI-equipped outlet on it.

**PROBLEM:** The running belt does not stay centered during a workout.

**SOLUTION:** Verify the following:

- Make sure the treadmill is on a level surface.
- Verify that the belt is properly tightened and centered (Refer to the TENSIONING and CENTERING THE RUNNING BELT sections for detailed directions).

**PROBLEM:** Operating speed appears inaccurate.

**SOLUTION:**

- Turn the treadmill off and unplug it from the wall.
- Remove the screws from the motor cover screws using a Phillips screwdriver.
- Verify that the optical sensor is plugged into the motor control board.
- Inspect the speed sensor cable/connection for any visible damage.

## TROUBLESHOOTING HEART RATE (GRIP-PULSE ONLY)

Check your exercise environment for sources of interference such as fluorescent lights, computers, underground fencing, home security systems or appliances containing large motors. These items may cause erratic heart rate readouts.

You may experience an erratic readout under the following conditions:

- Gripping the heart rate handlebars too tight. Try to maintain moderate pressure while holding onto the heart rate handlebars.
- Constant movement and vibration due to constantly holding the heart rate handlebars while exercising. If you are receiving erratic heart rate readouts, try to only hold the grips long enough to monitor your heart rate.
- When you are breathing heavily during a workout.
- When your hands are constricted by wearing a ring.
- When your hands are dry or cold. Try to moisten your palms by rubbing them together to warm.
- Anyone with heavy arrhythmia.
- Anyone with arteriosclerosis or peripheral circulation disorder.
- Anyone whose skin on the measuring palm is especially thick.

## NEED ASSISTANCE?

If this troubleshooting section does not remedy the problem, discontinue use and turn the power off.



**Please reference contact information on the INFORMATION CARD for assistance.**

The following information may be asked of you when you call. Please have these items readily available:

- Model Name
- Serial Number
- Proof of Purchase

Some common troubleshooting questions that may be asked are:

- How long has this problem been occurring?
- Does this problem occur with every use? With every user?
- If you are hearing a noise, does it come from the front or the back? What kind of noise is it (thumping, grinding, squeaking, chirping etc.)?
- Has the machine been maintained per the MAINTENANCE schedule?

Answering these and other questions will give the technicians the ability to send proper replacement parts and the service necessary to get you and your treadmill running again!

You may find more troubleshooting suggestions on the customer support section of our website.





## MAINTENANCE

Preventative maintenance is the key to smooth operating equipment, as well as keeping the users' liability to a minimum. Equipment needs to be inspected at regular intervals. Defective components must be replaced immediately. Improperly working equipment must be kept out of use until it is repaired. Ensure that any person(s) making adjustments or performing maintenance or repair of any kind is qualified to do so.

## WARNING

To remove power from the treadmill, the power cord must be disconnected from the wall outlet.



### IMPORTANT

This treadmill has a pre-waxed belt and should never be lubricated or waxed. Lubricating or waxing the belt can cause damage that is not covered by the warranty.

## MAINTENANCE SCHEDULE

### ACTION

### FREQUENCY

Clean and inspect the treadmill:

- Turn off the treadmill with the ON/OFF switch, then unplug the power cord at the wall outlet.
- Wipe down the running belt, deck, motor cover and console casing with a damp cloth. Never use solvents, as they can cause damage to the treadmill.
- Inspect the power cord. If the power cord is damaged, please reference contact information on the back cover of the INFORMATION CARD for assistance.
- Make sure the power cord is not underneath the treadmill or in any other area where it can become pinched or cut during storage or use.
- Check the tension and alignment of the running belt. Make sure that the treadmill belt will not damage any other components on the treadmill by being misaligned.
- If any labels are damaged or illegible, please reference contact information on the back cover of the INFORMATION CARD for assistance.

DAILY

Clean underneath the treadmill:

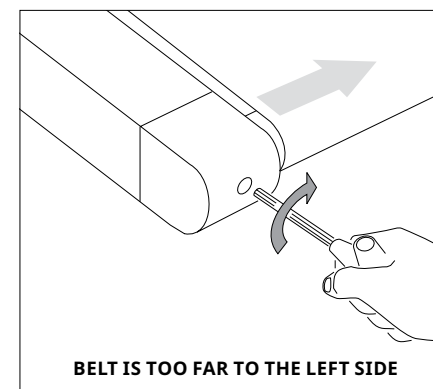
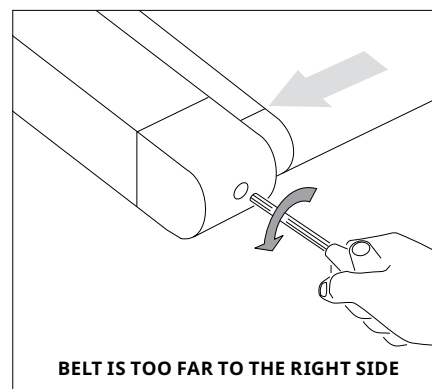
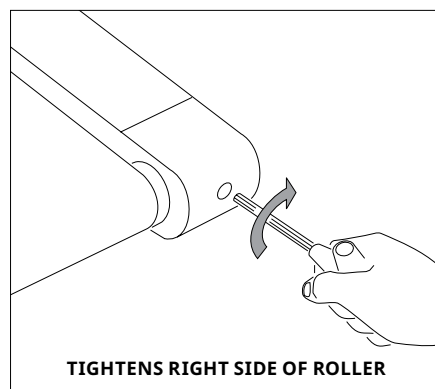
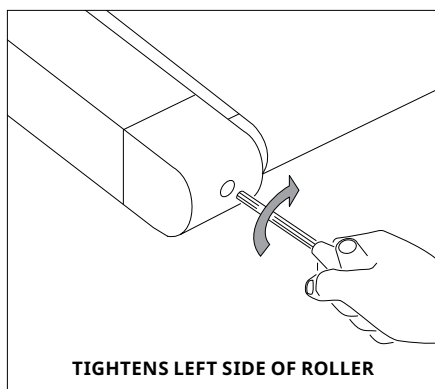
- Turn off the treadmill with the ON/OFF switch, then unplug the power cord at the wall outlet.
- Fold the treadmill into the upright position, making sure that the lock latch is secure.
- Move the treadmill.
- Wipe or vacuum any dust particles or other objects that may have accumulated underneath the treadmill.
- Return the treadmill to its previous position.

WEEKLY

IMPORTANT!

- Turn off the treadmill with the ON/OFF switch, then unplug the power cord at the wall outlet. Wait 60 seconds.
- Inspect all assembly bolts of the machine for proper tightness.
- Remove the motor cover. Wait until ALL display screens turn off.
- Clean the motor and lower board area to eliminate any lint or dust particles that may have accumulated. Failure to do so may result in premature failure of key electrical components.
- Wipe down the belt with a damp cloth. Vacuum any black/white particles that may accumulate around the unit. These particles may accumulate from normal treadmill use.
- If your treadmill has air shocks under the deck for lift assistance, lubricate the silver air shock tube with Teflon-based spray found at your local hardware or bike store.

MONTHLY



## TENSIONING THE RUNNING BELT

For more information and/or how-to videos, visit our Customer Support section on our website. Contact information is located on the back page of the INFORMATION CARD.

### WARNING

Running belt should NOT be moving during tensioning. Over-tightening the running belt can cause excessive wear on the treadmill as well as its components. Never over-tighten the belt.

If you can feel a slipping sensation when running on the treadmill, the running belt must be tightened. In most cases, the belt has stretched from use, causing the belt to slip. This is a normal and common adjustment. To eliminate this slipping, **turn the treadmill off** and tension **both the rear roller bolts** using the supplied Allen wrench, turning them  $\frac{1}{4}$  turn to the right (clockwise) as shown. Turn the treadmill on and check for slipping. Repeat if necessary, but **never turn** the roller bolts more than  $\frac{1}{4}$  turn at a time. Belt is properly tensioned when the slipping sensation is gone.

## CENTERING THE RUNNING BELT

For more information and/or how-to videos, visit our Customer Support section on our website. Contact information is located on the back page of the INFORMATION CARD.

### CAUTION

Do not run belt faster than 1 mph while centering. Keep fingers, hair and clothing away from belt at all times.

**If the running belt is too far to the right side:** Using the supplied Allen wrench and with the treadmill running at 1 mph turn the **LEFT** adjustment bolt counter-clockwise a  $\frac{1}{4}$  turn and wait for the belt to adjust itself. Use the motor cover marking or part line as a reference for alignment. Repeat if necessary, until the belt remains centered during use.

**If the running belt is too far to the left side:** Using the supplied Allen wrench and with the treadmill running at 1 mph turn the **LEFT** adjustment bolt clockwise a  $\frac{1}{4}$  turn and wait for the belt to adjust itself. Use the motor cover marking or part line as a reference for alignment. Repeat if necessary, until the belt remains centered during use.

- If you find the belt is slipping because it is too loose, center it then tension as needed.
- For easier adjustment bolt access, remove the end caps.





## FONCTIONNEMENT DE BASE

### EMPLACEMENT DU TAPIS DE COURSE

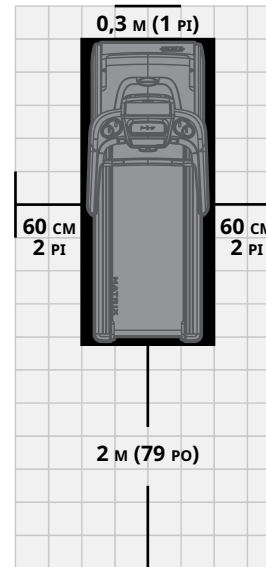
Installez votre tapis de course sur une surface plane et stable. Prévoyez un dégagement de 30 cm devant le tapis de course pour le câble d'alimentation. Veillez à laisser un espace libre d'au moins 2 m de long derrière le tapis de course, dont la largeur correspond au minimum à celle du tapis de course. Cet espace doit être exempt de tout obstacle et doit permettre à l'utilisateur de descendre de l'appareil sans encombre. En cas d'urgence, prenez appui en posant les mains de chaque côté des accoudoirs et placez vos pieds sur les rails latéraux.

Afin de faciliter l'accès à l'appareil, un espace libre large de 60 cm doit être prévu de préférence des deux côtés du tapis de course pour permettre à l'utilisateur d'accéder au tapis aussi bien d'un côté que de l'autre.

Ne placez pas le tapis de course de façon à bloquer la circulation d'air ou les grilles d'aération. Le tapis de course ne doit pas être placé dans un garage, une véranda, près d'une source d'eau ni à l'extérieur.

### AVERTISSEMENT !

Les tapis de course sont très lourds, soyez prudent et appelez quelqu'un pour vous aider à transporter votre appareil si nécessaire. Ne déplacez ou ne transportez pas le tapis de course si la plateforme n'est pas repliée en position verticale et que le loquet de verrouillage n'est pas enclenché. Le non-respect de ces instructions peut provoquer des blessures.

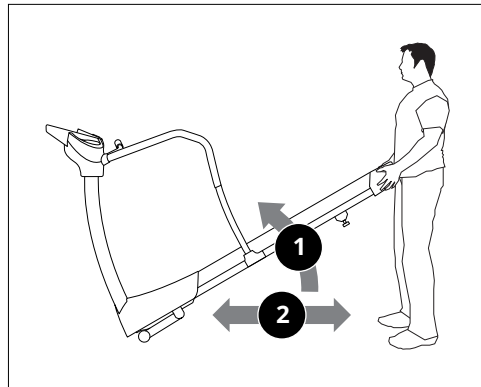
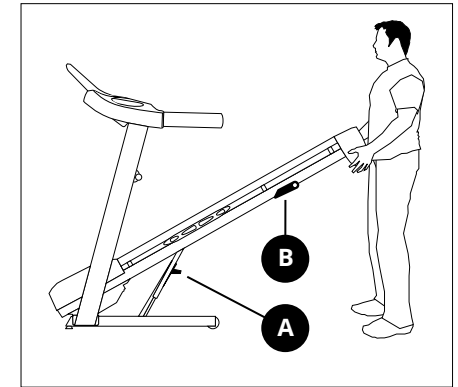


### REPLIER LES TAPIS DE COURSE

Certains tapis de course sont équipés d'une plateforme qui peut se replier pour le transport et le stockage. Pour replier l'appareil, saisissez fermement l'arrière du tapis de course. Soulevez l'extrémité de la plateforme du tapis de course avec précaution, positionnez la plateforme à la verticale, jusqu'à ce que le loquet de verrouillage s'enclenche et que la plateforme se bloque. Assurez-vous que la plateforme est bien verrouillée avant de la lâcher.

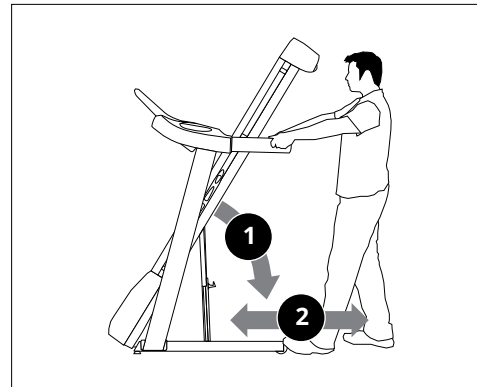
### DÉPLIER LES TAPIS DE COURSE

Saisissez fermement l'arrière du tapis de course. Si votre tapis de course est équipé d'une **PÉDALE DE VERROUILLAGE (A)**, appuyez doucement sur la pédale avec votre pied pour débloquer la plateforme et la déplier. Si votre tapis de course est équipé d'un **LOQUET DE VERROUILLAGE SUR LA PLATEFORME (B)**, tirez ce loquet pour débloquer la plateforme. Abaissez la plateforme avec précaution jusqu'au sol.



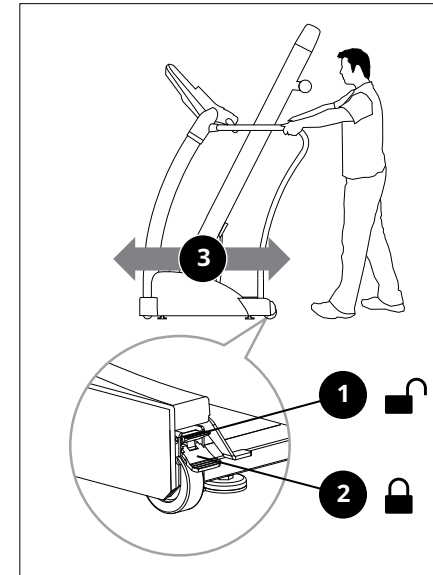
### DÉPLACEMENT : APPAREIL NON PLIABLE

Pour déplacer l'appareil, saisissez fermement l'arrière du châssis, inclinez le tapis de course vers l'arrière (1) et faites-le rouler (2).



### DÉPLACEMENT : APPAREIL PLIABLE À 2 ROULETTES

Avant de déplacer le tapis de course, assurez-vous qu'il est replié et verrouillé. Saisissez fermement les poignées, inclinez le tapis de course vers l'arrière (1) et faites-le rouler (2).



### DÉPLACEMENT : APPAREIL PLIABLE À 4 ROULETTES

Les 2 dispositifs de blocage des roulettes doivent être déverrouillés avant de déplacer l'appareil. Pour débloquer les roulettes, appuyez sur le **LEVIER SUPÉRIEUR (1)** des dispositifs de blocage de roulettes arrière, situés à chaque extrémité arrière du châssis. Saisissez ensuite fermement les poignées et faites doucement rouler le tapis de course (3). Après avoir positionné le tapis à l'emplacement voulu, appuyez sur le **LEVIER INFÉRIEUR (2)** des dispositifs de blocage des roulettes arrière afin de verrouiller les roulettes arrière.

REMARQUE : les deux dispositifs de blocage des roulettes arrière doivent être enclenchés avant d'utiliser le tapis de course.



## RÈGLES D'UTILISATION

Votre tapis de course peut atteindre des vitesses élevées. Commencez toujours par une vitesse faible puis réglez la vitesse par petits incréments pour atteindre un niveau de vitesse plus élevé. Ne laissez jamais l'appareil en marche sans surveillance lorsque vous ne l'utilisez pas. Lorsque le tapis de course n'est pas utilisé, retirez la clé de sécurité, mettez l'interrupteur sur arrêt puis débranchez le cordon d'alimentation. Veillez à respecter le programme d'ENTRETIEN présenté dans ce guide pour maintenir une performance optimale et éviter l'usure prématurée des composants électroniques. Maintenez votre corps et votre tête orientés vers l'avant. Ne vous tournez pas ou ne regardez pas vers l'arrière lorsque le tapis de course est en marche. Arrêtez les exercices immédiatement en cas de douleur, de faiblesse, de vertige ou d'essoufflement.

### ATTENTION – RISQUE DE BLESSURE

Ne mettez jamais en marche le tapis de course pendant que vous vous tenez debout sur la bande de course. Placez les pieds sur les rails latéraux avant de faire fonctionner le tapis de course. Montez sur le tapis uniquement lorsque la bande de course se met à défiler. Ne démarrez pas le tapis à une vitesse de course rapide en essayant de sauter dessus !

## UTILISATION DE LA CLÉ DE SÛRETÉ

Votre tapis de course ne démarrera pas si la clé de sécurité n'est pas insérée dans l'emplacement réservé à cet effet. Fixez solidement le clip de sécurité à l'un de vos vêtements. Cette clé de sécurité est conçue pour couper l'alimentation du tapis de course en cas de chute. Assurez-vous du bon fonctionnement de la clé de sécurité tous les quinze jours.

### AVERTISSEMENT

N'utilisez jamais le tapis de course sans avoir d'abord fixé le clip de sécurité à l'un de vos vêtements. Tirez sur le clip de sécurité pour vérifier qu'il est fixé solidement à vos vêtements.

## ALIMENTATION

Votre tapis de course fonctionne avec une alimentation électrique. Le câble d'alimentation doit être branché au connecteur d'alimentation situé à l'avant de l'appareil, près de la barre stabilisatrice. Certains tapis de course sont équipés d'un interrupteur marche/arrêt situé près du connecteur d'alimentation. Assurez-vous que celui-ci est en position « Marche ». Débranchez le câble lorsque l'appareil n'est pas utilisé. REMARQUE : certains tapis de course sont équipés d'un interrupteur marche/arrêt situé derrière la console.

### AVERTISSEMENT !

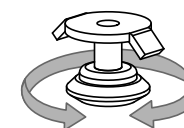
N'utilisez jamais l'appareil si le câble d'alimentation ou la prise est endommagé(e), s'il ne fonctionne pas correctement, s'il a été endommagé ou s'il a été immergé. En cas de besoin, les coordonnées de l'assistance technique se trouvent au dos de la CARTE D'INFORMATION.



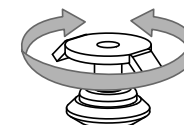
### IMPORTANT

La courroie du tapis de course est préalablement cirée ; elle ne doit jamais être lubrifiée ou cirée. Lubrifier ou cirer la courroie peut provoquer des dommages qui ne seront pas couverts par la garantie.

RÉGLAGE DE  
LA HAUTEUR



VERROUILLAGE  
DU DISPOSITIF



## MISE DE NIVEAU DU TAPIS DE COURSE

Pour une utilisation optimale, votre appareil doit être mis de niveau. Lorsque le tapis de course est installé à l'emplacement souhaité, remontez ou descendez l'un des pieds réglables, ou les deux, qui sont situés au bas du châssis du tapis de course. L'utilisation d'un niveau à bulle est recommandée. La bande de course ne fonctionnera pas correctement si le tapis de course n'est pas de niveau. Une fois votre tapis de course de niveau, verrouillez la position des pieds réglables en serrant les écrous contre le châssis.



# DÉPANNAGE

## QUESTIONS FRÉQUENTES RELATIVES AU PRODUIT

### LES SONS QU'ÉMET MON TAPIS DE COURSE SONT-ILS NORMAUX ?

Tous les tapis de course, surtout neufs, émettent un bruit sourd dû au passage de la bande sur les rouleaux. Ce bruit diminuera au fil du temps mais ne disparaîtra jamais complètement. La bande aura tendance à s'étirer avec le temps et glissera plus facilement sur les rouleaux.

### POURQUOI LE TAPIS DE COURSE QUE J'AI ACHETÉ EST-IL PLUS BRUYANT QUE CELUI PRÉSENTÉ EN MAGASIN ?

Tous les produits de remise en forme exposés dans un grand magasin semblent toujours être plus silencieux car le bruit de fond y est plus élevé que chez vous. La réverbération acoustique est également moindre sur un sol en béton recouvert de moquette que sur un parquet. L'installation d'un tapis épais en caoutchouc sous l'appareil peut aider à réduire la réverbération sur le sol. Si un appareil de remise en forme est placé près d'un mur, cela risque d'amplifier les bruits par un effet tambour.

### À QUEL MOMENT DOIS-JE M'INQUIÉTER DU BRUIT ?

Tant que le niveau sonore de votre tapis de course n'est pas plus élevé que celui d'une conversation normale, le bruit émis par l'appareil est considéré comme normal.

## PROCÉDURES DE DÉPANNAGE DE BASE

**PROBLÈME** : la console ne s'allume pas.

**SOLUTION** : effectuez les vérifications suivantes :

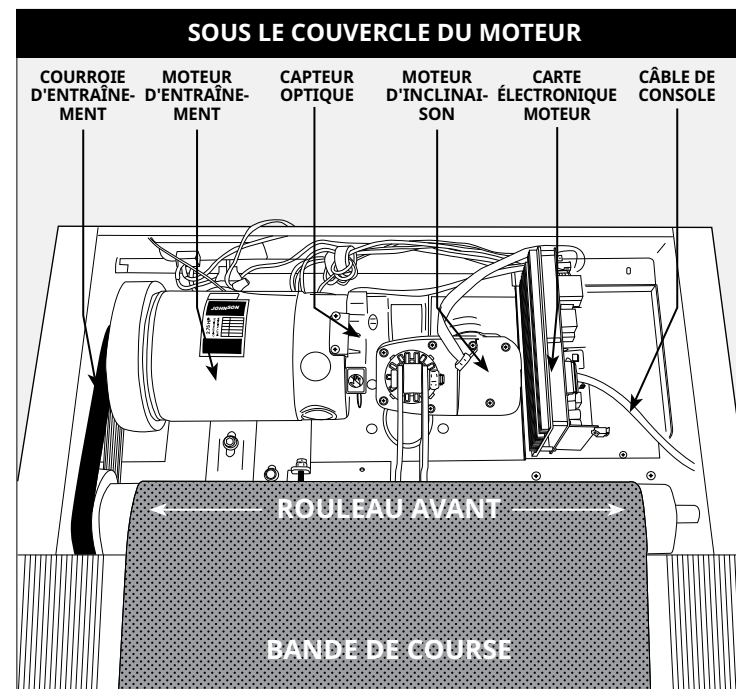
Le voyant rouge sur l'interrupteur MARCHE/ARRÊT est-il allumé ? **REMARQUE** : certains modèles de tapis de course ne possèdent pas d'interrupteur avec voyant lumineux. Si c'est le cas de votre modèle, veuillez suivre les étapes « oui » et « non » indiquées ci-après pour trouver des solutions à votre problème.

Si « oui » :

- Mettez l'appareil hors tension, débranchez la prise de courant et attendez 60 secondes. Ôtez le couvercle du moteur. Attendez que tous les voyants lumineux DEL rouges sur la carte électronique moteur soient éteints avant de procéder à l'étape suivante. Vérifiez ensuite qu'aucun fil connecté au panneau inférieur n'est mal raccordé ou débranché.
- Vérifiez toutes les connexions, en particulier le câble de la console. Pour ce faire, débranchez et rebranchez le câble de la console.
- Assurez-vous que le câble de la console n'est pas pincé ou endommagé.
- Branchez le tapis de course, mettez l'interrupteur en position MARCHE et observez si des voyants lumineux DEL s'allument sur la carte électronique moteur.

Si « non » :

- Vérifiez que la prise de courant sur laquelle est branché l'appareil fonctionne correctement. Assurez-vous que le disjoncteur ne s'est pas déclenché, que l'appareil est branché sur un circuit de 20 ampères distinct, qu'il n'est pas branché sur une prise équipée d'un disjoncteur différentiel de fuite à la terre et qu'il n'est pas branché sur une multiprise / un parasurtenseur ou une rallonge électrique.



- Vérifiez que le câble d'alimentation n'est pas pincé ou endommagé et qu'il est correctement raccordé à la prise de courant ET à l'appareil.
- Vérifiez que l'interrupteur est en position MARCHE.

**PROBLÈME** : la console indique SAFETY KEY OFF (CLÉ DE SÉCURITÉ NON CONNECTÉE) ou n'affiche que des tirets.

**SOLUTION** : effectuez les vérifications suivantes :

- Vérifiez que la clé de sécurité est fermement en place.
- Si vous utilisez une clé magnétique, assurez-vous que la clé est magnétisée.

### POUR LES TAPIS DE COURSE ÉQUIPÉS DE HAUT-PARLEURS :

**PROBLÈME** : lorsque le lecteur MP3 est connecté, aucun son ne sort des haut-parleurs ou le son est très mauvais.

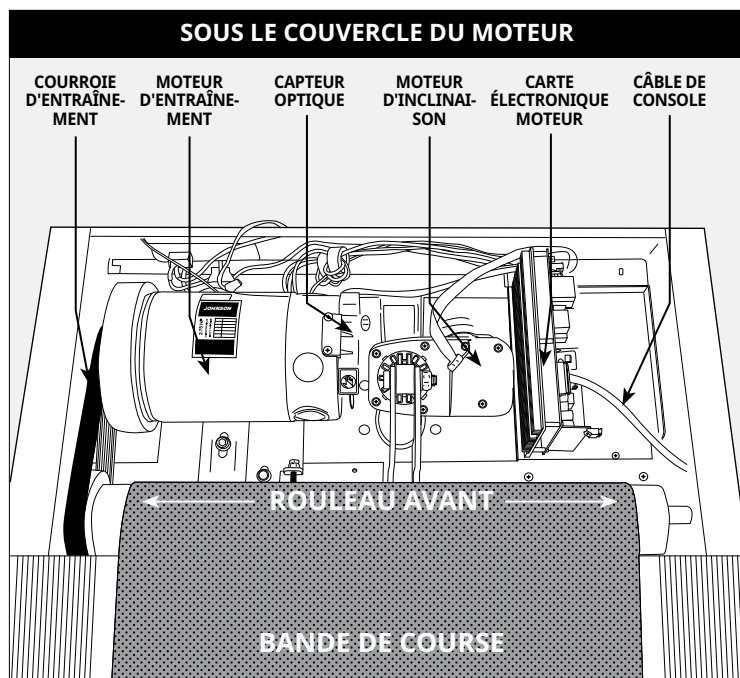
**SOLUTION** : assurez-vous que le câble audio est branché correctement à la fois sur le connecteur de la console et sur le connecteur du lecteur MP3.

## PROCÉDURES DE DÉPANNAGE DE BASE

**PROBLÈME :** la console fonctionne mais la bande de course reste immobile ou défile un bref instant.

**SOLUTION :** effectuez les vérifications suivantes :

- Vérifiez que les recommandations et les directives relatives à l'alimentation, qui sont présentées en pages 4 et 5 du présent GUIDE D'UTILISATION DU TAPIS DE COURSE sont bien respectées. L'unité doit être branchée sur un circuit de 20 ampères distinct et ne pas être raccordée à une prise équipée d'un disjoncteur différentiel de fuite à la terre. Ne branchez pas l'appareil sur une multiprise / un parasurtenseur ou une rallonge électrique.
- Vérifiez si la bande de course défile. Si oui, notez la distance sur laquelle elle a défilé ou le temps pendant lequel elle a défilé avant de s'arrêter.
- Essayez de faire défiler la bande de course à la main. Si cela est impossible, la courroie d'entraînement peut être sortie de son logement ou les roulements du moteur peuvent être grippés.
- Mettez le tapis de course hors tension et débranchez la prise. Retirez le couvercle en plastique du moteur, situé à l'avant de l'appareil, en retirant les vis à l'aide d'un tournevis cruciforme. Vérifiez le bon alignement de la courroie d'entraînement.
- Avant de remettre le couvercle, vérifiez les connexions des fils et des câbles car ceux-ci pourraient être mal raccordés ou avoir été débranchés au cours du transport ou du montage. Assurez-vous que les fils et câbles sont connectés correctement et qu'aucun câble n'est enroulé, endommagé, déconnecté ou brûlé.



**PROBLÈME :** l'inclinaison ne fonctionne pas, ne descend pas ou ne semble pas être à la bonne hauteur.

**SOLUTION :** effectuez les vérifications suivantes :

- Vérifiez que les recommandations et les directives relatives à l'alimentation, qui sont présentées en pages 4 et 5 du présent GUIDE D'UTILISATION DU TAPIS DE COURSE sont bien respectées. L'unité doit être branchée sur un circuit de 20 ampères distinct et ne pas être raccordée à une prise équipée d'un disjoncteur différentiel de fuite à la terre. Ne branchez pas l'appareil sur une multiprise / un parasurtenseur ou une rallonge électrique.
- Assurez-vous que la console indique un changement sur l'écran lorsque l'on appuie sur les boutons commandant l'élévation.
- Mettez le tapis de course hors tension et débranchez la prise. Vérifiez que les câbles de la console sont connectés correctement sur le dessus du montant. Assurez-vous que tous les fils multicolores sont entièrement insérés dans le faisceau de câblage.
- Retirez le couvercle en plastique du moteur, situé à l'avant de l'appareil, en retirant les vis à l'aide d'un tournevis cruciforme. Vérifiez les connexions des fils et des câbles car ceux-ci pourraient être mal enclenchés ou avoir été débranchés au cours du transport ou du montage. Assurez-vous que les fils et câbles sont connectés correctement et qu'aucun câble n'est enroulé, endommagé, déconnecté ou brûlé.

**PROBLÈME :** aucun son ne sort des haut-parleurs mais le casque fonctionne.

**SOLUTION :** effectuez les vérifications suivantes :

- Mettez le tapis de course hors tension et débranchez la prise. Retirez le couvercle en plastique du moteur, situé à l'avant de l'appareil, en retirant les vis à l'aide d'un tournevis cruciforme.
- Vérifiez que les fils et les câbles sont connectés correctement sur la carte des haut-parleurs située près de la carte électronique moteur.

**PROBLÈME :** le disjoncteur du tapis roulant se déclenche lors d'un exercice.

**SOLUTION :** effectuez les vérifications suivantes :

- Vérifiez que l'appareil est branché sur un circuit de 20 ampères distinct.
- Assurez-vous que l'appareil n'est pas branché sur une rallonge électrique ou un parasurtenseur.
- Assurez-vous que l'appareil n'est pas branché sur une prise équipée d'un disjoncteur différentiel de fuite à la terre ou sur un circuit qui intègre une prise équipée d'un disjoncteur différentiel de fuite à la terre.

**PROBLÈME :** la bande de course ne reste pas centrée durant un exercice.

**SOLUTION :** effectuez les vérifications suivantes :

- Assurez-vous que votre tapis de course est installé sur une surface plane.
- Vérifiez que la bande est correctement tendue et centrée (reportez-vous aux sections RÉGLAGE DE LA TENSION et CENTRAGE DE LA BANDE DE COURSE pour des indications plus détaillées).

**PROBLÈME :** la vitesse de fonctionnement semble incorrecte.

**SOLUTION :**

- Mettez le tapis de course hors tension et débranchez la fiche de la prise murale.
- Retirez les vis du couvercle du moteur à l'aide d'un tournevis cruciforme.
- Vérifiez que le capteur optique est raccordé à la carte électronique moteur.
- Vérifiez que le câble du capteur de vitesse est en bon état et qu'il est connecté correctement.





## DÉPANNAGE DU MONITEUR DE FRÉQUENCE CARDIAQUE (POIGNÉES À CAPTEURS TACTILES CARDIAQUES UNIQUEMENT)

Contrôlez l'endroit où vous vous entraînez et recherchez des sources possibles d'interférence, telles que des lumières fluorescentes, des ordinateurs, des clôtures électriques, des systèmes d'alarme ou des installations équipées de gros moteurs. Ces appareils peuvent causer des lectures erronées de la fréquence cardiaque.

Des mesures incohérentes de la fréquence cardiaque peuvent également se produire dans les cas suivants :

- Une pression excessive sur les poignées équipées de capteurs tactiles. Essayez d'exercer une pression modérée sur ces poignées.
- Des vibrations et un mouvement constants lorsque vous tenez les poignées pendant les exercices. Si l'écran affiche des mesures incohérentes, saisissez les poignées le temps nécessaire afin que votre rythme cardiaque soit enregistré.
- Lorsque vous êtes essoufflé durant un entraînement.
- Lorsque vos doigts sont comprimés par des bagues.
- Lorsque vos mains sont sèches ou froides. Frottez-vous les mains afin de les hydrater et de les réchauffer.
- Lorsque vous souffrez d'arythmie grave.
- Lorsque vous êtes atteint d'artériosclérose ou de troubles de la circulation périphérique.
- Lorsque la peau des paumes de vos mains est particulièrement épaisse.

## BESOIN D'UNE ASSISTANCE TECHNIQUE ?

Si le problème subsiste, arrêtez d'utiliser le tapis et mettez-le hors tension.



**En cas de besoin, les coordonnées de l'assistance technique se trouvent sur la CARTE D'INFORMATION.**

Lors de votre appel, vous devrez probablement fournir les renseignements ci-après. Veuillez préparer les informations suivantes :

- Nom du modèle
- Numéro de série
- Preuve d'achat

Les questions fréquemment posées sont les suivantes :

- Depuis combien de temps rencontrez-vous ce problème ?
- Le problème se répète-t-il à chaque utilisation ? Avec tous les utilisateurs ?
- Si vous entendez un bruit gênant, provient-il de l'avant ou de l'arrière de l'appareil ? De quel type de bruit s'agit-il (bruit sourd, grincement, son aigu, sifflement, etc.) ?
- L'appareil a-t-il été entretenu conformément au programme D'ENTRETIEN ?

Les réponses à ces questions et à d'autres questions permettront aux techniciens d'envoyer les pièces de rechange adéquates et d'effectuer la révision nécessaire au bon fonctionnement de votre tapis de course et vous faire reprendre votre entraînement !

Pour davantage de conseils sur le dépannage, consultez la rubrique Assistance client de notre site Internet.

## ENTRETIEN

Réaliser un entretien préventif est essentiel au bon fonctionnement de l'appareil tout en limitant la responsabilité des utilisateurs en cas d'incident. L'appareil doit être vérifié régulièrement. Faites remplacer les pièces défectueuses immédiatement. Cessez d'utiliser l'appareil défectueux jusqu'à ce qu'il soit réparé. Assurez-vous que l'entretien, les réglages ou les réparations sont effectués par un personnel qualifié.

## AVERTISSEMENT

Pour que le tapis de course ne soit plus alimenté en électricité, le câble d'alimentation doit être débranché de la prise murale.

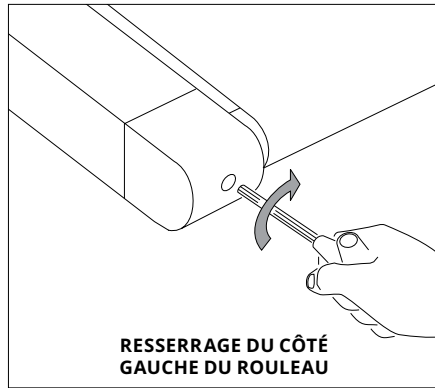
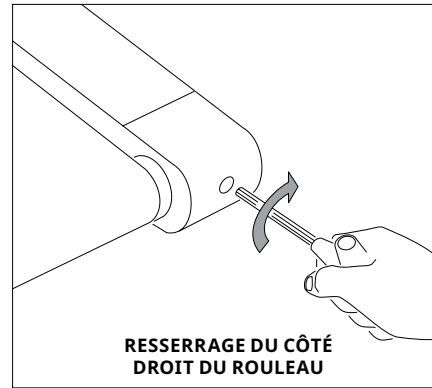


### IMPORTANT

La courroie du tapis de course est préalablement cirée ; elle ne doit jamais être lubrifiée ou cirée. Lubrifier ou cirer la courroie peut provoquer des dommages qui ne seront pas couverts par la garantie.

PROGRAMME D'ENTRETIEN	
ACTION	FRÉQUENCE
<p>Nettoyez et inspectez le tapis de course :</p> <ul style="list-style-type: none"> <li>• Mettez le tapis de course hors tension à l'aide de l'interrupteur MARCHE/ARRÊT puis débranchez le câble d'alimentation de la prise murale.</li> <li>• Nettoyez la bande de course, la plateforme, le couvercle du moteur et le boîtier de la console à l'aide d'un chiffon humide. N'utilisez jamais de solvants car ceux-ci pourraient détériorer le tapis de course.</li> <li>• Contrôlez le câble d'alimentation. Si le câble d'alimentation est endommagé, contactez l'assistance technique en vous référant aux coordonnées présentes au dos de la CARTE D'INFORMATION.</li> <li>• Assurez-vous que le câble d'alimentation ne se trouve pas sous le tapis de course ou à un endroit où il risquerait d'être pincé ou coupé au cours du stockage ou de l'utilisation.</li> <li>• Vérifiez que la bande de course est tendue et centrée correctement. Si la bande est décalée, elle risque d'endommager d'autres composants du tapis de course.</li> <li>• Si une étiquette est endommagée ou illisible, contactez l'assistance technique en vous référant aux coordonnées présentes au dos de la CARTE D'INFORMATION.</li> </ul>	QUOTIDIEN
<p>Nettoyez le dessous du tapis de course :</p> <ul style="list-style-type: none"> <li>• Mettez le tapis de course hors tension à l'aide de l'interrupteur MARCHE/ARRÊT puis débranchez le câble d'alimentation de la prise murale.</li> <li>• Repliez la plateforme en position verticale et assurez-vous que le loquet de verrouillage est enclenché.</li> <li>• Déplacez le tapis de course.</li> <li>• Nettoyez ou aspirez les particules de poussière et autres corps étrangers ayant pu s'accumuler sous le tapis de course.</li> <li>• Remplacez le tapis de course à son emplacement initial.</li> </ul>	HEBDOMADAIRE
<p><b>IMPORTANT !</b></p> <ul style="list-style-type: none"> <li>• Mettez le tapis de course hors tension à l'aide de l'interrupteur MARCHE/ARRÊT puis débranchez le câble d'alimentation de la prise murale. Attendez 60 secondes.</li> <li>• Contrôlez tous les boulons d'assemblage de l'appareil et vérifiez qu'ils sont bien serrés.</li> <li>• Ôtez le couvercle du moteur. Attendez l'extinction de TOUS les écrans d'affichage.</li> <li>• Nettoyez le moteur et le panneau inférieur pour enlever toutes les peluches ou les particules de poussière ayant pu s'accumuler. Le manquement à cette obligation peut entraîner une défaillance prématurée des composants électroniques essentiels.</li> <li>• Nettoyez la bande de course avec un chiffon humide. Aspirez toutes les particules blanches/noires ayant pu s'accumuler autour de l'appareil. Ces particules peuvent s'amasser suite à un usage normal du tapis de course.</li> <li>• Si votre tapis de course est équipé d'amortisseurs pneumatiques sous la plateforme pour faciliter le levage de celle-ci, lubrifiez le tube gris métallisé des amortisseurs à l'aide d'un lubrifiant en spray à base de Teflon que vous trouvez en quincaillerie ou dans un magasin de cycles.</li> </ul>	MENSUEL



RESSERRAGE DU CÔTÉ  
GAUCHE DU ROULEAURESSERRAGE DU CÔTÉ  
DROIT DU ROULEAU

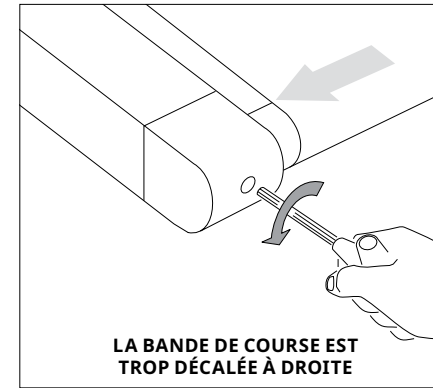
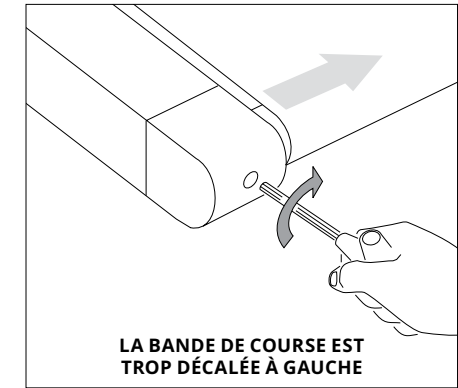
## RÉGLAGE DE LA TENSION DE LA BANDE DE COURSE

Pour plus d'information et/ou des tutoriels vidéo, consultez la rubrique Assistance client de notre site Internet. Les coordonnées de l'assistance technique se trouvent au dos de la CARTE D'INFORMATION.

### AVERTISSEMENT

Ne faites JAMAIS défiler la bande de course pendant le réglage de la tension. Une tension excessive de la bande de course peut entraîner une usure prématurée du tapis de course et de ses composants. Ne tendez pas excessivement la bande de course.

Si vous remarquez que la bande glisse lors d'un exercice sur le tapis, c'est le signe qu'elle doit être retendue. Avec l'usage, la bande de course s'est étirée en longueur et s'est relâchée. Il s'agit d'un réglage normal et courant. Pour éviter que la bande ne glisse, **mettez le tapis de course hors tension et** resserrez les **boulons du rouleau arrière** à l'aide de la clé Allen fournie, en tournant les vis de  $\frac{1}{4}$  de tour vers la droite (dans le sens des aiguilles d'une montre) comme illustré. Mettez l'appareil en marche afin de vérifier si la bande glisse de nouveau. Répétez l'opération si nécessaire mais **ne tournez jamais** les boulons du rouleau de plus de  $\frac{1}{4}$  de tour à la fois. La bande de course est correctement tendue lorsqu'elle ne glisse plus.

LA BANDE DE COURSE EST  
TROP DÉCALÉE À DROITELA BANDE DE COURSE EST  
TROP DÉCALÉE À GAUCHE

## CENTRAGE DE LA BANDE DE COURSE

Pour plus d'information et/ou des tutoriels vidéo, consultez la rubrique Assistance client de notre site Internet. Les coordonnées de l'assistance technique se trouvent au dos de la CARTE D'INFORMATION.

### ATTENTION

Ne faites pas tourner la bande à plus de 1,6 km/h lors du centrage. Tenez toujours les mains, les cheveux et les vêtements éloignés de la bande de course.

#### Lorsque la bande est trop décalée à droite, effectuez les réglages

**suivants** : faites fonctionner le tapis de course à 1,6 km/h et, à l'aide de la clé Allen fournie, tournez la vis de réglage de **GAUCHE** d' $\frac{1}{4}$  tour dans le sens inverse des aiguilles d'une montre et attendez que la bande se mette en place. Utilisez la ligne centrale ou le marquage du couvercle du moteur comme repère pour le centrage. Répétez l'opération si nécessaire, jusqu'à ce que la bande reste centrée correctement lors de l'utilisation du tapis de course.

#### Lorsque la bande est trop décalée à gauche, effectuez les réglages

**suivants** : faites fonctionner le tapis de course à 1,6 km/h et, à l'aide de la clé Allen fournie, tournez la vis de réglage de **GAUCHE** d' $\frac{1}{4}$  tour dans le sens des aiguilles d'une montre et attendez que la bande se mette en place. Utilisez la ligne centrale ou le marquage du couvercle du moteur comme repère pour le centrage. Répétez l'opération si nécessaire, jusqu'à ce que la bande reste centrée correctement lors de l'utilisation du tapis de course.

- Si vous trouvez que la bande de course glisse car elle est trop lâche, centrez-la puis réglez la tension correctement.
- Pour accéder plus facilement aux vis de réglage, retirez les embouts.



# FUNCIONAMIENTO BÁSICO

## UBICACIÓN DE LA CINTA

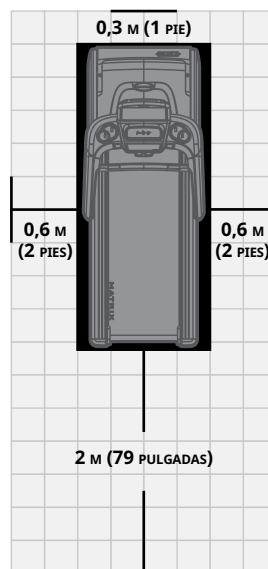
Coloque la cinta sobre una superficie llana y estable. Debe haber 0,3 m (un pie) de separación entre el enchufe para el cable de alimentación y la parte delantera de la cinta. Deje una zona libre detrás de la cinta cuya anchura sea como mínimo equivalente a la cinta y cuya longitud mínima sea de 2 m (79 pulgadas). Esta zona debe quedar libre de cualquier obstáculo y permitir al usuario bajarse de la máquina con comodidad. En caso de emergencia, coloque ambas manos en las asas laterales para elevarse y coloque los pies en los reposapiés laterales.

Para facilitar el acceso, debe garantizarse un espacio, preferentemente en ambas partes de la cinta, de 0,6 m (2 pies), de tal modo que el usuario pueda acceder a la cinta desde un lado u otro.

No coloque la cinta en un lugar donde bloquee una rejilla de ventilación o salida de aire. No se debe instalar la cinta en un garaje, en un patio cubierto, cerca del agua o al aire libre.

## ADVERTENCIA

Nuestras cintas son pesadas, desplácelas con cuidado y solicite ayuda si es necesario. No intente desplazar la cinta si no está en posición vertical, plegada y con el pestillo bloqueado. Si no sigue estas instrucciones pueden producirse lesiones.

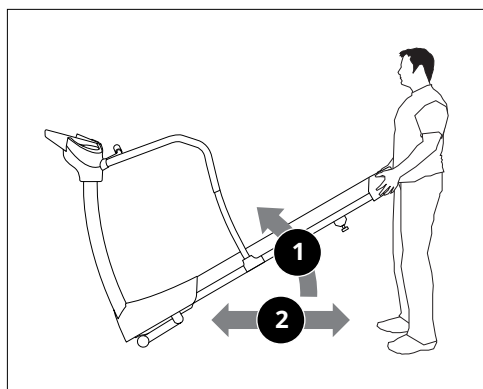
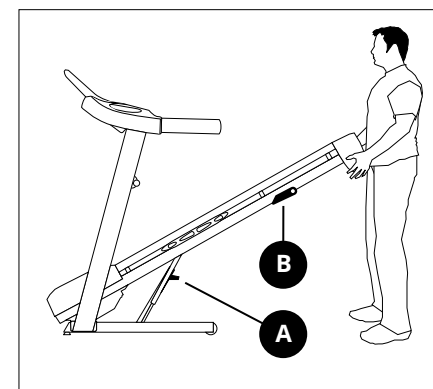


## PLEGADO DE LA CINTA

Algunas cintas disponen de una plataforma que se puede plegar para su almacenamiento o transporte. Para plegarla, sujete firmemente la parte trasera de la cinta. Levante con cuidado el extremo de la plataforma de la cinta en posición vertical hasta que el pestillo quede enganchado y bloquee la plataforma de forma segura. Asegúrese de que la plataforma está enganchada de forma segura antes de soltarla.

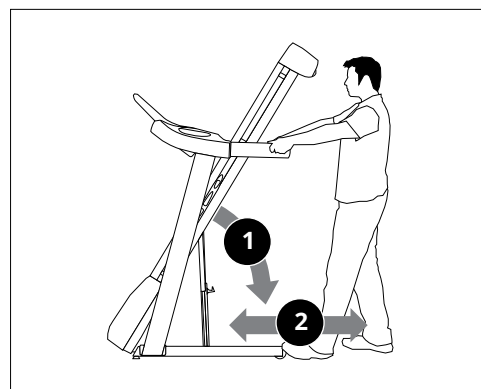
## DESPLIEGUE

Sujete firmemente la parte trasera de la cinta. Si la cinta tiene un **PESTILLO DE PIE (A)**, para desplegarla, presiónelo suavemente con el pie hasta que se suelte. Si la cinta tiene un **PESTILLO DE SEGURIDAD DE LA PLATAFORMA (B)**, tire de este para soltar la plataforma. Deje caer con cuidado la plataforma hasta el suelo.



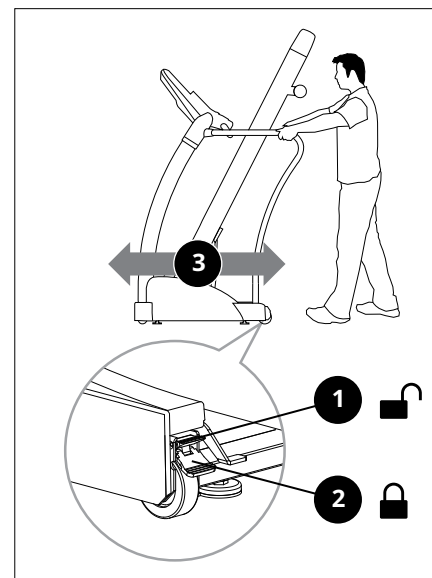
### DESPLAZAMIENTO: SIN PLIEGUE

Para desplazarla, sujete firmemente el bastidor trasero e incline la cinta hacia arriba (1) y hágala rodar (2).



### DESPLAZAMIENTO: PLIEGUE DE 2 RUEDAS

Para desplazarla, asegúrese de que la cinta está plegada y bloqueada de forma segura. Sujete firmemente los manillares, inclínela hacia atrás (1) y hágala rodar (2).



### DESPLAZAMIENTO: PLIEGUE DE 4 RUEDAS

Se deben desbloquear los dos frenos antes de desplazar la máquina. Para desbloquear las ruedas, empuje hacia abajo la **PALANCA SUPERIOR (1)** de los frenos de las ruedas traseras ubicados en las esquinas traseras de la estructura. A continuación, sujete firmemente los manillares y desplace la cinta lentamente (3). Una vez en la ubicación deseada, bloquee las ruedas traseras empujando hacia abajo la **PALANCA INFERIOR (2)** de los frenos.

NOTA: Antes de emplear la cinta debe bloquear ambos frenos.



## USO CORRECTO

La cinta puede alcanzar velocidades altas. Comience siempre a una velocidad más baja y ajústela en pequeños incrementos hasta alcanzar una velocidad más alta. Nunca deje la cinta sin supervisión cuando esté en funcionamiento. Cuando no la esté usando, quite la llave de seguridad, ponga el interruptor en posición de apagado y desconecte el cable de alimentación. Asegúrese de seguir el plan de MANTENIMIENTO de la guía para obtener un rendimiento óptimo continuo y evitar fallos prematuros del sistema electrónico. Mantenga siempre tanto su cuerpo como su cabeza mirando hacia adelante. No trate de darse la vuelta ni mirar hacia atrás mientras la cinta está en movimiento. Detenga inmediatamente su entrenamiento si siente dolor, sensación de desmayo, mareos o falta de aliento.

### PRECAUCIÓN: RIESGO DE LESIONES

No se coloque sobre la banda cuando se esté preparando para emplear la cinta. Coloque los pies sobre los reposapiés laterales antes de encender la cinta. Solo debe comenzar a caminar sobre la cinta cuando la banda haya comenzado a moverse. No encienda nunca la cinta a velocidad alta ni trate de saltar sobre ella.

## EMPLEO DE LA LLAVE DE SEGURIDAD

La cinta no se encenderá si la llave de seguridad no está colocada en su posición. Enganche la pinza de la cuerda de seguridad a su ropa. El diseño de esta llave de seguridad tiene como objetivo cortar la alimentación eléctrica de la cinta si sufre una caída. Compruebe cada dos semanas que la llave de seguridad funciona.

### ADVERTENCIA

No emplee nunca la cinta sin sujetar la pinza de la llave de seguridad a su ropa. Antes de comenzar, tire de la pinza de la llave de seguridad para asegurarse de que no se suelta de la ropa.

## ALIMENTACIÓN ELÉCTRICA

La cinta funciona con una fuente de alimentación. Esta tiene que enchufarse a la toma situada en la parte frontal de la máquina, al lado del estabilizador. Algunas elípticas tienen un interruptor al lado de la toma de corriente. Asegúrese de que está en la posición ON (encendido). Desenchufe el cable cuando no use la bicicleta. NOTA: Algunas cintas tienen un interruptor ON/OFF (encendido/apagado) detrás de la consola.

### ADVERTENCIA

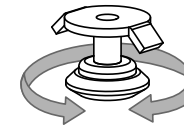
No utilice el producto si ha sufrido daños (tanto en la máquina como en el cable o el enchufe), si no funciona correctamente o si se ha sumergido en agua. Para solicitar ayuda, consulte la información de contacto en la cara posterior de la TARJETA DE INFORMACIÓN.



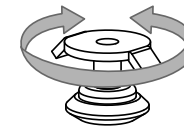
### IMPORTANTE

Se ha encendido previamente la banda de esta cinta por lo que nunca se debería lubricar o encerar. Lubricar o encerar la banda puede provocar daños que la garantía no cubre.

AJUSTAR ALTURA



BLOQUEAR MECANISMO DE AJUSTE



## NIVELACIÓN DE LA CINTA

La cinta debe estar nivelada para sacarle el máximo partido. Una vez que ha colocado la cinta donde desea utilizarla, levante o baje uno o ambos niveladores ajustables de la parte inferior de la estructura. Se recomienda emplear un nivel de carpintero. Si la máquina no está nivelada, es posible que la cinta no siga correctamente su trayectoria. Una vez que ha nivelado la cinta, bloquee los niveladores apretando las tuercas contra la estructura.

# SOLUCIÓN DE PROBLEMAS

## PREGUNTAS HABITUALES SOBRE EL PRODUCTO

### ¿SON NORMALES LOS RUIDOS DE MI CINTA?

Todas las cintas, especialmente las nuevas, emiten algún tipo de zumbido debido a que la banda pasa por encima de los rodillos. El ruido disminuirá con el paso del tiempo, aunque puede que no desaparezca totalmente. Con el paso del tiempo, la banda se ensanchará y rodará suavemente sobre los rodillos.

### ¿POR QUÉ LA CINTA QUE HE ADQUIRIDO HACE MÁS RUIDO QUE LA QUE HABÍA EN LA TIENDA?

Todos los equipos de deporte parecen más silenciosos en una sala de exposición de una tienda grande porque normalmente hay más ruido de fondo que en su casa. También habrá menos reverberación en un suelo de hormigón enmoquetado que en uno recubierto con paneles de madera. A veces, una esterilla pesada de goma contribuirá a reducir la reverberación por el suelo. Si un equipamiento deportivo se coloca cerca de una pared, habrá más ruido reflejado.

### ¿CUÁNDO DEBERÍA PREOCUPARME EL RUIDO?

Mientras los ruidos de su cinta no sean más altos que el tono de voz de una conversación habitual, puede considerarse que el ruido es normal.

## SOLUCIÓN DE PROBLEMAS BÁSICOS

**PROBLEMA:** La consola no se enciende.

**SOLUCIÓN:** Verifique lo siguiente:

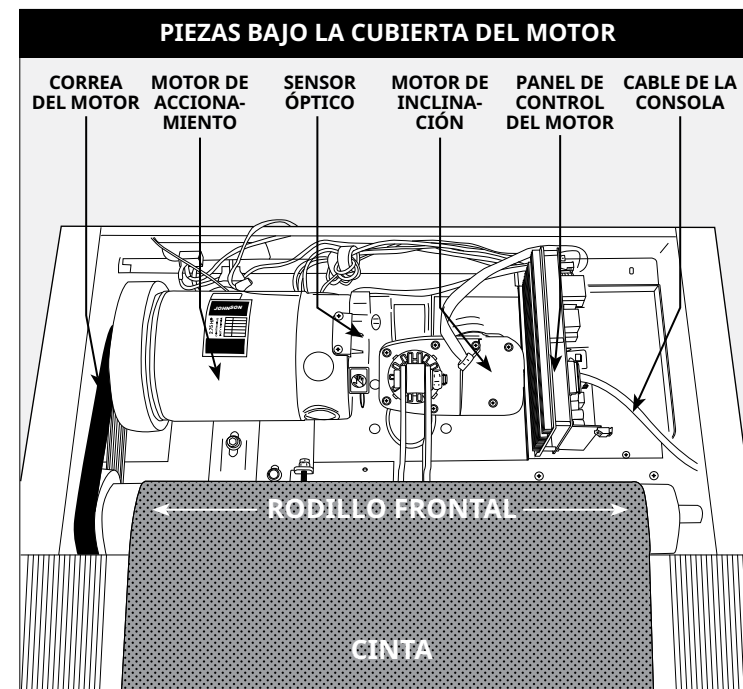
¿Se enciende la luz roja del interruptor ON/OFF (ENCENDIDO/APAGADO)? **NOTA:** Algunos modelos de cinta no tienen un interruptor que se encienda. Si este es el caso, por favor consulte las respuestas sí o no más abajo.

Sí:

- Apague el equipo, desconecte el cable de alimentación y espere 60 segundos. Retire la cubierta del motor. Espere a que se apaguen todas las luces LED rojas del cuadro de control del motor antes de proceder. A continuación, verifique que ninguno de los cables conectados al cuadro inferior está suelto o desconectado.
- Compruebe si todas las conexiones son correctas, especialmente el cable de la consola. Desconecte y vuelva a conectar el cable de la consola para verificarlo.
- Asegúrese de que el cable de la consola no está estrangulado ni dañado.
- Enchufe la cinta, accione el interruptor y observe si algún LED se ilumina en el panel de control del motor.

No:

- Verifique que la toma de corriente a la que la cinta está conectada funciona. Compruebe que el disyuntor del circuito no ha saltado, está conectado a un circuito específico de 20 amperios y no a una toma de corriente con GFCI, así como que no está enchufado a una regleta protección contra sobretensiones, ni a un alargador.



- Verifique que el cable de alimentación no está estrangulado ni dañado y está conectado adecuadamente a la toma de corriente Y a la máquina.
- Verifique que el interruptor está en posición de ON (ENCENDIDO).

**PROBLEMA:** En la consola se puede leer SAFETY KEY OFF (LLAVE DE SEGURIDAD DESACTIVADA) o solo muestra guiones.

**SOLUCIÓN:** Verifique lo siguiente:

- Verifique que la llave de seguridad está correctamente en su lugar.
- Si utiliza una llave magnética, asegúrese de que la llave está magnetizada.

### PARA CINTAS CON ALTAVOCES:

**PROBLEMA:** Cuando se conecta un reproductor de MP3, los altavoces no suenan o emiten un sonido distorsionado.

**SOLUCIÓN:** Asegúrese de que el cable de audio está bien enchufado tanto a la consola como a la toma del reproductor de MP3.



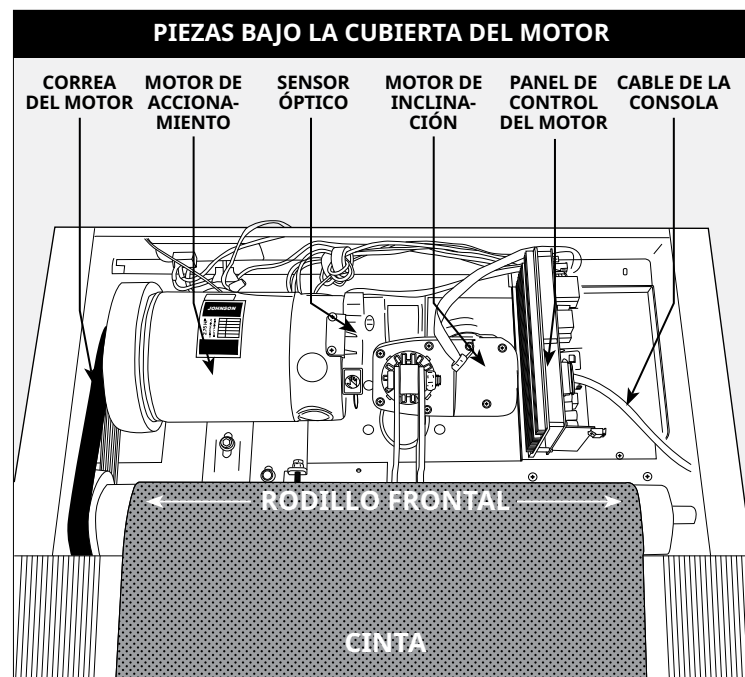


## SOLUCIÓN DE PROBLEMAS BÁSICOS

**PROBLEMA:** La banda se mueve muy poco o no se mueve, pero la consola funciona.

**SOLUCIÓN:** Verifique lo siguiente:

- Asegúrese de que sigue las recomendaciones y directrices de alimentación eléctrica de las páginas 4 y 5 de esta GUÍA DE LA CINTA. La unidad debe estar conectada a un circuito específico de 20 amperios y no a una toma de corriente con GFCI. No enchufe la máquina a una regleta o una protección contra sobretensiones, ni a un alargador.
- Compruebe si la banda se mueve. Si es así, anote la distancia o el tiempo que se mueve antes de detenerse.
- Intente mover la banda con la mano. Si no puede, es posible que la correa del motor se haya soltado o que los cojinetes del motor se hayan bloqueado.
- Apague la cinta y desconéctela de la toma de corriente. Quite los tornillos de estrella para retirar la cubierta de plástico del motor situada en la parte frontal de la máquina. Compruebe que la correa del motor esté alineada correctamente.
- Con la cubierta aún retirada, compruebe las conexiones de los cables, ya que se pueden haber aflojado o desconectado durante el envío o el montaje. Asegúrese de que las conexiones son correctas y que ningún cable esté engarzado, dañado, desconectado o quemado.



**PROBLEMA:** La inclinación no se mueve, no baja ni parece estar al nivel adecuado.

**SOLUCIÓN:** Verifique lo siguiente:

- Asegúrese de que sigue las recomendaciones y directrices de alimentación eléctrica de las páginas 4 y 5 de esta GUÍA DE LA CINTA. La unidad debe estar conectada a un circuito específico de 20 amperios y no a una toma de corriente con GFCI. No enchufe la máquina a una regleta o una protección contra sobretensiones, ni a un alargador.
- Asegúrese de que la consola muestra un cambio en la pantalla cuando presione los botones de elevación.
- Apague la cinta y desconéctela de la toma de corriente. Verifique que las conexiones de cable de la consola de la parte superior del mástil están conectadas correctamente. Asegúrese de que todos los cables multicolores están insertados en su totalidad en el arnés del cable.
- Quite los tornillos de estrella para retirar la cubierta de plástico del motor situada en la parte frontal de la máquina. Compruebe las conexiones de los cables, ya que se pueden haber aflojado o desconectado durante el envío o el montaje. Asegúrese de que las conexiones son correctas y que ningún cable esté engarzado, dañado, desconectado o quemado.

**PROBLEMA:** Los altavoces no emiten sonido, pero los cascos sí funcionan.

**SOLUCIÓN:** Verifique lo siguiente:

- Apague la cinta y desconéctela de la toma de corriente. Quite los tornillos de estrella para retirar la cubierta de plástico del motor situada en la parte frontal de la máquina.
- Compruebe las conexiones de los cables al panel del altavoz, situado al lado del panel de control del motor.

**PROBLEMA:** El disyuntor del circuito de la cinta se dispara durante un ejercicio.

**SOLUCIÓN:** Verifique lo siguiente:

- Asegúrese de que la cinta está conectada a un circuito específico de 20 amperios.
- Verifique que la cinta no está conectada a un alargador ni a una protección contra sobretensiones.
- Compruebe que la máquina no está conectada a una toma de corriente con GFCI ni a un circuito que tenga dicha salida.

**PROBLEMA:** La cinta no permanece centrada durante el entrenamiento.

**SOLUCIÓN:** Verifique lo siguiente:

- Asegúrese de que la cinta está colocada sobre una superficie llana.
- Verifique que la banda está tensada y centrada adecuadamente (consulte las secciones TENSADO y CENTRADO DE LA CINTA para ver instrucciones más detalladas).

**PROBLEMA:** La velocidad de funcionamiento no parece precisa.

**SOLUCIÓN:**

- Apague la cinta y desconéctela del enchufe.
- Quite los tornillos de la cubierta del motor con un destornillador de estrella.
- Verifique que el sensor óptico está conectado al panel de control del motor.
- Realice una inspección de la conexión y del cable del sensor de velocidad para detectar cualquier daño posible.

## SOLUCIÓN DE PROBLEMAS SOBRE MEDICIONES DEL RITMO CARDIACO (SOLO AGARRES DE MEDICIÓN)

Compruebe la zona donde se está entrenando para ver si hay fuentes de interferencia como tubos fluorescentes, ordenadores, vallado subterráneo, sistemas de seguridad del hogar o equipos eléctricos con motores de gran tamaño. Estos dispositivos pueden provocar lecturas irregulares de la frecuencia cardiaca.

Puede experimentar lecturas irregulares bajo las siguientes condiciones:

- Agarrar en exceso las asas de medición de la frecuencia cardiaca. Trate de mantener una presión moderada al sujetar las asas de medición de la frecuencia cardiaca.
- Movimiento y vibración constantes debido al agarre permanente de las asas de medición mientras se entrena. Si recibe lecturas irregulares de su frecuencia cardiaca, trate de agarrar las asas únicamente lo necesario para monitorizar su frecuencia cardíaca.
- Si respira fuertemente durante un entrenamiento.
- Si tiene las manos oprimidas por llevar un anillo.
- Si tiene las manos secas o frías. Trate de humedecer las palmas frotándolas para calentarlas.
- Cualquier persona con una arritmia severa.
- Cualquier persona con arteriosclerosis u otro problema de circulación sanguínea periférica.
- Cualquier persona con la piel especialmente gruesa en la palma donde se efectúa la medición.

### ¿NECESITA AYUDA?

Si esta sección no pone remedio al problema, deje de usar el equipo y apáguelo.



#### Para solicitar ayuda, consulte la información de contacto de la TARJETA DE INFORMACIÓN.

Puede que se le solicite la siguiente información cuando llame. Tenga esta información a su disposición:

- Nombre de modelo
- Número de serie
- Prueba de compra

Estas son algunas de las preguntas que suelen hacerse para la solución de problemas:

- ¿Cuánto tiempo lleva experimentado este problema?
- ¿Ocurre este problema siempre que la utiliza?  
¿Con cualquier usuario?
- Si escucha un ruido, ¿este viene de la parte delantera o trasera? ¿Qué tipo de ruido es (zumbido, chirrido, etc.)?
- ¿El mantenimiento de la máquina se ha realizado de acuerdo con el plan de MANTENIMIENTO?

La respuesta a estas y a otras preguntas permitirá a los técnicos enviar los recambios adecuados y prestar el servicio necesario para que la cinta vuelva a funcionar y pueda volver a hacer ejercicio.

Puede encontrar más sugerencias para solucionar problemas en la sección de atención al cliente de nuestro sitio web.





## MANTENIMIENTO

El mantenimiento preventivo es la clave para que un equipo funcione correctamente, así como para reducir al mínimo la responsabilidad del usuario. El equipo se debe someter a una inspección de forma periódica. Los componentes defectuosos deben sustituirse inmediatamente. Si un equipo no funciona correctamente, debe mantenerse fuera de servicio hasta que se repare. Asegúrese de que todas las personas que realizan ajustes o efectúan tareas de mantenimiento o reparación de cualquier tipo estén cualificadas para ello.

## ADVERTENCIA

Para retirar la fuente de alimentación de la cinta, el cable de alimentación debe estar desconectado de la toma de corriente.

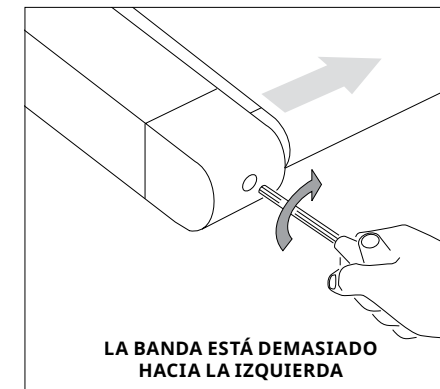
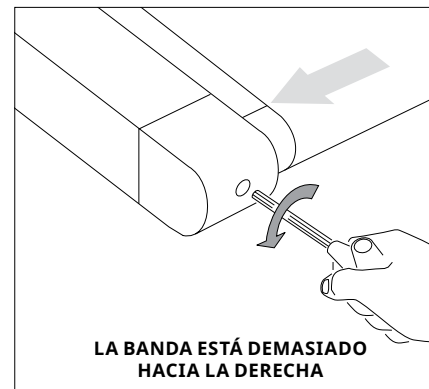
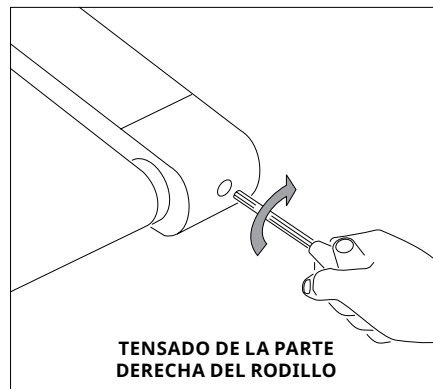
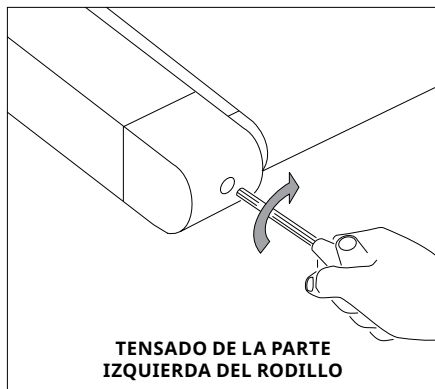


### IMPORTANTE

Se ha encerado previamente la banda de esta cinta por lo que nunca se debería lubricar o encerar. Lubricar o encerar la banda puede provocar daños que la garantía no cubre.

## PLAN DE MANTENIMIENTO

TAREA	FRECUENCIA
<p>Limpiar y comprobar la cinta:</p> <ul style="list-style-type: none"> <li>• Apague la cinta utilizando el interruptor ON/OFF (ENCENDIDO/APAGADO) y desconecte el cable de alimentación de la toma de corriente.</li> <li>• Limpie la cinta, la plataforma, la cubierta del motor y la carcasa de la consola con un trapo húmedo. No emplee nunca disolventes, puesto que podrían dañar la cinta.</li> <li>• Examine el cable de alimentación. Si el cable de alimentación está dañado, consulte la información de contacto en la cara posterior de la TARJETA DE INFORMACIÓN para obtener ayuda.</li> <li>• Asegúrese de que el cable de alimentación no ha quedado bajo la cinta o en ningún otro lugar en el que pueda estrangularse o seccionarse.</li> <li>• Compruebe la tensión y la alineación de la cinta. Asegúrese de que la banda de rodadura no dañará otros componentes de la cinta al estar desalineada.</li> <li>• Si cualquier etiqueta está dañada o no se puede leer, consulte la información de contacto en la cara posterior de la TARJETA DE INFORMACIÓN para obtener ayuda.</li> </ul>	DIARIA
<p>Limpiar la zona bajo la cinta:</p> <ul style="list-style-type: none"> <li>• Apague la cinta utilizando el interruptor ON/OFF (ENCENDIDO/APAGADO) y desconecte el cable de alimentación de la toma de corriente.</li> <li>• Coloque la cinta en posición vertical y asegúrese de que el pestillo está bloqueado.</li> <li>• Desplace la cinta.</li> <li>• Limpie o aspire las partículas de polvo u otros objetos que puedan haberse depositado bajo la cinta.</li> <li>• Vuelva a colocar la cinta en su ubicación previa.</li> </ul>	SEMANAL
<p><b>IMPORTANTE</b></p> <ul style="list-style-type: none"> <li>• Apague la cinta utilizando el interruptor ON/OFF (ENCENDIDO/APAGADO) y desconecte el cable de alimentación de la toma de corriente. Espere 60 segundos.</li> <li>• Examine si todos los pernos de montaje de la máquina están apretados adecuadamente.</li> <li>• Retire la cubierta del motor. Espere a que se apaguen TODAS las pantallas.</li> <li>• Limpie el motor y el área de la placa inferior para retirar cualquier partícula de polvo o fibras que se haya acumulado. Si no lleva a cabo esta acción, pueden aparecer fallos prematuros en componentes eléctricos importantes.</li> <li>• Limpie la banda con un trapo húmedo. Aspire cualquier partícula de color blanco o negro que pueda acumularse alrededor de la cinta. Estas partículas pueden acumularse por el uso normal de la cinta.</li> <li>• Si la cinta dispone de amortiguadores de aire debajo de la plataforma para ayudarle a levantarla, lubrique el tubo plateado del amortiguador con un spray de teflón (puede encontrarlo en una ferretería local o tienda de bicicletas).</li> </ul>	MENSUAL



## TENSADO DE LA CINTA

Para obtener más información o vídeos de instrucciones, visite la sección de atención al cliente de nuestra página web. Puede encontrar la información de contacto en la cara posterior de la TARJETA DE INFORMACIÓN.

## ADVERTENCIA

La cinta NO debe estar en funcionamiento al tensarla. Tensar en exceso la cinta puede provocar un desgaste excesivo de la máquina y de sus componentes. Nunca tense la banda en exceso.

Si siente que se desliza al correr, debe tensar la cinta. En la mayoría de los casos, la banda se ensancha por el uso, lo que provoca el deslizamiento. Este es un ajuste normal y corriente. Para eliminar el deslizamiento, **apague la cinta** y tense **los pernos de ambos rodillos traseros** empleando la llave Allen que se suministra y girándolos hacia la derecha (en el sentido de las agujas del reloj) un cuarto de vuelta tal y como se muestra en las ilustraciones. Encienda la cinta y compruebe que si experimenta una sensación de deslizamiento. Repita la operación si es necesario, pero no **gire nunca** los pernos de los rodillos más de un cuarto de vuelta cada vez. La banda tiene una tensión adecuada si no experimenta sensación de deslizamiento.

## CENTRADO DE LA CINTA

Para obtener más información o vídeos de instrucciones, visite la sección de atención al cliente de nuestra página web. Puede encontrar la información de contacto en la cara posterior de la TARJETA DE INFORMACIÓN.

## PRECAUCIÓN

No haga funcionar la banda a más de 1 mi/h mientras la centra. Mantenga los dedos, el pelo y la ropa siempre lejos de la banda.

**Si la cinta está demasiado hacia la derecha:** Con ayuda de la llave Allen suministrada y con la cinta funcionando a 1 mi/h, gire el perno de ajuste **IZQUIERDO** un cuarto en el sentido contrario al de las agujas del reloj y espere a que la cinta se ajuste sola. Utilice la marca o línea de la cubierta del motor como referencia para la alineación. Repita los pasos si es necesario hasta que la banda permanezca centrada durante su utilización.

**Si la cinta está demasiado hacia la izquierda:** Con ayuda de la llave Allen suministrada y con la cinta funcionando a 1 mi/h, gire el perno de ajuste **IZQUIERDO** un cuarto en el sentido de las agujas del reloj y espere a que la cinta se ajuste sola. Utilice la marca o línea de la cubierta del motor como referencia para la alineación. Repita los pasos si es necesario hasta que la banda permanezca centrada durante su utilización.

- Si la banda se desplaza porque está demasiado aflojada, céntrela y ténsela cuanto sea necesario.
- Para acceder con mayor facilidad al perno de ajuste, retire las tapas.





---

MATRIX



© 2016 Johnson Health Tech  
Rev 2.2 A ENG FRE SPE



PRE-WAXED