

# Eagle Leg Extension (Start Rld)Sbom V02

11051-02

## Parts Manual

1/5/2019 2:07:18 AM

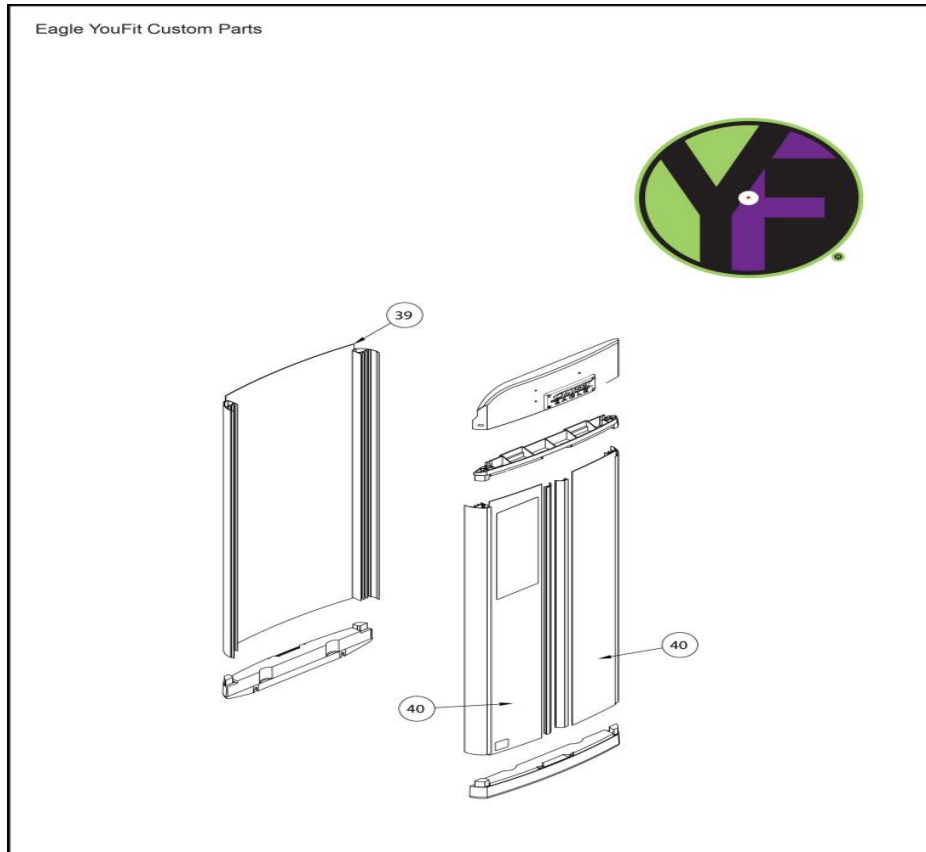


**Table of Contents**

---

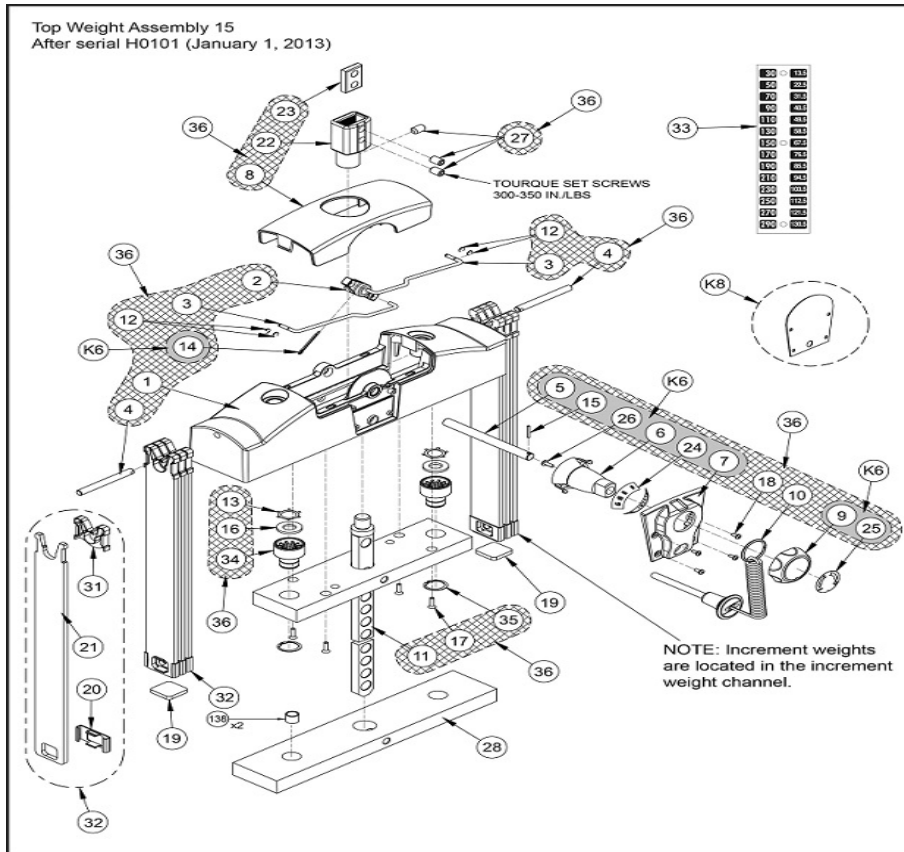
|  |                    |
|--|--------------------|
| <a href="#">Eagle YouFit Panel assembly.....</a>                   | <a href="#">3</a>  |
| <a href="#">VR3 - 15 Top Weight Assembly H0101 to Current.....</a> | <a href="#">4</a>  |
| <a href="#">11050 Belt Routing.....</a>                            | <a href="#">5</a>  |
| <a href="#">11050 Frame Assembly.....</a>                          | <a href="#">6</a>  |
| <a href="#">11050 Panel Assembly.....</a>                          | <a href="#">8</a>  |
| <a href="#">11050 Parts Not Shown.....</a>                         | <a href="#">10</a> |
| <a href="#">11050 Seat Frame Assembly.....</a>                     | <a href="#">11</a> |
| <a href="#">11051 Leg Pad Assembly.....</a>                        | <a href="#">13</a> |
| <a href="#">11051 Start RLD.....</a>                               | <a href="#">14</a> |
| <a href="#">15 Top Weight Assembly H0101 to Current.....</a>       | <a href="#">16</a> |

## Eagle YouFit Panel assembly



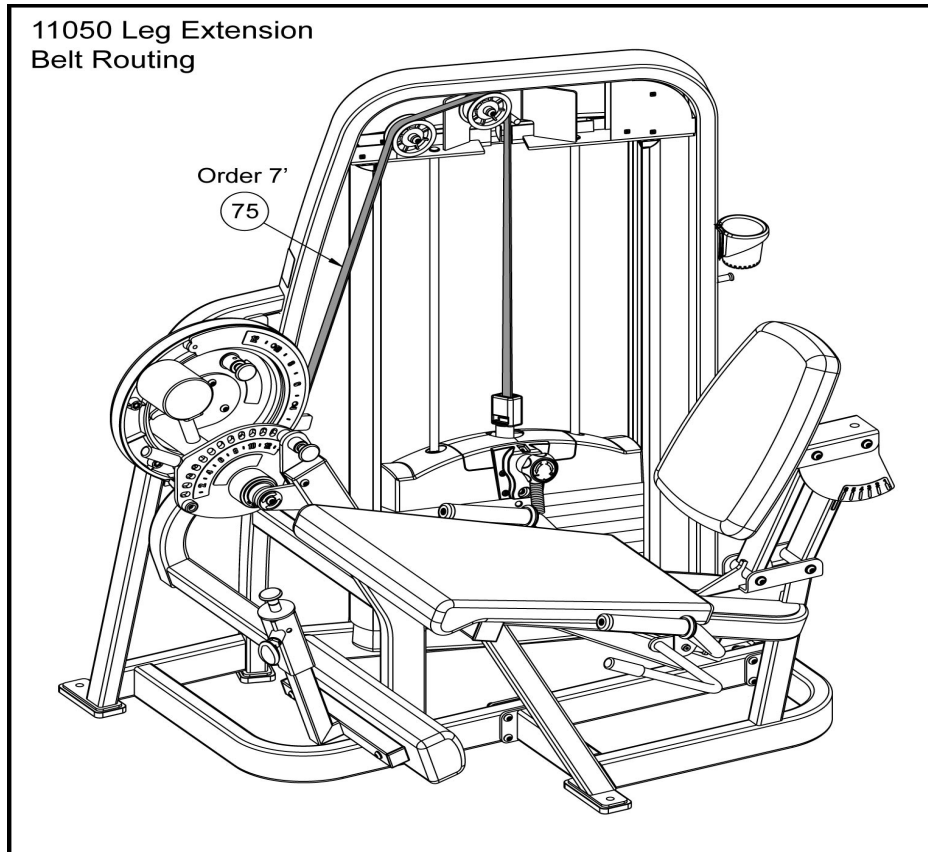
| Ref # | Part Number | Qty | Description         |
|-------|-------------|-----|---------------------|
| 39B   | 11040-760PY | 1   | PANEL, SHROUD BACK  |
| 39A   | 11040-760GY | 1   | PANEL, SHROUD BACK  |
| 40A   | 11040-762GY | 1   | PANEL, SHROUD FRONT |
| 40B   | 11040-762PY | 1   | PANEL, SHROUD FRONT |

**VR3 - 15 Top Weight Assembly H0101 to Current**



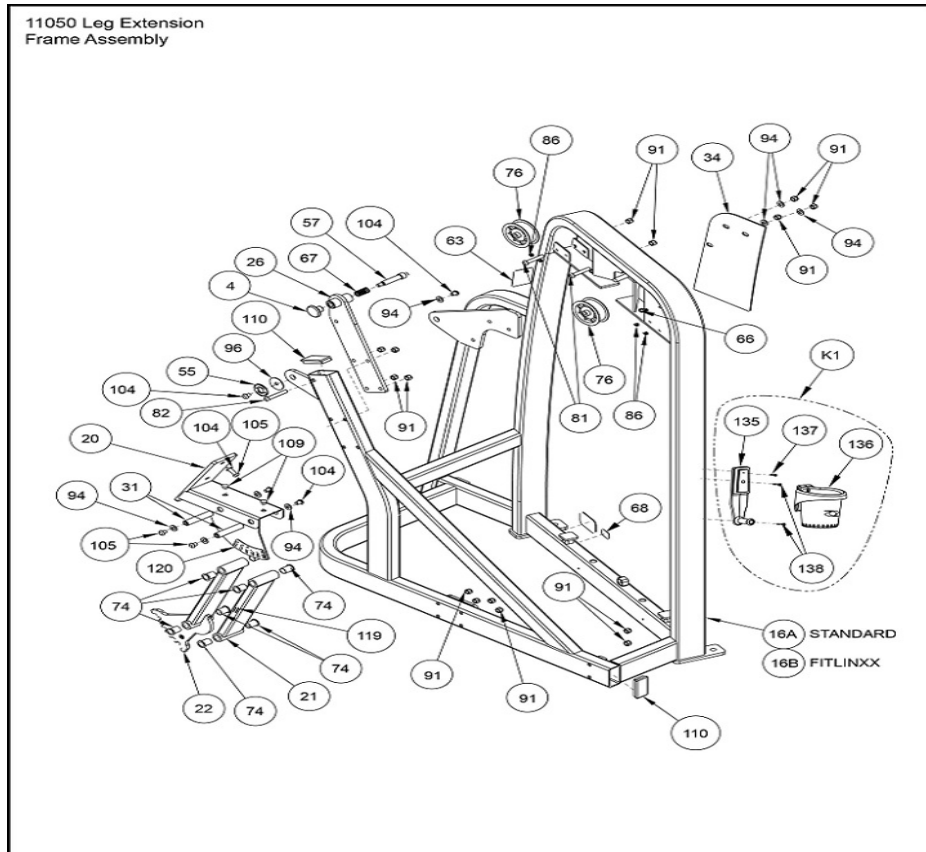
| Ref # | Part Number | Qty | Description         |
|-------|-------------|-----|---------------------|
| 1     | 11050-366   | 1   | TOP WT ASSY, MOLDED |

# 11050 Belt Routing



| Ref # | Part Number | Qty | Description   |
|-------|-------------|-----|---------------|
| 75    | GB000202    | 1   | BELT .95 WIDE |

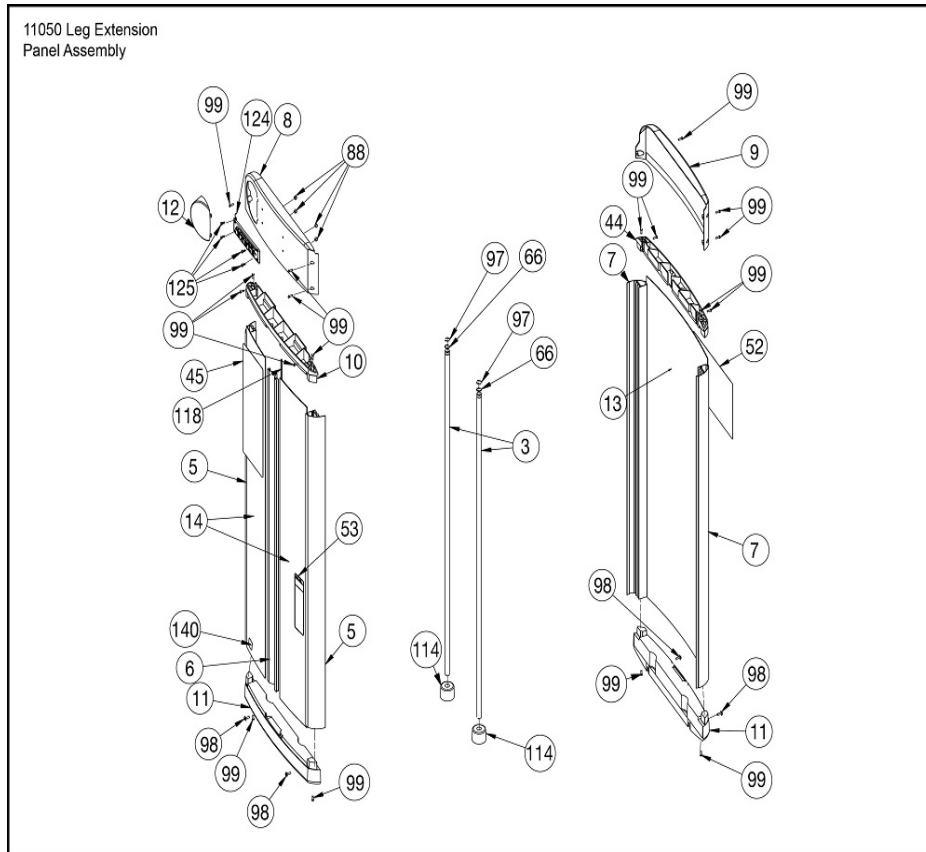
# 11050 Frame Assembly



| Ref # | Part Number | Qty | Description                          |
|-------|-------------|-----|--------------------------------------|
| K1    | 12000K017   | 1   | Kit Water Bottle Holder              |
| 4     | 11040-440   | 1   | KNOB                                 |
| 16A   | 11050-200   | 1   | W FRAME Custom                       |
| 16B   | 11058-200   | 1   | W WEIGHT FRAME Custom                |
| 20    | 11050-204   | 1   | W CUSHION PLATE Custom               |
| 21    | 11050-205   | 1   | W LINK Custom                        |
| 22    | 11050-206   | 1   | W DETENT LINK Custom                 |
| 26    | 11050-211   | 1   | W DETENT HOUSING Custom              |
| 31    | 11050-374   | 2   | PIN PIVOT                            |
| 34    | 11050-395   | 1   | GUARD Custom                         |
| 55    | 11100-400   | 1   | DECAL ROTATION                       |
| 57    | 4613-320    | 1   | PIN DETENT                           |
| 63    | 8500-026-4  | 1   | DECAL CAUTION ENGLISH                |
| 66    | BR030214    | 1   | RETAINING RING .625                  |
| 67    | BS070201    | 1   | COM SPRING .56 ID X .66 OD X 1.50 LG |
| 68    | CM000211    | 1   | DECAL PATENT                         |
| 74    | FB130207    | 8   | BRG FLG 17MM X 19MM X 25MM           |
| 76    | GP000209    | 3   | PULLEY ASSEMBLY-3.50                 |
| 81    | HC700428    | 2   | BHSCS .375-16 X 2.25                 |
| 82    | HC700430    | 1   | BHSCS .375-16 X 2.50                 |
| 86    | HF540200    | 4   | GROMMET NYLON                        |
| 91    | HN704901    | 11  | LOCKNUT .375-16 NYLON                |

| Ref # | Part Number | Qty | Description                                   |
|-------|-------------|-----|---|
| 94    | HS347600    | 6   | WASHER SAE .375                               |
| 96    | HS347702    | 1   | WASHER FLAT .387 ID X 1.753 OD X .06 T        |
| 104   | JC700412    | 4   | BHSCS .375-16 X .50                           |
| 105   | JC700420    | 3   | BHSCS .375-16 X 1.25                          |
| 109   | PP080207    | 2   | INSERT PLASTIC .437 DIA 11 GA                 |
| 110   | PP090202    | 2   | INSERT PLASTIC 1.5 X 3.0 11GA                 |
| 119   | 12070-394   | 1   | DECAL INDICATOR                               |
| 120   | 11050-423   | 1   | DECAL SEAT ADJUSTING                          |
| 135   | 13000-402   | 1   | Mount Water Bottle Holder                     |
| 136   | 13000-400   | 1   | Holder Water Bottle                           |
| 137   | HT552515    | 1   | TAP SC NO. 8-16 X .75 PLASTITE PN HD PHIL BLK |
| 138   | HT512517    | 2   | TAP SC 10-24 X 1.00 TYPE WB PN HD PHIL BLK    |

# 11050 Panel Assembly



| Ref # | Part Number      | Qty | Description                       |
|-------|------------------|-----|-----------------------------------|
| 3     | 11040-401        | 2   | WT ROD .625 DIA X 47.50           |
| 5     | 11040-750        | 2   | EXTRUDED INC WT CHANNEL           |
| 6     | 11040-754        | 1   | EXTRUDED GUARD                    |
| 7     | 11040-751        | 2   | EXTRUDED INC WT CHANNEL           |
| 8     | 11040-771        | 1   | COVER TOP                         |
| 9     | 11040-768        | 1   | COVER TOP                         |
| 10    | 11040-776        | 1   | CHASSIS                           |
| 11    | 11040-777        | 3   | TRAY BOTTOM                       |
| 12    | 11040-775        | 1   | COVER PULLEY                      |
| 13    | 11040-760        | 1   | PANEL SHROUD BACK                 |
| 14    | 11040-762        | 2   | PANEL SHROUD FRONT                |
| 44    | 11050-776        | 1   | CHASSIS                           |
| 45    | 11050-610        | 1   | Placard Eagle Leg Ext             |
| 52    | 3900-441         | 1   | DECAL CYBEX VER BLACK             |
| 53    | 4605-381         | 1   | DECAL WARNING                     |
| 66    | BR030214         | 2   | RETAINING RING .625               |
| 88    | HN575100         | 4   | LOCKNUT .190-NO 10-24             |
| 97    | HS407100         | 2   | WASH SPRG .650 .790 .062 T        |
| 98    | HT102214         | 4   | SCREW,10-24,HXHD WSHR PHIL,TYP 23 |
| 99    | HT542514         | 17  | TAP SC NO 8-32 X .625 A PHIL      |
| 114   | PR060005         | 2   | BUMPER WEIGHT                     |
| 118   | PR250203-NOT-USE | 1   | NLA: FOAM STRIP .12 X .25         |

| Ref # | Part Number | Qty | Description                         |
|-------|-------------|-----|-------------------------------------|
|       | D           |     |                                     |
| 124   | 11040-789   | 1   | EAGLE PLAQUE                        |
| 125   | HT572512    | 4   | TAP SC NO. 10 - 24 X .50 PN HD PHIL |
| 140   | 11040-790   | 1   | NLA: DECAL, MADE IN THE USA         |

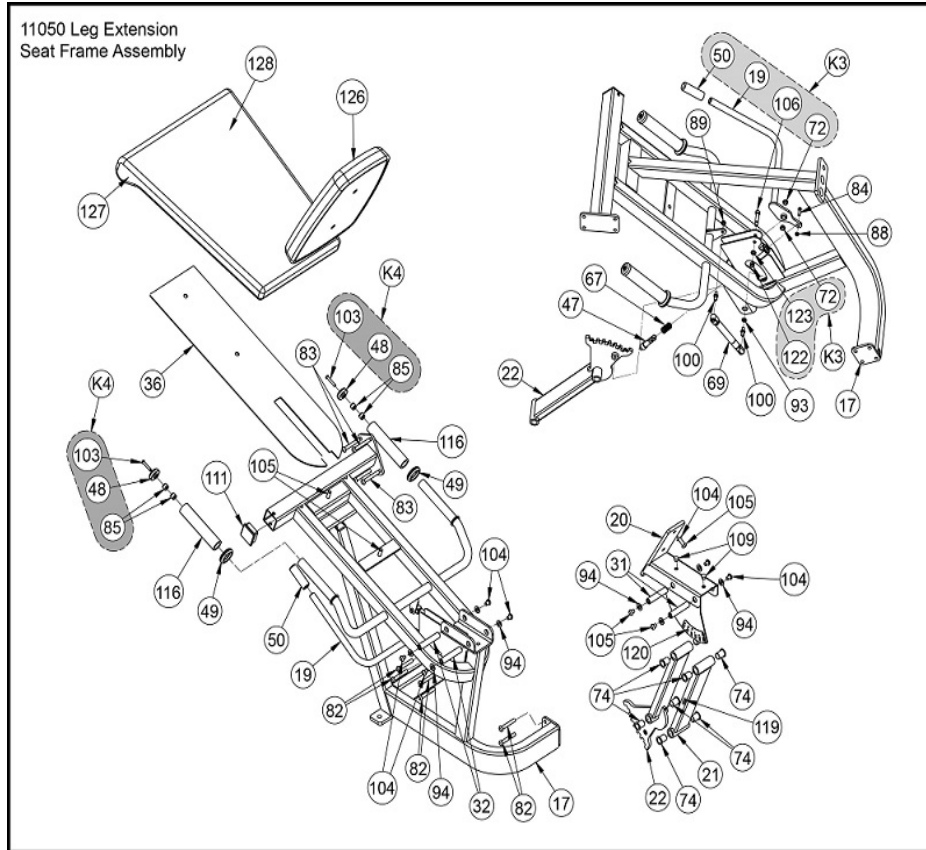
## 11050 Parts Not Shown

---



| Ref # | Part Number | Qty | Description        |
|-------|-------------|-----|--------------------|
| K10   | 11000K010   | 1   | Kit Hardware Eagle |

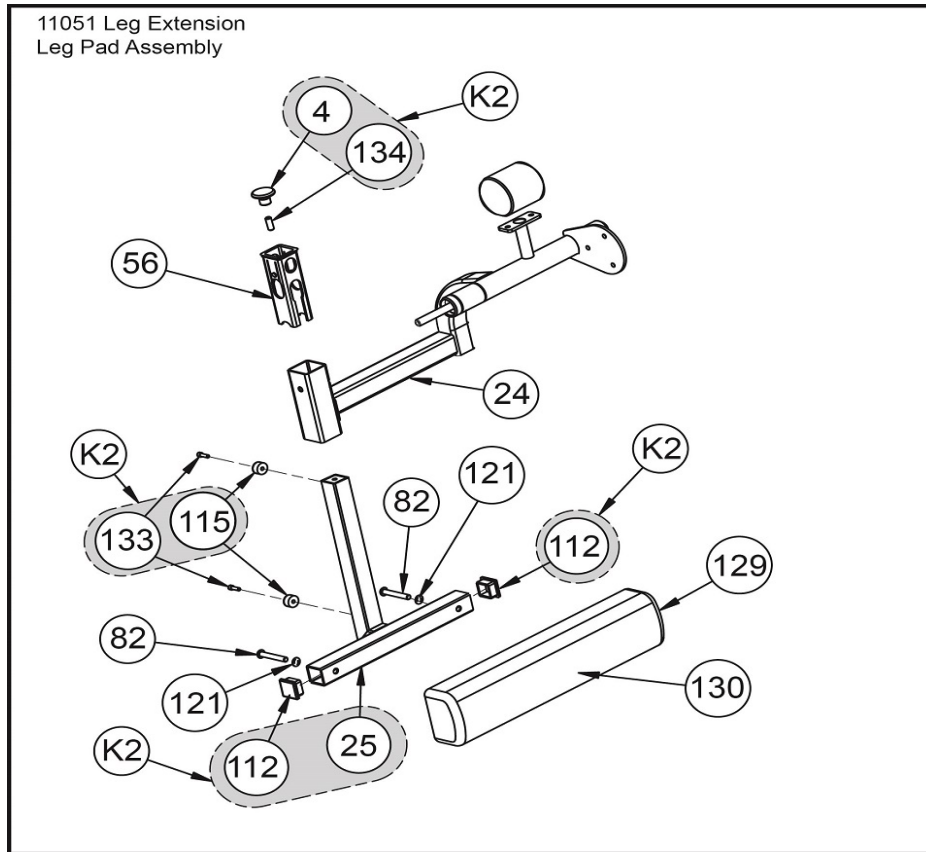
# 11050 Seat Frame Assembly



| Ref # | Part Number | Qty | Description                          |
|-------|-------------|-----|--------------------------------------|
| K3    | 11050K002   | 2   | KIT HANDLE                           |
| K4    | 11090K006   | 2   | KIT HANDLE TRIM RING                 |
| 17    | 11050-201   | 2   | W FRAME Custom                       |
| 19    | 11050-203   | 2   | NLA: W HANDLE                        |
| 20    | 11050-204   | 1   | W CUSHION PLATE Custom               |
| 21    | 11050-205   | 1   | W LINK Custom                        |
| 22    | 11050-206   | 2   | W DETENT LINK Custom                 |
| 31    | 11050-374   | 2   | PIN PIVOT                            |
| 32    | 11050-375   | 2   | PIN PIVOT                            |
| 36    | 11050-402   | 1   | COVER SHEET                          |
| 47    | 11090-314   | 1   | PIN DETENT                           |
| 48    | 11090-374   | 3   | END CAP                              |
| 49    | 11090-376   | 2   | RING HANDLE GRIP                     |
| 50    | 11090-385   | 2   | GRIP                                 |
| 67    | BS070201    | 1   | COM SPRING .56 ID X .66 OD X 1.50 LG |
| 69    | EZ000006    | 1   | GAS SPRING 250N                      |
| 72    | FB050211    | 2   | BRG FLG .38 X .50 .25 LG             |
| 74    | FB130207    | 7   | BRG FLG 17MM X 19MM X 25MM           |
| 82    | HC700430    | 6   | BHSCS .375-16 X 2.50                 |
| 83    | HC700432    | 3   | BHSCS .375-16 X 2.75                 |
| 84    | HD303312    | 1   | S BOLT .250 X .500 .190-10-24        |
| 85    | HF449063    | 4   | INSERT 3-4X1-4-20 CONNECTOR          |

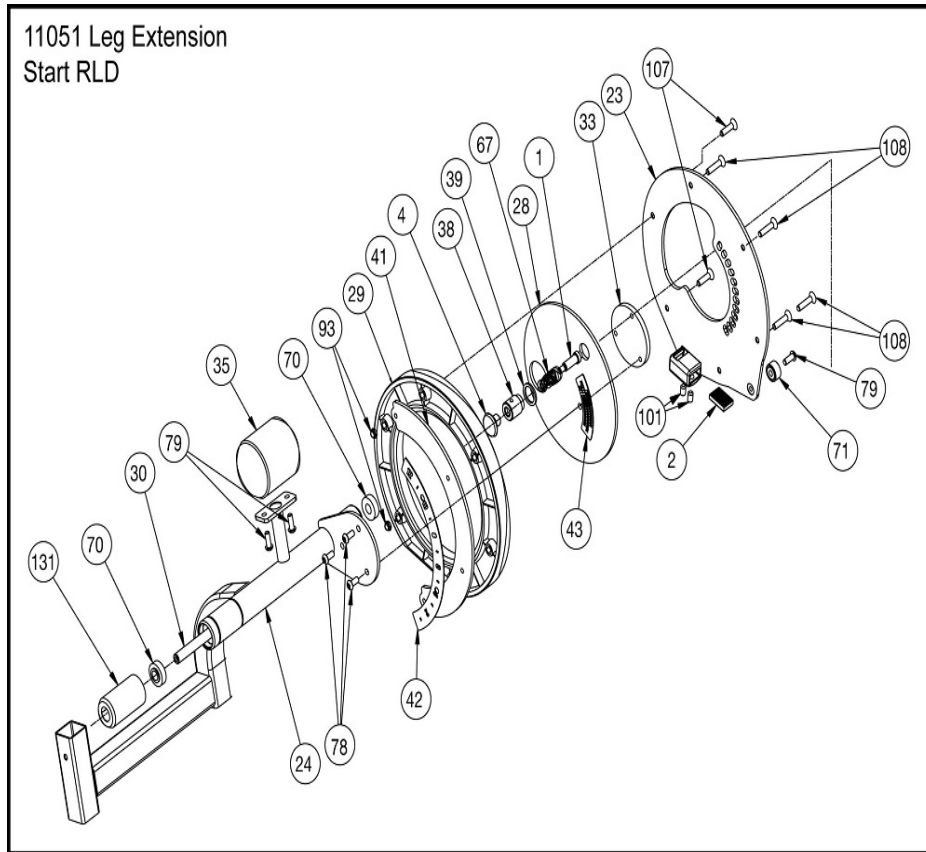
| Ref # | Part Number | Qty | Description                      |
|-------|-------------|-----|----------------------------------|
| 88    | HN575100    | 1   | LOCKNUT .190-NO 10-24            |
| 89    | HN-60065    | 1   | NUT SELF-LOCKING 5-16-18 B-ZN    |
| 93    | HS328300    | 1   | LOCKWASHER SPLIT .312            |
| 94    | HS347600    | 4   | WASHER SAE .375                  |
| 100   | HX-60184    | 2   | BALL,STUD,5/16 -18X10MM          |
| 103   | JC620422    | 2   | BHSCS .250-20 X 1.50             |
| 104   | JC700412    | 6   | BHSCS .375-16 X .50              |
| 105   | JC700420    | 5   | BHSCS .375-16 X 1.25             |
| 106   | JD343320    | 1   | S BOLT .375 X 1.25 .312-18       |
| 109   | PP080207    | 1   | INSERT PLASTIC .437 DIA 11 GA    |
| 111   | PP090210    | 1   | INSERT PL 2.00 SQ X 10-14 GA     |
| 116   | 4605-507    | 2   | GRAB GRIP 6.50                   |
| 119   | 11000-394   | 1   | DECAL INDICATOR                  |
| 120   | 11050-423   | 1   | DECAL SEAT ADJUSTING             |
| 122   | HN664900    | 1   | LOCKNUT .312-18 NYLON INSERT     |
| 123   | HS760100    | 1   | WASH FLAT .380 .625 .090 T       |
| 126   | 4800-176    | 1   | CUSHION SA BACK 18 MOLDED Custom |
| 127   | 4800-131    | 1   | SEAT PAD Custom                  |
| 128   | 4800-134    | 1   | WEAR COVER Custom                |

# 11051 Leg Pad Assembly



| Ref # | Part Number | Qty | Description                          |
|-------|-------------|-----|--------------------------------------|
| K2    | 11050K007   | 4   | KIT CUSHION BAR Custom               |
| 4     | 11040-440   | 1   | KNOB                                 |
| 24    | 11051-209   | 1   | W INPUT ARM Custom                   |
| 25    | 11050-210   | 1   | W CUSHION BAR Custom                 |
| 56    | 4605-511    | 1   | INSERT PLASTIC 5.94                  |
| 82    | HC700430    | 2   | BHSCS .375-16 X 2.50                 |
| 112   | PP090211    | 2   | INSERT PL 1.50 SQ X 10-14 GA         |
| 115   | PR069400    | 2   | BUMPER RECESS                        |
| 121   | JS347400    | 2   | LOCKWASHER INT TOOTH .375            |
| 129   | 4800-006    | 1   | COVERED CUSHION SA CONTOUR 20 Custom |
| 130   | 4800-093    | 1   | WEAR COVER SA 4.5 X 20 Custom        |
| 133   | HC622815    | 2   | SHCS .250-20 X .750                  |
| 134   | HP707017    | 1   | STUD .375-16 X 1.00                  |

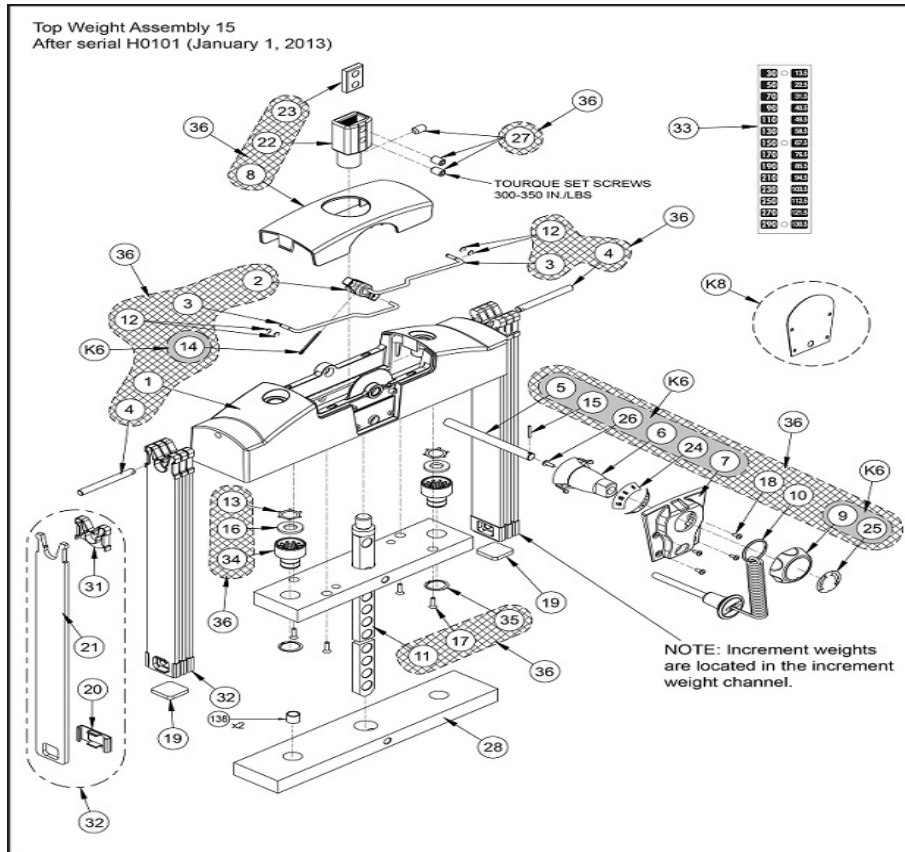
11051 Start RLD



| Ref # | Part Number | Qty | Description                          |
|-------|-------------|-----|--------------------------------------|
| 1     | 08229       | 1   | P PIN DETENT                         |
| 2     | 11040-301   | 1   | INSERT CLAMP BLOCK                   |
| 4     | 11040-440   | 1   | KNOB                                 |
| 23    | 11050-208   | 1   | W CAM PLATE                          |
| 24    | 11051-209   | 1   | W INPUT ARM Custom                   |
| 28    | 11050-332   | 1   | PLATE ECCENTRIC                      |
| 29    | 11050-333   | 1   | CAM                                  |
| 30    | 11050-364   | 1   | SHAFT PIVOT                          |
| 33    | 11050-387   | 1   | PLATE ROUND MOUNTING                 |
| 35    | 11050-400   | 1   | COUNTERWEIGHT 3.87                   |
| 38    | 11050-407   | 1   | RETAINER                             |
| 39    | 11050-408   | 1   | SPACER                               |
| 41    | 11050-413   | 1   | PLATE DECAL CAM                      |
| 42    | 11050-414   | 1   | DECAL ADJUSTMENT                     |
| 43    | 12050-377   | 1   | DECAL START RLD Custom               |
| 67    | BS070201    | 1   | COM SPRING .56 ID X .66 OD X 1.50 LG |
| 70    | FB030232    | 2   | BRG RADIAL 17MM ID EXT RACE          |
| 71    | FB030239    | 1   | CAM FOLLOWER 10 MM                   |
| 78    | HC700416    | 3   | BHSCS .375-16 X .875                 |
| 79    | HC700417    | 3   | BHSCS .375-16 X 1.00                 |
| 93    | HS328300    | 2   | LOCKWASHER SPLIT .312                |
| 101   | HY740000    | 2   | SET SCREW                            |

| <b>Ref #</b> | <b>Part Number</b> | <b>Qty</b> | <b>Description</b>   |
|--------------|--------------------|------------|----------------------|
| 107          | JC700922           | 2          | FHSCS .375-16 X 1.50 |
| 108          | JC700924           | 4          | FHSCS .375-16 X 1.75 |
| 131          | 11100-361          | 1          | END CAP              |

**15 Top Weight Assembly H0101 to Current**



| Ref # | Part Number | Qty | Description                             |
|-------|-------------|-----|---|
| 2     | 11040-367   | 1   | HUB MOLDED                              |
| 3     | 11040-369   | 2   | ROD LINKAGE                             |
| K3    | 11040K009   | 3   | KIT INCREMENT WEIGHT KNOB               |
| 4     | 11040-370   | 2   | PIN                                     |
| K5    | 11040K007   | 1   | KIT NON-INCREMENTAL TOP WEIGHT          |
| 5     | 11040-427   | 1   | ROD                                     |
| 6     | 11040-426   | 1   | STEM                                    |
| 7     | 11040-424   | 1   | COVER PLATE                             |
| 8     | 11040-416   | 1   | COVER TOP WEIGHT                        |
| 9     | 11040-425   | 1   | KNOB                                    |
| 10    | BH030207    | 1   | PIN WEIGHT SELECTOR                     |
| 11    | 4700-281    | 1   | C LIFTING POST 15                       |
| 12    | BR030209    | 4   | RETAINING RING .188                     |
| 13    | BR030220    | 1   | RETAINING RING 1.250 INTERNAL           |
| 14    | HP016820    | 1   | COTTER PIN .125 X 1.25                  |
| 15    | HP266765    | 1   | ROLL PIN .125 X .938                    |
| 16    | HS720004    | 1   | WASHER FELT .641 ID X 1.250 OD X .125 T |
| 17    | HT562715    | 1   | TAP SC NO 10 X .750 F PHIL              |
| 18    | HT582510    | 1   | TAP SC NO 10 X .375 PN HD PHIL          |
| 19    | 11040-409   | 2   | BUMPER                                  |
| 20    | 11040-572   | 1   | GUARD INCREMENT WEIGHT                  |
| 21,31 | 11040-030   | 3   | INCREMENT WEIGHT S/A                    |

| Ref # | Part Number | Qty | Description  |
|-------|-------------|-----|--|
| 22    | 11040-216   | 1   | P BELT CLAMP   |
| 23    | 11040-301   | 1   | INSERT CLAMP BLOCK                                     |
| 24    | 11040-428   | 1   | DECAL ADJUSTMENT                                       |
| 25    | 20000-429   | 1   | ROTATION DECAL   |
| 26    | HT552512    | 1   | TAP SC NO. 8-16 X .50 PLASTITE PAN HEAD PHILLIPS BLACK |
| 27    | HY740000    | 3   | SET SCREW  |
| 28    | 4000C101    | 1   | C STACK WT 4X18  |
| 29    | 4701-013    | 1   | WT PAC 14 4 X 18 BLACK                                 |
| 30    | 11040-578   | 1   | GUARD, INCREMENT WEIGHT                                |
| 32    | 12000-560   | 1   | DECAL WT PLATE (30-290)                                |
| 33    | 13000-364   | 1   | BEARING FLNG .62 ID X .92 OD X 1.75 LG                 |
| 34    | BR030206    | 1   | RETAINING RING   |
| 35    | 11040-007   | 7   | TOP WEIGHT ASSY 15                                     |

