

EAGLE ARM CURL

11070-01

Parts Manual

1/5/2019 2:07:19 AM

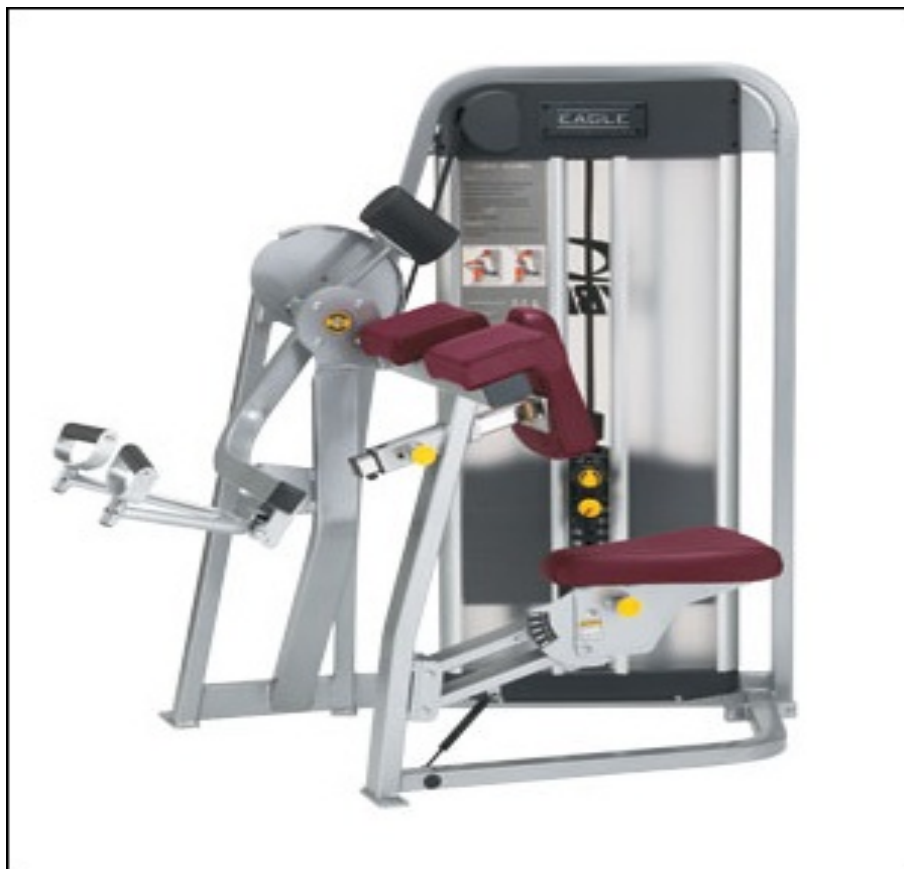
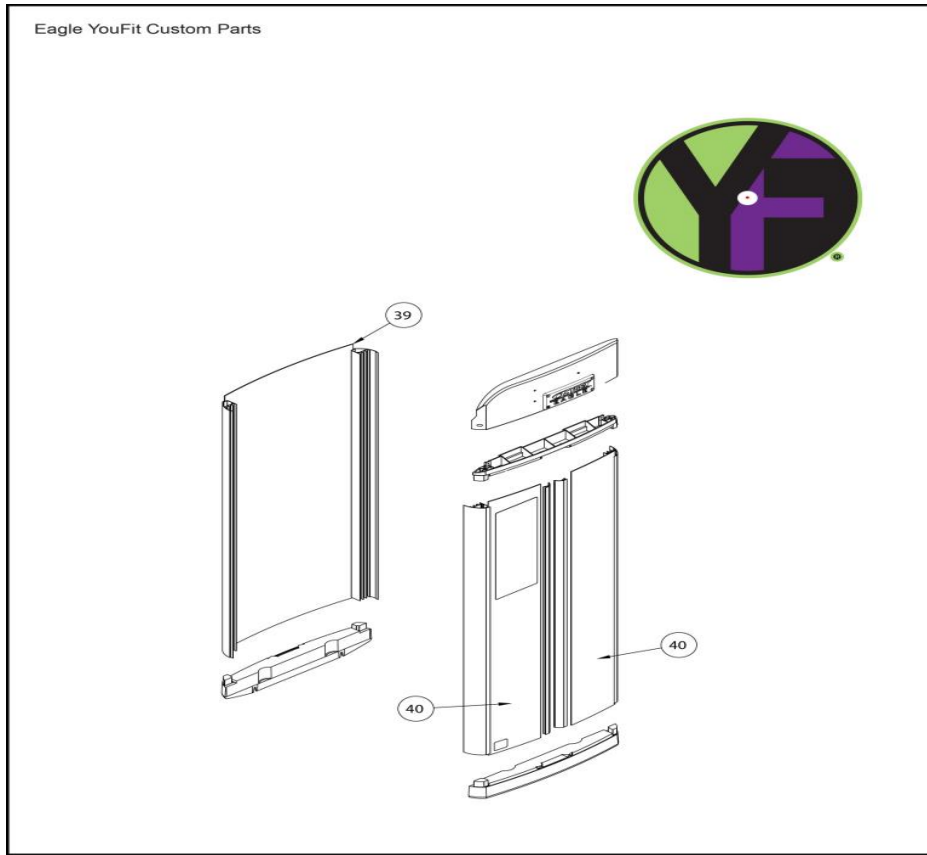


Table of Contents

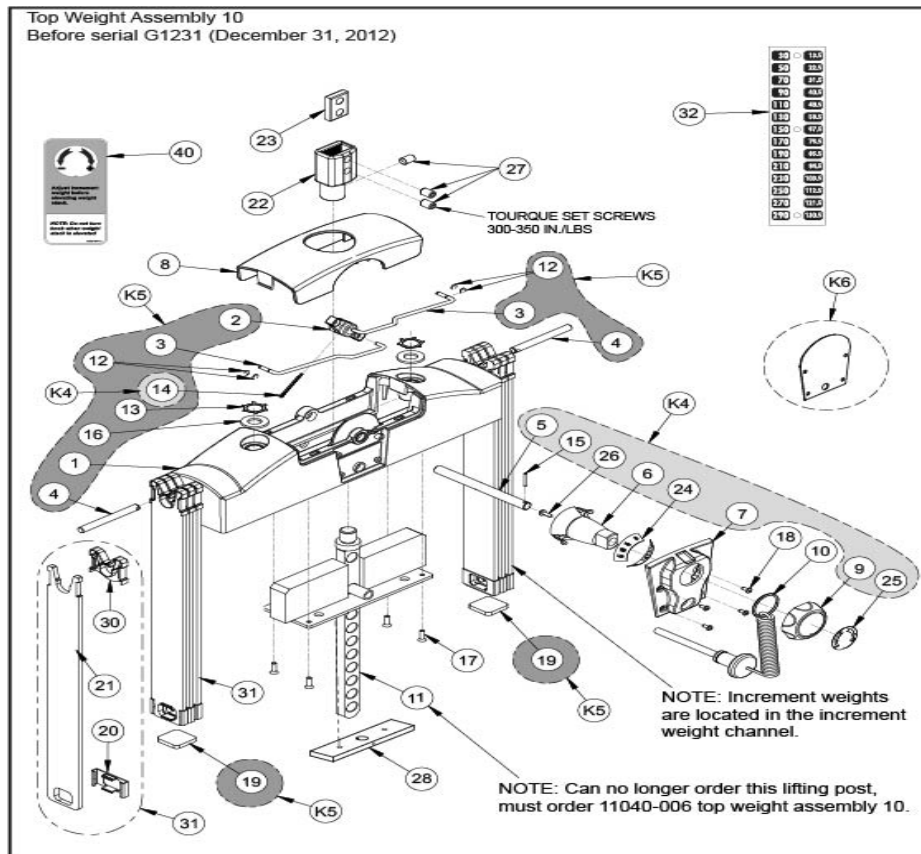
[Eagle YouFit Custom Parts.....](#)3
[10 TOP WEIGHT ASSEMBLY BEFORE G1231.....](#)4
[11070 Arm Assembly.....](#)6
[11070 Belt Routing.....](#)8
[11070 Frame Assembly.....](#)9
[11070 Panel Assembly.....](#)11
[11070 Parts Not Shown.....](#)13
[11070 Seat Assembly.....](#)14

Eagle YouFit Custom Parts



Ref #	Part Number	Qty	Description
39B	11040-760PY	1	PANEL, SHROUD BACK
39A	11040-760GY	1	PANEL, SHROUD BACK
40A	11040-762GY	1	PANEL, SHROUD FRONT
40B	11040-762PY	1	PANEL, SHROUD FRONT

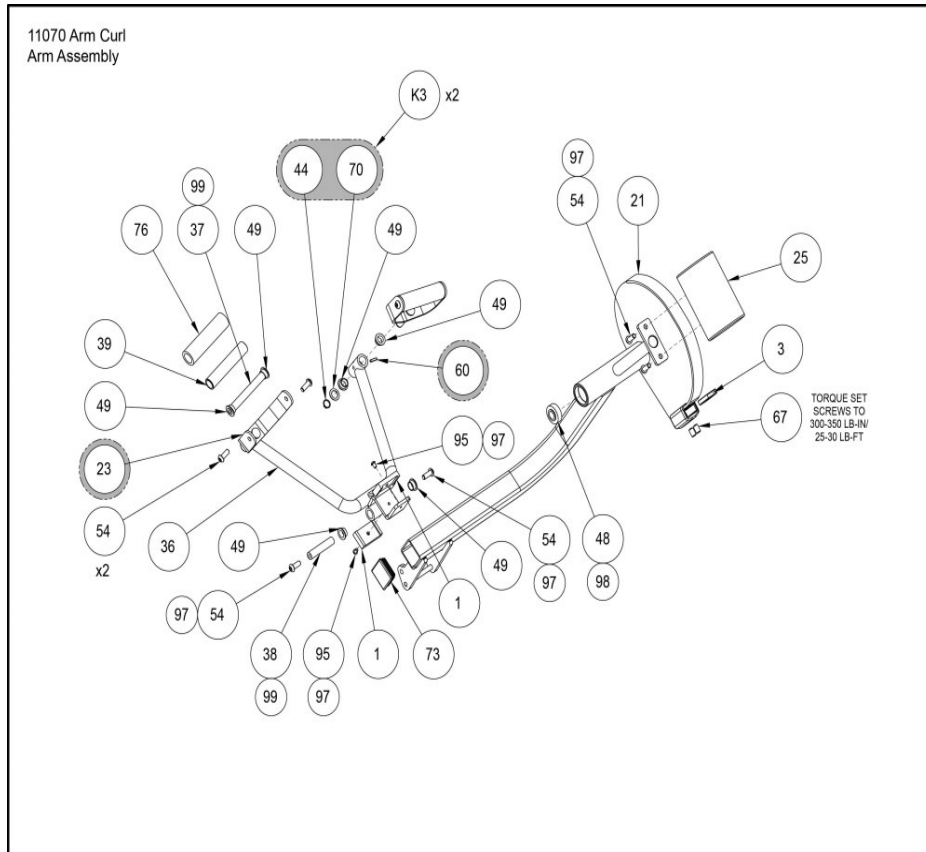
10 TOP WEIGHT ASSEMBLY BEFORE G1231



Ref #	Part Number	Qty	Description
1	11040-366	1	TOP WEIGHT ASSEMBLY MOLDED
2	11040-367	1	HUB MOLDED
3	11040-369	2	ROD LINKAGE
4	11040-370	2	PIN
K4	11040K009	2	KIT INCREMENT WEIGHT KNOB
K5	11040K010	4	Kit Top Weight Hardware
5	11040-427	1	ROD
K6	11040K007	1	KIT NON-INCREMENTAL TOP WEIGHT
6	11040-426	1	STEM
7	11040-424	1	COVER PLATE
8	11040-416	1	COVER TOP WEIGHT
9	11040-425	1	KNOB
10	BH030207	1	PIN WEIGHT SELECTOR
11	4700-250	1	NLA: C LIFTING POST 10
12	BR030209	4	RETAINING RING .188
13	BR030220	1	RETAINING RING 1.250 INTERNAL
14	HP016820	1	COTTER PIN .125 X 1.25
15	HP266765	1	ROLL PIN .125 X .938
16	HS720004	1	WASHER FELT .641 ID X 1.250 OD X .125 T
17	HT562715	1	TAP SC NO 10 X .750 F PHIL
18	HT582510	1	TAP SC NO 10 X .375 PN HD PHIL
19	11040-409	2	BUMPER

Ref #	Part Number	Qty	Description
20	11040-572	1	GUARD INCREMENT WEIGHT
21	11040-577	1	NLA, order 11040-030
22	11040-216	1	P BELT CLAMP
23	11040-301	1	INSERT CLAMP BLOCK
24	11040-428	1	DECAL ADJUSTMENT
25	20000-429	1	ROTATION DECAL
26	HT552512	1	TAP SC NO. 8-16 X .50 PLASTITE PAN HEAD PHILLIPS BLACK
27	HY740000	3	SET SCREW
28	4000C101	1	C STACK WT 4X18
29	4701-011	1	WT PAC 9 4 X 18 BLACK
30	11040-578	1	GUARD, INCREMENT WEIGHT
31	11040-030	2	INCREMENT WEIGHT S/A
32	12000-560	1	DECAL WT PLATE (30-290)
40	11000-407	1	Decal Increment Weight

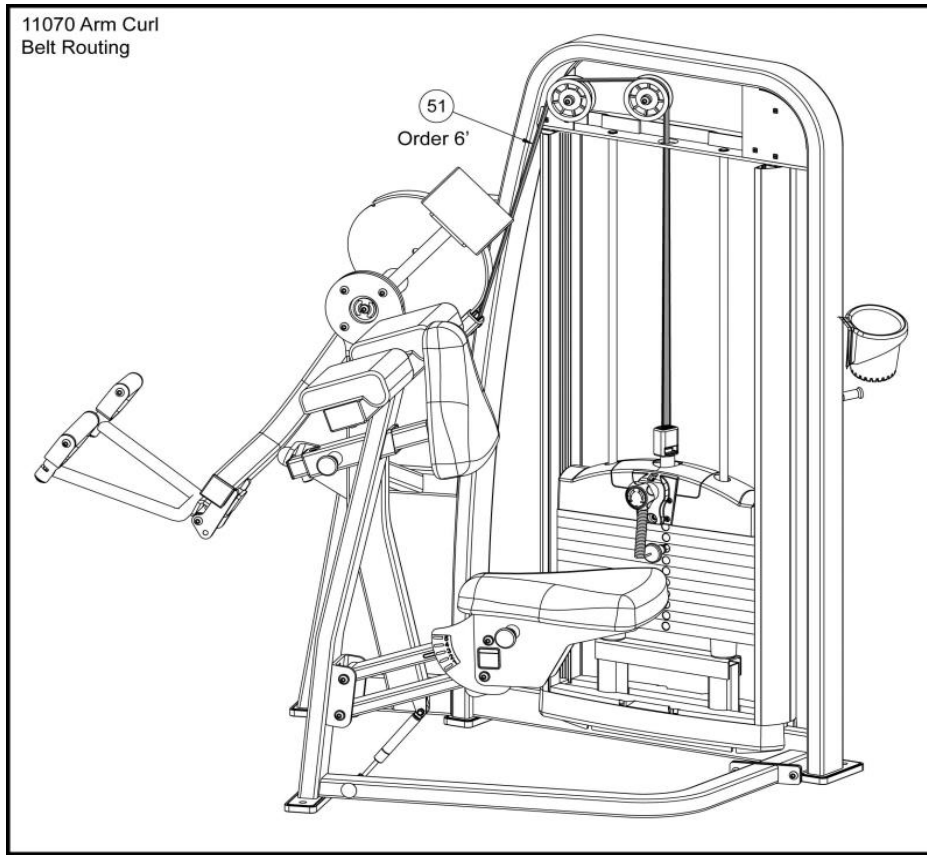
11070 Arm Assembly



Ref #	Part Number	Qty	Description
1	11070-340	2	Bumper
K3	11070K007	1	KIT, PIVOT HANDLE
3	11040-301	1	INSERT CLAMP BLOCK
21	11070-203	1	W INPUT ARM Custom
23	11070-205	2	W HANDLE Custom
25	11070-332	1	C COUNTERWEIGHT
36	4535-201	1	W PIVOT ARM Custom
37	4535-327	2	PIN PIVOT-LONG
38	4535-328	1	PIN PIVOT-SHORT
39	4535-330	2	TUBE PIVOT HANDLE
44	BR030214	3	RETAINING RING .625
48	FB030232	2	BRG RADIAL 17MM ID EXT RACE
49	FB130205	10	BRG FLG .62 X .75 .38 LG
54	HC700417	5	BHSCS .375-16 X 1.00
60	HP286716	2	PIN GROOVE .188 X .750
67	HY740000	2	SET SCREW
70	JS407100	2	BUSHING .625 MACHINERY
73	PP090210	1	INSERT PL 2.00 SQ X 10-14 GA
76	4605-504	2	GRAB GRIP 5.19
95	JC620410	2	BHSCS .250-20 X .375
97	YA000201	1	ADH THRD LKR REM .02 OZ 242
98	YA000226	1	LOCTITE 680 .5 ML

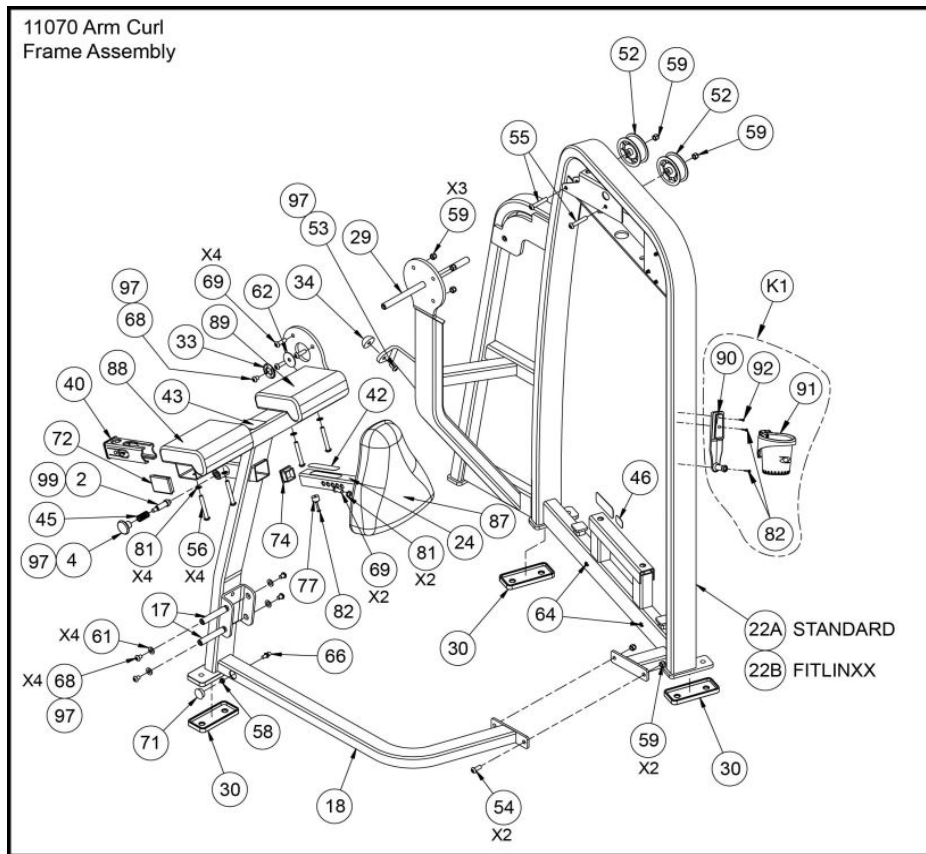
Ref #	Part Number	Qty	Description
99	YG000002	1	NLA: Please use Lithium Grease

11070 Belt Routing



Ref #	Part Number	Qty	Description
51	GB000202	1	BELT .95 WIDE

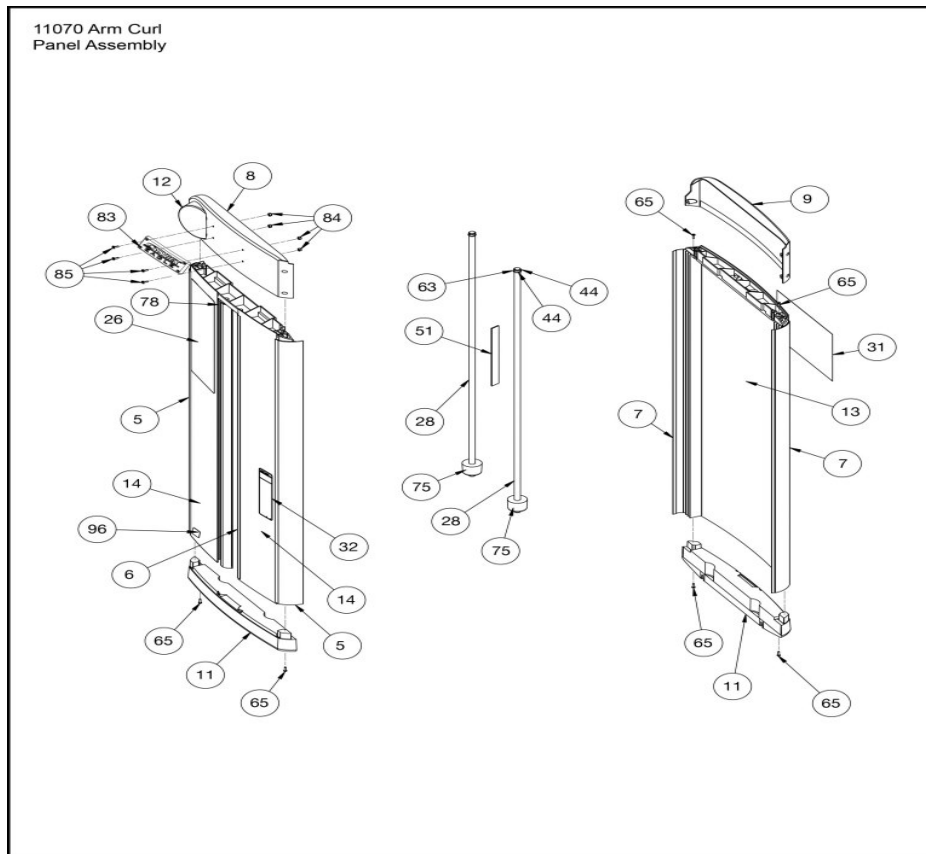
11070 Frame Assembly



Ref #	Part Number	Qty	Description
K1	12000K017	1	Kit Water Bottle Holder
2	08229	1	P PIN DETENT
4	11040-440	1	KNOB
17	11050-375	2	PIN PIVOT
18	11070-200	1	W SEAT FRAME Custom
22A	11070-204	1	W WEIGHT FRAME Custom
22B	11078-200	1	W WEIGHT FRAME Custom
24	11070-207	1	P CUSHION TUBE
29	11090-369	1	SHAFT PIVOT
30	11090-392	4	COVER FOOT
33	11100-400	1	DECAL ROTATION
34	4505-331	1	BUMPER 1.50 DIA
40	4605-511	1	INSERT PLASTIC 5.94
42	5227-337	1	DECAL ADJUSTING
43	8500-026	2	NLA: DECAL CAUTION
45	BS070201	1	COM SPRING .56 ID X .66 OD X 1.50 LG
46	CM000211	1	DECAL PATENT
52	GP000209	2	PULLEY ASSEMBLY-3.50
53	HC700415	1	BHSCS .375-16 X .75
54	HC700417	5	BHSCS .375-16 X 1.00
55	HC700428	2	BHSCS .375-16 X 2.25
56	HC700432	4	BHSCS .375-16 X 2.75

Ref #	Part Number	Qty	Description
58	HN-60065	1	NUT SELF-LOCKING 5-16-18 B-ZN
59	HN704901	8	LOCKNUT .375-16 NYLON
61	HS347600	4	WASHER SAE .375
62	HS347702	1	WASHER FLAT .387 ID X 1.753 OD X .06 T
64	HT102214	4	SCREW,10-24,HXHD WSHR PHIL,TYP 23
66	HX-60184	1	BALL,STUD,5/16 -18X10MM
68	JC700412	5	BHSCS .375-16 X .50
69	JC700420	4	BHSCS .375-16 X 1.25
71	PN660200	1	INSERT PLASTIC 1.00 DIA-11 GA
72	PP090206	1	INSERT PLASTIC 2.0 x 3.0 11 Ga
74	PP090211	1	INSERT PL 1.50 SQ X 10-14 GA
77	PR060006	1	BUMPER RECESS
81	JS347400	4	LOCKWASHER INT TOOTH .375
82	HT512517	2	TAP SC 10-24 X 1.00 TYPE WB PN HD PHIL BLK
87	4800-164	1	CUSHION SA BIKE SEAT 12in MOLD Custom
88	4800-119	2	COVERED CUSHION SA 6.75 X 7.50 Custom
89	4800-122	2	WEAR COVER SA 6.75 X 7.50 Custom
90	13000-402	1	Mount Water Bottle Holder
91	13000-400	1	Holder Water Bottle
92	HT552515	1	TAP SC NO. 8-16 X .75 PLASTITE PN HD PHIL BLK
97	YA000201	1	ADH THRD LKR REM .02 OZ 242
99	YG000002	1	NLA: Please use Lithium Grease

11070 Panel Assembly



Ref #	Part Number	Qty	Description
5	11040-750	2	EXTRUDED INC WT CHANNEL
6	11040-754	2	EXTRUDED GUARD
7	11040-751	2	EXTRUDED INC WT CHANNEL
8	11040-771	1	COVER TOP
9	11040-768	1	COVER TOP
11	11040-777	2	TRAY BOTTOM
12	11040-775	1	COVER PULLEY
13	11040-760	1	PANEL SHROUD BACK
14	11040-762	2	PANEL SHROUD FRONT
26	11070-610	1	Plac Eagle Seat Arm Curl
28	11090-359	2	WT ROD .625 DIA X 44.00
31	3900-441	1	DECAL CYBEX VER BLACK
32	4605-381	1	DECAL WARNING
44	BR030214	3	RETAINING RING .625
51	GB000202	1	BELT .95 WIDE
63	HS407100	2	WASH SPRG .650 .790 .062 T
65	HT542514	18	TAP SC NO 8-32 X .625 A PHIL
75	PR060005	2	BUMPER WEIGHT
78	PR250203-NOT-USE D	2	NLA: FOAM STRIP .12 X .25
83	11040-769	1	PLAQUE EAGLE
84	HN575100	4	LOCKNUT .190-NO 10-24

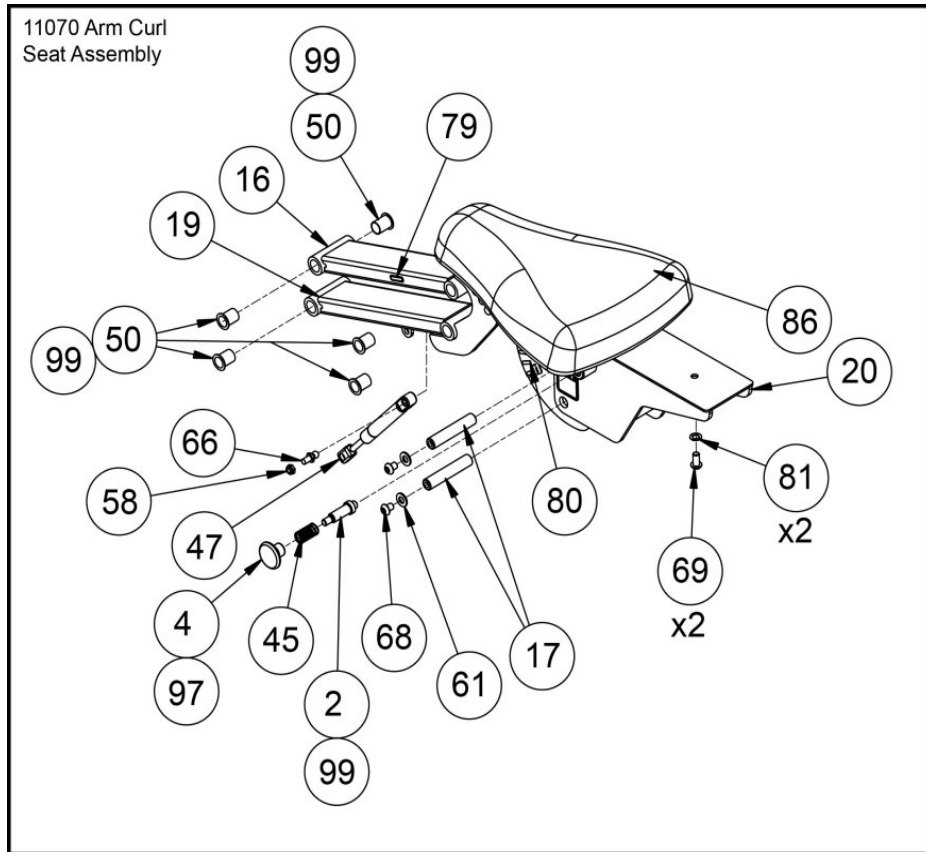
Ref #	Part Number	Qty	Description
85	HT572512	4	TAP SC NO. 10 - 24 X .50 PN HD PHIL
96	11040-790	1	NLA: DECAL, MADE IN THE USA

11070 Parts Not Shown



Ref #	Part Number	Qty	Description
K5	11070K005	1	KIT ADJUSTING DECAL
K6	11000K010	1	Kit Hardware Eagle

11070 Seat Assembly



Ref #	Part Number	Qty	Description
2	08229	1	P PIN DETENT
4	11040-440	1	KNOB
16	11050-205	1	W LINK Custom
17	11050-375	2	PIN PIVOT
19	11070-201	1	W FOUR BAR SEAT Custom
20	11070-202	1	W SEAT Custom
45	BS070201	1	COM SPRING .56 ID X .66 OD X 1.50 LG
47	EZ000006	1	GAS SPRING 250N
50	FB130207	8	BRG FLG 17MM X 19MM X 25MM
53	HC700415	1	BHSCS .375-16 X .75
58	HN-60065	1	NUT SELF-LOCKING 5-16-18 B-ZN
61	HS347600	5	WASHER SAE .375
66	HX-60184	1	BALL,STUD,5/16 -18X10MM
68	JC700412	5	BHSCS .375-16 X .50
69	JC700420	4	BHSCS .375-16 X 1.25
79	12070-394	1	DECAL INDICATOR
80	11070-337	1	DECAL SEAT ADJUSTING
81	JS347400	4	LOCKWASHER INT TOOTH .375
86	4800-172	1	CUSHION SA BIKE 15in MOLDED Custom
97	YA000201	1	ADH THRD LKR REM .02 OZ 242
99	YG000002	1	NLA: Please use Lithium Grease

