

Vr3 Leg Extension Start Rld Sbm V01

12051-01

Parts Manual

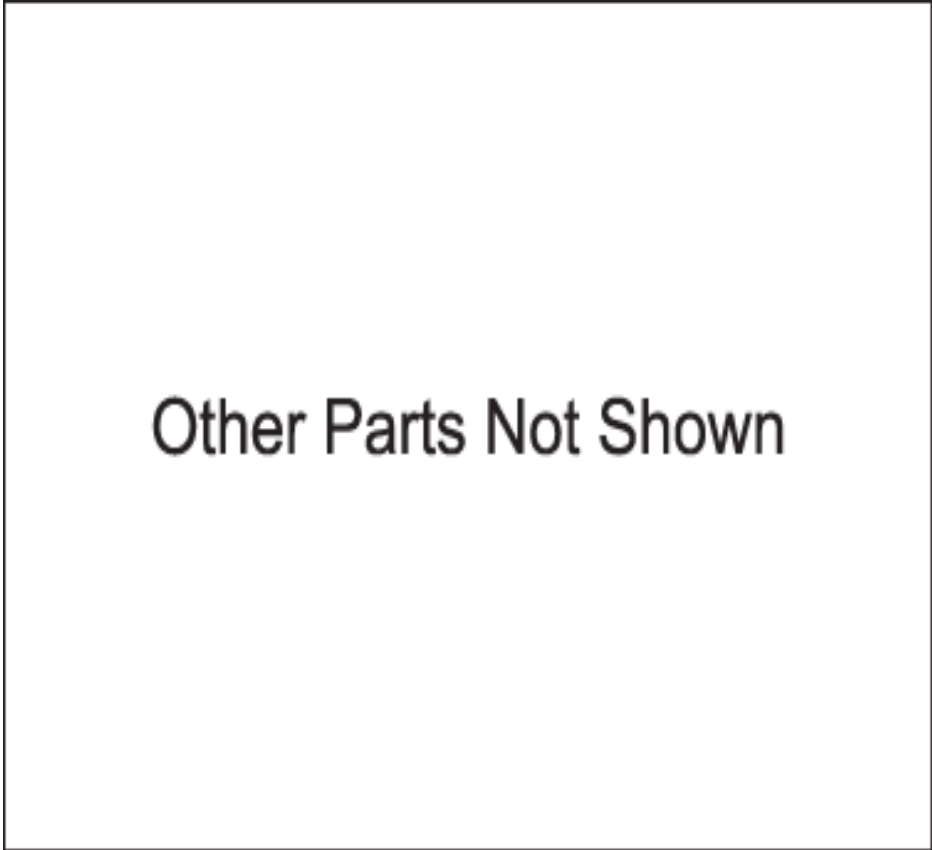
1/5/2019 2:17:22 AM



Table of Contents

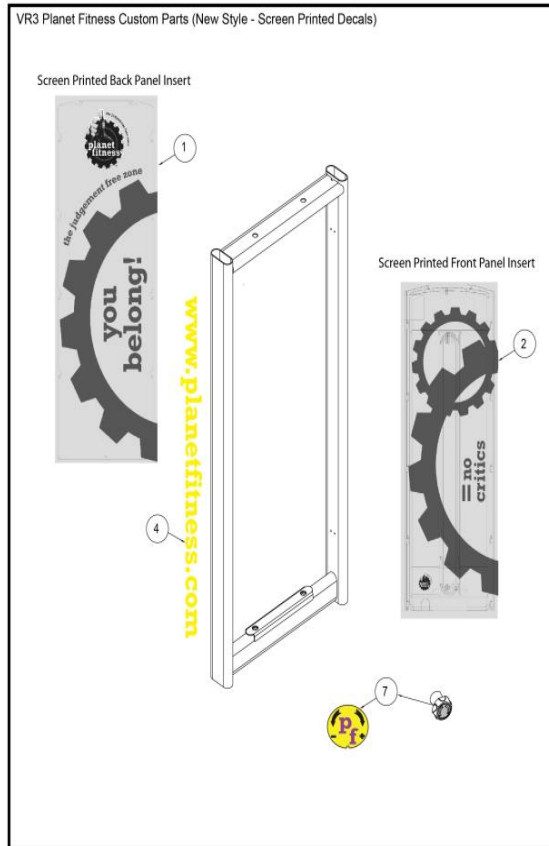
Parts not shown.....	3
VR3 Planet Fitness Custom (New Style).....	4
VR3 Planet Fitness Custom (Old Style).....	5
VR3 You Fit Custom.....	6
VR3 - Snap Fitness.....	7
12050 Back Pad Assembly.....	8
12050 Belt Routing.....	10
12050 Frame Assembly.....	11
12050 Heavy Stack Assembly.....	13
12050 Leg Pad Assembly.....	14
12050 Light Stack Assembly.....	15
12050 Panel Assembly.....	16
12050 Seat Pad Assembly.....	17
12051 Start RLD.....	18
15 Top weight assembly Before G1231.....	20

Parts not shown



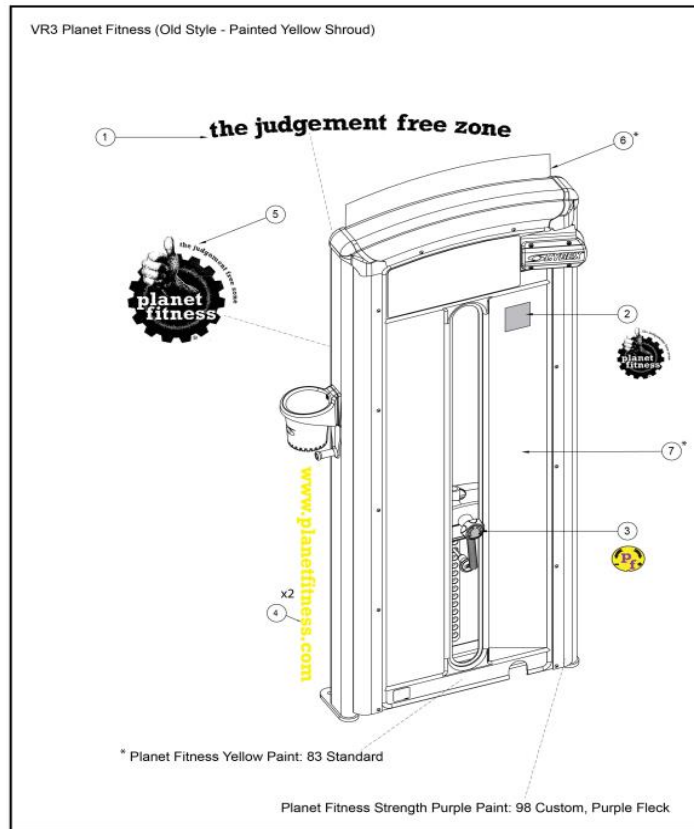
Ref #	Part Number	Qty	Description
K9	12000K019	1	Kit Hardware VR3

VR3 Planet Fitness Custom (New Style)



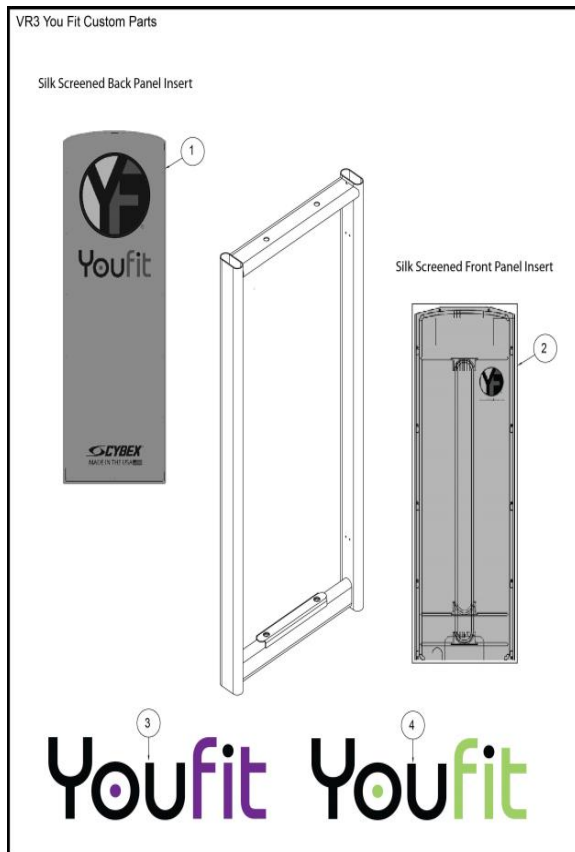
Ref #	Part Number	Qty	Description
1	12000-375P	1	BACK PANEL INSERT, PLANET FITNESS
2	12000-399P	1	Panel insert, Planet Fitness
4	DE-60251	1	WWW.PLANETFITNESS.COM DECAL (YELLOW)
7	DE-60231	1	DECAL ROTATION PLANET FITNESS

VR3 Planet Fitness Custom (Old Style)



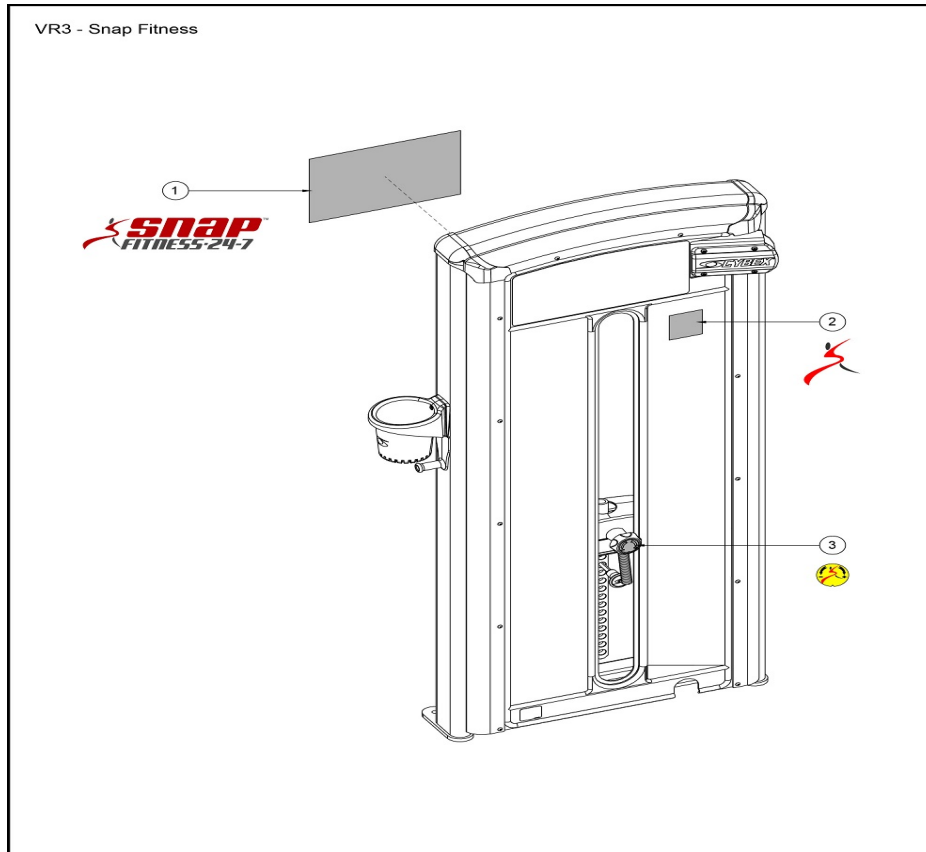
Ref #	Part Number	Qty	Description
1	DE-60232	1	DECAL JUDGEMENT FREE ZONE
2	DE-60233	1	DECAL THUMBS UP 3 INCH PLANET FITNESS
3	DE-60231	1	DECAL ROTATION PLANET FITNESS
4	DE-60251	1	WWW.PLANETFITNESS.COM DECAL (YELLOW)
5	DE-60235	1	DECAL THUMBS UP 13 INCH PLANET FITNESS
6	12000-375Y	1	BACK PANEL INSERT YELLOW
7	12000-399Y	1	PANEL INSERT YELLOW

VR3 You Fit Custom



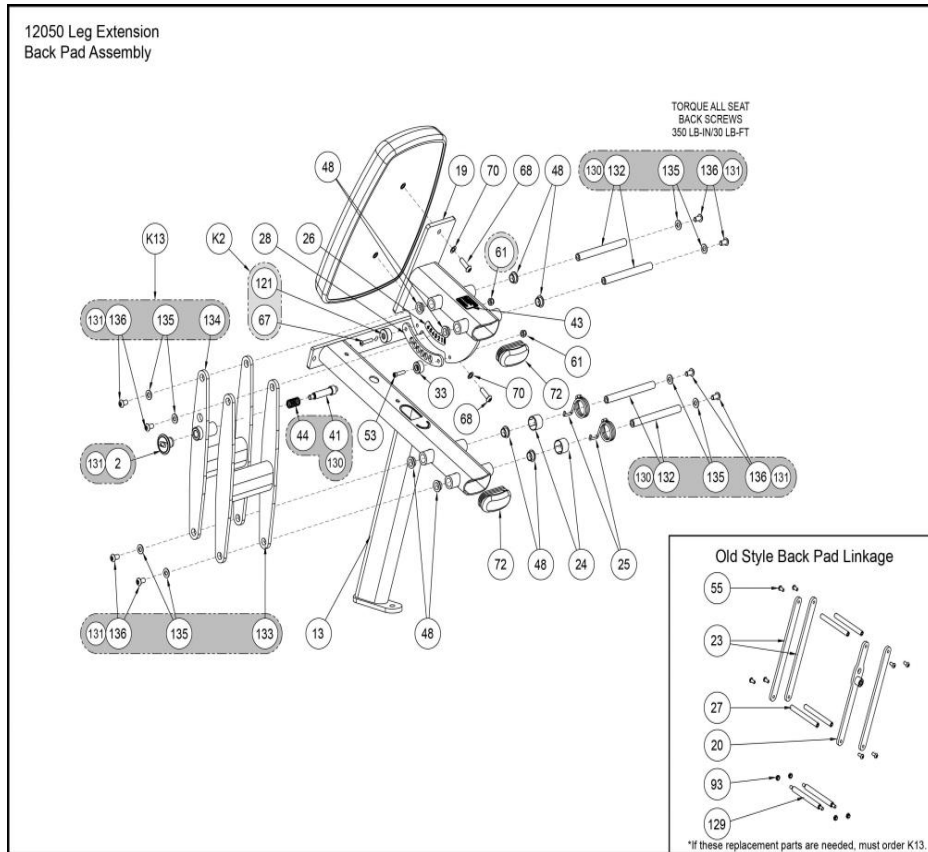
Ref #	Part Number	Qty	Description
1A	12000-375GY	1	BACK PANEL INSERT, YOUFIT GREEN
1C	12000-375PY	1	BACK PANEL INSERT, YOUFIT PURPLE
1B	12000-375YG	1	BACK PANEL INSERT, YOUFIT GREEN
1D	12000-375YP	1	BACK PANEL INSERT, YOUFIT PURPLE
2A	12000-399GY	1	PANEL INSERT, YOUFIT GREEN
2B	12000-399YP	1	PANEL INSERT, YOUFIT PURPLE
3	DE-60274	1	DECAL, YOUFIT PURPLE
4	DE-60275	1	DECAL, YOUFIT GREEN

VR3 - Snap Fitness



Ref #	Part Number	Qty	Description
1	12000-422	1	Decal Snap Fitness Logo 13.00
2	12000-423	1	DECAL SNAP FITNESS RUNNING MAN 3.00
3	12000-424	1	Decal Snap Fitness Rotation

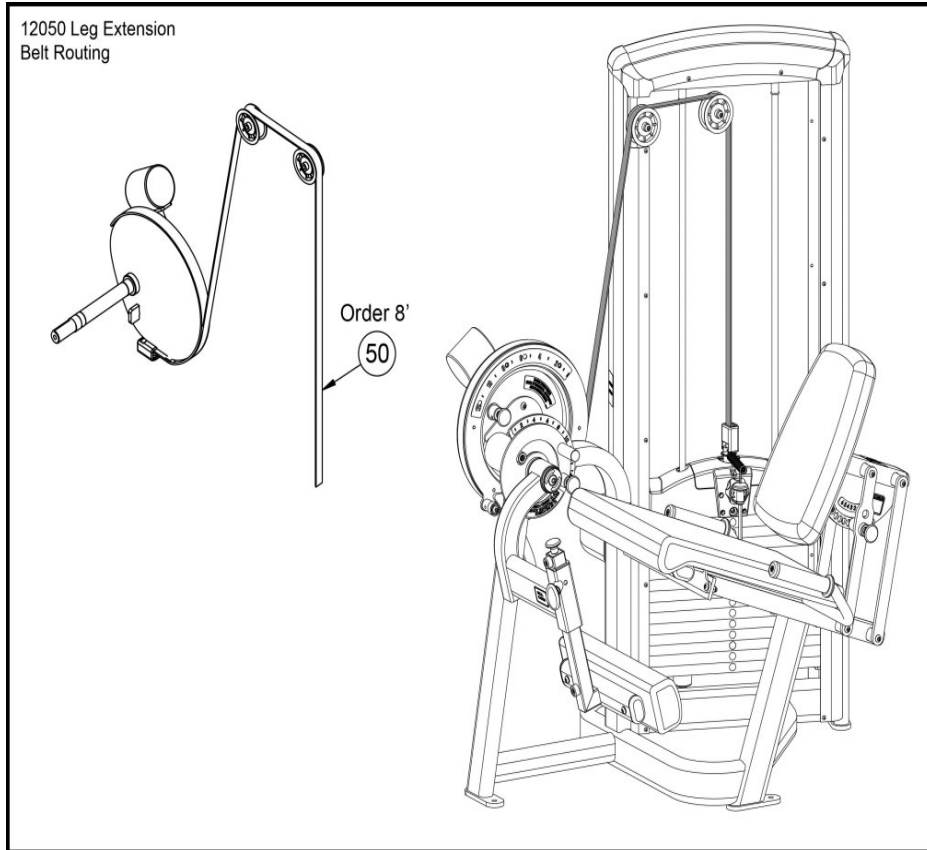
12050 Back Pad Assembly



Ref #	Part Number	Qty	Description
2	11040-440	1	KNOB
K2	12050K007	1	KIT, BUMPER REPLACEMENT
K13	12050K009	1	KIT, SEAT BAR LINKAGE Custom
13	12050-200	1	W MAIN FRAME Custom
19	12050-212	1	W SEAT BACK Custom
20	12050-213	1	NLA: W DETENT LINK
23	12050-368	2	NLA: LINK SEAT MOUNT
24	12050-369	2	ENDCAP
25	12050-370	2	SPRING TORSION
26	12050-374	1	DECAL SEAT ADJUST
27	12050-375	1	NLA: PIN PIVOT
28	12050-380	1	P DETENT PLATE
33	12100-303	1	BUMPER
41	4713-318	1	PIN DETENT
43	8500-025	1	DECAL CAUTION Custom
44	BS070201	1	COM SPRING .56 ID X .66 OD X 1.50 LG
48	FB130205	8	BRG FLG .62 X .75 .38 LG
53	HC622820	1	SHCS .250-20 X 1.25
55	HC700417	1	BHSCS .375-16 X 1.00
61	HN625200	2	LOCKNUT .250-20 NYLON HVY
67	JC620422	1	BHSCS .250-20 X 1.50
68	JC700420	2	BHSCS .375-16 X 1.25

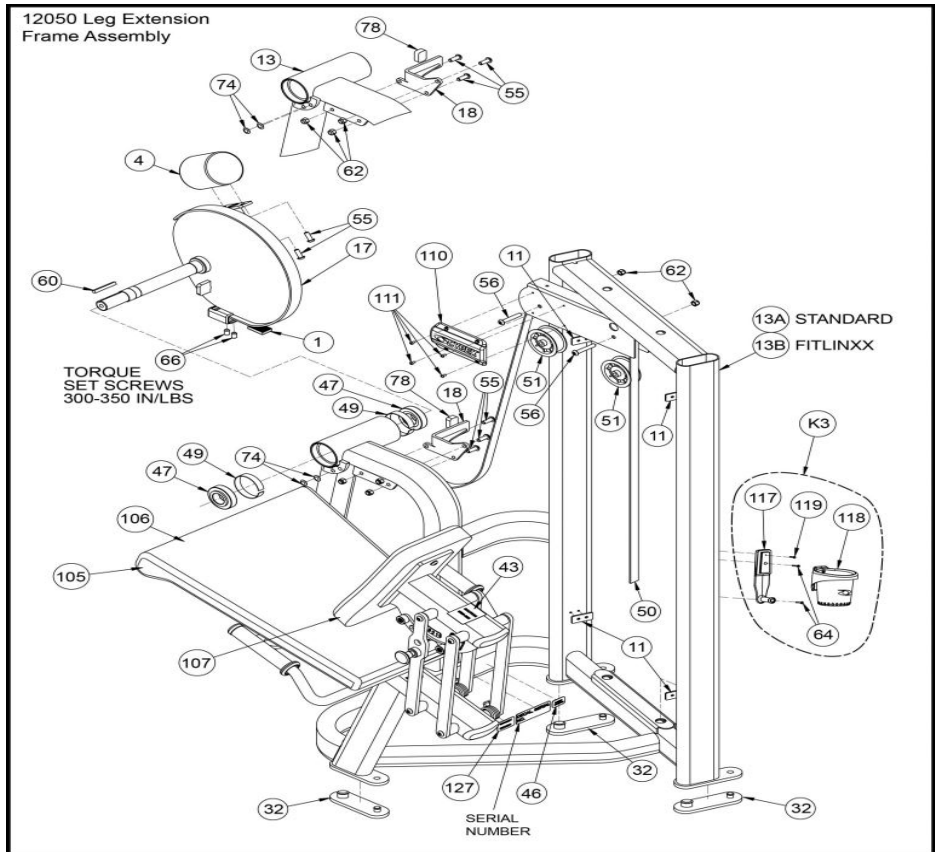
Ref #	Part Number	Qty	Description
70	JS347400	2	LOCKWASHER INT TOOTH .375
72	PP130002	1	INSERT DOMED PLASTIC
93	HN704902	1	LOCKNUT NYLON .375-16
107	4800-176	1	CUSHION SA BACK 18 MOLDED Custom
121	12100-312	1	BUMPER
129	12600-305	1	NLA: PIVOT SHAFT
132	12000-480	4	PIN, PIVOT
133	12000-211	1	W DETENT LINK Custom
134	12050-217	1	NLA: W DETENT LINK
135	HS347600	8	WASHER SAE .375
136	HC700415	8	BHSCS .375-16 X .75

12050 Belt Routing



Ref #	Part Number	Qty	Description
50	GB000202	1	BELT .95 WIDE

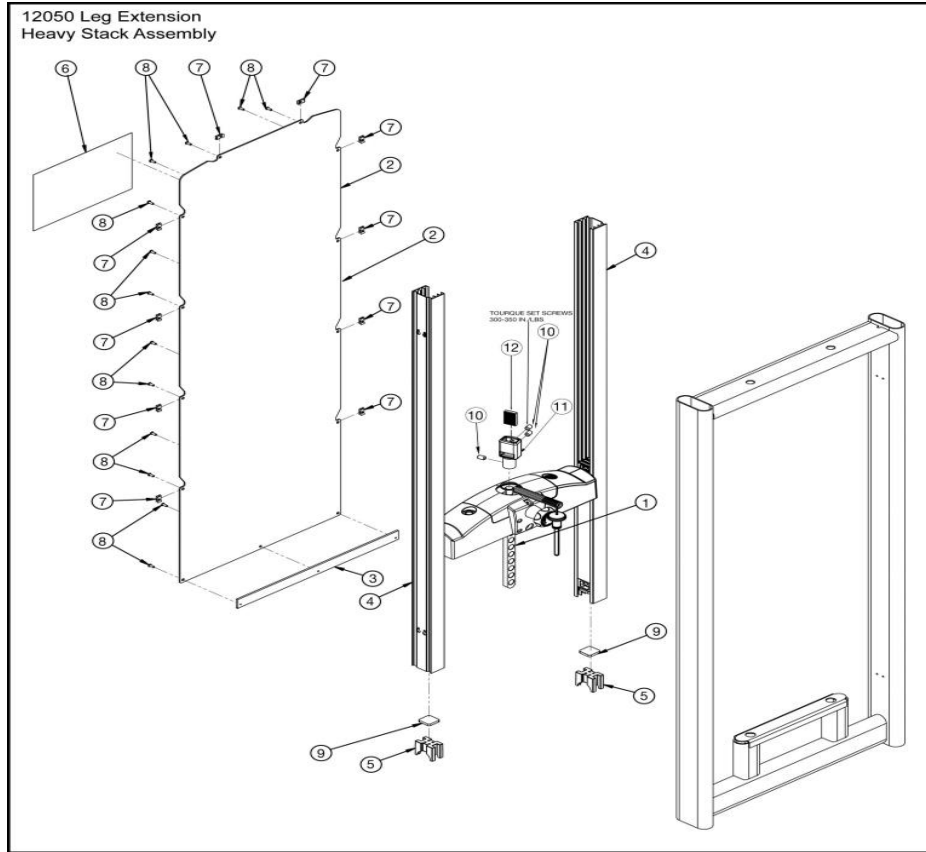
12050 Frame Assembly



Ref #	Part Number	Qty	Description
1	11040-301	1	INSERT CLAMP BLOCK
K3	12000K017	1	Kit Water Bottle Holder
4	11050-400	1	COUNTERWEIGHT 3.87
11	12000-398	4	SPACER
13A	12050-200	1	W MAIN FRAME Custom
13B	12058-200	1	W MAIN FRAME Custom
17	12050-210	1	W CAM Custom
18	12050-211	2	W STOP BRACKET Custom
32	12090-322	3	PAD FOOT
46	CM000211	1	DECAL PATENT
47	FB030249	2	BEARING RADIAL 35MM EXT RACE
49	FC030009	2	TOLERANCE RING 72MM
50	GB000202	1	BELT .95 WIDE
51	GP000209	2	PULLEY ASSEMBLY-3.50
55	HC700417	8	BHSCS .375-16 X 1.00
56	HC700428	2	BHSCS .375-16 X 2.25
60	HH320030	1	KEY .313 SQ X 2.50
62	HN704901	5	LOCKNUT .375-16 NYLON
64	HT512517	2	TAP SC 10-24 X 1.00 TYPE WB PN HD PHIL BLK
66	HY740000	2	SET SCREW
74	PP660006	4	PLUG SNAP IN
78	PU060201	2	BUMPER

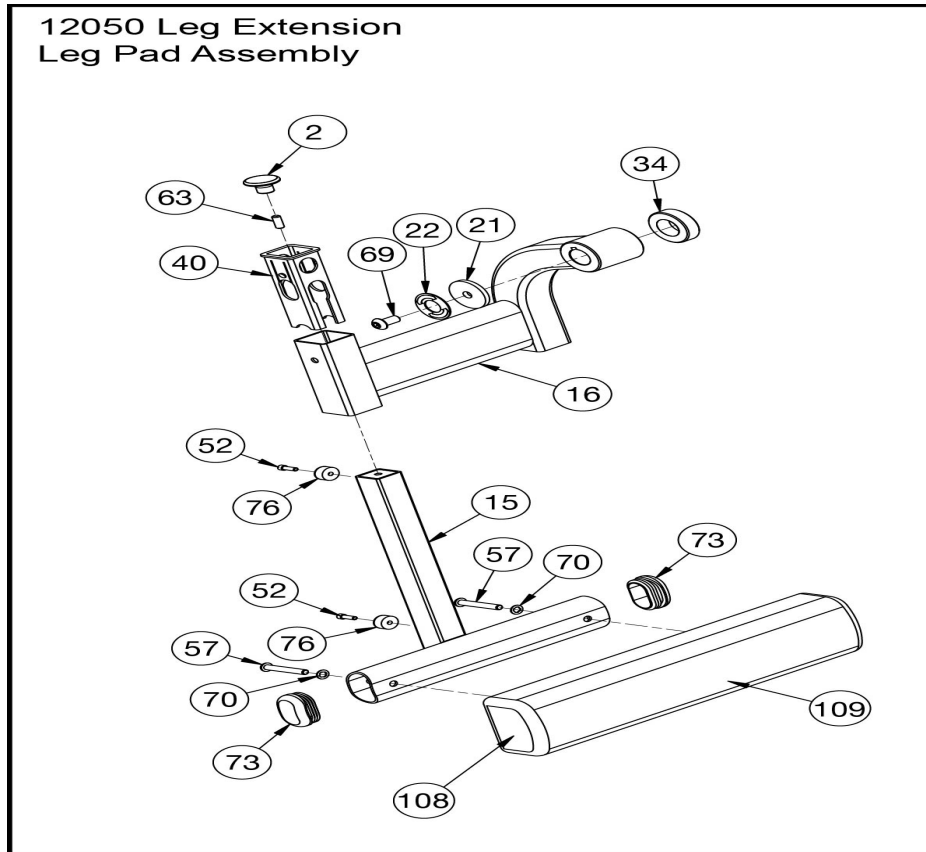
Ref #	Part Number	Qty	Description
105	4800-131	1	SEAT PAD Custom
106	4800-134	1	WEAR COVER Custom
107	4800-176	1	CUSHION SA BACK 18 MOLDED Custom
110	12000-466	1	PULLEY COVER
111	HT570410	4	SCREW PNH TORX 10-24X.375 BLACK
117	13000-402	1	Mount Water Bottle Holder
118	13000-400	1	Holder Water Bottle
119	HT552515	11	TAP SC NO. 8-16 X .75 PLASTITE PN HD PHIL BLK
127	CM000261	1	DECAL, CAPACITY

12050 Heavy Stack Assembly



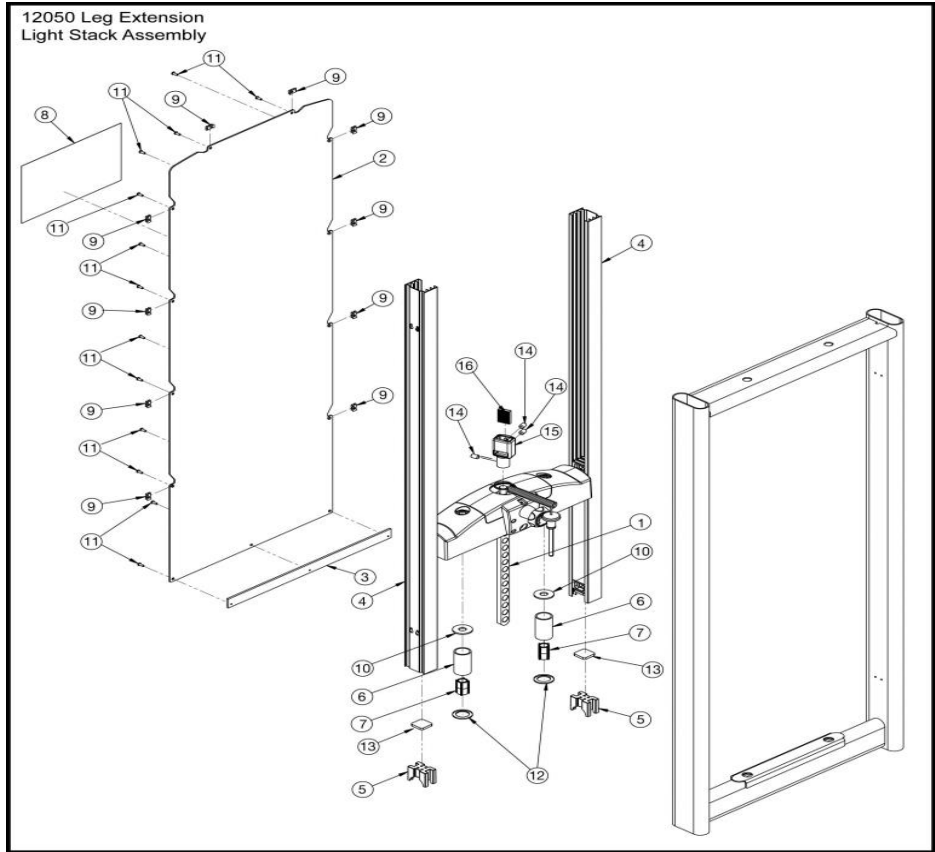
Ref #	Part Number	Qty	Description
1	11040-006	1	TOP WEIGHT ASSY 10
2	12000-375	2	PANEL INSERT
3	12000-378	1	SUPPORT
4	12000-387	2	EXTRUSION INC WT CHANNEL
5	12102-330	2	INSERT INCREMENT WEIGHT
6	3900-441	1	DECAL CYBEX VER BLACK
7	HF579000	10	PANEL FASTENER 10-24 U TYPE
8	HX570412	13	BHSCS 10-24 X .50 SS
9	11040-409	2	BUMPER
10	HY740000	2	SET SCREW
11	11040-216	1	P BELT CLAMP
12	11040-301	1	INSERT CLAMP BLOCK

12050 Leg Pad Assembly



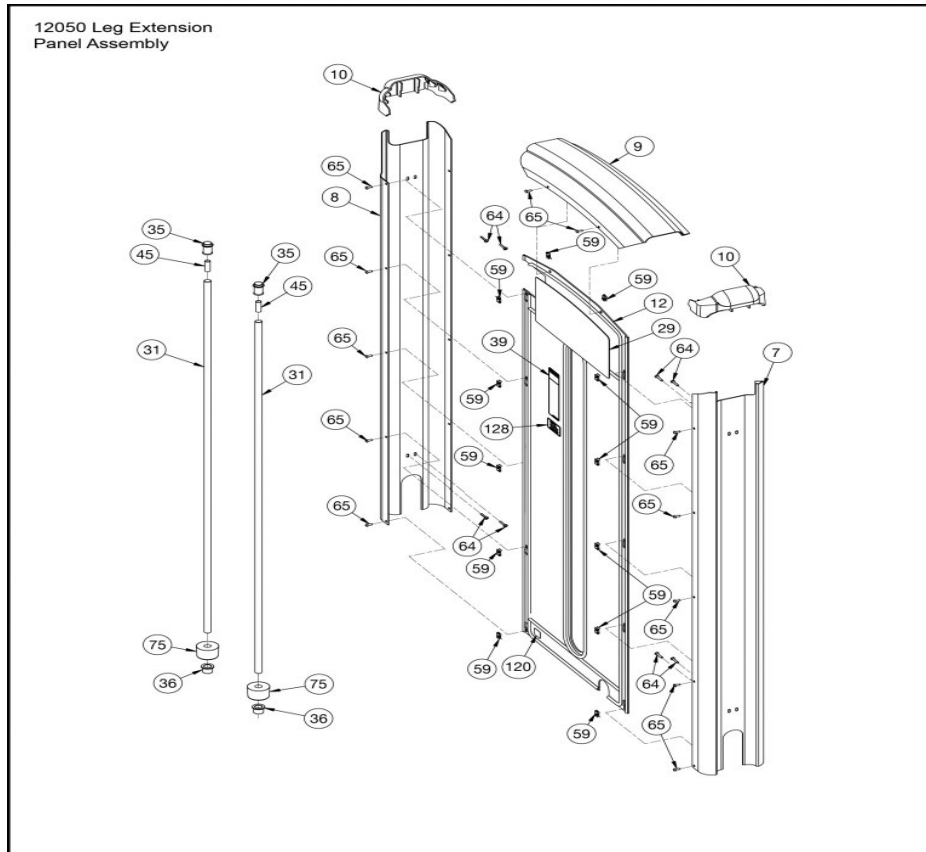
Ref #	Part Number	Qty	Description
2	11040-440	1	KNOB
15	12050-202	1	W CUSHION BAR Custom
16	12050-216	1	W INPUT ARM Custom
21	12050-343	1	WASHER
22	12050-355	1	DECAL ROTATION
34	12101-300	1	SPACER
40	4605-511	1	INSERT PLASTIC 5.94
52	HC622815	2	SHCS .250-20 X .750
57	HC700430	2	BHSCS .375-16 X 2.50
63	HP707017	1	STUD .375-16 X 1.00
69	JC780417	1	BHSCS .500-13 X 1.00
70	JS347400	2	LOCKWASHER INT TOOTH .375
73	PP130003	2	INSERT PLASTIC
76	PR069400	2	BUMPER RECESS
108	4800-006	2	COVERED CUSHION SA CONTOUR 20 Custom
109	4800-093	1	WEAR COVER SA 4.5 X 20 Custom

12050 Light Stack Assembly



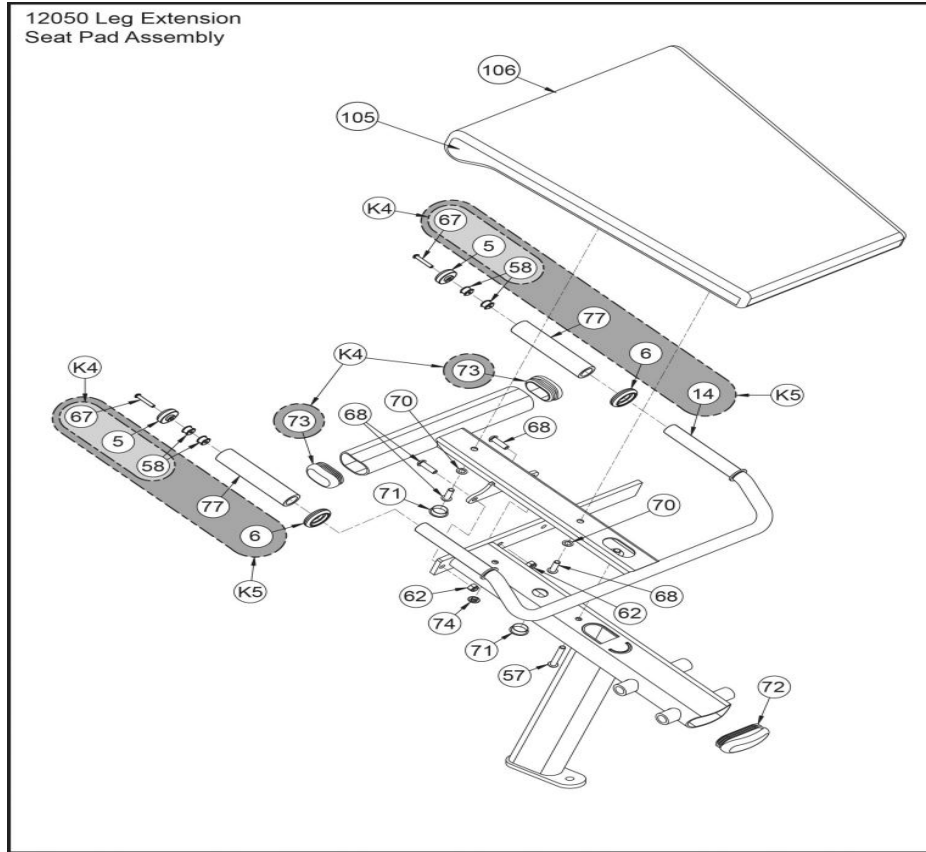
Ref #	Part Number	Qty	Description
1	11040-007	1	TOP WEIGHT ASSY 15
2	12000-375	1	PANEL INSERT
3	12000-378	1	SUPPORT
4	12000-387	2	EXTRUSION INC WT CHANNEL
5	12102-330	2	INSERT INCREMENT WEIGHT
6	12210-351	2	TUBE SPACER
7	12210-352	2	INSERT PLASTIC
8	3900-441	1	DECAL CYBEX VER BLACK
9	HF579000	10	PANEL FASTENER 10-24 U TYPE
10	HS760106	2	WASH FLAT 1.750 .688 .140 T
11	HX570412	13	BHSCS 10-24 X .50 SS
12	JS497600	2	WASHER 1.19 ID X 1.75 OD X .12 THK
13	11040-409	2	BUMPER
14	HY740000	2	SET SCREW
15	11040-216	1	P BELT CLAMP
16	11040-301	1	INSERT CLAMP BLOCK

12050 Panel Assembly



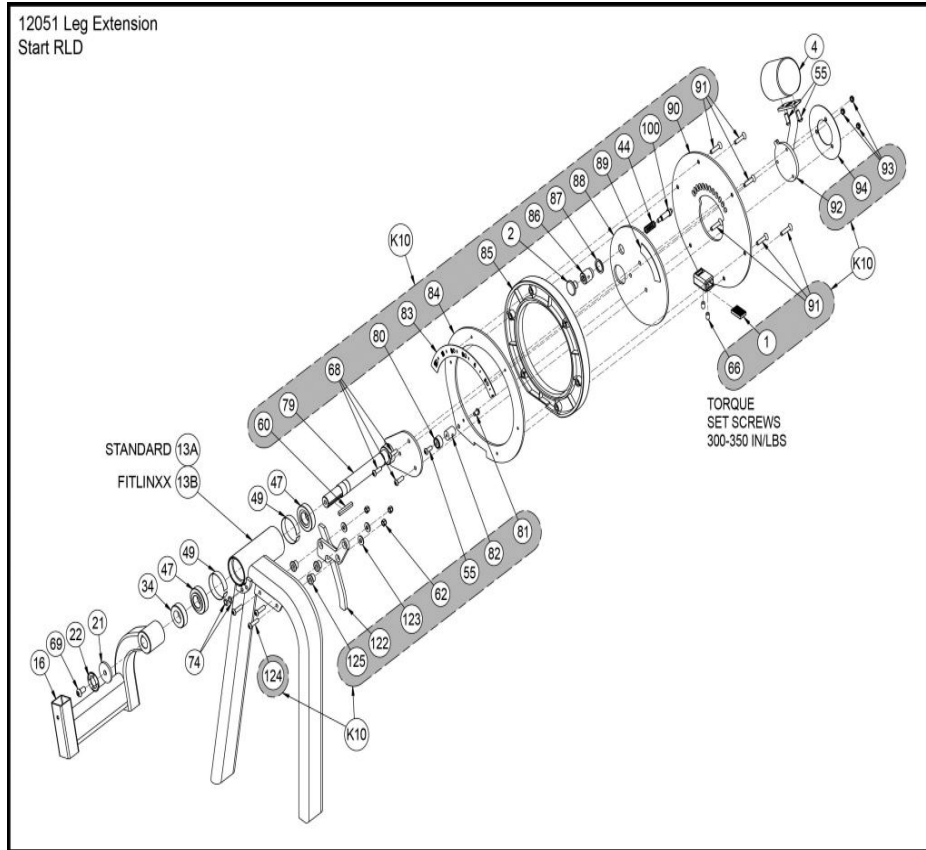
Ref #	Part Number	Qty	Description
7	12000-392	1	CHANNEL INCREMENT WEIGHT
8	12000-394	1	CHANNEL INCREMENT WEIGHT
9	12000-395	1	CAP TOP
10	12000-396	2	END CAP
12	12000-406	1	PANEL INSERT
29	12050-598	1	Placard VR3 Leg Ext
31	12060-350	2	WT ROD .625 DIA X 54.63
35	12210-347	2	CAP GUIDE ROD
36	12210-348	2	CAP GUIDE ROD
39	DE000001	1	Decal Warning Custom
45	BS070208	2	COMP SPRING .396 ID X .480 OD X 1.50 LG
59	HF579000	12	PANEL FASTENER 10-24 U TYPE
64	HT512517	8	TAP SC 10-24 X 1.00 TYPE WB PN HD PHIL BLK
65	HX570412	12	BHSCS 10-24 X .50 SS
75	PR060005	2	BUMPER WEIGHT
120	11040-790	1	NLA: DECAL, MADE IN THE USA
128	DE000005	1	Decal Caution Custom

12050 Seat Pad Assembly



Ref #	Part Number	Qty	Description
K4	11090K006	2	KIT HANDLE TRIM RING
K5	12050K006	2	KIT, VR3 LEG EXTENSION HANDLE Custom
5	11090-374	2	END CAP
6	11090-376	2	RING HANDLE GRIP
14	12050-201	1	NLA: W SEAT MOUNT
57	HC700430	1	BHSCS .375-16 X 2.50
58	HF449063	4	INSERT 3-4X1-4-20 CONNECTOR
62	HN704901	2	LOCKNUT .375-16 NYLON
67	JC620422	2	BHSCS .250-20 X 1.50
68	JC700420	4	BHSCS .375-16 X 1.25
70	JS347400	2	LOCKWASHER INT TOOTH .375
71	PN660200	2	INSERT PLASTIC 1.00 DIA-11 GA
72	PP130002	1	INSERT DOMED PLASTIC
73	PP130003	2	INSERT PLASTIC
74	PP660006	1	PLUG SNAP IN
77	4605-507	2	GRAB GRIP 6.50
105	4800-131	1	SEAT PAD Custom
106	4800-134	1	WEAR COVER Custom

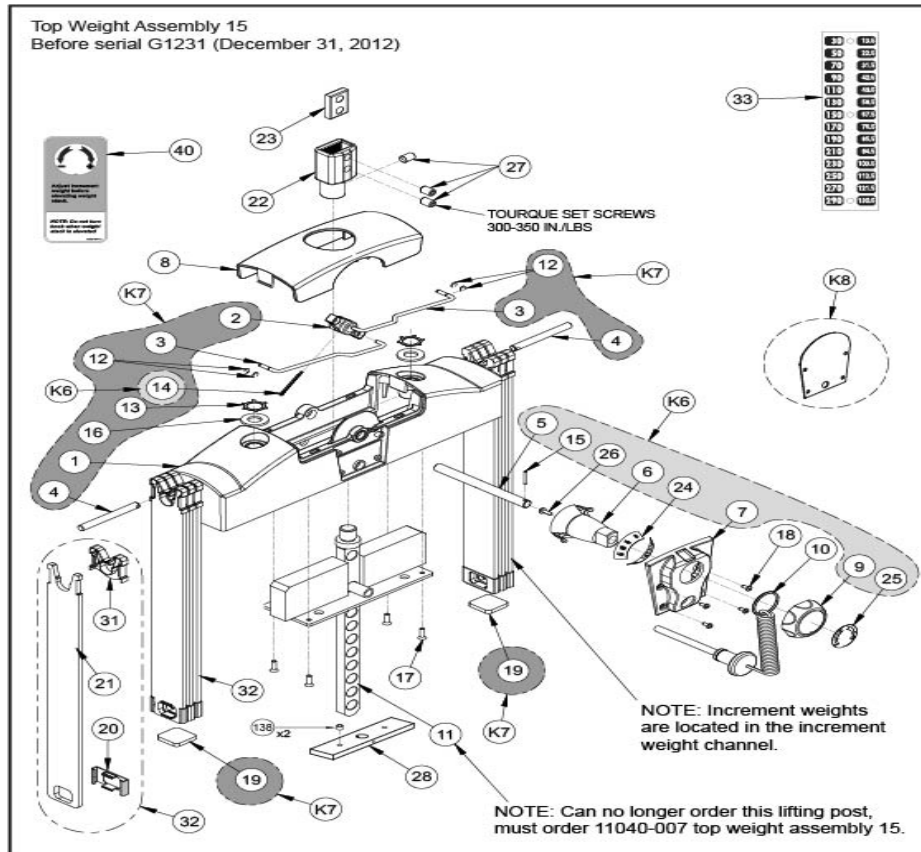
12051_Start_RLD



Ref #	Part Number	Qty	Description
1	11040-301	1	INSERT CLAMP BLOCK
2	11040-440	1	KNOB
4	11050-400	2	COUNTERWEIGHT 3.87
K10	12050K002	5	KIT NON TO START RLD
13A	12050-200	1	W MAIN FRAME Custom
13B	12058-200	1	W MAIN FRAME Custom
16	12050-216	1	W INPUT ARM Custom
21	12050-343	1	WASHER
22	12050-355	1	DECAL ROTATION
34	12101-300	1	SPACER
44	BS070201	1	COM SPRING .56 ID X .66 OD X 1.50 LG
47	FB030249	2	BEARING RADIAL 35MM EXT RACE
49	FC030009	2	TOLERANCE RING 72MM
55	HC700417	5	BHSCS .375-16 X 1.00
60	HH320030	1	KEY .313 SQ X 2.50
66	HY740000	1	SET SCREW
68	JC700420	3	BHSCS .375-16 X 1.25
69	JC780417	1	BHSCS .500-13 X 1.00
74	PP660006	2	PLUG SNAP IN
79	12060-201	1	W PIVOT SHAFT
80	FB030239	1	CAM FOLLOWER 10 MM
81	HC700414	1	BHSCS .375-16 X .62

Ref #	Part Number	Qty	Description
82	12050-345	1	MOUNT CAM FOLLOWER
83	12050-354	2	DECAL ADJUSTMENT
84	12050-351	1	PLATE DECAL CAM
85	11050-333	1	CAM
86	11050-407	1	RETAINER
87	11050-408	1	SPACER
88	12050-342	1	PLATE ECCENTRIC
89	12050-377	1	DECAL START RLD Custom
90	12050-204	1	W CAM PLATE
91	JC700924	6	FHSCS .375-16 X 1.75
92	12050-209	1	W COUNTERWEIGHT MOUNT Custom
93	HN704902	3	LOCKNUT NYLON .375-16
94	12102-339	1	STOP GUARD
100	08229	1	P PIN DETENT
122	12050-214	1	BRACKET MOUNTING
123	HS347700	1	WASHER USS .375
124	JC700422	1	BHSCS .375-16 X 1.50
125	PR740300	1	MOUNT CENTER BONDED

15_Top_weight_assembly_Before_G1231



Ref #	Part Number	Qty	Description
1	11040-366	1	TOP WEIGHT ASSEMBLY MOLDED
2	11040-367	1	HUB MOLDED
3	11040-369	2	ROD LINKAGE
4	11040-370	2	PIN
5	11040-427	1	ROD
6	11040-426	1	STEM
K6	11040K009	2	KIT INCREMENT WEIGHT KNOB
K7	11040K010	3	Kit Top Weight Hardware
7	11040-424	1	COVER PLATE
8	11040-416	1	COVER TOP WEIGHT
K8	11040K007	1	KIT NON-INCREMENTAL TOP WEIGHT
9	11040-425	1	KNOB
10	BH030207	2	PIN WEIGHT SELECTOR
11	4700-251	1	NLA: C LIFTING POST 15
12	BR030209	4	RETAINING RING .188
13	BR030220	1	RETAINING RING 1.250 INTERNAL
14	HP016820	1	COTTER PIN .125 X 1.25
15	HP266765	1	ROLL PIN .125 X .938
16	HS720004	1	WASHER FELT .641 ID X 1.250 OD X .125 T
17	HT562715	1	TAP SC NO 10 X .750 F PHIL
18	HT582510	2	TAP SC NO 10 X .375 PN HD PHIL
19	11040-409	2	BUMPER

Ref #	Part Number	Qty	Description
20	11040-572	1	GUARD INCREMENT WEIGHT
21	11040-577	1	NLA, order 11040-030
22	11040-216	1	P BELT CLAMP
23	11040-301	1	INSERT CLAMP BLOCK
24	11040-428	1	DECAL ADJUSTMENT
25	20000-429	1	ROTATION DECAL
26	HT552512	1	TAP SC NO. 8-16 X .50 PLASTITE PAN HEAD PHILLIPS BLACK
27	HY740000	2	SET SCREW
28	4000C101	1	C STACK WT 4X18
29	12050-007	1	WT PAC 11 4X18 BLACK
30	4701-013	1	WT PAC 14 4 X 18 BLACK
31	11040-578	1	GUARD, INCREMENT WEIGHT
32	11040-030	2	INCREMENT WEIGHT S/A
33	12000-560	1	DECAL WT PLATE (30-290)
40	11000-407	1	Decal Increment Weight
138	FB130216	1	Bushing Weight Stack

