

VR3 SEATED LEG CURL NON RLD

12060-02

Parts Manual

1/5/2019 2:18:44 AM



Table of Contents

[VR3 Planet Fitness Custom \(New Style\).....](#)3

[VR3 Planet Fitness Custom \(Old Style\).....](#)4

[VR3 You Fit Custom.....](#)5

[VR3 - Snap Fitness.....](#)6

[VR3 - 10 Top Weight Assembly After H0101.....](#)7

[12060 Back Pad Assembly.....](#)9

[12060 Belt Routing.....](#)11

[12060 Frame Assembly.....](#)12

[12060 Heavy Stack Assembly.....](#)13

[12060 Leg Pad Assembly Non RLD.....](#)14

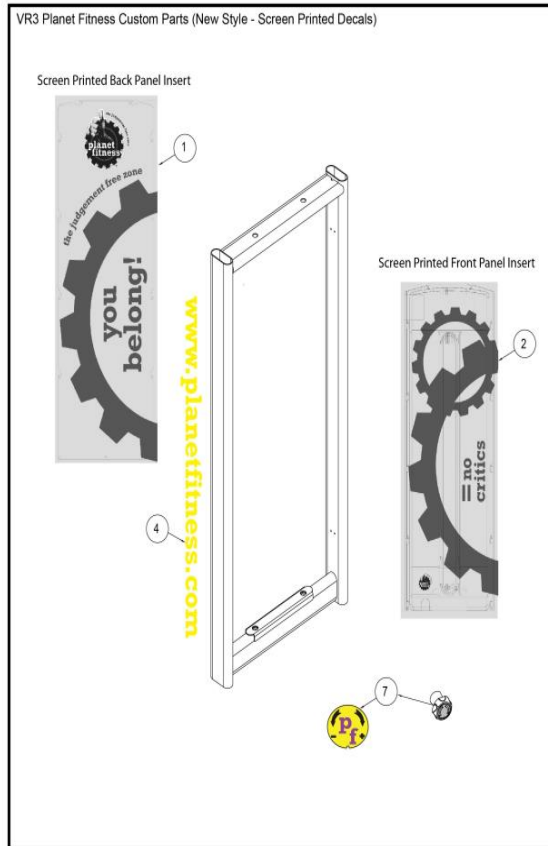
[12060 Light Stack Assembly.....](#)16

[12060 Panel Assembly.....](#)17

[12060 Parts Not Shown.....](#)18

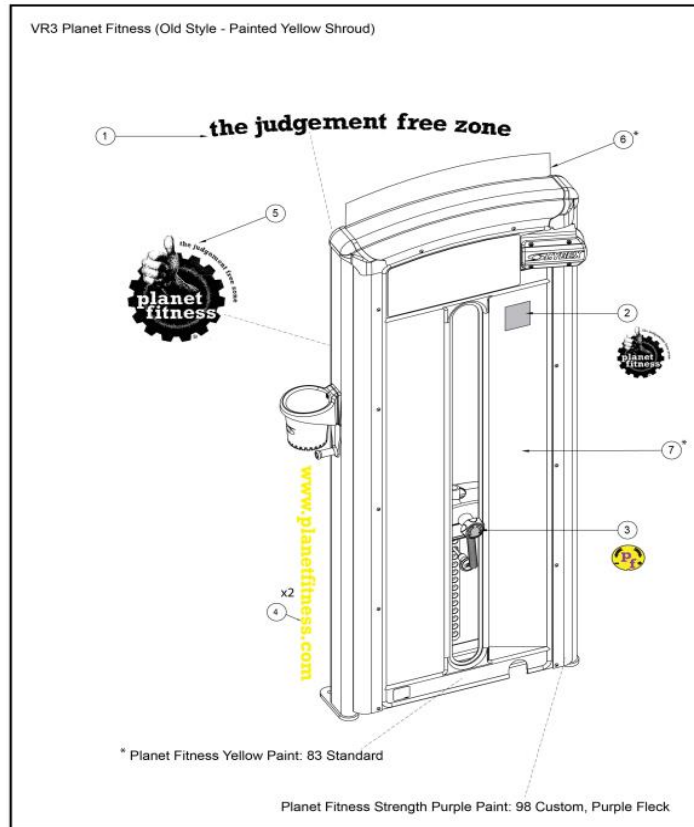
[12060 Seat Pad Assembly.....](#)19

VR3 Planet Fitness Custom (New Style)



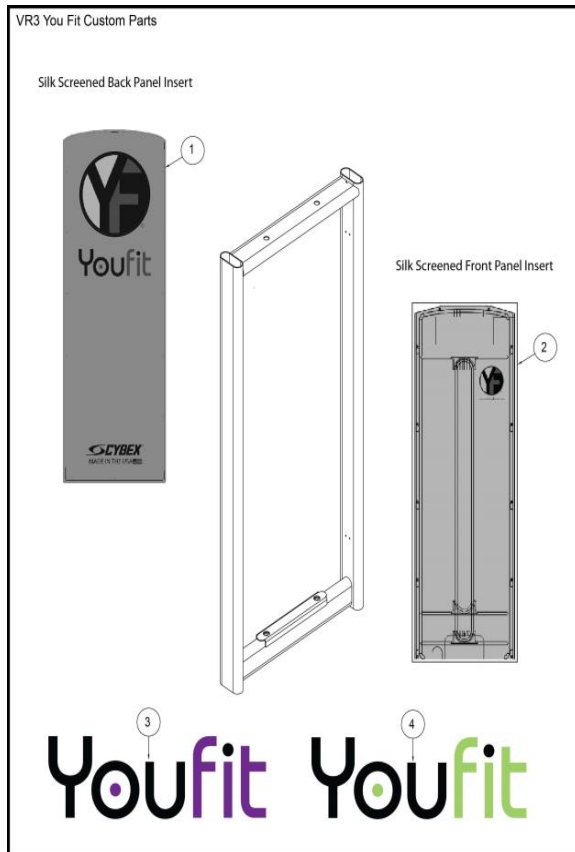
Ref #	Part Number	Qty	Description
1	12000-375P	1	BACK PANEL INSERT, PLANET FITNESS
2	12000-399P	1	Panel insert, Planet Fitness
4	DE-60251	1	WWW.PLANETFITNESS.COM DECAL (YELLOW)
7	DE-60231	1	DECAL ROTATION PLANET FITNESS

VR3 Planet Fitness Custom (Old Style) □



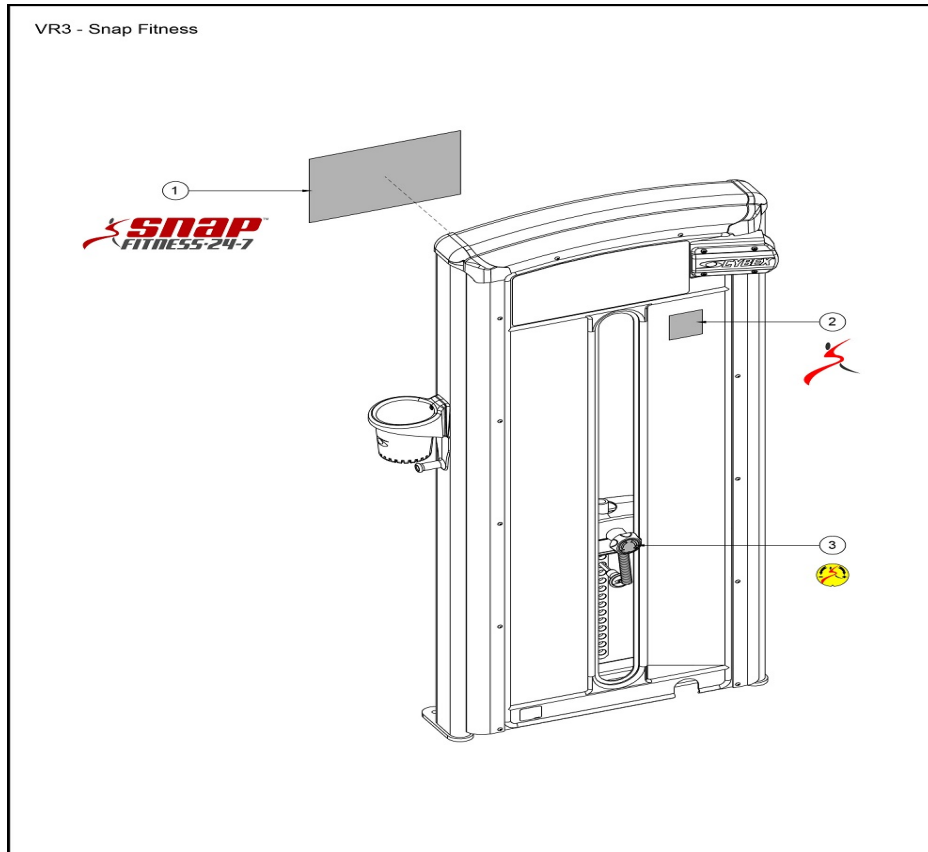
Ref #	Part Number	Qty	Description
1	DE-60232	1	DECAL JUDGEMENT FREE ZONE
2	DE-60233	1	DECAL THUMBS UP 3 INCH PLANET FITNESS
3	DE-60231	1	DECAL ROTATION PLANET FITNESS
4	DE-60251	1	WWW.PLANETFITNESS.COM DECAL (YELLOW)
5	DE-60235	1	DECAL THUMBS UP 13 INCH PLANET FITNESS
6	12000-375Y	1	BACK PANEL INSERT YELLOW
7	12000-399Y	1	PANEL INSERT YELLOW

VR3 You Fit Custom



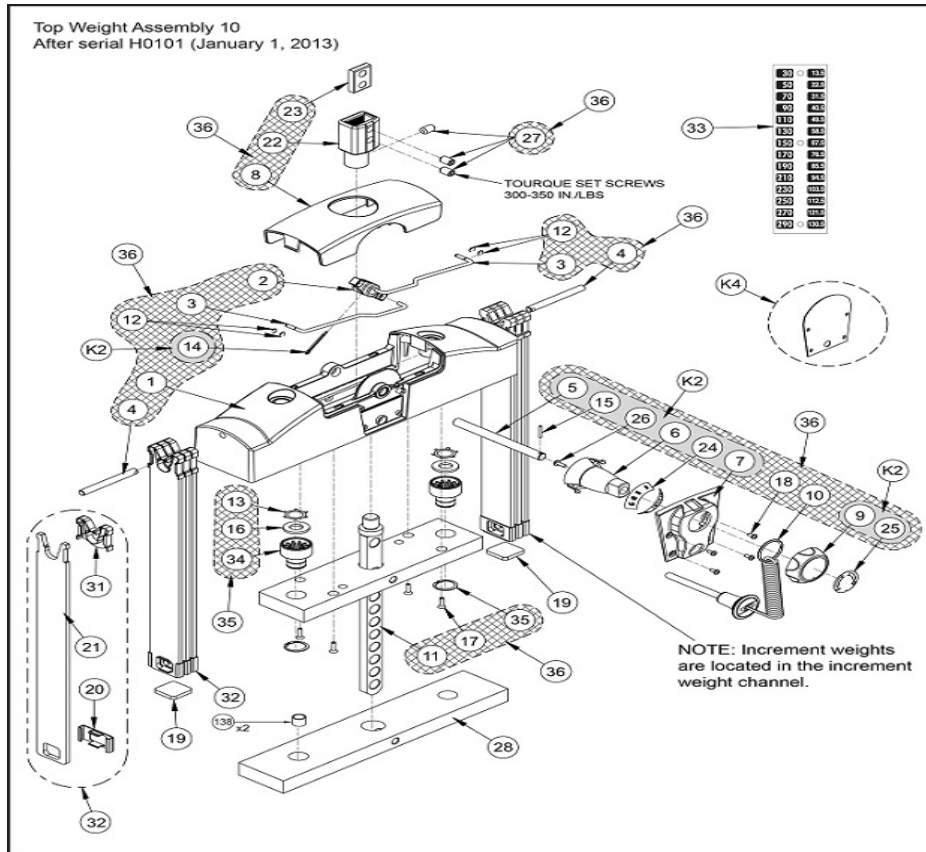
Ref #	Part Number	Qty	Description
1B	12000-375YG	1	BACK PANEL INSERT, YOUFIT GREEN
1C	12000-375PY	1	BACK PANEL INSERT, YOUFIT PURPLE
1A	12000-375GY	1	BACK PANEL INSERT, YOUFIT GREEN
1D	12000-375YP	1	BACK PANEL INSERT, YOUFIT PURPLE
2B	12000-399YP	1	PANEL INSERT, YOUFIT PURPLE
2A	12000-399GY	1	PANEL INSERT, YOUFIT GREEN
3	DE-60274	1	DECAL, YOUFIT PURPLE
4	DE-60275	1	DECAL, YOUFIT GREEN

VR3 - Snap Fitness



Ref #	Part Number	Qty	Description
1	12000-422	1	Decal Snap Fitness Logo 13.00
2	12000-423	1	DECAL SNAP FITNESS RUNNING MAN 3.00
3	12000-424	1	Decal Snap Fitness Rotation

VR3 - 10 Top Weight Assembly After H0101

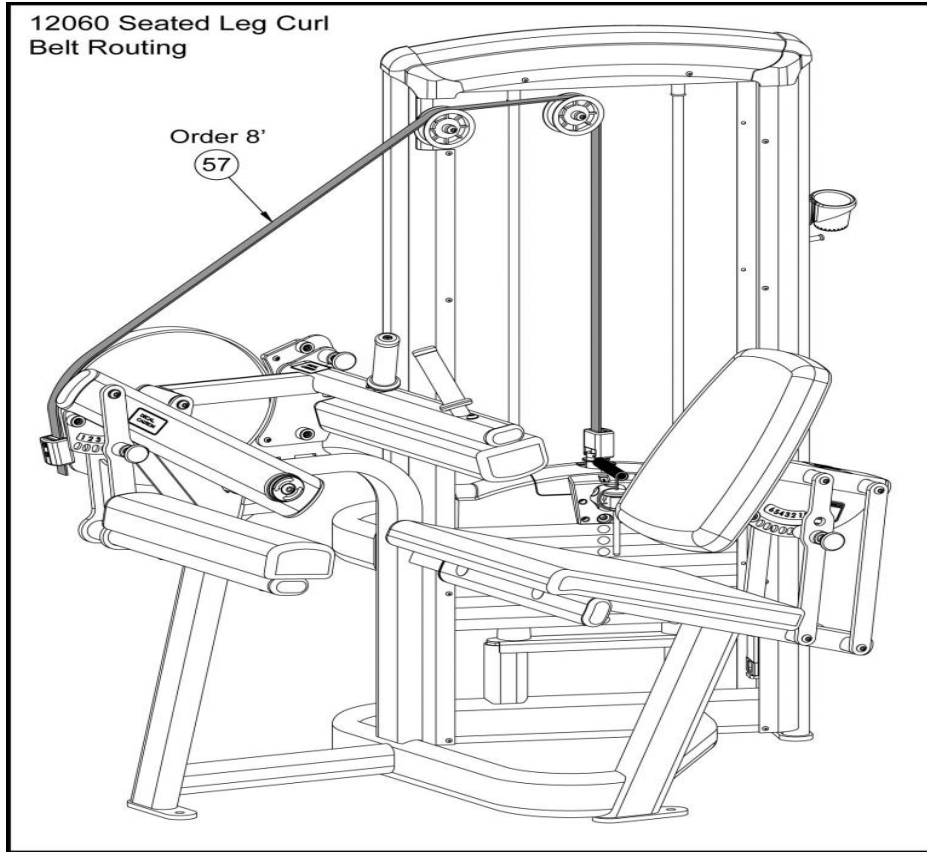


Ref #	Part Number	Qty	Description
1	11040-366	1	TOP WEIGHT ASSEMBLY MOLDED
1	08229	1	P PIN DETENT
2	11040-367	1	HUB MOLDED
2,23	11040-301	2	INSERT CLAMP BLOCK
3	11040-369	2	ROD LINKAGE
K3	11090K006	1	KIT HANDLE TRIM RING
3	11040-440	1	KNOB
4	11040-370	2	PIN
5	11090-374	1	END CAP
5	11040-427	1	ROD
K6	11040K009	2	KIT INCREMENT WEIGHT KNOB
6	11040-426	1	STEM
6	11090-376	2	RING HANDLE GRIP
K7	11040K010	3	Kit Top Weight Hardware
7	11100-363	1	C/COUNTERWEIGHT
7	11040-424	1	COVER PLATE
K8	11040K007	1	KIT NON-INCREMENTAL TOP WEIGHT
8	11040-416	1	COVER TOP WEIGHT
9	11040-425	1	KNOB
10	BH030207	2	PIN WEIGHT SELECTOR
11	4700-251	1	NLA: C LIFTING POST 15
12	BR030209	4	RETAINING RING .188

Ref #	Part Number	Qty	Description
13	BR030220	1	RETAINING RING 1.250 INTERNAL
14	HP016820	1	COTTER PIN .125 X 1.25
15	HP266765	1	ROLL PIN .125 X .938
16	HS720004	1	WASHER FELT .641 ID X 1.250 OD X .125 T
17	HT562715	1	TAP SC NO 10 X .750 F PHIL
18	HT582510	2	TAP SC NO 10 X .375 PN HD PHIL
19	11040-409	2	BUMPER
20	11040-572	1	GUARD INCREMENT WEIGHT
21,32	11040-030	3	INCREMENT WEIGHT S/A
22	11040-216	1	P BELT CLAMP
24A	12060-200	1	W MAIN FRAME Custom
24	11040-428	1	DECAL ADJUSTMENT
24B	12068-200	1	W MAIN FRAME Custom
25	12060-206	1	W CUSHION PIVOT Custom
25	20000-429	1	ROTATION DECAL
26	HT552512	1	TAP SC NO. 8-16 X .50 PLASTITE PAN HEAD PHILLIPS BLACK
26	12060-209	1	W CAM Custom
27,73	HY740000	4	SET SCREW
27	12060-210	1	W CAM STOP Custom
28	4000C101	1	C STACK WT 4X18
29	12050-007	1	WT PAC 11 4X18 BLACK
30	4701-013	1	WT PAC 14 4 X 18 BLACK
30	12060-315	1	P DETENT PLATE
31	11040-578	1	GUARD, INCREMENT WEIGHT
33	12000-560	1	DECAL WT PLATE (30-290)
34	12060-347	1	PIN PIVOT
39	12100-303	2	BUMPER
40	12101-300	1	SPACER
40	11000-407	1	Decal Increment Weight
49	8500-025	1	DECAL CAUTION Custom
50	BS070201	1	COM SPRING .56 ID X .66 OD X 1.50 LG
53	FB030249	2	BEARING RADIAL 35MM EXT RACE
55	FB130212	2	BUSHING FLANGE FOOTPLATE.75ID
56	FC030009	2	TOLERANCE RING 72MM
59	HC620417	2	BHSCS .250-20 X 1.00
60	HC622820	2	SHCS .250-20 X 1.25
62	HC700417	5	BHSCS .375-16 X 1.00
64	HC700430	2	BHSCS .375-16 X 2.50
65	HF449063	1	INSERT 3-4X1-4-20 CONNECTOR
67	HH320030	1	KEY .313 SQ X 2.50
68	HN625200	4	LOCKNUT .250-20 NYLON HVY
69	HN704901	3	LOCKNUT .375-16 NYLON
70	HS347600	2	WASHER SAE .375
74	JC620422	1	BHSCS .250-20 X 1.50
75	JC700412	2	BHSCS .375-16 X .50
78	JS347400	2	LOCKWASHER INT TOOTH .375
81	PP130003	1	INSERT PLASTIC
82	PP660006	2	PLUG SNAP IN
84	4605-514	2	GRAB GRIP 4.50
85	PU060201	1	BUMPER
120	4800-196	1	COVERED CUSHION AS CONTOUR 20 Custom
121	4800-199	1	WEAR COVER CS Custom
138	FB130216	1	Bushing Weight Stack

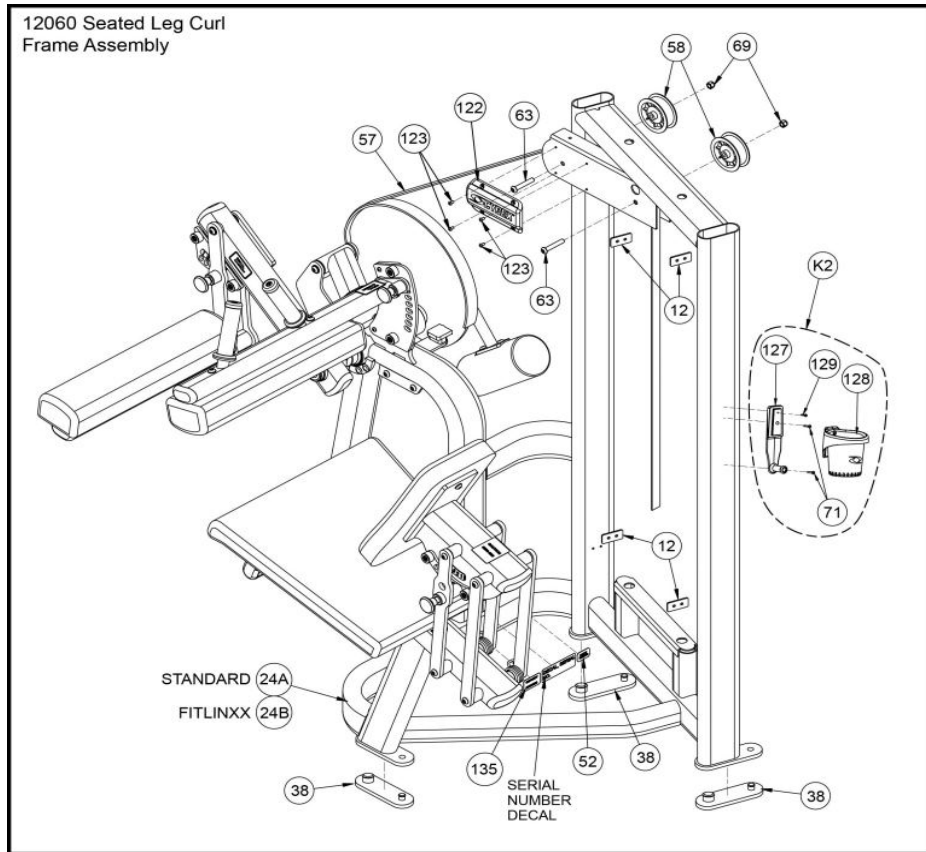
Ref #	Part Number	Qty	Description
78	JS347400	2	LOCKWASHER INT TOOTH .375
80	PP130002	2	INSERT DOMED PLASTIC
94	HN704902	1	LOCKNUT NYLON .375-16
117	4800-176	1	CUSHION SA BACK 18 MOLDED Custom
132	12100-312	1	BUMPER
137	12000-211	1	W DETENT LINK Custom
138	12050-217	1	NLA: W DETENT LINK
139	12000-480	4	PIN, PIVOT
140	HC700415	8	BHSCS .375-16 X .75
141	HS347600	7	WASHER SAE .375
142	12600-305	1	NLA: PIVOT SHAFT

12060 Belt Routing



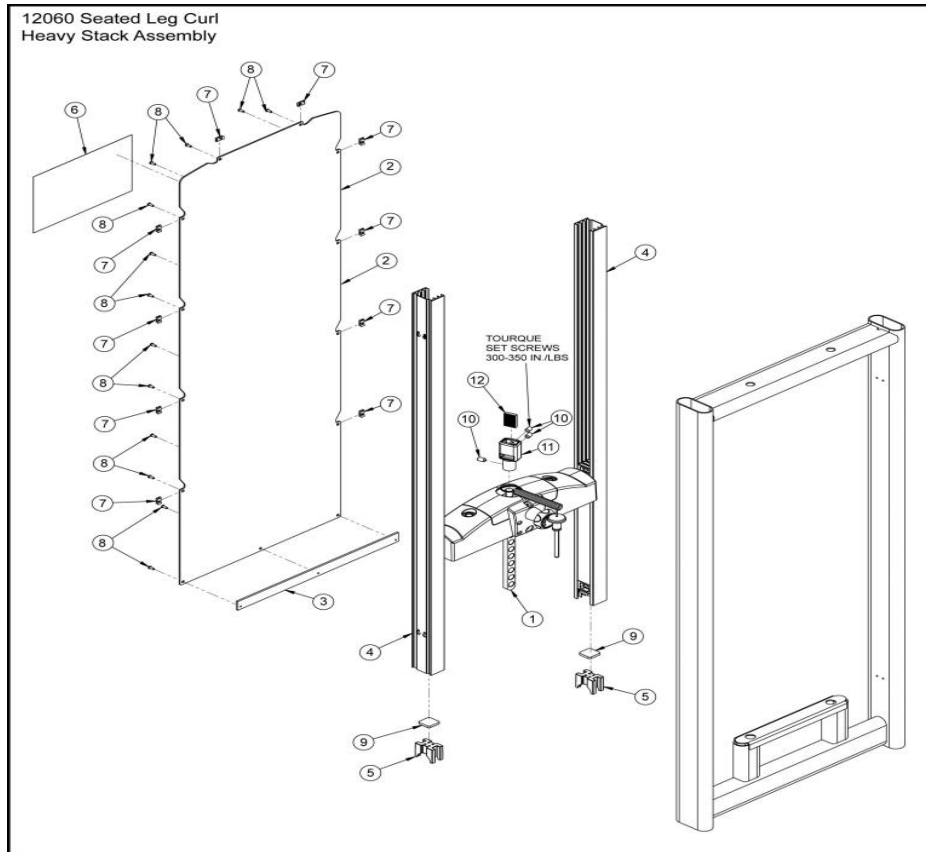
Ref #	Part Number	Qty	Description
57	GB000202	1	BELT .95 WIDE

12060 Frame Assembly



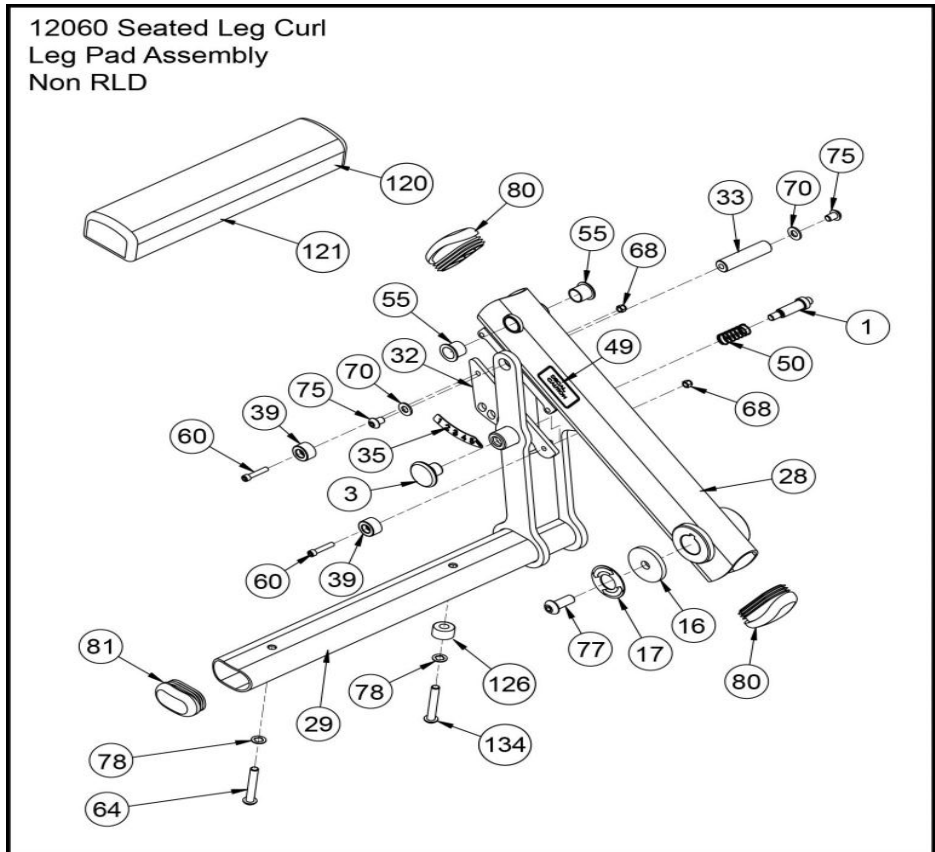
Ref #	Part Number	Qty	Description
K2	12000K017	1	Kit Water Bottle Holder
12	12000-398	4	SPACER
24A	12060-200	1	W MAIN FRAME Custom
24B	12068-200	1	W MAIN FRAME Custom
38	12090-322	3	PAD FOOT
52	CM000211	1	DECAL PATENT
57	GB000202	1	BELT .95 WIDE
58	GP000209	2	PULLEY ASSEMBLY-3.50
63	HC700428	2	BHSCS .375-16 X 2.25
69	HN704901	2	LOCKNUT .375-16 NYLON
71	HT512517	2	TAP SC 10-24 X 1.00 TYPE WB PN HD PHIL BLK
122	12000-466	1	PULLEY COVER
123	HT570410	4	SCREW PNH TORX 10-24X.375 BLACK
127	13000-402	1	Mount Water Bottle Holder
128	13000-400	1	Holder Water Bottle
129	HT552515	1	TAP SC NO. 8-16 X .75 PLASTITE PN HD PHIL BLK
135	DE000005	1	Decal Caution Custom

12060 Heavy Stack Assembly



Ref #	Part Number	Qty	Description
1	11040-006	1	TOP WEIGHT ASSY 10
2	12000-375	2	PANEL INSERT
3	12000-378	1	SUPPORT
4	12000-387	2	EXTRUSION INC WT CHANNEL
5	12102-330	2	INSERT INCREMENT WEIGHT
6	3900-441	1	DECAL CYBEX VER BLACK
7	HF579000	10	PANEL FASTENER 10-24 U TYPE
8	HX570412	11	BHSCS 10-24 X .50 SS
9	11040-409	2	BUMPER
10	HY740000	4	SET SCREW
11	11040-216	1	P BELT CLAMP
12	11040-301	1	INSERT CLAMP BLOCK

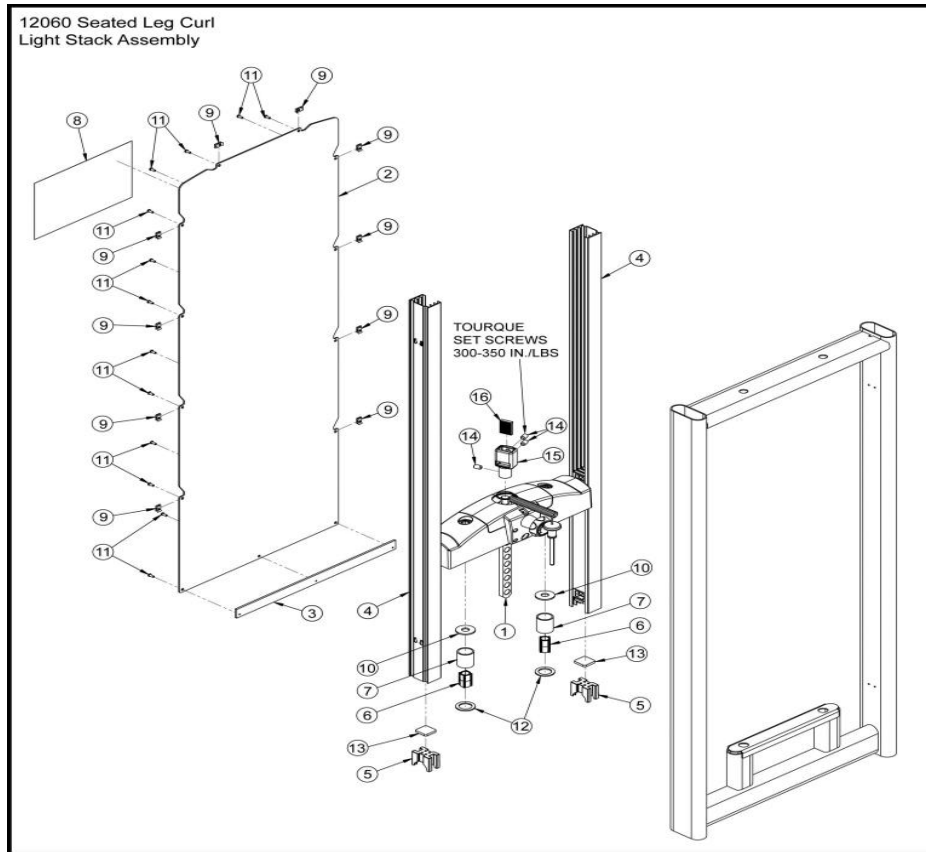
12060 Leg Pad Assembly Non RLD



Ref #	Part Number	Qty	Description
1	08229	1	P PIN DETENT
3	11040-440	2	KNOB
16	12050-343	1	WASHER
17	12050-355	1	DECAL ROTATION
28	12060-211	1	W INPUT ARM Custom
29	12060-212	1	W CUSHION ARM Custom
32	12060-336	1	P DETENT PLATE
33	12060-346	1	PIN PIVOT
35	12060-356	2	DECAL ADJUSTING
39	12100-303	2	BUMPER
49	8500-025	1	DECAL CAUTION Custom
50	BS070201	1	COM SPRING .56 ID X .66 OD X 1.50 LG
55	FB130212	2	BUSHING FLANGE FOOTPLATE.75ID
60	HC622820	2	SHCS .250-20 X 1.25
64	HC700430	1	BHSCS .375-16 X 2.50
68	HN625200	2	LOCKNUT .250-20 NYLON HVY
70	HS347600	2	WASHER SAE .375
75	JC700412	2	BHSCS .375-16 X .50
77	JC780420	1	BHSCS .500-13 X 1.25
78	JS347400	2	LOCKWASHER INT TOOTH .375
80	PP130002	2	INSERT DOMED PLASTIC
81	PP130003	1	INSERT PLASTIC

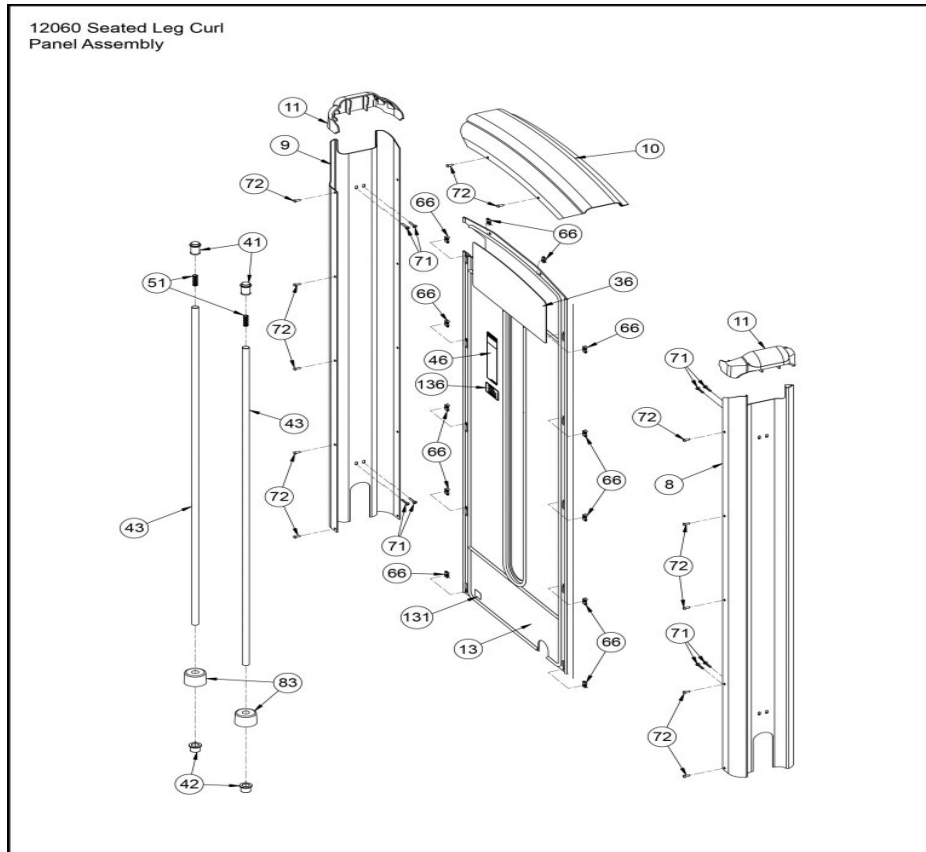
Ref #	Part Number	Qty	Description
120	4800-196	1	COVERED CUSHION AS CONTOUR 20 Custom
121	4800-199	1	WEAR COVER CS Custom
126	PR060003	1	BUMPER RECESS
134	HC700432	1	BHSCS .375-16 X 2.75

12060 Light Stack Assembly



Ref #	Part Number	Qty	Description
1	11040-006	1	TOP WEIGHT ASSY 10
2	12000-375	1	PANEL INSERT
3	12000-378	1	SUPPORT
4	12000-387	2	EXTRUSION INC WT CHANNEL
5	12102-330	2	INSERT INCREMENT WEIGHT
6	12210-352	2	INSERT PLASTIC
7	12210-358	2	TUBE SPACER
8	3900-441	1	DECAL CYBEX VER BLACK
9	HF579000	10	PANEL FASTENER 10-24 U TYPE
10	HS760106	1	WASH FLAT 1.750 .688 .140 T
11	HX570412	8	BHSCS 10-24 X .50 SS
12	JS497600	2	WASHER 1.19 ID X 1.75 OD X .12 THK
13	11040-409	1	BUMPER
14	HY740000	3	SET SCREW
15	11040-216	1	P BELT CLAMP
16	11040-301	1	INSERT CLAMP BLOCK

12060 Panel Assembly



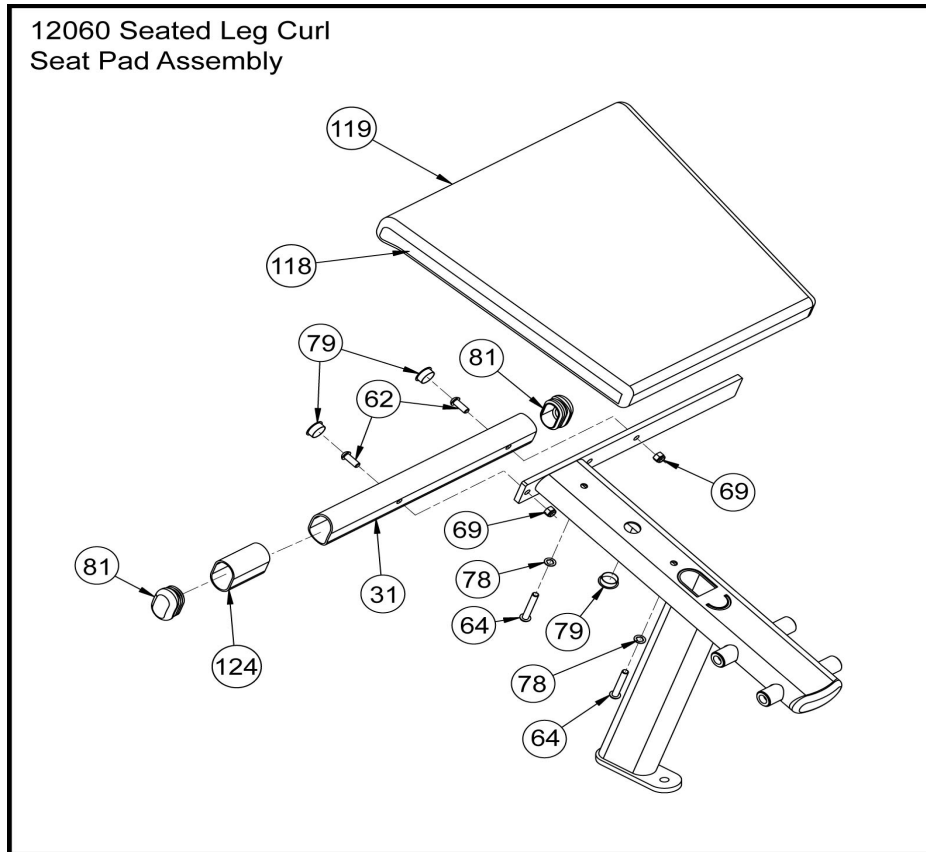
Ref #	Part Number	Qty	Description
8	12000-392	1	CHANNEL INCREMENT WEIGHT
9	12000-394	1	CHANNEL INCREMENT WEIGHT
10	12000-395	1	CAP TOP
11	12000-396	2	END CAP
13	12000-405	1	PANEL INSERT
36	12060-598	1	Placard VR3 Seat Leg C
41	12210-347	2	CAP GUIDE ROD
42	12210-348	2	CAP GUIDE ROD
43	12210-350	2	WT ROD .625 DIA X 49.53
46	DE000001	1	Decal Warning Custom
51	BS070208	2	COMP SPRING .396 ID X .480 OD X 1.50 LG
66	HF579000	12	PANEL FASTENER 10-24 U TYPE
71	HT512517	10	TAP SC 10-24 X 1.00 TYPE WB PN HD PHIL BLK
72	HX570412	10	BHSCS 10-24 X .50 SS
83	PR060005	2	BUMPER WEIGHT
131	11040-790	1	NLA: DECAL, MADE IN THE USA
136	DE000005	1	Decal Caution Custom

12060 Parts Not Shown



Ref #	Part Number	Qty	Description
K7	12000K019	1	Kit Hardware VR3

12060 Seat Pad Assembly



Ref #	Part Number	Qty	Description
31	12060-317	1	TUBE SUPPORT
62	HC700417	2	BHSCS .375-16 X 1.00
64	HC700430	2	BHSCS .375-16 X 2.50
69	HN704901	2	LOCKNUT .375-16 NYLON
78	JS347400	2	LOCKWASHER INT TOOTH .375
79	PN660200	2	INSERT PLASTIC 1.00 DIA-11 GA
81	PP130003	2	INSERT PLASTIC
118	01655	1	COVERED CUSHION SA TPR 20X20 Custom
119	01656	1	COVER SA TPR 20 X 20 Custom
124	12060-362	1	GRIP 2.94 LG X 2.00 OD X 11GA

