

VR3 SEAT LEG CURL NON RLD

12360-01

Parts Manual

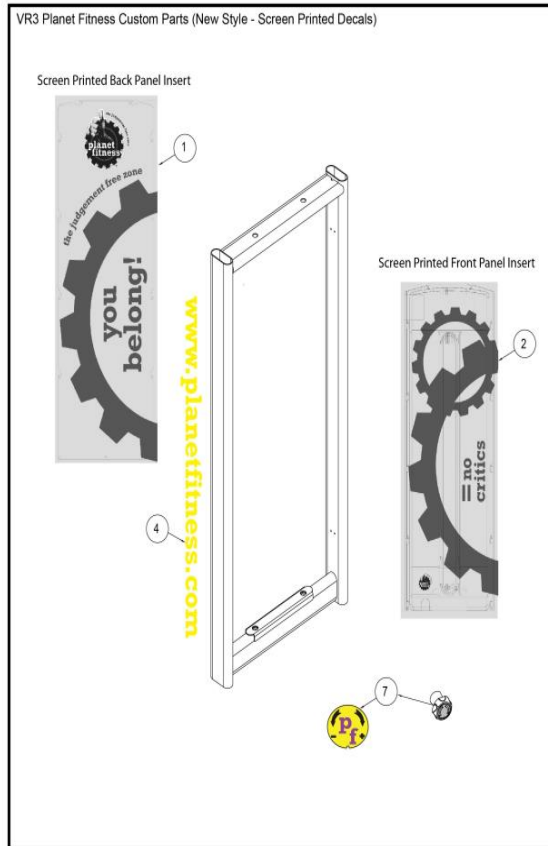
1/5/2019 2:31:34 AM



Table of Contents

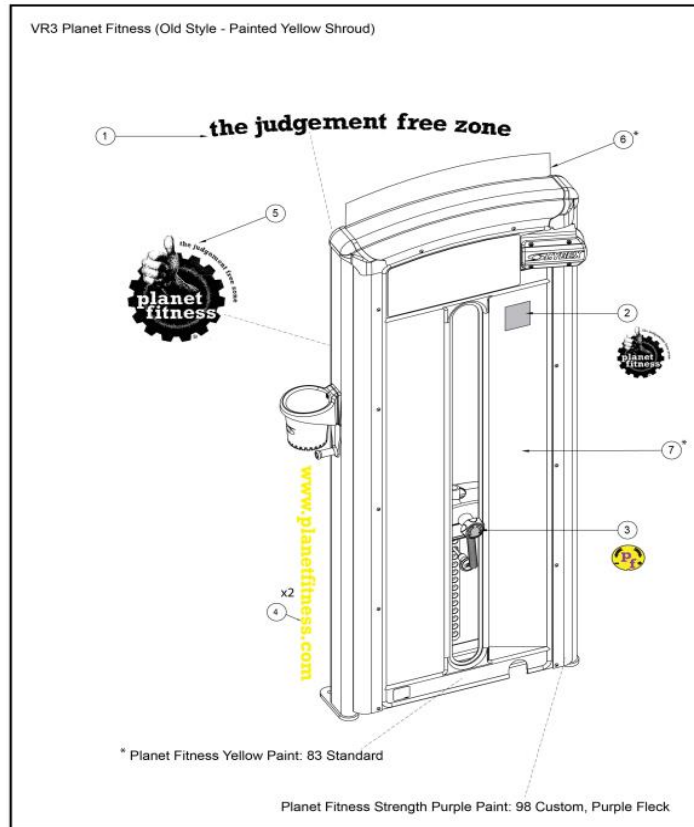
VR3 Planet Fitness Custom (New Style)	3
VR3 Planet Fitness Custom (Old Style) □.....	4
VR3 You Fit Custom □.....	5
VR3 - Snap Fitness	6
VR3 - 10 Hole Graduated Stack Assembly	7
12060 Back Pad Assembly	8
12060 Belt Routing	10
12060 Frame Assembly	11
12060 Heavy Stack Assembly	12
12060 Leg Pad Assembly Non RLD	13
12060 Light Stack Assembly	15
12060 Panel Assembly	16
12060 Parts Not Shown	17
12060 Seat Pad Assembly	18
12060 Thigh Pad Assembly Non RLD	19

VR3 Planet Fitness Custom (New Style)



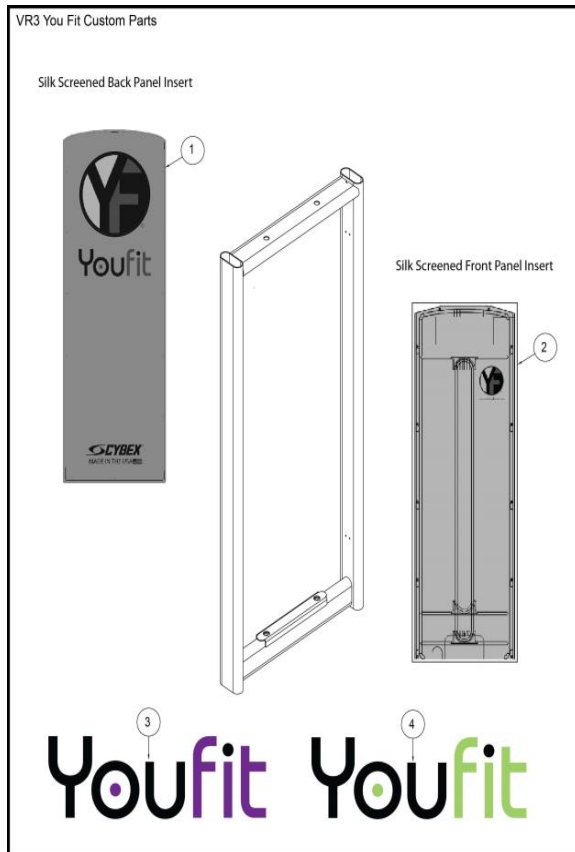
Ref #	Part Number	Qty	Description
1	12000-375P	1	BACK PANEL INSERT, PLANET FITNESS
2	12000-399P	1	Panel insert, Planet Fitness
4	DE-60251	1	WWW.PLANETFITNESS.COM DECAL (YELLOW)
7	DE-60231	1	DECAL ROTATION PLANET FITNESS

VR3 Planet Fitness Custom (Old Style) □



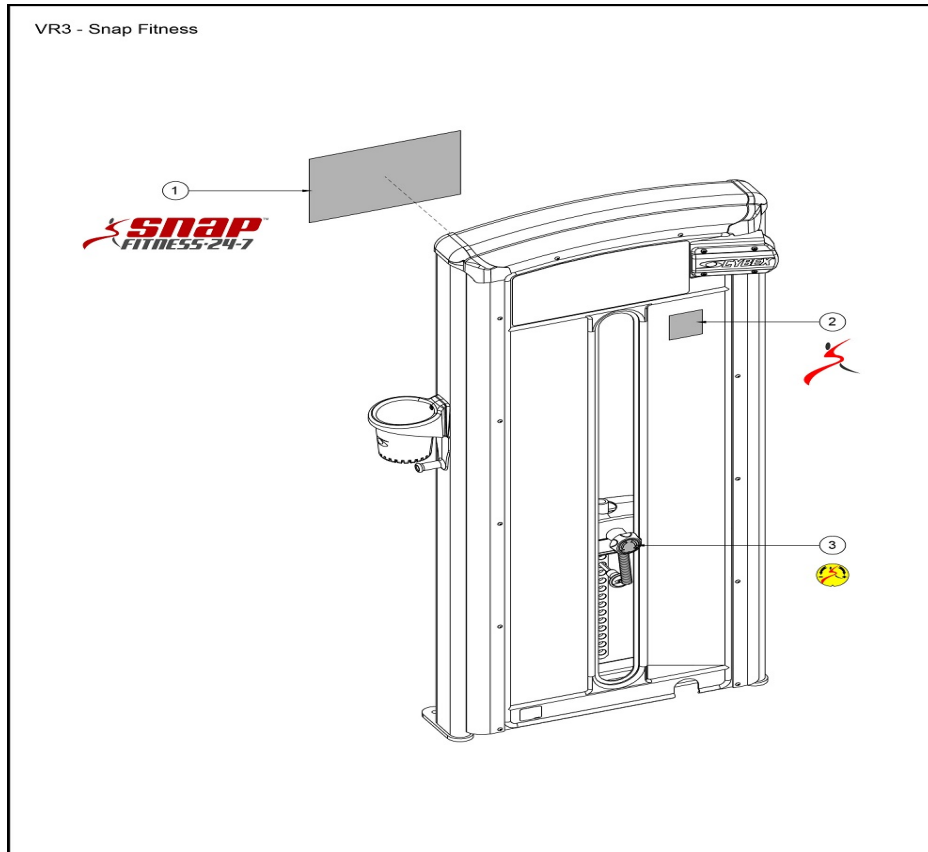
Ref #	Part Number	Qty	Description
1	DE-60232	1	DECAL JUDGEMENT FREE ZONE
2	DE-60233	1	DECAL THUMBS UP 3 INCH PLANET FITNESS
3	DE-60231	1	DECAL ROTATION PLANET FITNESS
4	DE-60251	1	WWW.PLANETFITNESS.COM DECAL (YELLOW)
5	DE-60235	1	DECAL THUMBS UP 13 INCH PLANET FITNESS
6	12000-375Y	1	BACK PANEL INSERT YELLOW
7	12000-399Y	1	PANEL INSERT YELLOW

VR3 You Fit Custom



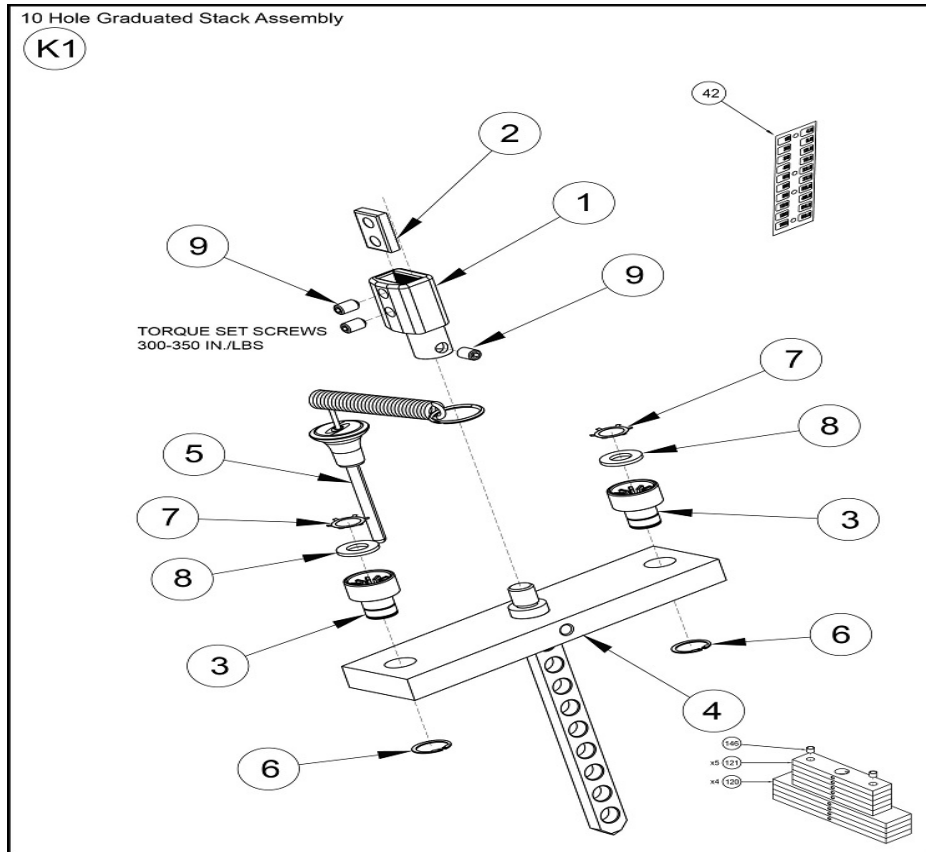
Ref #	Part Number	Qty	Description
1C	12000-375PY	1	BACK PANEL INSERT, YOUFIT PURPLE
1A	12000-375GY	1	BACK PANEL INSERT, YOUFIT GREEN
1D	12000-375YP	1	BACK PANEL INSERT, YOUFIT PURPLE
1B	12000-375YG	1	BACK PANEL INSERT, YOUFIT GREEN
2B	12000-399YP	1	PANEL INSERT, YOUFIT PURPLE
2A	12000-399GY	1	PANEL INSERT, YOUFIT GREEN
3	DE-60274	1	DECAL, YOUFIT PURPLE
4	DE-60275	1	DECAL, YOUFIT GREEN

VR3 - Snap Fitness



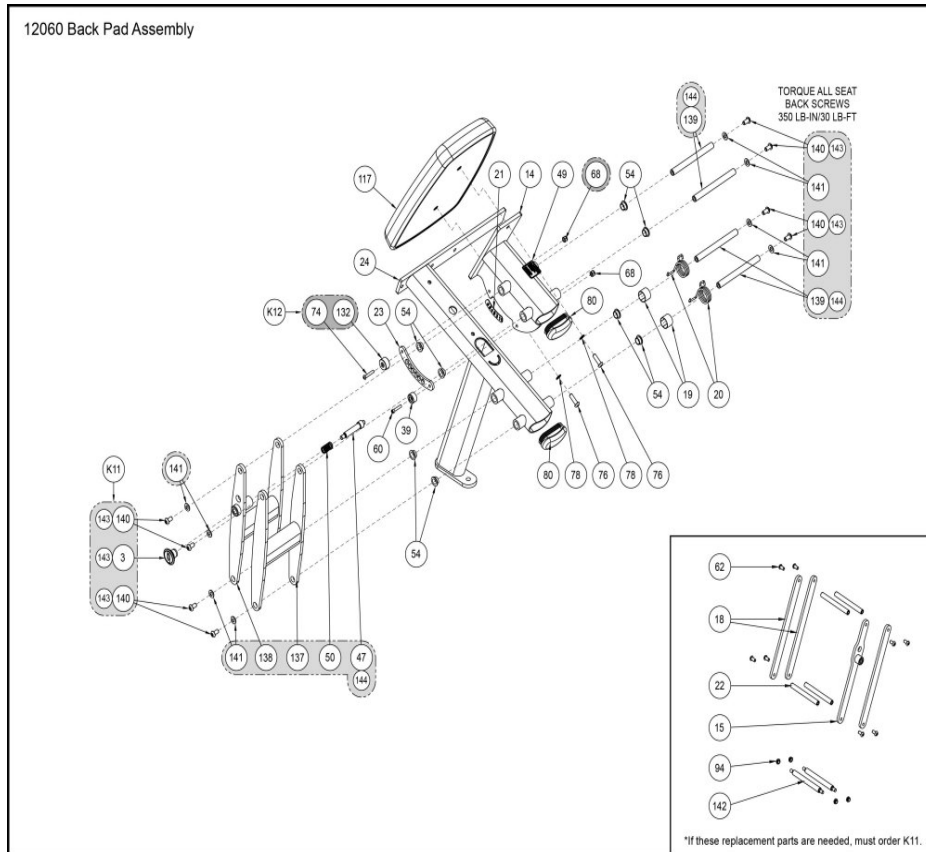
Ref #	Part Number	Qty	Description
1	12000-422	1	Decal Snap Fitness Logo 13.00
2	12000-423	1	DECAL SNAP FITNESS RUNNING MAN 3.00
3	12000-424	1	Decal Snap Fitness Rotation

VR3 - 10 Hole Graduated Stack Assembly



Ref #	Part Number	Qty	Description
K1	12301-006	1	Top Weight Assy 10
1	11040-216	1	P BELT CLAMP
2	11040-301	1	INSERT CLAMP BLOCK
3	13000-364	2	BEARING FLNG .62 ID X .92 OD X 1.75 LG
4	4700-265	1	C Top WT 10-3X12
5	BH030207	1	PIN WEIGHT SELECTOR
6	BR030206	2	RETAINING RING
7	BR030220	2	RETAINING RING 1.250 INTERNAL
8	HS720004	2	WASHER FELT .641 ID X 1.250 OD X .125 T
9	HY740000	3	SET SCREW
42	12301-551	1	DECAL, WT PLATE GRADUATED (10-140)
120	4000C101	4	C STACK WT 4X18
121	4700-337	5	C Stack Weight 10 lbs exact
146	FB130216	2	Bushing Weight Stack

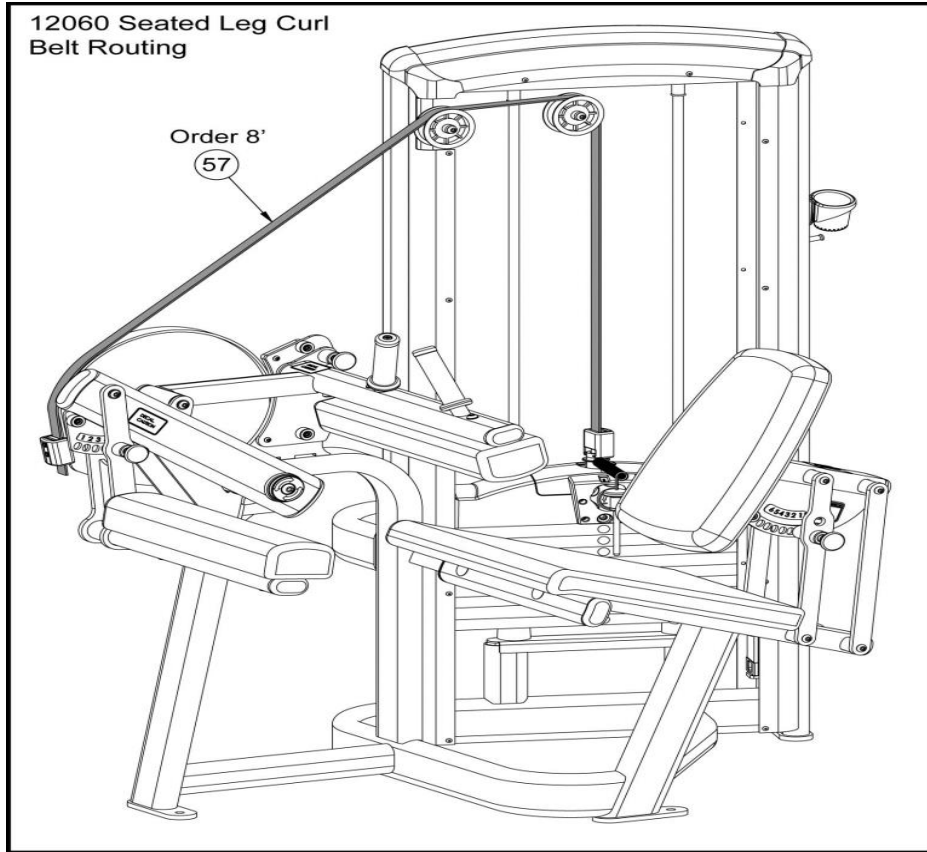
12060 Back Pad Assembly



Ref #	Part Number	Qty	Description
3	11040-440	1	KNOB
K11	12050K009	1	KIT, SEAT BAR LINKAGE Custom
K12	12050K007	1	KIT, BUMPER REPLACEMENT
14	12050-212	2	W SEAT BACK Custom
15	12050-213	1	NLA: W DETENT LINK
18	12050-368	2	NLA: LINK SEAT MOUNT
19	12050-369	2	ENDCAP
20	12050-370	2	SPRING TORSION
21	12050-374	2	DECAL SEAT ADJUST
22	12050-375	1	NLA: PIN PIVOT
23	12050-380	1	P DETENT PLATE
24	12060-200	1	W MAIN FRAME Custom
39	12100-303	1	BUMPER
47	4713-318	1	PIN DETENT
49	8500-025	1	DECAL CAUTION Custom
50	BS070201	1	COM SPRING .56 ID X .66 OD X 1.50 LG
54	FB130205	8	BRG FLG .62 X .75 .38 LG
60	HC622820	1	SHCS .250-20 X 1.25
62	HC700417	1	BHSCS .375-16 X 1.00
68	HN625200	2	LOCKNUT .250-20 NYLON HVY
74	JC620422	1	BHSCS .250-20 X 1.50
76	JC700420	2	BHSCS .375-16 X 1.25

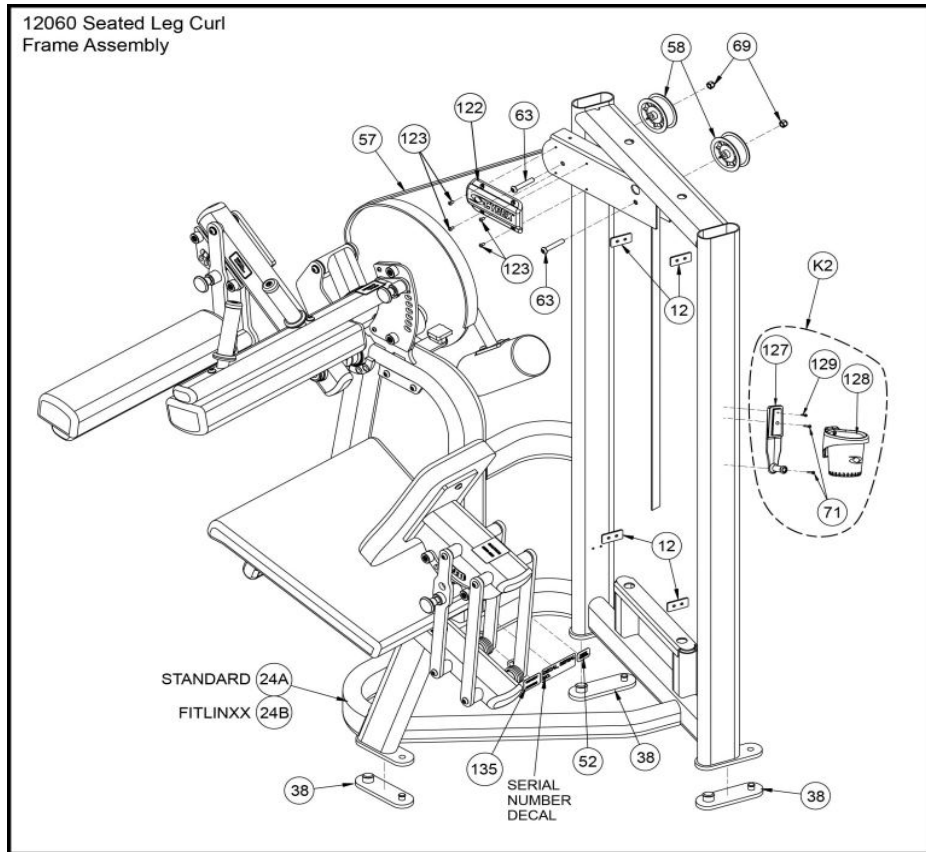
Ref #	Part Number	Qty	Description
78	JS347400	2	LOCKWASHER INT TOOTH .375
80	PP130002	2	INSERT DOMED PLASTIC
94	HN704902	1	LOCKNUT NYLON .375-16
117	4800-176	1	CUSHION SA BACK 18 MOLDED Custom
132	12100-312	1	BUMPER
137	12000-211	1	W DETENT LINK Custom
138	12050-217	1	NLA: W DETENT LINK
139	12000-480	4	PIN, PIVOT
140	HC700415	8	BHSCS .375-16 X .75
141	HS347600	7	WASHER SAE .375
142	12600-305	1	NLA: PIVOT SHAFT

12060 Belt Routing



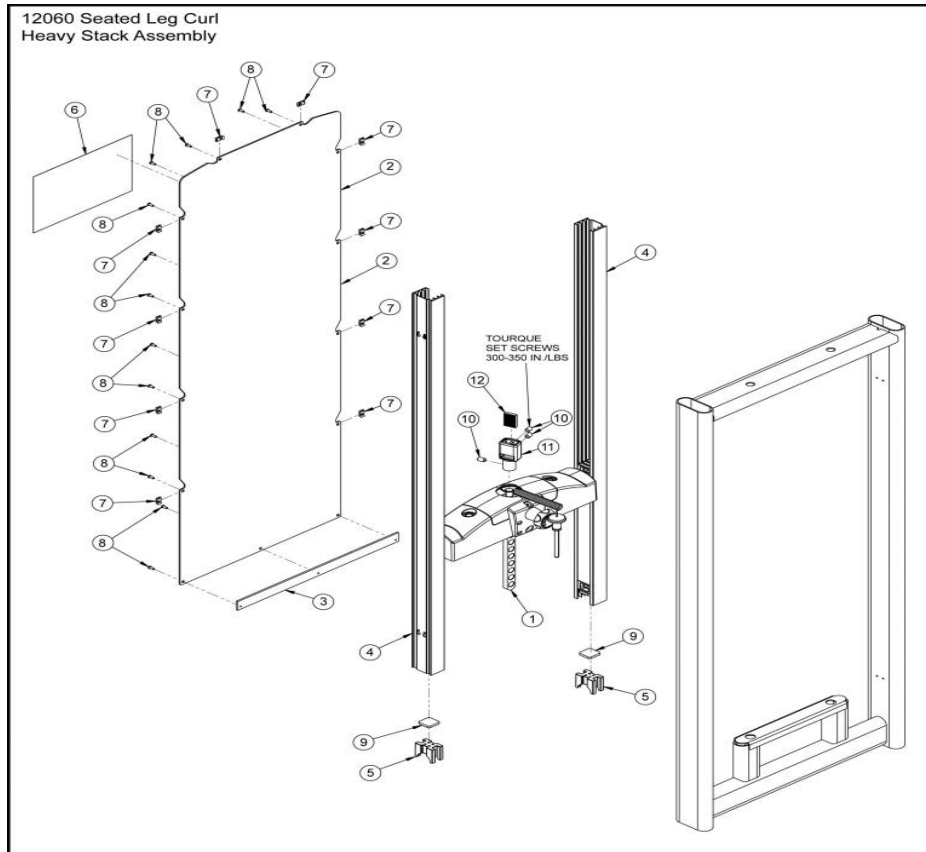
Ref #	Part Number	Qty	Description
57	GB000202	1	BELT .95 WIDE

12060 Frame Assembly



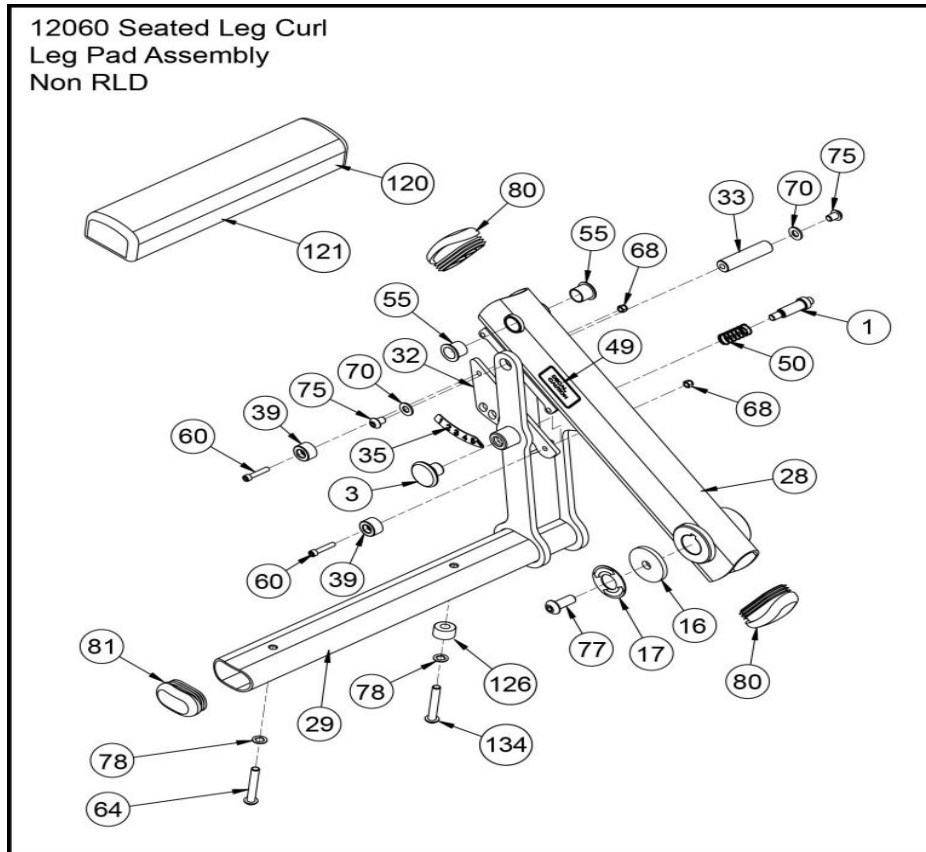
Ref #	Part Number	Qty	Description
K2	12000K017	1	Kit Water Bottle Holder
12	12000-398	4	SPACER
24A	12060-200	1	W MAIN FRAME Custom
24B	12068-200	1	W MAIN FRAME Custom
38	12090-322	3	PAD FOOT
52	CM000211	1	DECAL PATENT
57	GB000202	1	BELT .95 WIDE
58	GP000209	2	PULLEY ASSEMBLY-3.50
63	HC700428	2	BHSCS .375-16 X 2.25
69	HN704901	2	LOCKNUT .375-16 NYLON
71	HT512517	2	TAP SC 10-24 X 1.00 TYPE WB PN HD PHIL BLK
122	12000-466	1	PULLEY COVER
123	HT570410	4	SCREW PNH TORX 10-24X.375 BLACK
127	13000-402	1	Mount Water Bottle Holder
128	13000-400	1	Holder Water Bottle
129	HT552515	1	TAP SC NO. 8-16 X .75 PLASTITE PN HD PHIL BLK
135	DE000005	1	Decal Caution Custom

12060 Heavy Stack Assembly



Ref #	Part Number	Qty	Description
1	11040-006	1	TOP WEIGHT ASSY 10
2	12000-375	2	PANEL INSERT
3	12000-378	1	SUPPORT
4	12000-387	2	EXTRUSION INC WT CHANNEL
5	12102-330	2	INSERT INCREMENT WEIGHT
6	3900-441	1	DECAL CYBEX VER BLACK
7	HF579000	10	PANEL FASTENER 10-24 U TYPE
8	HX570412	11	BHSCS 10-24 X .50 SS
9	11040-409	2	BUMPER
10	HY740000	4	SET SCREW
11	11040-216	1	P BELT CLAMP
12	11040-301	1	INSERT CLAMP BLOCK

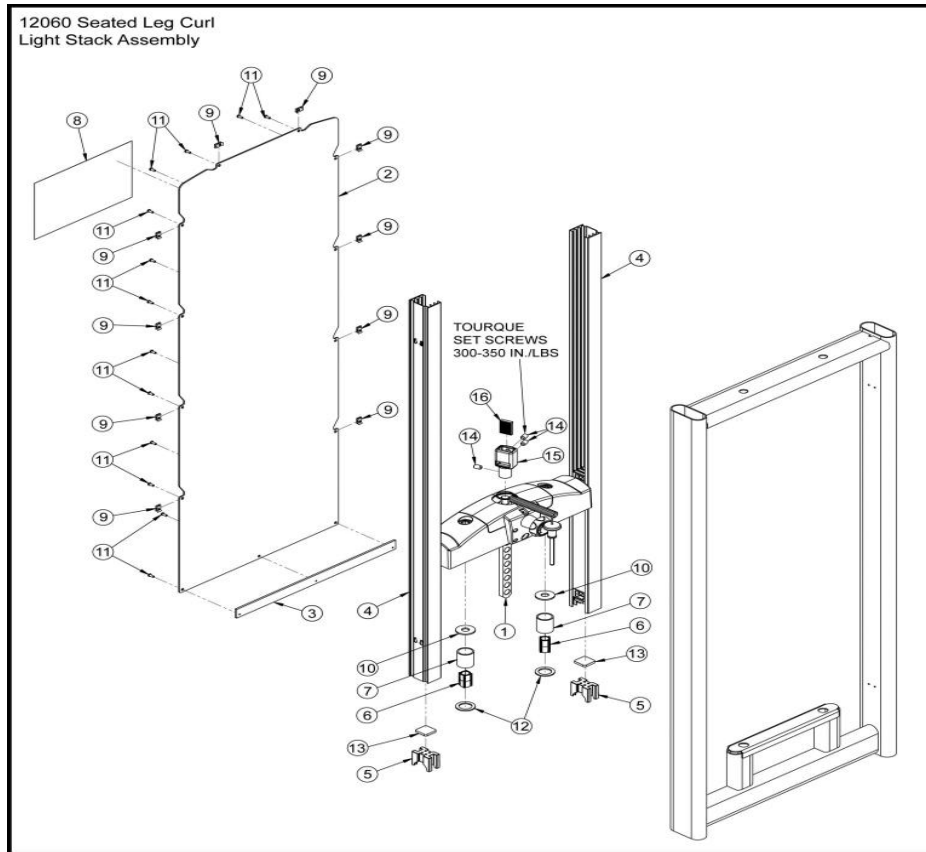
12060 Leg Pad Assembly Non RLD



Ref #	Part Number	Qty	Description
1	08229	1	P PIN DETENT
3	11040-440	2	KNOB
16	12050-343	1	WASHER
17	12050-355	1	DECAL ROTATION
28	12060-211	1	W INPUT ARM Custom
29	12060-212	1	W CUSHION ARM Custom
32	12060-336	1	P DETENT PLATE
33	12060-346	1	PIN PIVOT
35	12060-356	2	DECAL ADJUSTING
39	12100-303	2	BUMPER
49	8500-025	1	DECAL CAUTION Custom
50	BS070201	1	COM SPRING .56 ID X .66 OD X 1.50 LG
55	FB130212	2	BUSHING FLANGE FOOTPLATE.75ID
60	HC622820	2	SHCS .250-20 X 1.25
64	HC700430	1	BHSCS .375-16 X 2.50
68	HN625200	2	LOCKNUT .250-20 NYLON HVY
70	HS347600	2	WASHER SAE .375
75	JC700412	2	BHSCS .375-16 X .50
77	JC780420	1	BHSCS .500-13 X 1.25
78	JS347400	2	LOCKWASHER INT TOOTH .375
80	PP130002	2	INSERT DOMED PLASTIC
81	PP130003	1	INSERT PLASTIC

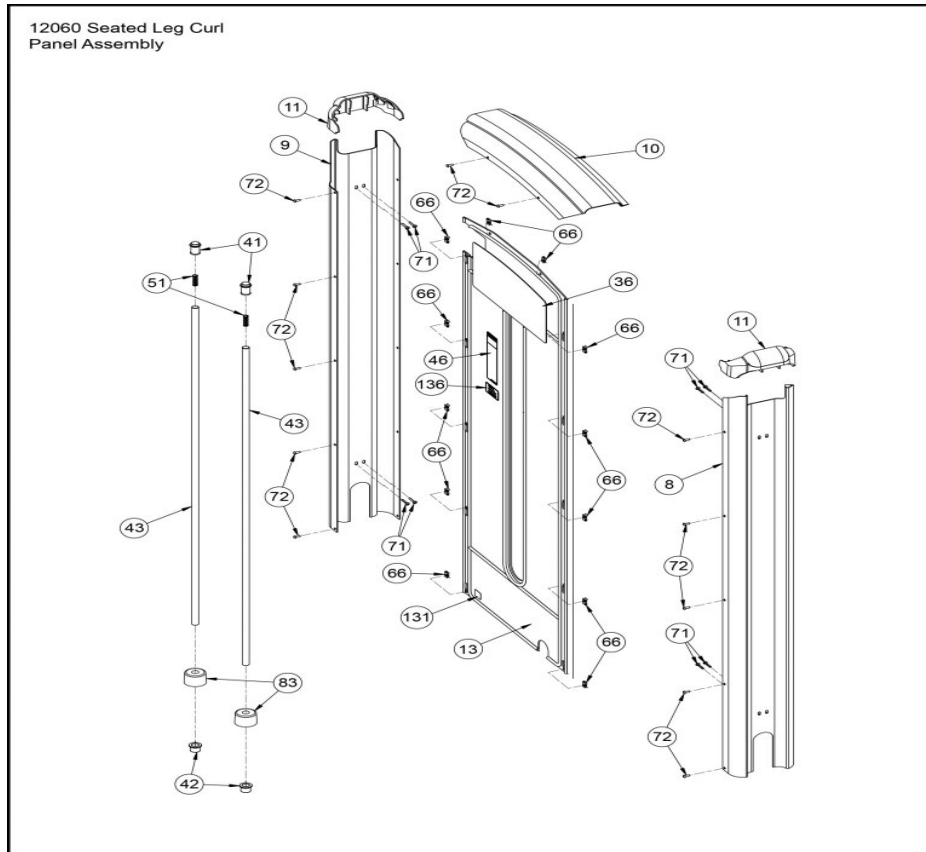
Ref #	Part Number	Qty	Description
120	4800-196	1	COVERED CUSHION AS CONTOUR 20 Custom
121	4800-199	1	WEAR COVER CS Custom
126	PR060003	1	BUMPER RECESS
134	HC700432	1	BHSCS .375-16 X 2.75

12060 Light Stack Assembly



Ref #	Part Number	Qty	Description
1	11040-006	1	TOP WEIGHT ASSY 10
2	12000-375	1	PANEL INSERT
3	12000-378	1	SUPPORT
4	12000-387	2	EXTRUSION INC WT CHANNEL
5	12102-330	2	INSERT INCREMENT WEIGHT
6	12210-352	2	INSERT PLASTIC
7	12210-358	2	TUBE SPACER
8	3900-441	1	DECAL CYBEX VER BLACK
9	HF579000	10	PANEL FASTENER 10-24 U TYPE
10	HS760106	1	WASH FLAT 1.750 .688 .140 T
11	HX570412	8	BHSCS 10-24 X .50 SS
12	JS497600	2	WASHER 1.19 ID X 1.75 OD X .12 THK
13	11040-409	1	BUMPER
14	HY740000	3	SET SCREW
15	11040-216	1	P BELT CLAMP
16	11040-301	1	INSERT CLAMP BLOCK

12060 Panel Assembly



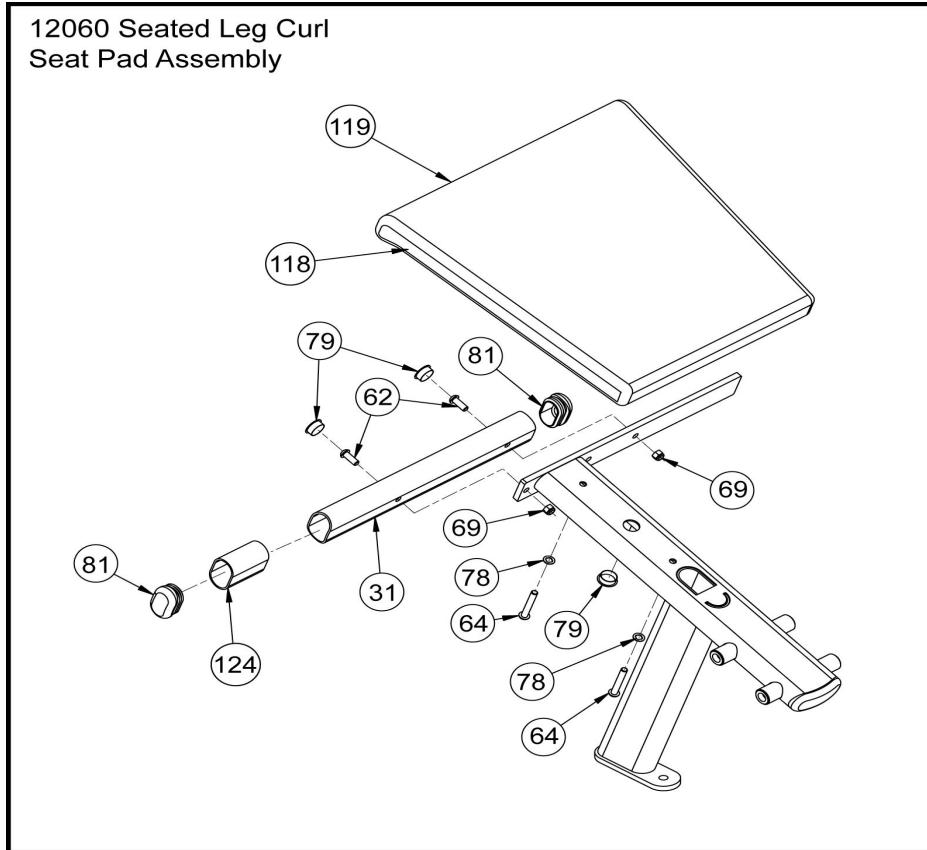
Ref #	Part Number	Qty	Description
8	12000-392	1	CHANNEL INCREMENT WEIGHT
9	12000-394	1	CHANNEL INCREMENT WEIGHT
10	12000-395	1	CAP TOP
11	12000-396	2	END CAP
13	12000-405	1	PANEL INSERT
36	12060-598	1	Placard VR3 Seat Leg C
41	12210-347	2	CAP GUIDE ROD
42	12210-348	2	CAP GUIDE ROD
43	12210-350	2	WT ROD .625 DIA X 49.53
46	DE000001	1	Decal Warning Custom
51	BS070208	2	COMP SPRING .396 ID X .480 OD X 1.50 LG
66	HF579000	12	PANEL FASTENER 10-24 U TYPE
71	HT512517	10	TAP SC 10-24 X 1.00 TYPE WB PN HD PHIL BLK
72	HX570412	10	BHSCS 10-24 X .50 SS
83	PR060005	2	BUMPER WEIGHT
131	11040-790	1	NLA: DECAL, MADE IN THE USA
136	DE000005	1	Decal Caution Custom

12060 Parts Not Shown



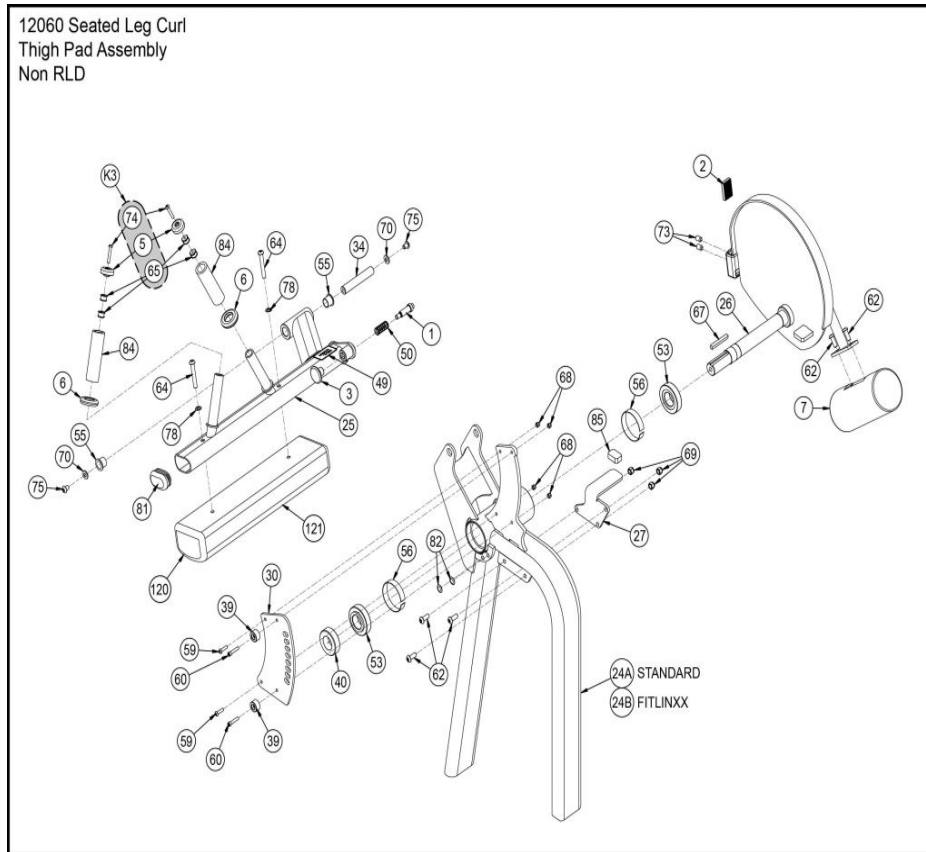
Ref #	Part Number	Qty	Description
K7	12000K019	1	Kit Hardware VR3

12060 Seat Pad Assembly



Ref #	Part Number	Qty	Description
31	12060-317	1	TUBE SUPPORT
62	HC700417	2	BHSCS .375-16 X 1.00
64	HC700430	2	BHSCS .375-16 X 2.50
69	HN704901	2	LOCKNUT .375-16 NYLON
78	JS347400	2	LOCKWASHER INT TOOTH .375
79	PN660200	2	INSERT PLASTIC 1.00 DIA-11 GA
81	PP130003	2	INSERT PLASTIC
118	01655	1	COVERED CUSHION SA TPR 20X20 Custom
119	01656	1	COVER SA TPR 20 X 20 Custom
124	12060-362	1	GRIP 2.94 LG X 2.00 OD X 11GA

12060 Thigh Pad Assembly Non RLD



Ref #	Part Number	Qty	Description
1	08229	1	P PIN DETENT
2	11040-301	1	INSERT CLAMP BLOCK
3	11040-440	1	KNOB
K3	11090K006	1	KIT HANDLE TRIM RING
5	11090-374	1	END CAP
6	11090-376	2	RING HANDLE GRIP
7	11100-363	1	C/COUNTERWEIGHT
24B	12068-200	1	W MAIN FRAME Custom
24A	12060-200	1	W MAIN FRAME Custom
25	12060-206	1	W CUSHION PIVOT Custom
26	12060-209	1	W CAM Custom
27	12060-210	1	W CAM STOP Custom
30	12060-315	1	P DETENT PLATE
34	12060-347	1	PIN PIVOT
39	12100-303	2	BUMPER
40	12101-300	1	SPACER
49	8500-025	1	DECAL CAUTION Custom
50	BS070201	1	COM SPRING .56 ID X .66 OD X 1.50 LG
53	FB030249	2	BEARING RADIAL 35MM EXT RACE
55	FB130212	2	BUSHING FLANGE FOOTPLATE.75ID
56	FC030009	2	TOLERANCE RING 72MM
59	HC620417	2	BHSCS .250-20 X 1.00

Ref #	Part Number	Qty	Description
60	HC622820	2	SHCS .250-20 X 1.25
62	HC700417	5	BHSCS .375-16 X 1.00
64	HC700430	2	BHSCS .375-16 X 2.50
65	HF449063	1	INSERT 3-4X1-4-20 CONNECTOR
67	HH320030	1	KEY .313 SQ X 2.50
68	HN625200	4	LOCKNUT .250-20 NYLON HVY
69	HN704901	3	LOCKNUT .375-16 NYLON
70	HS347600	2	WASHER SAE .375
73	HY740000	2	SET SCREW
74	JC620422	1	BHSCS .250-20 X 1.50
75	JC700412	2	BHSCS .375-16 X .50
78	JS347400	2	LOCKWASHER INT TOOTH .375
81	PP130003	1	INSERT PLASTIC
82	PP660006	2	PLUG SNAP IN
84	4605-514	2	GRAB GRIP 4.50
85	PU060201	1	BUMPER
120	4800-196	1	COVERED CUSHION AS CONTOUR 20 Custom
121	4800-199	1	WEAR COVER CS Custom

