

VR3 STANDING CALF

12420-01

Parts Manual

1/5/2019 2:33:53 AM

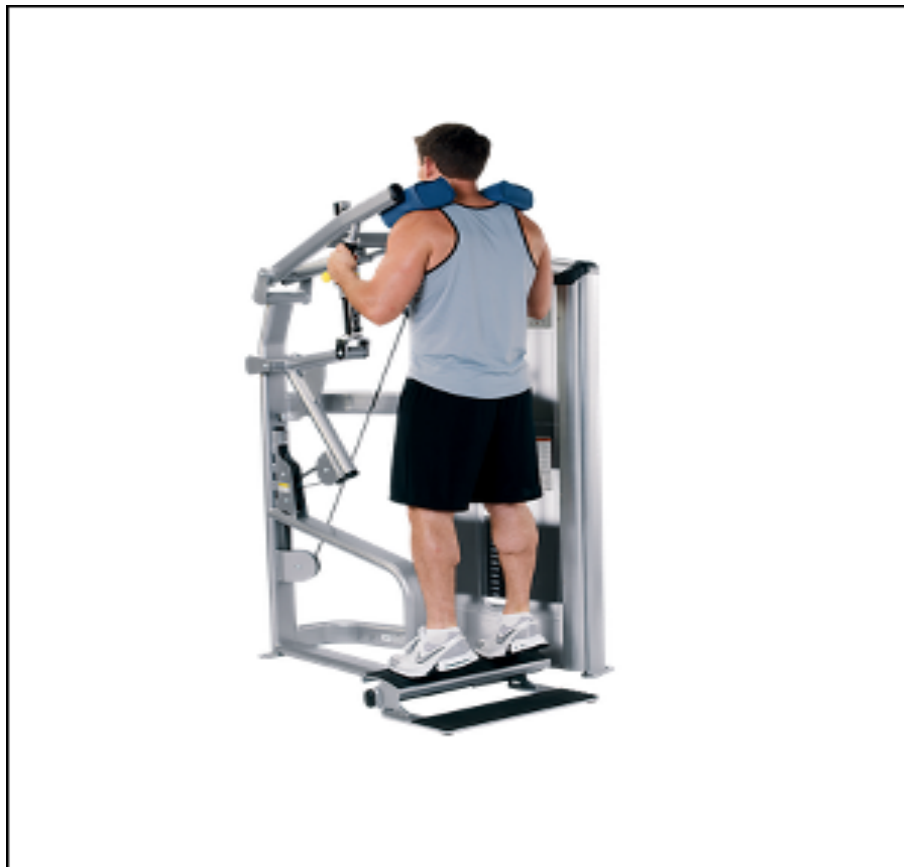
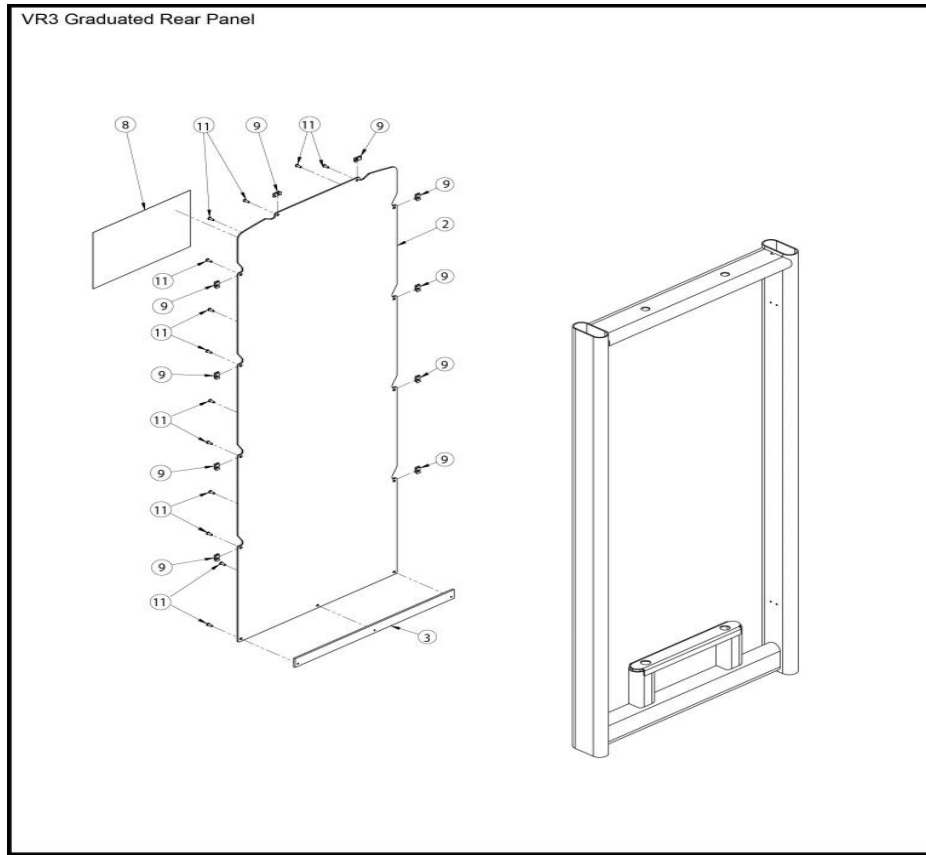


Table of Contents

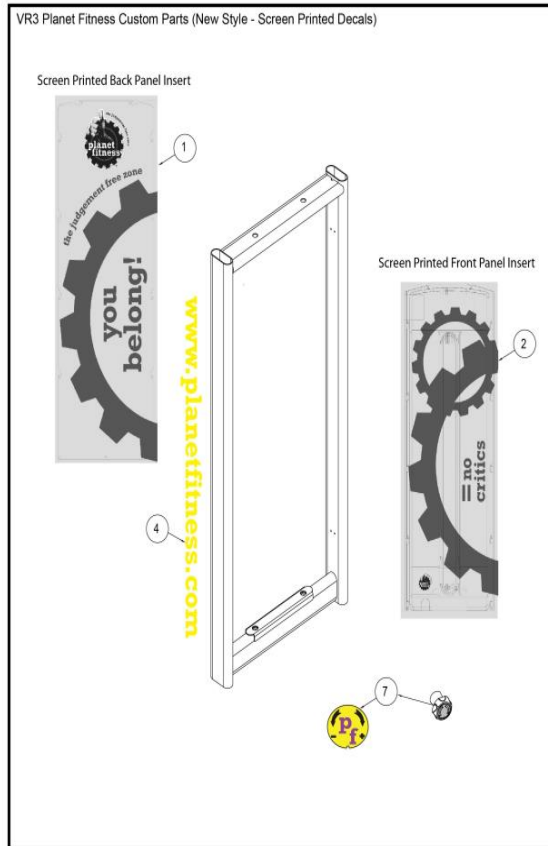
[VR3 Graduated Back Panel \(12000-375\)](#).....3
[VR3 Planet Fitness Custom \(New Style\)](#).....4
[VR3 Planet Fitness Custom \(Old Style\)](#).....5
[VR3 You Fit Custom](#).....6
[VR3 - 20 Hole Graduated Stack Assembly](#).....7
[12120 Arm Assembly](#).....8
[12120 Belt Routing](#).....10
[12120 Frame Assembly](#).....11
[12120 Panel Assembly](#).....13
[12120 Parts Not Shown](#).....14

VR3 Graduated Back Panel (12000-375)



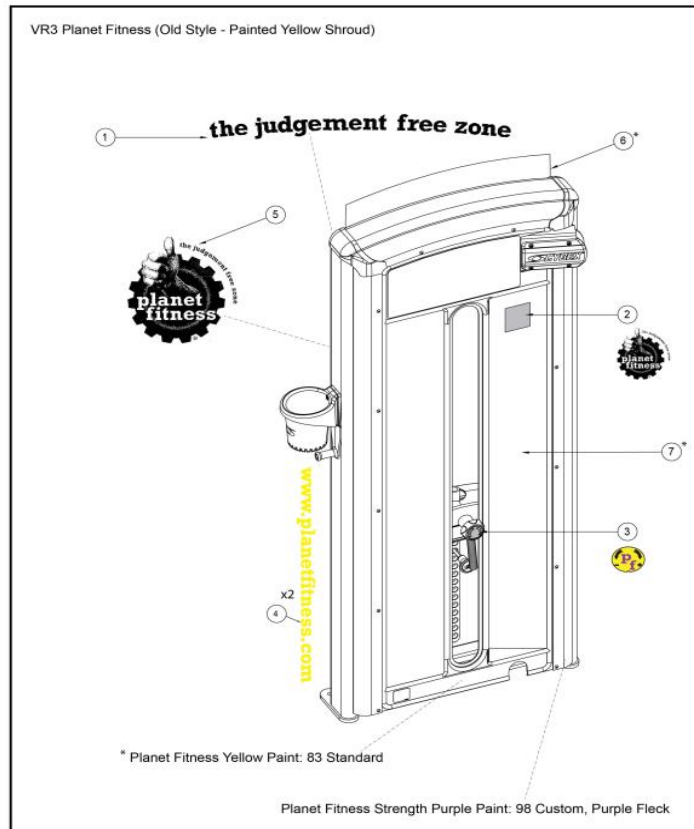
Ref #	Part Number	Qty	Description
2	12000-375	1	PANEL INSERT
3	12000-378	1	SUPPORT
8	3900-441	1	DECAL CYBEX VER BLACK
9	HF579000	10	PANEL FASTENER 10-24 U TYPE
11	HX570412	13	BHSCS 10-24 X .50 SS

VR3 Planet Fitness Custom (New Style)



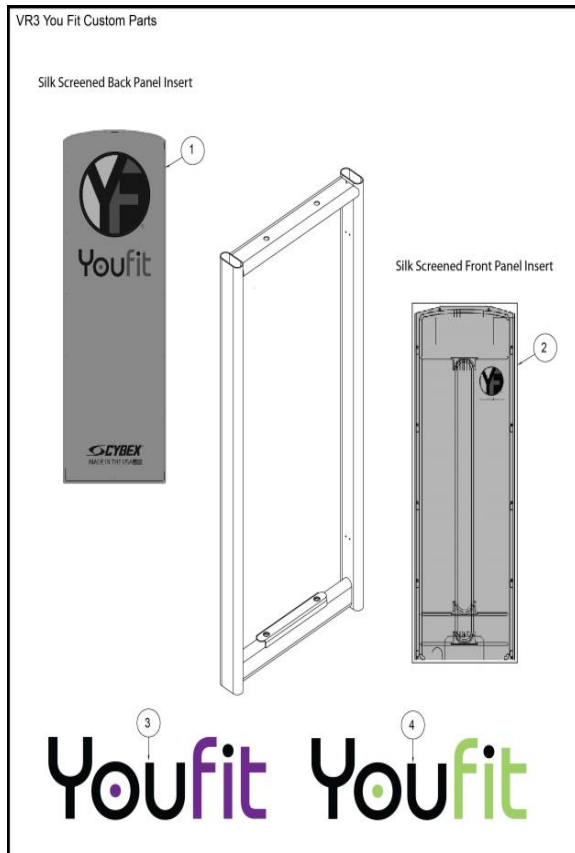
Ref #	Part Number	Qty	Description
1	12000-375P	1	BACK PANEL INSERT, PLANET FITNESS
2	12000-399P	1	Panel insert, Planet Fitness
4	DE-60251	1	WWW.PLANETFITNESS.COM DECAL (YELLOW)
7	DE-60231	1	DECAL ROTATION PLANET FITNESS

VR3 Planet Fitness Custom (Old Style) □



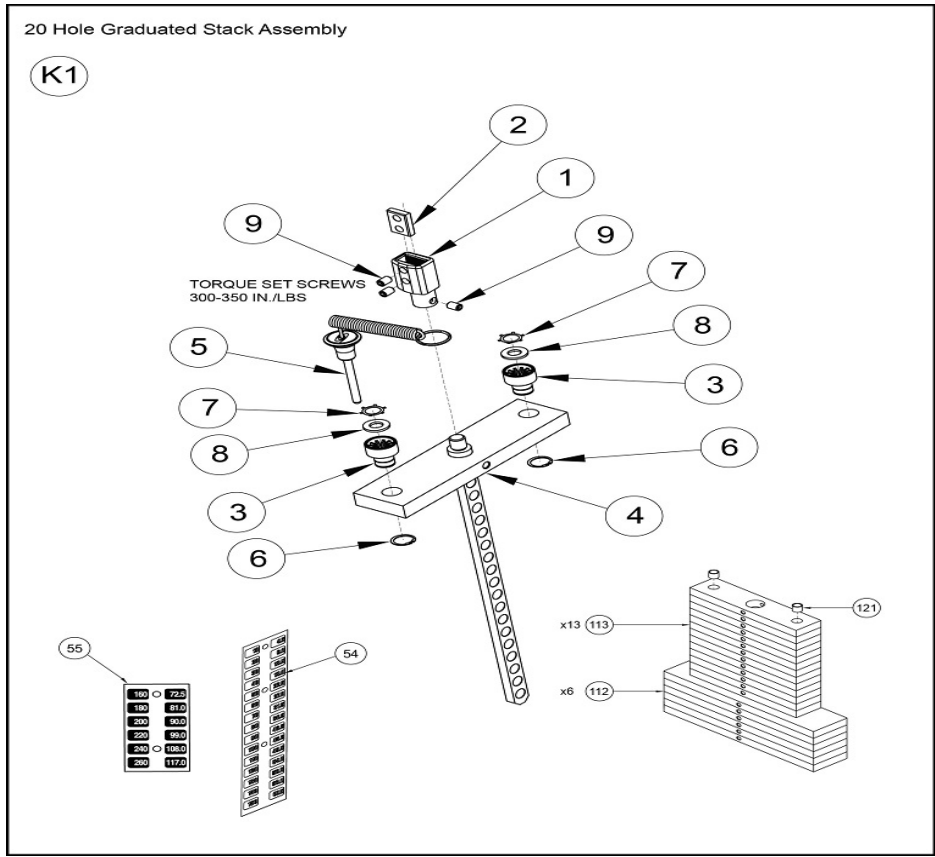
Ref #	Part Number	Qty	Description
1	DE-60232	1	DECAL JUDGEMENT FREE ZONE
2	DE-60233	1	DECAL THUMBS UP 3 INCH PLANET FITNESS
3	DE-60231	1	DECAL ROTATION PLANET FITNESS
4	DE-60251	1	WWW.PLANETFITNESS.COM DECAL (YELLOW)
5	DE-60235	1	DECAL THUMBS UP 13 INCH PLANET FITNESS
6	12000-375Y	1	BACK PANEL INSERT YELLOW
7	12000-399Y	1	PANEL INSERT YELLOW

VR3 You Fit Custom □



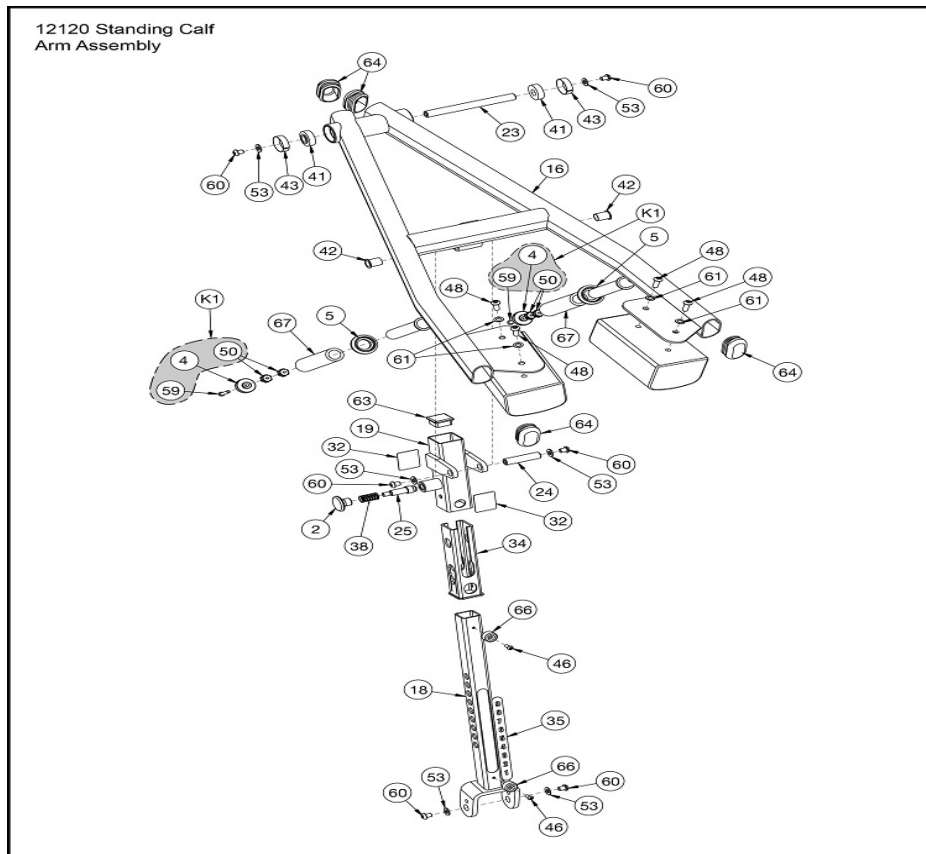
Ref #	Part Number	Qty	Description
1A	12000-375GY	1	BACK PANEL INSERT, YOUFIT GREEN
1C	12000-375PY	1	BACK PANEL INSERT, YOUFIT PURPLE
1B	12000-375YG	1	BACK PANEL INSERT, YOUFIT GREEN
1D	12000-375YP	1	BACK PANEL INSERT, YOUFIT PURPLE
2B	12000-399YP	1	PANEL INSERT, YOUFIT PURPLE
2A	12000-399GY	1	PANEL INSERT, YOUFIT GREEN
3	DE-60274	1	DECAL, YOUFIT PURPLE
4	DE-60275	1	DECAL, YOUFIT GREEN

VR3 - 20 Hole Graduated Stack Assembly



Ref #	Part Number	Qty	Description
K1	12301-008	1	Top Weight Assy 20
1	11040-216	1	P BELT CLAMP
2	11040-301	1	INSERT CLAMP BLOCK
3	13000-364	2	BEARING FLNG .62 ID X .92 OD X 1.75 LG
4	4700-267	2	C Top WT 20-3X12
5	BH030207	1	PIN WEIGHT SELECTOR
6	BR030206	2	RETAINING RING
7	BR030220	2	RETAINING RING 1.250 INTERNAL
8	HS720004	2	WASHER FELT .641 ID X 1.250 OD X .125 T
9	HY740000	3	SET SCREW
54	4800-557	1	DECAL WEIGHT PLATE 10-150
55	12301-553	1	Decal, Wt Plate (160-260)
112	4000C101	6	C STACK WT 4X18
113	4700-337	13	C Stack Weight 10 lbs exact
121	FB130216	2	Bushing Weight Stack

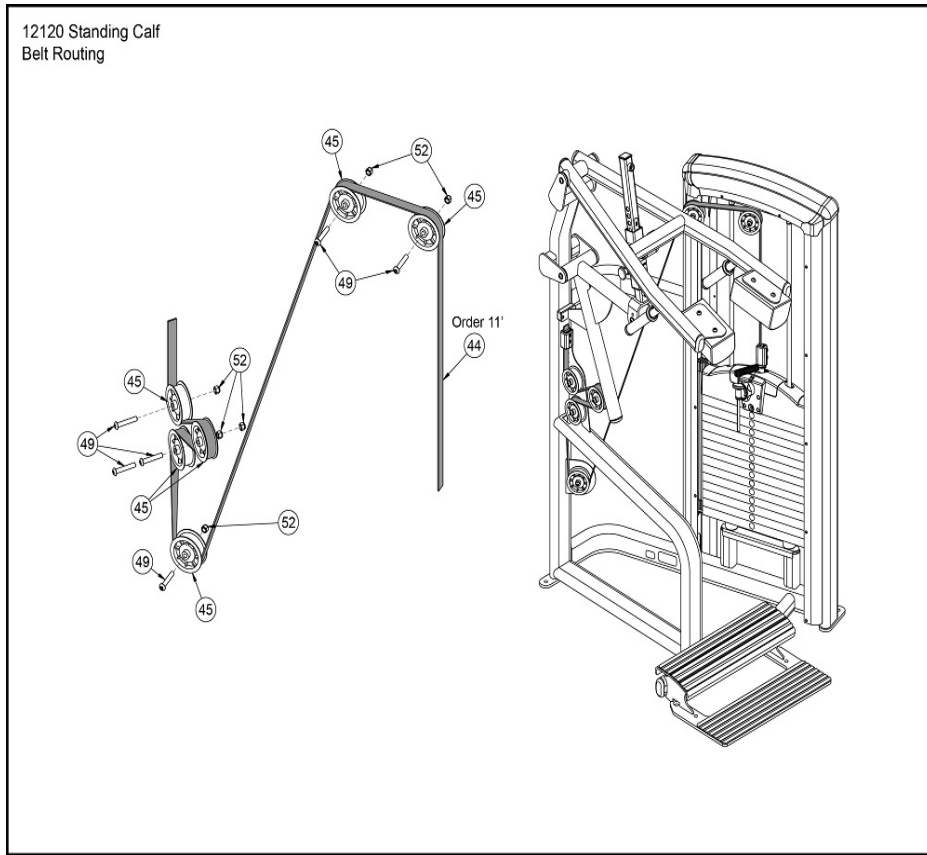
12120 Arm Assembly



Ref #	Part Number	Qty	Description
K1	11090K006	2	KIT HANDLE TRIM RING
2	11040-440	1	KNOB
4	11090-374	2	END CAP
5	11090-376	2	RING HANDLE GRIP
16	12120-201	1	W INPUT ARM Custom
18	12120-203	1	P DETENT TUBE
19	12120-204	1	W DETENT TUBE Custom
23	12120-328	1	SHAFT PIVOT
24	12120-329	1	SHAFT PIVOT
25	12120-330	1	PIN DETENT
32	4510-321	2	DECAL CAUTION Custom
34	4605-512	1	INSERT PLASTIC 7.94
35	4875-323	1	DECAL ADJUSTING
38	BS070201	1	COM SPRING .56 ID X .66 OD X 1.50 LG
41	FB030232	2	BRG RADIAL 17MM ID EXT RACE
42	FB130207	2	BRG FLG 17MM X 19MM X 25MM
43	FC030006	2	TOLERANCE RING 1.575 ID
46	HC620414	2	BHSCS .250-20 X .625
48	HC700417	4	BHSCS .375-16 X 1.00
50	HF449063	4	INSERT 3-4X1-4-20 CONNECTOR
53	HS347600	6	WASHER SAE .375
59	JC620422	2	BHSCS .250-20 X 1.50

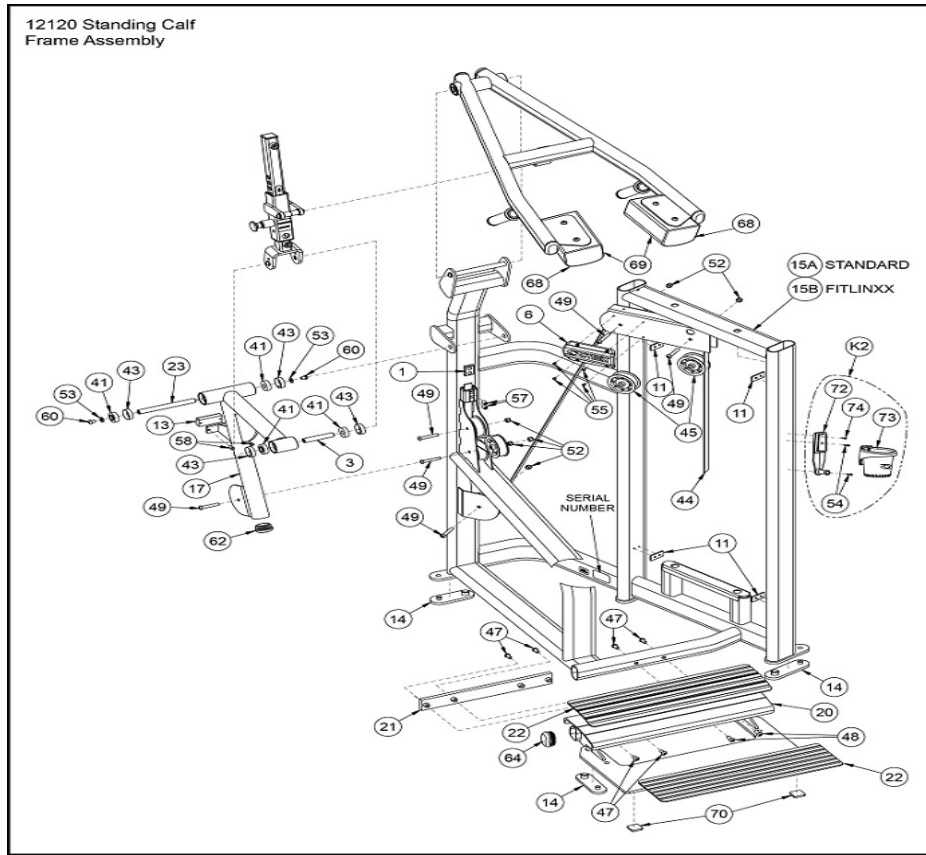
Ref #	Part Number	Qty	Description
60	JC700412	6	BHSCS .375-16 X .50
61	JS347400	4	LOCKWASHER INT TOOTH .375
63	PP090211	1	INSERT PL 1.50 SQ X 10-14 GA
64	PP130003	4	INSERT PLASTIC
66	PR069400	2	BUMPER RECESS
67	4605-507	2	GRAB GRIP 6.50

12120 Belt Routing



Ref #	Part Number	Qty	Description
44	GB000202	1	BELT .95 WIDE
45	GP000209	6	PULLEY ASSEMBLY-3.50
49	HC700428	6	BHSCS .375-16 X 2.25
52	HN704901	6	LOCKNUT .375-16 NYLON

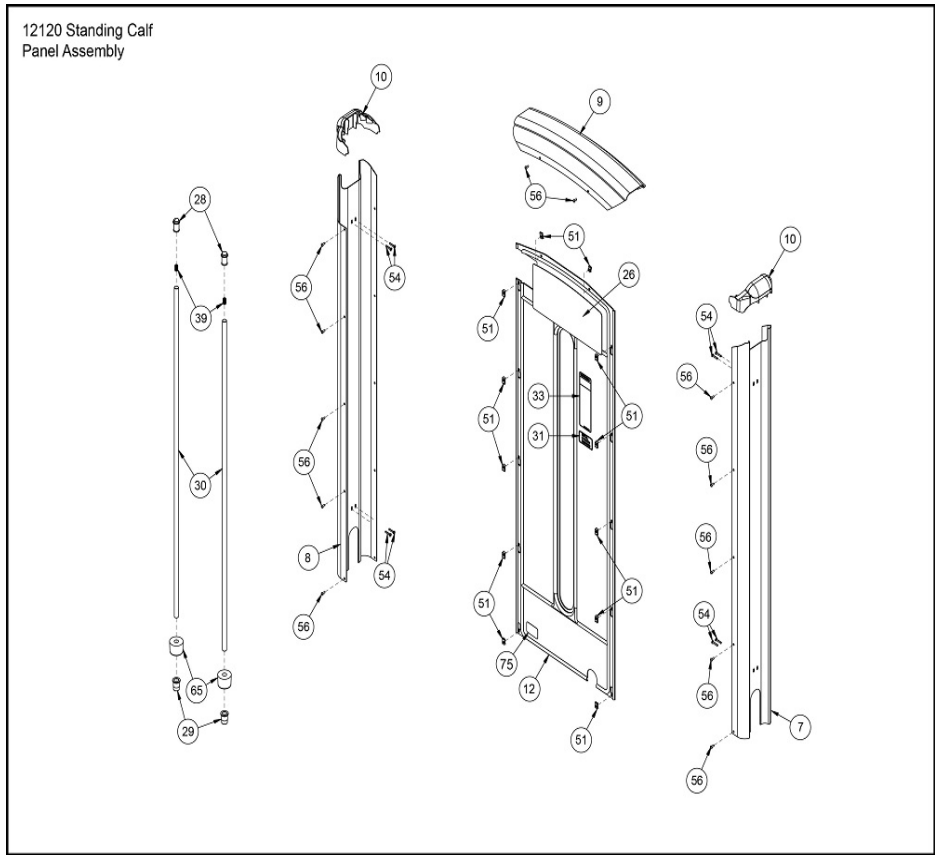
12120 Frame Assembly



Ref #	Part Number	Qty	Description
1	11040-301	1	INSERT CLAMP BLOCK
K2	12000K017	11	Kit Water Bottle Holder
3	11080-337	1	SHAFT PIVOT
6	12000-466	1	PULLEY COVER
11	12000-398	4	SPACER
13	12030-353	1	BLOCK STOP
14	12090-322	3	PAD FOOT
15B	12128-200	1	W MAIN FRAME Custom
15A	12120-200	1	W MAIN FRAME Custom
17	12120-202	1	W PIVOT
20	12120-207	1	W PLATFORM
21	12120-206	1	W ADAPTER PLATE
22	12120-326	2	NON-SLIP
23	12120-328	1	SHAFT PIVOT
41	FB030232	4	BRG RADIAL 17MM ID EXT RACE
43	FC030006	4	TOLERANCE RING 1.575 ID
44	GB000202	1	BELT .95 WIDE
45	GP000209	2	PULLEY ASSEMBLY-3.50
47	HC700415	6	BHSCS .375-16 X .75
48	HC700417	2	BHSCS .375-16 X 1.00
49	HC700428	6	BHSCS .375-16 X 2.25
52	HN704901	6	LOCKNUT .375-16 NYLON

Ref #	Part Number	Qty	Description
53	HS347600	2	WASHER SAE .375
55	HT570410	4	SCREW PNH TORX 10-24X.375 BLACK
57	HY740000	2	SET SCREW
58	JC620415	2	BHSCS .250-20 X .75
60	JC700412	2	BHSCS .375-16 X .50
62	PP080226	1	INSERT PLASTIC 2.00 DIA-RIB
64	PP130003	1	INSERT PLASTIC
68	4800-071	2	COVERED CUSHION Custom
69	4800-101	2	WEAR COVER SA 8 CONTOUR DBL Custom
70	11040-409	2	BUMPER
72	13000-402	1	Mount Water Bottle Holder
73	13000-400	1	Holder Water Bottle
74	HT552515	1	TAP SC NO. 8-16 X .75 PLASTITE PN HD PHIL BLK

12120 Panel Assembly



Ref #	Part Number	Qty	Description
7	12000-392	1	CHANNEL INCREMENT WEIGHT
8	12000-394	1	CHANNEL INCREMENT WEIGHT
9	12000-395	1	CAP TOP
10	12000-396	2	END CAP
12	12000-405	1	PANEL INSERT
26	12120-598	1	Placard VR3 Stand Calf
28	12210-347	2	CAP GUIDE ROD
29	12210-348	2	CAP GUIDE ROD
30	12210-350	2	WT ROD .625 DIA X 49.53
31	DE000005	1	Decal Caution Custom
33	DE000001	1	Decal Warning Custom
39	BS070208	2	COMP SPRING .396 ID X .480 OD X 1.50 LG
51	HF579000	12	PANEL FASTENER 10-24 U TYPE
54	HT512517	8	TAP SC 10-24 X 1.00 TYPE WB PN HD PHIL BLK
56	HX570412	12	BHSCS 10-24 X .50 SS
65	PR060005	2	BUMPER WEIGHT
75	11040-790	1	NLA: DECAL, MADE IN THE USA

12120 Parts Not Shown



Ref #	Part Number	Qty	Description
K6	12000K019	1	Kit Hardware VR3

