

Vr3 Prone Leg Curl (Total Rld)Sbom V01

12442-01

Parts Manual

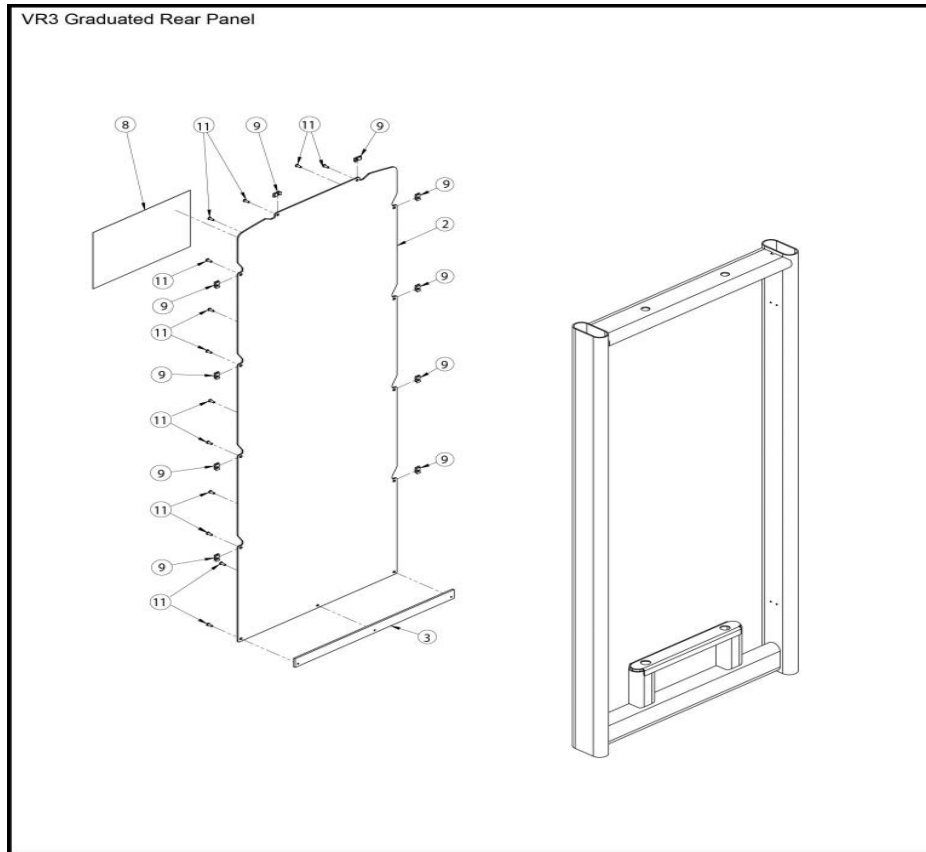
1/5/2019 2:34:12 AM



Table of Contents

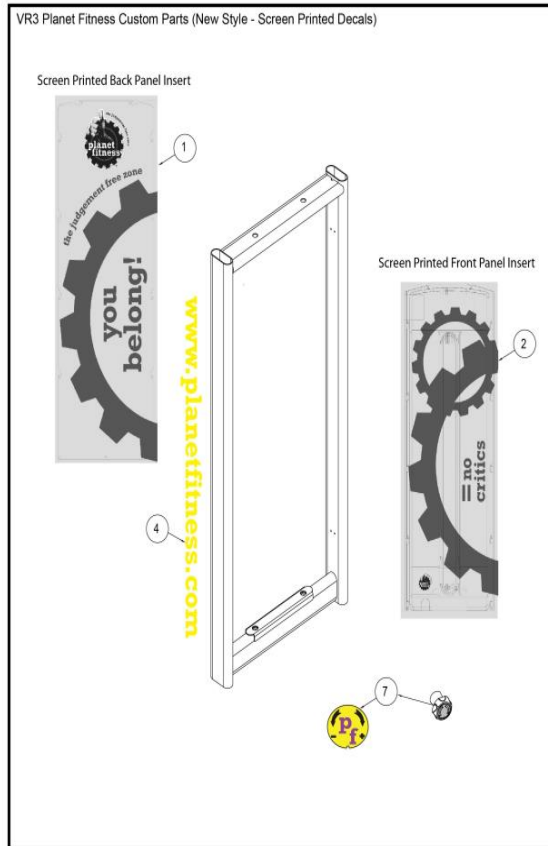
VR3 Graduated Back Panel (12000-375)	3
VR3 Planet Fitness Custom (New Style)	4
VR3 Planet Fitness Custom (Old Style)	5
VR3 You Fit Custom	6
10 Hole Graduated Stack Assembly	7
12140 Belt Routing	8
12140 Cam and Leg Pad	9
12140 Frame Assembly	11
12140 Pad and Handle Assembly	12
12140 Panel Assembly	13
12140 Parts Not Shown	14
12142 Total RLD	15

VR3 Graduated Back Panel (12000-375)



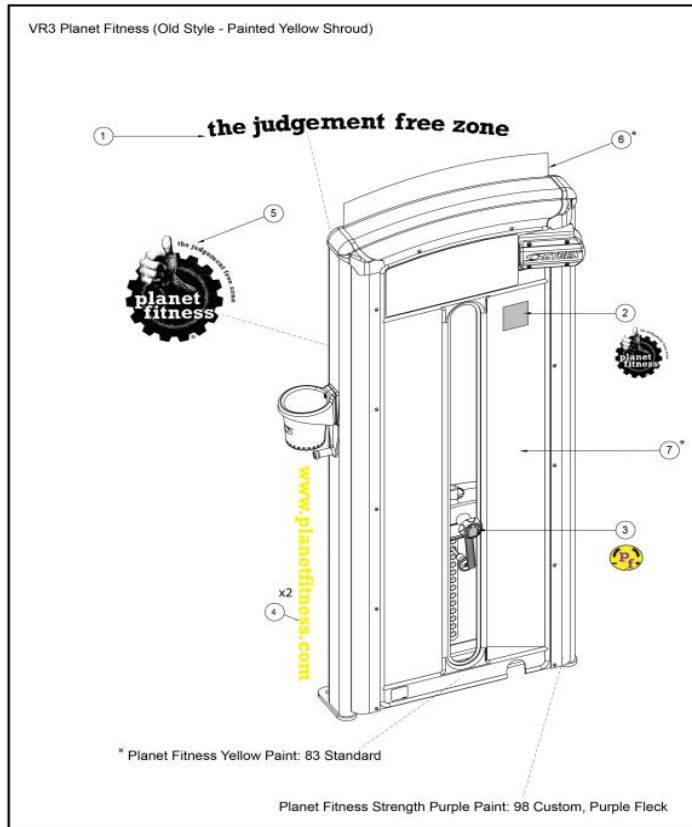
Ref #	Part Number	Qty	Description
2	12000-375	1	PANEL INSERT
3	12000-378	1	SUPPORT
8	3900-441	1	DECAL CYBEX VER BLACK
9	HF579000	10	PANEL FASTENER 10-24 U TYPE
11	HX570412	13	BHSCS 10-24 X .50 SS

VR3 Planet Fitness Custom (New Style)



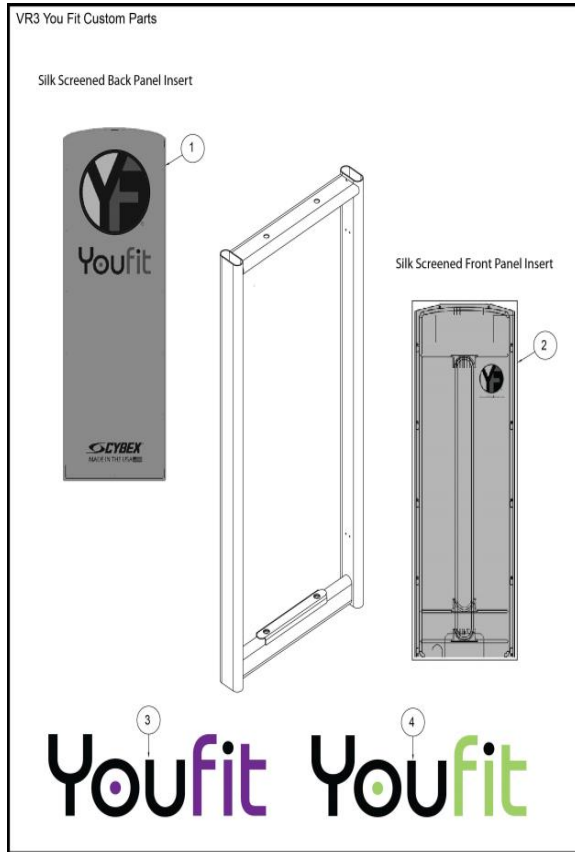
Ref #	Part Number	Qty	Description
1	12000-375P	1	BACK PANEL INSERT, PLANET FITNESS
2	12000-399P	1	Panel insert, Planet Fitness
4	DE-60251	1	WWW.PLANETFITNESS.COM DECAL (YELLOW)
7	DE-60231	1	DECAL ROTATION PLANET FITNESS

VR3 Planet Fitness Custom (Old Style) □



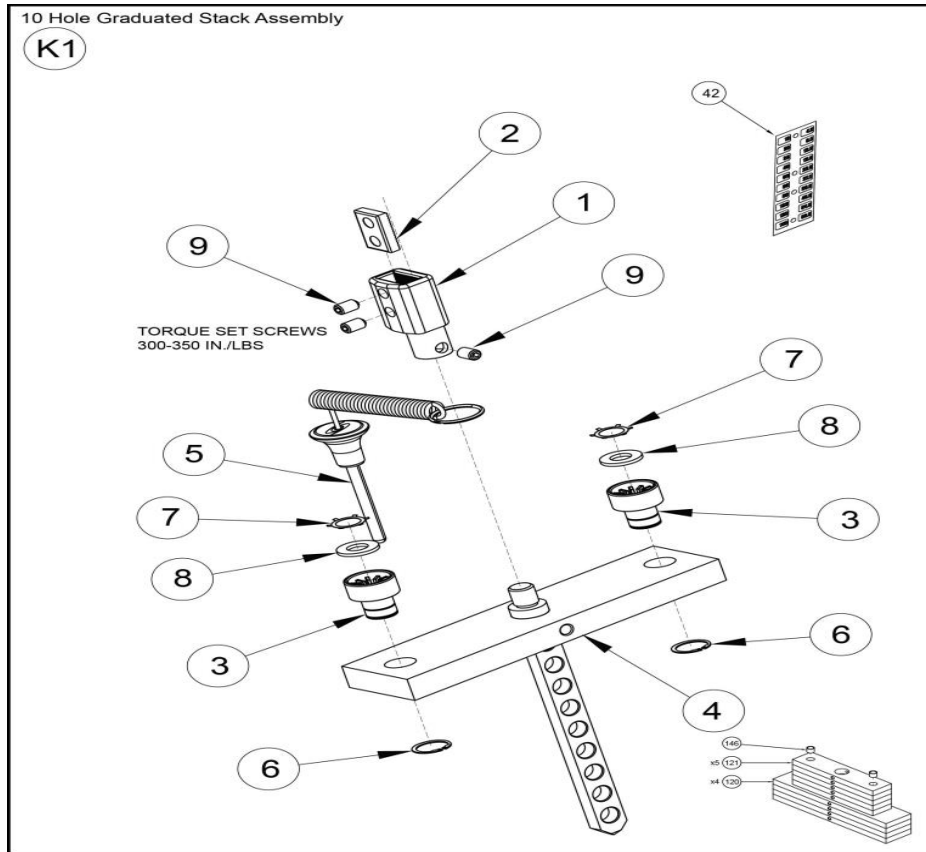
Ref #	Part Number	Qty	Description
1	DE-60232	1	DECAL JUDGEMENT FREE ZONE
2	DE-60233	1	DECAL THUMBS UP 3 INCH PLANET FITNESS
3	DE-60231	1	DECAL ROTATION PLANET FITNESS
4	DE-60251	1	WWW.PLANETFITNESS.COM DECAL (YELLOW)
5	DE-60235	1	DECAL THUMBS UP 13 INCH PLANET FITNESS
6	12000-375Y	1	BACK PANEL INSERT YELLOW
7	12000-399Y	1	PANEL INSERT YELLOW

VR3 You Fit Custom



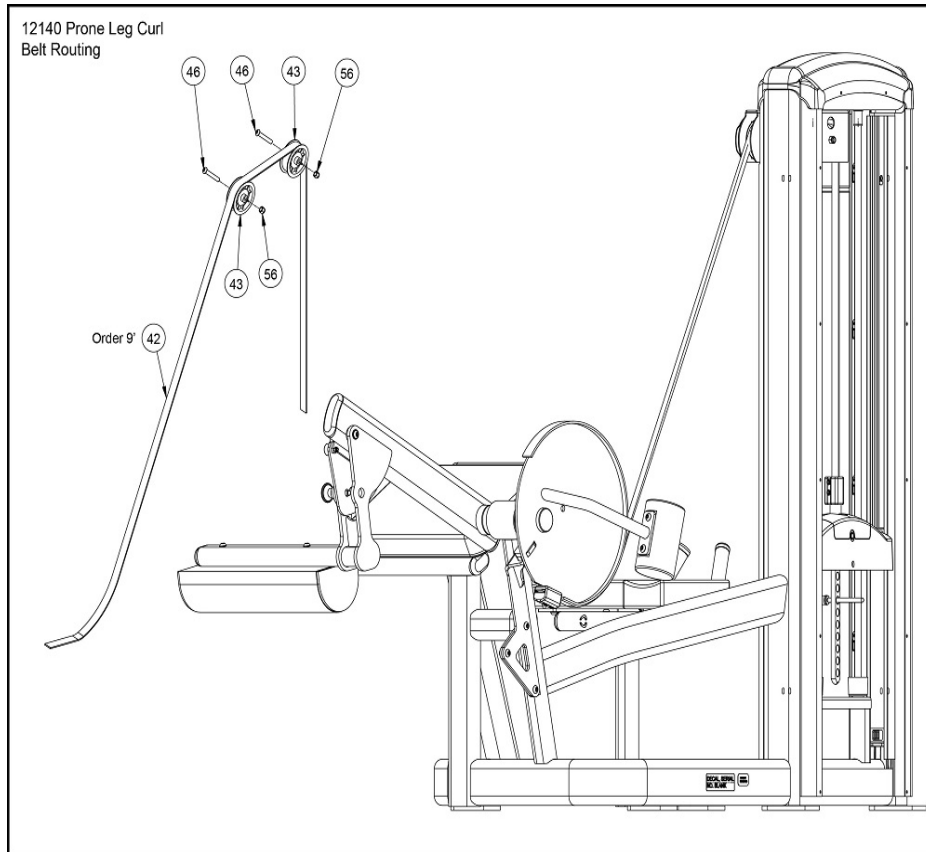
Ref #	Part Number	Qty	Description
1C	12000-375PY	1	BACK PANEL INSERT, YOUFIT PURPLE
1A	12000-375GY	1	BACK PANEL INSERT, YOUFIT GREEN
1D	12000-375YP	1	BACK PANEL INSERT, YOUFIT PURPLE
1B	12000-375YG	1	BACK PANEL INSERT, YOUFIT GREEN
2B	12000-399YP	1	PANEL INSERT, YOUFIT PURPLE
2A	12000-399GY	1	PANEL INSERT, YOUFIT GREEN
3	DE-60274	1	DECAL, YOUFIT PURPLE
4	DE-60275	1	DECAL, YOUFIT GREEN

10 Hole Graduated Stack Assembly



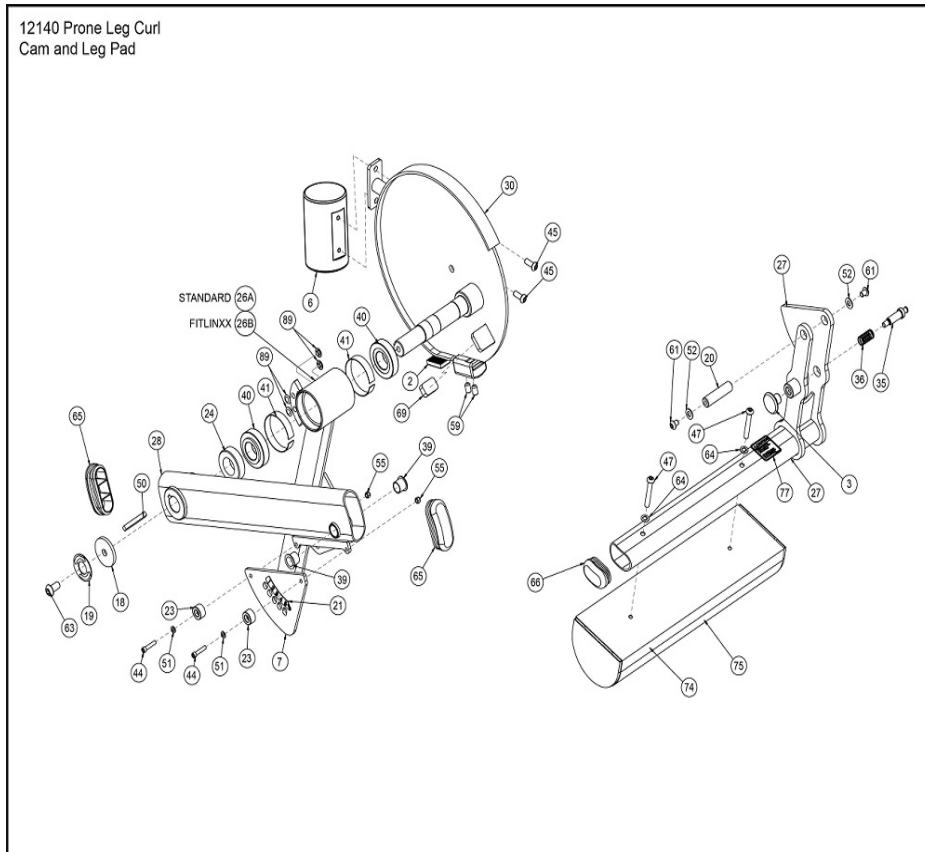
Ref #	Part Number	Qty	Description
1	11040-216	1	P BELT CLAMP
K1	12301-006	1	Top Weight Assy 10
2	11040-301	1	INSERT CLAMP BLOCK
3	13000-364	2	BEARING FLNG .62 ID X .92 OD X 1.75 LG
4	4700-265	1	C Top WT 10-3X12
5	BH030207	1	PIN WEIGHT SELECTOR
6	BR030206	2	RETAINING RING
7	BR030220	2	RETAINING RING 1.250 INTERNAL
8	HS720004	2	WASHER FELT .641 ID X 1.250 OD X .125 T
9	HY740000	3	SET SCREW
42	12301-551	1	DECAL, WT PLATE GRADUATED (10-140)
120	4000C101	4	C STACK WT 4X18
121	4700-337	5	C Stack Weight 10 lbs exact
146	FB130216	2	Bushing Weight Stack

12140 Belt Routing



Ref #	Part Number	Qty	Description
42	GB000202	1	BELT .95 WIDE
43	GP000209	2	PULLEY ASSEMBLY-3.50
46	HC700428	2	BHSCS .375-16 X 2.25
56	HN704901	2	LOCKNUT .375-16 NYLON

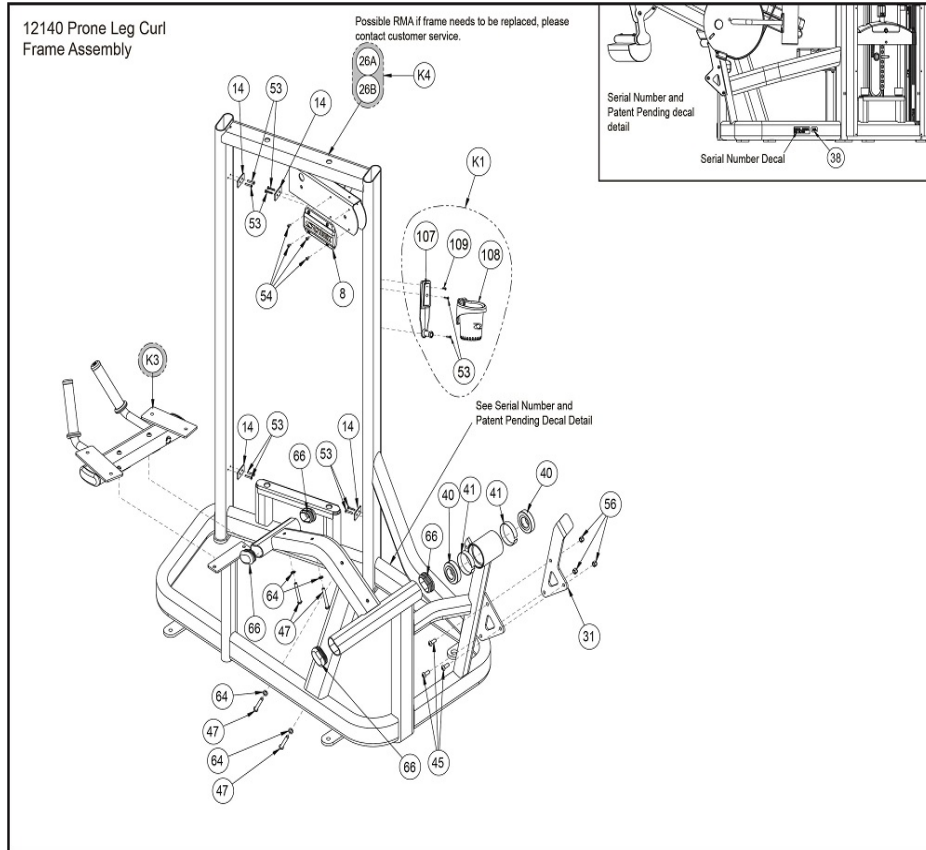
12140 Cam and Leg Pad



Ref #	Part Number	Qty	Description
2	11040-301	1	INSERT CLAMP BLOCK
3	11040-440	1	KNOB
6	11070-332	1	C COUNTERWEIGHT
7	11140-322	1	P DETENT PLATE
18	12050-343	1	WASHER
19	12050-355	1	DECAL ROTATION
20	12060-346	1	PIN PIVOT
21	12060-356	1	DECAL ADJUSTING
23	12100-303	2	BUMPER
24	12101-300	1	SPACER
26B	12148-200	1	W Main Frame Custom
26A	12140-200	1	W MAIN FRAME Custom
27	12140-201	2	W CUSHION ARM Custom
28	12140-202	1	W INPUT ARM Custom
30	12140-205	1	W/CAM Custom
35	8510-366	1	P DETENT PIN
36	BS070201	1	COM SPRING .56 ID X .66 OD X 1.50 LG
39	FB130212	2	BUSHING FLANGE FOOTPLATE.75ID
40	FB030249	2	BEARING RADIAL 35MM EXT RACE
41	FC030009	2	TOLERANCE RING 72MM
44	HC622820	2	SHCS .250-20 X 1.25
45	HC700417	2	BHSCS .375-16 X 1.00

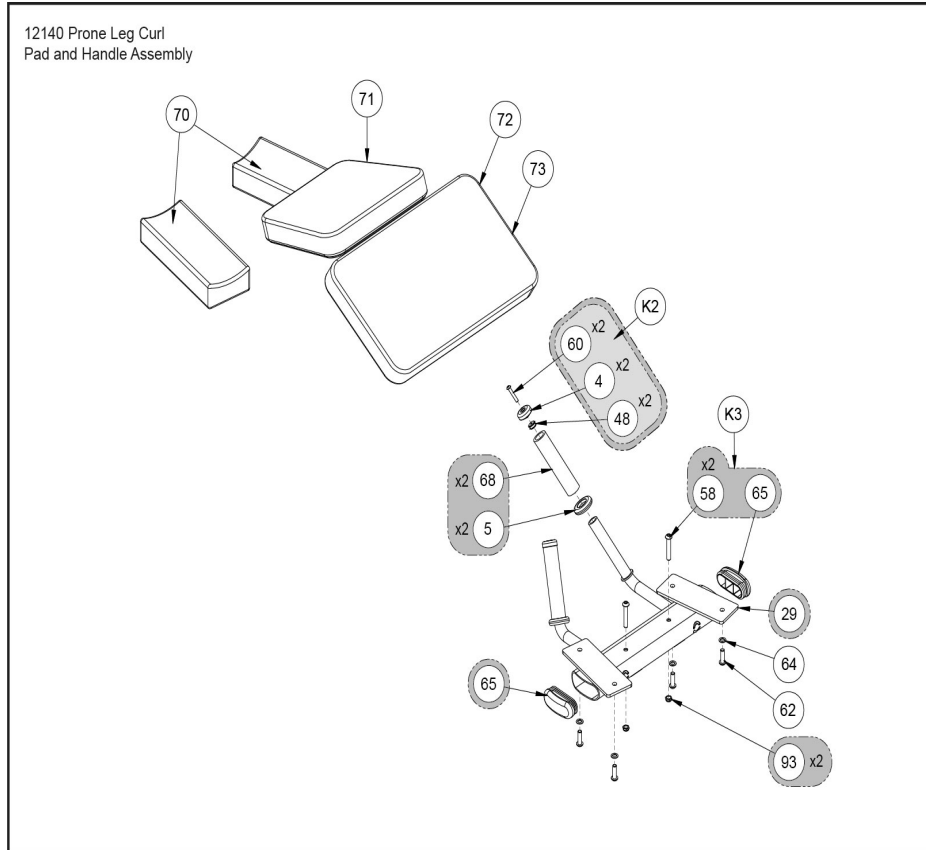
Ref #	Part Number	Qty	Description
47	HC700430	2	BHSCS .375-16 X 2.50
50	HH320030	1	KEY .313 SQ X 2.50
51	HS307601	2	WASH FLAT .281 .500 .062 T
52	HS347600	2	WASHER SAE .375
55	HN625200	2	LOCKNUT .250-20 NYLON HVY
59	HY740000	2	SET SCREW
61	JC700412	2	BHSCS .375-16 X .50
63	JC780417	1	BHSCS .500-13 X 1.00
64	JS347400	2	LOCKWASHER INT TOOTH .375
65	PP130002	2	INSERT DOMED PLASTIC
66	PP130003	1	INSERT PLASTIC
69	PU060201	1	BUMPER
74	4800-196	1	COVERED CUSHION AS CONTOUR 20 Custom
75	4800-199	1	WEAR COVER CS Custom
77	8500-025	1	DECAL CAUTION Custom
89	PP660006	4	PLUG SNAP IN

12140 Frame Assembly



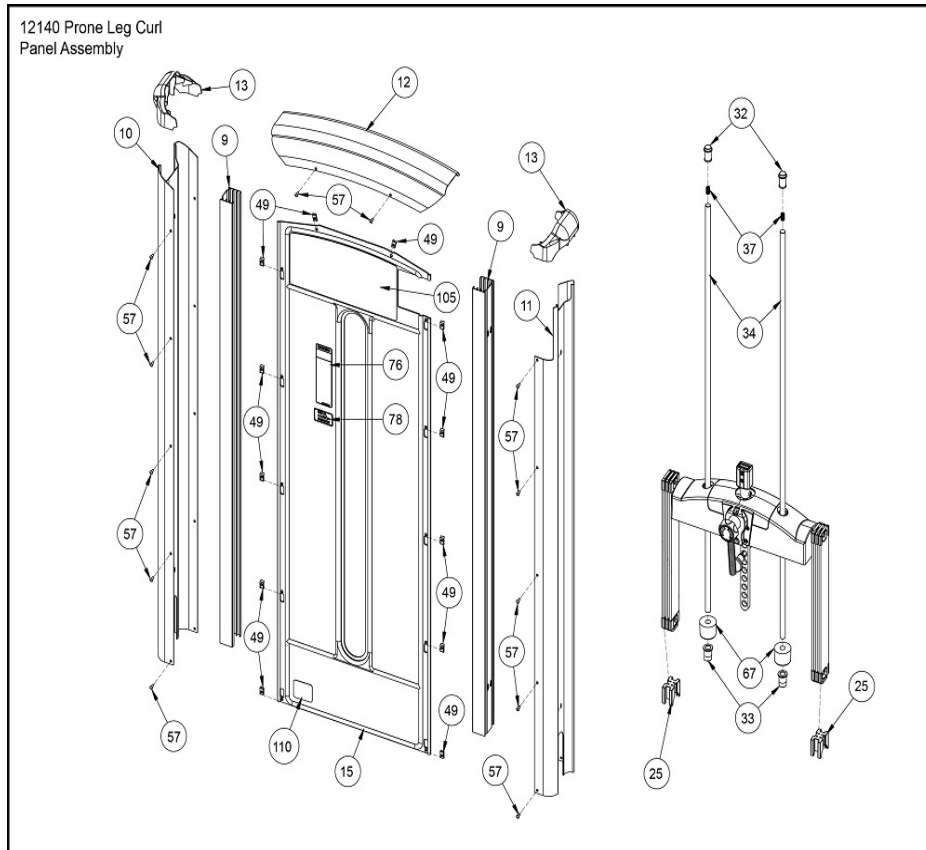
Ref #	Part Number	Qty	Description
K1	12000K017	1	Kit Water Bottle Holder
8	12000-467	1	PULLEY COVER
14	12000-398	4	SPACER
26A	12140-200	1	W MAIN FRAME Custom
26B	12148-200	1	W Main Frame Custom
31	12140-206	1	W/CAM STOP Custom
38	CM000211	1	DECAL PATENT
40	FB030249	2	BEARING RADIAL 35MM EXT RACE
41	FC030009	2	TOLERANCE RING 72MM
45	HC700417	3	BHSCS .375-16 X 1.00
47	HC700430	4	BHSCS .375-16 X 2.50
53	HT512517	10	TAP SC 10-24 X 1.00 TYPE WB PN HD PHIL BLK
54	HT570410	4	SCREW PNH TORX 10-24X.375 BLACK
56	HN704901	5	LOCKNUT .375-16 NYLON
64	JS347400	4	LOCKWASHER INT TOOTH .375
66	PP130003	4	INSERT PLASTIC
107	13000-402	1	Mount Water Bottle Holder
108	13000-400	1	Holder Water Bottle
109	HT552515	1	TAP SC NO. 8-16 X .75 PLASTITE PN HD PHIL BLK

12140 Pad and Handle Assembly



Ref #	Part Number	Qty	Description
K2	11090K006	1	KIT HANDLE TRIM RING
4	11090-374	2	END CAP
29	12140-204	2	W/HANDLE BAR Custom
48	HF449063	1	INSERT 3-4X1-4-20 CONNECTOR
58	HX700428	4	BHSCS .375-16 x 2.25 SS
60	JC620422	2	BHSCS .250-20 X 1.50
62	JC700420	2	BHSCS .375-16 X 1.25
64	JS347400	4	LOCKWASHER INT TOOTH .375
66	PP130003	4	INSERT PLASTIC
68	4605-500	2	GRAB GRIP 6.00
70	4800-017	2	CUSHION SA 5 X 12 Custom
71	5245-011	1	CUSHION SA TPR 12 X 14 Custom
72	4800-029	1	COVERED CUSHION SA 12 X 20 Custom
73	4800-098	1	WEAR COVER SA 12 X 20 Custom

12140 Panel Assembly



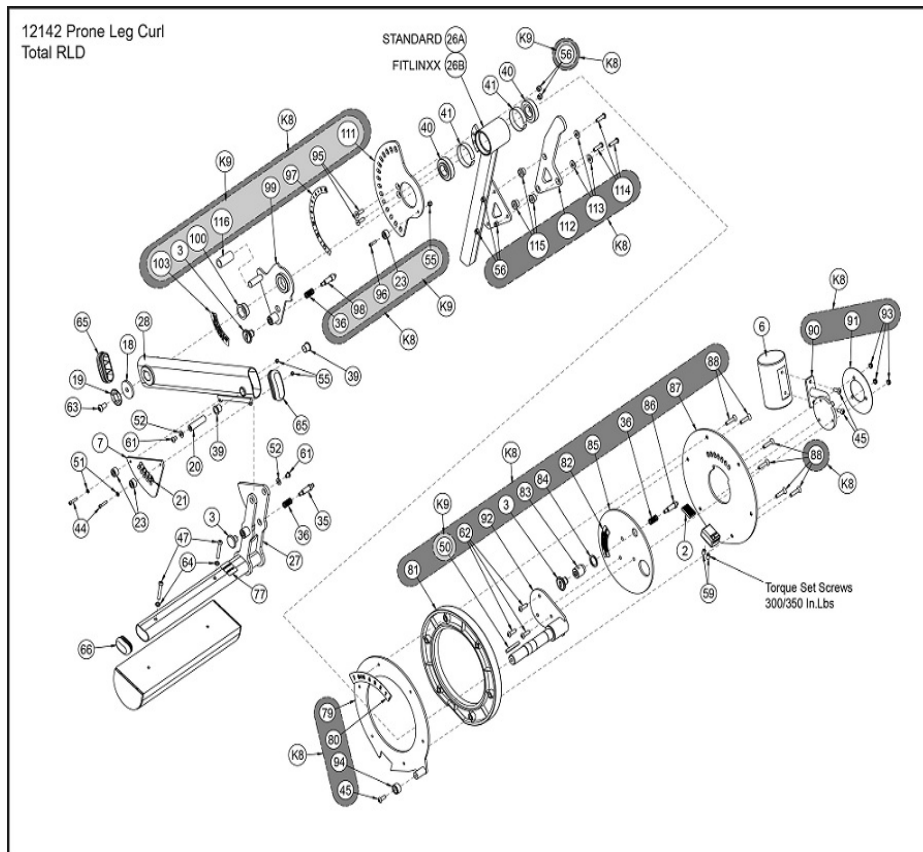
Ref #	Part Number	Qty	Description
9	12000-387	2	EXTRUSION INC WT CHANNEL
10	12000-392	1	CHANNEL INCREMENT WEIGHT
11	12000-393	1	CHANNEL INCREMENT WEIGHT
12	12000-395	1	CAP TOP
13	12000-396	2	END CAP
15	12000-417	1	Panel Insert
25	12102-330	2	INSERT INCREMENT WEIGHT
32	12210-347	2	CAP GUIDE ROD
33	12210-348	2	CAP GUIDE ROD
34	12210-350	2	WT ROD .625 DIA X 49.53
37	BS070208	2	COMP SPRING .396 ID X .480 OD X 1.50 LG
49	HF579000	12	PANEL FASTENER 10-24 U TYPE
57	HX570412	12	BHSCS 10-24 X .50 SS
67	PR060005	2	BUMPER WEIGHT
76	DE000001	1	Decal Warning Custom
78	DE000005	1	Decal Caution Custom
105	12140-598	1	Placard VR3 Prone Leg
110	11040-790	1	NLA: DECAL, MADE IN THE USA

12140 Parts Not Shown



Ref #	Part Number	Qty	Description
K6	12000K019	1	Kit Hardware VR3

12142 Total RLD



Ref #	Part Number	Qty	Description
2	11040-301	1	INSERT CLAMP BLOCK
3	11040-440	3	KNOB
6	11070-332	1	C COUNTERWEIGHT
7	11140-322	1	P DETENT PLATE
K8	12140K003	8	Kit Non to Total RLD Custom
K9	12140K004	4	Kit Start to Total RLD Custom
14	12000-398	1	SPACER
18	12050-343	1	WASHER
19	12050-355	1	DECAL ROTATION
20	12060-346	1	PIN PIVOT
21	12060-356	1	DECAL ADJUSTING
23	12100-303	3	BUMPER
26B	12148-200	1	W Main Frame Custom
26A	12140-200	1	W MAIN FRAME Custom
27	12140-201	1	W CUSHION ARM Custom
28	12140-202	1	W INPUT ARM Custom
35	8510-366	1	P DETENT PIN
36	BS070201	3	COM SPRING .56 ID X .66 OD X 1.50 LG
39	FB130212	2	BUSHING FLANGE FOOTPLATE.75ID
40	FB030249	2	BEARING RADIAL 35MM EXT RACE
41	FC030009	2	TOLERANCE RING 72MM
44	HC622820	2	SHCS .250-20 X 1.25

Ref #	Part Number	Qty	Description
45	HC700417	3	BHSCS .375-16 X 1.00
47	HC700430	2	BHSCS .375-16 X 2.50
50	HH320030	1	KEY .313 SQ X 2.50
51	HS307601	2	WASH FLAT .281 .500 .062 T
52	HS347600	2	WASHER SAE .375
55	HN625200	3	LOCKNUT .250-20 NYLON HVY
56	HN704901	5	LOCKNUT .375-16 NYLON
59	HY740000	2	SET SCREW
61	JC700412	2	BHSCS .375-16 X .50
62	JC700420	3	BHSCS .375-16 X 1.25
63	JC780417	1	BHSCS .500-13 X 1.00
64	JS347400	2	LOCKWASHER INT TOOTH .375
65	PP130002	2	INSERT DOMED PLASTIC
66	PP130003	1	INSERT PLASTIC
77	8500-025	1	DECAL CAUTION Custom
79	12140-203	1	W/CAM MOUNT
80	12060-354	1	DECAL ADJUSTMENT
81	11050-333	1	CAM
82	12050-377	1	DECAL START RLD Custom
83	11050-407	1	RETAINER
84	11050-408	1	SPACER
85	12140-327	1	Plate Eccentric
86	08229	1	P PIN DETENT
87	12140-209	1	W/CAM PLATE
88	JC700924	6	FHSCS .375-16 X 1.75
90	12140-207	1	W/COUNTERWEIGHT MOUNT Custom
91	12102-339	1	STOP GUARD
92	12140-208	1	C PIVOT SHAFT
93	HN704902	3	LOCKNUT NYLON .375-16
94	FB030239	1	CAM FOLLOWER 10 MM
95	JC700920	2	FHSCS .375-16 X 1.25
96	HC622817	1	SHCS .250-20 X 1.00
97	12060-321	1	DECAL CAM STOP
98	4505-329	1	PIN DETENT
99	12060-202	1	W STOP PLATE Custom
100	FB130213	1	BRG FLG 1.375 X 1.625 X .75 LG
103	12050-378	1	DECAL TOTAL RLD Custom
111	12060-355	1	PLATE DETENT
112	12140-328	1	Roller Stop
113	HS347700	3	WASHER USS .375
114	JC700422	3	BHSCS .375-16 X 1.50
115	PR740300	3	MOUNT CENTER BONDED
116	13061-307	1	Grip 3.00

