

VR3 ROTARY TORSO

12490-01

Parts Manual

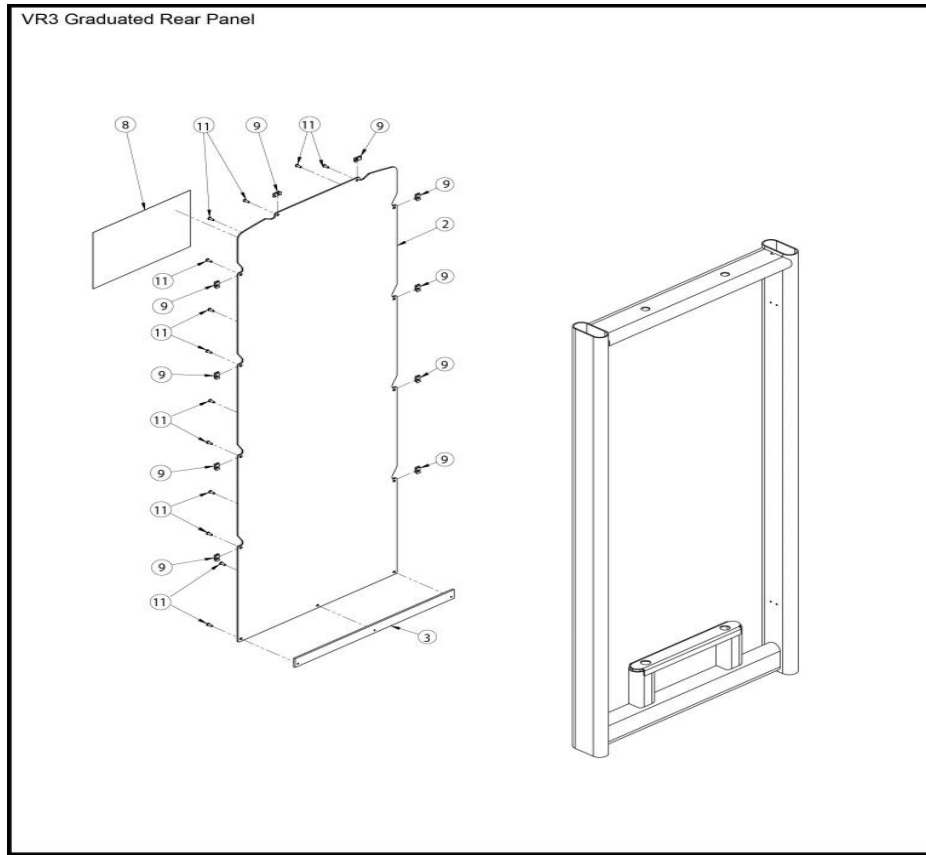
1/5/2019 2:36:05 AM



Table of Contents

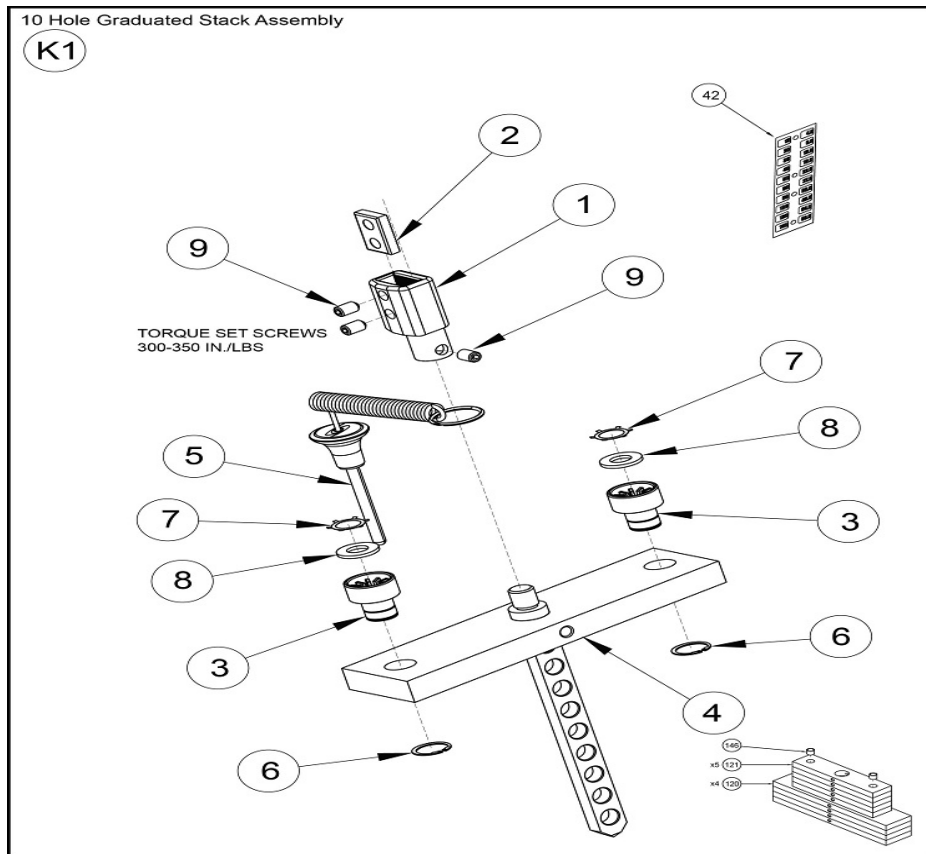
VR3 Graduated Back Panel (12000-375)	3
VR3 - 10 Hole Graduated Stack Assembly	4
12190 Belt Routing	5
12190 Cushion Assembly	6
12190 Foot Plate Cam Assembly	7
12190 Foot Plate Pads Assembly	9
12190 Frame Assembly	10
12190 Panel Assembly	12
12190 Parts Not Shown	13
12190 Pivot Assembly	14
12200, 12210, 12500, 12510 Planet Shrouds with 12000-375 (New Style)	16
12200, 12210, 12500, 12510 Planet Shrouds with 12000-375 (Old Style)	17
12200, 12210, 12500, 12510 You Fit Shrouds with 12000-375	18

VR3 Graduated Back Panel (12000-375)



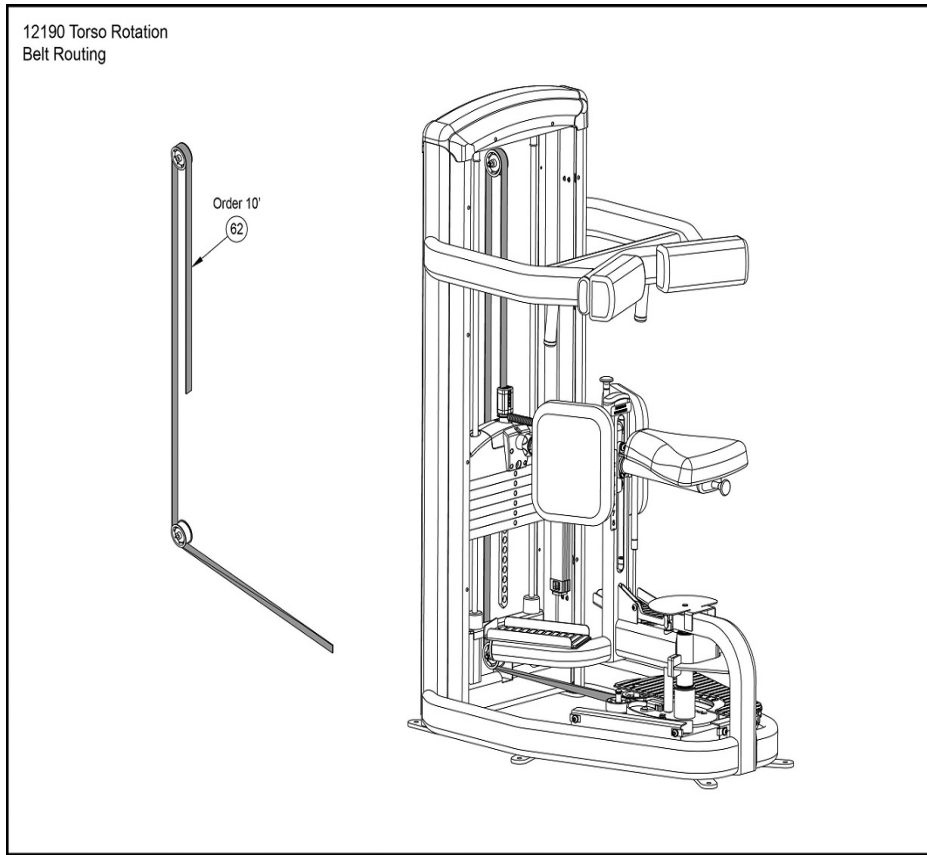
Ref #	Part Number	Qty	Description
2	12000-375	1	PANEL INSERT
3	12000-378	1	SUPPORT
8	3900-441	1	DECAL CYBEX VER BLACK
9	HF579000	10	PANEL FASTENER 10-24 U TYPE
11	HX570412	13	BHSCS 10-24 X .50 SS

VR3 - 10 Hole Graduated Stack Assembly



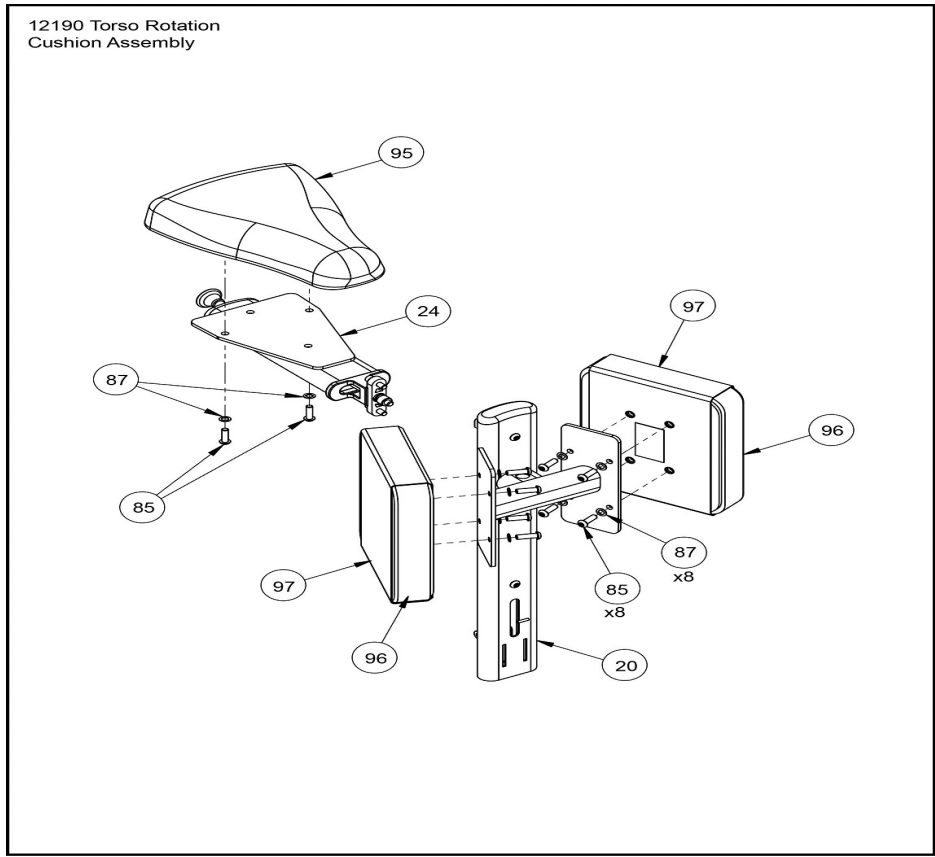
Ref #	Part Number	Qty	Description
K1	12301-006	1	Top Weight Assy 10
1	11040-216	1	P BELT CLAMP
2	11040-301	1	INSERT CLAMP BLOCK
3	13000-364	2	BEARING FLNG .62 ID X .92 OD X 1.75 LG
4	4700-265	1	C Top WT 10-3X12
5	BH030207	1	PIN WEIGHT SELECTOR
6	BR030206	2	RETAINING RING
7	BR030220	2	RETAINING RING 1.250 INTERNAL
8	HS720004	2	WASHER FELT .641 ID X 1.250 OD X .125 T
9	HY740000	3	SET SCREW
42	12301-551	1	DECAL, WT PLATE GRADUATED (10-140)
120	4000C101	4	C STACK WT 4X18
121	4700-337	5	C Stack Weight 10 lbs exact
146	FB130216	2	Bushing Weight Stack

12190 Belt Routing



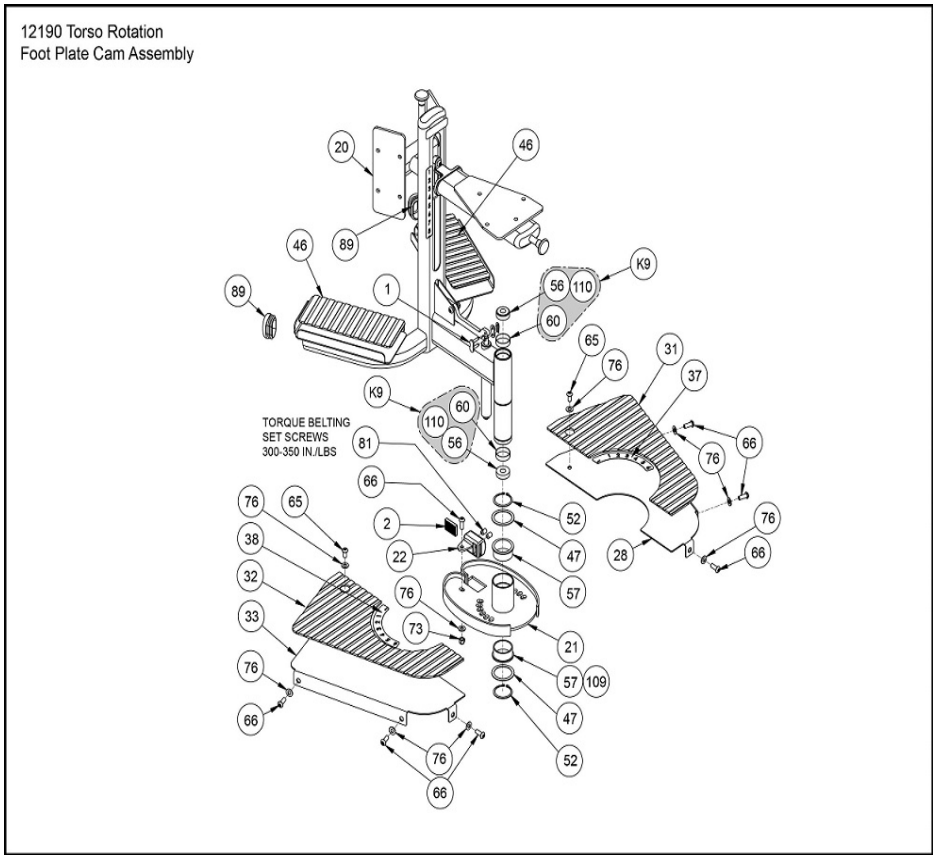
Ref #	Part Number	Qty	Description
62	GB000202	1	BELT .95 WIDE

12190 Cushion Assembly



Ref #	Part Number	Qty	Description
20	12190-202	1	W PIVOT Custom
24	12190-206	1	W SEAT Custom
85	JC700420	10	BHSCS .375-16 X 1.25
87	JS347400	10	LOCKWASHER INT TOOTH .375
95	4800-172	1	CUSHION SA BIKE 15in MOLDED Custom
96	4201S065-0	2	COVERED CUSHION SA 10 X 12 Custom
97	4201S076-0	1	WEAR COVER SA 10 X 12 Custom

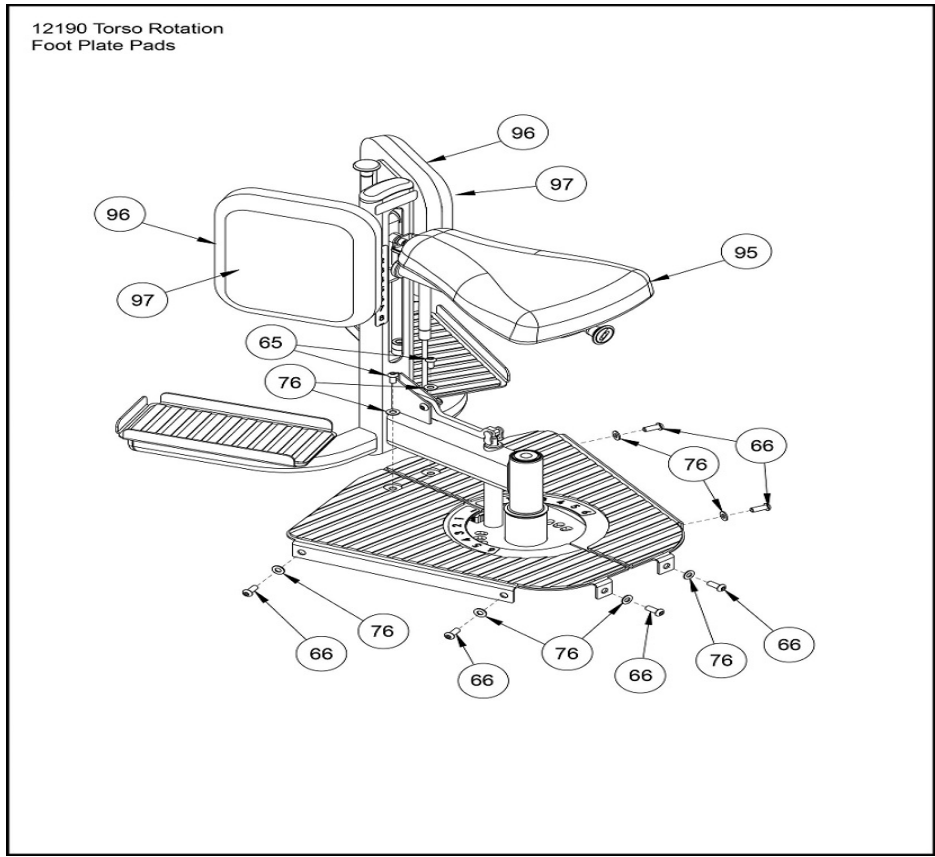
12190 Foot Plate Cam Assembly



Ref #	Part Number	Qty	Description
1	01989	1	CONNECTING LINK SINGLE
2	11040-301	1	INSERT CLAMP BLOCK
K9	12190K003	2	KIT, PIVOT SHAFT REPLACEMENT Custom
20	12190-202	1	W PIVOT Custom
21	12190-203	1	P CAM
22	12190-204	1	C BELT CLAMP
28	12190-333	1	GUARD Custom
31	12190-348	1	NON-SLIP
32	12190-349	1	NON-SLIP
33	12190-351	2	GUARD Custom
37	12190-358	1	DECAL START POSITION
38	12190-359	1	DECAL START POSITION
46	4710-321	2	NON-SLIP
47	4715-336	2	P WASHER
52	BR030213	2	RETAINING RING 2.00 EXTERNAL
56	FB030240	2	BEARING TAPERED ROLLER
57	FB130206	2	BRG FLG 2.00 X 2.25 1.00 LG
60	FC030013	2	TOLERANCE RING 1.575 ID
65	HC700415	2	BHSCS .375-16 X .75
66	HC700417	7	BHSCS .375-16 X 1.00
73	HN704901	1	LOCKNUT .375-16 NYLON
76	HS347600	9	WASHER SAE .375

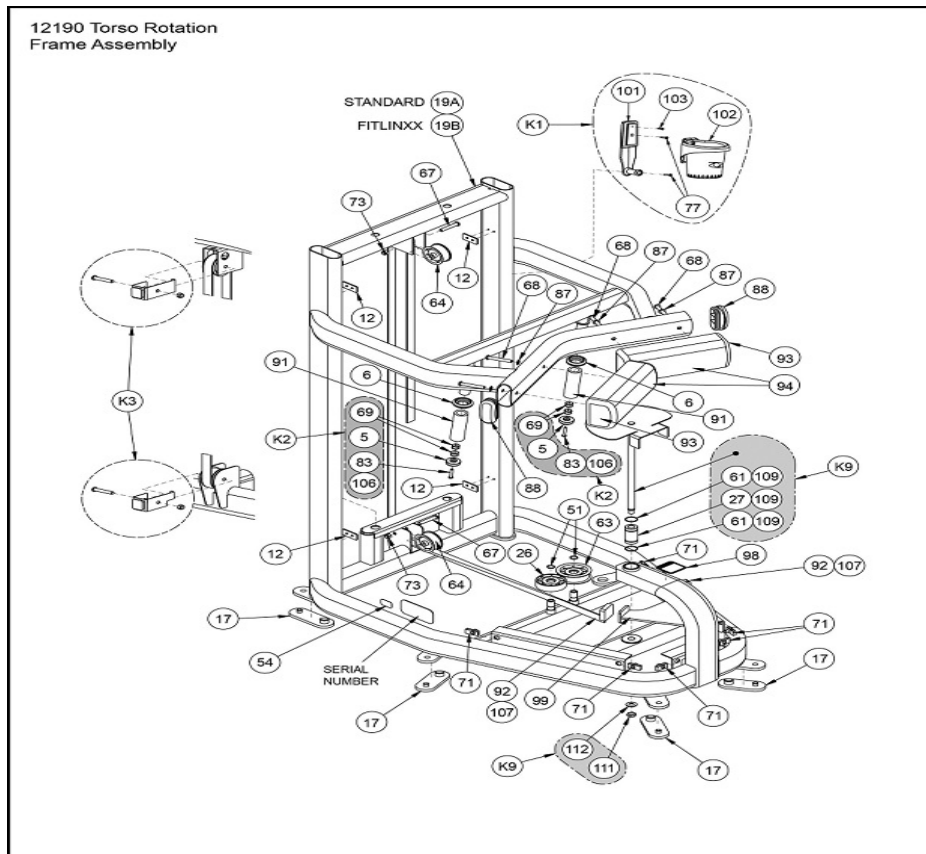
Ref #	Part Number	Qty	Description
81	HY740000	1	SET SCREW
89	PP130003	2	INSERT PLASTIC

12190 Foot Plate Pads Assembly



Ref #	Part Number	Qty	Description
65	HC700415	1	BHSCS .375-16 X .75
66	HC700417	8	BHSCS .375-16 X 1.00
76	HS347600	10	WASHER SAE .375
95	4800-172	1	CUSHION SA BIKE 15in MOLDED Custom
96	4201S065-0	2	COVERED CUSHION SA 10 X 12 Custom
97	4201S076-0	2	WEAR COVER SA 10 X 12 Custom

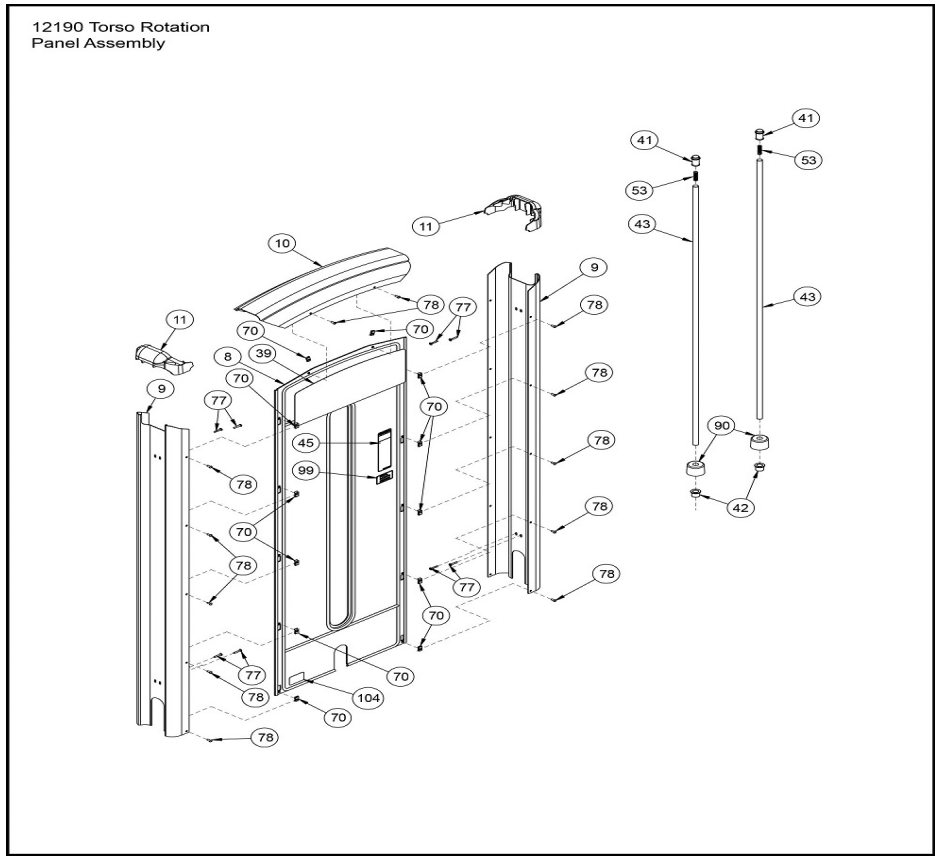
12190 Frame Assembly



Ref #	Part Number	Qty	Description
K1	12000K017	1	Kit Water Bottle Holder
K2	11090K006	2	KIT HANDLE TRIM RING
K3	12190K002	2	KIT VR3 TORSO BUMPER
5	11090-374	2	END CAP
6	11090-376	2	RING HANDLE GRIP
K9	12190K003	2	KIT, PIVOT SHAFT REPLACEMENT Custom
12	12000-398	3	SPACER
17	12090-322	4	PAD FOOT
19B	12198-200	1	W MAIN FRAME Custom
19A	12190-200	1	W FRAME Custom
26	12190-306	1	PULLEY ASSEMBLY 3.00 (FLAT)
27	12190-310	1	SLEEVE
51	BR030210	2	RETAINING RING 17 MM
54	CM000211	1	DECAL PATENT
61	FO100010	2	O RING 1.049 ID X .103 W
63	GP000212	2	PULLEY ASSEMBLY-3.50
64	GP000214	2	PULLEY ASSEMBLY-2.75
67	HC700428	2	BHSCS .375-16 X 2.25
68	HC700430	3	BHSCS .375-16 X 2.50
69	HF449063	4	INSERT 3-4X1-4-20 CONNECTOR
71	HF700000	6	PANEL FASTNER .375-16 U TYPE
73	HN704901	2	LOCKNUT .375-16 NYLON

Ref #	Part Number	Qty	Description
76	HS347600	1	WASHER SAE .375
77	HT512517	2	TAP SC 10-24 X 1.00 TYPE WB PN HD PHIL BLK
83	JC620422	2	BHSCS .250-20 X 1.50
84	JC700412	1	BHSCS .375-16 X .50
87	JS347400	3	LOCKWASHER INT TOOTH .375
88	PP130002	2	INSERT DOMED PLASTIC
91	4605-510	2	GRAB GRIP 4.75
92	PU060204	2	BUMPER
93	4800-023	2	COVERED CUSHION Custom
94	4800-095	2	WEAR COVER Custom
98	4520-362	1	DECAL SEAT CAUTION Custom
101	13000-402	1	Mount Water Bottle Holder
102	13000-400	1	Holder Water Bottle
103	HT552515	1	TAP SC NO. 8-16 X .75 PLASTITE PN HD PHIL BLK
111	HN784901	1	Locknut .500-13 Nylon Thin
112	HS387700	1	WASHER SAE .500

12190 Panel Assembly



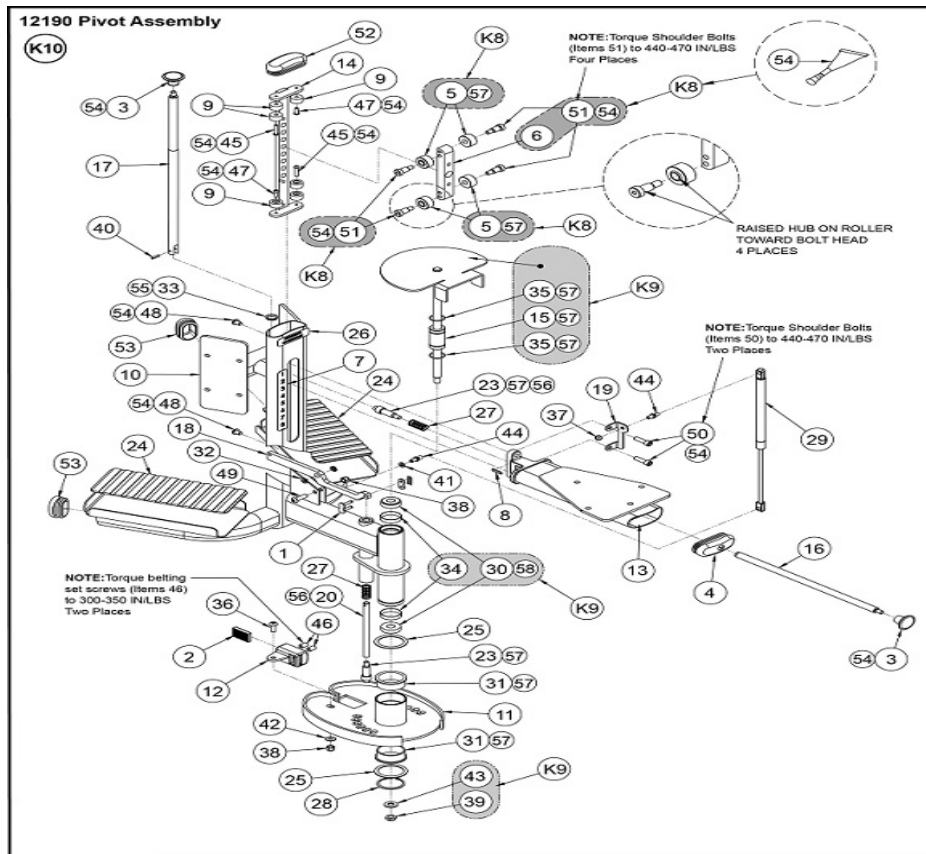
Ref #	Part Number	Qty	Description
8	12000-380	1	PANEL INSERT
9	12000-392	2	CHANNEL INCREMENT WEIGHT
10	12000-395	1	CAP TOP
11	12000-396	2	END CAP
39	12190-598	1	Placard VR3 Torso
41	12210-347	2	CAP GUIDE ROD
42	12210-348	2	CAP GUIDE ROD
43	12210-350	2	WT ROD .625 DIA X 49.53
45	DE000001	1	Decal Warning Custom
53	BS070208	2	COMP SPRING .396 ID X .480 OD X 1.50 LG
70	HF579000	12	PANEL FASTENER 10-24 U TYPE
77	HT512517	8	TAP SC 10-24 X 1.00 TYPE WB PN HD PHIL BLK
78	HX570412	12	BHSCS 10-24 X .50 SS
90	PR060005	2	BUMPER WEIGHT
99	DE000005	1	Decal Caution Custom
104	11040-790	1	NLA: DECAL, MADE IN THE USA

12190 Parts Not Shown



Ref #	Part Number	Qty	Description
K7	12000K019	1	Kit Hardware VR3

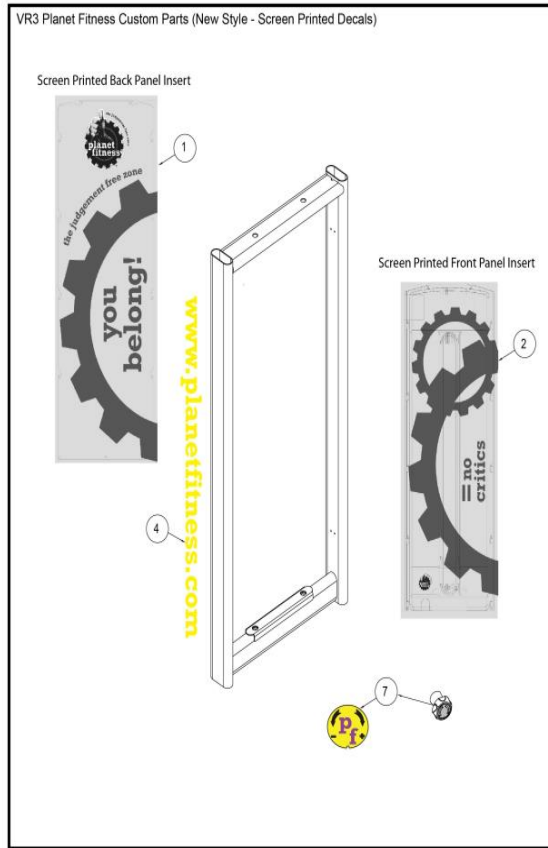
12190 Pivot Assembly



Ref #	Part Number	Qty	Description
1	01989	1	CONNECTING LINK SINGLE
2	11040-301	1	INSERT CLAMP BLOCK
3	11040-440	1	KNOB
4	12000-344	1	INSERT PLASTIC
5,6,K8	12000K012	9	KIT. ROLLER ASSEMBLY
7	12070-329	1	DECAL ADJUSTING
8	12070-394	1	DECAL INDICATOR
9	12100-303	4	BUMPER
K9	12190K003	2	KIT, PIVOT SHAFT REPLACEMENT Custom
K10	12190K004	1	KIT, PIVOT ASSEMBLY REPLACEMENT
10	12190-202	1	W PIVOT Custom
11	12190-203	1	P CAM
12	12190-204	1	C BELT CLAMP
13	12190-206	1	W SEAT Custom
14	12190-208	1	P DETENT BAR
15	12190-310	1	SLEEVE
16	12190-341	1	SHAFT EXTENSION
17	12190-344	1	ROD
18	12190-353	1	BAR PIVOT
19	12190-354	1	MOUNT GAS SPRING
20	12190-357	1	SHAFT EXTENSION
23	4505-329	2	PIN DETENT

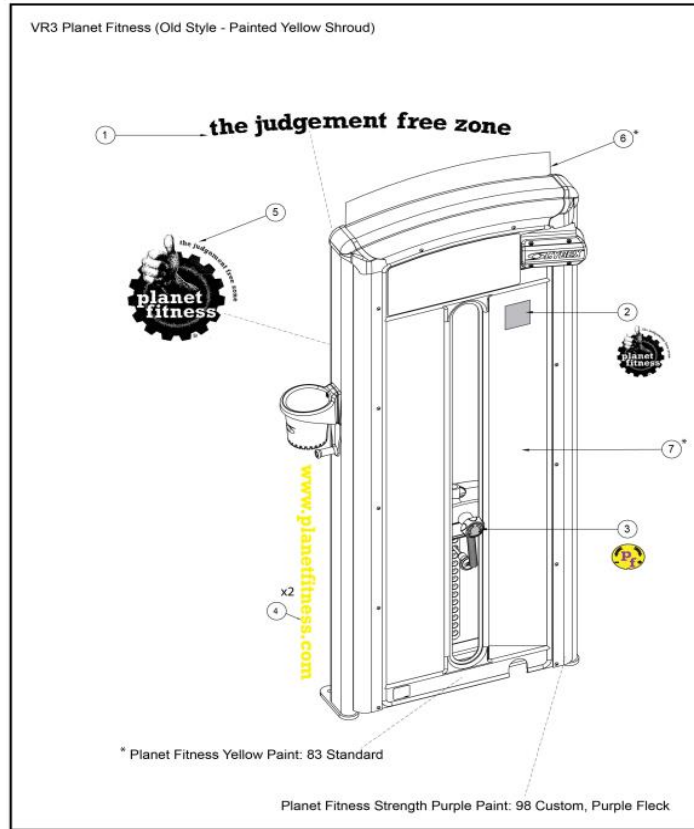
Ref #	Part Number	Qty	Description
24	4710-321	2	NON-SLIP
25	4715-336	2	P WASHER
26	4715-341	1	DECAL DETENT
27	4715-346	2	COM SPRING .72 X 1.50 LG
28	BR030213	1	RETAINING RING 2.00 EXTERNAL
29	EZ000008	1	GAS SPRING 100N
30	FB030240	2	BEARING TAPERED ROLLER
31	FB130206	2	BRG FLG 2.00 X 2.25 1.00 LG
32	FB130209	1	BRG FLG .375 X .500 X .125
33	FB130210	1	BRG NYLINER
34	FC030013	2	TOLERANCE RING 1.575 ID
35	FO100010	2	O RING 1.049 ID X .103 W
36	HC700417	1	BHSCS .375-16 X 1.00
37	HN664900	1	LOCKNUT .312-18 NYLON INSERT
38	HN704901	2	LOCKNUT .375-16 NYLON
39	HN784901	1	Locknut .500-13 Nylon Thin
40	HP286715	1	ROLL PIN .188 X .75
41	HS328300	1	LOCKWASHER SPLIT .312
42	HS347600	1	WASHER SAE .375
43	HS387700	1	WASHER SAE .500
44	HX-60184	3	BALL,STUD,5/16 -18X10MM
45	HX620420	3	BHSCS .250-20 X 1.250
46	HY740000	1	SET SCREW
47	JC620415	3	BHSCS .250-20 X .75
48	JC700412	2	BHSCS .375-16 X .50
49	JC700420	1	BHSCS .375-16 X 1.25
50	JC702820	2	SHCS .375-16 X 1.25
51	JD383315	4	S BOLT .500 X .75 .375-16
52	PP130002	1	INSERT DOMED PLASTIC
53	PP130003	2	INSERT PLASTIC

12200, 12210, 12500, 12510 Planet Shrouds with 12000-375 (New Style)



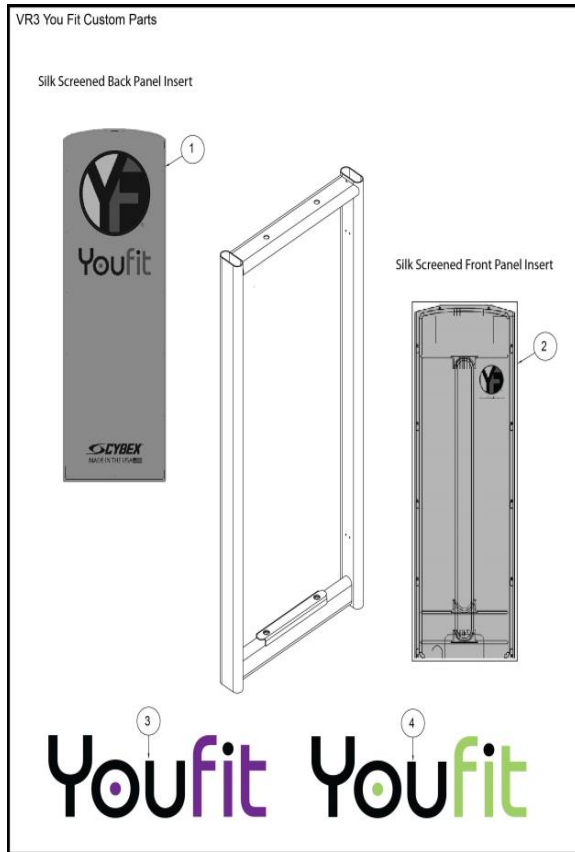
Ref #	Part Number	Qty	Description
1	12000-375P	1	BACK PANEL INSERT, PLANET FITNESS
2	12000-399P	1	Panel insert, Planet Fitness
4	DE-60251	1	WWW.PLANETFITNESS.COM DECAL (YELLOW)
7	DE-60231	1	DECAL ROTATION PLANET FITNESS

12200, 12210, 12500, 12510 Planet Shrouds with 12000-375 (Old Style)



Ref #	Part Number	Qty	Description
1	DE-60232	1	DECAL JUDGEMENT FREE ZONE
2	DE-60233	1	DECAL THUMBS UP 3 INCH PLANET FITNESS
3	DE-60231	1	DECAL ROTATION PLANET FITNESS
4	DE-60251	1	WWW.PLANETFITNESS.COM DECAL (YELLOW)
5	DE-60235	1	DECAL THUMBS UP 13 INCH PLANET FITNESS
6	12000-375Y	1	BACK PANEL INSERT YELLOW
7	12000-399Y	1	PANEL INSERT YELLOW

12200, 12210, 12500, 12510 You Fit Shrouds with 12000-375



Ref #	Part Number	Qty	Description
1D	12000-375YP	1	BACK PANEL INSERT, YOUFIT PURPLE
1A	12000-375GY	1	BACK PANEL INSERT, YOUFIT GREEN
1C	12000-375PY	1	BACK PANEL INSERT, YOUFIT PURPLE
1B	12000-375YG	1	BACK PANEL INSERT, YOUFIT GREEN
2A	12000-399GY	1	PANEL INSERT, YOUFIT GREEN
2B	12000-399YP	1	PANEL INSERT, YOUFIT PURPLE
3	DE-60274	1	DECAL, YOUFIT PURPLE
4	DE-60275	1	DECAL, YOUFIT GREEN

