

# VR3 LEG EXTENSION

12650-01

## Parts Manual

1/5/2019 2:36:39 AM

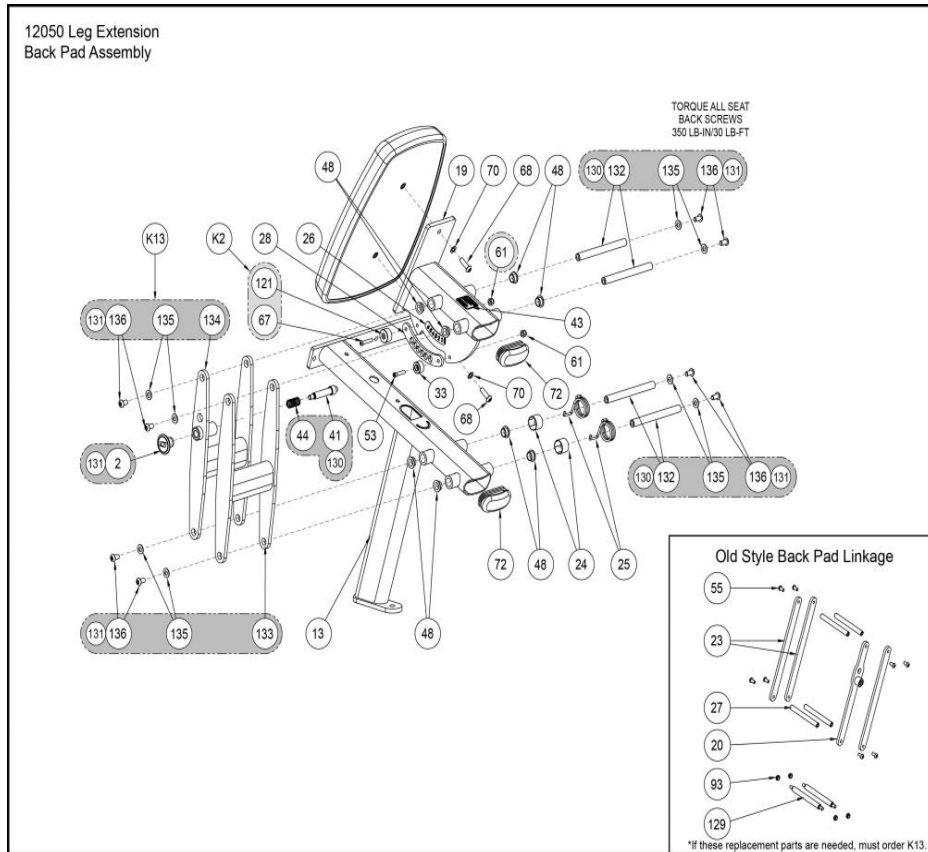


**Table of Contents**

---

[12050 Back Pad Assembly.....](#)3  
[12650 Belt Routing Detail.....](#)5  
[12650 Frame Assembly.....](#)6  
[12650 Panel Assembly.....](#)8  
[12650 Seat Mount Assembly.....](#)9  
[12650 Top Weight Assembly.....](#)10  
[12650 Weight Stack Detail.....](#)11

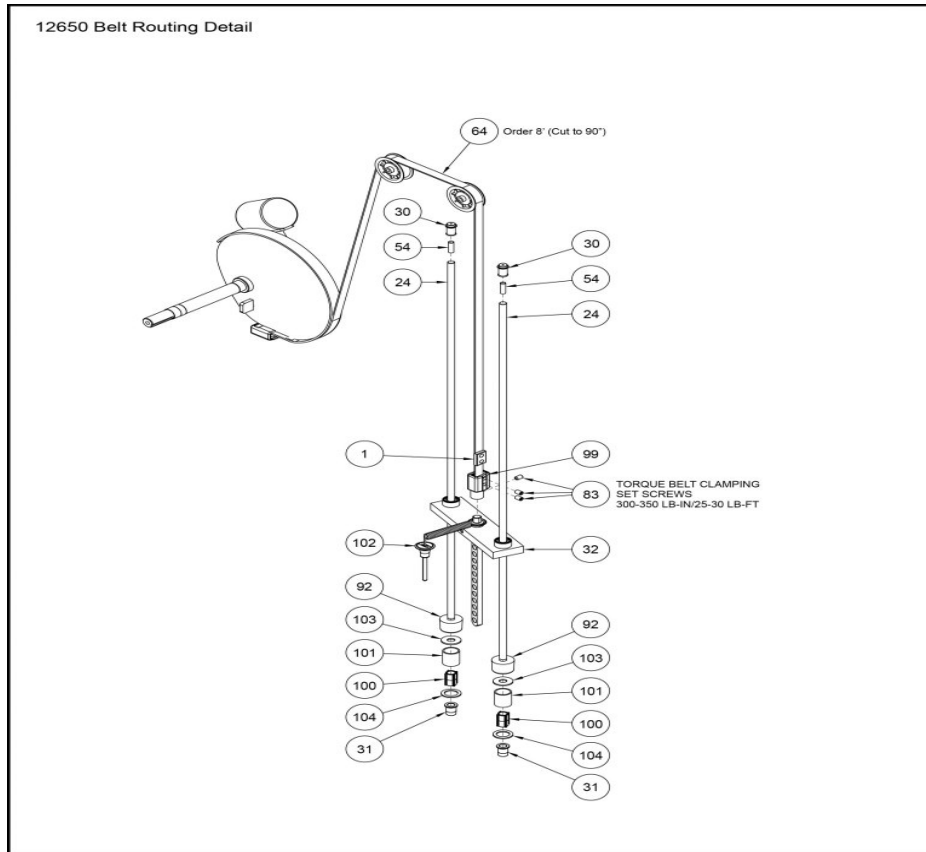
# 12050 Back Pad Assembly



Ref #	Part Number	Qty	Description
2	11040-440	1	KNOB
K2	12050K007	1	KIT, BUMPER REPLACEMENT
K13	12050K009	1	KIT, SEAT BAR LINKAGE Custom
13	12050-200	1	W MAIN FRAME Custom
19	12050-212	1	W SEAT BACK Custom
20	12050-213	1	NLA: W DETENT LINK
23	12050-368	2	NLA: LINK SEAT MOUNT
24	12050-369	2	ENDCAP
25	12050-370	2	SPRING TORSION
26	12050-374	1	DECAL SEAT ADJUST
27	12050-375	1	NLA: PIN PIVOT
28	12050-380	1	P DETENT PLATE
33	12100-303	1	BUMPER
41	4713-318	1	PIN DETENT
43	8500-025	1	DECAL CAUTION Custom
44	BS070201	1	COM SPRING .56 ID X .66 OD X 1.50 LG
48	FB130205	8	BRG FLG .62 X .75 .38 LG
53	HC622820	1	SHCS .250-20 X 1.25
55	HC700417	1	BHSCS .375-16 X 1.00
61	HN625200	2	LOCKNUT .250-20 NYLON HVY
67	JC620422	1	BHSCS .250-20 X 1.50
68	JC700420	2	BHSCS .375-16 X 1.25

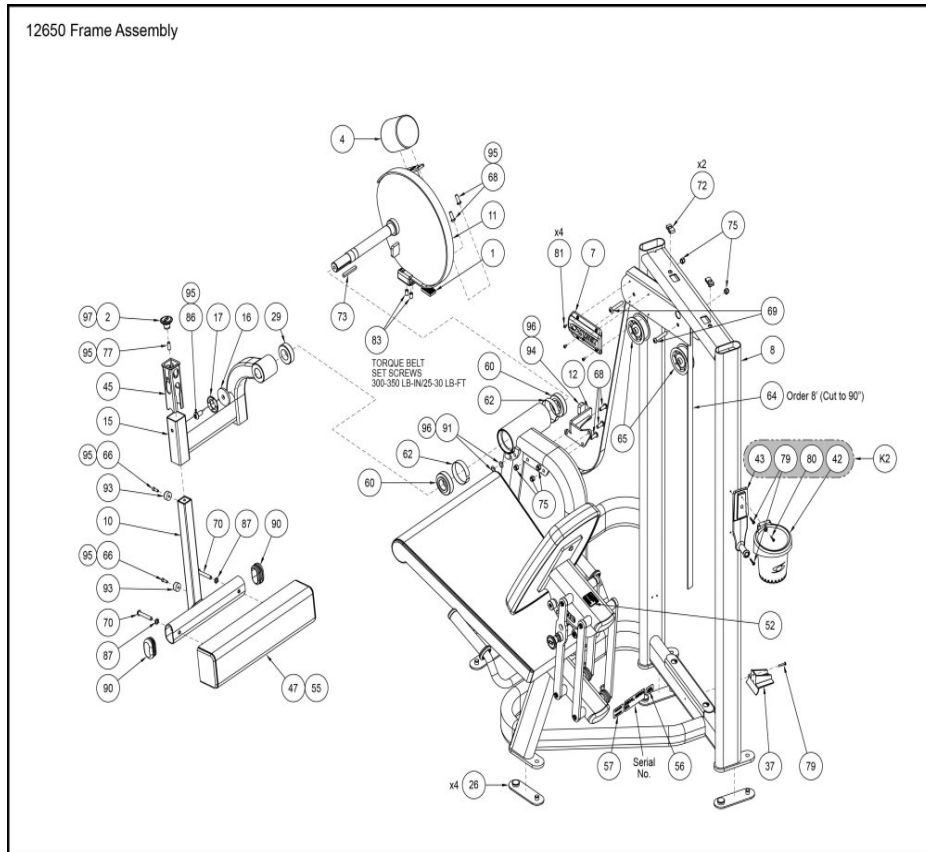
Ref #	Part Number	Qty	Description
70	JS347400	2	LOCKWASHER INT TOOTH .375
72	PP130002	1	INSERT DOMED PLASTIC
93	HN704902	1	LOCKNUT NYLON .375-16
107	4800-176	1	CUSHION SA BACK 18 MOLDED Custom
121	12100-312	1	BUMPER
129	12600-305	1	NLA: PIVOT SHAFT
132	12000-480	4	PIN, PIVOT
133	12000-211	1	W DETENT LINK Custom
134	12050-217	1	NLA: W DETENT LINK
135	HS347600	8	WASHER SAE .375
136	HC700415	8	BHSCS .375-16 X .75

# 12650 Belt Routing Detail



Ref #	Part Number	Qty	Description
1	11040-301	1	INSERT CLAMP BLOCK
24	12060-350	2	WT ROD .625 DIA X 54.63
30	12210-347	2	CAP GUIDE ROD
31	12210-348	2	CAP GUIDE ROD
32	12301-007	1	Top Weight Assy 15
54	BS070208	2	COMP SPRING .396 ID X .480 OD X 1.50 LG
64	GB000202	1	BELT .95 WIDE
83	HY740000	3	SET SCREW
92	PR060005	2	BUMPER WEIGHT
99	11040-216	1	P BELT CLAMP
100	12210-352	2	INSERT PLASTIC
101	12210-358	2	TUBE SPACER
102	BH030207	1	PIN WEIGHT SELECTOR
103	HS760106	2	WASH FLAT 1.750 .688 .140 T
104	JS497600	2	WASHER 1.19 ID X 1.75 OD X .12 THK

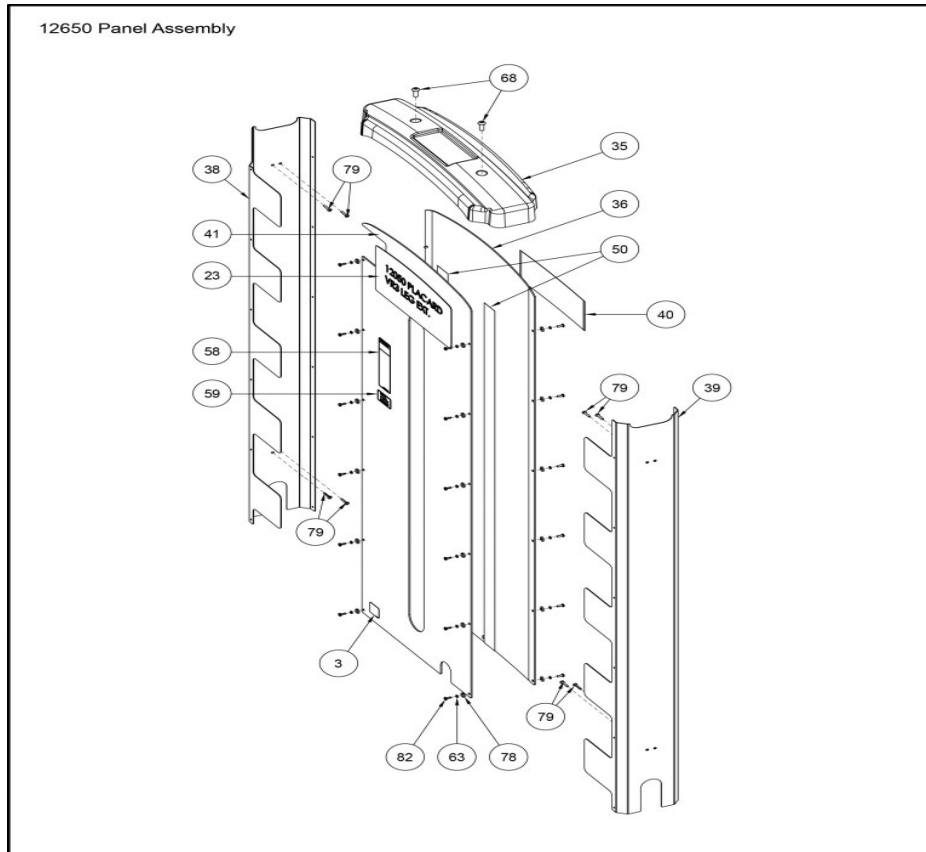
# 12650 Frame Assembly



Ref #	Part Number	Qty	Description
1	11040-301	1	INSERT CLAMP BLOCK
K2	12000K017	1	Kit Water Bottle Holder
2	11040-440	1	KNOB
4	11050-400	1	COUNTERWEIGHT 3.87
7	12000-466	1	PULLEY COVER
8	12050-200	1	W MAIN FRAME Custom
10	12050-202	1	W CUSHION BAR Custom
11	12050-210	1	W CAM Custom
12	12050-211	1	W STOP BRACKET Custom
15	12050-216	1	W INPUT ARM Custom
16	12050-343	1	WASHER
17	12050-355	1	DECAL ROTATION
26	12090-322	4	PAD FOOT
29	12101-300	1	SPACER
37	12600-394	1	PANEL SUPPORT BRACKET
42	13000-400	1	Holder Water Bottle
43	13000-402	1	Mount Water Bottle Holder
45	4605-511	1	INSERT PLASTIC 5.94
47	4800-006	1	COVERED CUSHION SA CONTOUR 20 Custom
52	8500-025	1	DECAL CAUTION Custom
55	4800-093	1	WEAR COVER SA 4.5 X 20 Custom
56	CM000211	1	DECAL PATENT

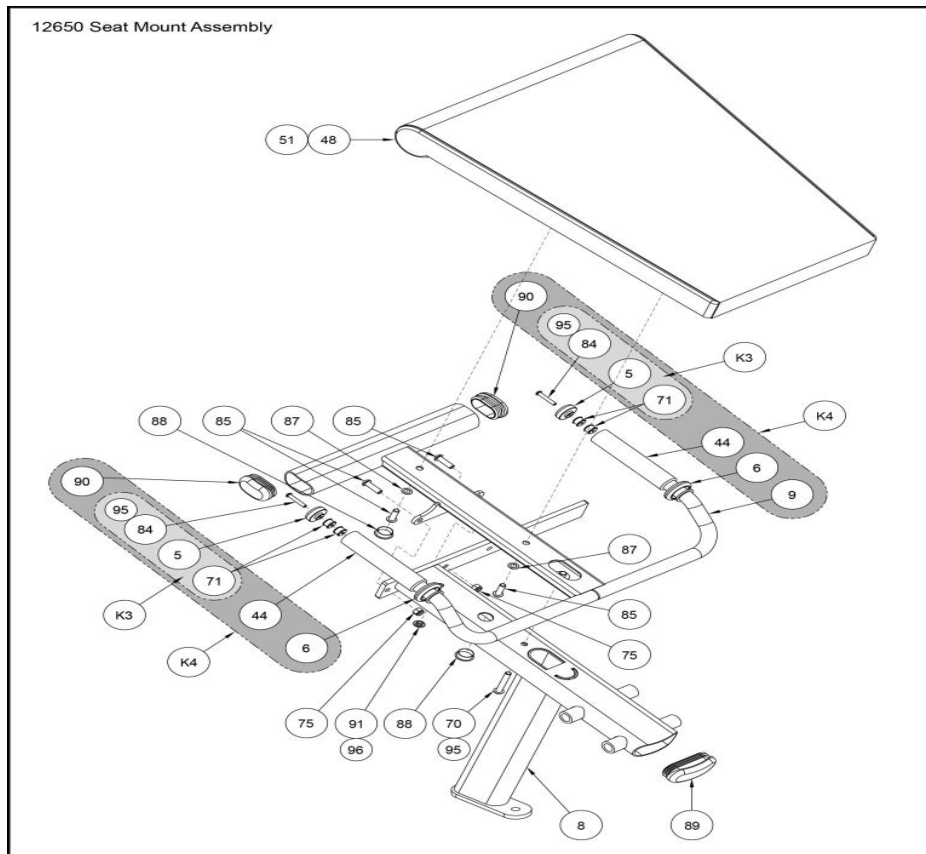
Ref #	Part Number	Qty	Description
57	CM000261	1	DECAL, CAPACITY
60	FB030249	2	BEARING RADIAL 35MM EXT RACE
62	FC030009	2	TOLERANCE RING 72MM
64	GB000202	1	BELT .95 WIDE
65	GP000209	2	PULLEY ASSEMBLY-3.50
66	HC622815	2	SHCS .250-20 X .750
68	HC700417	5	BHSCS .375-16 X 1.00
69	HC700428	2	BHSCS .375-16 X 2.25
70	HC700430	2	BHSCS .375-16 X 2.50
72	HF700000	2	PANEL FASTNER .375-16 U TYPE
73	HH320030	1	KEY .313 SQ X 2.50
75	HN704901	5	LOCKNUT .375-16 NYLON
77	HP707017	1	STUD .375-16 X 1.00
79	HT512517	3	TAP SC 10-24 X 1.00 TYPE WB PN HD PHIL BLK
80	HT552515	1	TAP SC NO. 8-16 X .75 PLASTITE PN HD PHIL BLK
81	HT570410	4	SCREW PNH TORX 10-24X.375 BLACK
83	HY740000	2	SET SCREW
86	JC780417	1	BHSCS .500-13 X 1.00
87	JS347400	2	LOCKWASHER INT TOOTH .375
90	PP130003	2	INSERT PLASTIC
91	PP660006	2	PLUG SNAP IN
93	PR069400	2	BUMPER RECESS
94	PU060201	1	BUMPER
95	YA000008	1	ADH THRD LKR REM NO. 242
97	YA000211	1	NLA: ADH RTNG CMPD ANEROBIC 680

# 12650 Panel Assembly



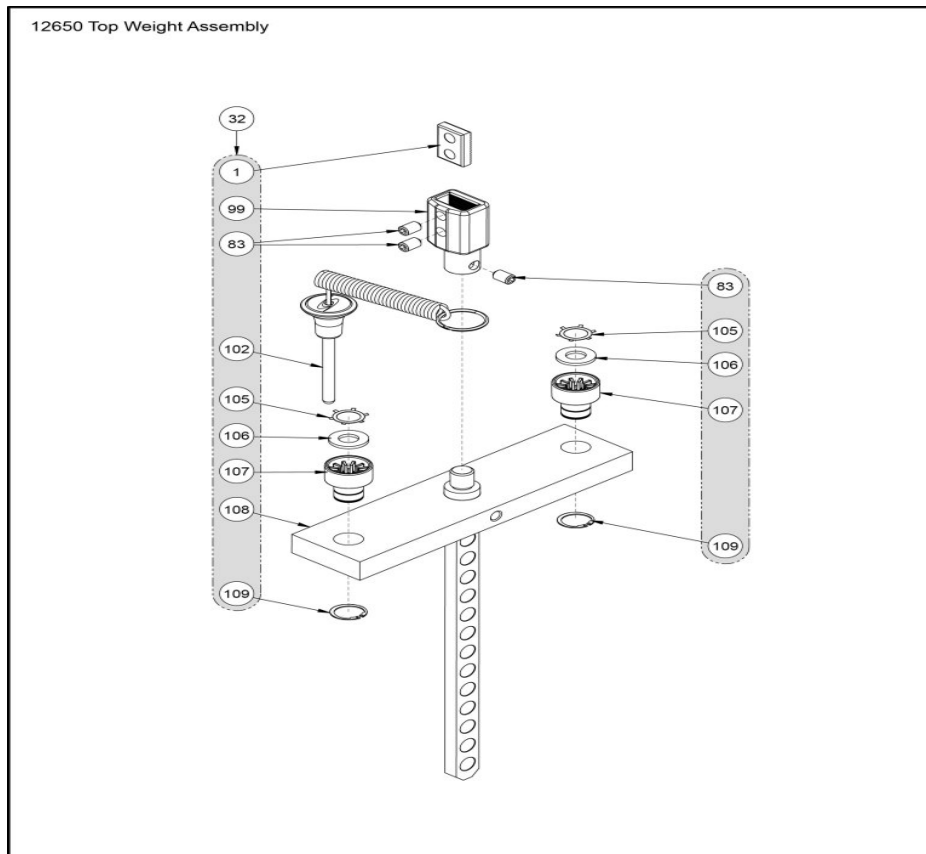
Ref #	Part Number	Qty	Description
3	11040-790	1	NLA: DECAL, MADE IN THE USA
23	12050-598	1	Placard VR3 Leg Ext
35	12600-390	1	MOLDED TOP CAP
36	12600-392	1	PANEL INSERT, PLANET FITNESS
38	12630-350	1	FORMED PLATE
39	12630-351	1	FORMED PLATE
40	12651-370	1	DECAL, LEG EXTENSION
41	12651-391	1	PANEL INSERT, PLANET FITNESS
50	510-1108	2	TAPE BOX SEALING CLEAR
58	DE000001	1	Decal Warning Custom
59	DE000005	1	Decal Caution Custom
63	FO100007	1	O RING .156 ID X .344 OD
68	HC700417	2	BHSCS .375-16 X 1.00
78	HS100000	1	WASHER NYLON FINISHING
79	HT512517	8	TAP SC 10-24 X 1.00 TYPE WB PN HD PHIL BLK
82	HT572512	1	TAP SC NO. 10 - 24 X .50 PN HD PHIL

# 12650 Seat Mount Assembly



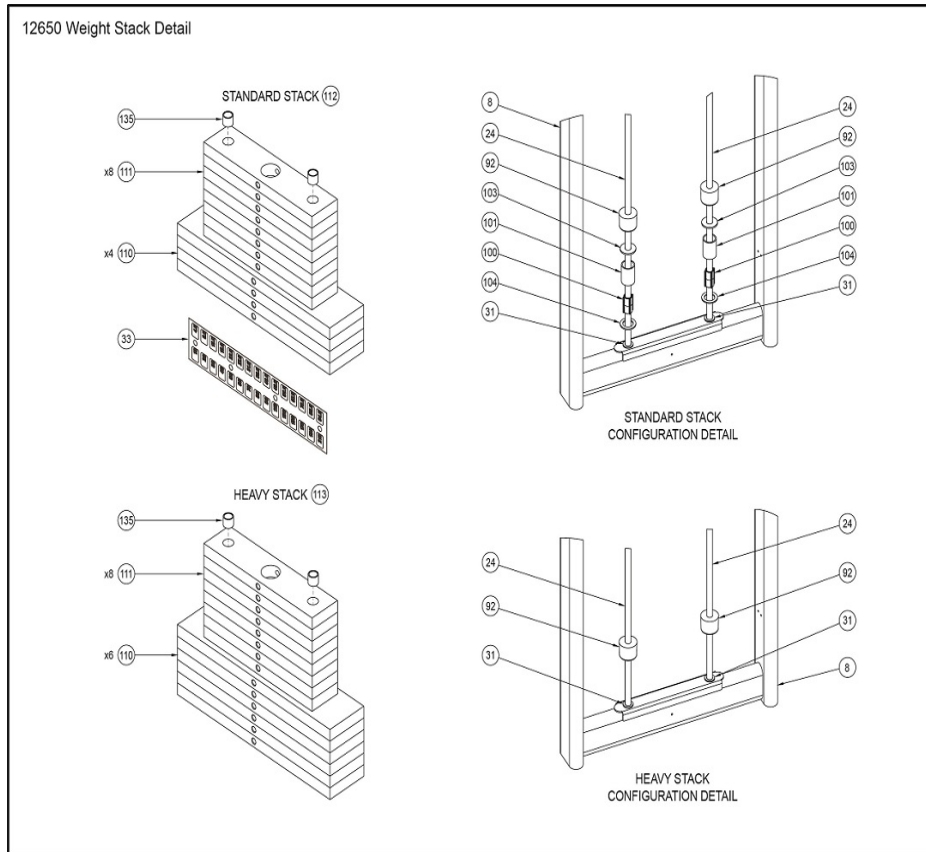
Ref #	Part Number	Qty	Description
K3	11090K006	2	KIT HANDLE TRIM RING
5	11090-374	2	END CAP
6	11090-376	2	RING HANDLE GRIP
8	12050-200	1	W MAIN FRAME Custom
9,K4	12050K006	3	KIT, VR3 LEG EXTENSION HANDLE Custom
44	4605-507	2	GRAB GRIP 6.50
48	4800-131	1	SEAT PAD Custom
51	4800-134	1	WEAR COVER Custom
70	HC700430	1	BHSCS .375-16 X 2.50
71	HF449063	4	INSERT 3-4X1-4-20 CONNECTOR
75	HN704901	2	LOCKNUT .375-16 NYLON
84	JC620422	2	BHSCS .250-20 X 1.50
85	JC700420	4	BHSCS .375-16 X 1.25
87	JS347400	2	LOCKWASHER INT TOOTH .375
88	PN660200	2	INSERT PLASTIC 1.00 DIA-11 GA
89	PP130002	1	INSERT DOMED PLASTIC
90	PP130003	2	INSERT PLASTIC
91	PP660006	1	PLUG SNAP IN
95	YA000008	1	ADH THRD LKR REM NO. 242

# 12650 Top Weight Assembly



Ref #	Part Number	Qty	Description
1	11040-301	1	INSERT CLAMP BLOCK
32	12301-007	1	Top Weight Assy 15
83	HY740000	3	SET SCREW
99	11040-216	1	P BELT CLAMP
102	BH030207	1	PIN WEIGHT SELECTOR
105	BR030220	2	RETAINING RING 1.250 INTERNAL
106	HS720004	2	WASHER FELT .641 ID X 1.250 OD X .125 T
107	13000-364	2	BEARING FLNG .62 ID X .92 OD X 1.75 LG
108	4700-266	1	C Top WT 15-3X12
109	BR030206	2	RETAINING RING

# 12650 Weight Stack Detail



Ref #	Part Number	Qty	Description
8	12050-200	2	W MAIN FRAME Custom
24	12060-350	4	WT ROD .625 DIA X 54.63
31	12210-348	4	CAP GUIDE ROD
33	12301-552	1	DECAL, WT PLATE GRADUATED (10-210)
92	PR060005	4	BUMPER WEIGHT
100	12210-352	2	INSERT PLASTIC
101	12210-358	2	TUBE SPACER
103	HS760106	2	WASH FLAT 1.750 .688 .140 T
104	JS497600	2	WASHER 1.19 ID X 1.75 OD X .12 THK
110	4000C101	10	C STACK WT 4X18
111	4700-337	16	C Stack Weight 10 lbs exact
112	12301-035	1	WT PAC 12 GRADUATED
113	12301-031	1	WT Pac 14 Graduated
135	FB130216	2	Bushing Weight Stack

