

VR3 BACK EXTENSION

12701-01

Parts Manual

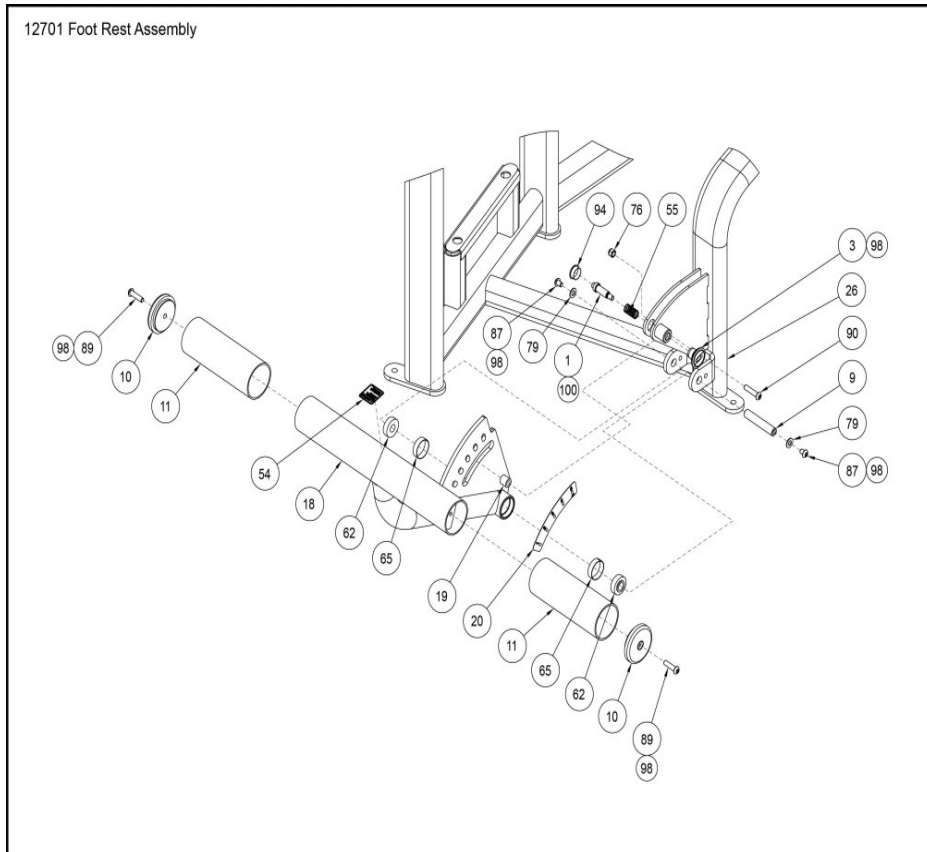
1/5/2019 2:37:24 AM



Table of Contents

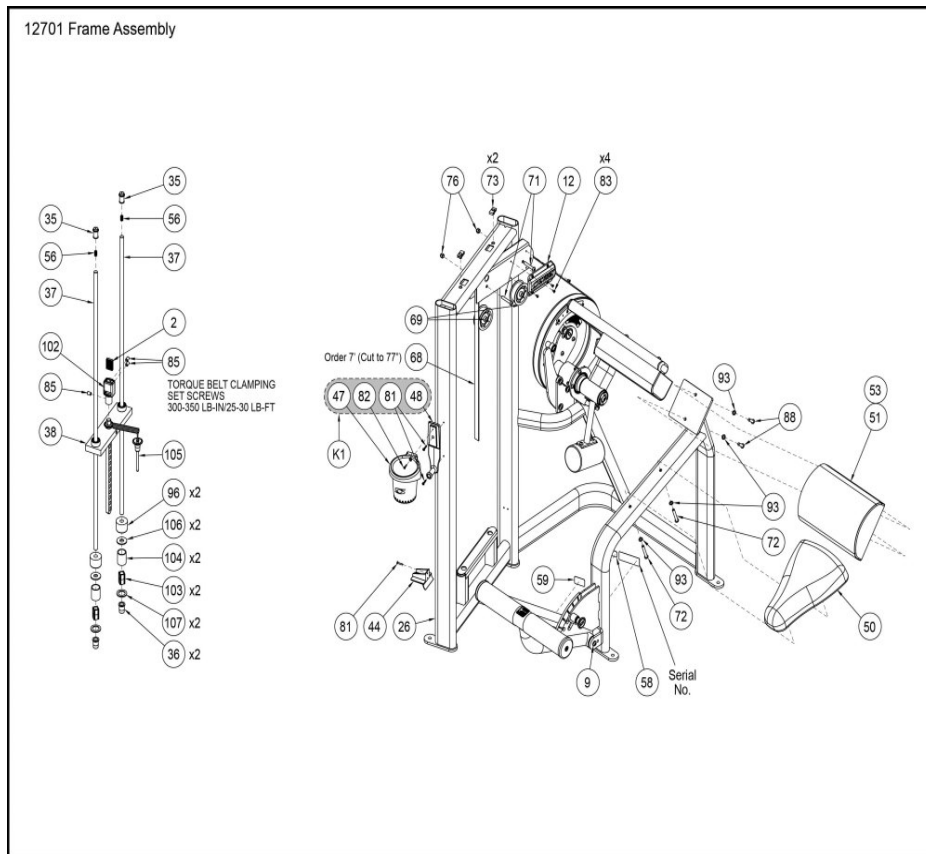
[12701 Foot Rest Assembly.....](#)3
[12701 Frame Assembly.....](#)4
[12701 Panel Assembly.....](#)6
[12701 RLD Assembly.....](#)7
[12701 Top Weight Assembly.....](#)9
[12701 Weight Stack Detail.....](#)10

12701 Foot Rest Assembly



Ref #	Part Number	Qty	Description
1	08229	1	P PIN DETENT
3	11040-440	1	KNOB
9	11080-337	1	SHAFT PIVOT
10	11090-398	2	END CAP
11	11090-400	2	GRIP 8.75
18	12090-202	1	W FOOT REST Custom
19	12090-306	1	SPACER
20	12090-312	1	DECAL FOOT REST ADJUST
26	12102-200	1	W FRAME Custom
54	8500-025	1	DECAL CAUTION Custom
55	BS070201	1	COM SPRING .56 ID X .66 OD X 1.50 LG
62	FB030232	2	BRG RADIAL 17MM ID EXT RACE
65	FC030006	2	TOLERANCE RING 1.575 ID
76	HN704901	1	LOCKNUT .375-16 NYLON
79	HS347600	1	WASHER SAE .375
87	JC700412	1	BHSCS .375-16 X .50
89	JC700422	2	BHSCS .375-16 X 1.50
90	JC700424	1	BHSCS .375-16 X 1.75
94	PN660200	1	INSERT PLASTIC 1.00 DIA-11 GA

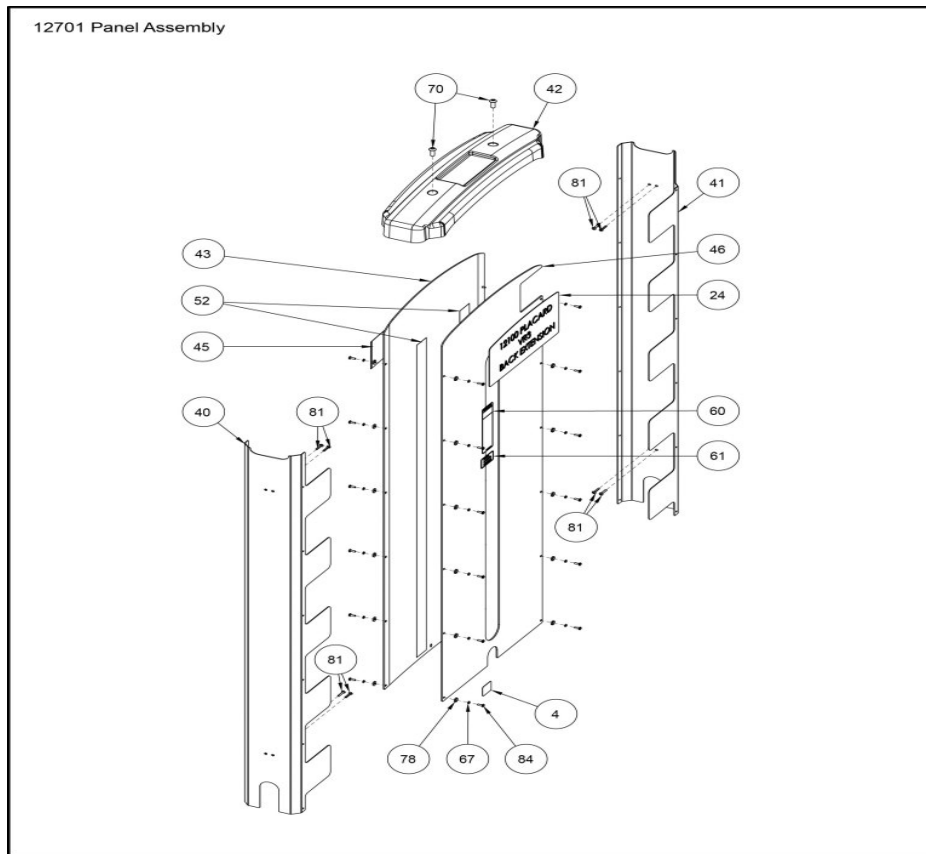
12701 Frame Assembly



Ref #	Part Number	Qty	Description
K1	12000K017	1	Kit Water Bottle Holder
2	11040-301	1	INSERT CLAMP BLOCK
9	11080-337	1	SHAFT PIVOT
12	12000-467	1	PULLEY COVER
26	12102-200	1	W FRAME Custom
35	12210-347	2	CAP GUIDE ROD
36	12210-348	2	CAP GUIDE ROD
37	12210-350	2	WT ROD .625 DIA X 49.53
38	12301-007	1	Top Weight Assy 15
44	12600-394	1	PANEL SUPPORT BRACKET
47	13000-400	1	Holder Water Bottle
48	13000-402	1	Mount Water Bottle Holder
50	4800-172	1	CUSHION SA BIKE 15in MOLDED Custom
51	4800-127	1	COVERED CUSHION SA CONTOUR 9 X 14 Custom
53	4800-130	1	WEAR COVER SA CONTOUR 9 X 14 Custom
56	BS070208	2	COMP SPRING .396 ID X .480 OD X 1.50 LG
58	CM000211	1	DECAL PATENT
59	CM000261	1	DECAL, CAPACITY
68	GB000202	1	BELT .95 WIDE
69	GP000209	2	PULLEY ASSEMBLY-3.50
71	HC700428	2	BHSCS .375-16 X 2.25
72	HC700430	2	BHSCS .375-16 X 2.50

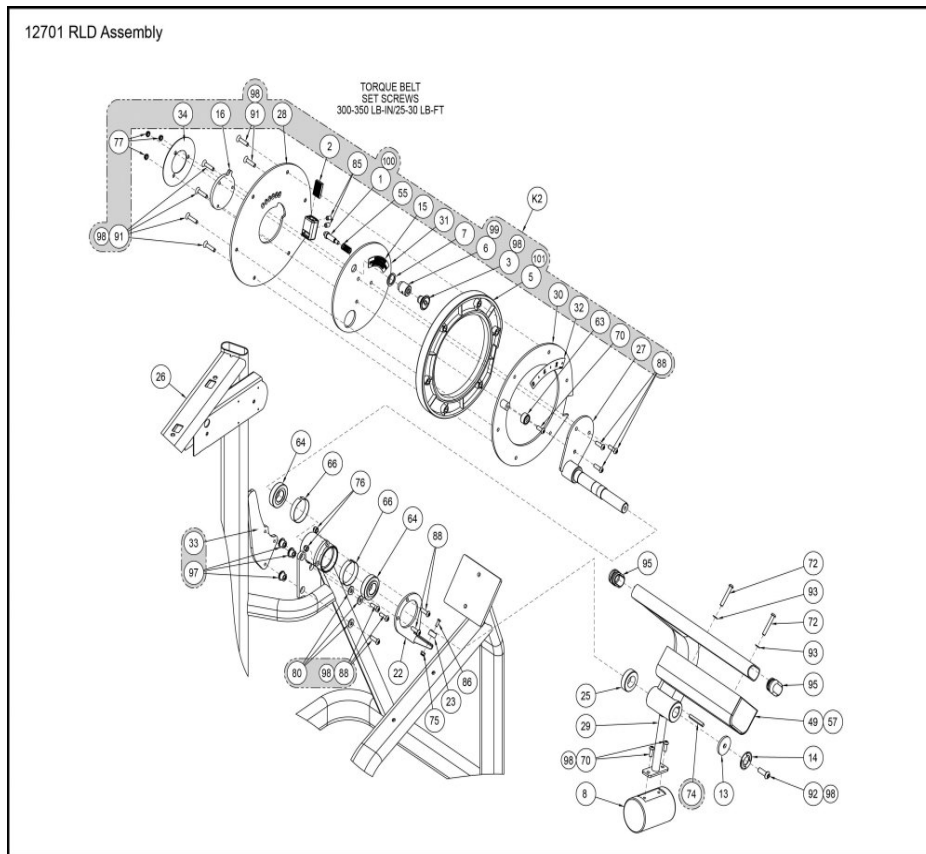
Ref #	Part Number	Qty	Description
73	HF700000	2	PANEL FASTNER .375-16 U TYPE
76	HN704901	2	LOCKNUT .375-16 NYLON
81	HT512517	3	TAP SC 10-24 X 1.00 TYPE WB PN HD PHIL BLK
82	HT552515	1	TAP SC NO. 8-16 X .75 PLASTITE PN HD PHIL BLK
83	HT570410	4	SCREW PNH TORX 10-24X.375 BLACK
85	HY740000	3	SET SCREW
88	JC700420	2	BHSCS .375-16 X 1.25
93	JS347400	4	LOCKWASHER INT TOOTH .375
96	PR060005	2	BUMPER WEIGHT
102	11040-216	1	P BELT CLAMP
103	12210-352	2	INSERT PLASTIC
104	12210-358	2	TUBE SPACER
105	BH030207	1	PIN WEIGHT SELECTOR
106	HS760106	2	WASH FLAT 1.750 .688 .140 T
107	JS497600	2	WASHER 1.19 ID X 1.75 OD X .12 THK

12701 Panel Assembly



Ref #	Part Number	Qty	Description
4	11040-790	1	NLA: DECAL, MADE IN THE USA
24	12100-598	1	Placard VR3 Back Ext
40	12600-350	1	FORMED PLATE
41	12600-351	1	FORMED PLATE
42	12600-390	1	MOLDED TOP CAP
43	12600-392	1	PANEL INSERT, PLANET FITNESS
45	12701-370	1	DECAL, BACK EXTENSION
46	12701-391	1	PANEL INSERT, PLANET FITNESS
52	510-1108	2	TAPE BOX SEALING CLEAR
60	DE000001	1	Decal Warning Custom
61	DE000005	1	Decal Caution Custom
67	FO100007	1	O RING .156 ID X .344 OD
70	HC700417	2	BHSCS .375-16 X 1.00
78	HS100000	1	WASHER NYLON FINISHING
81	HT512517	8	TAP SC 10-24 X 1.00 TYPE WB PN HD PHIL BLK
84	HT572512	1	TAP SC NO. 10 - 24 X .50 PN HD PHIL

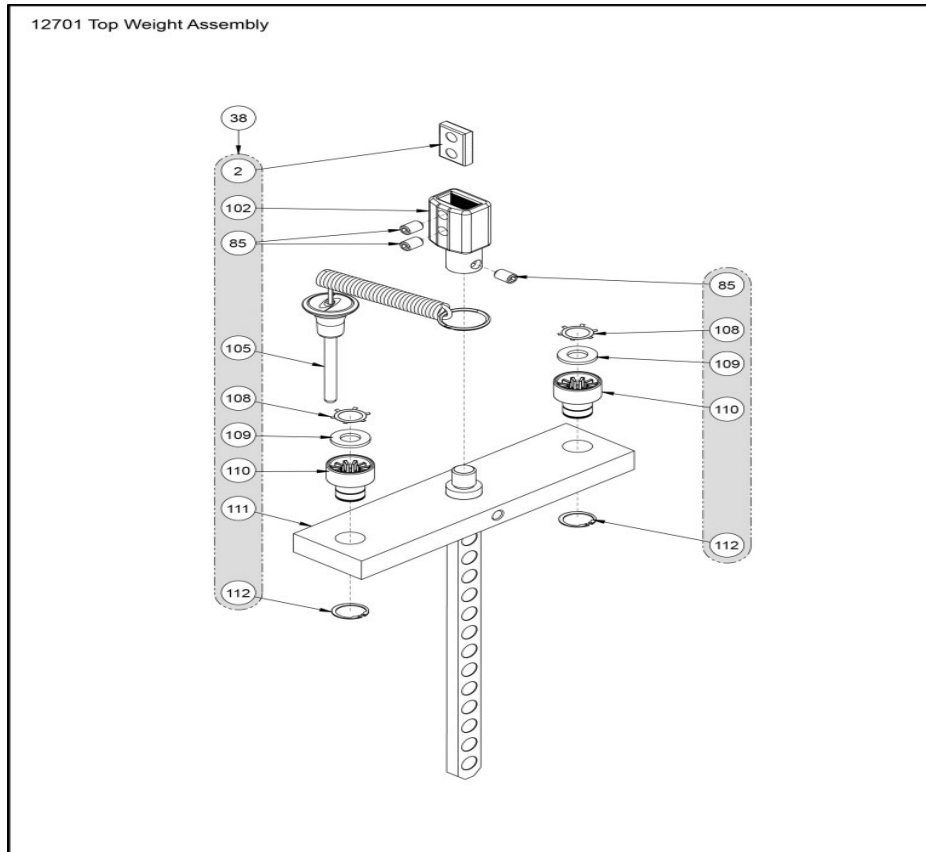
12701 RLD Assembly



Ref #	Part Number	Qty	Description
1	08229	1	P PIN DETENT
K2	12100K002	1	KIT NON TO START RLD
2	11040-301	1	INSERT CLAMP BLOCK
3	11040-440	1	KNOB
5	11050-333	1	CAM
6	11050-407	1	RETAINER
7	11050-408	1	SPACER
8	11070-332	1	C COUNTERWEIGHT
13	12050-343	1	WASHER
14	12050-355	1	DECAL ROTATION
15	12050-377	2	DECAL START RLD Custom
16	12050-379	1	PLATE MOUNTING- Custom
22	12100-203	1	W INPUT STOP Custom
23	12100-303	1	BUMPER
25	12101-300	1	SPACER
26	12102-200	1	W FRAME Custom
27	12102-202	1	C PIVOT SHAFT
28	12102-203	1	W CAM PLATE RH
29	12102-204	1	W INPUT ARM Custom
30	12102-205	1	W CAM MOUNT
31	12102-313	1	PLATE ECCENTRIC
32	12102-316	1	DECAL START CAM

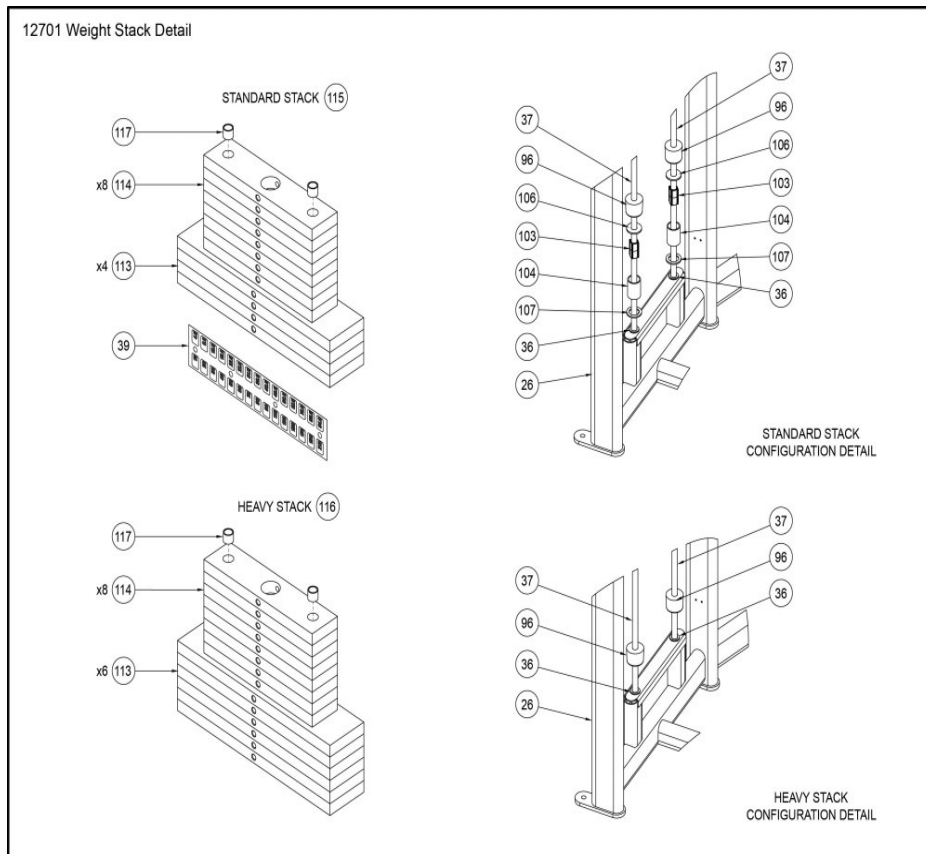
Ref #	Part Number	Qty	Description
33	12102-338	1	GUIDE CAM
34	12102-339	1	STOP GUARD
49	4800-014	1	COVERED CUSHION SA 4.50 X 14 Custom
55	BS070201	1	COM SPRING .56 ID X .66 OD X 1.50 LG
57	4800-094	1	WEAR COVER SA 4.5 X 14 Custom
63	FB030239	1	CAM FOLLOWER 10 MM
64	FB030249	2	BEARING RADIAL 35MM EXT RACE
66	FC030009	2	TOLERANCE RING 72MM
70	HC700417	3	BHSCS .375-16 X 1.00
72	HC700430	2	BHSCS .375-16 X 2.50
74	HH320030	1	KEY .313 SQ X 2.50
75	HN625200	1	LOCKNUT .250-20 NYLON HVY
76	HN704901	2	LOCKNUT .375-16 NYLON
77	HN704902	3	LOCKNUT NYLON .375-16
80	HS347700	3	WASHER USS .375
85	HY740000	2	SET SCREW
86	JC620415	1	BHSCS .250-20 X .75
88	JC700420	8	BHSCS .375-16 X 1.25
91	JC700924	6	FHSCS .375-16 X 1.75
92	JC780422	1	BHSCS .500-13 X 1.50
93	JS347400	2	LOCKWASHER INT TOOTH .375
95	PP130003	2	INSERT PLASTIC
97	PR740300	3	MOUNT CENTER BONDED
101	YL000200	1	LUBRICANT TEFLON 3 OZ TUBE

12701 Top Weight Assembly



Ref #	Part Number	Qty	Description
2	11040-301	1	INSERT CLAMP BLOCK
38	12301-007	1	Top Weight Assy 15
85	HY740000	3	SET SCREW
102	11040-216	1	P BELT CLAMP
105	BH030207	1	PIN WEIGHT SELECTOR
108	BR030220	2	RETAINING RING 1.250 INTERNAL
109	HS720004	2	WASHER FELT .641 ID X 1.250 OD X .125 T
110	13000-364	2	BEARING FLNG .62 ID X .92 OD X 1.75 LG
111	4700-266	1	C Top WT 15-3X12
112	BR030206	2	RETAINING RING

12701 Weight Stack Detail



Ref #	Part Number	Qty	Description
26	12102-200	1	W FRAME Custom
36	12210-348	2	CAP GUIDE ROD
37	12210-350	2	WT ROD .625 DIA X 49.53
39	12301-552	1	DECAL, WT PLATE GRADUATED (10-210)
96	PR060005	2	BUMPER WEIGHT
103	12210-352	2	INSERT PLASTIC
104	12210-358	2	TUBE SPACER
106	HS760106	2	WASH FLAT 1.750 .688 .140 T
107	JS497600	2	WASHER 1.19 ID X 1.75 OD X .12 THK
113	4000C101	6	C STACK WT 4X18
114	4700-337	8	C Stack Weight 10 lbs exact
115	12301-035	1	WT PAC 12 GRADUATED
116	12301-031	1	WT Pac 14 Graduated
117	FB130216	2	Bushing Weight Stack

