

VR3 FLY REAR DELT

12710-01

Parts Manual

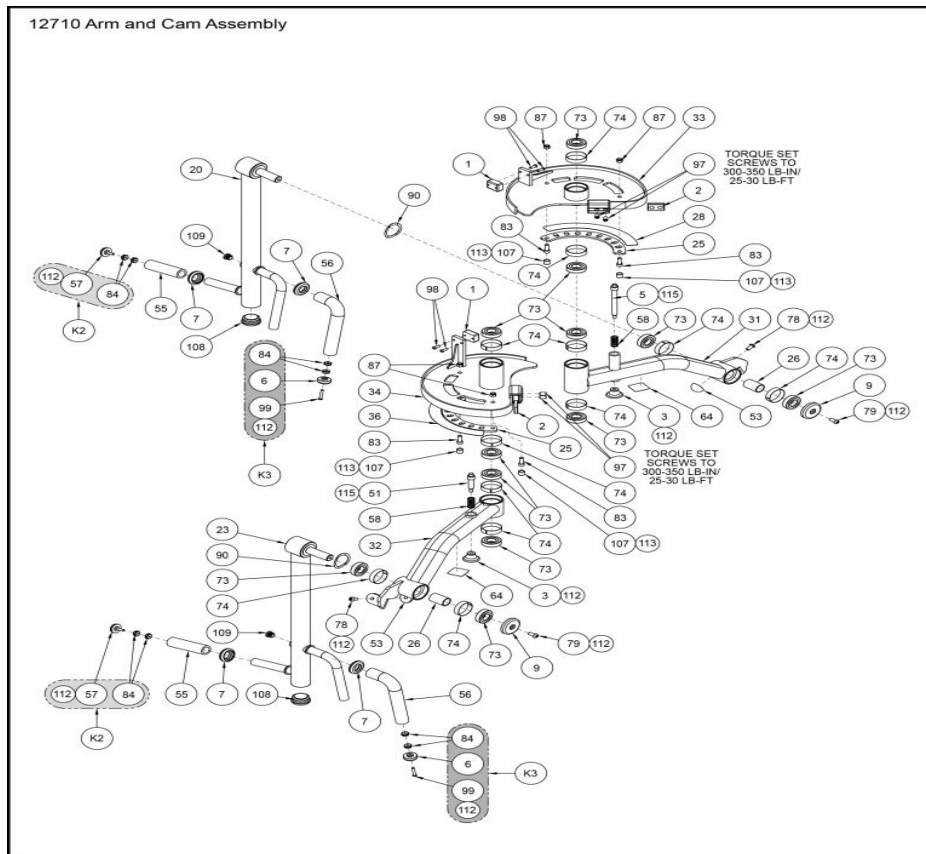
1/5/2019 2:37:25 AM



Table of Contents

[12710 Arm and Cam Assembly.....](#)3
[12710 Belt Routing.....](#)5
[12710 Frame Assembly.....](#)6
[12710 Panel Assembly.....](#)8
[12710 Seat Slide.....](#)9
[12710 Top Weight Assembly.....](#)11
[12710 Weight Stack Detail.....](#)12

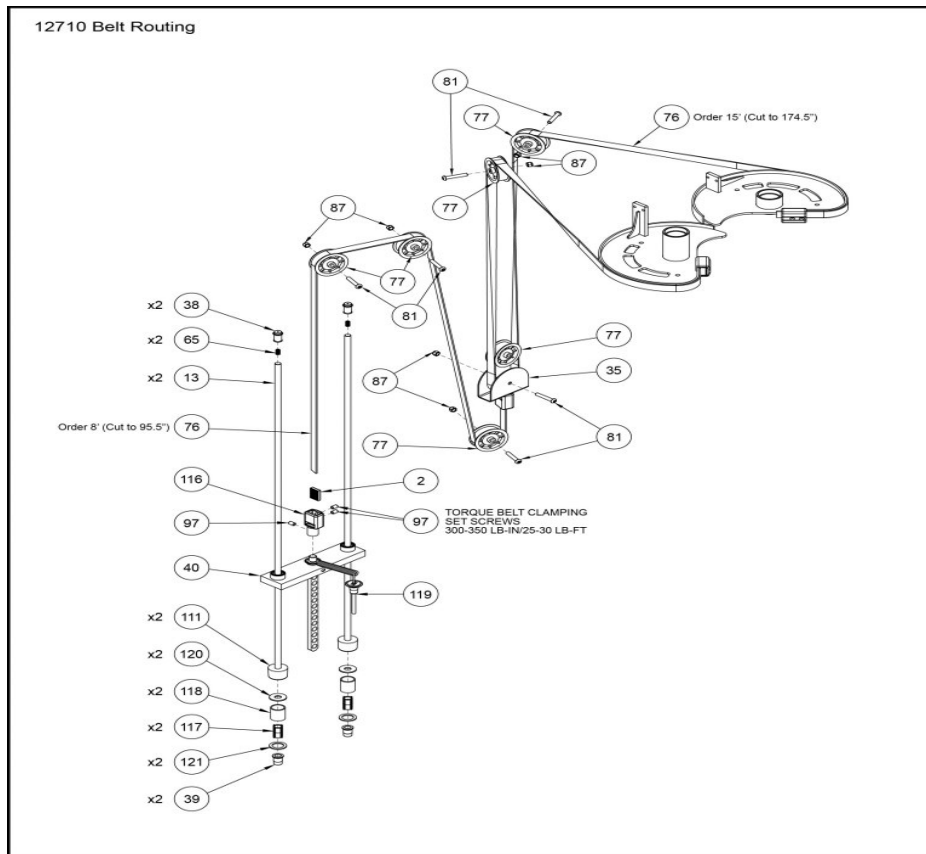
12710 Arm and Cam Assembly



Ref #	Part Number	Qty	Description
1	11000-384	2	BLOCK STOP
K2	4605K549	2	KIT HANDLE PLUG SMALL
2	11040-301	2	INSERT CLAMP BLOCK
3	11040-440	2	KNOB
K3	11090K006	2	KIT HANDLE TRIM RING
5	11060-332	1	PIN DETENT
6	11090-374	2	END CAP
7	11090-376	4	RING HANDLE GRIP
9	12000-368	2	END CAP
20	12110-201	1	W INPUT ARM Custom
23	12110-208	1	W INPUT ARM Custom
25	12110-333	2	PLATE DETENT
26	12110-338	2	SPACER
28	12110-350	1	DECAL START ADJUST
31	12111-202	1	W PIVOT ARM LH Custom
32	12111-203	1	W PIVOT ARM RH Custom
33	12111-204	1	W CAM Custom
34	12111-209	1	W CAM Custom
36	12111-360	1	DECAL, START ADJUST
51	13260-302	1	P Detent Pin
53	4505-331	2	BUMPER 1.50 DIA
55	4605-501	2	GRAB GRIP 5.00

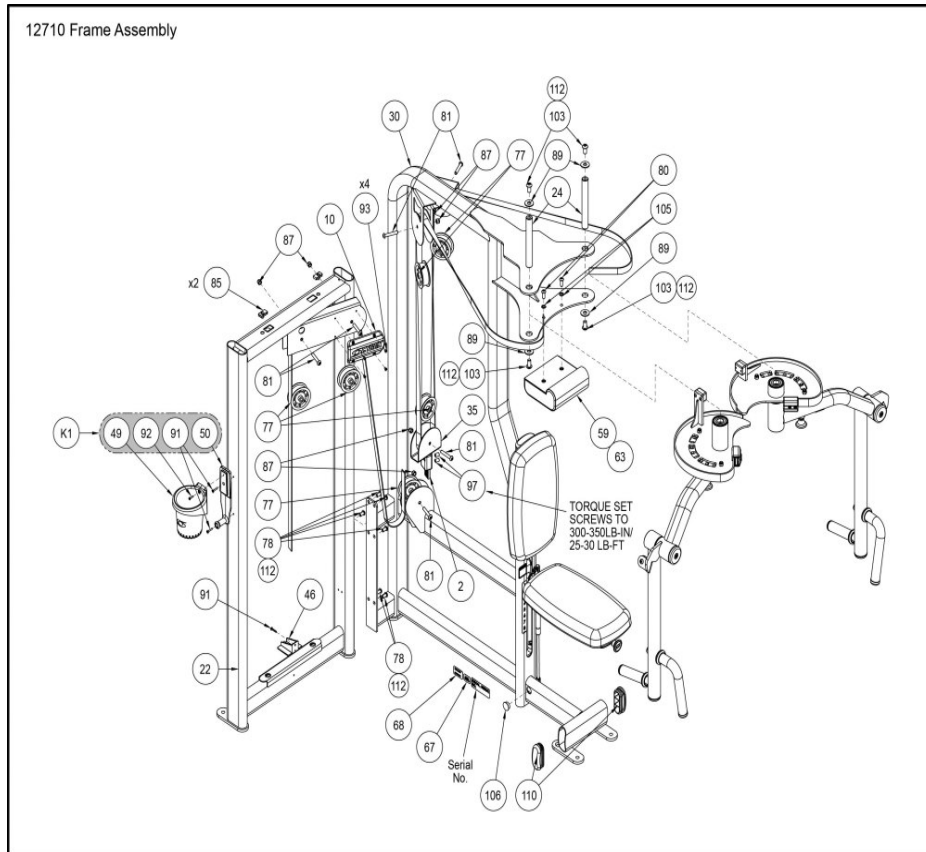
Ref #	Part Number	Qty	Description
56	4605-527	1	GRIP GRAB 11.00
57	4605-550	2	PLUG .250-20 SMALL
58	4715-346	2	COM SPRING .72 X 1.50 LG
64	8500-025	2	DECAL CAUTION Custom
73	FB030247	12	BEARING RADIAL 25MM EXTENDED RACE
74	FC030007	12	TOLERANCE RING 2.047 ID
78	HC700415	2	BHSCS .375-16 X .75
79	HC700416	2	BHSCS .375-16 X .875
83	HC702817	4	SHCS .375-16 X 1.00
84	HF449063	6	INSERT 3-4X1-4-20 CONNECTOR
87	HN704901	4	LOCKNUT .375-16 NYLON
90	HS487100	2	WASHER SPRING 1.853X2.396X.168 T
97	HY740000	4	SET SCREW
98	JC620415	4	BHSCS .250-20 X .75
99	JC620422	1	BHSCS .250-20 X 1.50
107	PP080222	4	CAP VINYL END .50 X .50
108	PP080226	1	INSERT PLASTIC 2.00 DIA-RIB
109	PP090213	2	INSERT PLASTIC

12710 Belt Routing



Ref #	Part Number	Qty	Description
2	11040-301	2	INSERT CLAMP BLOCK
13	12060-350	2	WT ROD .625 DIA X 54.63
35	12111-210	1	W PULLEY TAB Custom
38	12210-347	2	CAP GUIDE ROD
39	12210-348	2	CAP GUIDE ROD
40	12301-007	1	Top Weight Assy 15
65	BS070208	2	COMP SPRING .396 ID X .480 OD X 1.50 LG
76	GB000202	2	BELT .95 WIDE
77	GP000209	6	PULLEY ASSEMBLY-3.50
81	HC700428	6	BHSCS .375-16 X 2.25
87	HN704901	6	LOCKNUT .375-16 NYLON
97	HY740000	3	SET SCREW
111	PR060005	2	BUMPER WEIGHT
116	11040-216	1	P BELT CLAMP
117	12210-352	2	INSERT PLASTIC
118	12210-358	2	TUBE SPACER
119	BH030207	1	PIN WEIGHT SELECTOR
120	HS760106	2	WASH FLAT 1.750 .688 .140 T
121	JS497600	2	WASHER 1.19 ID X 1.75 OD X .12 THK

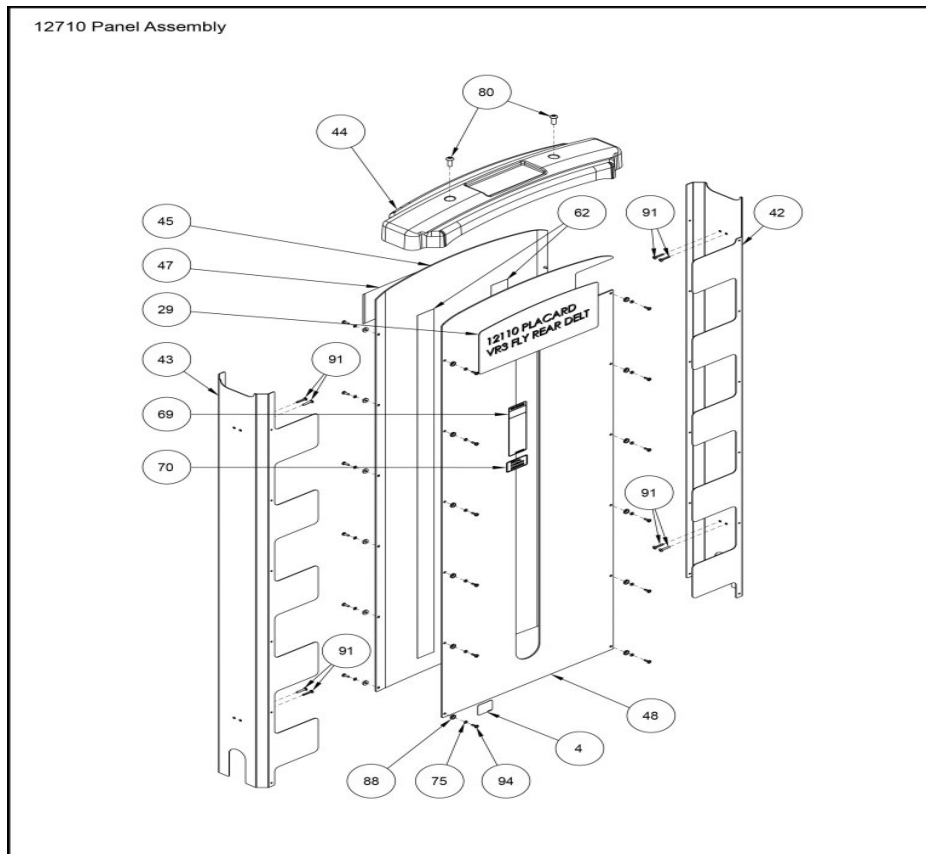
12710 Frame Assembly



Ref #	Part Number	Qty	Description
K1	12000K017	1	Kit Water Bottle Holder
2	11040-301	1	INSERT CLAMP BLOCK
10	12000-467	1	PULLEY COVER
22	12110-207	1	W WEIGHT FRAME Custom
24	12110-332	2	PIN PIVOT
30	12111-200	1	W MAIN FRAME Custom
35	12111-210	1	W PULLEY TAB Custom
46	12600-394	1	PANEL SUPPORT BRACKET
49	13000-400	1	Holder Water Bottle
50	13000-402	1	Mount Water Bottle Holder
59	4800-119	1	COVERED CUSHION SA 6.75 X 7.50 Custom
63	4800-122	1	WEAR COVER SA 6.75 X 7.50 Custom
67	CM000211	1	DECAL PATENT
68	CM000261	1	DECAL, CAPACITY
77	GP000209	6	PULLEY ASSEMBLY-3.50
78	HC700415	8	BHSCS .375-16 X .75
80	HC700417	2	BHSCS .375-16 X 1.00
81	HC700428	6	BHSCS .375-16 X 2.25
85	HF700000	2	PANEL FASTNER .375-16 U TYPE
87	HN704901	6	LOCKNUT .375-16 NYLON
89	HS387500	6	WASHER USS .500
91	HT512517	1	TAP SC 10-24 X 1.00 TYPE WB PN HD PHIL BLK

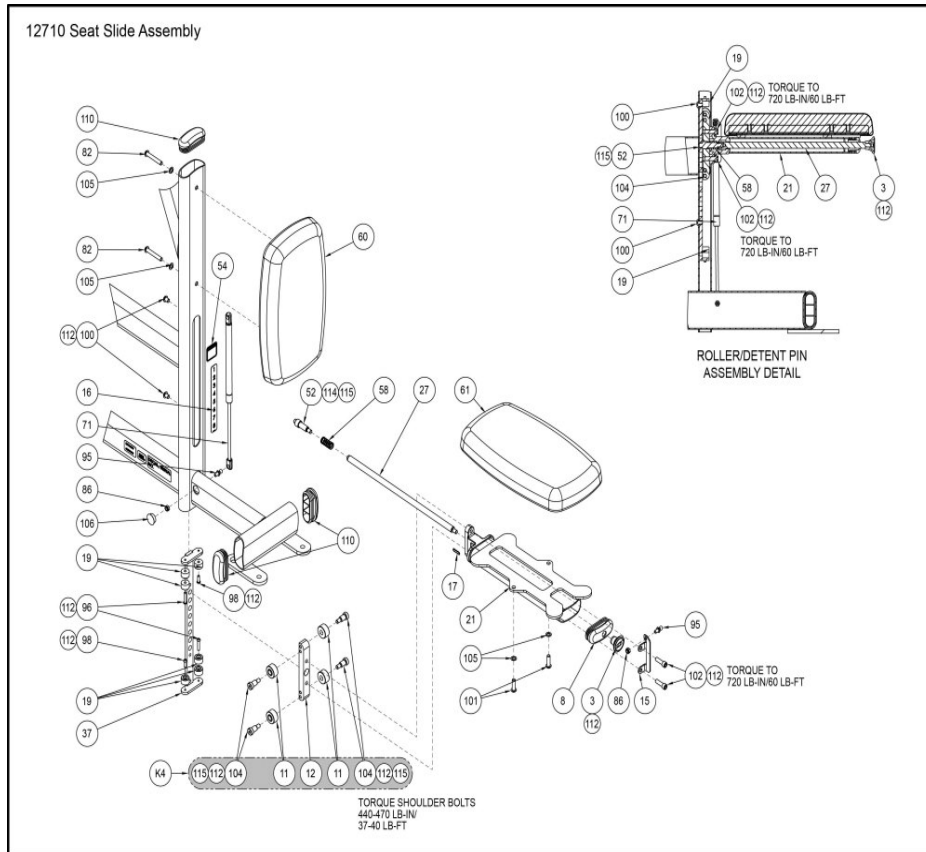
Ref #	Part Number	Qty	Description
92	HT552515	1	TAP SC NO. 8-16 X .75 PLASTITE PN HD PHIL BLK
93	HT570410	4	SCREW PNH TORX 10-24X.375 BLACK
97	HY740000	2	SET SCREW
103	JC780417	4	BHSCS .500-13 X 1.00
105	JS347400	2	LOCKWASHER INT TOOTH .375
106	PN660200	1	INSERT PLASTIC 1.00 DIA-11 GA
110	PP130002	1	INSERT DOMED PLASTIC

12710 Panel Assembly



Ref #	Part Number	Qty	Description
4	11040-790	1	NLA: DECAL, MADE IN THE USA
29	12110-598	1	Placard VR3 Fly Rear
42	12600-351	1	FORMED PLATE
43	12600-350	1	FORMED PLATE
44	12600-390	1	MOLDED TOP CAP
45	12600-392	1	PANEL INSERT, PLANET FITNESS
47	12710-370	1	DECAL, FLY- REAR DELT
48	12710-391	1	PANEL INSERT, PLANET FITNESS
62	510-1108	2	TAPE BOX SEALING CLEAR
69	DE000001	1	Decal Warning Custom
70	DE000005	1	Decal Caution Custom
75	FO100007	1	O RING .156 ID X .344 OD
80	HC700417	2	BHSCS .375-16 X 1.00
88	HS100000	1	WASHER NYLON FINISHING
91	HT512517	8	TAP SC 10-24 X 1.00 TYPE WB PN HD PHIL BLK
94	HT572512	1	TAP SC NO. 10 - 24 X .50 PN HD PHIL

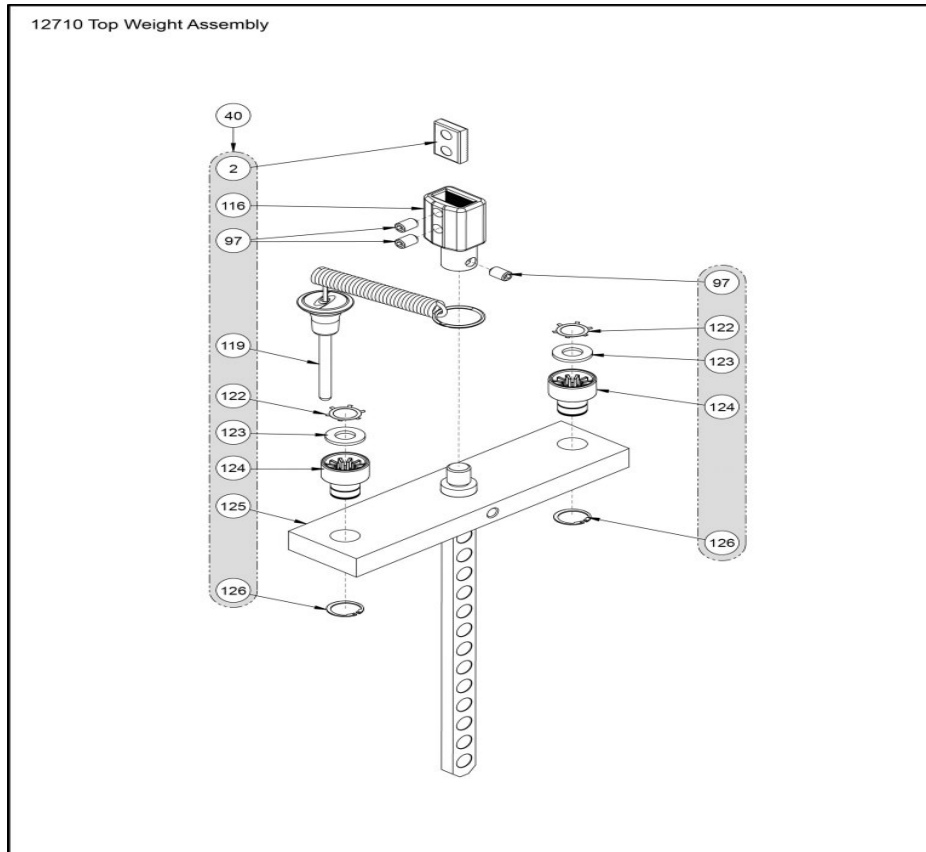
12710 Seat Slide



Ref #	Part Number	Qty	Description
3	11040-440	2	KNOB
K4	12000K012	1	KIT. ROLLER ASSEMBLY
8	12000-344	1	INSERT PLASTIC
11	12050-346	4	WHEEL ROLLER
12	12050-348	1	GUIDE ROLLER
15	12070-308	1	MOUNT SPRING
16	12070-329	1	DECAL ADJUSTING
17	12070-394	1	DECAL INDICATOR
19	12100-303	7	BUMPER
21	12110-205	2	W SEAT Custom
27	12110-341	1	Shaft Extension
37	12190-208	1	P DETENT BAR
52	4505-329	2	PIN DETENT
54	4520-362	1	DECAL SEAT CAUTION Custom
58	4715-346	1	COM SPRING .72 X 1.50 LG
60	4800-188	1	CUSHION SA 10 X 18 NS Custom
61	4800-192	1	CUSHION SA 10 X 18 MOLDED Custom
71	EZ000008	2	GAS SPRING 100N
82	HC700430	2	BHSCS .375-16 X 2.50
86	HN664900	2	LOCKNUT .312-18 NYLON INSERT
95	HX-60184	2	BALL,STUD,5/16 -18X10MM
96	HX620420	2	BHSCS .250-20 X 1.250

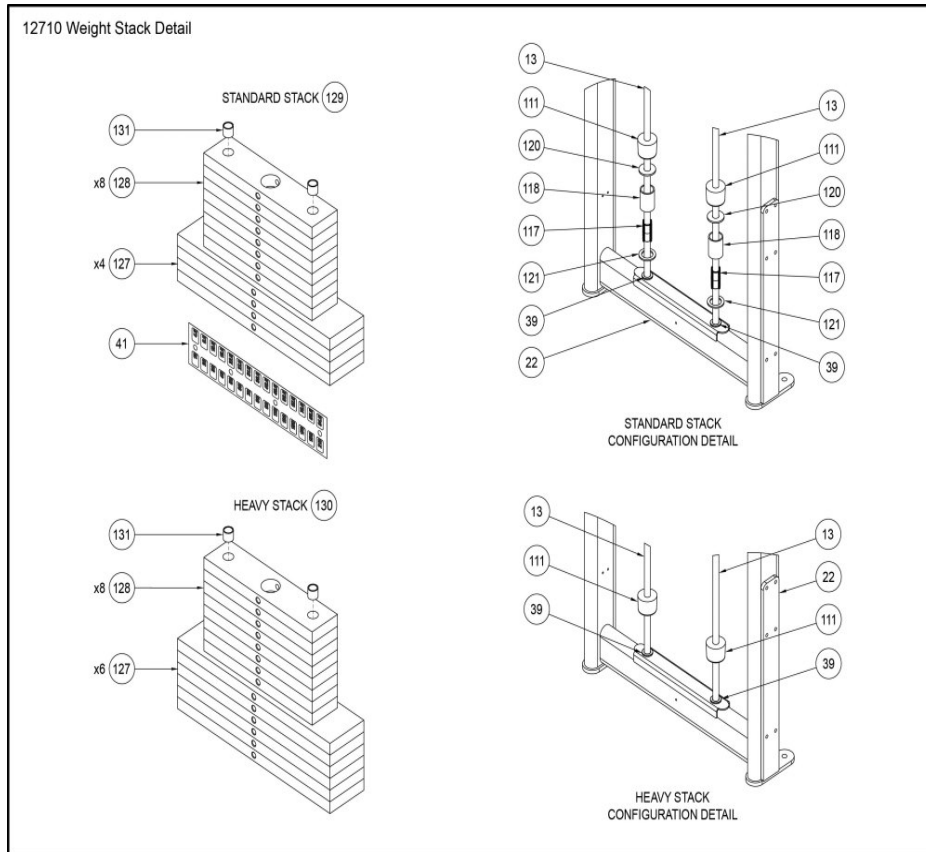
Ref #	Part Number	Qty	Description
98	JC620415	2	BHSCS .250-20 X .75
100	JC700412	4	BHSCS .375-16 X .50
101	JC700420	2	BHSCS .375-16 X 1.25
102	JC702820	4	SHCS .375-16 X 1.25
104	JD383315	7	S BOLT .500 X .75 .375-16
105	JS347400	4	LOCKWASHER INT TOOTH .375
106	PN660200	1	INSERT PLASTIC 1.00 DIA-11 GA
110	PP130002	3	INSERT DOMED PLASTIC

12710 Top Weight Assembly



Ref #	Part Number	Qty	Description
2	11040-301	1	INSERT CLAMP BLOCK
40	12301-007	1	Top Weight Assy 15
97	HY740000	3	SET SCREW
116	11040-216	1	P BELT CLAMP
119	BH030207	1	PIN WEIGHT SELECTOR
122	BR030220	2	RETAINING RING 1.250 INTERNAL
123	HS720004	2	WASHER FELT .641 ID X 1.250 OD X .125 T
124	13000-364	1	BEARING FLNG .62 ID X .92 OD X 1.75 LG
125	4700-266	2	C Top WT 15-3X12
126	BR030206	2	RETAINING RING

12710 Weight Stack Detail



Ref #	Part Number	Qty	Description
13	12060-350	4	WT ROD .625 DIA X 54.63
22	12110-207	3	W WEIGHT FRAME Custom
39	12210-348	4	CAP GUIDE ROD
41	12301-552	1	DECAL, WT PLATE GRADUATED (10-210)
111	PR060005	4	BUMPER WEIGHT
117	12210-352	2	INSERT PLASTIC
118	12210-358	2	TUBE SPACER
120	HS760106	2	WASH FLAT 1.750 .688 .140 T
121	JS497600	2	WASHER 1.19 ID X 1.75 OD X .12 THK
127	4000C101	10	C STACK WT 4X18
128	4700-337	16	C Stack Weight 10 lbs exact
129	12301-035	1	WT PAC 12 GRADUATED
130	12301-031	1	WT Pac 14 Graduated
131	FB130216	2	Bushing Weight Stack

