

VR3 TORSO

12790-01

Parts Manual

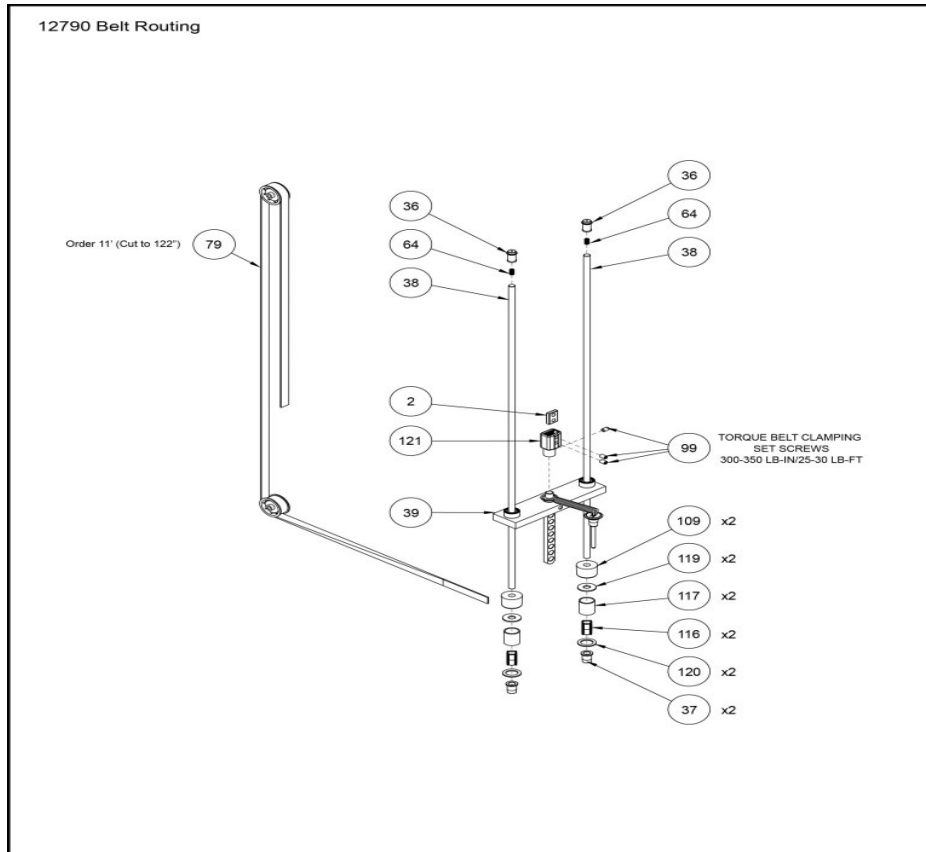
1/5/2019 2:38:48 AM



Table of Contents

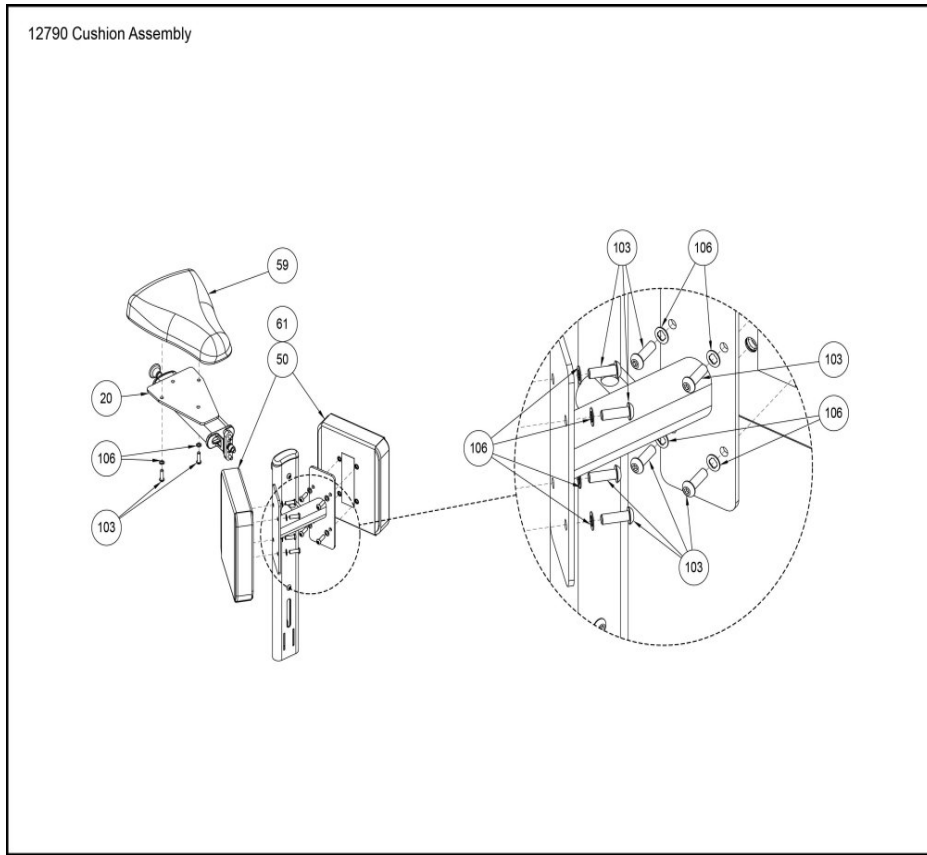
[12790 Belt Routing.....](#)3
[12790 Cushion Assembly.....](#)4
[12790 Foot Plate Assembly.....](#)5
[12790 Frame Assembly.....](#)6
[12790 Panel Assembly.....](#)8
[12790 Pivot Assembly.....](#)9
[12790 Pivot Detent Assembly.....](#)11
[12790 Seat Detent Assembly.....](#)12
[12790 Top Weight Assembly.....](#)14
[12790 Weight Stack Detail.....](#)15

12790 Belt Routing



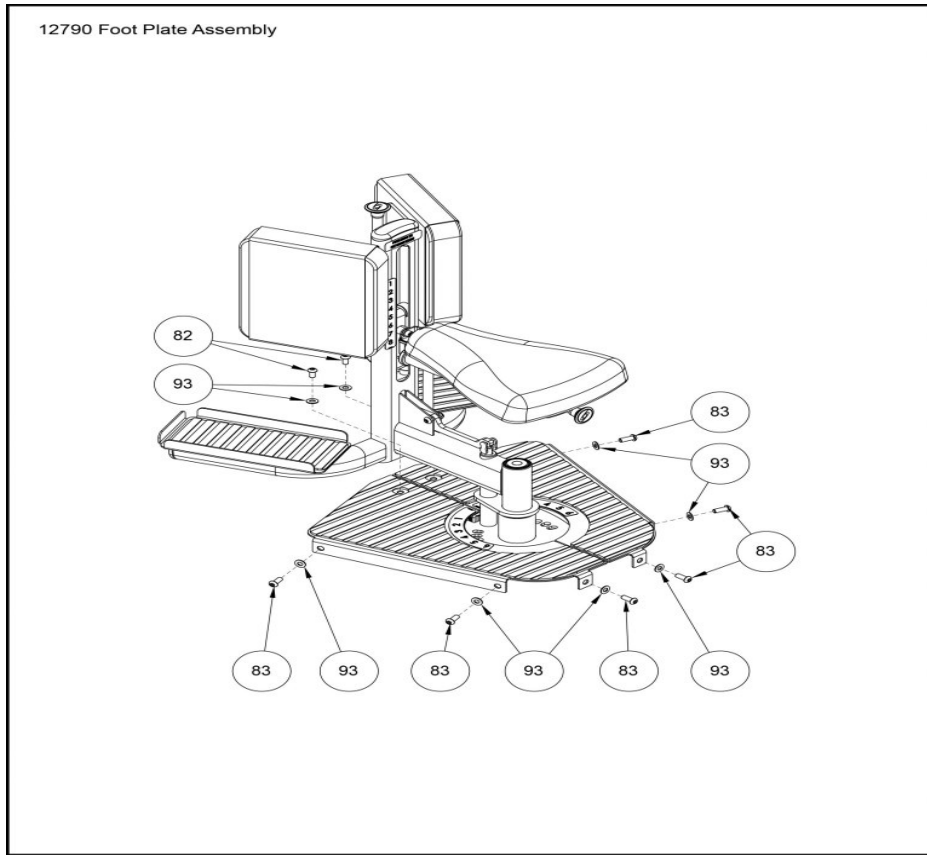
Ref #	Part Number	Qty	Description
2	11040-301	1	INSERT CLAMP BLOCK
36	12210-347	2	CAP GUIDE ROD
37	12210-348	2	CAP GUIDE ROD
38	12210-350	2	WT ROD .625 DIA X 49.53
39	12301-006	1	Top Weight Assy 10
64	BS070208	2	COMP SPRING .396 ID X .480 OD X 1.50 LG
79	GB000202	1	BELT .95 WIDE
99	HY740000	3	SET SCREW
109	PR060005	2	BUMPER WEIGHT
116	12210-352	2	INSERT PLASTIC
117	12210-358	2	TUBE SPACER
119	HS760106	2	WASH FLAT 1.750 .688 .140 T
120	JS497600	2	WASHER 1.19 ID X 1.75 OD X .12 THK
121	11040-216	1	P BELT CLAMP

12790 Cushion Assembly



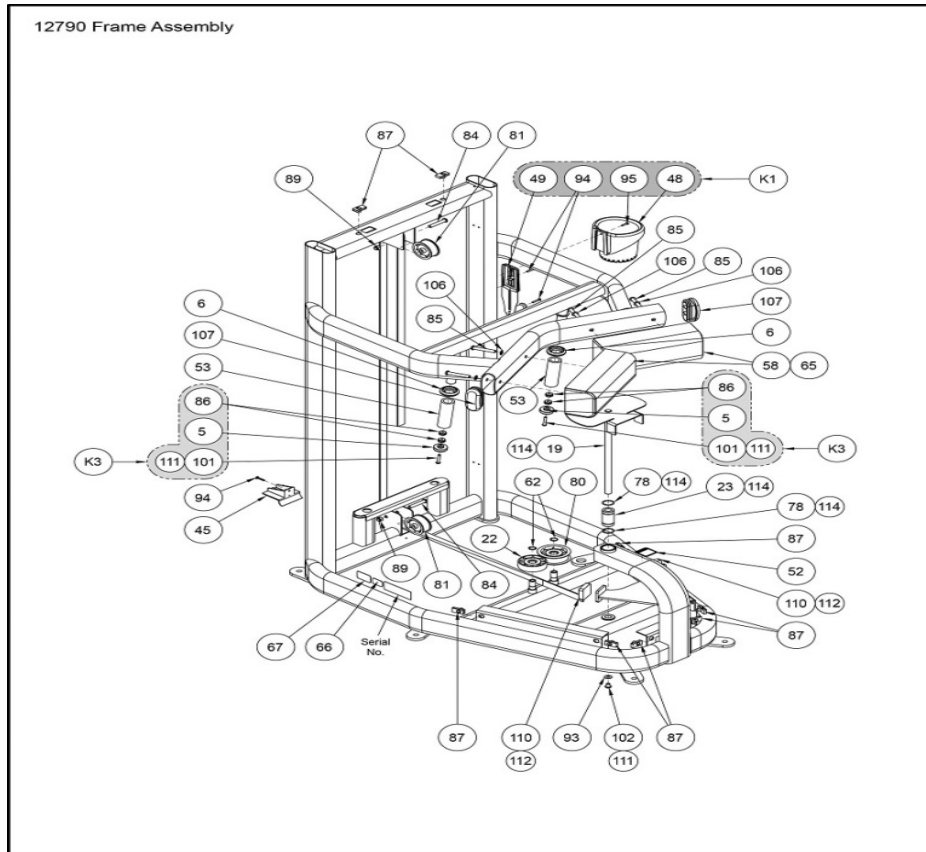
Ref #	Part Number	Qty	Description
20	12190-206	1	W SEAT Custom
50	4201S065	2	NLA: COVERED CUSHION SA 10 X 12
59	4800-172	1	CUSHION SA BIKE 15in MOLDED Custom
61	4201S076	2	NLA: WEAR COVER SA 10 X 12
103	JC700420	10	BHSCS .375-16 X 1.25
106	JS347400	10	LOCKWASHER INT TOOTH .375

12790 Foot Plate Assembly



Ref #	Part Number	Qty	Description
82	HC700415	2	BHSCS .375-16 X .75
83	HC700417	6	BHSCS .375-16 X 1.00
93	HS347600	8	WASHER SAE .375

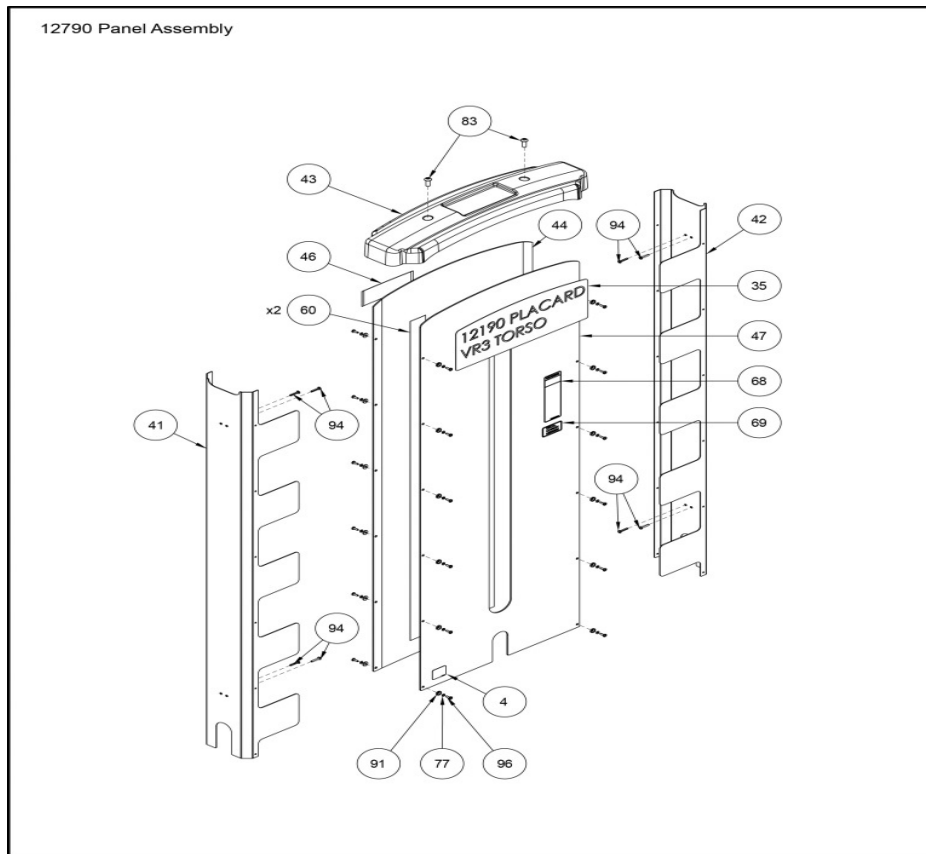
12790 Frame Assembly



Ref #	Part Number	Qty	Description
K1	12000K017	1	Kit Water Bottle Holder
K3	11090K006	1	KIT HANDLE TRIM RING
5	11090-374	2	END CAP
6	11090-376	2	RING HANDLE GRIP
19	12190K003	1	KIT, PIVOT SHAFT REPLACEMENT Custom
22	12190-306	1	PULLEY ASSEMBLY 3.00 (FLAT)
23	12190-310	1	SLEEVE
45	12600-394	1	PANEL SUPPORT BRACKET
48	13000-400	1	Holder Water Bottle
49	13000-402	1	Mount Water Bottle Holder
52	4520-362	1	DECAL SEAT CAUTION Custom
53	4605-510	2	GRAB GRIP 4.75
58	4800-023	2	COVERED CUSHION Custom
62	BR030210	2	RETAINING RING 17 MM
65	4800-095	2	WEAR COVER Custom
66	CM000211	1	DECAL PATENT
67	CM000260	1	DECAL, CAPACITY
78	FO100010	2	O RING 1.049 ID X .103 W
80	GP000212	1	PULLEY ASSEMBLY-3.50
81	GP000214	2	PULLEY ASSEMBLY-2.75
84	HC700428	2	BHSCS .375-16 X 2.25
85	HC700430	3	BHSCS .375-16 X 2.50

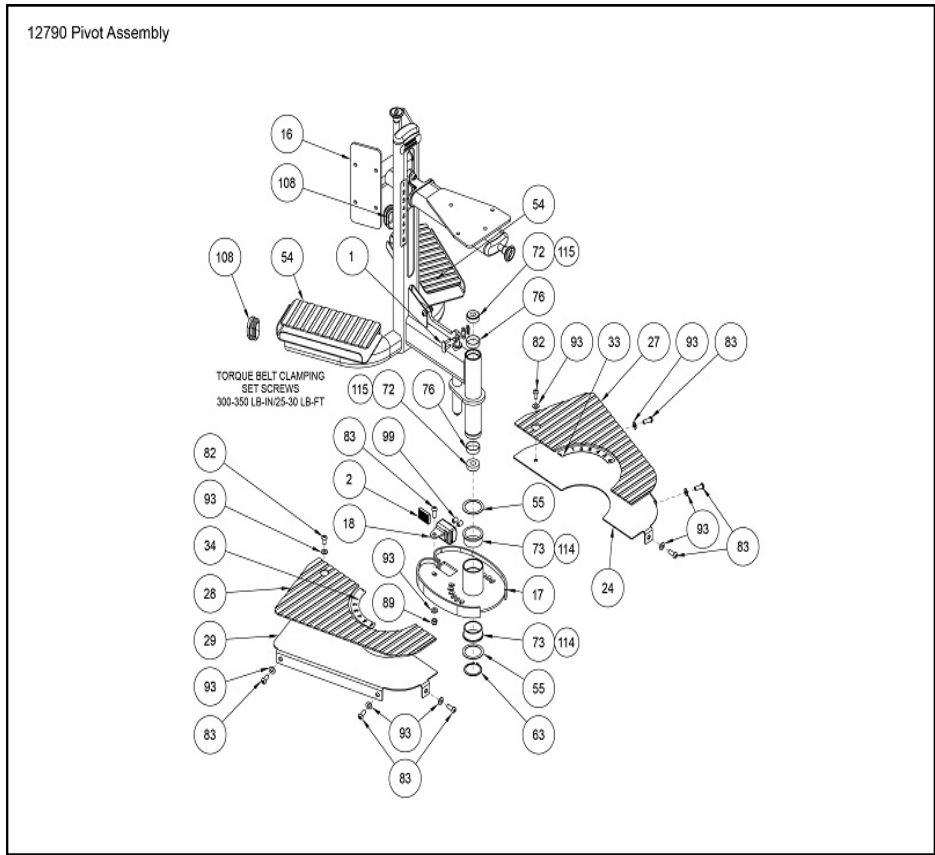
Ref #	Part Number	Qty	Description
86	HF449063	2	INSERT 3-4X1-4-20 CONNECTOR
87	HF700000	8	PANEL FASTNER .375-16 U TYPE
89	HN704901	1	LOCKNUT .375-16 NYLON
93	HS347600	1	WASHER SAE .375
94	HT512517	3	TAP SC 10-24 X 1.00 TYPE WB PN HD PHIL BLK
95	HT552515	1	TAP SC NO. 8-16 X .75 PLASTITE PN HD PHIL BLK
101	JC620422	2	BHSCS .250-20 X 1.50
102	JC700412	1	BHSCS .375-16 X .50
106	JS347400	2	LOCKWASHER INT TOOTH .375
107	PP130002	2	INSERT DOMED PLASTIC
110	PU060204	2	BUMPER
111	YA000201	1	ADH THRD LKR REM .02 OZ 242
112	YA000222	1	ADH BNDG CYANOACRYLATE
114	YG000002	1	NLA: Please use Lithium Grease

12790 Panel Assembly



Ref #	Part Number	Qty	Description
4	11040-790	1	NLA: DECAL, MADE IN THE USA
35	12190-598	1	Placard VR3 Torso
41	12600-350	1	FORMED PLATE
42	12630-351	1	FORMED PLATE
43	12600-390	1	MOLDED TOP CAP
44	12600-392	1	PANEL INSERT, PLANET FITNESS
46	12790-370	1	DECAL, TORSO
47	12790-391	1	PANEL INSERT, PLANET FITNESS
60	510-1108	2	TAPE BOX SEALING CLEAR
68	DE000001	1	Decal Warning Custom
69	DE000005	1	Decal Caution Custom
77	FO100007	24	O RING .156 ID X .344 OD
83	HC700417	2	BHSCS .375-16 X 1.00
91	HS100000	24	WASHER NYLON FINISHING
94	HT512517	8	TAP SC 10-24 X 1.00 TYPE WB PN HD PHIL BLK
96	HT572512	24	TAP SC NO. 10 - 24 X .50 PN HD PHIL

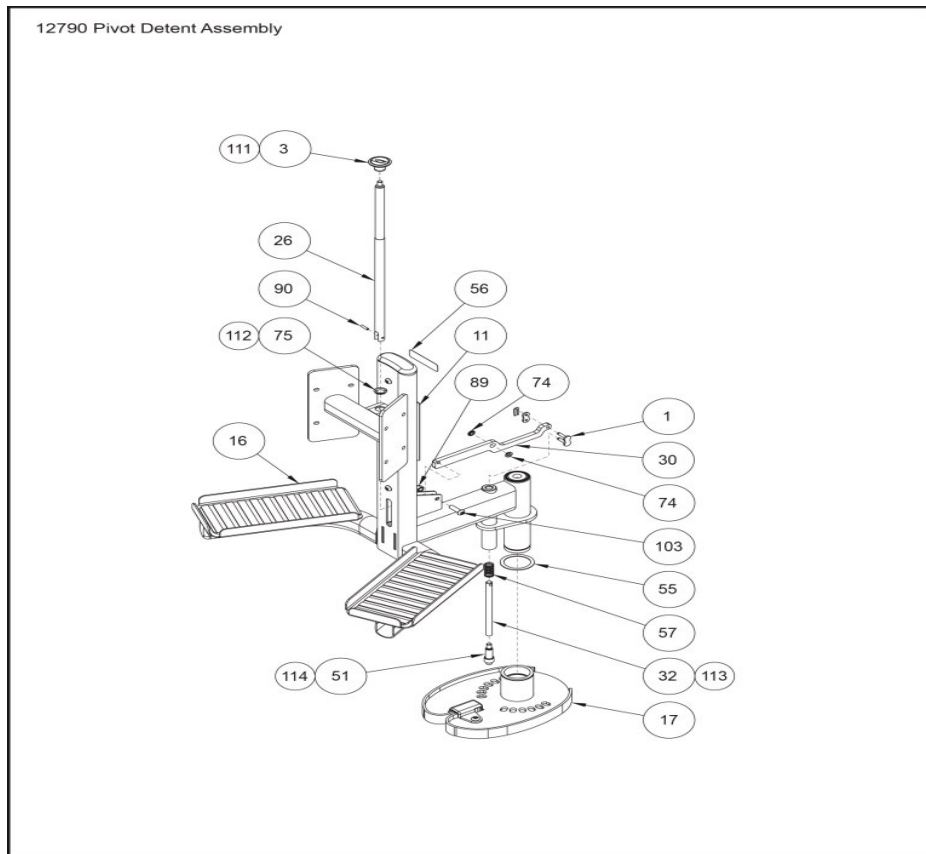
12790 Pivot Assembly



Ref #	Part Number	Qty	Description
1	01989	1	CONNECTING LINK SINGLE
2	11040-301	1	INSERT CLAMP BLOCK
16	12190-202	1	W PIVOT Custom
17	12190-203	1	P CAM
18	12190-204	1	C BELT CLAMP
24	12190-333	1	GUARD Custom
27	12190-348	1	NON-SLIP
28	12190-349	1	NON-SLIP
29	12190-351	1	GUARD Custom
33	12190-358	1	DECAL START POSITION
34	12190-359	1	DECAL START POSITION
54	4710-321	2	NON-SLIP
55	4715-336	2	P WASHER
63	BR030213	1	RETAINING RING 2.00 EXTERNAL
72	FB030240	2	BEARING TAPERED ROLLER
73	FB130206	2	BRG FLG 2.00 X 2.25 1.00 LG
76	FC030006	2	TOLERANCE RING 1.575 ID
82	HC700415	2	BHSCS .375-16 X .75
83	HC700417	7	BHSCS .375-16 X 1.00
89	HN704901	1	LOCKNUT .375-16 NYLON
93	HS347600	9	WASHER SAE .375
99	HY740000	2	SET SCREW

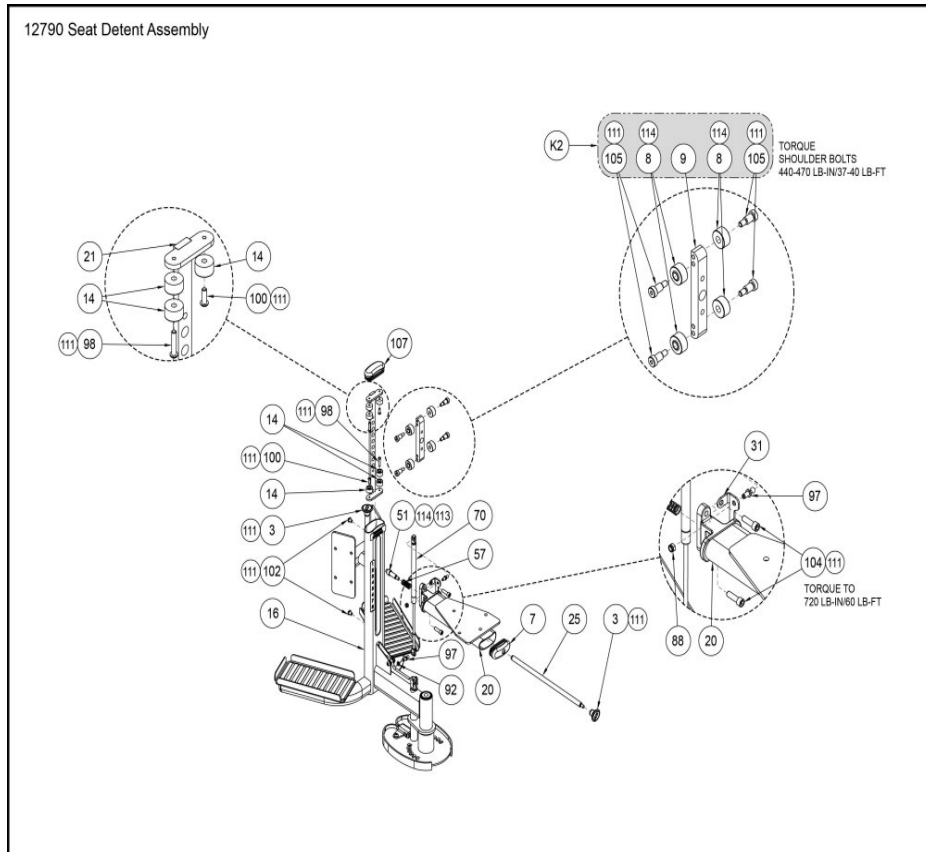
Ref #	Part Number	Qty	Description
108	PP130003	2	INSERT PLASTIC
114	YG000002	1	NLA: Please use Lithium Grease
115	YG000007	1	NLA: GREASE TRANS LUBRIPLATE 1200-2

12790 Pivot Detent Assembly



Ref #	Part Number	Qty	Description
1	01989	1	CONNECTING LINK SINGLE
3	11040-440	1	KNOB
11	12070-329	1	DECAL ADJUSTING
16	12190-202	1	W PIVOT Custom
17	12190-203	1	P CAM
26	12190-344	1	ROD
30	12190-353	1	BAR PIVOT
32	12190-357	1	SHAFT EXTENSION
51	4505-329	1	PIN DETENT
55	4715-336	1	P WASHER
56	4715-341	1	DECAL DETENT
57	4715-346	1	COM SPRING .72 X 1.50 LG
74	FB130209	1	BRG FLG .375 X .500 X .125
75	FB130210	1	BRG NYLINER
89	HN704901	1	LOCKNUT .375-16 NYLON
90	HP286715	1	ROLL PIN .188 X .75
103	JC700420	1	BHSCS .375-16 X 1.25
111	YA000201	1	ADH THRD LKR REM .02 OZ 242
112	YA000222	1	ADH BNDG CYANOACRYLATE
113	YA000226	1	LOCTITE 680 .5 ML
114	YG000002	1	NLA: Please use Lithium Grease

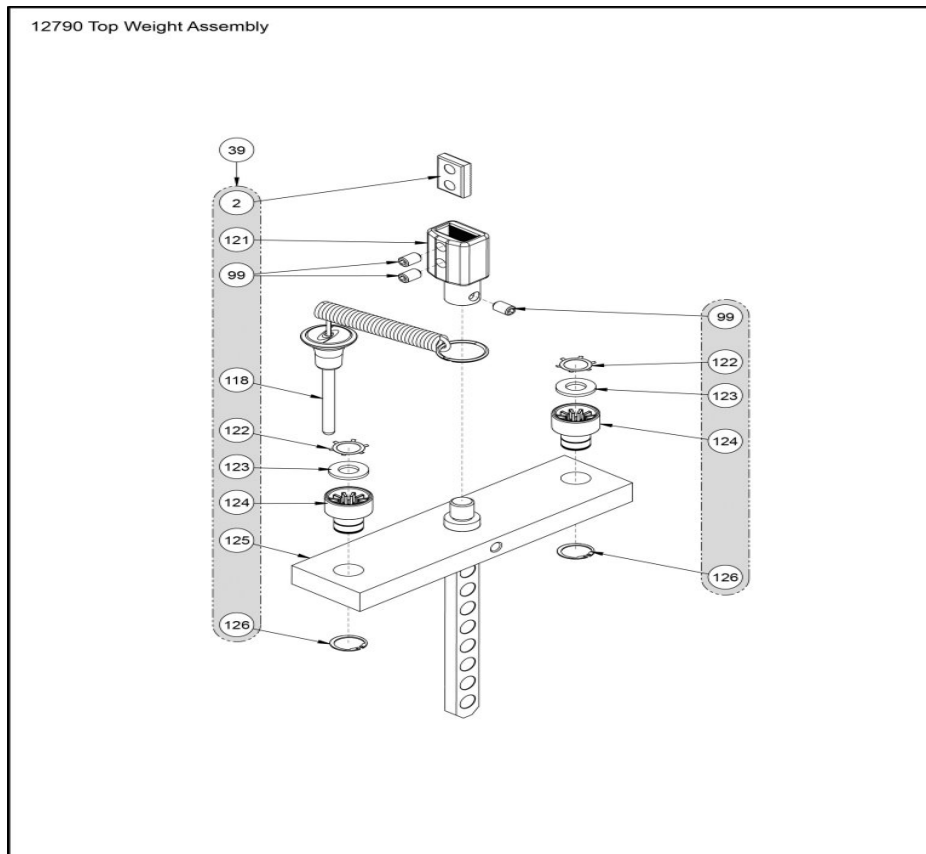
12790 Seat Detent Assembly



Ref #	Part Number	Qty	Description
3	11040-440	2	KNOB
7	12000-344	1	INSERT PLASTIC
8,9,K2	12000K012	6	KIT. ROLLER ASSEMBLY
14	12100-303	6	BUMPER
16	12190-202	1	W PIVOT Custom
20	12190-206	1	W SEAT Custom
21	12190-208	1	P DETENT BAR
25	12190-341	1	SHAFT EXTENSION
31	12190-354	1	MOUNT GAS SPRING
51	4505-329	1	PIN DETENT
57	4715-346	1	COM SPRING .72 X 1.50 LG
70	EZ000008	1	GAS SPRING 100N
88	HN664900	1	LOCKNUT .312-18 NYLON INSERT
92	HS328300	1	LOCKWASHER SPLIT .312
97	HX-60184	1	BALL,STUD,5/16 -18X10MM
98	HX620420	2	BHSCS .250-20 X 1.250
100	JC620415	2	BHSCS .250-20 X .75
102	JC700412	2	BHSCS .375-16 X .50
104	JC702820	2	SHCS .375-16 X 1.25
105	JD383315	4	S BOLT .500 X .75 .375-16
107	PP130002	1	INSERT DOMED PLASTIC
111	YA000201	1	ADH THRD LKR REM .02 OZ 242

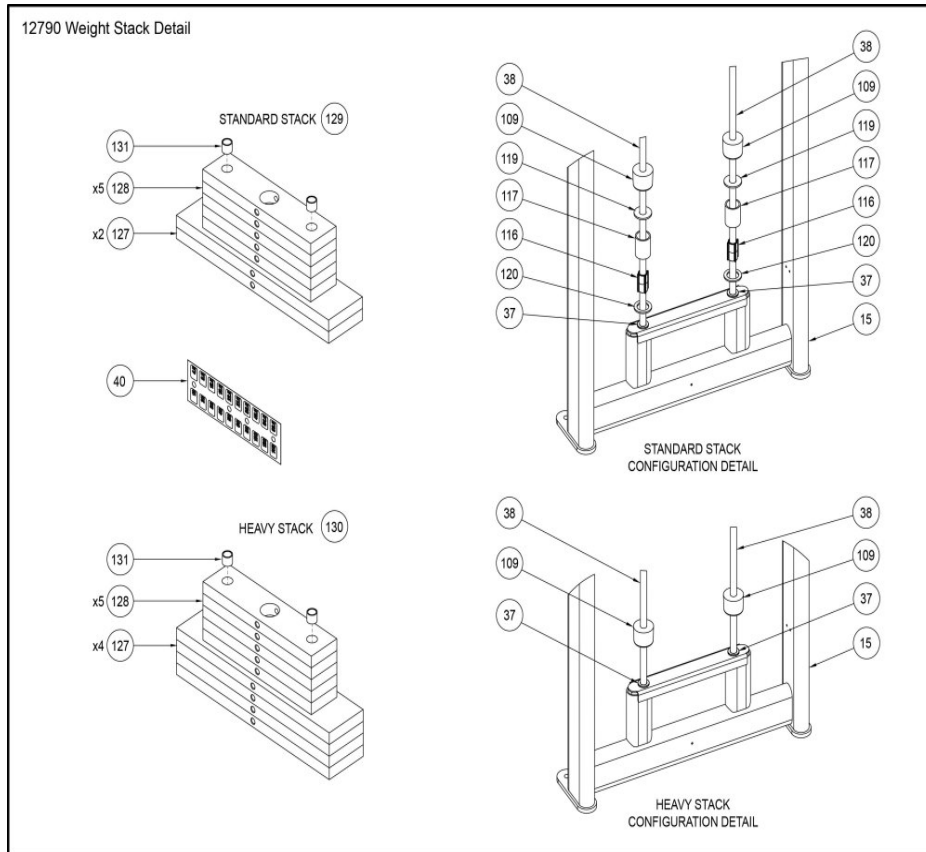
Ref #	Part Number	Qty	Description
113	YA000226	1	LOCTITE 680 .5 ML
114	YG000002	1	NLA: Please use Lithium Grease

12790 Top Weight Assembly



Ref #	Part Number	Qty	Description
2	11040-301	1	INSERT CLAMP BLOCK
39	12301-006	1	Top Weight Assy 10
99	HY740000	3	SET SCREW
118	BH030207	1	PIN WEIGHT SELECTOR
121	11040-216	1	P BELT CLAMP
122	BR030220	2	RETAINING RING 1.250 INTERNAL
123	HS720004	2	WASHER FELT .641 ID X 1.250 OD X .125 T
124	13000-364	2	BEARING FLNG .62 ID X .92 OD X 1.75 LG
125	4700-265	1	C Top WT 10-3X12
126	BR030206	2	RETAINING RING

12790 Weight Stack Detail



Ref #	Part Number	Qty	Description
15	12190-200	1	W FRAME Custom
37	12210-348	2	CAP GUIDE ROD
38	12210-350	2	WT ROD .625 DIA X 49.53
40	12301-551	1	DECAL, WT PLATE GRADUATED (10-140)
109	PR060005	2	BUMPER WEIGHT
116	12210-352	2	INSERT PLASTIC
117	12210-358	2	TUBE SPACER
119	HS760106	2	WASH FLAT 1.750 .688 .140 T
120	JS497600	2	WASHER 1.19 ID X 1.75 OD X .12 THK
127	4000C101	4	C STACK WT 4X18
128	4700-337	5	C Stack Weight 10 lbs exact
129	12301-034	1	WT PAC 7 GRADUATED
130	12301-030	1	WT Pac 9 Graduated
131	FB130216	2	Bushing Weight Stack

