

VR1 Non Positioning Leg Curl

13060-10

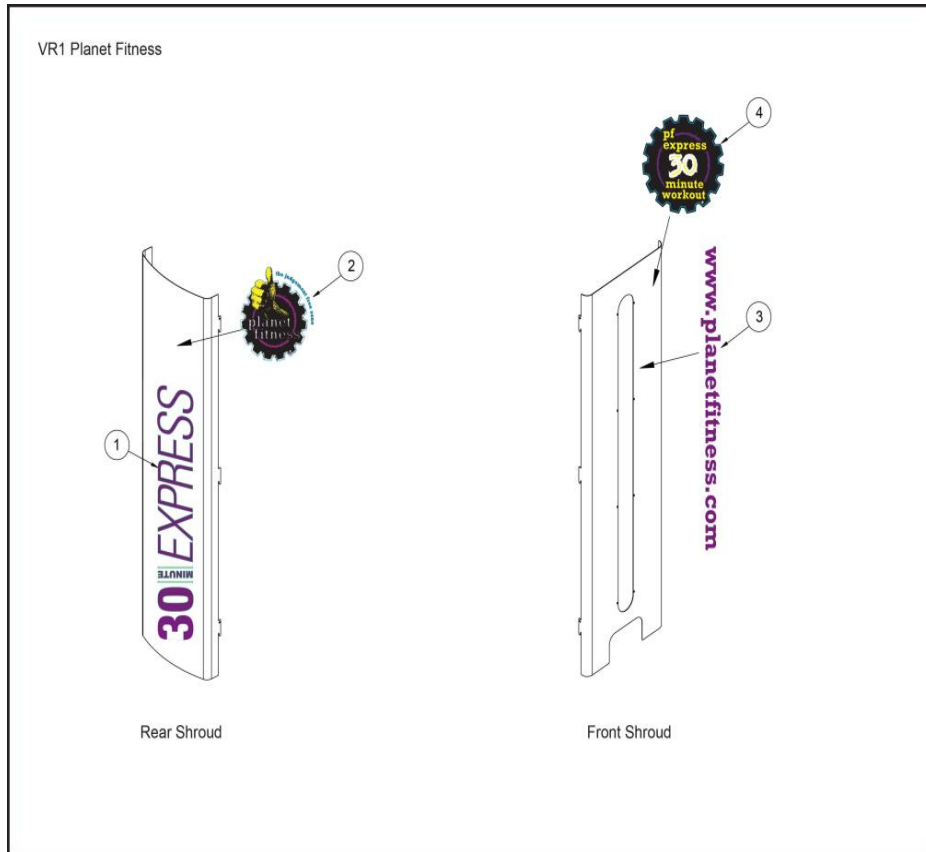
Parts Manual

1/5/2019 2:41:46 AM

Table of Contents

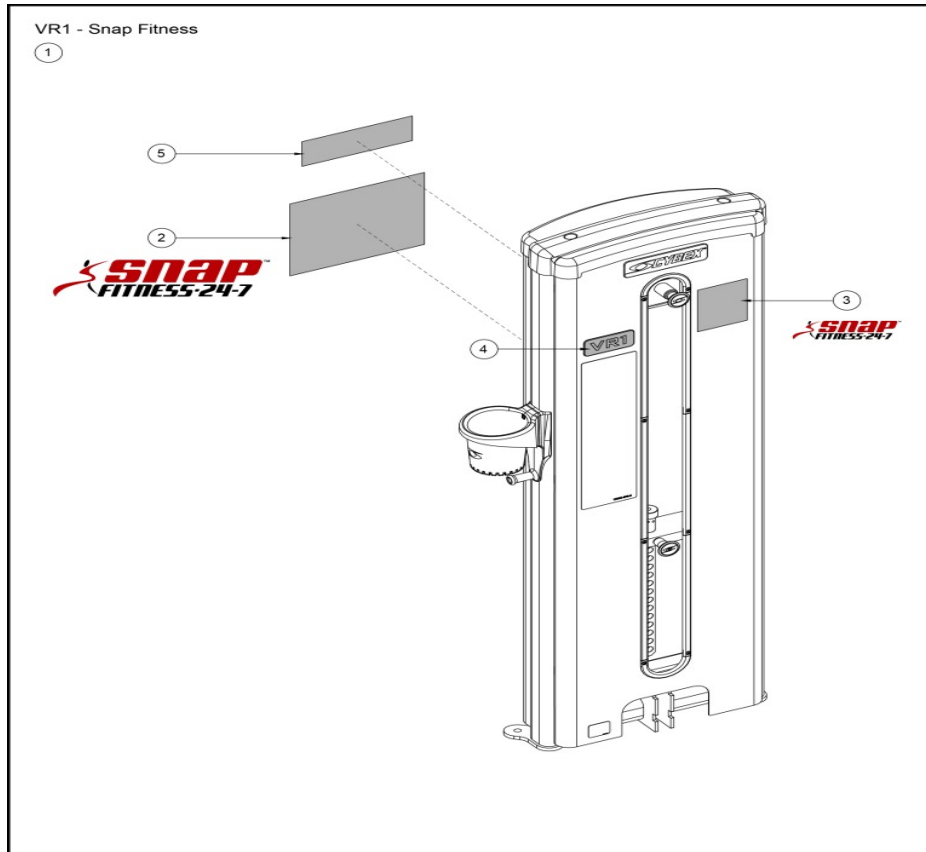
VR1 Planet Fitness	3
VR1 Snap Fitness	4
VR1 YouFit	5
13060 Arm Assembly	6
13060 Cable Routing	7
13060 Cam Assembly	8
13060 Frame Assembly	10
13060 Half weight assembly	12
13060 Panel Assembly	13
13060 Parts not shown	15
13060 Weight Assembly	16

VR1_Planet_Fitness



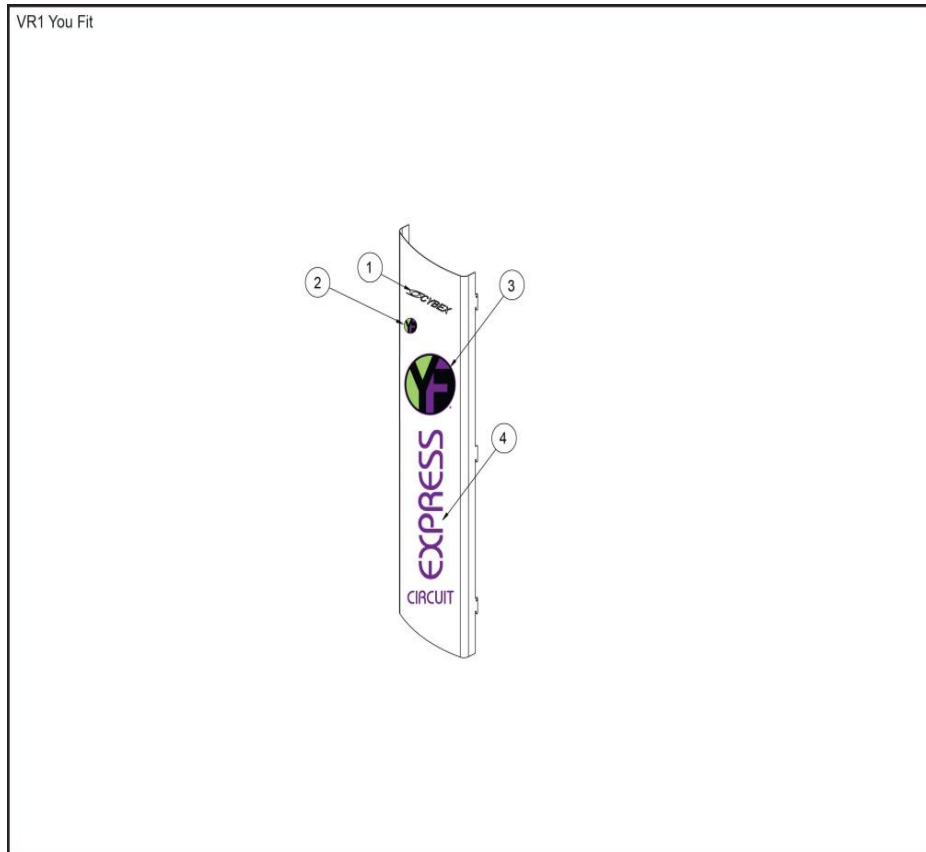
Ref #	Part Number	Qty	Description
1	DE-60250	1	PLANET FITNESS 30 MIN. EXPRESS DECAL (LARGE WORDS)
2	DE-60248	1	Planet Fitness Thumb Decal
3	DE-60253	1	WWW.PLANETFITNESS.COM (PURPLE) DECAL
4	DE-60249	1	PLANET FITNESS 30 MIN. EXPRESS GEAR DECAL

VR1_Snap_Fitness



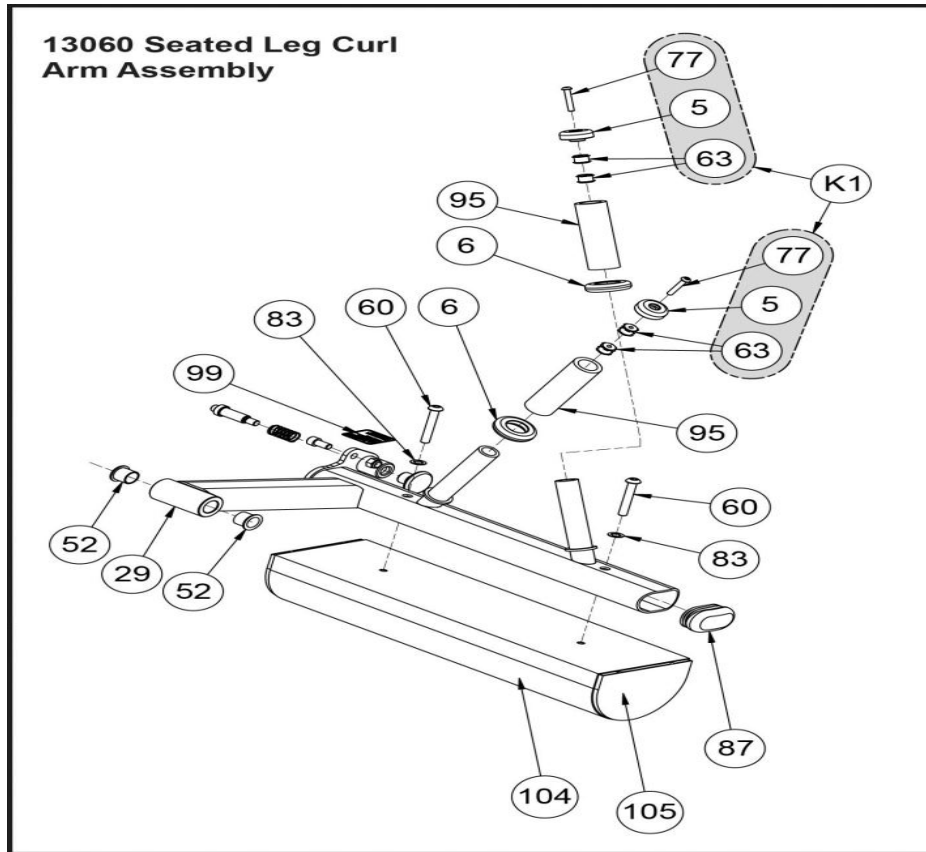
Ref #	Part Number	Qty	Description
1	13000-025S	1	SNAP FITNESS DECALS, VR1
2	21000-409	1	DECAL, SNAP FITNESS 14.00
3	21000-408	1	DECAL, SNAP FITNESS 6.00
4	13000-399	1	Decal VR1
5	3900-447	1	DECAL CYBEX 1.94 HOR BLACK

VR1_YouFit



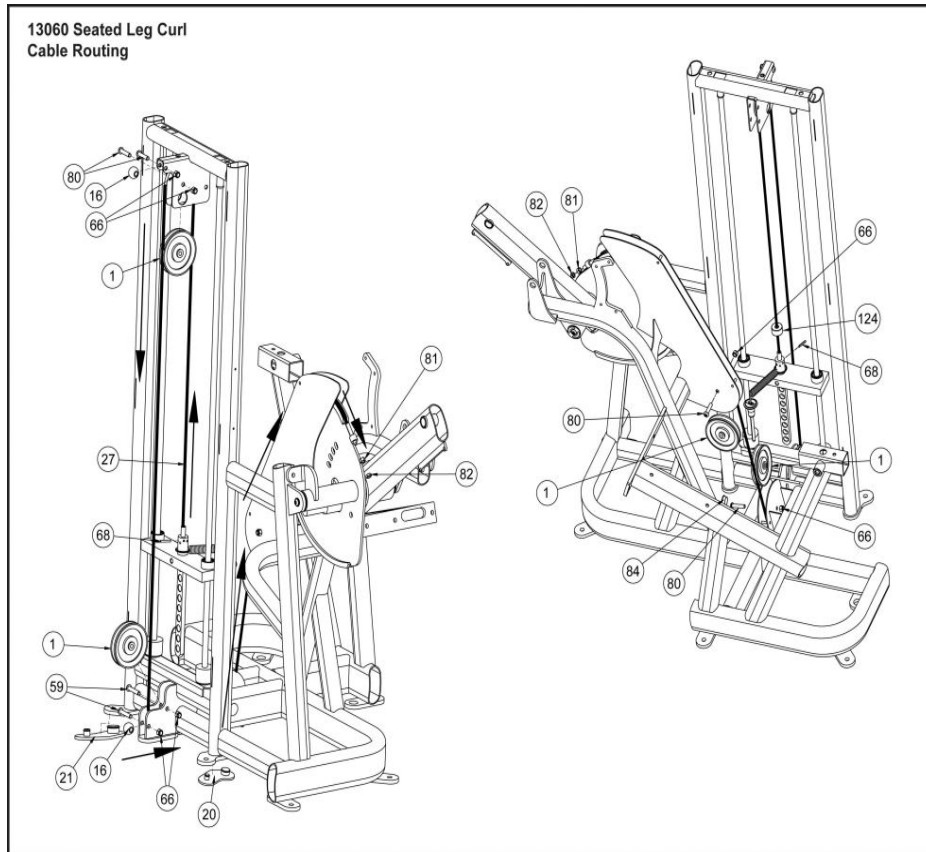
Ref #	Part Number	Qty	Description
1	3900-443	1	DECAL CYBEX BLACK
2	DE-60270	1	DECAL, YF CIRCLE SMALL
3	DE-60271	1	DECAL, YF CIRCLE LARGE
4	DE-60273	1	DECAL, EXPRESS CIRCUIT LARGE

13060_Arm_Assembly



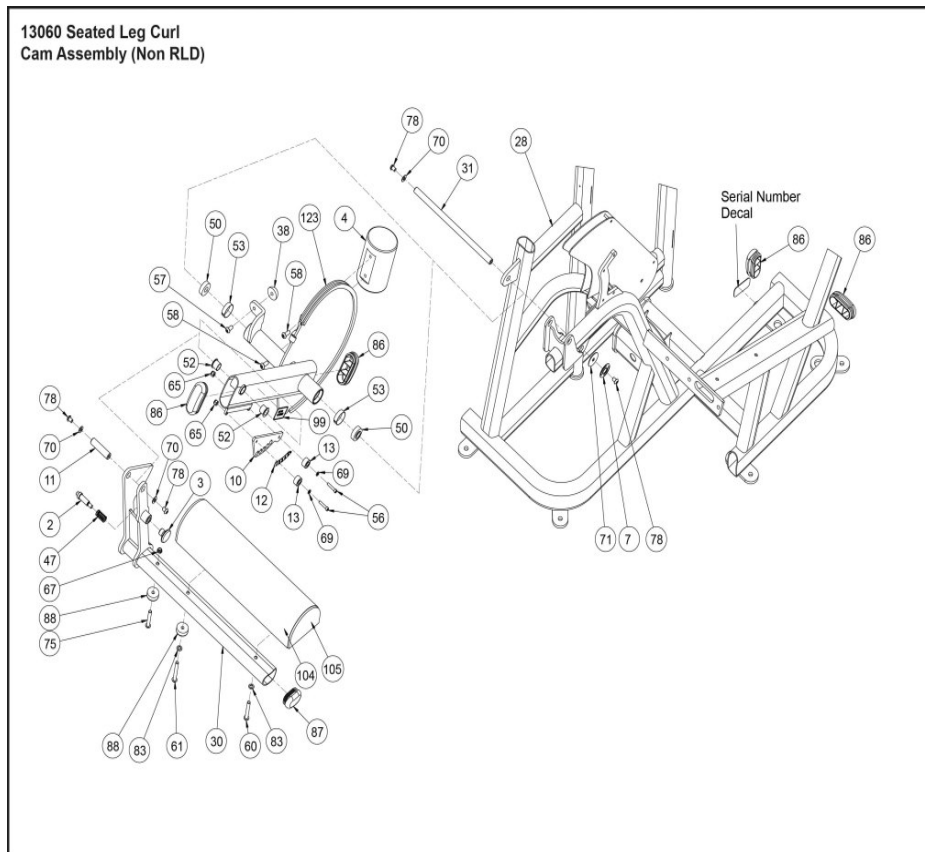
Ref #	Part Number	Qty	Description
K1	11090K006	1	KIT HANDLE TRIM RING
5	11090-374	2	END CAP
6	11090-376	2	RING HANDLE GRIP
29	13060-203	1	W Cushion Pivot Custom
52	FB130212	1	BUSHING FLANGE FOOTPLATE.75ID
60	HC700430	2	BHSCS .375-16 X 2.50
63	HF449063	4	INSERT 3-4X1-4-20 CONNECTOR
77	JC620422	2	BHSCS .250-20 X 1.50
83	JS347400	2	LOCKWASHER INT TOOTH .375
87	PP130003	1	INSERT PLASTIC
95	4605-514	2	GRAB GRIP 4.50
99	8500-025	1	DECAL CAUTION Custom
104	4800-196	1	COVERED CUSHION AS CONTOUR 20 Custom
105	4800-199	1	WEAR COVER CS Custom

13060_Cable_Routing



Ref #	Part Number	Qty	Description
1	08014	4	PULLEY ASSEMBLY-4.50
16	13000-322	2	Roller
20	13000-354	5	Foot Pad
21	13000-355	1	Foot Pad
27	13060-002	1	Cable Assembly
59	HC700426	2	BHSCS .375-16 X 2.00
66	HN704901	6	LOCKNUT .375-16 NYLON
68	HP286819	1	SPIRAL PIN .188 X 1.12
80	JC700424	3	BHSCS .375-16 X 1.75
81	JN714200	2	HEX NUT .375-24
82	JN714400	2	JAM NUT .375-24
84	PN660200	1	INSERT PLASTIC 1.00 DIA-11 GA
124	13000-385	1	STOP

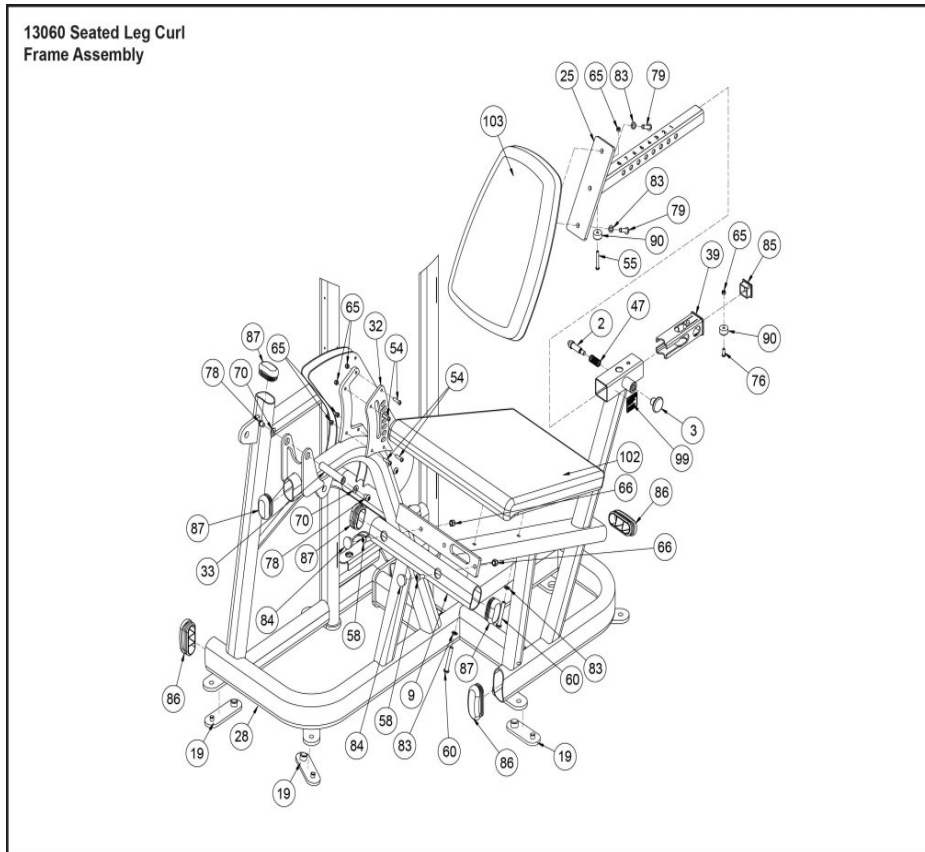
13060_Cam_Assembly



Ref #	Part Number	Qty	Description
2	08229	1	P PIN DETENT
3	11040-440	1	KNOB
4	11070-332	1	C COUNTERWEIGHT
7	11100-400	1	DECAL ROTATION
10	12060-336	1	P DETENT PLATE
11	12060-346	1	PIN PIVOT
12	12060-356	1	DECAL ADJUSTING
13	12100-303	2	BUMPER
28	13060-200	1	W Main Frame Custom
30	13060-205	1	W Cushion Arm Custom
31	13060-318	1	Shaft Pivot
38	4505-331	1	BUMPER 1.50 DIA
47	BS070201	1	COM SPRING .56 ID X .66 OD X 1.50 LG
50	FB030232	2	BRG RADIAL 17MM ID EXT RACE
52	FB130212	2	BUSHING FLANGE FOOTPLATE.75ID
53	FC030006	2	TOLERANCE RING 1.575 ID
56	HC622820	2	SHCS .250-20 X 1.25
57	HC700415	1	BHSCS .375-16 X .75
58	HC700417	1	BHSCS .375-16 X 1.00
60	HC700430	10	BHSCS .375-16 X 2.50
61	HC700432	10	BHSCS .375-16 X 2.75
65	HN625200	2	LOCKNUT .250-20 NYLON HVY

Ref #	Part Number	Qty	Description
67	HN704902	10	LOCKNUT NYLON .375-16
69	HS307601	10	WASH FLAT .281 .500 .062 T
70	HS347600	10	WASHER SAE .375
71	HS347702	10	WASHER FLAT .387 ID X 1.753 OD X .06 T
75	HX700428	10	BHSCS .375-16 x 2.25 SS
78	JC700412	10	BHSCS .375-16 X .50
83	JS347400	10	LOCKWASHER INT TOOTH .375
86	PP130002	1	INSERT DOMED PLASTIC
87	PP130003	1	INSERT PLASTIC
88	PR060003	2	BUMPER RECESS
99	8500-025	1	DECAL CAUTION Custom
104	4800-196	1	COVERED CUSHION AS CONTOUR 20 Custom
105	4800-199	1	WEAR COVER CS Custom
123	13060-207	1	W Input Arm Custom

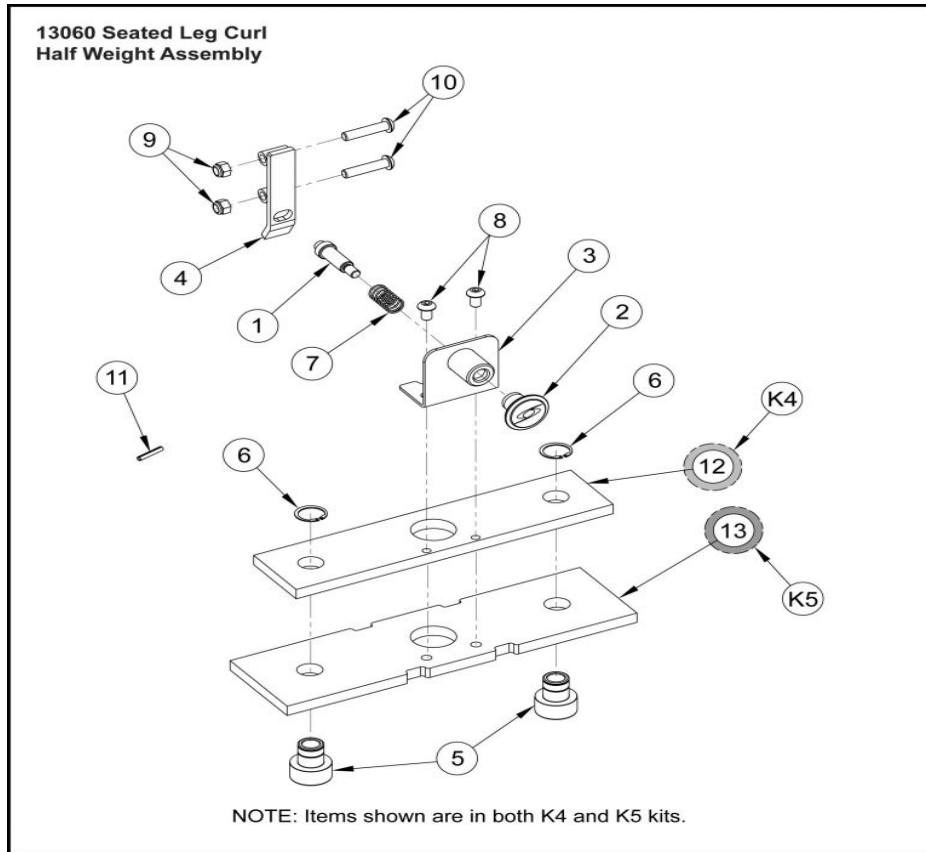
13060_Frame_Assembly



Ref #	Part Number	Qty	Description
2	08229	1	P PIN DETENT
3	11040-440	1	KNOB
9	12060-317	1	TUBE SUPPORT
19	13000-353	6	Foot Pad
25	13050-207	1	P Cushion Tube
28	13060-200	1	W Main Frame Custom
32	13060-321	1	Plate Pivot
33	13060-327	1	Pin Pivot
39	4605-511	1	INSERT PLASTIC 5.94
47	BS070201	1	COM SPRING .56 ID X .66 OD X 1.50 LG
54	HC620417	10	BHSCS .250-20 X 1.00
55	HC620431	10	BHSCS .250-20 X 2.00
58	HC700417	10	BHSCS .375-16 X 1.00
60	HC700430	10	BHSCS .375-16 X 2.50
65	HN625200	10	LOCKNUT .250-20 NYLON HVY
66	HN704901	10	LOCKNUT .375-16 NYLON
70	HS347600	10	WASHER SAE .375
76	JC620415	10	BHSCS .250-20 X .75
78	JC700412	10	BHSCS .375-16 X .50
79	JC700420	10	BHSCS .375-16 X 1.25
83	JS347400	10	LOCKWASHER INT TOOTH .375
84	PN660200	1	INSERT PLASTIC 1.00 DIA-11 GA

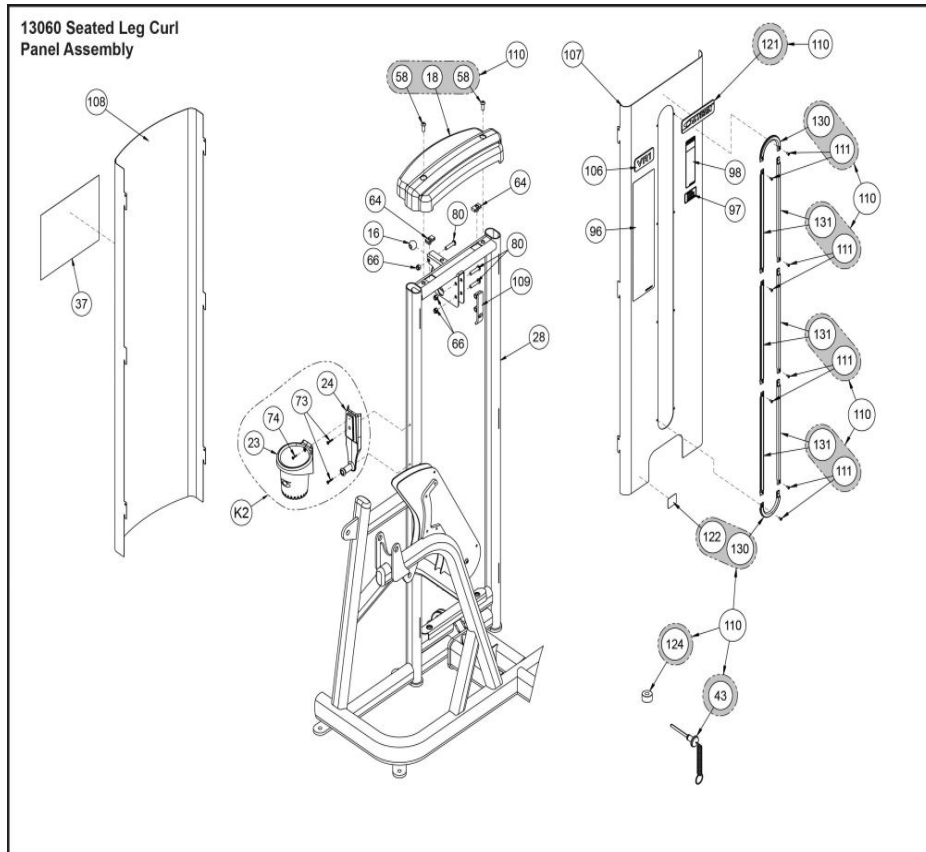
Ref #	Part Number	Qty	Description
85	PP090211	1	INSERT PL 1.50 SQ X 10-14 GA
86	PP130002	2	INSERT DOMED PLASTIC
87	PP130003	3	INSERT PLASTIC
90	PR069400	2	BUMPER RECESS
99	8500-025	1	DECAL CAUTION Custom
102	01655	1	COVERED CUSHION SA TPR 20X20 Custom
103	4800-176	1	CUSHION SA BACK 18 MOLDED Custom

13060_Half_weight_assembly



Ref #	Part Number	Qty	Description
1	08229	1	P PIN DETENT
2	11040-440	1	KNOB
3	13000-206	1	C Half Weight Latch
K4	13000K004	1	Kit Half Weight 5 lb
4	13000-208	1	P Latch
K5	13000K005	1	Kit Half Weight 7.5 lb
5	13000-364	2	BEARING FLNG .62 ID X .92 OD X 1.75 LG
6	BR030206	2	RETAINING RING
7	BS070201	1	COM SPRING .56 ID X .66 OD X 1.50 LG
8	HC700414	2	BHSCS .375-16 X .62
9	HN704901	2	LOCKNUT .375-16 NYLON
10	JC700424	2	BHSCS .375-16 X 1.75
11	HP286819	1	SPIRAL PIN .188 X 1.12
12	13000-352	1	C Half Weight 5 lbs
13	13000-363	1	C Half Weight 7.5 lbs

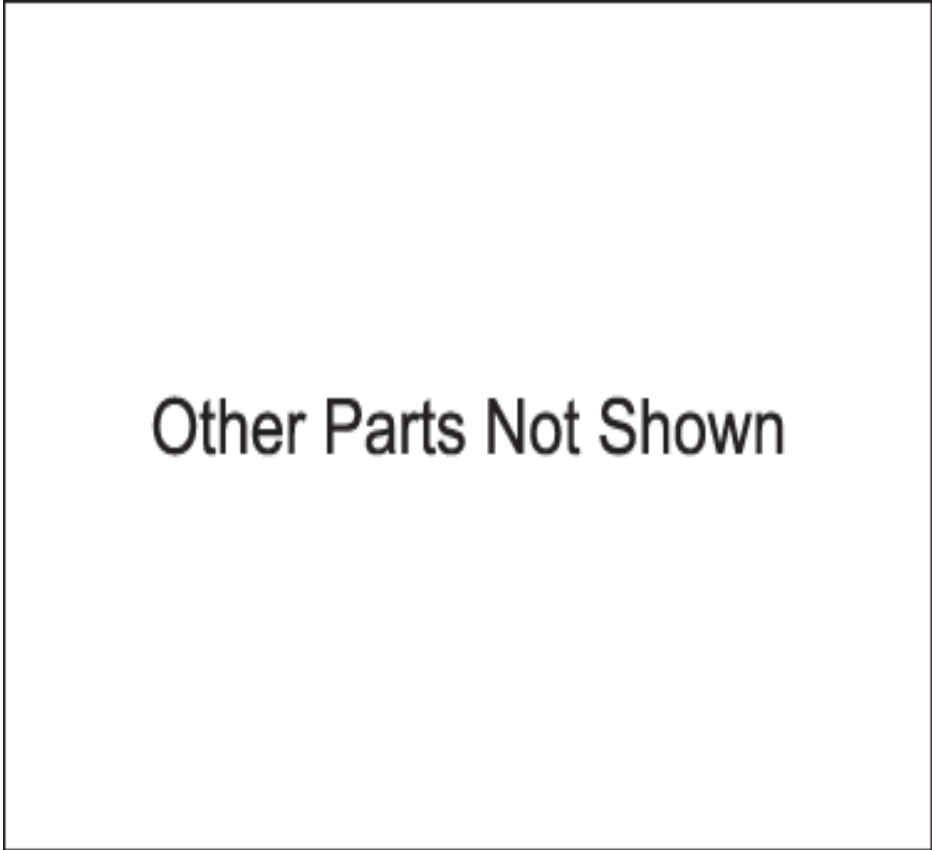
13060_Panel_Assembly



Ref #	Part Number	Qty	Description
K2	13000K003	1	Kit Water Bottle Holder
16	13000-322	2	Roller
18	13000-342	1	Molded Top Cap
23	13000-400	1	Holder Water Bottle
24	13000-403	1	Mount Water Bottle Holder
28	13060-200	1	W Main Frame Custom
37	3900-441	1	DECAL CYBEX VER BLACK
37	3900-442	1	DECAL CYBEX VER SILVER
43	BH030207	1	PIN WEIGHT SELECTOR
58	HC700417	2	BHSCS .375-16 X 1.00
64	HF700000	2	PANEL FASTNER .375-16 U TYPE
66	HN704901	2	LOCKNUT .375-16 NYLON
73	HT512517	2	TAP SC 10-24 X 1.00 TYPE WB PN HD PHIL BLK
74	HT552515	1	TAP SC NO. 8-16 X .75 PLASTITE PN HD PHIL BLK
80	JC700424	3	BHSCS .375-16 X 1.75
96	13060-598	1	Placard VR1 Seated Leg Custom
97	DE000005	1	Decal Caution Custom
98	DE000001	1	Decal Warning Custom
106	13000-399	1	Decal VR1
107	13000-343	3	Guard Slotted Weight Formed
108	13000-346	3	Guard Formed Custom
109	13000-208	1	P Latch

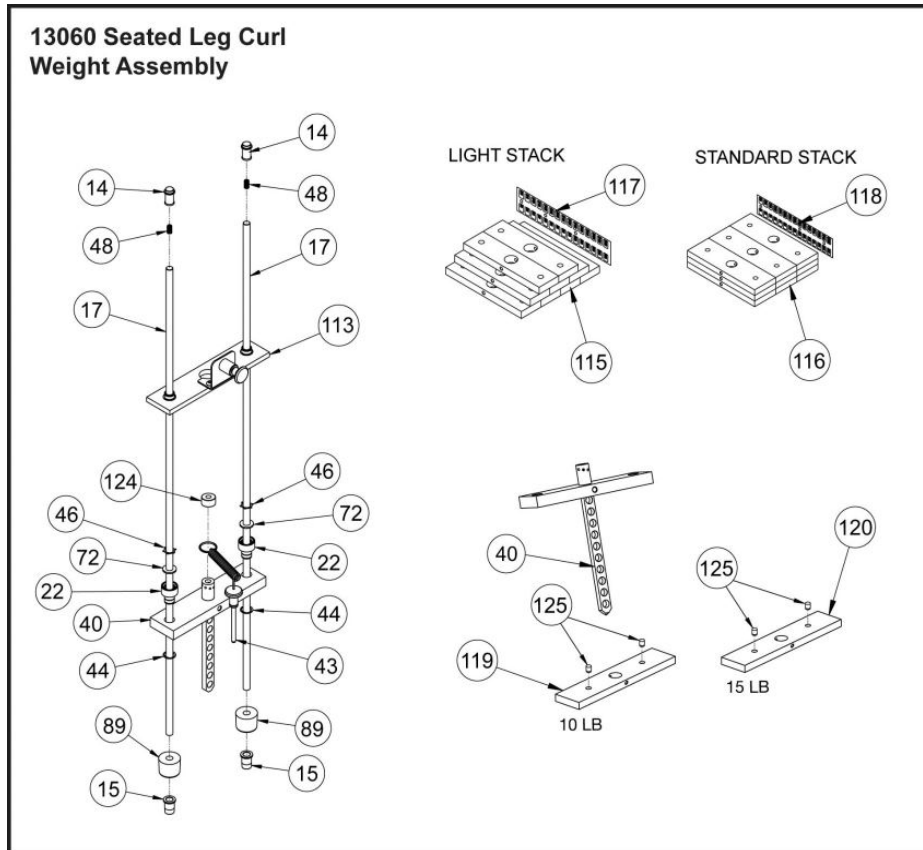
Ref #	Part Number	Qty	Description
110	13000-100	1	Edge Trim Assembly
111	HT552511	10	TAP SC #8-16 X .38 TAP BLACK PLASTITE
121	13000-398	1	DECAL, CYBEX
122	11040-790	1	NLA: DECAL, MADE IN THE USA
124	13000-385	1	STOP
130	13000-344	2	Edge Trim
131	13000-345	6	Edge Trim

13060_Parts_not_shown



Ref #	Part Number	Qty	Description
K3	13000K007	1	Kit Hardware VR1

13060_Weight_Assembly



Ref #	Part Number	Qty	Description
14	12210-347	2	CAP GUIDE ROD
15	12210-348	2	CAP GUIDE ROD
17	13000-326	2	Wt Rod .625 Dia x 51.51
22	13000-364	2	BEARING FLNG .62 ID X .92 OD X 1.75 LG
40	4700C073	1	C TOP WT 10-3X12
43	BH030207	1	PIN WEIGHT SELECTOR
44	BR030206	2	RETAINING RING
46	BR030220	2	RETAINING RING 1.250 INTERNAL
48	BS070208	2	COMP SPRING .396 ID X .480 OD X 1.50 LG
72	HS720004	2	WASHER FELT .641 ID X 1.250 OD X .125 T
89	PR060005	1	BUMPER WEIGHT
113	13000-102	1	Half Weight Assembly 7.5 lb
115	13000-030	1	Wt Pac 10# Black (9)
116	13000-034	1	Wt Pac 15# Black (9)
117	4800-557	1	DECAL WEIGHT PLATE 10-150
118	13000-552	1	Decal Weight Plate (10-220)
119	4700-337	1	C Stack Weight 10 lbs exact
120	4700-338	1	C Stack Weight 15 lbs exact
124	13000-385	1	STOP
125	FB130216	2	Bushing Weight Stack

