

# VR1 Dual Abdominal-Back Extension

13200-10

## Parts Manual

1/5/2019 2:48:52 AM

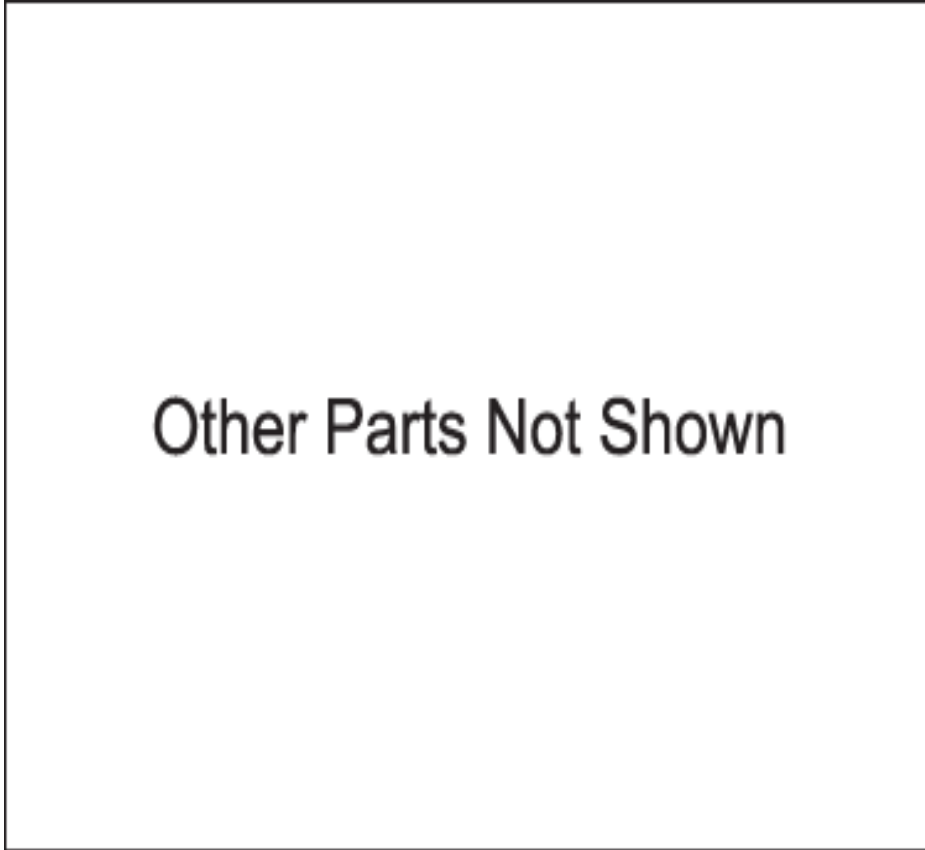
**Table of Contents**

---

[Parts not shown](#).....3  
[13200 Cable Routing](#).....4  
[13200 Foot Rest Assembly](#).....5  
[13200 Half Weight Assembly](#).....6  
[13200 Main Assembly](#).....7  
[13200 Panel Assembly](#).....8  
[13200 Pivot Arm Assembly](#).....10  
[13200 Weight Assembly](#).....12

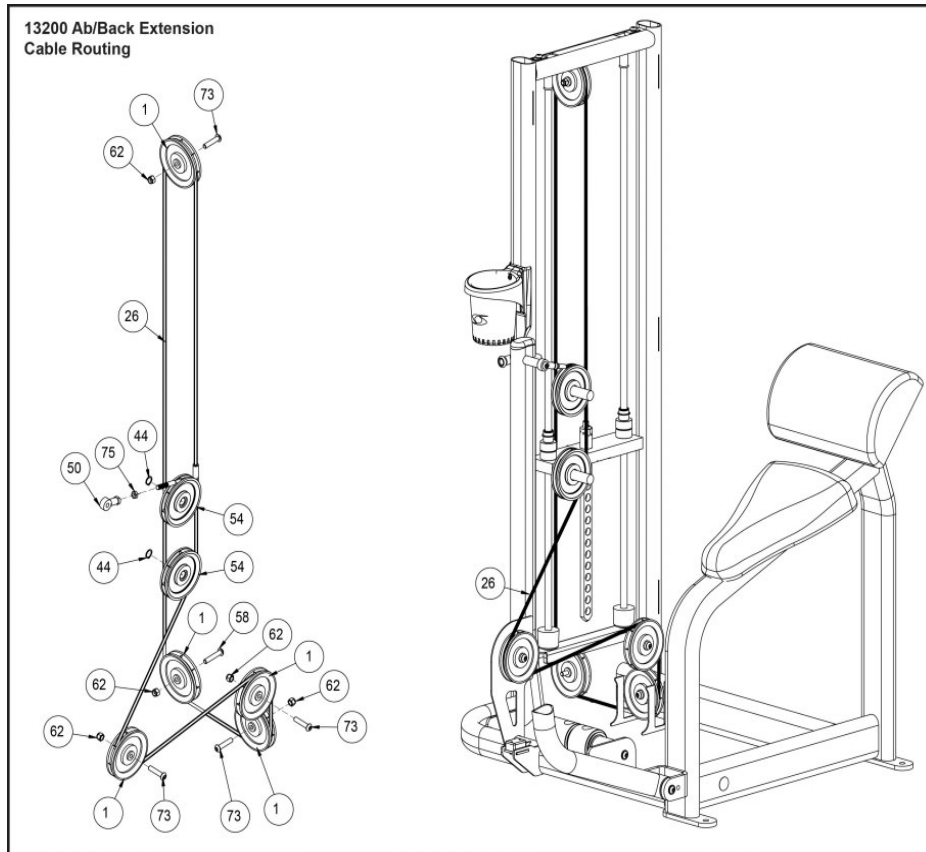
**Parts not shown**

---



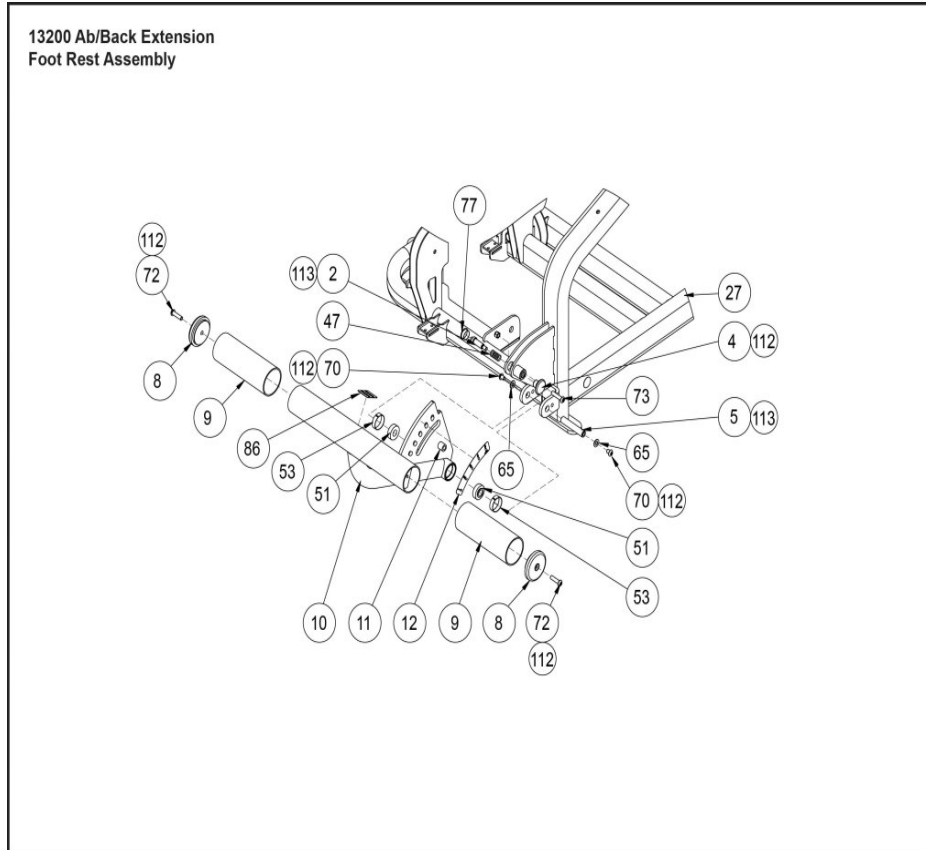
Ref #	Part Number	Qty	Description
K4	13000K007	1	Kit Hardware VR1

# 13200 Cable Routing



Ref #	Part Number	Qty	Description
1	08014	5	PULLEY ASSEMBLY-4.50
26	13200-002	2	Cable S/A
44	BR030210	2	RETAINING RING 17 MM
50	FB030213	1	BRG ROD END FEMALE .375-24
54	GP000000	2	PULLEY ASSEMBLY-4.50
58	HC700426	1	BHSCS .375-16 X 2.00
62	HN704901	5	LOCKNUT .375-16 NYLON
73	JC700424	3	BHSCS .375-16 X 1.75
75	JN714400	1	JAM NUT .375-24

# 13200 Foot Rest Assembly



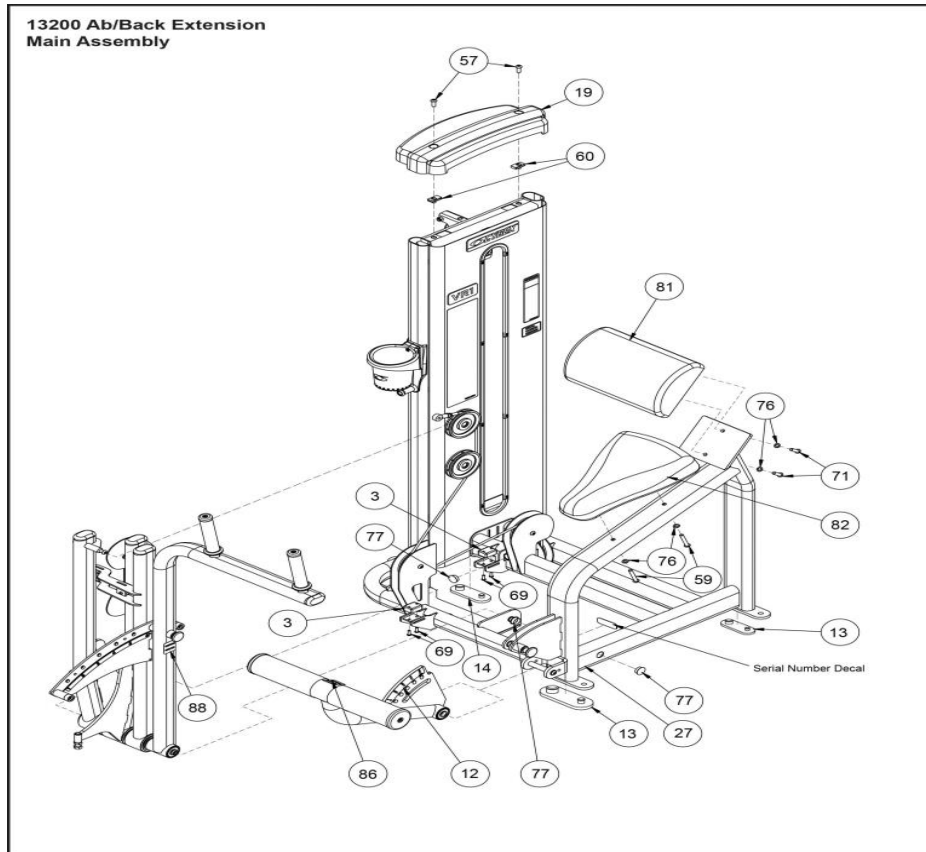
Ref #	Part Number	Qty	Description
2	08229	1	P PIN DETENT
4	11040-440	1	KNOB
5	11080-337	1	SHAFT PIVOT
8	11090-398	2	END CAP
9	11090-400	2	GRIP 8.75
10	12090-202	1	W FOOT REST Custom
11	12090-306	1	SPACER
12	12090-312	1	DECAL FOOT REST ADJUST
27	13200-200	1	W Main Frame Custom
47	BS070201	1	COM SPRING .56 ID X .66 OD X 1.50 LG
51	FB030232	2	BRG RADIAL 17MM ID EXT RACE
53	FC030006	2	TOLERANCE RING 1.575 ID
65	HS347600	2	WASHER SAE .375
70	JC700412	2	BHSCS .375-16 X .50
72	JC700422	2	BHSCS .375-16 X 1.50
73	JC700424	1	BHSCS .375-16 X 1.75
77	PN660200	1	INSERT PLASTIC 1.00 DIA-11 GA
86	8500-025	1	DECAL CAUTION Custom

**13200 Half Weight Assembly**

---

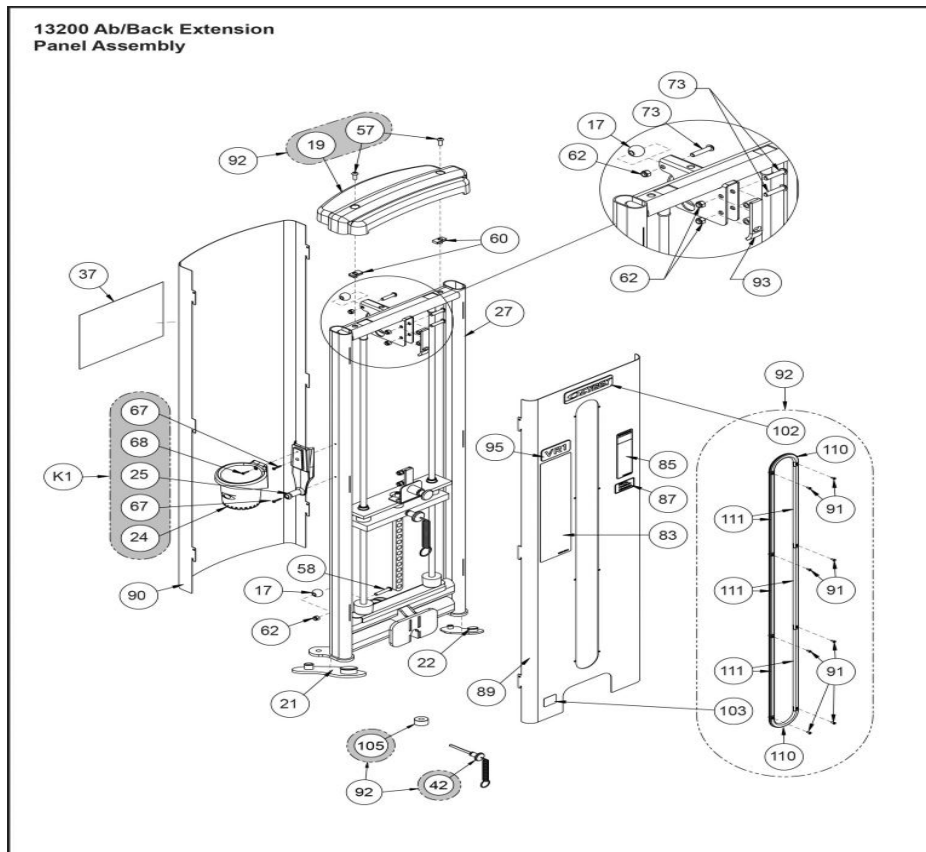
Ref #	Part Number	Qty	Description
2	08229	1	P PIN DETENT
K3	13000K005	3	Kit Half Weight 7.5 lb
4	11040-440	1	KNOB
23	13000-364	2	BEARING FLNG .62 ID X .92 OD X 1.75 LG
43	BR030206	1	RETAINING RING
47	BS070201	1	COM SPRING .56 ID X .66 OD X 1.50 LG
62	HN704901	2	LOCKNUT .375-16 NYLON
64	HP286819	1	SPIRAL PIN .188 X 1.12
73	JC700424	2	BHSCS .375-16 X 1.75
93	13000-208	1	P Latch
94,K2	13000K004	4	Kit Half Weight 5 lb
94	13000-102	1	Half Weight Assembly 7.5 lb
106	13000-206	1	C Half Weight Latch
107	HC700414	1	BHSCS .375-16 X .62
108	13000-352	1	C Half Weight 5 lbs
109	13000-363	1	C Half Weight 7.5 lbs

# 13200 Main Assembly



Ref #	Part Number	Qty	Description
3	11000-384	2	BLOCK STOP
12	12090-312	1	DECAL FOOT REST ADJUST
13	12090-322	2	PAD FOOT
14	13000-353	1	Foot Pad
19	13000-342	1	Molded Top Cap
27	13200-200	1	W Main Frame Custom
57	HC700417	2	BHSCS .375-16 X 1.00
59	HC700430	2	BHSCS .375-16 X 2.50
60	HF700000	2	PANEL FASTNER .375-16 U TYPE
69	JC620415	4	BHSCS .250-20 X .75
71	JC700420	2	BHSCS .375-16 X 1.25
76	JS347400	4	LOCKWASHER INT TOOTH .375
77	PN660200	3	INSERT PLASTIC 1.00 DIA-11 GA
81	4800-127	1	COVERED CUSHION SA CONTOUR 9 X 14 Custom
82	4800-172	1	CUSHION SA BIKE 15in MOLDED Custom
86	8500-025	1	DECAL CAUTION Custom
88	4510-321	1	DECAL CAUTION Custom

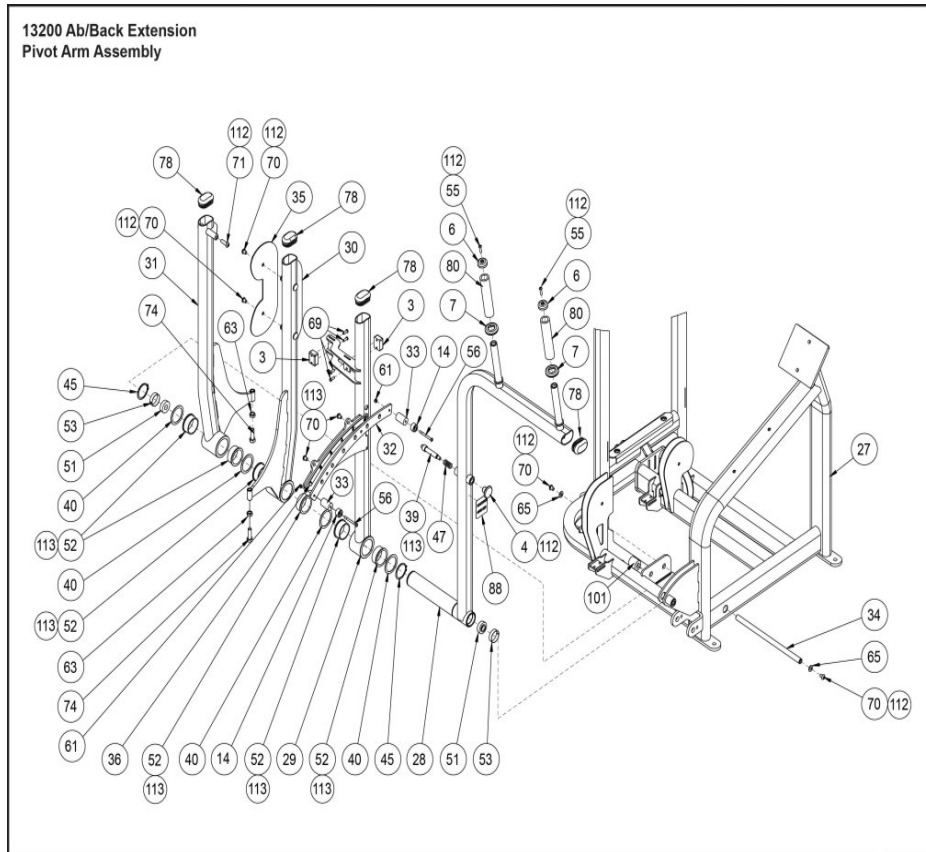
# 13200 Panel Assembly



Ref #	Part Number	Qty	Description
K1	13000K003	1	Kit Water Bottle Holder
17	13000-322	2	Roller
19	13000-342	1	Molded Top Cap
21	13000-354	1	Foot Pad
22	13000-355	1	Foot Pad
24	13000-400	1	Holder Water Bottle
25	13000-403	1	Mount Water Bottle Holder
27	13200-200	1	W Main Frame Custom
37	3900-441	1	DECAL CYBEX VER BLACK
37	3900-442	1	DECAL CYBEX VER SILVER
42	BH030207	1	PIN WEIGHT SELECTOR
57	HC700417	2	BHSCS .375-16 X 1.00
58	HC700426	1	BHSCS .375-16 X 2.00
60	HF700000	2	PANEL FASTNER .375-16 U TYPE
62	HN704901	4	LOCKNUT .375-16 NYLON
67	HT512517	2	TAP SC 10-24 X 1.00 TYPE WB PN HD PHIL BLK
68	HT552515	1	TAP SC NO. 8-16 X .75 PLASTITE PN HD PHIL BLK
73	JC700424	3	BHSCS .375-16 X 1.75
83	13200-598	1	Placard VR1 D Ab Back Custom
85	DE000001	1	Decal Warning Custom
87	DE000005	1	Decal Caution Custom
89	13000-343	1	Guard Slotted Weight Formed

<b>Ref #</b>	<b>Part Number</b>	<b>Qty</b>	<b>Description</b>
89	13000-346	1	Guard Formed Custom
91	HT552511	8	TAP SC #8-16 X .38 TAP BLACK PLASTITE
92	13000-100	3	Edge Trim Assembly
93	13000-208	1	P Latch
95	13000-399	1	Decal VR1
102	13000-398	1	DECAL, CYBEX
103	11040-790	1	NLA: DECAL, MADE IN THE USA
105	13000-385	1	STOP
110	13000-344	2	Edge Trim
111	13000-345	6	Edge Trim

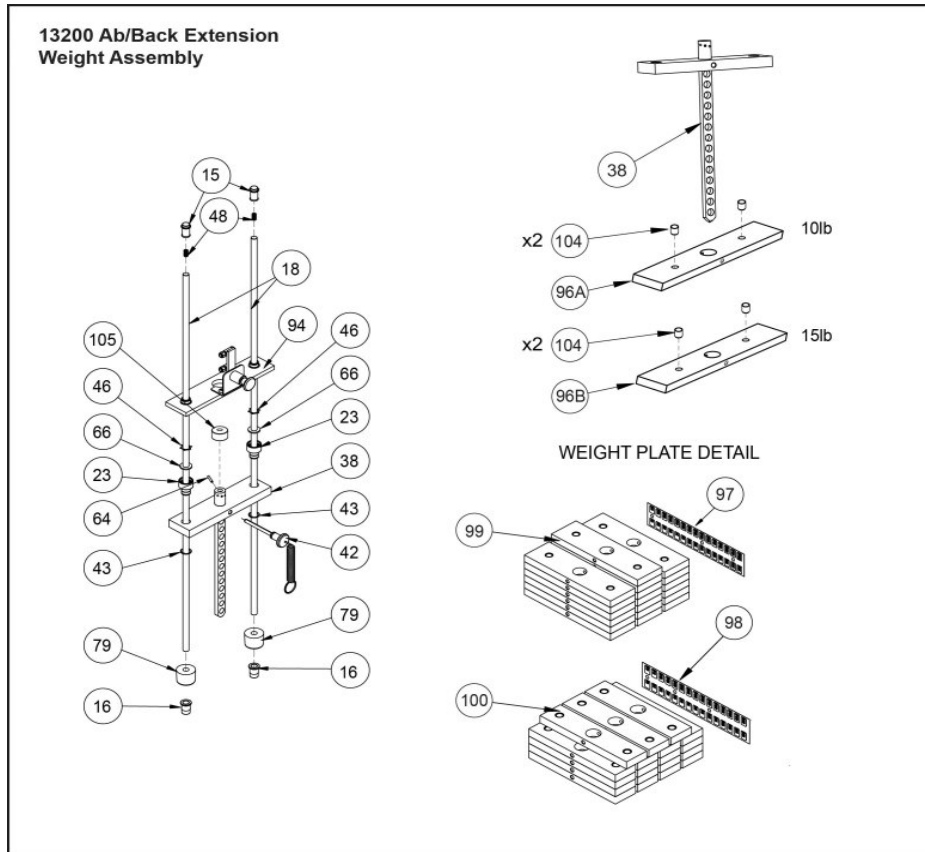
# 13200 Pivot Arm Assembly



Ref #	Part Number	Qty	Description
3	11000-384	2	BLOCK STOP
4	11040-440	1	KNOB
6	11090-374	2	END CAP
7	11090-376	2	RING HANDLE GRIP
14	12100-303	2	BUMPER
27	13200-200	1	W Main Frame Custom
28	13200-203	1	W Input Handle Custom
29	13200-204	1	W Detent Arm Custom
30	13200-205	1	W Input Arm Custom
31	13200-206	1	W Input Arm Custom
32	13200-340	1	Plate Detent
33	13200-341	2	Spacer
34	13200-342	1	Shaft Pivot
35	13200-370	1	Plate Guard
36	13200-372	1	Decal Adjusting
39	4713-318	1	PIN DETENT
40	4715-336	4	P WASHER
45	BR030213	2	RETAINING RING 2.00 EXTERNAL
47	BS070201	1	COM SPRING .56 ID X .66 OD X 1.50 LG
51	FB030232	2	BRG RADIAL 17MM ID EXT RACE
52	FB130206	6	BRG FLG 2.00 X 2.25 1.00 LG
53	FC030006	2	TOLERANCE RING 1.575 ID

Ref #	Part Number	Qty	Description
55	HC620417	2	BHSCS .250-20 X 1.00
56	HC620430	2	BHSCS .250-20 X 2.50
61	HN625200	2	LOCKNUT .250-20 NYLON HVY
63	HN784400	2	JAM NUT .500-13
65	HS347600	2	WASHER SAE .375
69	JC620415	4	BHSCS .250-20 X .75
70	JC700412	5	BHSCS .375-16 X .50
71	JC700420	1	BHSCS .375-16 X 1.25
74	JC781222	2	HX HD CAP SC .500-13 X 1.50
78	PP130003	4	INSERT PLASTIC
80	4605-520	2	GRAB GRIP 6.25
88	4510-321	1	DECAL CAUTION Custom
101	630A-346	1	Grip 2.50

# 13200 Weight Assembly



Ref #	Part Number	Qty	Description
15	12210-347	2	CAP GUIDE ROD
16	12210-348	2	CAP GUIDE ROD
18	13000-326	2	Wt Rod .625 Dia x 51.51
23	13000-364	2	BEARING FLNG .62 ID X .92 OD X 1.75 LG
38	4800-262	1	C Top Wt 13 - 3c12
42	BH030207	1	PIN WEIGHT SELECTOR
43	BR030206	2	RETAINING RING
46	BR030220	2	RETAINING RING 1.250 INTERNAL
48	BS070208	2	COMP SPRING .396 ID X .480 OD X 1.50 LG
64	HP286819	1	SPIRAL PIN .188 X 1.12
66	HS720004	2	WASHER FELT .641 ID X 1.250 OD X .125 T
79	PR060005	2	BUMPER WEIGHT
94	13000K004	1	Kit Half Weight 5 lb
94	13000-102	1	Half Weight Assembly 7.5 lb
96B	4700-338	1	C Stack Weight 15 lbs exact
96A	4700-337	1	C Stack Weight 10 lbs exact
97	4800-557	1	DECAL WEIGHT PLATE 10-150
98	13000-552	1	Decal Weight Plate (10-220)
99	13000-031	1	Wt Pac 10# Black (12)
100	13000-035	1	Wt Pac 15# Black (12)
104	FB130216	4	Bushing Weight Stack
105	13000-385	1	STOP

