

# VR1 LEG EXTENSION

13650-01

## Parts Manual

1/5/2019 2:51:45 AM

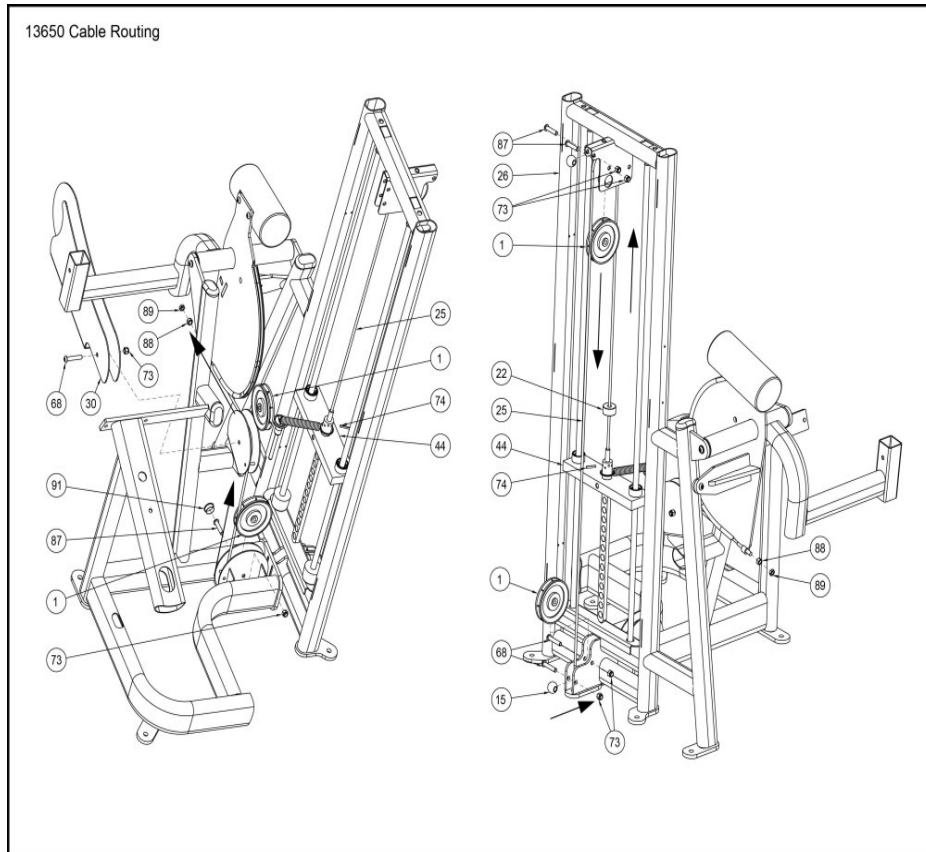


**Table of Contents**

---

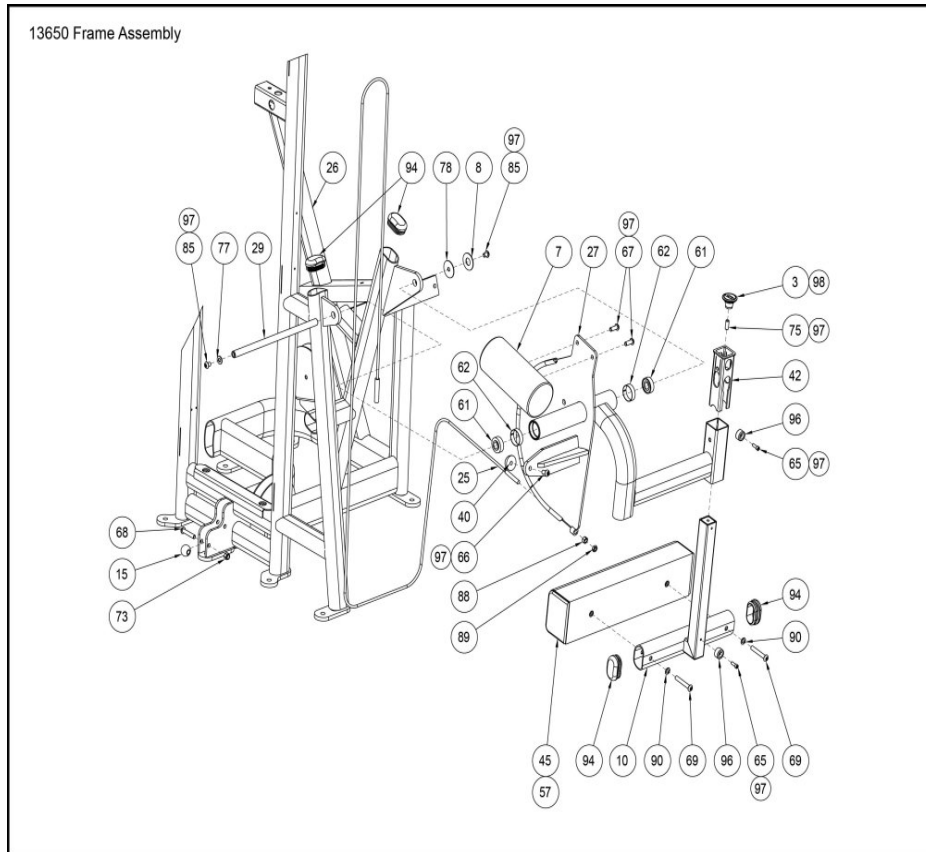
[13650 Cable Routing](#).....3  
[13650 Frame Assembly](#).....4  
[13650 Half Weight Assembly](#).....6  
[13650 Panel Assembly](#).....7  
[13650 Seat Assembly](#).....9  
[13650 Weight Assembly](#).....11

**13650\_Cable\_Routing**



Ref #	Part Number	Qty	Description
1	08014	4	PULLEY ASSEMBLY-4.50
15	13000-322	2	Roller
22	13000-385	1	STOP
25	13050-002	1	Cable Assembly
26	13050-200	1	W Frame Custom
30	13050-334	1	Guard Custom
44	4700C070	1	C TOP WT 15-3X12
68	HC700426	2	BHSCS .375-16 X 2.00
73	HN704901	5	LOCKNUT .375-16 NYLON
74	HP286819	1	SPIRAL PIN .188 X 1.12
87	JC700424	3	BHSCS .375-16 X 1.75
88	JN714200	1	HEX NUT .375-24
89	JN714400	2	JAM NUT .375-24
91	PN660200	1	INSERT PLASTIC 1.00 DIA-11 GA

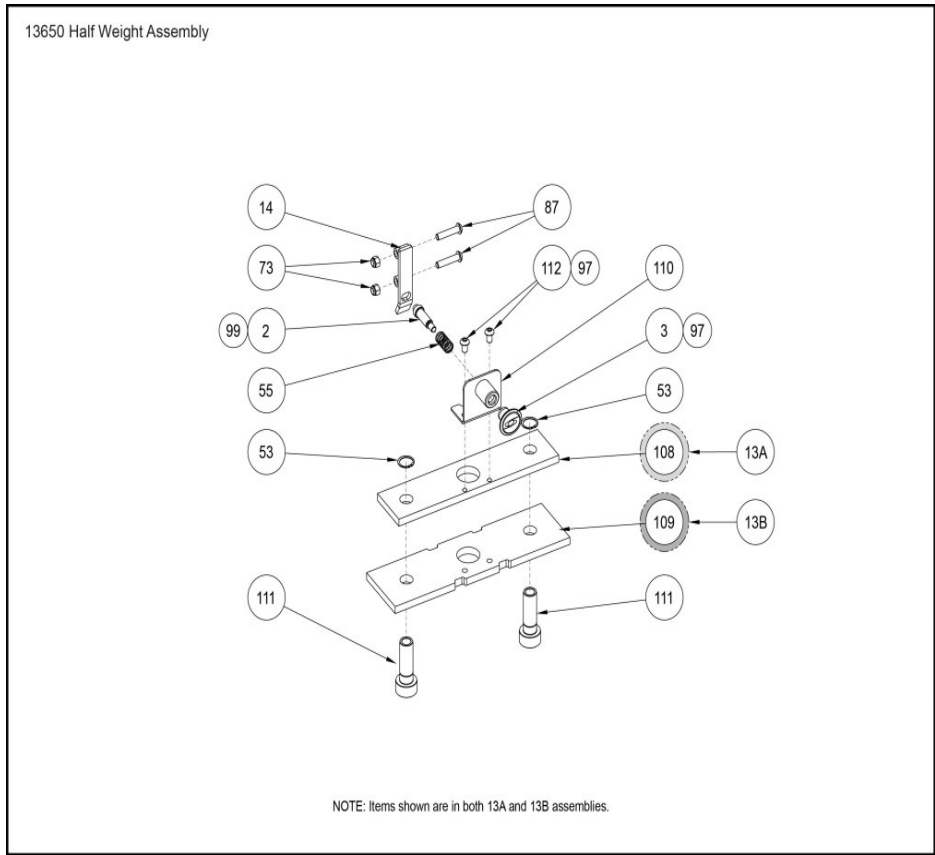
# 13650\_Frame\_Assembly



Ref #	Part Number	Qty	Description
3	11040-440	1	KNOB
7	11100-363	1	C/COUNTERWEIGHT
8	11100-400	1	DECAL ROTATION
10	12050-202	1	W CUSHION BAR Custom
15	13000-322	1	Roller
25	13050-002	1	Cable Assembly
26	13050-200	1	W Frame Custom
27	13050-201	1	W Cam Custom
29	13050-320	1	SHAFT, PIVOT, 10.62
40	4505-331	1	BUMPER 1.50 DIA
42	4605-511	1	INSERT PLASTIC 5.94
45	4800-006	1	COVERED CUSHION SA CONTOUR 20 Custom
57	4800-093	1	WEAR COVER SA 4.5 X 20 Custom
61	FB030232	2	BRG RADIAL 17MM ID EXT RACE
62	FC030006	2	TOLERANCE RING 1.575 ID
65	HC622815	2	SHCS .250-20 X .750
66	HC700415	1	BHSCS .375-16 X .75
67	HC700417	2	BHSCS .375-16 X 1.00
68	HC700426	1	BHSCS .375-16 X 2.00
69	HC700430	2	BHSCS .375-16 X 2.50
73	HN704901	1	LOCKNUT .375-16 NYLON
75	HP707017	1	STUD .375-16 X 1.00

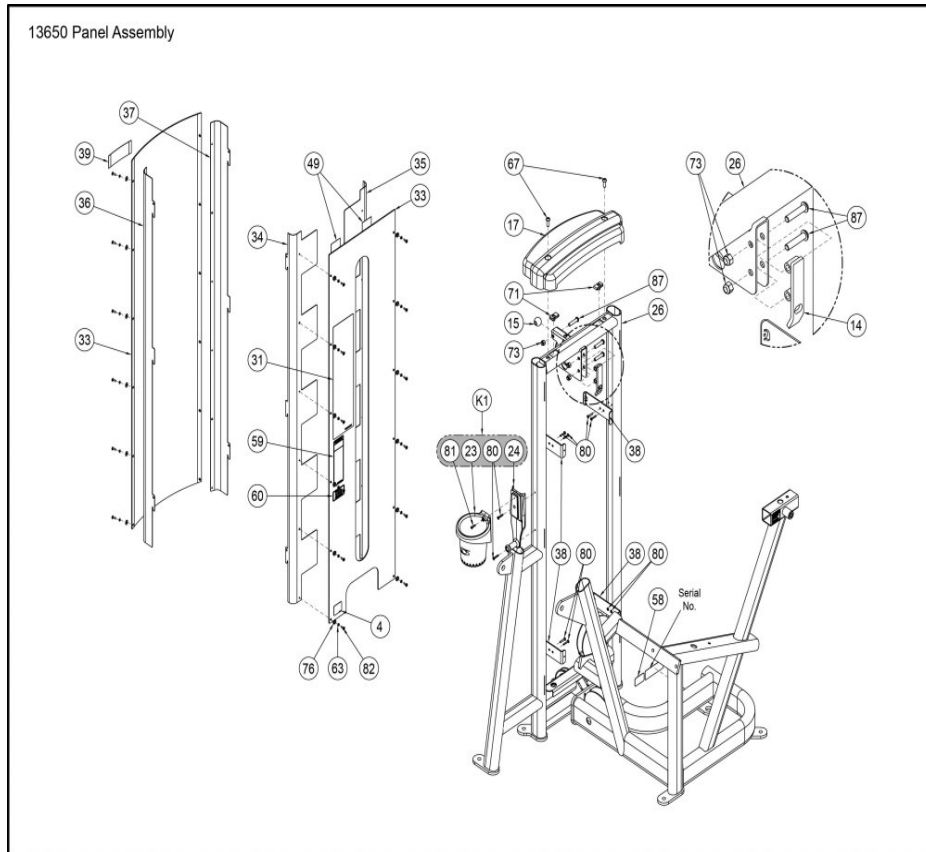
Ref #	Part Number	Qty	Description
77	HS347600	1	WASHER SAE .375
78	HS347702	1	WASHER FLAT .387 ID X 1.753 OD X .06 T
85	JC700412	2	BHSCS .375-16 X .50
88	JN714200	1	HEX NUT .375-24
89	JN714400	1	JAM NUT .375-24
90	JS347400	2	LOCKWASHER INT TOOTH .375
94	PP130003	2	INSERT PLASTIC
96	PR069400	2	BUMPER RECESS
97	YA000201	1	ADH THRD LKR REM .02 OZ 242
98	YA000226	1	LOCTITE 680 .5 ML

# 13650\_Half\_Weight\_Assembly



Ref #	Part Number	Qty	Description
2	08229	1	P PIN DETENT
3	11040-440	1	KNOB
13B	13000-102	1	Half Weight Assembly 7.5 lb
13A	13000-101	1	NLA: Half Weight Assembly 5 lb
14	13000-208	1	P Latch
53	BR030206	2	RETAINING RING
55	BS070201	1	COM SPRING .56 ID X .66 OD X 1.50 LG
73	HN704901	2	LOCKNUT .375-16 NYLON
87	JC700424	2	BHSCS .375-16 X 1.75
97	YA000201	1	ADH THRD LKR REM .02 OZ 242
99	YG000002	1	NLA: Please use Lithium Grease
108	13000-352	1	C Half Weight 5 lbs
109	13000-363	1	C Half Weight 7.5 lbs
110	13000-206	1	C Half Weight Latch
111	13000-380	2	BUSHING, HALF WEIGHT
112	HC700414	2	BHSCS .375-16 X .62

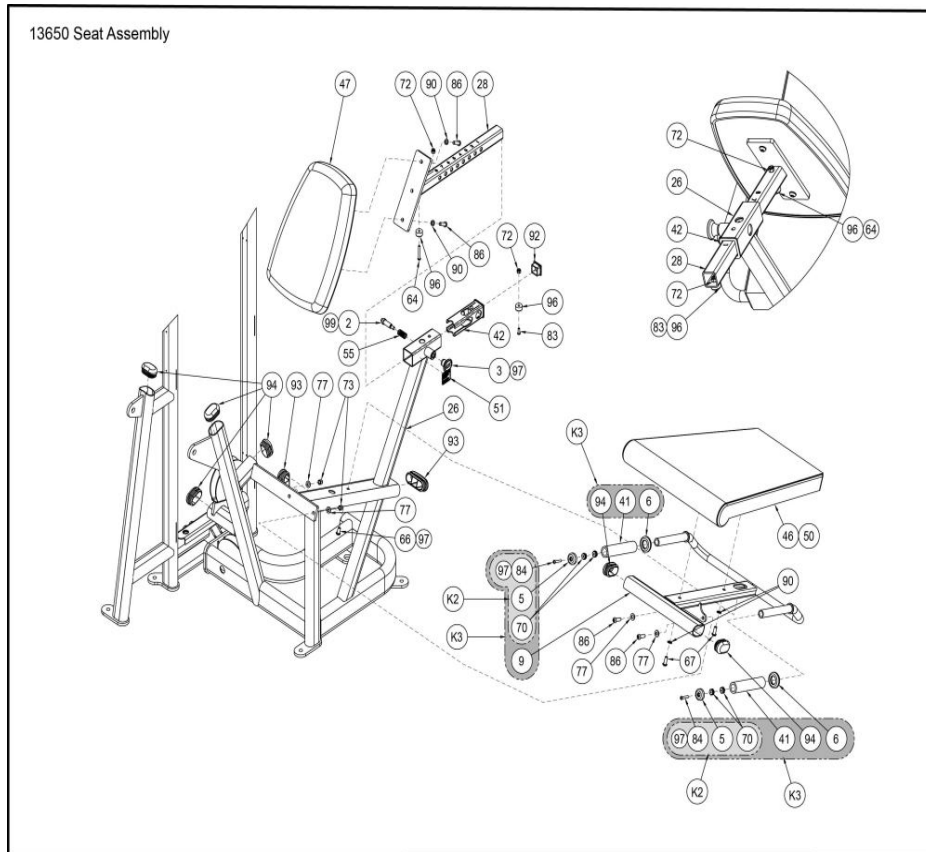
# 13650\_Panel\_Assembly



Ref #	Part Number	Qty	Description
K1	13000K003	1	Kit Water Bottle Holder
4	11040-790	1	NLA: DECAL, MADE IN THE USA
14	13000-208	1	P Latch
15	13000-322	2	Roller
17	13000-342	1	Molded Top Cap
23	13000-400	1	Holder Water Bottle
24	13000-403	1	Mount Water Bottle Holder
26	13050-200	1	W Frame Custom
31	13050-598	1	Placard VR1 Leg Ext Custom
33	13600-392	1	WEIGHT GUARD
34	13600-393	1	LEFT FRONT CORNER SUPPORT
35	13600-394	1	RIGHT FRONT CORNER SUPPORT
36	13600-395	1	LEFT REAR CORNER SUPPORT
37	13600-396	1	RIGHT REAR CORNER SUPPORT
38	13600-397	4	SUPPORT BRACKET
39	13650-390	1	DECAL, LEG EXTENSION
49	510-1108	1	TAPE BOX SEALING CLEAR
58	CM000258	1	DECAL, CAPACITY
59	DE000001	1	Decal Warning Custom
60	DE000005	1	Decal Caution Custom
63	FO100007	12	O RING .156 ID X .344 OD
67	HC700417	2	BHSCS .375-16 X 1.00

Ref #	Part Number	Qty	Description
71	HF700000	2	PANEL FASTNER .375-16 U TYPE
73	HN704901	2	LOCKNUT .375-16 NYLON
76	HS100000	12	WASHER NYLON FINISHING
80	HT512517	2	TAP SC 10-24 X 1.00 TYPE WB PN HD PHIL BLK
81	HT552515	1	TAP SC NO. 8-16 X .75 PLASTITE PN HD PHIL BLK
82	HT572512	12	TAP SC NO. 10 - 24 X .50 PN HD PHIL
87	JC700424	2	BHSCS .375-16 X 1.75

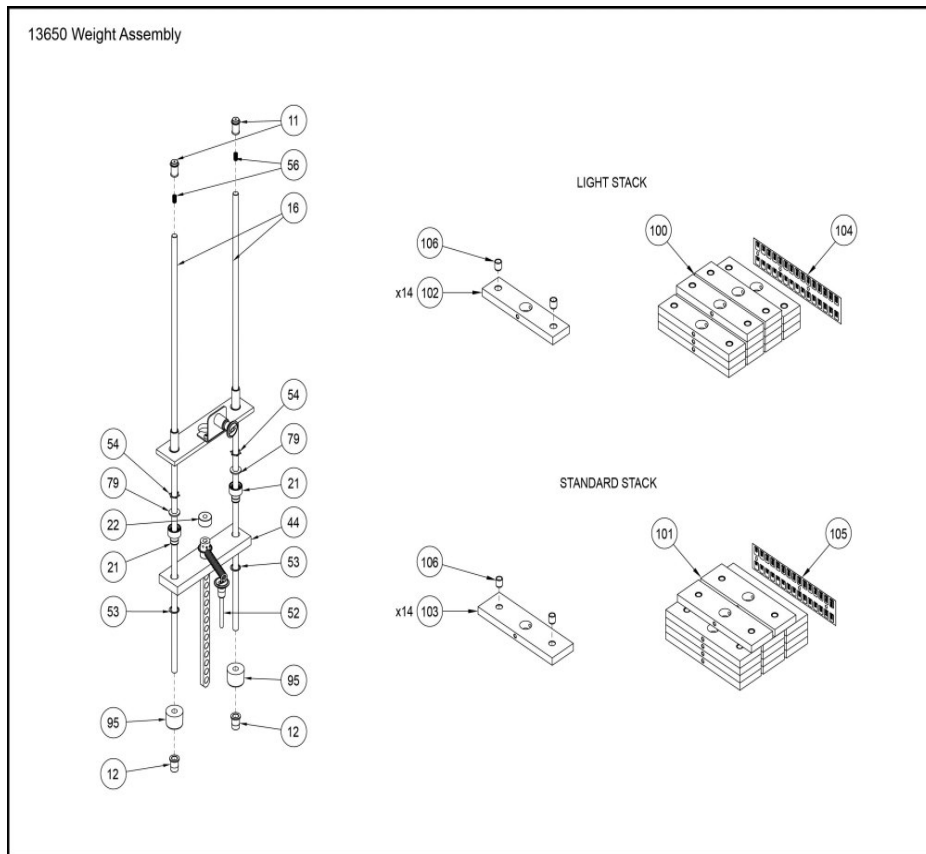
**13650\_Seat\_Assembly**



Ref #	Part Number	Qty	Description
2	08229	1	P PIN DETENT
K2	11090K006	1	KIT HANDLE TRIM RING
3	11040-440	12	KNOB
K3	13000K008	1	KIT, ADJUSTABLE PULLEY
5	11090-374	2	END CAP
6	11090-376	2	RING HANDLE GRIP
9	12050-201	1	NLA: W SEAT MOUNT
26	13050-200	1	W Frame Custom
28	13050-207	1	P Cushion Tube
41	4605-507	2	GRAB GRIP 6.50
42	4605-511	1	INSERT PLASTIC 5.94
46	4800-131	1	SEAT PAD Custom
47	4800-176	1	CUSHION SA BACK 18 MOLDED Custom
50	4800-134	1	WEAR COVER Custom
51	8500-025	1	DECAL CAUTION Custom
55	BS070201	1	COM SPRING .56 ID X .66 OD X 1.50 LG
64	HC620431	1	BHSCS .250-20 X 2.00
66	HC700415	1	BHSCS .375-16 X .75
67	HC700417	2	BHSCS .375-16 X 1.00
70	HF449063	4	INSERT 3-4X1-4-20 CONNECTOR
72	HN625200	2	LOCKNUT .250-20 NYLON HVY
73	HN704901	2	LOCKNUT .375-16 NYLON

Ref #	Part Number	Qty	Description
77	HS347600	2	WASHER SAE .375
83	JC620415	1	BHSCS .250-20 X .75
84	JC620422	2	BHSCS .250-20 X 1.50
86	JC700420	2	BHSCS .375-16 X 1.25
90	JS347400	4	LOCKWASHER INT TOOTH .375
92	PP090211	1	INSERT PL 1.50 SQ X 10-14 GA
93	PP130002	1	INSERT DOMED PLASTIC
94	PP130003	6	INSERT PLASTIC
96	PR069400	1	BUMPER RECESS
97	YA000201	1	ADH THRD LKR REM .02 OZ 242
99	YG000002	1	NLA: Please use Lithium Grease

# 13650\_Weight\_Assembly



Ref #	Part Number	Qty	Description
11	12210-347	2	CAP GUIDE ROD
12	12210-348	2	CAP GUIDE ROD
16	13000-326	2	Wt Rod .625 Dia x 51.51
21	13000-364	2	BEARING FLNG .62 ID X .92 OD X 1.75 LG
22	13000-385	1	STOP
44	4700C070	1	C TOP WT 15-3X12
52	BH030207	1	PIN WEIGHT SELECTOR
53	BR030206	2	RETAINING RING
54	BR030220	2	RETAINING RING 1.250 INTERNAL
56	BS070208	1	COMP SPRING .396 ID X .480 OD X 1.50 LG
79	HS720004	2	WASHER FELT .641 ID X 1.250 OD X .125 T
95	PR060005	2	BUMPER WEIGHT
100	13000-032	1	Wt Pac 10# Black (14)
101	13000-036	1	Wt Pac 15# Black (14)
102	4700-337	1	C Stack Weight 10 lbs exact
103	4700-338	1	C Stack Weight 15 lbs exact
104	4800-557	1	DECAL WEIGHT PLATE 10-150
105	13000-552	1	Decal Weight Plate (10-220)
106	FB130216	2	Bushing Weight Stack

