

VR1 SEATED LEG CURL

13660-01

Parts Manual

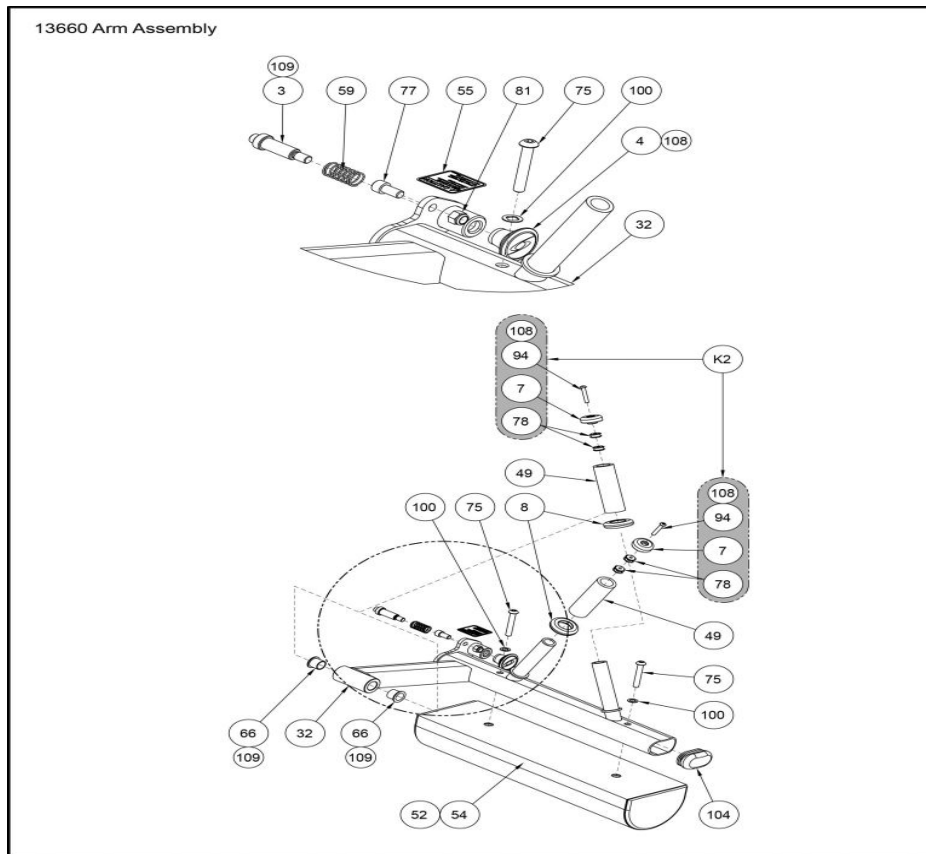
1/5/2019 2:51:45 AM



Table of Contents

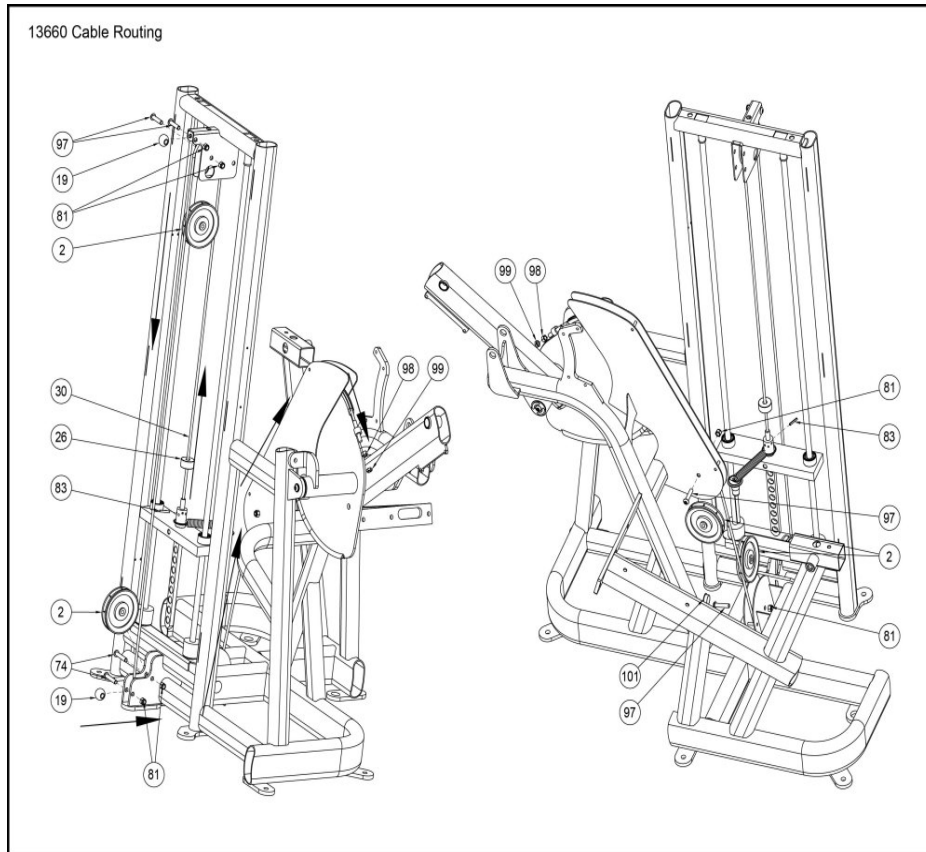
[13660 Arm Assembly.....](#)3
[13660 Cable Routing.....](#)4
[13660 Cam Assembly.....](#)5
[13660 Frame Assembly.....](#)7
[13660 Half Weight Assembly.....](#)9
[13660 Panel Assembly.....](#)10
[13660 Weight Assembly.....](#)12

13660_Arm_Assembly



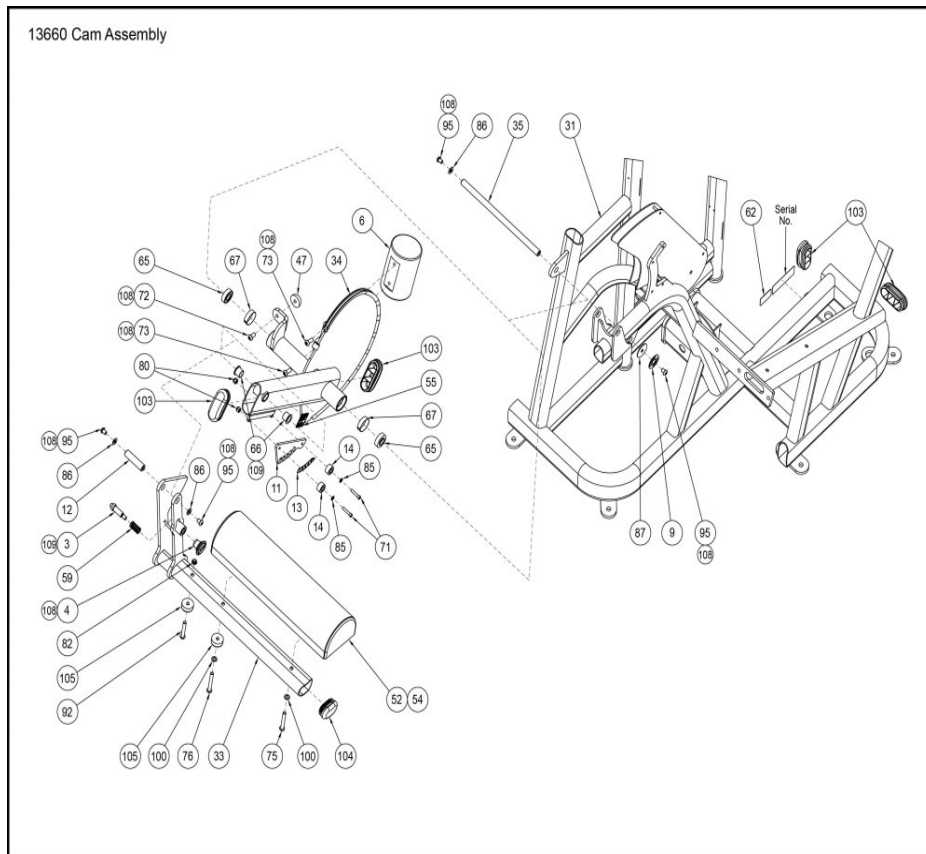
Ref #	Part Number	Qty	Description
K2	11090K006	1	KIT HANDLE TRIM RING
3	08229	1	P PIN DETENT
4	11040-440	1	KNOB
7	11090-374	2	END CAP
8	11090-376	2	RING HANDLE GRIP
32	13060-203	1	W Cushion Pivot Custom
49	4605-514	2	GRAB GRIP 4.50
52	4800-196	1	COVERED CUSHION AS CONTOUR 20 Custom
54	4800-199	1	WEAR COVER CS Custom
55	8500-025	1	DECAL CAUTION Custom
59	BS070201	1	COM SPRING .56 ID X .66 OD X 1.50 LG
66	FB130212	2	BUSHING FLANGE FOOTPLATE.75ID
75	HC700430	2	BHSCS .375-16 X 2.50
77	HC702815	1	SHCS .375-16 X .750
78	HF449063	4	INSERT 3-4X1-4-20 CONNECTOR
81	HN704901	1	LOCKNUT .375-16 NYLON
94	JC620422	2	BHSCS .250-20 X 1.50
100	JS347400	2	LOCKWASHER INT TOOTH .375
104	PP130003	1	INSERT PLASTIC
108	YA000201	1	ADH THRD LKR REM .02 OZ 242
109	YG000002	1	NLA: Please use Lithium Grease

13660_Cable_Routing



Ref #	Part Number	Qty	Description
2	08014	3	PULLEY ASSEMBLY-4.50
19	13000-322	2	Roller
26	13000-385	1	STOP
30	13060-002	1	Cable Assembly
74	HC700426	2	BHSCS .375-16 X 2.00
81	HN704901	4	LOCKNUT .375-16 NYLON
83	HP286819	1	SPIRAL PIN .188 X 1.12
97	JC700424	2	BHSCS .375-16 X 1.75
98	JN714200	1	HEX NUT .375-24
99	JN714400	1	JAM NUT .375-24
101	PN660200	1	INSERT PLASTIC 1.00 DIA-11 GA

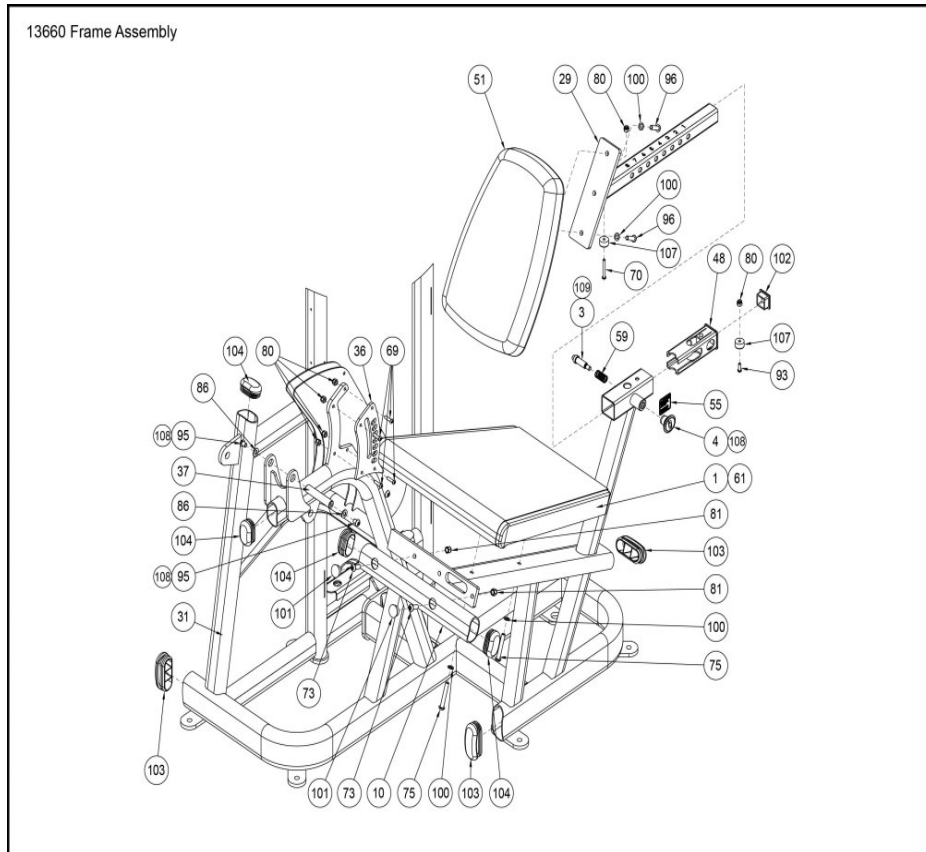
13660_Cam_Assembly



Ref #	Part Number	Qty	Description
3	08229	1	P PIN DETENT
4	11040-440	1	KNOB
6	11070-332	1	C COUNTERWEIGHT
9	11100-400	1	DECAL ROTATION
11	12060-336	1	P DETENT PLATE
12	12060-346	1	PIN PIVOT
13	12060-356	1	DECAL ADJUSTING
14	12100-303	2	BUMPER
31	13060-200	1	W Main Frame Custom
33	13060-205	1	W Cushion Arm Custom
34	13060-207	1	W Input Arm Custom
35	13060-318	1	Shaft Pivot
47	4505-331	1	BUMPER 1.50 DIA
52	4800-196	1	COVERED CUSHION AS CONTOUR 20 Custom
54	4800-199	1	WEAR COVER CS Custom
55	8500-025	1	DECAL CAUTION Custom
59	BS070201	1	COM SPRING .56 ID X .66 OD X 1.50 LG
62	CM000256	1	DECAL, CAPACITY
65	FB030232	2	BRG RADIAL 17MM ID EXT RACE
66	FB130212	2	BUSHING FLANGE FOOTPLATE.75ID
67	FC030006	2	TOLERANCE RING 1.575 ID
71	HC622820	2	SHCS .250-20 X 1.25

Ref #	Part Number	Qty	Description
72	HC700415	1	BHSCS .375-16 X .75
73	HC700417	2	BHSCS .375-16 X 1.00
75	HC700430	1	BHSCS .375-16 X 2.50
76	HC700432	1	BHSCS .375-16 X 2.75
80	HN625200	2	LOCKNUT .250-20 NYLON HVY
82	HN704902	1	LOCKNUT NYLON .375-16
85	HS307601	2	WASH FLAT .281 .500 .062 T
86	HS347600	2	WASHER SAE .375
87	HS347702	1	WASHER FLAT .387 ID X 1.753 OD X .06 T
92	HX700428	1	BHSCS .375-16 x 2.25 SS
95	JC700412	2	BHSCS .375-16 X .50
100	JS347400	2	LOCKWASHER INT TOOTH .375
103	PP130002	3	INSERT DOMED PLASTIC
104	PP130003	1	INSERT PLASTIC
105	PR060003	2	BUMPER RECESS
108	YA000201	1	ADH THRD LKR REM .02 OZ 242
109	YG000002	1	NLA: Please use Lithium Grease

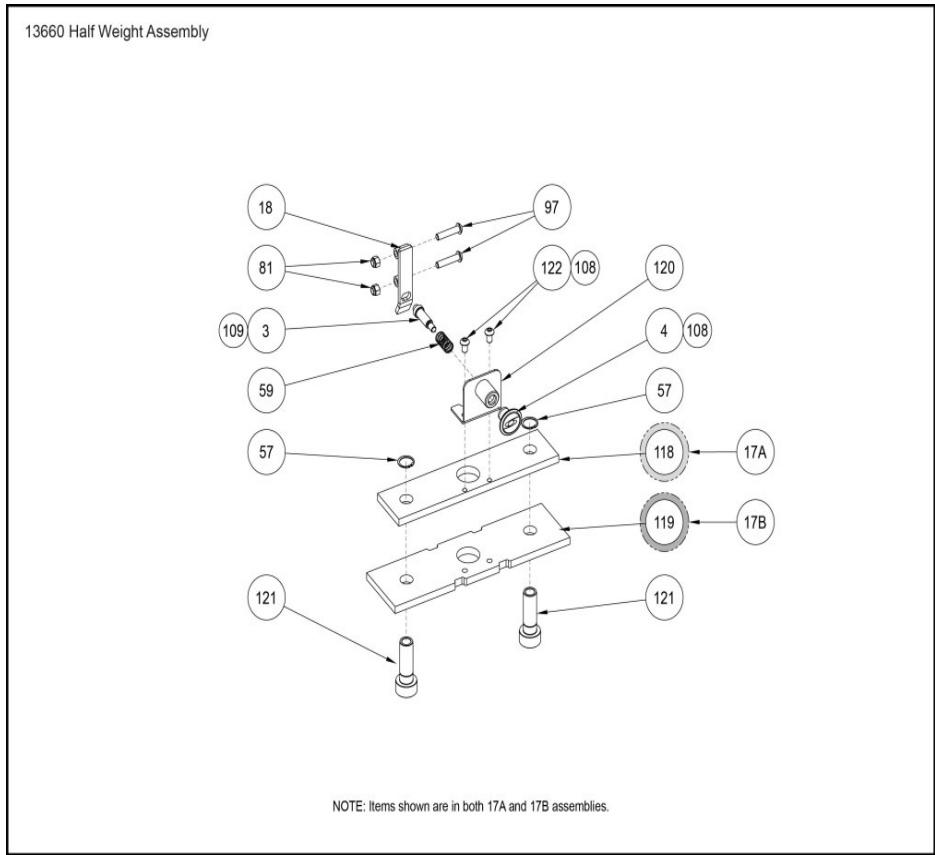
13660_Frame_Assembly



Ref #	Part Number	Qty	Description
1	01655	1	COVERED CUSHION SA TPR 20X20 Custom
3	08229	1	P PIN DETENT
4	11040-440	1	KNOB
10	12060-317	1	TUBE SUPPORT
29	13050-207	1	P Cushion Tube
31	13060-200	1	W Main Frame Custom
36	13060-321	1	Plate Pivot
37	13060-327	1	Pin Pivot
48	4605-511	1	INSERT PLASTIC 5.94
51	4800-176	1	CUSHION SA BACK 18 MOLDED Custom
55	8500-025	1	DECAL CAUTION Custom
59	BS070201	1	COM SPRING .56 ID X .66 OD X 1.50 LG
61	01656	1	COVER SA TPR 20 X 20 Custom
69	HC620417	4	BHSCS .250-20 X 1.00
70	HC620431	1	BHSCS .250-20 X 2.00
73	HC700417	2	BHSCS .375-16 X 1.00
75	HC700430	2	BHSCS .375-16 X 2.50
80	HN625200	4	LOCKNUT .250-20 NYLON HVY
81	HN704901	2	LOCKNUT .375-16 NYLON
86	HS347600	1	WASHER SAE .375
93	JC620415	1	BHSCS .250-20 X .75
95	JC700412	1	BHSCS .375-16 X .50

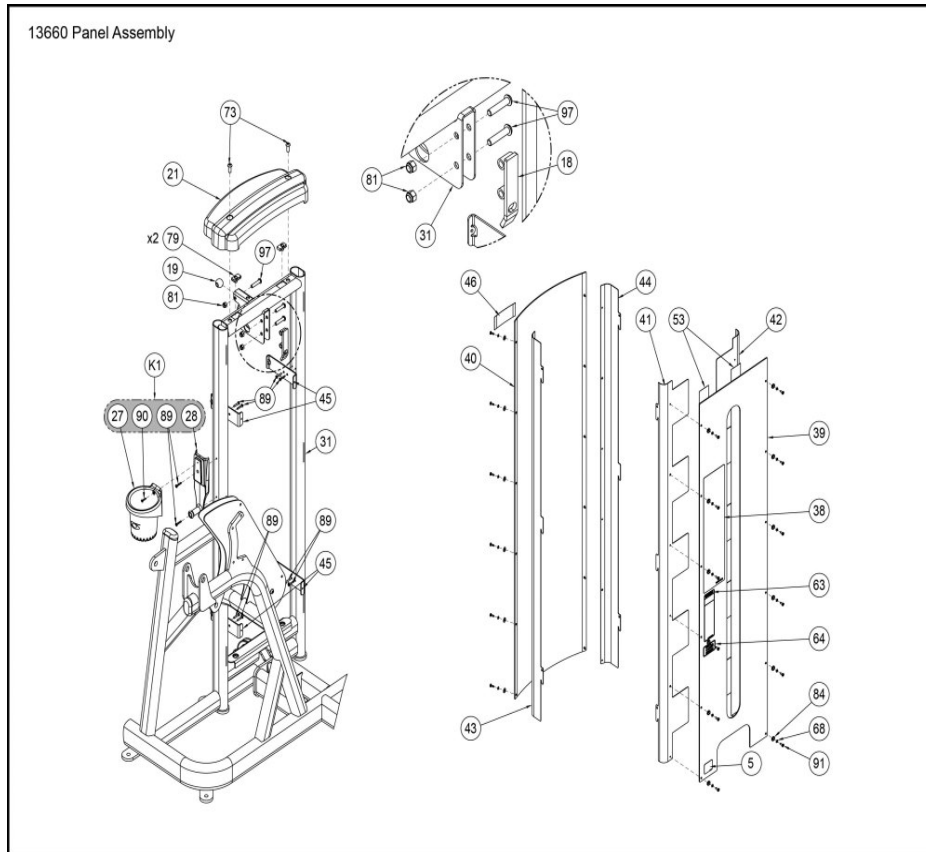
Ref #	Part Number	Qty	Description
96	JC700420	2	BHSCS .375-16 X 1.25
100	JS347400	2	LOCKWASHER INT TOOTH .375
101	PN660200	2	INSERT PLASTIC 1.00 DIA-11 GA
102	PP090211	1	INSERT PL 1.50 SQ X 10-14 GA
103	PP130002	2	INSERT DOMED PLASTIC
104	PP130003	2	INSERT PLASTIC
107	PR069400	2	BUMPER RECESS
108	YA000201	1	ADH THRD LKR REM .02 OZ 242
109	YG000002	1	NLA: Please use Lithium Grease

13660_Half_Weight_Assembly



Ref #	Part Number	Qty	Description
3	08229	1	P PIN DETENT
4	11040-440	1	KNOB
17A	13000-101	1	NLA: Half Weight Assembly 5 lb
17B	13000-102	1	Half Weight Assembly 7.5 lb
18	13000-208	1	P Latch
57	BR030206	2	RETAINING RING
59	BS070201	1	COM SPRING .56 ID X .66 OD X 1.50 LG
81	HN704901	2	LOCKNUT .375-16 NYLON
97	JC700424	2	BHSCS .375-16 X 1.75
108	YA000201	1	ADH THRD LKR REM .02 OZ 242
109	YG000002	1	NLA: Please use Lithium Grease
118	13000-352	1	C Half Weight 5 lbs
119	13000-363	1	C Half Weight 7.5 lbs
120	13000-206	1	C Half Weight Latch
121	13000-380	2	BUSHING, HALF WEIGHT
122	HC700414	2	BHSCS .375-16 X .62

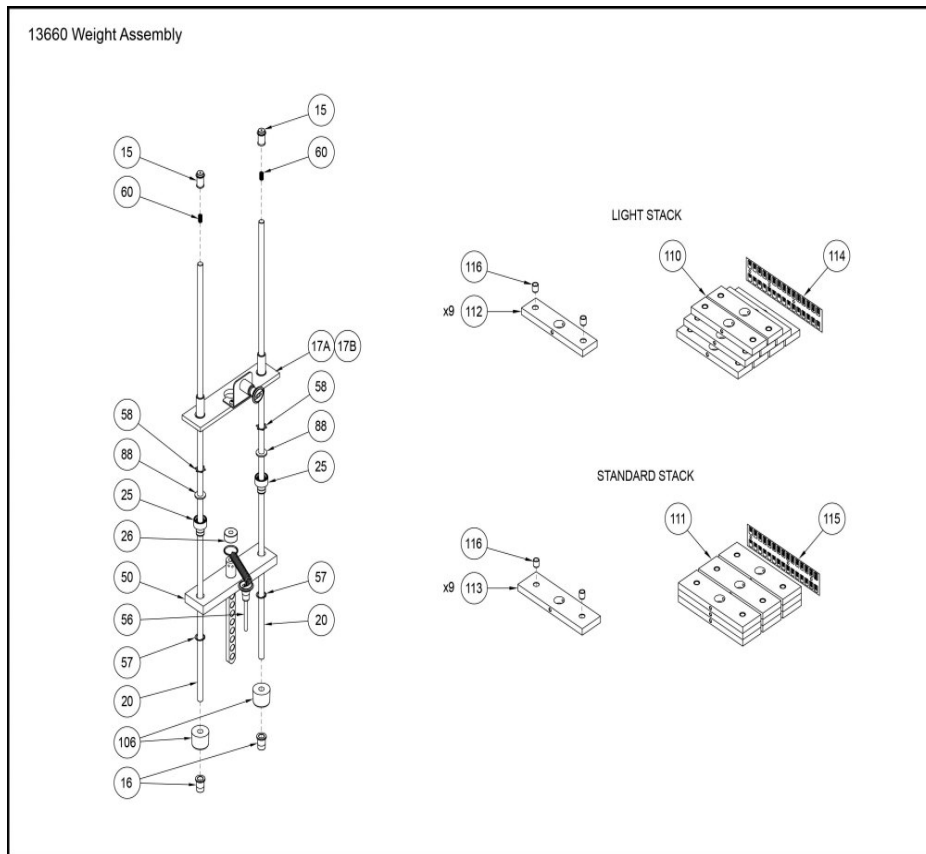
13660_Panel_Assembly



Ref #	Part Number	Qty	Description
K1	13000K003	1	Kit Water Bottle Holder
5	11040-790	1	NLA: DECAL, MADE IN THE USA
18	13000-208	1	P Latch
19	13000-322	2	Roller
21	13000-342	1	Molded Top Cap
27	13000-400	1	Holder Water Bottle
28	13000-403	1	Mount Water Bottle Holder
31	13060-200	1	W Main Frame Custom
38	13060-598	1	Placard VR1 Seated Leg Custom
39	13600-391	1	SLOTTED WEIGHT GUARD
40	13600-392	1	WEIGHT GUARD
41	13600-393	1	LEFT FRONT CORNER SUPPORT
42	13600-394	1	RIGHT FRONT CORNER SUPPORT
43	13600-395	1	LEFT REAR CORNER SUPPORT
44	13600-396	1	RIGHT REAR CORNER SUPPORT
45	13600-397	4	SUPPORT BRACKET
46	13660-390	1	DECAL, SEATED LEG CURL
53	510-1108	1	TAPE BOX SEALING CLEAR
63	DE000001	1	Decal Warning Custom
64	DE000005	1	Decal Caution Custom
68	FO100007	12	O RING .156 ID X .344 OD
73	HC700417	2	BHSCS .375-16 X 1.00

Ref #	Part Number	Qty	Description
79	HF700000	2	PANEL FASTNER .375-16 U TYPE
81	HN704901	2	LOCKNUT .375-16 NYLON
84	HS100000	12	WASHER NYLON FINISHING
89	HT512517	8	TAP SC 10-24 X 1.00 TYPE WB PN HD PHIL BLK
90	HT552515	1	TAP SC NO. 8-16 X .75 PLASTITE PN HD PHIL BLK
91	HT572512	12	TAP SC NO. 10 - 24 X .50 PN HD PHIL
97	JC700424	2	BHSCS .375-16 X 1.75

13660_Weight_Assembly



Ref #	Part Number	Qty	Description
15	12210-347	2	CAP GUIDE ROD
16	12210-348	2	CAP GUIDE ROD
17A	13000-101	1	NLA: Half Weight Assembly 5 lb
17B	13000-102	1	Half Weight Assembly 7.5 lb
20	13000-326	2	Wt Rod .625 Dia x 51.51
25	13000-364	2	BEARING FLNG .62 ID X .92 OD X 1.75 LG
26	13000-385	1	STOP
50	4700C073	1	C TOP WT 10-3X12
56	BH030207	1	PIN WEIGHT SELECTOR
57	BR030206	2	RETAINING RING
58	BR030220	2	RETAINING RING 1.250 INTERNAL
60	BS070208	2	COMP SPRING .396 ID X .480 OD X 1.50 LG
88	HS720004	2	WASHER FELT .641 ID X 1.250 OD X .125 T
106	PR060005	2	BUMPER WEIGHT
110	13000-030	1	Wt Pac 10# Black (9)
111	13000-034	1	Wt Pac 15# Black (9)
112	4700-337	1	C Stack Weight 10 lbs exact
113	4700-338	1	C Stack Weight 15 lbs exact
114	4800-557	1	DECAL WEIGHT PLATE 10-150
115	13000-552	1	Decal Weight Plate (10-220)
116	FB130216	2	Bushing Weight Stack

