

VR1 ARM EXTENSION

13685-01

Parts Manual

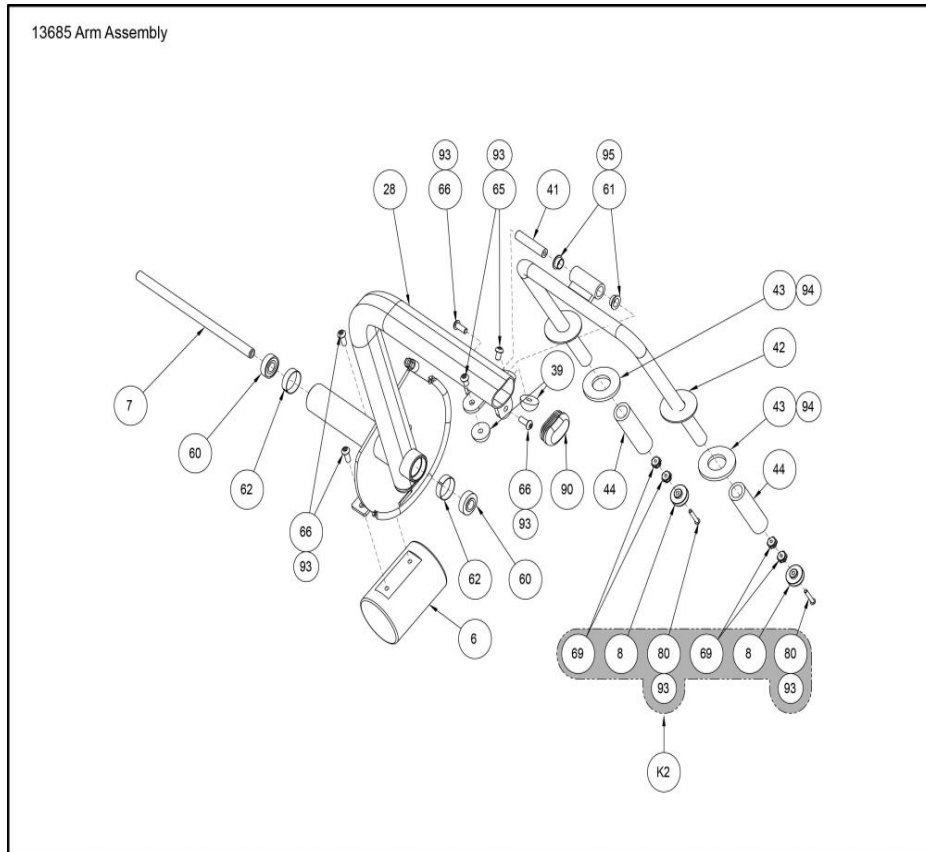
1/5/2019 2:51:46 AM



Table of Contents

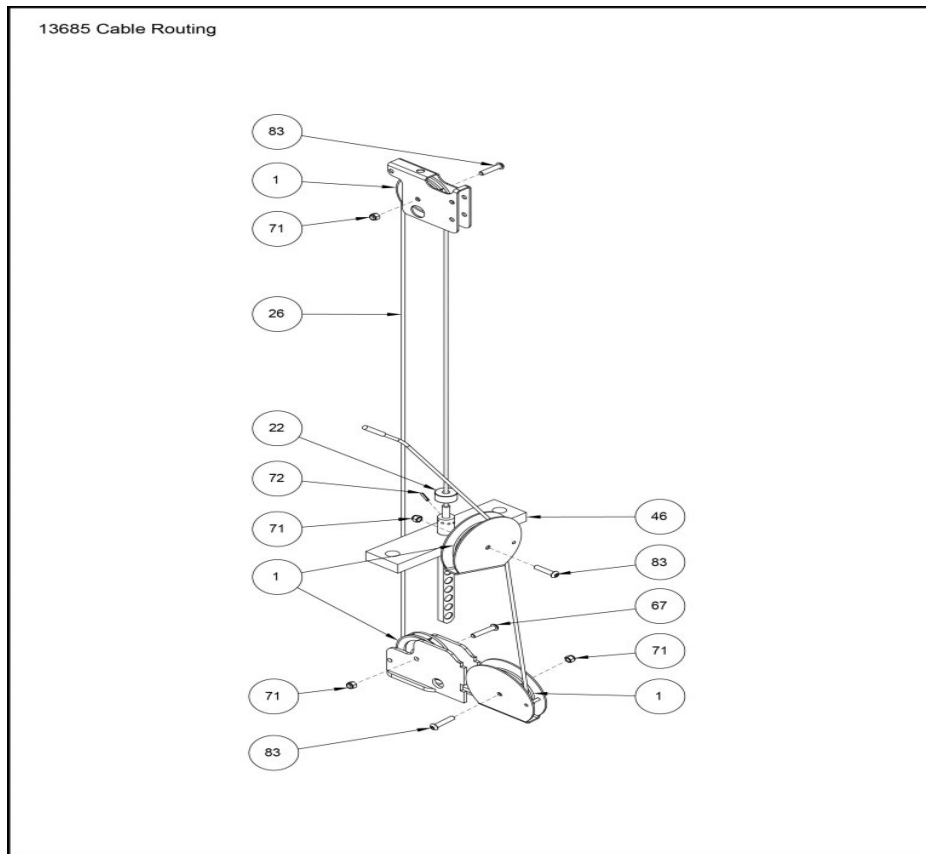
[13685 Arm Assembly.....](#)3
[13685 Cable Routing.....](#)4
[13685 Frame Assembly.....](#)5
[13685 Half Weight Assembly.....](#)7
[13685 Panel Assembly.....](#)8
[13685 Weight Assembly.....](#)10

13685_Arm_Assembly



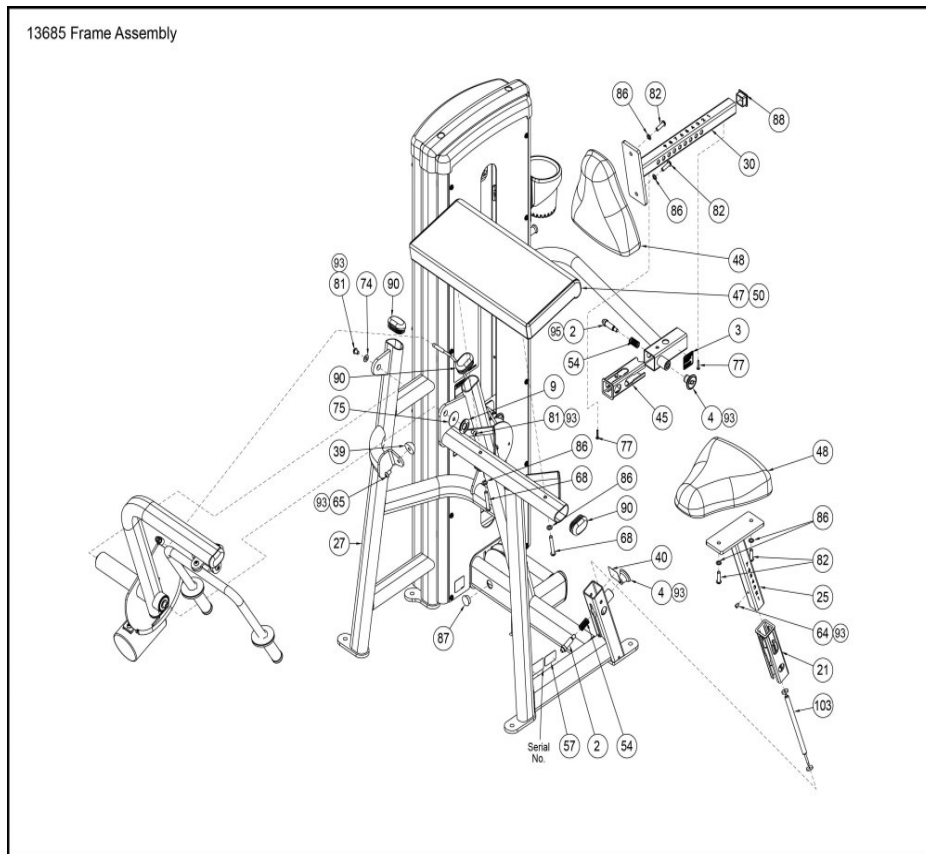
Ref #	Part Number	Qty	Description
K2	11090K006	1	KIT HANDLE TRIM RING
6	11070-332	1	C COUNTERWEIGHT
7	11090-369	1	SHAFT PIVOT
8	11090-374	2	END CAP
28	13085-201	1	W/ CAM INPUT ARM Custom
39	4505-331	2	BUMPER 1.50 DIA
41	4535-328	1	PIN PIVOT-SHORT
42	4540-204	1	W HANDLE Custom
43	4540-321	2	BUMPER HANDLE
44	4605-510	2	GRAB GRIP 4.75
60	FB030232	2	BRG RADIAL 17MM ID EXT RACE
61	FB130205	2	BRG FLG .62 X .75 .38 LG
62	FC030006	2	TOLERANCE RING 1.575 ID
65	HC700414	2	BHSCS .375-16 X .62
66	HC700417	3	BHSCS .375-16 X 1.00
69	HF449063	4	INSERT 3-4X1-4-20 CONNECTOR
80	JC620422	2	BHSCS .250-20 X 1.50
90	PP130003	1	INSERT PLASTIC
93	YA000201	1	ADH THRD LKR REM .02 OZ 242
94	YA000209	1	NLA: ADH BNDG CYANDACRYLATE GEL 45440
95	YG000002	1	NLA: Please use Lithium Grease

13685_Cable_Routing



Ref #	Part Number	Qty	Description
1	08014	4	PULLEY ASSEMBLY-4.50
22	13000-385	1	STOP
26	13085-002	1	Cable S/A
46	4700C073	1	C TOP WT 10-3X12
67	HC700426	1	BHSCS .375-16 X 2.00
71	HN704901	4	LOCKNUT .375-16 NYLON
72	HP286819	1	SPIRAL PIN .188 X 1.12
83	JC700424	3	BHSCS .375-16 X 1.75

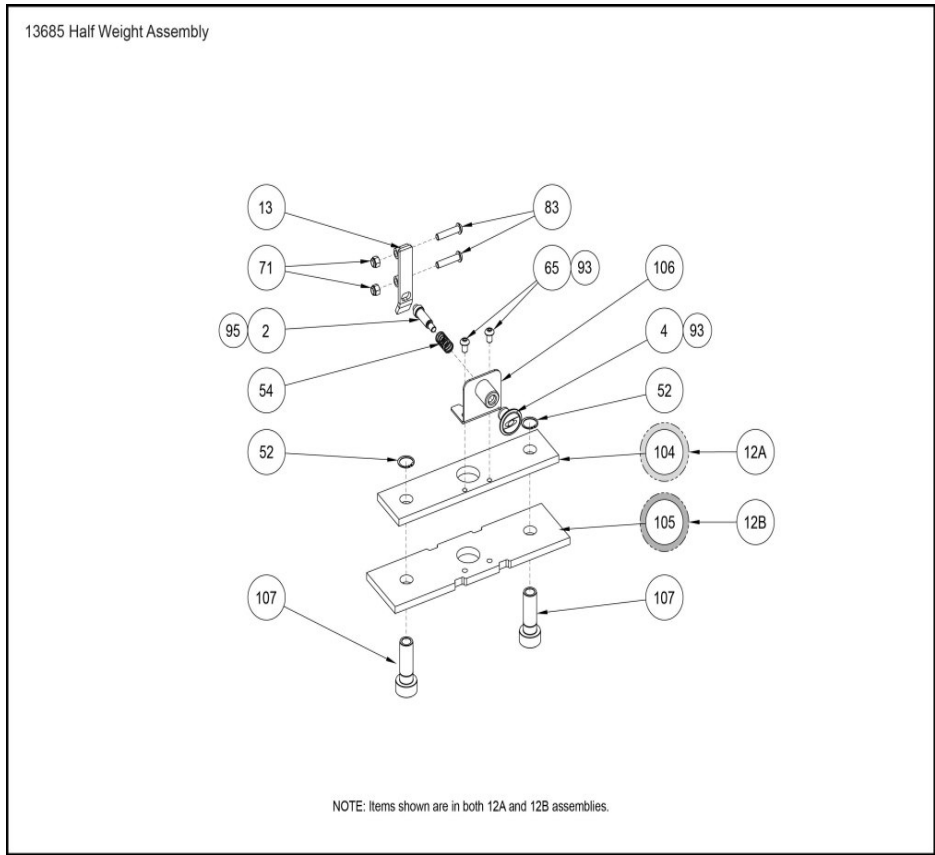
13685_Frame_Assembly



Ref #	Part Number	Qty	Description
2	08229	2	P PIN DETENT
3	8500-025	1	DECAL CAUTION Custom
4	11040-440	1	KNOB
9	11100-400	1	DECAL ROTATION
21	13000-365	1	Insert Plastic 7.94 Modified
25	13075-202	1	P CUSHION TUBE
27	13085-200	1	W/ VR1 MAIN FRAME Custom
30	13085-203	1	P CUSHION TUBE
39	4505-331	1	BUMPER 1.50 DIA
40	4520-362	1	DECAL SEAT CAUTION Custom
45	4605-511	1	INSERT PLASTIC 5.94
47	4800-008	1	COVERED CUSHION SA 9 X 22 Custom
48	4800-168	2	CUSHION SA BIKE SEAT 12IN MOLDED Custom
50	4800-091	1	WEAR COVER SA 9 X 12 Custom
54	BS070201	2	COM SPRING .56 ID X .66 OD X 1.50 LG
57	CM000256	1	DECAL, CAPACITY
64	HC622808	1	SHCS .250 x 20 x .250
65	HC700414	1	BHSCS .375-16 X .62
68	HC700430	2	BHSCS .375-16 X 2.50
74	HS347600	1	WASHER SAE .375
75	HS347702	1	WASHER FLAT .387 ID X 1.753 OD X .06 T
77	HT512517	2	TAP SC 10-24 X 1.00 TYPE WB PN HD PHIL BLK

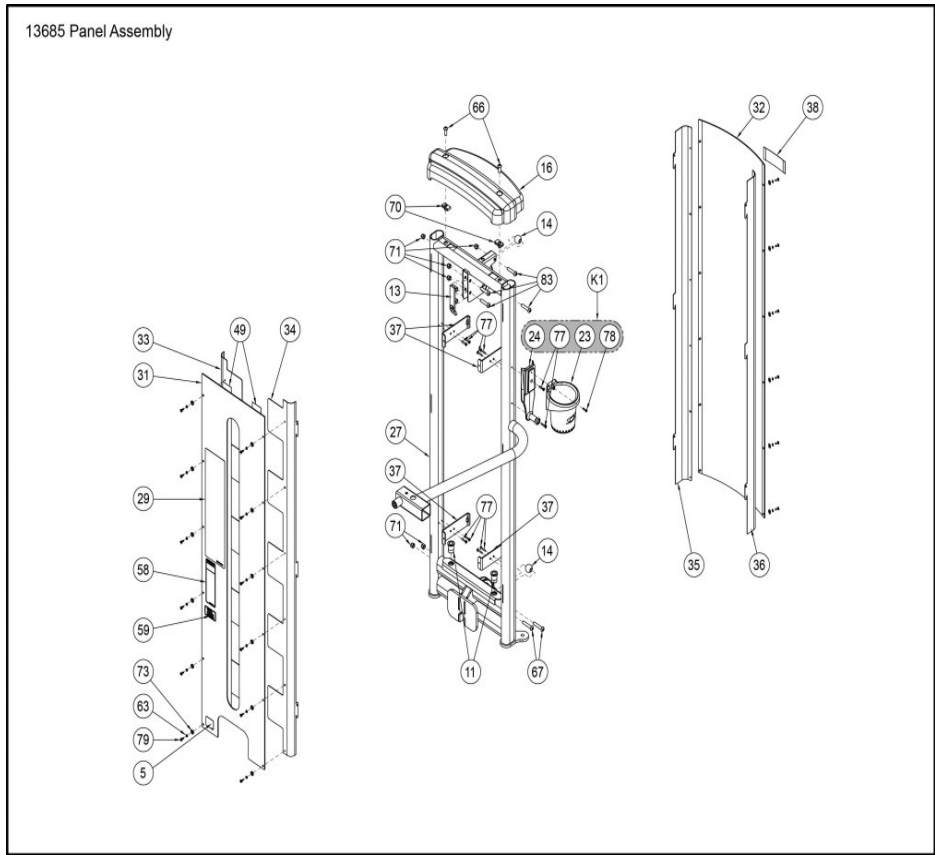
Ref #	Part Number	Qty	Description
81	JC700412	2	BHSCS .375-16 X .50
82	JC700420	4	BHSCS .375-16 X 1.25
86	JS347400	4	LOCKWASHER INT TOOTH .375
87	PN660200	1	INSERT PLASTIC 1.00 DIA-11 GA
88	PP090211	1	INSERT PL 1.50 SQ X 10-14 GA
90	PP130003	2	INSERT PLASTIC
93	YA000201	1	ADH THRD LKR REM .02 OZ 242
95	YG000002	1	NLA: Please use Lithium Grease
103	13000-103	1	

13685_Half_Weight_Assembly



Ref #	Part Number	Qty	Description
2	08229	1	P PIN DETENT
4	11040-440	1	KNOB
12B	13000-102	1	Half Weight Assembly 7.5 lb
12A	13000-101	1	NLA: Half Weight Assembly 5 lb
13	13000-208	1	P Latch
52	BR030206	2	RETAINING RING
54	BS070201	1	COM SPRING .56 ID X .66 OD X 1.50 LG
65	HC700414	2	BHSCS .375-16 X .62
71	HN704901	2	LOCKNUT .375-16 NYLON
83	JC700424	2	BHSCS .375-16 X 1.75
93	YA000201	1	ADH THRD LKR REM .02 OZ 242
95	YG000002	1	NLA: Please use Lithium Grease
104	13000-352	1	C Half Weight 5 lbs
105	13000-363	1	C Half Weight 7.5 lbs
106	13000-206	1	C Half Weight Latch
107	13000-380	2	BUSHING, HALF WEIGHT

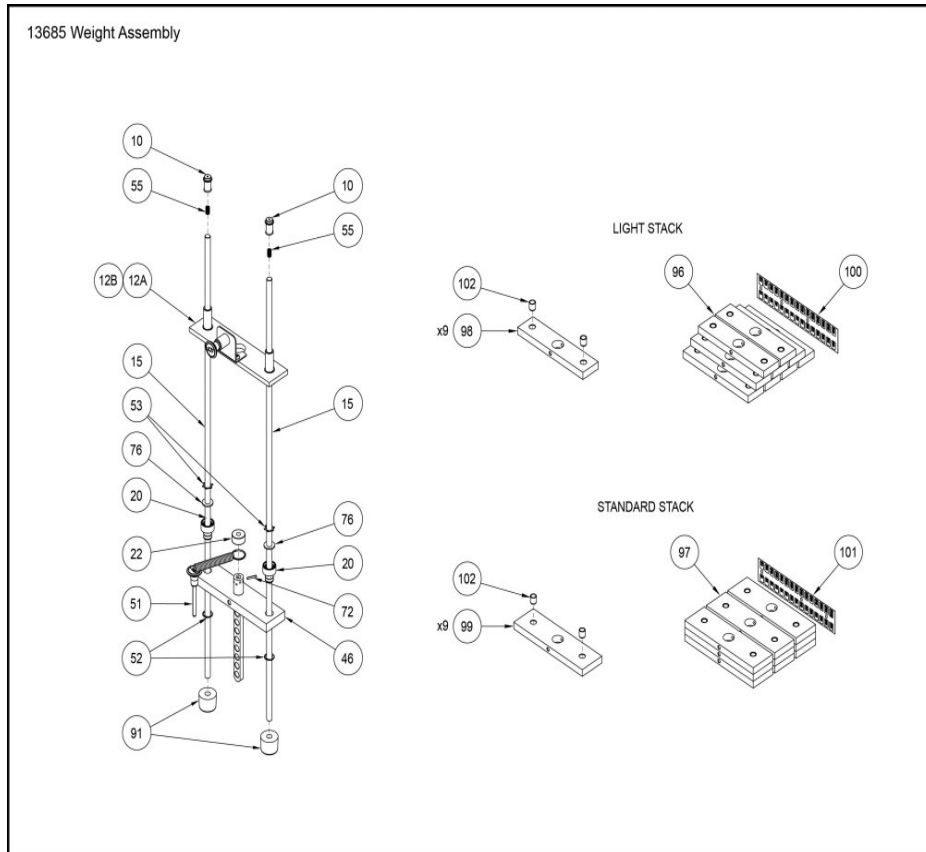
13685_Panel_Assembly



Ref #	Part Number	Qty	Description
K1	13000K003	1	Kit Water Bottle Holder
5	11040-790	1	NLA: DECAL, MADE IN THE USA
11	12210-348	2	CAP GUIDE ROD
13	13000-208	1	P Latch
14	13000-322	2	Roller
16	13000-342	1	Molded Top Cap
23	13000-400	1	Holder Water Bottle
24	13000-403	1	Mount Water Bottle Holder
27	13085-200	1	W/ VR1 MAIN FRAME Custom
29	13085-598	1	Placard VR1 Arm Ext Custom
31	13600-391	1	SLOTTED WEIGHT GUARD
32	13600-392	1	WEIGHT GUARD
33	13600-393	1	LEFT FRONT CORNER SUPPORT
34	13600-394	1	RIGHT FRONT CORNER SUPPORT
35	13600-395	1	LEFT REAR CORNER SUPPORT
36	13600-396	1	RIGHT REAR CORNER SUPPORT
37	13600-397	1	SUPPORT BRACKET
38	13685-390	1	DECAL, ARM EXTENSION
49	510-1108	1	TAPE BOX SEALING CLEAR
58	DE000001	1	Decal Warning Custom
59	DE000005	1	Decal Caution Custom
63	FO100007	12	O RING .156 ID X .344 OD

Ref #	Part Number	Qty	Description
66	HC700417	2	BHSCS .375-16 X 1.00
67	HC700426	2	BHSCS .375-16 X 2.00
70	HF700000	2	PANEL FASTNER .375-16 U TYPE
71	HN704901	6	LOCKNUT .375-16 NYLON
73	HS100000	12	WASHER NYLON FINISHING
77	HT512517	4	TAP SC 10-24 X 1.00 TYPE WB PN HD PHIL BLK
78	HT552515	1	TAP SC NO. 8-16 X .75 PLASTITE PN HD PHIL BLK
79	HT572512	12	TAP SC NO. 10 - 24 X .50 PN HD PHIL
83	JC700424	4	BHSCS .375-16 X 1.75

13685_Weight_Assembly



Ref #	Part Number	Qty	Description
10	12210-347	2	CAP GUIDE ROD
12A	13000-101	1	NLA: Half Weight Assembly 5 lb
12B	13000-102	1	Half Weight Assembly 7.5 lb
15	13000-326	2	Wt Rod .625 Dia x 51.51
20	13000-364	2	BEARING FLNG .62 ID X .92 OD X 1.75 LG
22	13000-385	1	STOP
46	4700C073	1	C TOP WT 10-3X12
51	BH030207	1	PIN WEIGHT SELECTOR
52	BR030206	2	RETAINING RING
53	BR030220	2	RETAINING RING 1.250 INTERNAL
55	BS070208	2	COMP SPRING .396 ID X .480 OD X 1.50 LG
72	HP286819	1	SPIRAL PIN .188 X 1.12
76	HS720004	2	WASHER FELT .641 ID X 1.250 OD X .125 T
91	PR060005	2	BUMPER WEIGHT
96	13000-030	1	Wt Pac 10# Black (9)
97	13000-034	1	Wt Pac 15# Black (9)
98	4700-337	1	C Stack Weight 10 lbs exact
99	4700-338	1	C Stack Weight 15 lbs exact
100	4800-557	1	DECAL WEIGHT PLATE 10-150
101	13000-552	1	Decal Weight Plate (10-220)
102	FB130216	2	Bushing Weight Stack

