

Elevation Series Engage

15DN-ALLXA-01

Parts Manual

1/5/2019 2:54:38 AM

Table of Contents

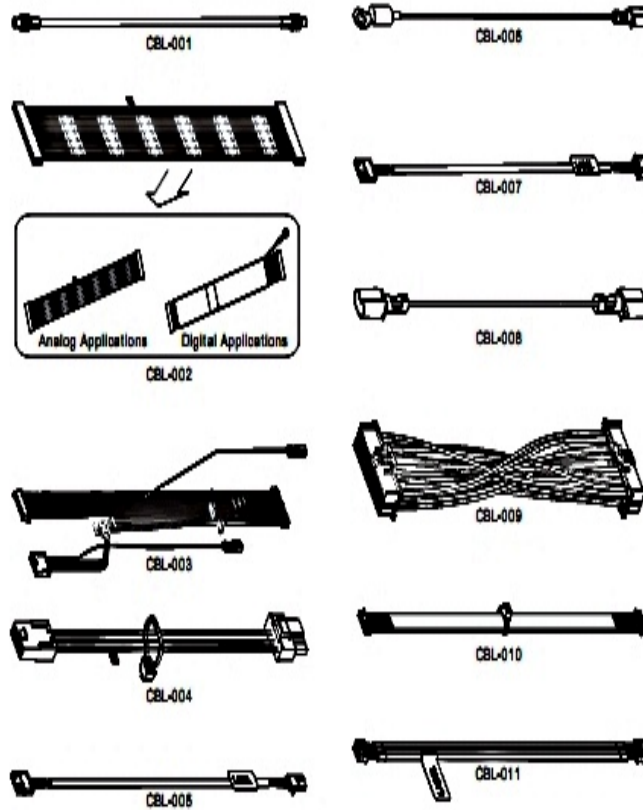
[Bezels](#).....3
[Cables](#).....4
[Console](#).....5
[Display Components](#).....7
[Miscellaneous Components - Ferrites](#).....8
[Miscellaneous Components - Misc Hardware](#).....9
[Miscellaneous Components - Options Panel](#).....10
[Pcbs](#).....11
[Pcbs - Associated Hardware](#).....12

Bezels



Ref #	Part Number	Qty	Description
BZ-004	AK70-00022-0000	1	Assembly: Front Bezel "E" Non-Tread Universal
BZ-005	AK70-00023-0000	1	ASM: Back Bezel; Non-Tread Universal Purchased

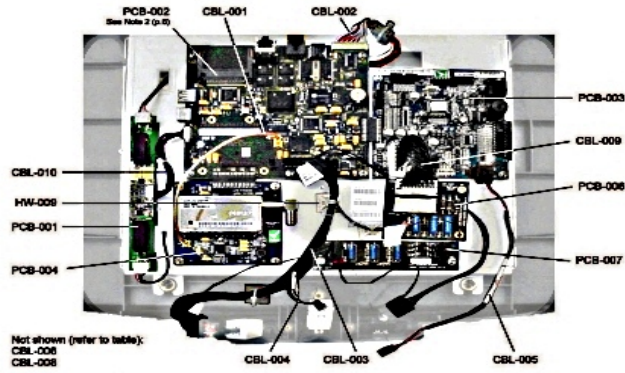
Cables



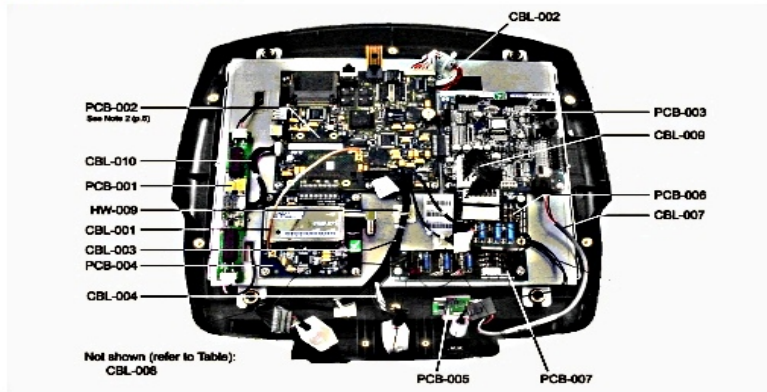
Ref #	Part Number	Qty	Description
CBL-002	AK65-00061-0001	1	Cable: SBCE to 15"LCD - Shielded
CBL-003	AK65-00041-0001	1	Cable: Options Panel
CBL-004	AK65-00102-0001	1	Cable: External Headphone
CBL-007	AK69-00119-0000	1	Cable: Coded Polar Printed Circuit Board To MIB
CBL-008	AK69-00142-0000	1	Cable: LifePulse Ground ESD
CBL-010	AK65-00057-0001	1	Cable: Single Board Controller to Inverter 3.5"
CBL-011	AK88-00001-0000	1	Cable: DTV Video

Console

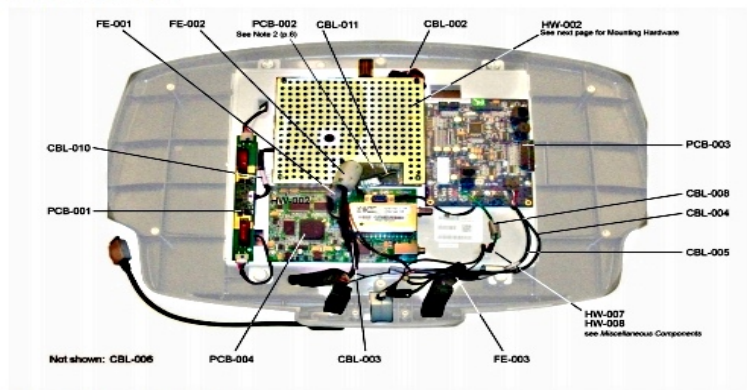
Treadmill Consoles - Analog



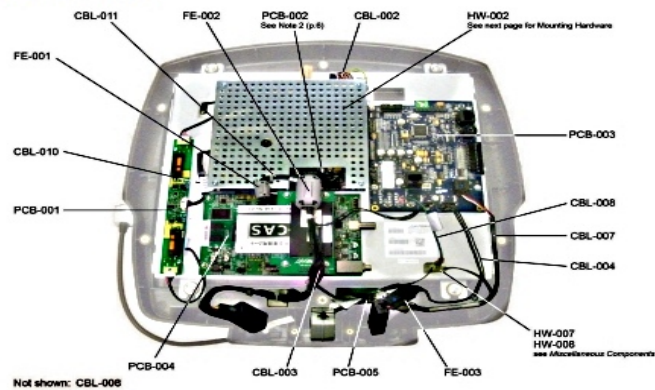
Non-Treadmill Consoles - Analog



Treadmill Consoles - Digital

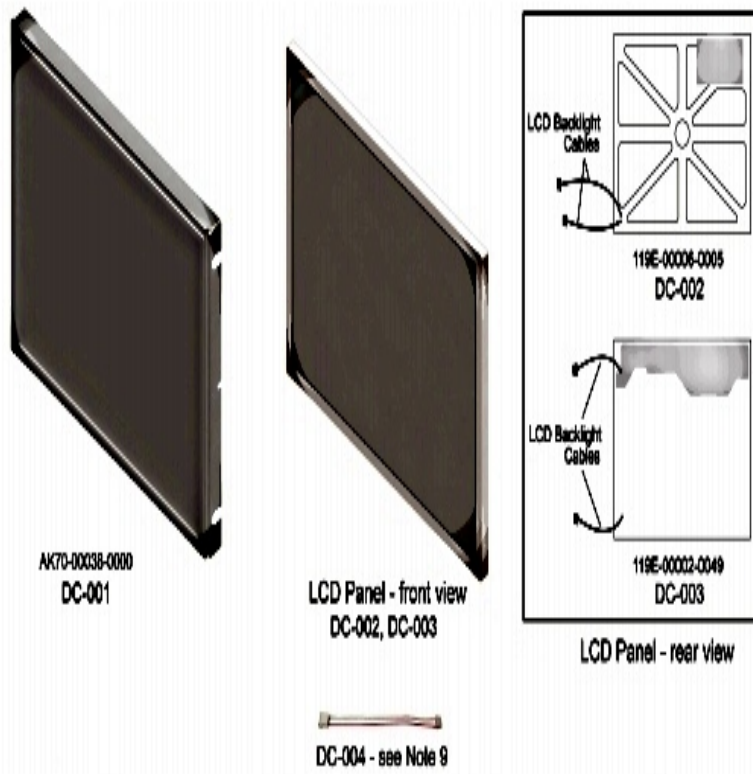


Non-Treadmill Consoles - Digital



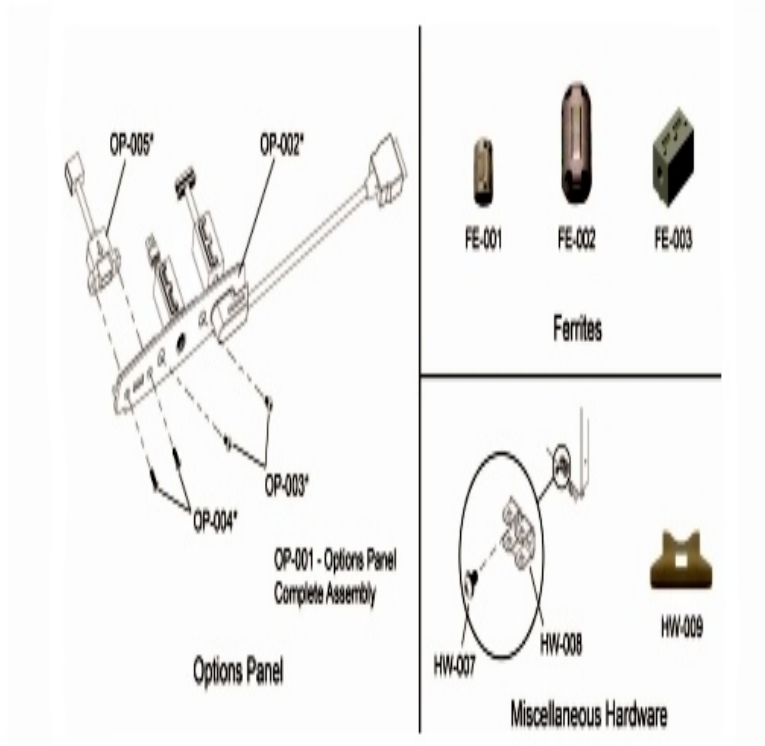
Ref #	Part Number	Qty	Description
-	15DN-ALLXA-02R	1	15 in LCD Bike/CT Console - ATSC - (NC)

Display Components



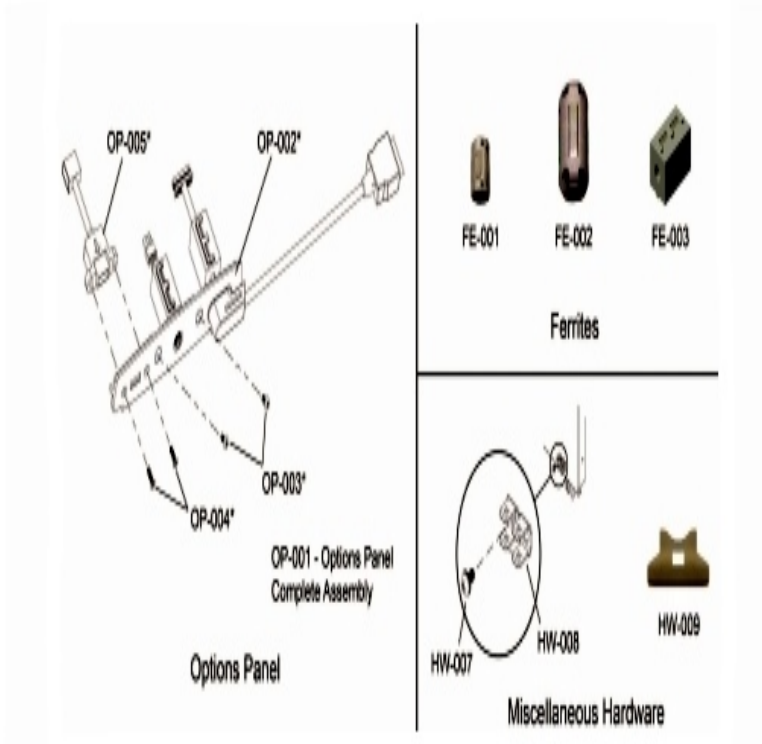
Ref #	Part Number	Qty	Description
DC-001	AK70-00038-0001	1	ASSY: BOLT-ON TOUCHSCREEN W/FLANGE & GASKET
DC-003	119E-00002-0049	1	15-Inch LCD Non-PSWG

Miscellaneous Components - Ferrites



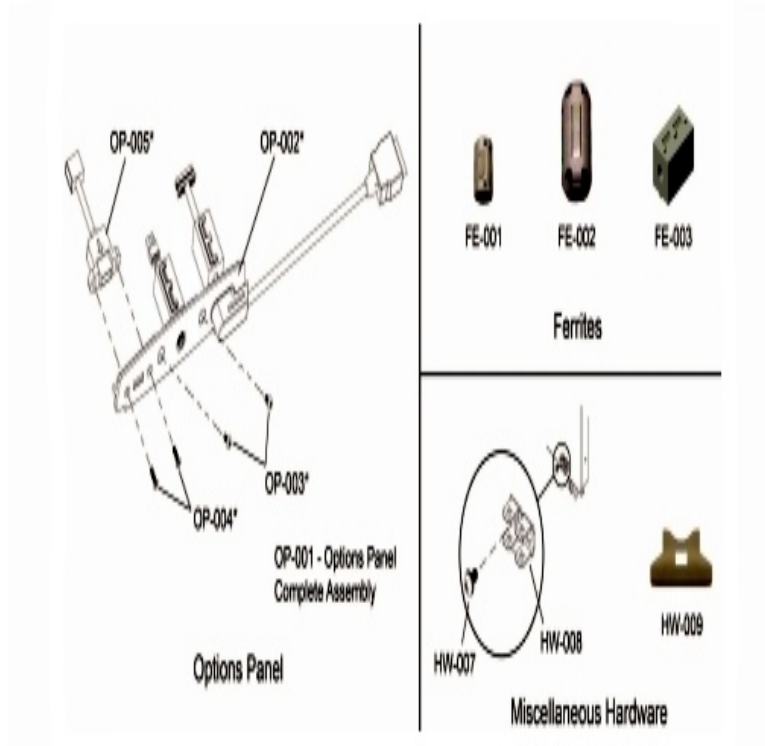
Ref #	Part Number	Qty	Description
FE-001	121E-00001-0025	1	Clamp Filter: Ferrite Core W/Case; Z-Cat Series
FE-002	121E-00001-0016	1	Ferrite-Bead: Snap-On; 13Mm N/D
FE-003	121E-00001-0011	1	Ferrite-Bead: Suppression B

Miscellaneous Components - Misc Hardware



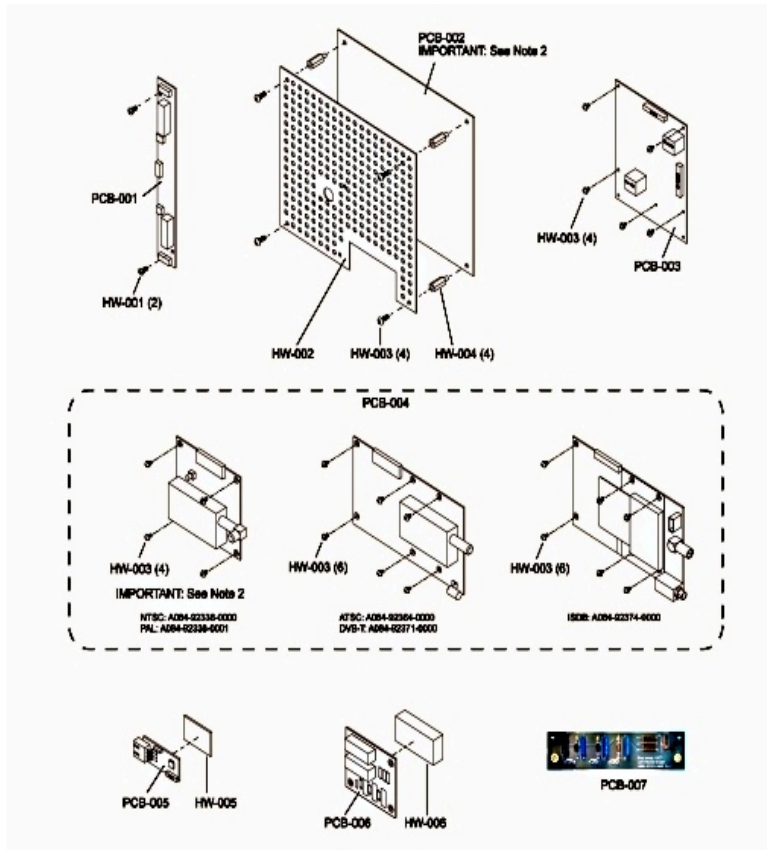
Ref #	Part Number	Qty	Description
HW-007	0017-00101-1971	1	Hardware: Phillips Pan Screw 6 MM
HW-008	0017-00021-3141	1	Quick Disconnect Terminal
HW-009	0017-00042-1207	1	Holder: Flat Tie W/Tape Natural; Nylon

Miscellaneous Components - Options Panel



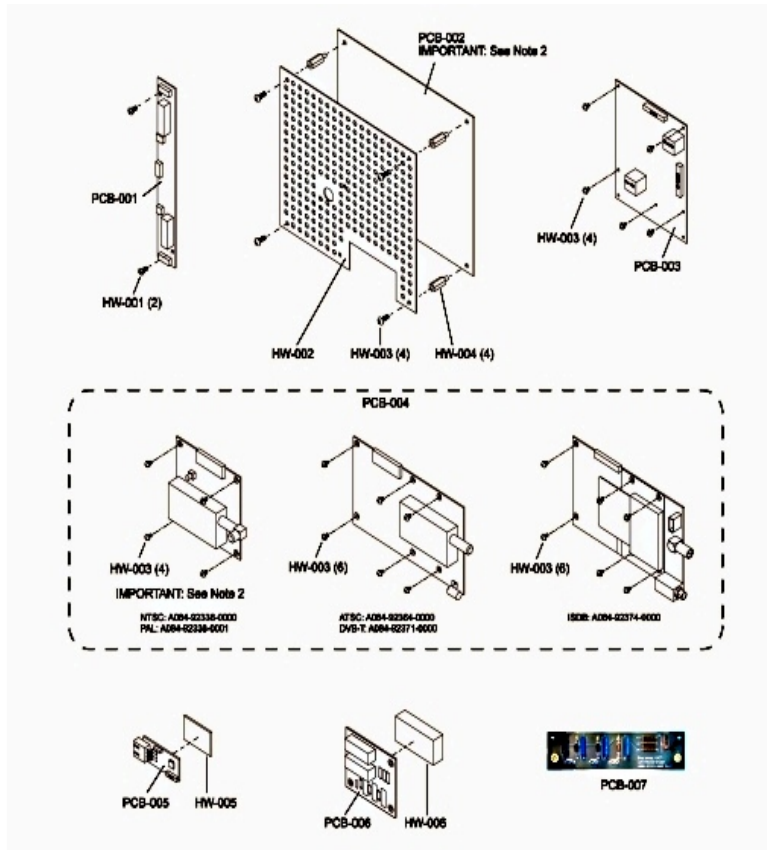
Ref #	Part Number	Qty	Description
OP-001	AK70-00101-0200	1	ASSY: APOLLO 1 OPTION PANEL WITH OVERMOLDED IPOD CABLE
OP-003	0017-00101-1970	1	Hardware: Phillips Screw 8MM
OP-004	0017-00101-2031	1	Hardware: Phillips Screw 10MM
OP-005	0K39-01044-0000	1	Tape

Pcbs



Ref #	Part Number	Qty	Description
PCB-001	135E-00002-0007	1	Inverter for CCFL
PCB-002	A084-92335-0001	1	Programmed PCB
PCB-003	A084-92334-0004	1	PROGRAMMED PCB: B084-92334-0004
PCB-004	A084-92364-0000	1	PROGRAMMED DIGITAL ATSC TUNER MODULE
PCB-005	118E-00001-0244	1	Heart Rate Receiver

Pcbs - Associated Hardware



Ref #	Part Number	Qty	Description
HW-001	0017-00101-1935	1	Phillips Pan Screw
HW-002	0K88-01004-0000	1	Metal Cover SBC
HW-003	0017-00101-1971	1	Hardware: Phillips Pan Screw 6 MM
HW-004	0017-00009-1294	1	Hardware: Standoff Male-Female threaded
HW-005	0K39-01044-0000	1	Tape

