

Elevation Series Engage

15DN-ALLXN-01

Parts Manual

1/5/2019 2:56:02 AM

Table of Contents

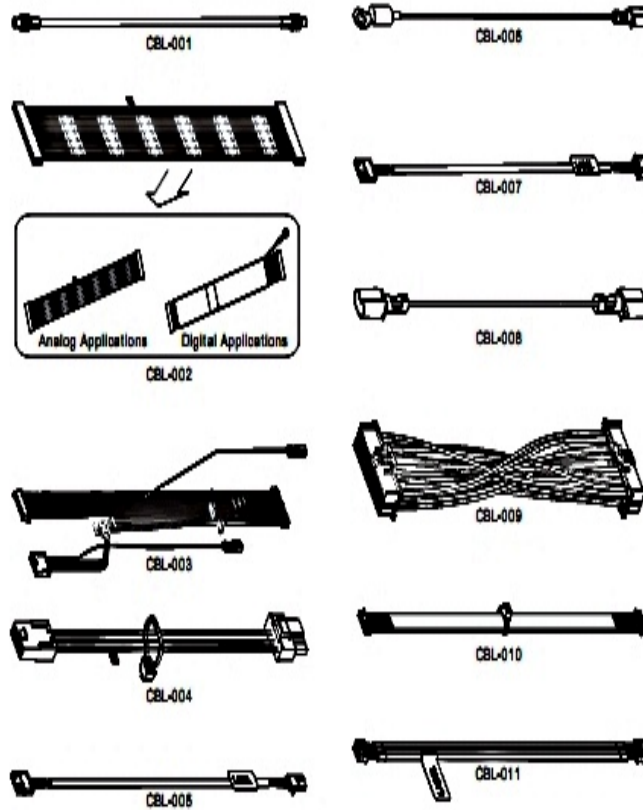
[Bezels](#).....3
[Cables](#).....4
[Console](#).....5
[Display Components](#).....7
[Miscellaneous Components - Misc Hardware](#).....8
[Miscellaneous Components - Options Panel](#).....9
[Pcbs](#).....10
[Pcbs - Associated Hardware](#).....11

Bezels



Ref #	Part Number	Qty	Description
BZ-004	AK70-00022-0000	1	Assembly: Front Bezel "E" Non-Tread Universal
BZ-005	AK70-00023-0000	1	ASM: Back Bezel; Non-Tread Universal Purchased

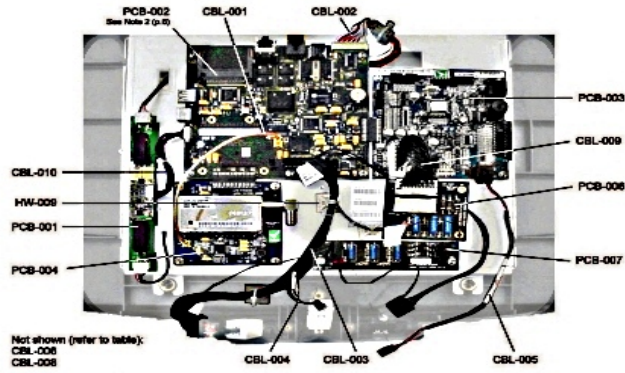
Cables



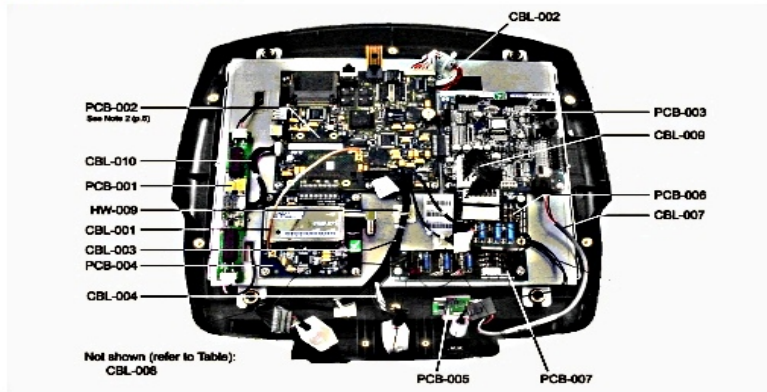
Ref #	Part Number	Qty	Description
CBL-001	AK65-00056-0000	1	Short Coax Cable
CBL-002	AK65-00061-0000	1	Cable: Single Board Controller 15" LCD
CBL-003	AK65-00041-0000	1	Cable: Single Board Controller - User Opt
CBL-004	AK65-00102-0001	1	Cable: External Headphone
CBL-007	AK69-00119-0000	1	Cable: Coded Polar Printed Circuit Board To MIB
CBL-008	AK69-00142-0000	1	Cable: LifePulse Ground ESD
CBL-009	AK70-00063-0000	1	Cable: Console; ESD
CBL-010	AK65-00057-0001	1	Cable: Single Board Controller to Inverter 3.5"
CBL-010	AK65-00057-0000	1	Cable: Single Board Controller - Inverter

Console

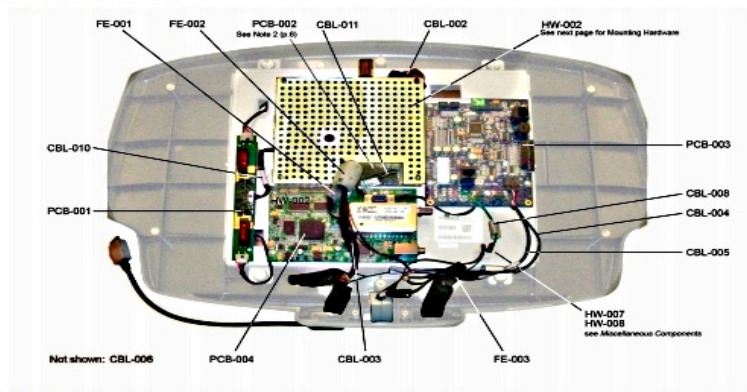
Treadmill Consoles - Analog



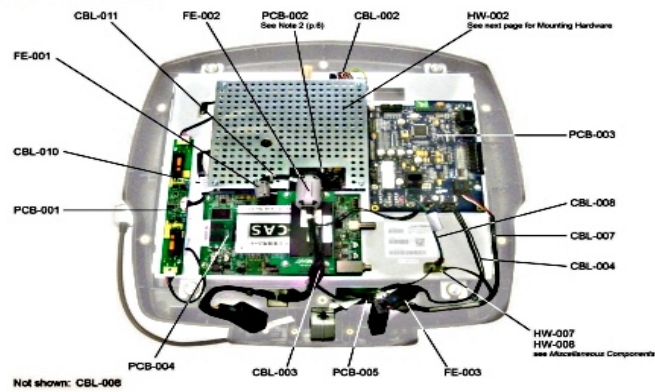
Non-Treadmill Consoles - Analog



Treadmill Consoles - Digital

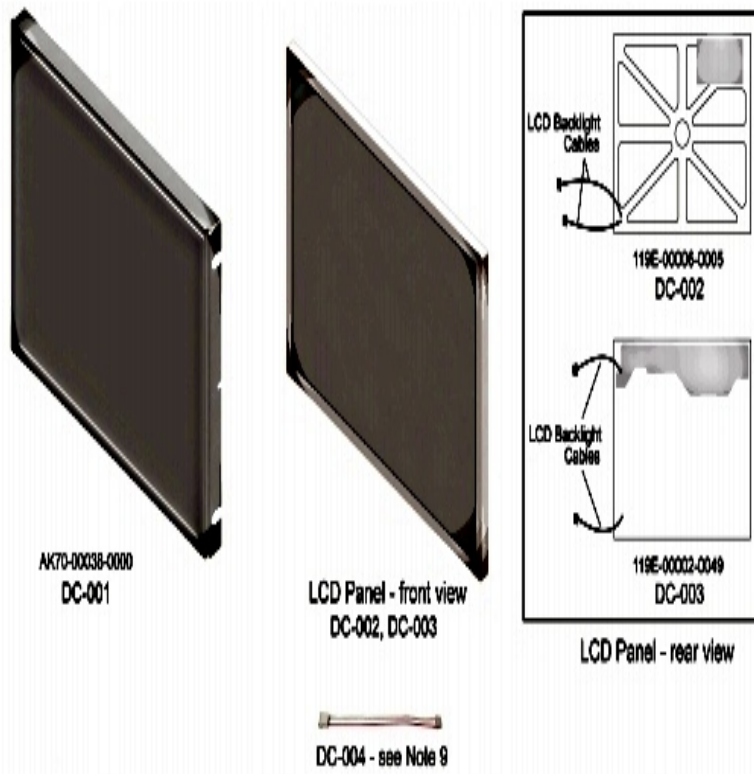


Non-Treadmill Consoles - Digital



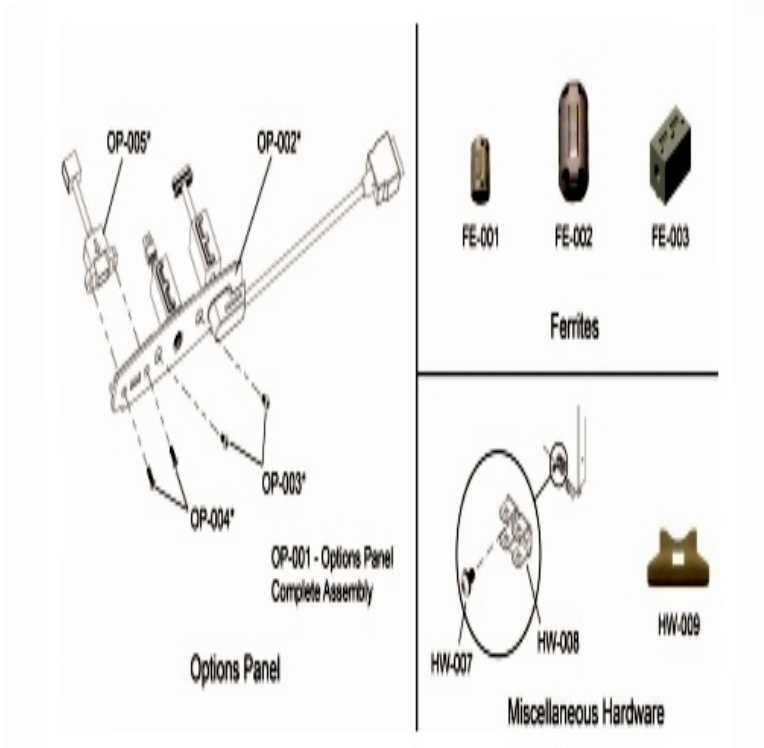
Ref #	Part Number	Qty	Description
-	15DN-ALLXN-01R	1	Elevation Series Engage Console

Display Components



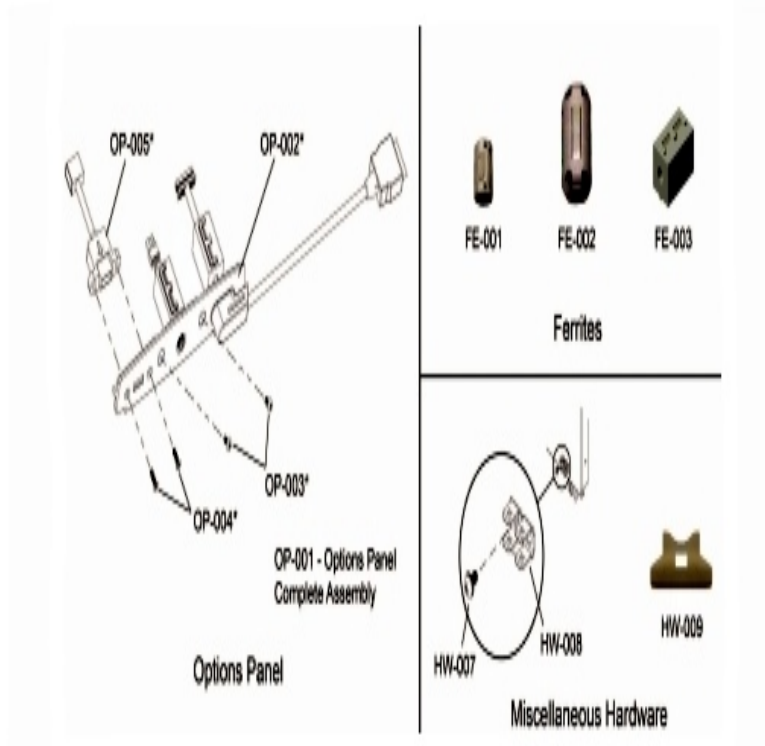
Ref #	Part Number	Qty	Description
DC-001	AK70-00038-0001	1	ASSY: BOLT-ON TOUCHSCREEN W/FLANGE & GASKET
DC-002,DC-003	119E-00002-0049	2	15-Inch LCD Non-PSWG

Miscellaneous Components - Misc Hardware



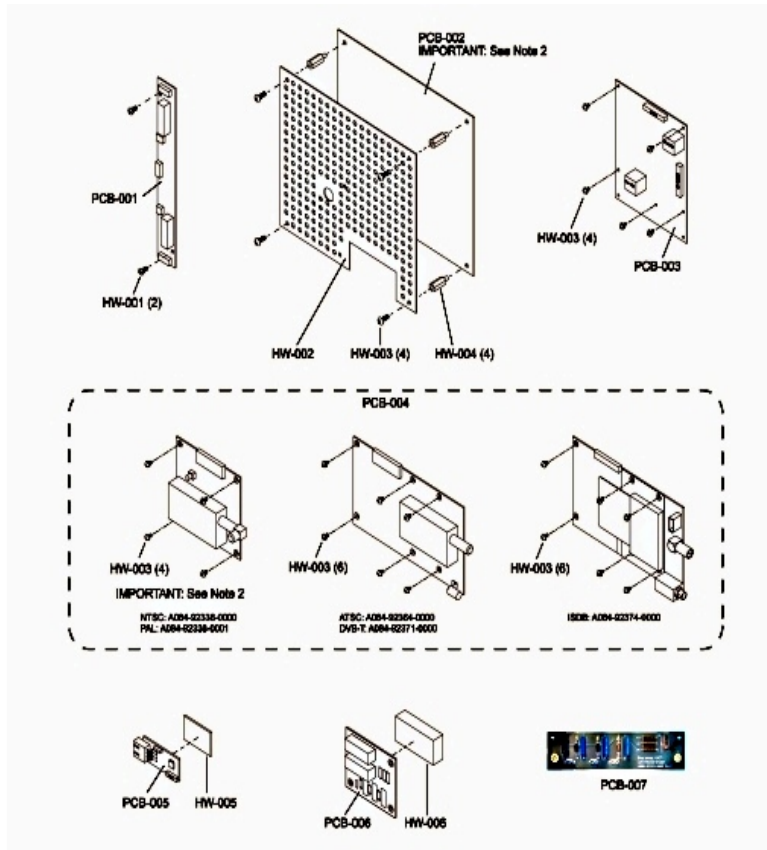
Ref #	Part Number	Qty	Description
HW-009	0017-00042-1207	1	Holder: Flat Tie W/Tape Natural; Nylon

Miscellaneous Components - Options Panel



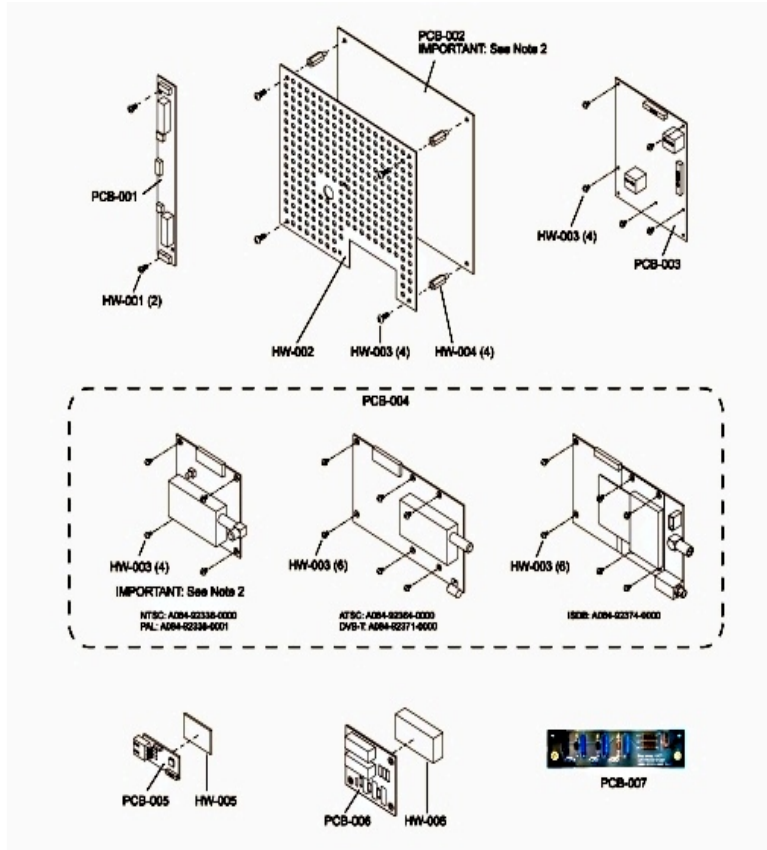
Ref #	Part Number	Qty	Description
OP-001	AK70-00101-0200	1	ASSY: APOLLO 1 OPTION PANEL WITH OVERMOLDED IPOD CABLE
OP-003	0017-00101-1970	1	Hardware: Phillips Screw 8MM
OP-004	0017-00101-2031	1	Hardware: Phillips Screw 10MM
OP-005	0K39-01044-0000	1	Tape

Pcbs



Ref #	Part Number	Qty	Description
PCB-001	135E-00002-0006	1	PCB: Inverter; 12V 6W -20-+70C
PCB-001	135E-00002-0007	1	Inverter for CCFL
PCB-002	A084-92335-0001	1	Programmed PCB
PCB-003	A084-92334-0000	1	Programmed DSP PCB Assy APOLLO Machine Interface Board
PCB-004	B084-92338-0000	1	PCB Assembly Analog Tuner; NTSC BM only
PCB-005	118E-00001-0244	1	Heart Rate Receiver
PCB-006	B084-92355-0000	1	Lifepulse ESD Board
PCB-007	B084-92353-0000	1	PCB: ESD HD Phone

Pcbs - Associated Hardware



Ref #	Part Number	Qty	Description
HW-001	0017-00101-1935	1	Phillips Pan Screw
HW-003	0017-00101-1971	1	Hardware: Phillips Pan Screw 6 MM
HW-005	0K39-01044-0000	1	Tape
HW-006	0K70-01069-0000	1	Tape: Foam double sided

