

# Elevation Series Engage

15DT-DOMXN-01-A

## Parts Manual

1/5/2019 3:01:45 AM

**Table of Contents**

---

[Bezels.....](#)3  
[Console Pcb's And Cables - Cables.....](#)4  
[Console Pcb's And Cables - Pcb's.....](#)5  
[Display Components.....](#)6

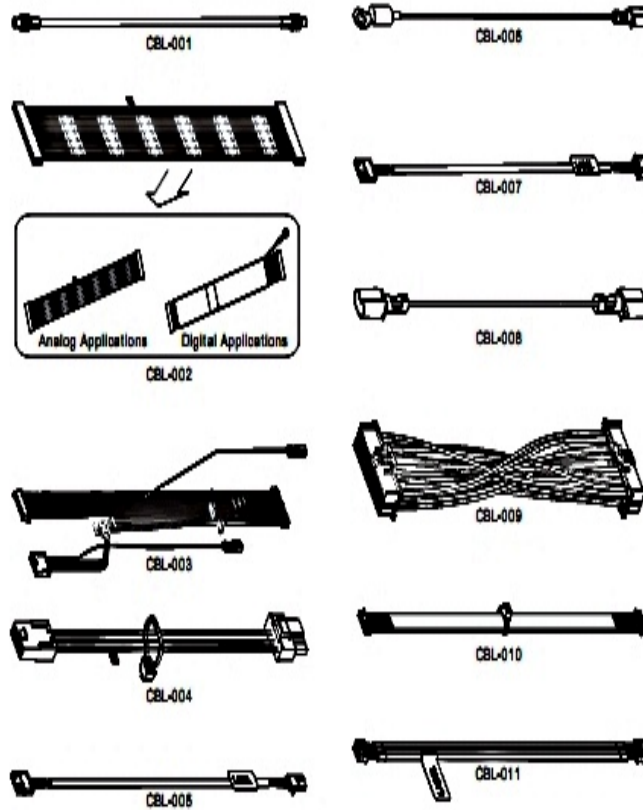
## Bezels

---



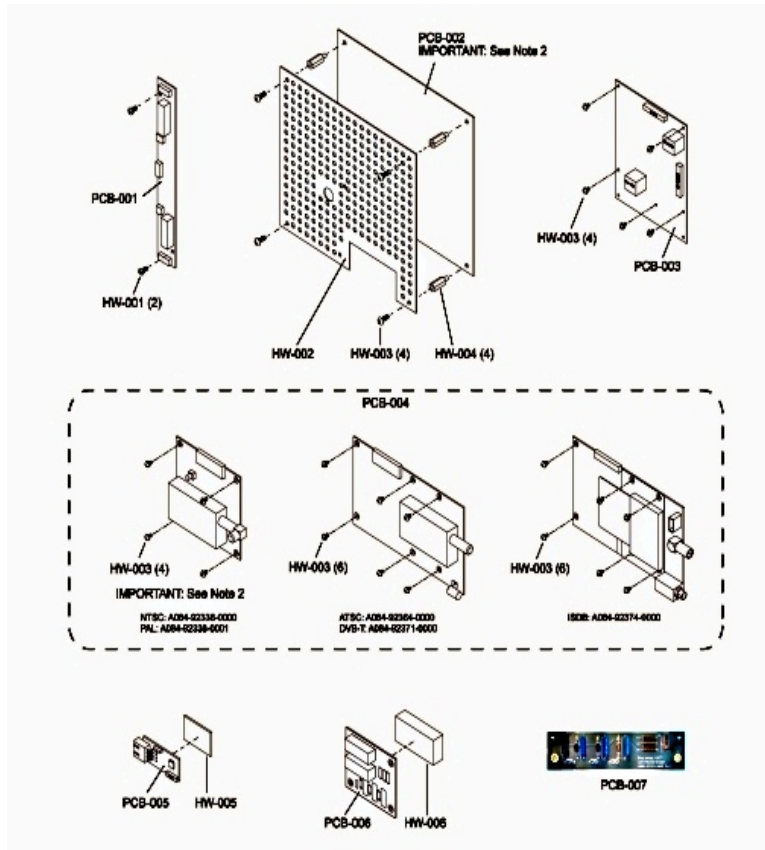
| Ref #  | Part Number     | Qty | Description                              |
|--------|-----------------|-----|--|
| BZ-002 | AK70-00020-0001 | 1   | Assembly: Front Bezel "E" Tread Domestic |
| BZ-003 | AK70-00014-0000 | 1   | Assembly: Console Back CaseTi/Te         |

## Console Pcb's And Cables - Cables



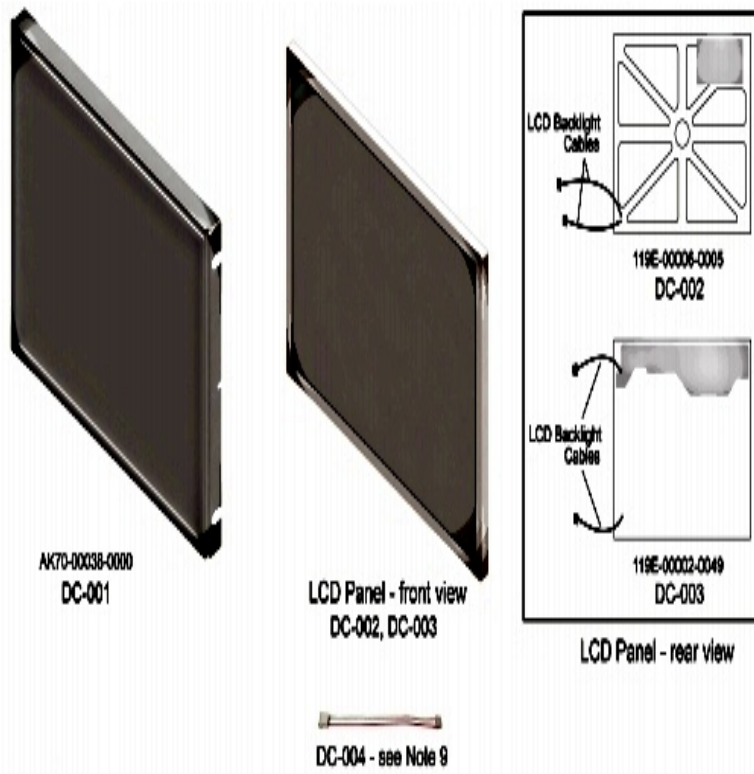
| Ref #   | Part Number     | Qty | Description                                     |
|---------|-----------------|-----|---|
| CBL-001 | AK65-00056-0000 | 1   | Short Coax Cable                                |
| CBL-002 | AK65-00061-0000 | 1   | Cable: Single Board Controller 15" LCD          |
| CBL-003 | AK65-00041-0000 | 1   | Cable: Single Board Controller - User Opt       |
| CBL-004 | AK65-00102-0001 | 1   | Cable: External Headphone                       |
| CBL-005 | AK70-00037-0000 | 1   | Cable: Uncoded Polar                            |
| CBL-006 | AK65-00103-0000 | 1   | Ground ESD Cable                                |
| CBL-010 | AK65-00057-0000 | 1   | Cable: Single Board Controller - Inverter       |
| CBL-010 | AK65-00057-0001 | 1   | Cable: Single Board Controller to Inverter 3.5" |

## Console Pcb's And Cables - Pcb's



| Ref #   | Part Number     | Qty | Description  |
|---------|-----------------|-----|--|
| PCB-001 | 135E-00002-0006 | 1   | PCB: Inverter; 12V 6W -20-+70C                         |
| PCB-001 | 135E-00002-0007 | 1   | Inverter for CCFL                                      |
| PCB-002 | B084-92338-0000 | 1   | PCB Assembly Analog Tuner; NTSC BM only                |
| PCB-003 | A084-92335-0001 | 1   | Programmed PCB   |
| PCB-004 | A084-92334-0000 | 1   | Programmed DSP PCB Assy APOLLO Machine Interface Board |
| PCB-005 | B084-92353-0000 | 1   | PCB: ESD HD Phone                                      |

## Display Components



| Ref #         | Part Number     | Qty | Description                                 |
|---------------|-----------------|-----|---|
| DC-001        | AK70-00038-0001 | 1   | ASSY: BOLT-ON TOUCHSCREEN W/FLANGE & GASKET |
| DC-002,DC-003 | 119E-00002-0049 | 2   | 15-Inch LCD Non-PSWG                        |

