

Seated Calf

16212-10

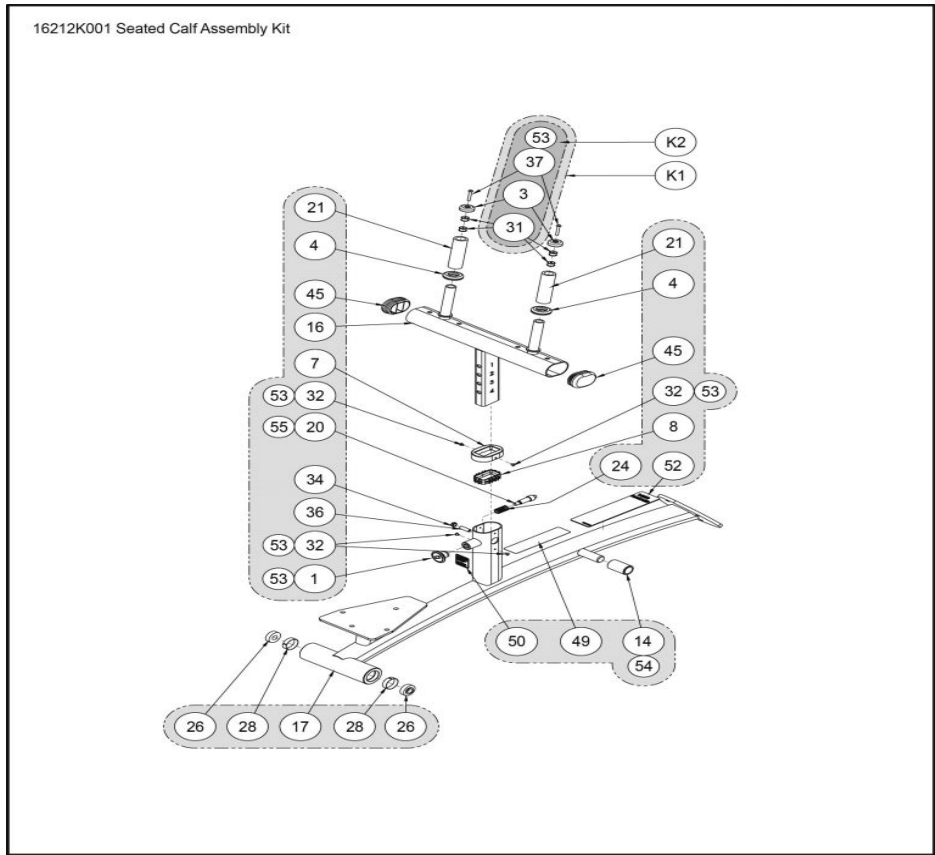
Parts Manual

1/5/2019 3:20:26 AM

Table of Contents

1612K001	3
16212 Main Assembly	5

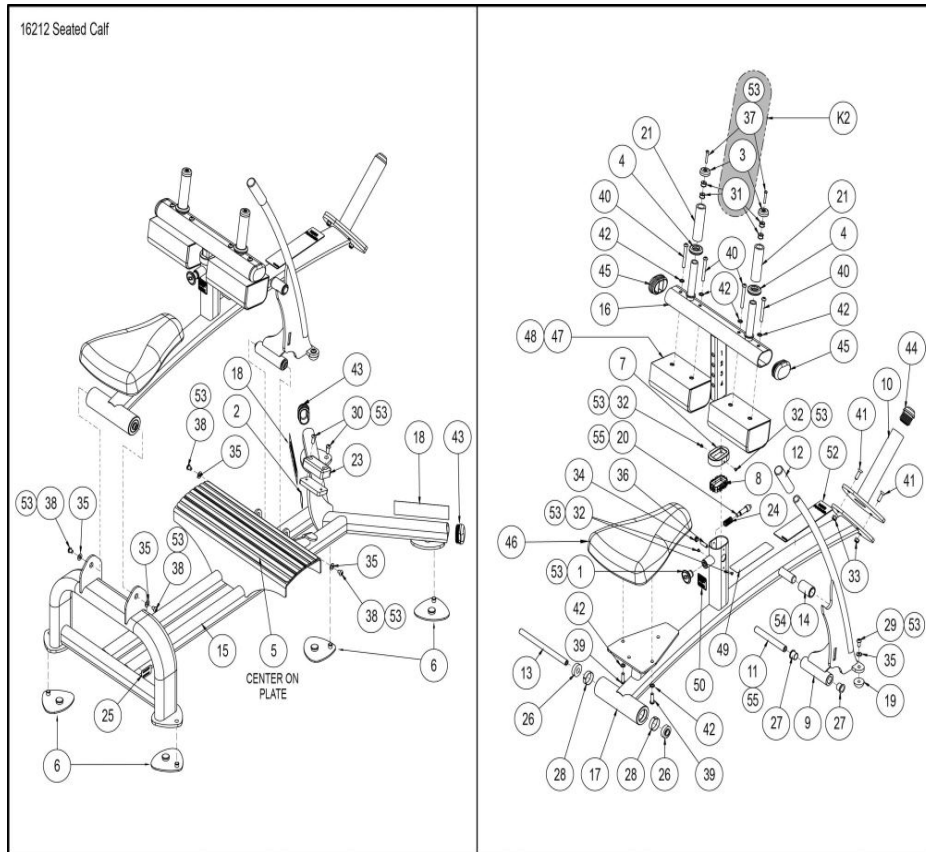
1612K001



Ref #	Part Number	Qty	Description
K1	16212K001	1	SEATED CALF ASSEMBLY- Custom
1	11040-440	1	KNOB
K2	11090K006	1	KIT HANDLE TRIM RING
3	11090-374	1	END CAP
4	11090-376	2	RING HANDLE GRIP
7	16060-316	1	PLASTIC GUIDE
8	16060-317	1	PLASTIC GUIDE
14	16210-330	1	SLEEVE
16	16212-202	1	W/ ADJUSTING TUBE Custom
17	16212-201	1	W/ PIVOT ARM Custom
20	4505-329	1	PIN DETENT
21	4605-514	2	GRAB GRIP 4.50
24	BS070201	1	COM SPRING .56 ID X .66 OD X 1.50 LG
26	FB030232	2	BRG RADIAL 17MM ID EXT RACE
28	FC030006	2	TOLERANCE RING 1.575 ID
31	HF449063	4	INSERT 3-4X1-4-20 CONNECTOR
32	HM583208	4	SCREW,10-32X.25,TRHD PHIL
34	HN704902	1	LOCKNUT NYLON .375-16
36	HY702916	1	SET SCREW .375-16 X 1.25
37	JC620422	1	BHSCS .250-20 X 1.50
45	PP130007	2	Insert Plastic
49	DE000001	1	Decal Warning Custom

Ref #	Part Number	Qty	Description
50	8500-025	1	DECAL CAUTION Custom
52	16210-598	1	Placard Seated Calf Custom

16212 Main Assembly



Ref #	Part Number	Qty	Description
1	11040-440	1	KNOB
2	11040-790	1	NLA: DECAL, MADE IN THE USA
K2	11090K006	1	KIT HANDLE TRIM RING
3	11090-374	2	END CAP
4	11090-376	2	RING HANDLE GRIP
5	12120-326	1	NON-SLIP
6	16010-311	2	Pad Foot
7	16060-316	1	PLASTIC GUIDE
8	16060-317	1	PLASTIC GUIDE
9	16210-203	1	W/ PIVOT ARM Custom
10	16210-204	1	P/ WEIGHT BRACKET
11	16210-318	1	PIN, PIVOT
12	16210-323	1	Grip Vinyl
13	16210-329	1	PIVOT SHAFT
14	16210-330	1	SLEEVE
15	16211-200	1	W/ MAIN FRAME Custom
16	16212-202	1	W/ ADJUSTING TUBE Custom
17	16212-201	1	W/ PIVOT ARM Custom
18	3900-447	1	DECAL CYBEX 1.94 HOR BLACK
18	3900-448	1	
19	4505-331	1	BUMPER 1.50 DIA
20	4505-329	1	PIN DETENT

Ref #	Part Number	Qty	Description
21	4605-514	2	GRAB GRIP 4.50
22	51198	1	WARRANTY BOOKLET
23	5220-305	1	BUMPER 2.00 X 4.00
24	BS070201	1	COM SPRING .56 ID X .66 OD X 1.50 LG
25	CM000245	1	DECAL, CAPACITY
26	FB030232	2	BRG RADIAL 17MM ID EXT RACE
27	FB130212	2	BUSHING FLANGE FOOTPLATE.75ID
28	FC030006	2	TOLERANCE RING 1.575 ID
29	HC700415	1	BHSCS .375-16 X .75
30	HC700416	2	BHSCS .375-16 X .875
31	HF449063	4	INSERT 3-4X1-4-20 CONNECTOR
32	HM583208	4	SCREW,10-32X.25,TRHD PHIL
33	HN704901	2	LOCKNUT .375-16 NYLON
34	HN704902	1	LOCKNUT NYLON .375-16
35	HS347600	5	WASHER SAE .375
36	HY702916	1	SET SCREW .375-16 X 1.25
37	JC620422	2	BHSCS .250-20 X 1.50
38	JC700412	4	BHSCS .375-16 X .50
39	JC700420	2	BHSCS .375-16 X 1.25
40	JC700434	4	BHSCS .375-16 X 3.00
41	JC700920	1	FHSCS .375-16 X 1.25
42	JS347400	6	LOCKWASHER INT TOOTH .375
43	PP130003	2	INSERT PLASTIC
44	PP130006	1	Insert Plastic End
45	PP130007	2	Insert Plastic
46	4800-172	1	CUSHION SA BIKE 15in MOLDED Custom
47	4800-071	1	COVERED CUSHION Custom
48	4800-101	1	WEAR COVER SA 8 CONTOUR DBL Custom
49	DE000001	1	Decal Warning Custom
50	8500-025	1	DECAL CAUTION Custom
52	16210-598	1	Placard Seated Calf Custom

