

# Jungle Gym Hi-Lo Cable

17050-10

## Parts Manual

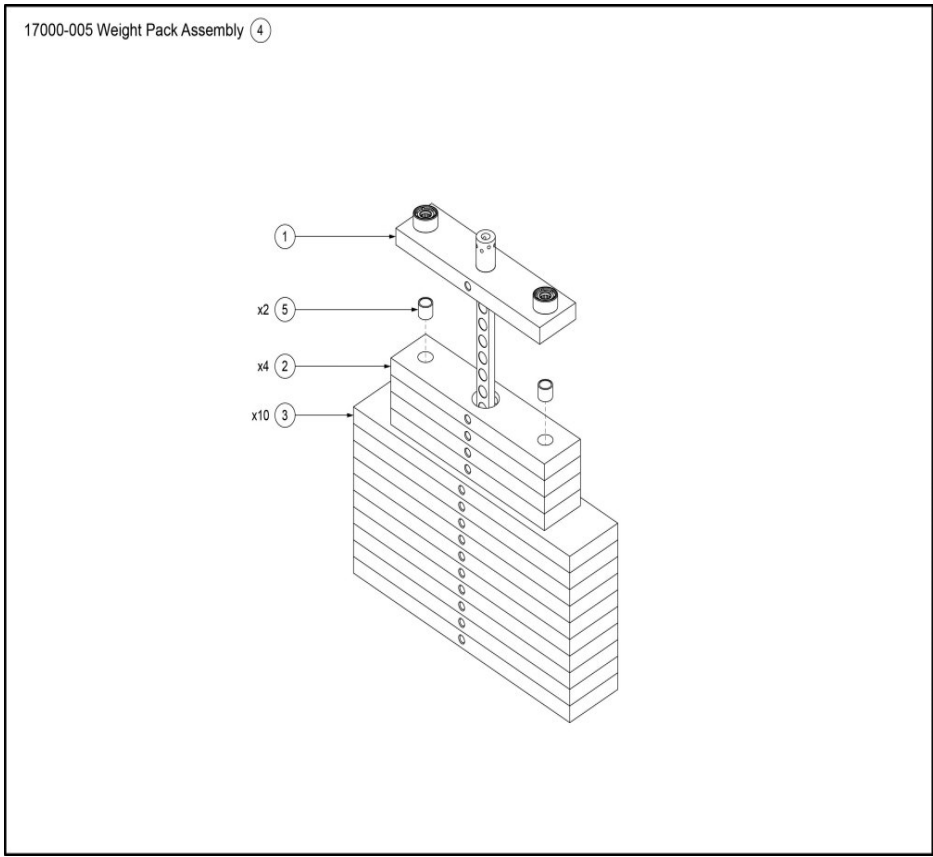
1/5/2019 3:37:38 AM

**Table of Contents**

---

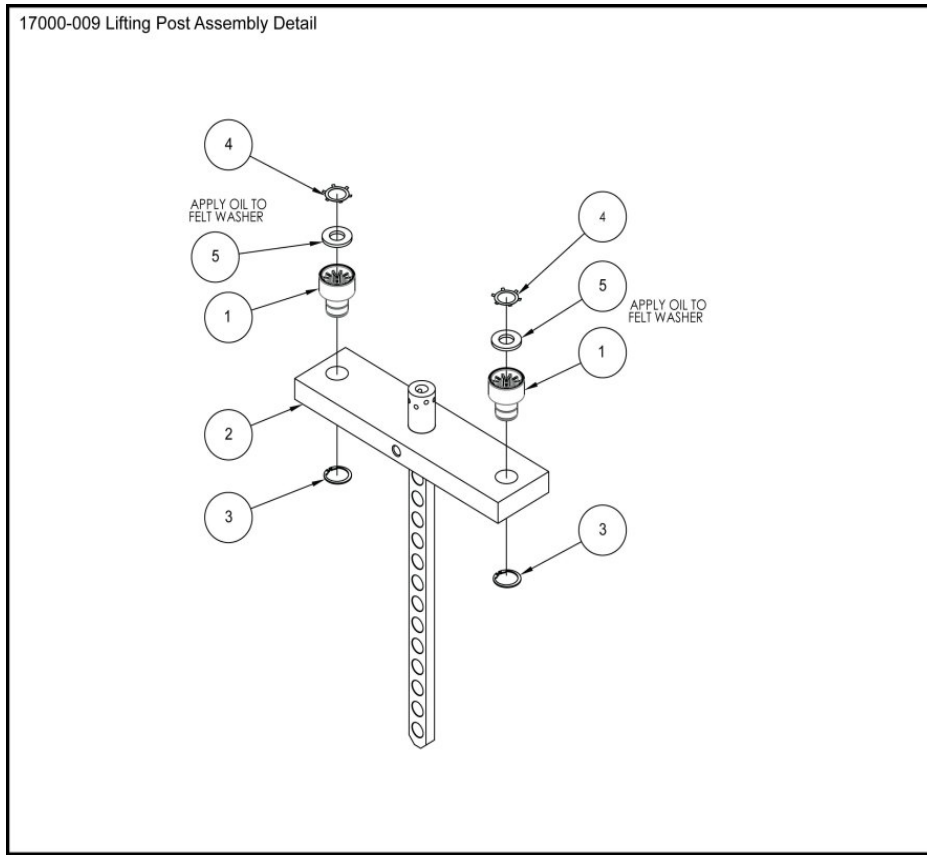
[17000-005 Weight Stack](#).....3  
[17000-009 Lifting Post](#).....4  
[17050 Hi Lo Cable](#).....5  
[17050 Panel Assembly](#).....7

# 17000-005 Weight Stack



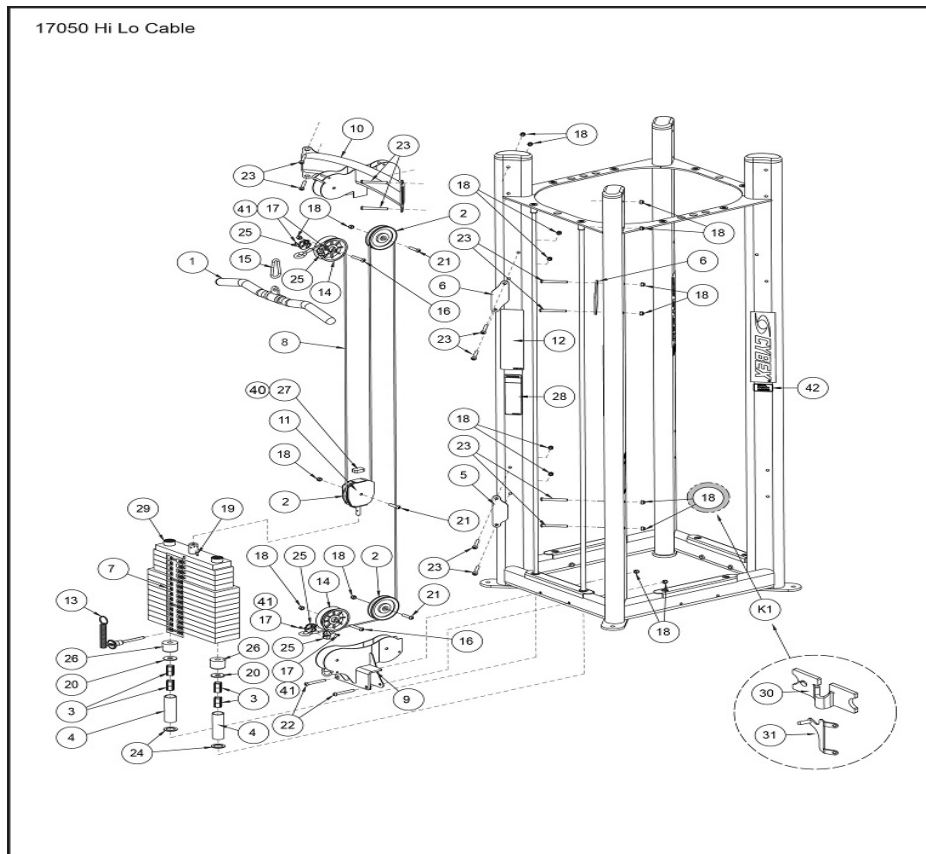
Ref #	Part Number	Qty	Description
1	17000-009	1	TOP WEIGHT ASSEMBLY 15, 3 X 12
2	4700-337	5	C Stack Weight 10 lbs exact
3	4700-338	13	C Stack Weight 15 lbs exact
4	17000-005	1	WEIGHT STACK ASSY 200 LBS
5	FB130216	2	Bushing Weight Stack

# 17000-009 Lifting Post



Ref #	Part Number	Qty	Description
1	13000-364	2	BEARING FLNG .62 ID X .92 OD X 1.75 LG
2	4700C070	1	C TOP WT 15-3X12
3	BR030206	2	RETAINING RING
4	BR030220	2	RETAINING RING 1.250 INTERNAL
5	HS720004	2	WASHER FELT .641 ID X 1.250 OD X .125 T

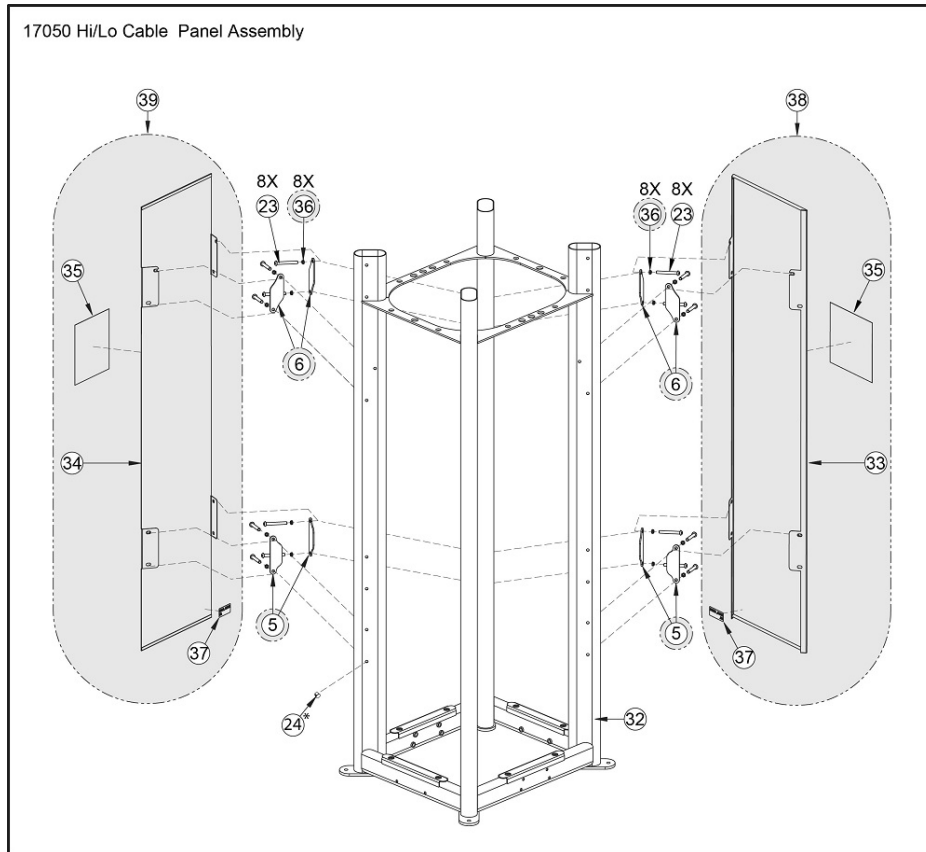
17050 Hi Lo Cable



Ref #	Part Number	Qty	Description
K1	17050K003	1	KIT, JUNGLE GYM INCREMENT WEIGHT
2	08014	3	PULLEY ASSEMBLY-4.50
3	12210-352	4	INSERT PLASTIC
4	12210-359	2	TUBE SPACER
5	17000-330	1	PLATE Custom
6	17000-331	2	PLATE Custom
7	DE000012	1	DECAL, WT PLATE (5-100)2;1
8	17050-002	1	CABLE ASSEMBLY
9	17050-200	1	W BOTTOM PULLEY MOUNT Custom
10	17050-201	1	W TOP PULLEY MOUNT Custom
11	17050-203	1	W PULLEY TAB Custom
12	17050-598	1	PLACARD, HI-LO CABLE
13	BH030207	2	PIN WEIGHT SELECTOR
14	GP000216	2	PULLEY ASM, 4.00 WIDE V
15	3250201	1	Snap Link 3/8" D
16	HC700428	2	BHSCS .375-16 X 2.25
17	HM580410	3	BHSCS .190-10-32 X .375
18	HN704003	19	LOCKNUT, .375-16 NYLON PATCH
19	HP286819	1	SPIRAL PIN .188 X 1.12
20	HS760106	2	WASH FLAT 1.750 .688 .140 T
21	JC700424	3	BHSCS .375-16 X 1.75
22	JC700434	2	BHSCS .375-16 X 3.00

Ref #	Part Number	Qty	Description
23	JC700436	9	BHSCS .375-16 X 3.25
24	JS497600	2	WASHER 1.19 ID X 1.75 OD X .12 THK
25	PP040004	4	BALL STOP
26	PR060005	2	BUMPER WEIGHT
27	PU060201	1	BUMPER
28	DE000001	1	Decal Warning Custom
29	17000-005	1	WEIGHT STACK ASSY 200 LBS
30	17001-340	1	C/ INCREMENT WEIGHT 3X12
31	17030-205	1	W BRACKET, INCREMENT WEIGHT Custom
42	DE000005	1	Decal Caution Custom

# 17050 Panel Assembly



Ref #	Part Number	Qty	Description
5	17000-330	2	PLATE Custom
6	17000-331	2	PLATE Custom
23	JC700436	16	BHSCS .375-16 X 3.25
24	PP080231	1	PLASTIC INSERT, .375 Caplugs Part # QDOP375Q1
32	17000-200	1	W FRAME Custom
33	17007-301	1	GUARD Custom
34	17008-300	1	GUARD Custom
35	3900-442	1	DECAL CYBEX VER SILVER
35	3900-441	1	DECAL CYBEX VER BLACK
36	HN704902	16	LOCKNUT NYLON .375-16
37	CM000202	1	
38	17007-001	1	BLANK STATION NARROW ASSEMBLY Custom
39	17008-001	1	BLANK STATION WIDE ASSEMBLY Custom

