

JUNGLE GYM ADJUSTABLE CABLE

17091-01

Parts Manual

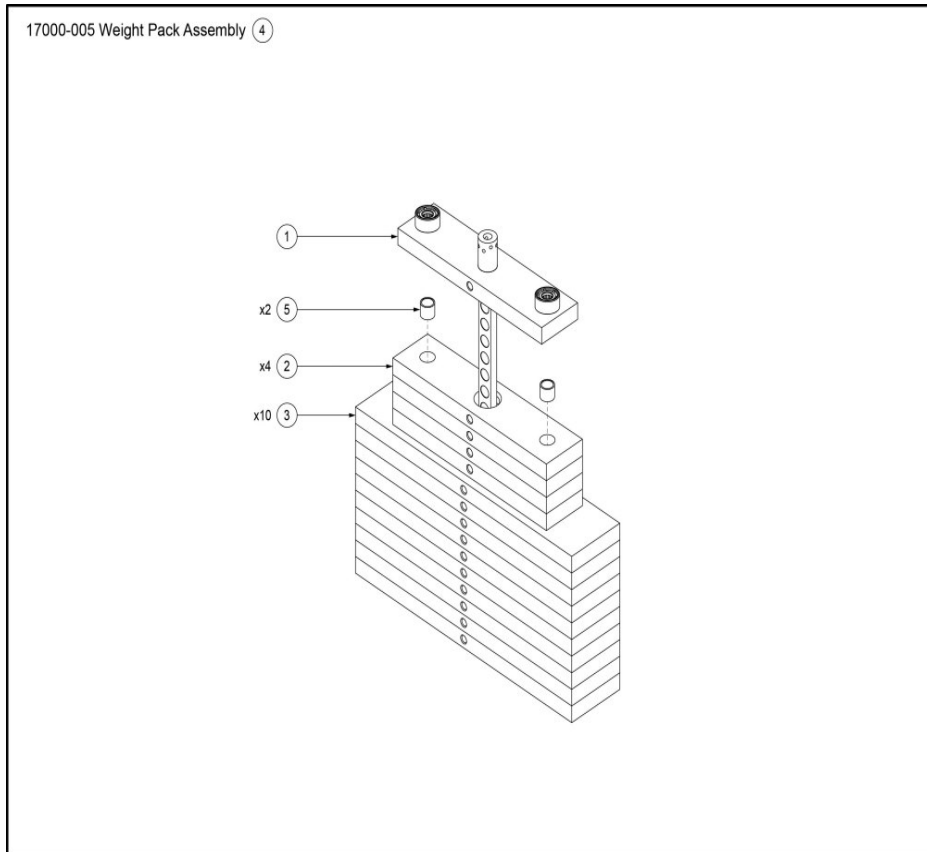
1/5/2019 3:40:28 AM



Table of Contents

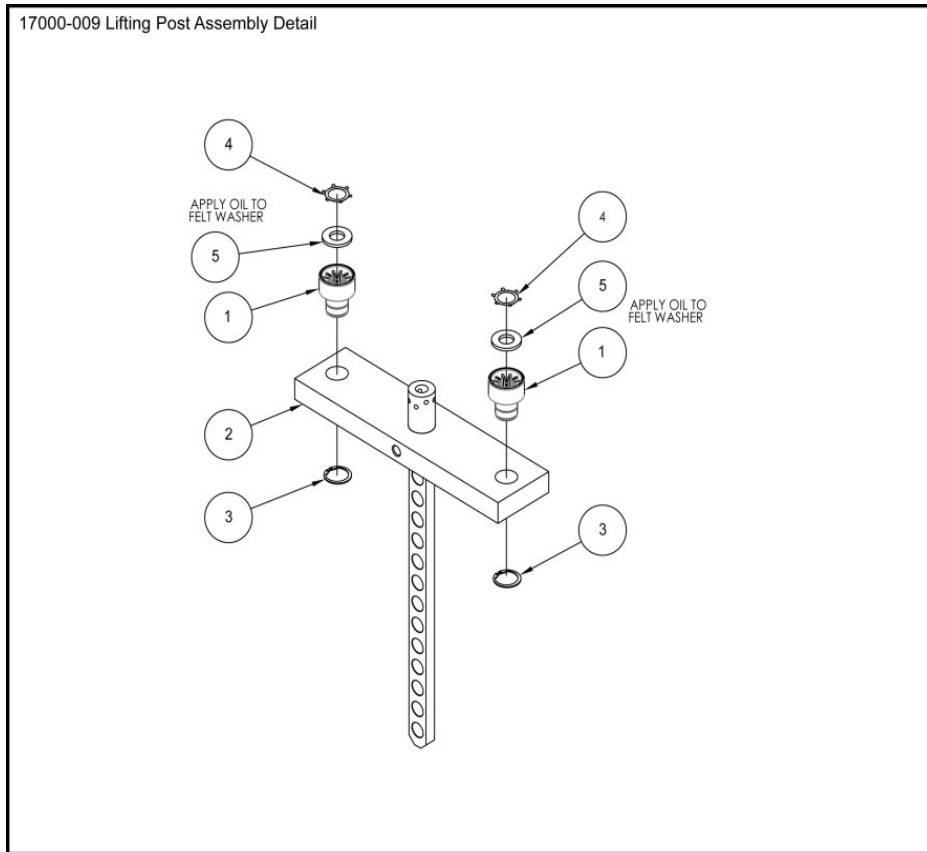
17000-005 Weight Stack	3
17000-009 Lifting Post	4
17091 Adjustable Cable	5
17091 Shroud Assembly	7

17000-005 Weight Stack



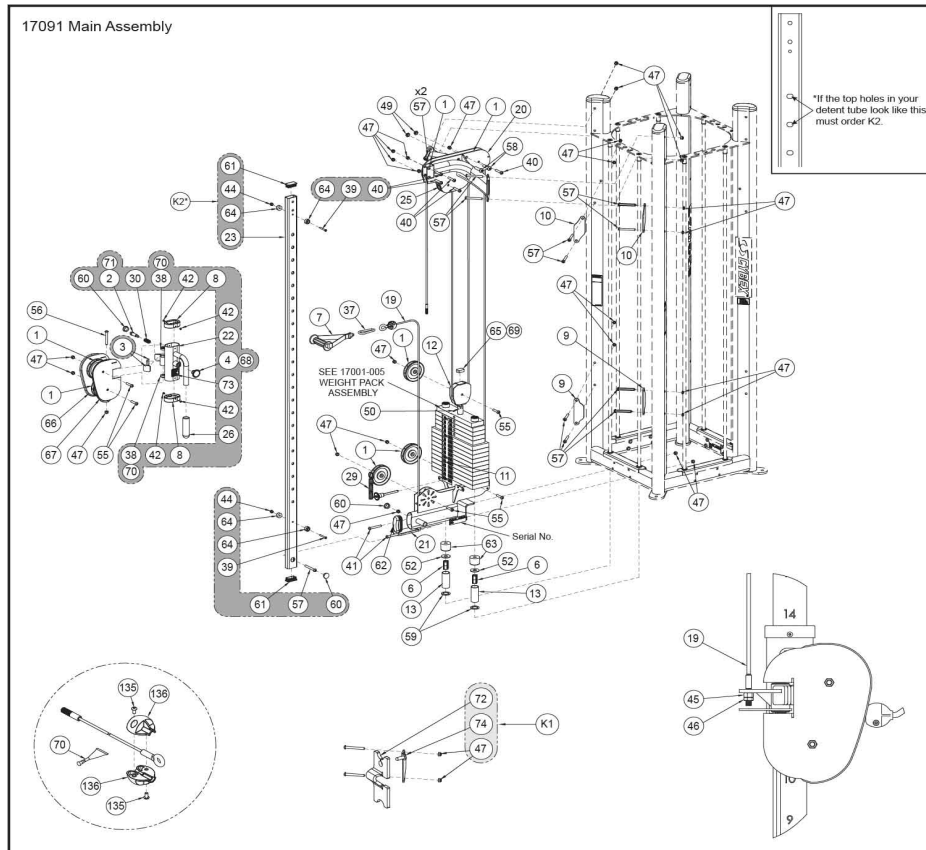
Ref #	Part Number	Qty	Description
1	17000-009	1	TOP WEIGHT ASSEMBLY 15, 3 X 12
2	4700-337	5	C Stack Weight 10 lbs exact
3	4700-338	13	C Stack Weight 15 lbs exact
4	17000-005	1	WEIGHT STACK ASSY 200 LBS
5	FB130216	2	Bushing Weight Stack

17000-009 Lifting Post



Ref #	Part Number	Qty	Description
1	13000-364	2	BEARING FLNG .62 ID X .92 OD X 1.75 LG
2	4700C070	1	C TOP WT 15-3X12
3	BR030206	2	RETAINING RING
4	BR030220	2	RETAINING RING 1.250 INTERNAL
5	HS720004	2	WASHER FELT .641 ID X 1.250 OD X .125 T

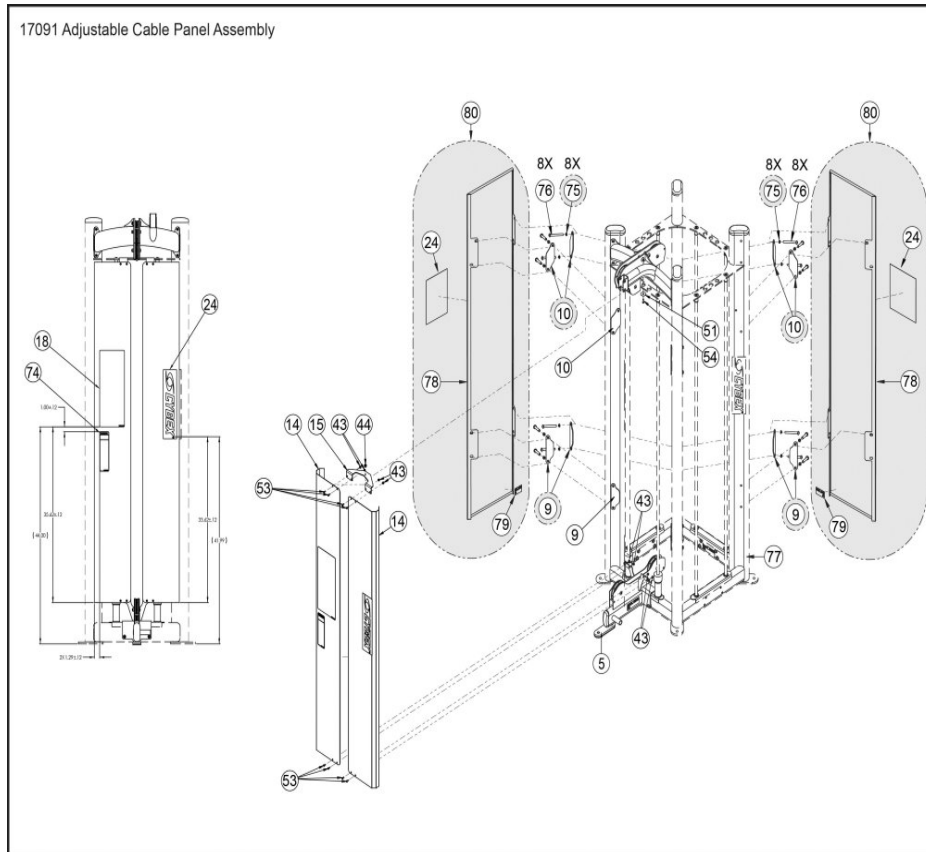
17091 Adjustable Cable



Ref #	Part Number	Qty	Description
1	08014	7	PULLEY ASSEMBLY-4.50
K1	17050K003	1	KIT, JUNGLE GYM INCREMENT WEIGHT
K2	1007880-0001	1	KIT: 17091 & 17092 TAPERED DETENT PIN
2	1006668-0001	1	PIN ASSEMBLY, DETENT
3	11040-409	1	BUMPER
4	11040-440	1	KNOB
6	12210-352	2	INSERT PLASTIC
7	12220-005	1	Handle Assembly
8	16060-316	1	PLASTIC GUIDE
11	DE000012	2	DECAL, WT PLATE (5-100)2;1
12	17050-203	1	W PULLEY TAB Custom
13	17090-331	2	SPACER TUBE
19	17091-002	2	CABLE ASSEMBLY
20	17091-200	1	W TOP PULLEY MOUNT Custom
21	17091-201	1	W BOTTOM PULLEY MOUNT Custom
22	17091-202	1	W ADJUSTING HANDLE
23	17091-324	1	DETENT TUBE
25	4400-354	1	PULLEY ASSEMBLY-3.50
26	4800-700	1	GRIP 4.75 FOAM
27	51198	1	WARRANTY BOOKLET
29	BH030207	1	PIN WEIGHT SELECTOR
30	BS070201	3	COM SPRING .56 ID X .66 OD X 1.50 LG

Ref #	Part Number	Qty	Description
37	3250201	1	Snap Link 3/8" D
38	HB-60011	2	BEARING FLANGE 3-8IN.IDX1.0 OD
39	HC620431	2	BHSCS .250-20 X 2.00
40	HC700426	5	BHSCS .375-16 X 2.00
41	HC700432	2	BHSCS .375-16 X 2.75
42	HM583208	4	SCREW,10-32X.25,TRHD PHIL
44	HN625200	2	LOCKNUT .250-20 NYLON HVY
45	HN704000	1	HEX NUT .375-16
46	HN704400	1	JAM NUT .375-16
47	HN704901	28	LOCKNUT .375-16 NYLON
49	HN784901	2	Locknut .500-13 Nylon Thin
50	HP286819	1	SPIRAL PIN .188 X 1.12
52	HS760106	2	WASH FLAT 1.750 .688 .140 T
55	JC700424	2	BHSCS .375-16 X 1.75
56	JC700434	1	BHSCS .375-16 X 3.00
57	JC700436	8	BHSCS .375-16 X 3.25
58	JC780426	1	BHSCS .500-13 X 2.00
59	JS497600	2	WASHER 1.19 ID X 1.75 OD X .12 THK
60	PN660200	2	INSERT PLASTIC 1.00 DIA-11 GA
61	PP090217	3	INSERT, PLASTIC 1.25 X 2.25
62	PP130002	1	INSERT DOMED PLASTIC
63	PR060005	2	BUMPER WEIGHT
64	PR069400	4	BUMPER RECESS
65	PU060201	1	BUMPER
66	17091-350	1	BRACKET, ADJUSTING- Custom
67	17091-349	1	SHIELD, ADJUSTING Custom
68	YA000201	1	ADH THRD LKR REM .02 OZ 242
69	YA000222	1	ADH BNDG CYANOACRYLATE
70	YA000226	1	LOCTITE 680 .5 ML
71	YG000002	1	NLA: Please use Lithium Grease
72	17001-340	1	C/ INCREMENT WEIGHT 3X12
73	8500-025	1	DECAL CAUTION Custom
74	17000-205	1	W INCREMENT WEIGHT MOUNT
135	HM580410	1	BHSCS .190-10-32 X .375
136	PP040004	1	BALL STOP

17091 Shroud Assembly



Ref #	Part Number	Qty	Description
5	12090-322	1	PAD FOOT
9	17000-330	4	PLATE Custom
10	17000-331	4	PLATE Custom
14	17090-340	2	SHROUD Custom
15	17090-341	1	MOUNTING PLATE
18	17090-598	1	PLACARD, ADJUSTABLE CABLE
24	3900-447	1	DECAL CYBEX 1.94 HOR BLACK
24	3900-448	1	
43	HN575100	8	LOCKNUT .190-NO 10-24
44	HN625200	1	LOCKNUT .250-20 NYLON HVY
51	HS307608	1	WASHER .281 ID 1.50 OD .050
53	HX570412	4	BHSCS 10-24 X .50 SS
54	JC620415	1	BHSCS .250-20 X .75
72	DE000005	1	Decal Caution Custom
74	DE000001	1	Decal Warning Custom
75	HN704902	16	LOCKNUT NYLON .375-16
76	JC700436	16	BHSCS .375-16 X 3.25
77	17001-200	1	W FRAME Custom
78	17007-301	2	GUARD Custom
80	17007-001	2	BLANK STATION NARROW ASSEMBLY Custom
81	PP080231	1	PLASTIC INSERT, .375 Caplugs Part # QDOP375Q1

