

ASSISTED DIP/CHIN

17160-01

Parts Manual

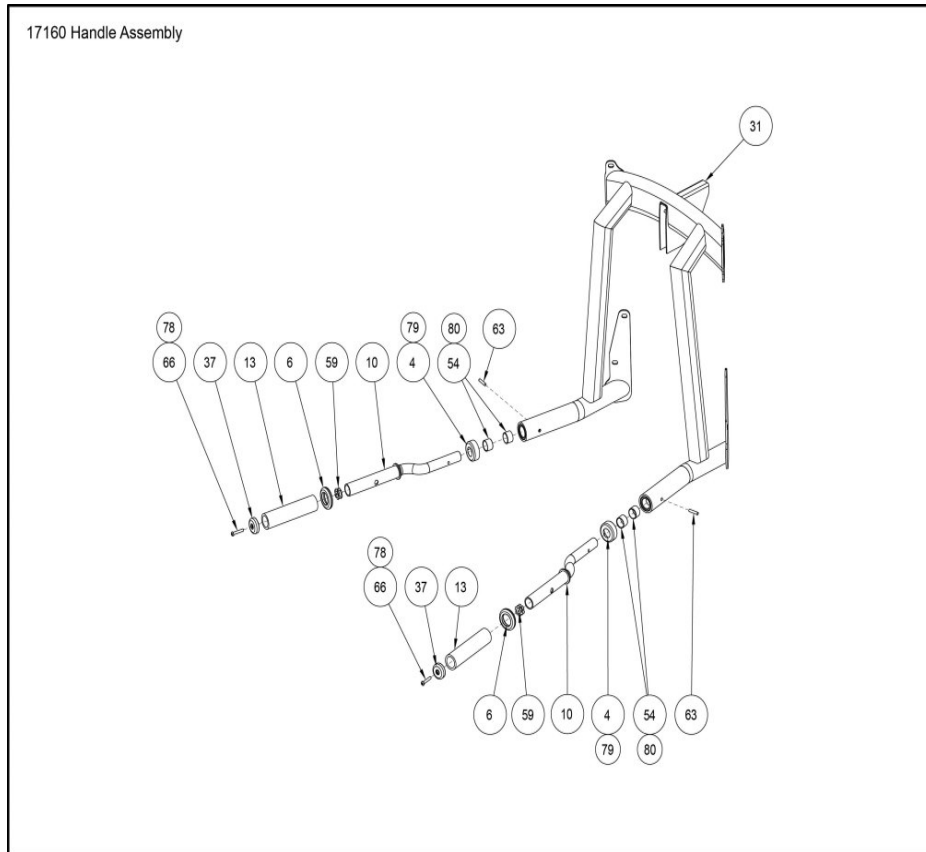
1/5/2019 3:44:48 AM



Table of Contents

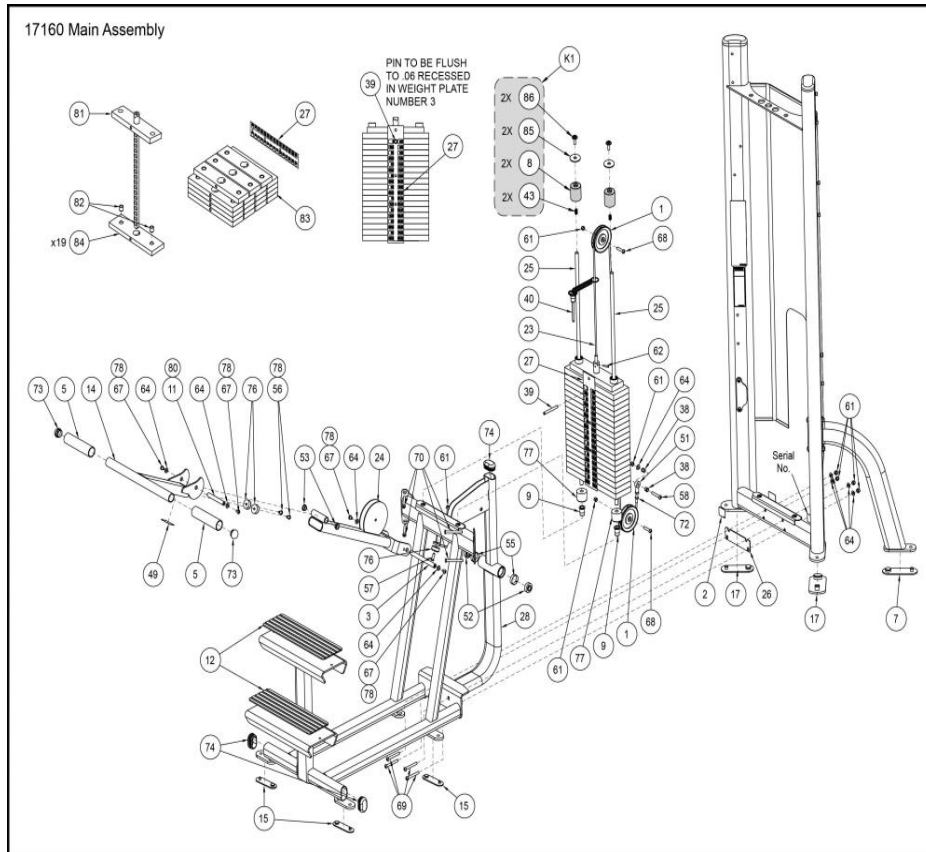
17160 Handle Assembly	3
17160 Main Assembly	4
17160 Tower Detail	6

17160 Handle Assembly



Ref #	Part Number	Qty	Description
4	11100-360	2	END CAP
6	12000-369	2	RING HANDLE GRIP
10	12230-207	2	W HANDLE Custom
13	12230-353	2	GRIP 7.00
31	17160-200	1	W TOP PULLEY MOUNT Custom
37	610A-350	2	END CAP
54	FB130214	4	BRG SLV 1.00 X 1.12 .75 LG
59	HF449064	2	INSERT 1.12 X .250-20 UNC
63	HP306820	2	PIN .25 X 1.25
66	JC620422	2	BHSCS .250-20 X 1.50
79	YA000209	2	NLA: ADH BNDG CYANDACRYLATE GEL 45440

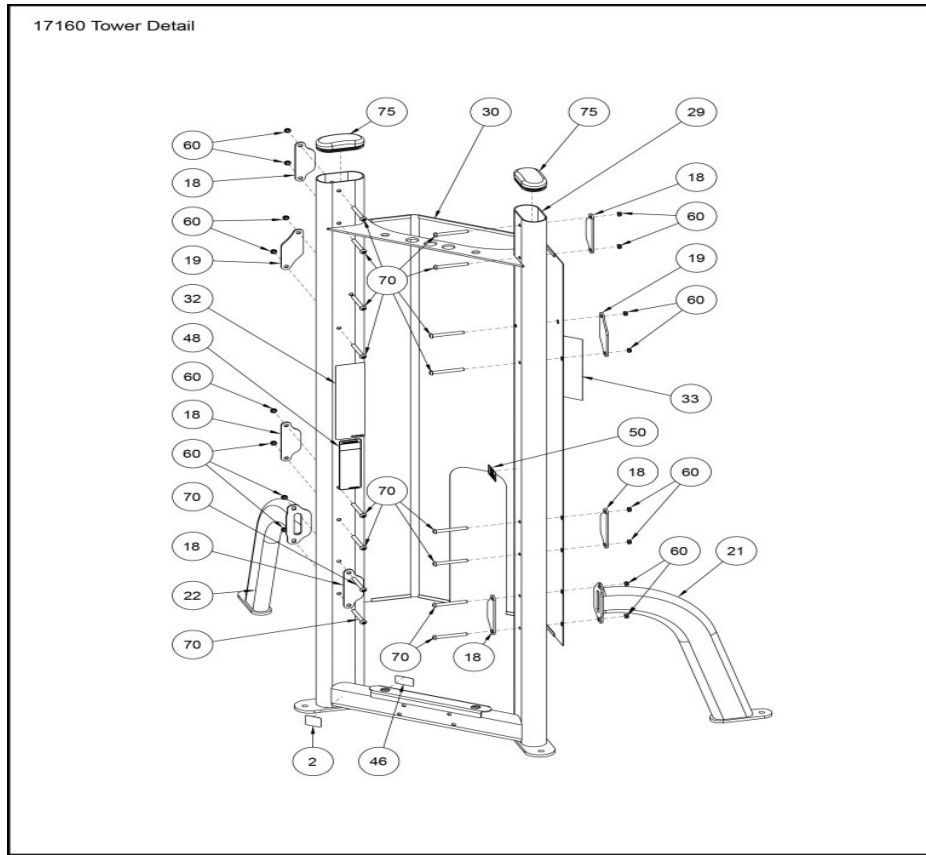
17160 Main Assembly



Ref #	Part Number	Qty	Description
1	08014	2	PULLEY ASSEMBLY-4.50
K1	17001K001	1	GUIDE ROD SPACER KIT 2
2	11040-790	1	NLA: DECAL, MADE IN THE USA
3	11090-370	1	SHAFT PIVOT
5	11190-350	2	Grip 7.00
7	12090-322	1	PAD FOOT
8	17000-355	2	SPACER
9	12210-348	2	CAP GUIDE ROD
11	12230-335	2	PIN PIVOT
12	12230-337	2	NON-SLIP
14	12231-206	1	W Foot Bar Custom
15	13000-353	3	Foot Pad
17	17000-320	2	Foot Pad
23	17140-002	1	CABLE S/A
24	17140-201	1	W INPUT BAR Custom
25	17140-326	2	WT ROD .625 DIA X 42.60
26	17140-329	1	PLATED SPACER
27	17140-350	3	DECAL, WT PLATE (7-117.5)
28	17141-200	1	W FRAME Custom
38	8630-340	2	SPACER
39	8640-330	2	SPRING PIN 10MM X 90MM BLACK
40	BH030207	1	PIN WEIGHT SELECTOR

Ref #	Part Number	Qty	Description
43	BS070208	2	COMP SPRING .396 ID X .480 OD X 1.50 LG
49	DE000004	1	Decal Caution Custom
51	FB030213	1	BRG ROD END FEMALE .375-24
52	FB030232	1	BRG RADIAL 17MM ID EXT RACE
53	FB130205	2	BRG FLG .62 X .75 .38 LG
55	FC030006	2	TOLERANCE RING 1.575 ID
56	HC700414	2	BHSCS .375-16 X .62
57	HC700417	1	BHSCS .375-16 X 1.00
58	HC700428	1	BHSCS .375-16 X 2.25
61	HN704901	6	LOCKNUT .375-16 NYLON
62	HP286819	1	SPIRAL PIN .188 X 1.12
64	HS347600	9	WASHER SAE .375
67	JC700412	4	BHSCS .375-16 X .50
68	JC700424	2	BHSCS .375-16 X 1.75
69	JC700434	4	BHSCS .375-16 X 3.00
70	JC700436	4	BHSCS .375-16 X 3.25
72	JN714400	1	JAM NUT .375-24
73	08001	2	PLUG 1.50
74	PP130003	3	INSERT PLASTIC
76	PR060003	3	BUMPER RECESS
77	PR060005	2	BUMPER WEIGHT
81	17140-009	1	TOP WEIGHT ASSEMBLY 20, 3 X 12
82	FB130216	2	Bushing Weight Stack
83	17140-005	1	WEIGHT STACK ASSY 295 LBS
84	4700-338	19	C Stack Weight 15 lbs exact
85	HS307602	2	WASHER FLAT .281 ID X 1.000 OD X .063 THK
86	HT102214	2	SCREW,10-24,HXHD WSHR PHIL,TYP 23

17160 Tower Detail



Ref #	Part Number	Qty	Description
2	11040-790	1	NLA: DECAL, MADE IN THE USA
18	17000-330	5	PLATE Custom
19	17000-331	2	PLATE Custom
21	17010-201	1	W SUPPORT Custom
22	17010-202	1	W SUPPORT Custom
29	17150-200	2	W FRAME Custom
30	17150-300	1	GUARD, FORMED Custom
32	17160-598	1	PLACARD, ASSISTED DIP
33	3900-442	1	DECAL CYBEX VER SILVER
33	3900-441	1	DECAL CYBEX VER BLACK
46	CM000265	1	DECAL, CAPACITY
48	DE000001	1	Decal Warning Custom
50	DE000005	1	Decal Caution Custom
60	HN704003	16	LOCKNUT, .375-16 NYLON PATCH
70	JC700436	15	BHSCS .375-16 X 3.25
75	PP130008	2	INSERT, DOMED PLASTIC

