

Eagle Nx Leg Extension Start Rld Sbm V01

20051-01

Parts Manual

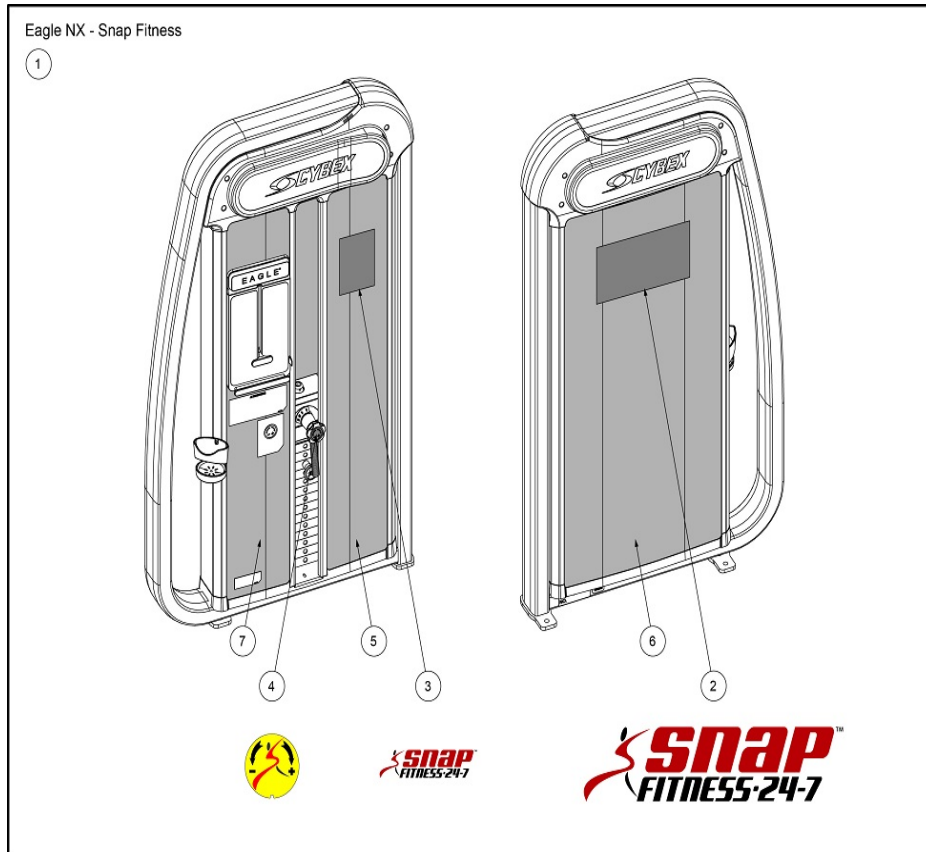
1/5/2019 4:07:42 AM



Table of Contents

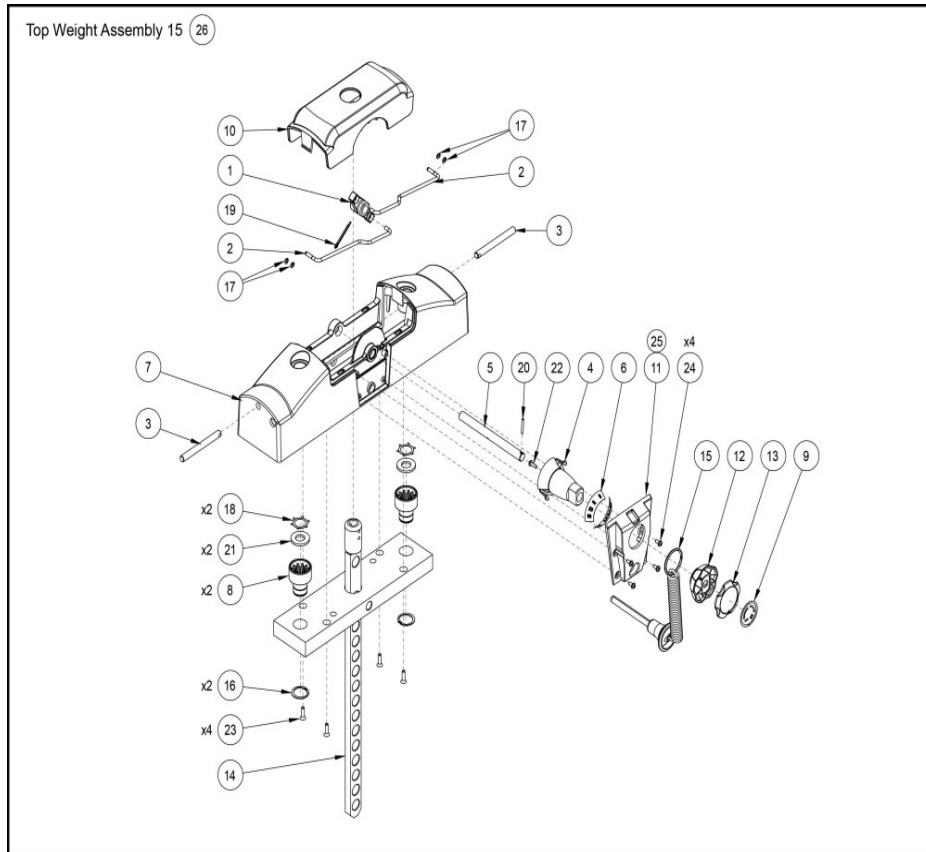
Eagle NX Snap Fitness.....	3
TOP WEIGHT ASSEMBLY 15.....	4
2005X BACK CUSHION MOUNT ASSY.....	6
2005X CABLE ROUTING.....	7
2005X FRAME ASSEMBLY.....	8
2005X RLD ASSEMBLY DETAIL.....	9
2005X SEAT ASSEMBLY.....	11
2005X WEIGHT STACK DETAIL.....	13
20050, 20051 HANDLE ASSEMBLY.....	14
20050, 20051 Top Pulley Assembly Before K0131.....	15
20050 20051 Panel Assembly Before K0131.....	16
20050 20051 Weight Frame Detail Before K0131.....	18
20051, 20055 LEG ASSEMBLY.....	20

Eagle NX Snap Fitness



Ref #	Part Number	Qty	Description
1	20050-025OS	1	SNAP, PANEL INSERT ASSEMBLY
2	21000-409	1	DECAL, SNAP FITNESS 14.00
3	21000-408	1	DECAL, SNAP FITNESS 6.00
4	12000-424	1	Decal Snap Fitness Rotation
5	20000-417ON	1	FRONT PANEL
6	20000-418ON	1	BACK PANEL
7	20000-424ON	1	FRONT PANEL, CLEAR TEXTURED (MEDIA CENTER)

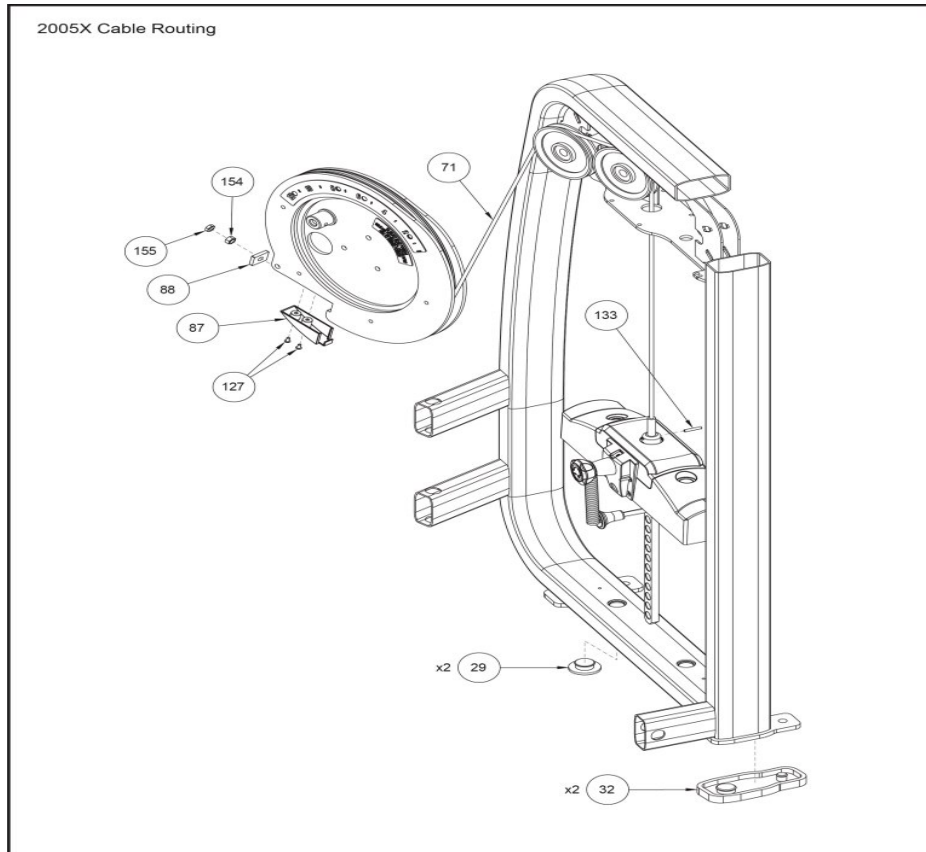
TOP WEIGHT ASSEMBLY 15



Ref #	Part Number	Qty	Description
1	11040-367	1	HUB MOLDED
2	11040-369	2	ROD LINKAGE
3	11040-370	2	PIN
4	11040-426	1	STEM
5	11040-427	1	ROD
6	11040-428	1	DECAL ADJUSTMENT
7	11050-366	1	TOP WT ASSY, MOLDED
8	13000-364	2	BEARING FLNG .62 ID X .92 OD X 1.75 LG
9	20000-429	1	ROTATION DECAL
10	20000-474	1	COVER, TOP WEIGHT
11	20000-475	1	COVER PLATE
12	20000-476	1	KNOB, BASE
13	20000-477	1	KNOB
14	4700-271	2	C/ LIFTING POST 15
15	BH030207	1	PIN WEIGHT SELECTOR
16	BR030206	2	RETAINING RING
17	BR030209	2	RETAINING RING .188
18	BR030220	2	RETAINING RING 1.250 INTERNAL
19	HP016820	1	COTTER PIN .125 X 1.25
20	HP266765	1	ROLL PIN .125 X .938
21	HS720004	2	WASHER FELT .641 ID X 1.250 OD X .125 T
22	HT552512	1	TAP SC NO. 8-16 X .50 PLASTITE PAN HEAD PHILLIPS

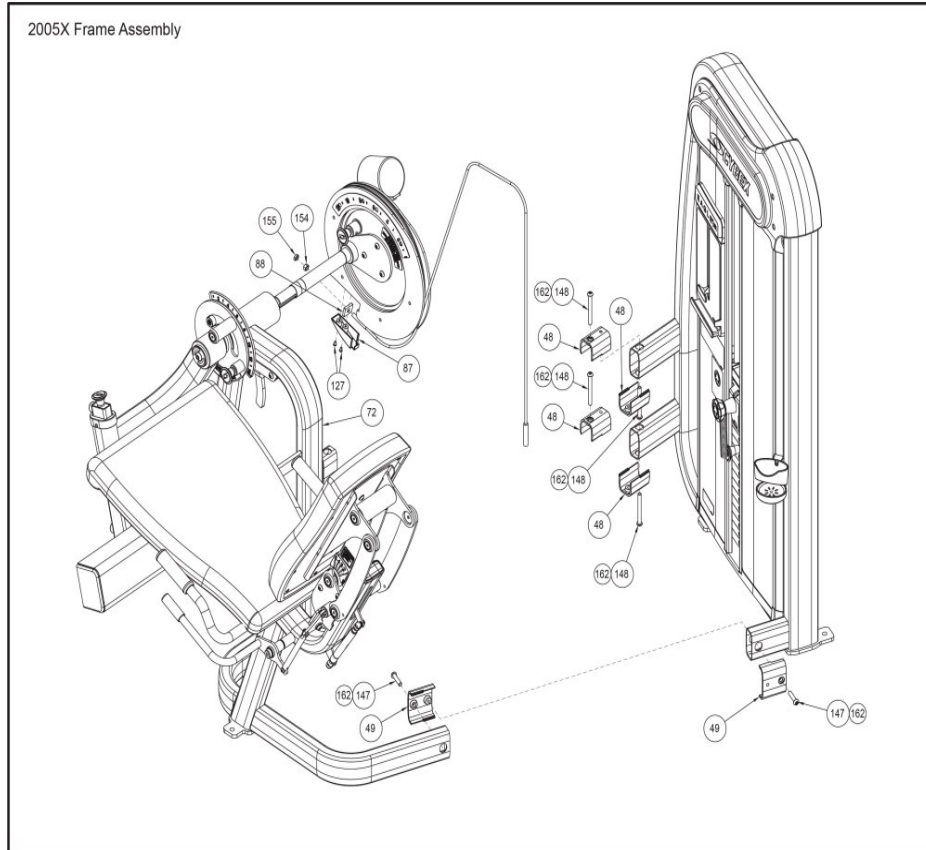
Ref #	Part Number	Qty	Description
			BLACK
23	HT562715	4	TAP SC NO 10 X .750 F PHIL
24	HT582510	4	TAP SC NO 10 X .375 PN HD PHIL
26	20000-007	1	TOP WEIGHT ASSY 15

2005X CABLE ROUTING



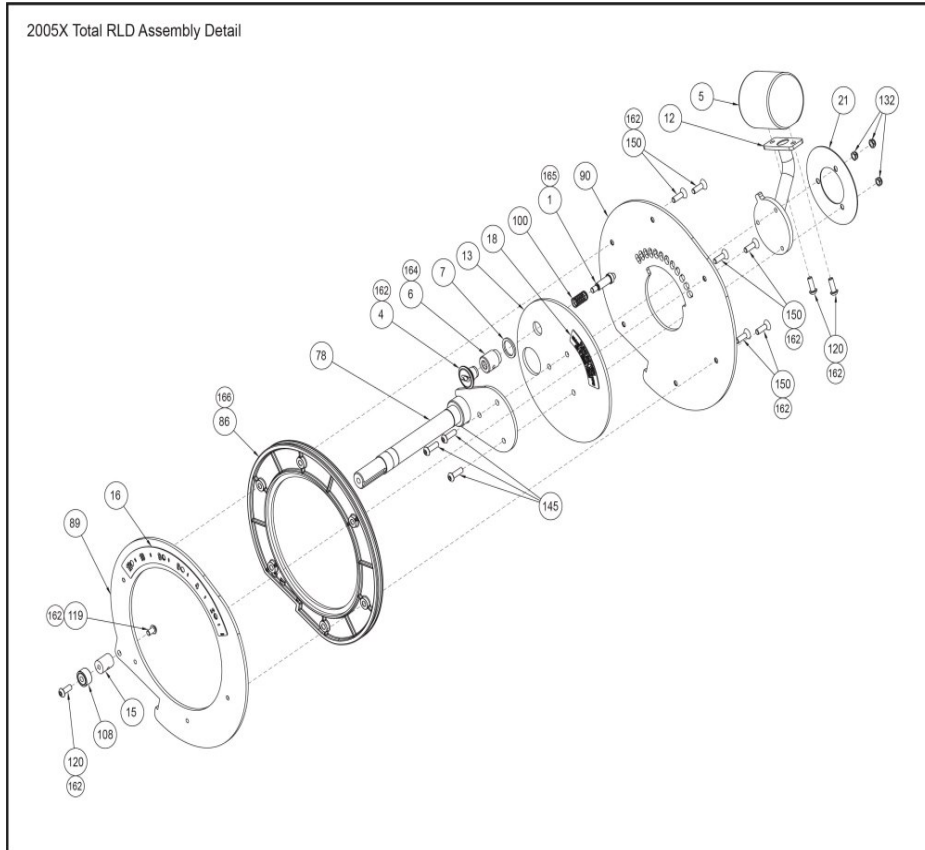
Ref #	Part Number	Qty	Description
29	20000-339	2	FOOT PAD
32	20000-376	2	FOOT PAD
71	20050-002	1	CABLE ASSEMBLY
87	20050-346	1	MOLDED COVER
88	20050-352	1	CABLE TAB
127	HM580410	2	BHSCS .190-10-32 X .375
133	HP286819	1	SPIRAL PIN .188 X 1.12
154	JN714200	1	HEX NUT .375-24
155	JN714400	1	JAM NUT .375-24

2005X FRAME ASSEMBLY



Ref #	Part Number	Qty	Description
48	20000-468	4	CAST CONNECTOR
49	20000-469	2	CAST CONNECTOR
72	20050-200	1	W MAIN FRAME Custom
87	20050-346	1	MOLDED COVER
88	20050-352	1	CABLE TAB
127	HM580410	1	BHSCS .190-10-32 X .375
147	JC700424	1	BHSCS .375-16 X 1.75
148	JC700438	4	BHSCS .375-16 X 3.50
154	JN714200	1	HEX NUT .375-24
155	JN714400	1	JAM NUT .375-24

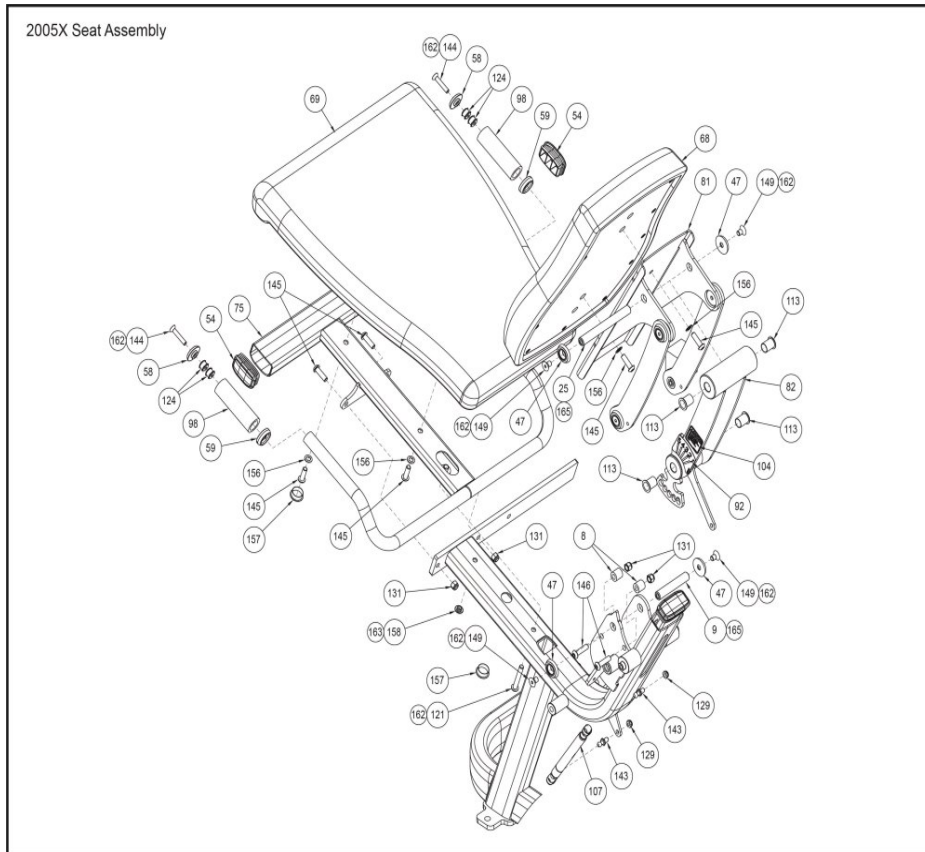
2005X RLD ASSEMBLY DETAIL



Ref #	Part Number	Qty	Description
1	08229	1	P PIN DETENT
4	11040-440	1	KNOB
5	11050-400	1	COUNTERWEIGHT 3.87
6	11050-407	1	RETAINER
7	11050-408	1	SPACER
12	12050-209	1	W COUNTERWEIGHT MOUNT Custom
13	12050-342	1	PLATE ECCENTRIC
15	12050-345	1	MOUNT CAM FOLLOWER
16	12050-354	1	DECAL ADJUSTMENT
18	12050-377	1	DECAL START RLD Custom
21	12102-339	1	STOP GUARD
78	20050-211	1	W PIVOT SHAFT
86	20050-345	1	MOLDED CAM
89	20050-353	1	CAM PLATE, INSIDE
90	20050-354	1	CAM PLATE, OUTSIDE
100	BS070201	1	COM SPRING .56 ID X .66 OD X 1.50 LG
108	FB030239	1	CAM FOLLOWER 10 MM
119	HC700414	1	BHSCS .375-16 X .62
120	HC700417	3	BHSCS .375-16 X 1.00
132	HN704902	3	LOCKNUT NYLON .375-16
145	JC700420	3	BHSCS .375-16 X 1.25
150	JC700920	6	FHSCS .375-16 X 1.25

Ref #	Part Number	Qty	Description
166	YL000200	1	LUBRICANT TEFLON 3 OZ TUBE

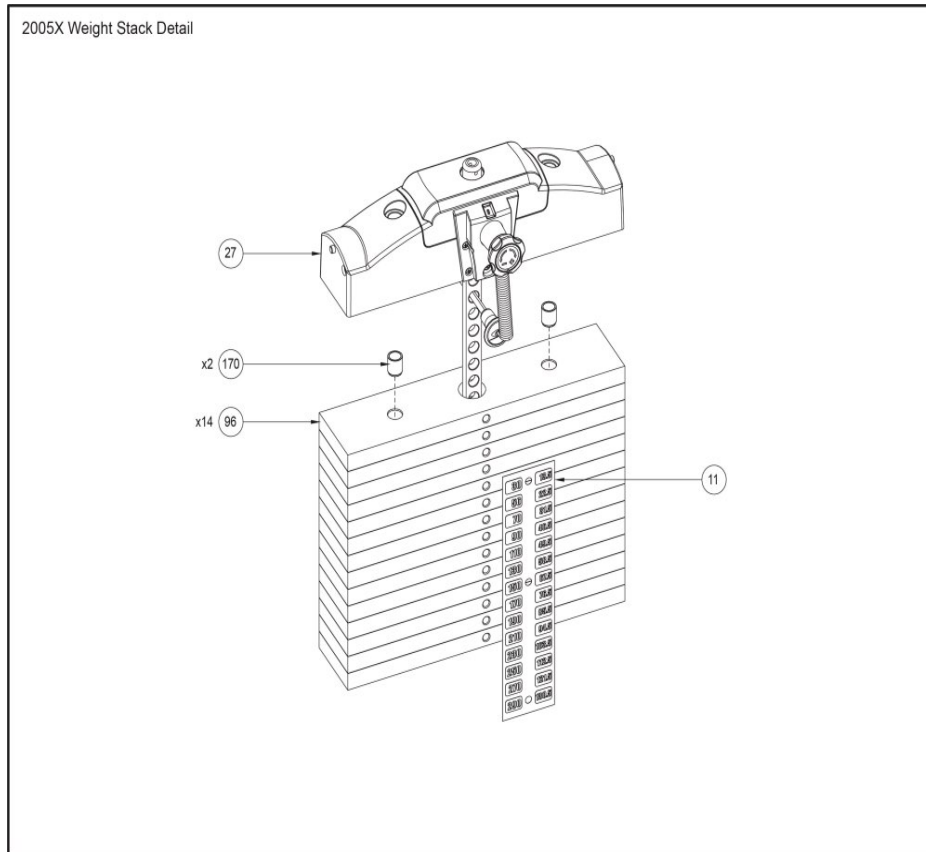
2005X SEAT ASSEMBLY



Ref #	Part Number	Qty	Description
8	11050-409	1	SPACER PLASTIC
9	11080-337	1	SHAFT PIVOT
25	13240-350	1	Shaft Pivot
47	20000-458	4	TRIM RING
54	20000-492	2	END CAP
58	20000-525	2	TRIM RING
59	20000-526	2	TRIM RING
68	20000-600	1	CUSHION ASSEMBLY BACK 22 INCH Custom CUSHION ASSEMBLY SEAT 20.12 X 26.38 MOLDED Custom
69	20000-620	1	Custom
75	20050-206	1	W SEAT MOUNT Custom
81	20050-215	1	W SEAT BACK Custom
82	20050-216	1	W SEAT LINK Custom
92	20050-376	1	POSITION DECAL
98	4605-514	1	GRAB GRIP 4.50
104	DE000022	1	Decal Caution Custom
107	EZ000011	1	GAS SPRING 150N
113	FB130207	4	BRG FLG 17MM X 19MM X 25MM
121	HC700430	1	BHSCS .375-16 X 2.50
124	HF449066	2	INSERT 3/4 X 5/16-18 UNC
129	HN-60065	2	NUT SELF-LOCKING 5-16-18 B-ZN
131	HN704901	3	LOCKNUT .375-16 NYLON

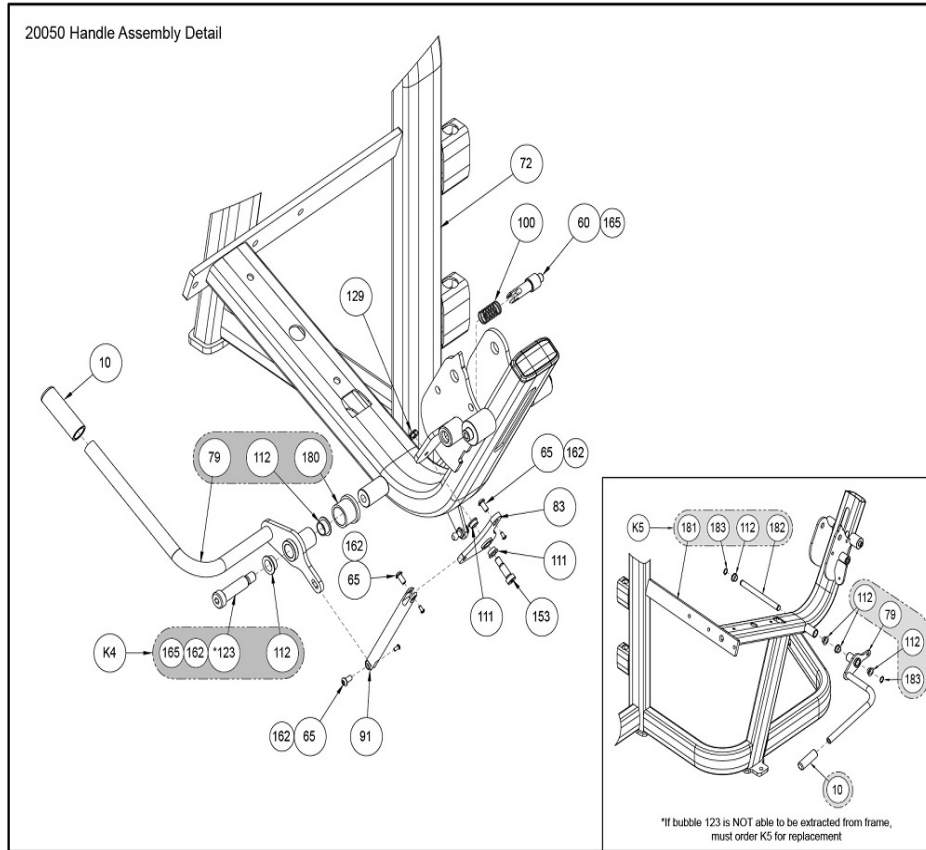
Ref #	Part Number	Qty	Description
143	HX-60184	2	BALL,STUD,5/16 -18X10MM
144	JC661000	2	FHSCS .312-18 X 1.75 LONG
145	JC700420	7	BHSCS .375-16 X 1.25
146	JC700422	2	BHSCS .375-16 X 1.50
149	JC700914	3	FHSCS .375-16 X .62
156	JS347400	3	LOCKWASHER INT TOOTH .375
157	PN660200	2	INSERT PLASTIC 1.00 DIA-11 GA
158	PP660006	1	PLUG SNAP IN

2005X WEIGHT STACK DETAIL



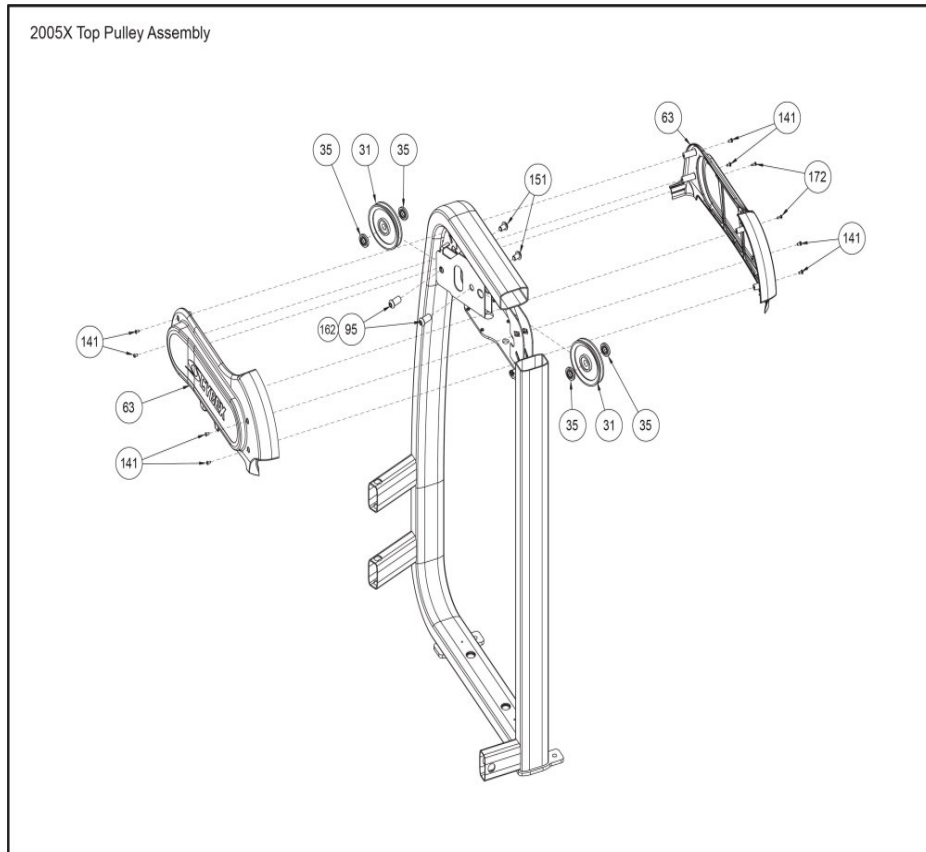
Ref #	Part Number	Qty	Description
11	12000-560	1	DECAL WT PLATE (30-290)
27	20000-007	1	TOP WEIGHT ASSY 15
96	4000C101	14	C STACK WT 4X18
170	FB130216	2	Bushing Weight Stack

20050, 20051 HANDLE ASSEMBLY



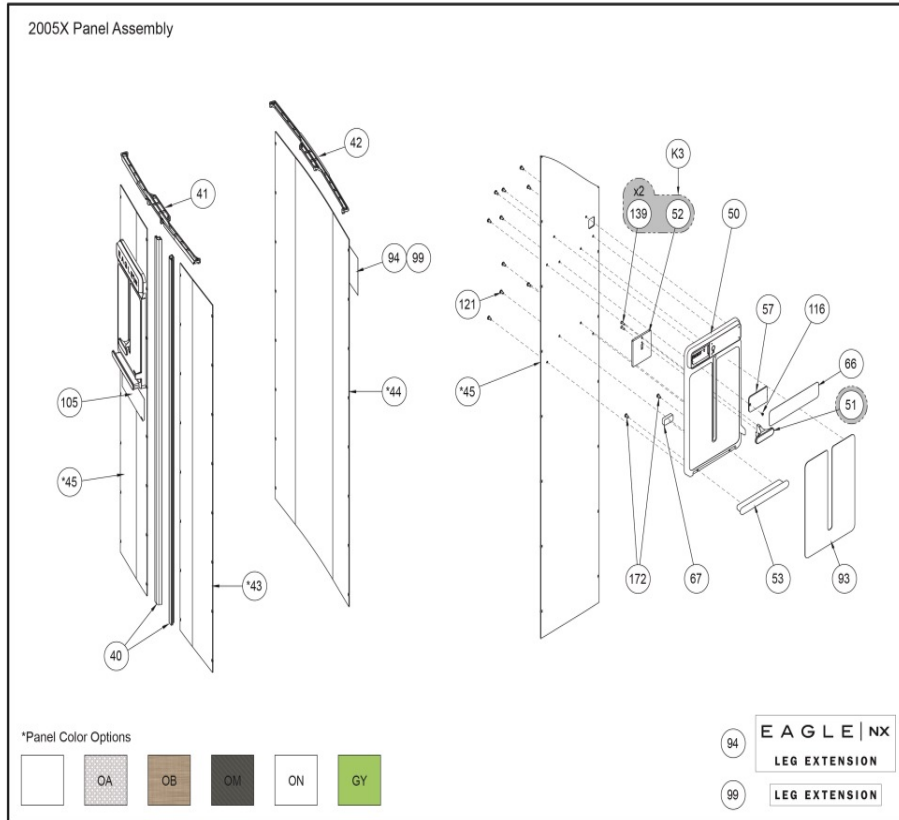
Ref #	Part Number	Qty	Description
K4	1006949-0000	1	KIT, SEAT ADJUST HANDLE
K5	1006970-0001	1	BRACKET, PSSLC SEL PLATE
10	11090-385	1	GRIP
60	20000-527	1	PLATED DETENT PIN
65	20000-555	2	.250 X .500 SOCKET DRIVE BINDING POST
72	20050-200	1	W MAIN FRAME Custom
79	20050-212	1	W/ HANDLE Custom
83	20050-217	1	W/ PIVOT
91	20050-372	1	LINKAGE ROD
100	BS070201	1	COM SPRING .56 ID X .66 OD X 1.50 LG
111	FB050211	2	BRG FLG .38 X .50 .25 LG
112	FB130205	2	BRG FLG .62 X .75 .38 LG
123	HD403326	1	S BOLT .625 X 2.00 .500-13
129	HN-60065	1	NUT SELF-LOCKING 5-16-18 B-ZN
153	JD343315	1	BOLT S,3-8X.75,312-18
162	YA000201	1	ADH THRD LKR REM .02 OZ 242
165	YG000002	1	NLA: Please use Lithium Grease
180	FB050226	1	BRG FLG 1.00 X 1.25 1.00 LG
181	20054-200	1	W MAIN FRAME Custom
182	20054-302	1	W MAIN FRAME Custom
183	BR030214	2	RETAINING RING .625

20050, 20051 Top Pulley Assembly Before K0131



Ref #	Part Number	Qty	Description
31	20000-375	2	PULLEY ASSY 5.00
35	20000-399	4	PULLEY SPACER
63	20000-646	1	COVER, TOP
64	20000-648	1	COVER, TOP
95	20180-400	1	PULLEY SHAFT BOLT
141	HJ582510	8	SEMS 10-32 X .38
151	JC780415	2	BHSCS .500-13 x .75
172	HT552512	2	TAP SC NO. 8-16 X .50 PLASTITE PAN HEAD PHILLIPS BLACK

20050_20051_Panel_Assembly_Before_K0131

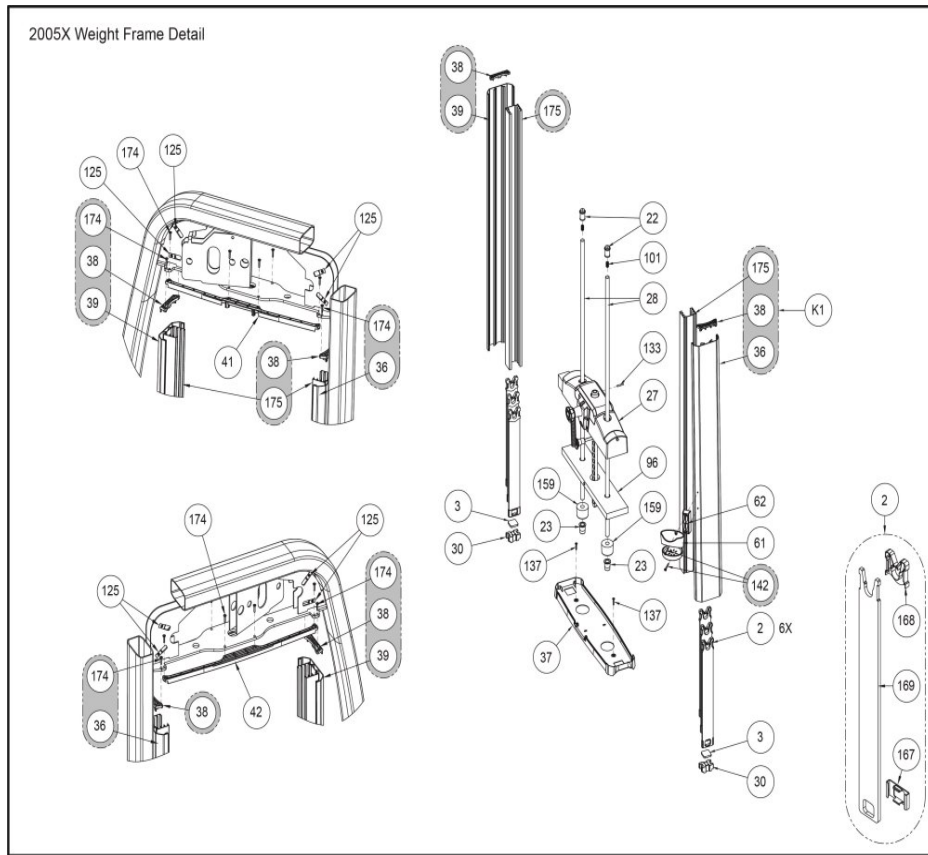


Ref #	Part Number	Qty	Description
K3	20000K007	1	KIT, CLAMP BAR REPLACEMENT
40	20000-414	2	EXTRUDED GUARD
41	20000-415	1	MOUNT, FRONT
42	20000-416	1	MOUNT, BACK
43	20000-800GY	1	FRONT PANEL, YOUFIT GREEN
43	20000-417	1	FRONT PANEL
43	20000-417OB	1	FRONT PANEL, BALI
43	20000-417OA	1	FRONT PANEL, ASPEN
43	20000-417ON	1	FRONT PANEL
43	20000-417OM	1	FRONT PANEL, MONACO
44	20000-418ON	1	BACK PANEL
44	20000-418OB	1	BACK PANEL, BALI
44	20000-418	1	BACK PANEL
44	20000-418OA	1	BACK PANEL, ASPEN
44	20000-801GY	1	BACK PANEL, YOUFIT GREEN
44	20000-418OM	1	BACK PANEL, MONACO
45	20000-424OB	1	FRONT PANEL, BALI (MEDIA CENTER)
45	20000-424OA	1	FRONT PANEL, ASPEN (MEDIA CENTER)
45	20000-424ON	1	FRONT PANEL, CLEAR TEXTURED (MEDIA CENTER)
45	20000-424OM	1	FRONT PANEL, MONACO (MEDIA CENTER)
45	20000-424	1	FRONT PANEL (MEDIA CENTER)
45	20000-802GY	1	FRONT PANEL,(MEDIA CENTER) YOUFIT GREEN

Ref #	Part Number	Qty	Description
48	20000-468	1	CAST CONNECTOR
50	20000-480	1	PANEL, PLACARD
51	20000-662	1	CLAMP BAR
52	20000-483	1	WEIGHT PLATE
53	20000-484	1	BOTTOM TAB
57	20000-524	1	COVER PLATE
66	20000-556	1	MEDIA CENTER DECAL
67	20000-560	1	BUMPER
93	20050-598	1	Placard Eagle NX Leg Ext
94	20050-701	1	DECAL, LEG EXTENSION
94	20050-700	1	DECAL, LEG EXTENSION
99	20050-704	1	DECAL, LEG EXTENSION, SILVER
99	20050-703	1	DECAL, LEG EXTENSION, BLACK
105	DE000023	1	Decal Warning Custom
116	HC041008	1	SCREW, FH PHILL. #4 X .250 TYPE AB
121	HC700430	1	BHSCS .375-16 X 2.50
139	HT532712	1	FLAT HEAD PHILLIPS #6 X .500 LG TYPE AB
172	HT552512	2	TAP SC NO. 8-16 X .50 PLASTITE PAN HEAD PHILLIPS BLACK

20050_20051_Weight_Frame_Detail_Before_K013

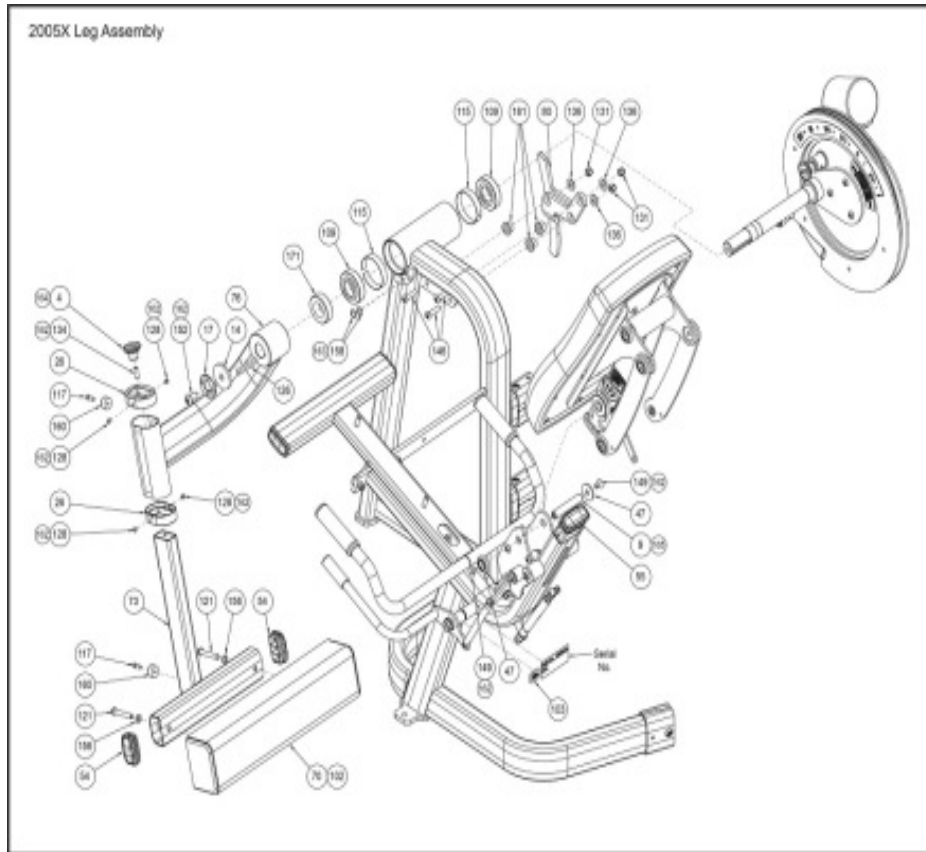
1



Ref #	Part Number	Qty	Description
K1	20000K005	1	KIT, SHORT INC WEIGHT CHANNEL REPLACEMENT (RT SIDE HOLES)
3	11040-409	2	BUMPER
22	12210-347	2	CAP GUIDE ROD
23	12210-348	2	CAP GUIDE ROD
27	20000-007	1	TOP WEIGHT ASSY 15
28	20000-324	2	WT ROD .625 DIA X 45.06
30	20000-353	2	INSERT, INCREMENT WEIGHT
36	20000-573	2	EXTRUSION, OUTER CHANNEL RH
37	20000-410	1	TRAY, BOTTOM
38	20000-570	2	MOUNT
39	20000-572	2	EXTRUSION, OUTER CHANNEL
41	20000-415	1	MOUNT, FRONT
42	20000-416	1	MOUNT, BACK
61	20000-544	1	Holder water bottle
62	20000-545	1	SPACER
96	4000C101	1	C STACK WT 4X18
101	BS070208	2	COMP SPRING .396 ID X .480 OD X 1.50 LG
125	HF579000	4	PANEL FASTENER 10-24 U TYPE
133	HP286819	1	SPIRAL PIN .188 X 1.12

Ref #	Part Number	Qty	Description
137	HT512517	2	TAP SC 10-24 X 1.00 TYPE WB PN HD PHIL BLK
142	HT572512	2	TAP SC NO. 10 - 24 X .50 PN HD PHIL
159	PR060005	2	BUMPER WEIGHT
167	11040-572	6	GUARD INCREMENT WEIGHT
168	11040-578	6	GUARD, INCREMENT WEIGHT
169,2	11040-030	12	INCREMENT WEIGHT S/A
174	HT552515	4	TAP SC NO. 8-16 X .75 PLASTITE PN HD PHIL BLK
175	20000-580	2	EXTRUSION, INC WT CHANNEL

20051, 20055 LEG ASSEMBLY



Ref #	Part Number	Qty	Description
4	11040-440	1	KNOB
9	11080-337	1	SHAFT PIVOT
14	12050-343	1	WASHER
17	12050-355	1	DECAL ROTATION
26	16060-316	1	PLASTIC GUIDE
47	20000-458	2	TRIM RING
54	20000-492	2	END CAP
55	20000-493	1	END CAP
70	20000-636	1	COVERED CUSHION SA, CONTOUR 20 Custom
73	20050-201	1	W CUSHION BAR Custom
76	20050-207	1	W INPUT
80	20050-214	1	MOUNTING BRACKET
102	20000-637	1	WEAR COVER SA 4.5 X 20 Custom
103	CM000211	1	DECAL PATENT
109	FB030249	2	BEARING RADIAL 35MM EXT RACE
115	FC030009	2	TOLERANCE RING 72MM
117	HC622815	2	SHCS .250-20 X .750
121	HC700430	2	BHSCS .375-16 X 2.50
126	HH320030	1	KEY .313 SQ X 2.50
128	HM583208	4	SCREW, 10-32X.25, TRHD PHIL
131	HN704901	3	LOCKNUT .375-16 NYLON
134	HP707017	1	STUD .375-16 X 1.00

Ref #	Part Number	Qty	Description
136	HS347700	3	WASHER USS .375
146	JC700422	3	BHSCS .375-16 X 1.50
149	JC700914	2	FHSCS .375-16 X .62
152	JC780417	1	BHSCS .500-13 X 1.00
156	JS347400	2	LOCKWASHER INT TOOTH .375
158	PP660006	2	PLUG SNAP IN
160	PR069400	2	BUMPER RECESS
161	PR740300	3	MOUNT CENTER BONDED
162	YA000201	1	ADH THRD LKR REM .02 OZ 242
163	YA000222	1	ADH BNDG CYANOACRYLATE
164	YA000226	1	LOCTITE 680 .5 ML
165	YG000002	1	NLA: Please use Lithium Grease
171	12101-300	1	SPACER
-	CM000202	1	

