

Prestige Leg Extension Start RLD

21051-10

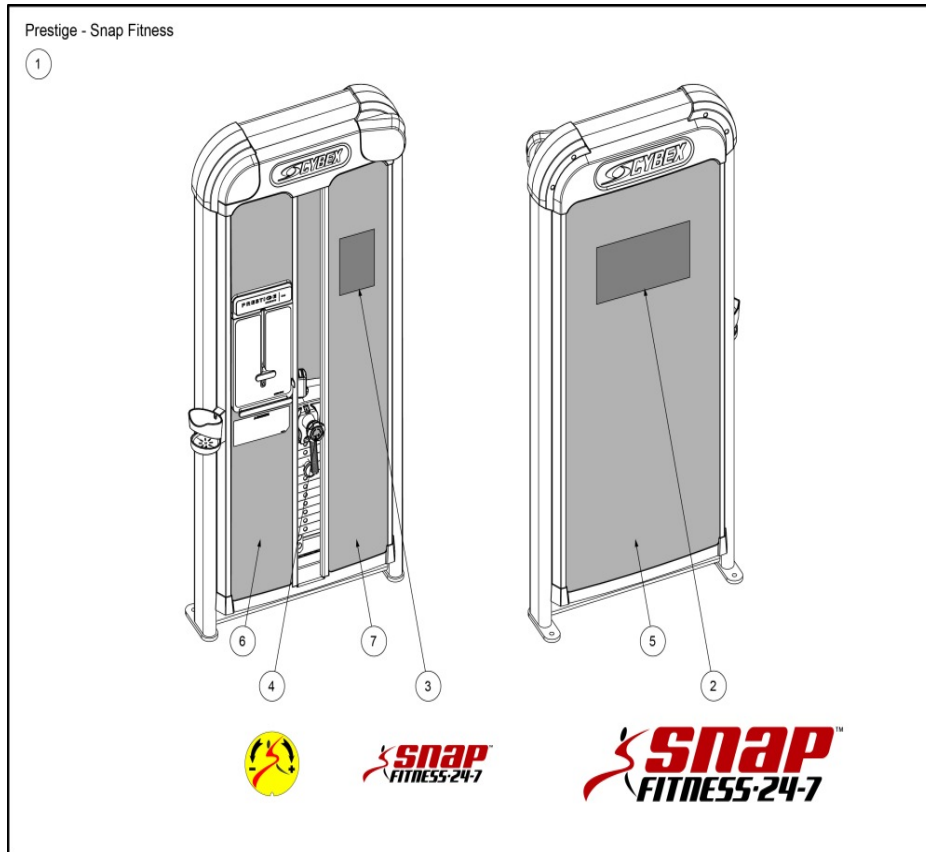
Parts Manual

1/5/2019 4:19:09 AM

Table of Contents

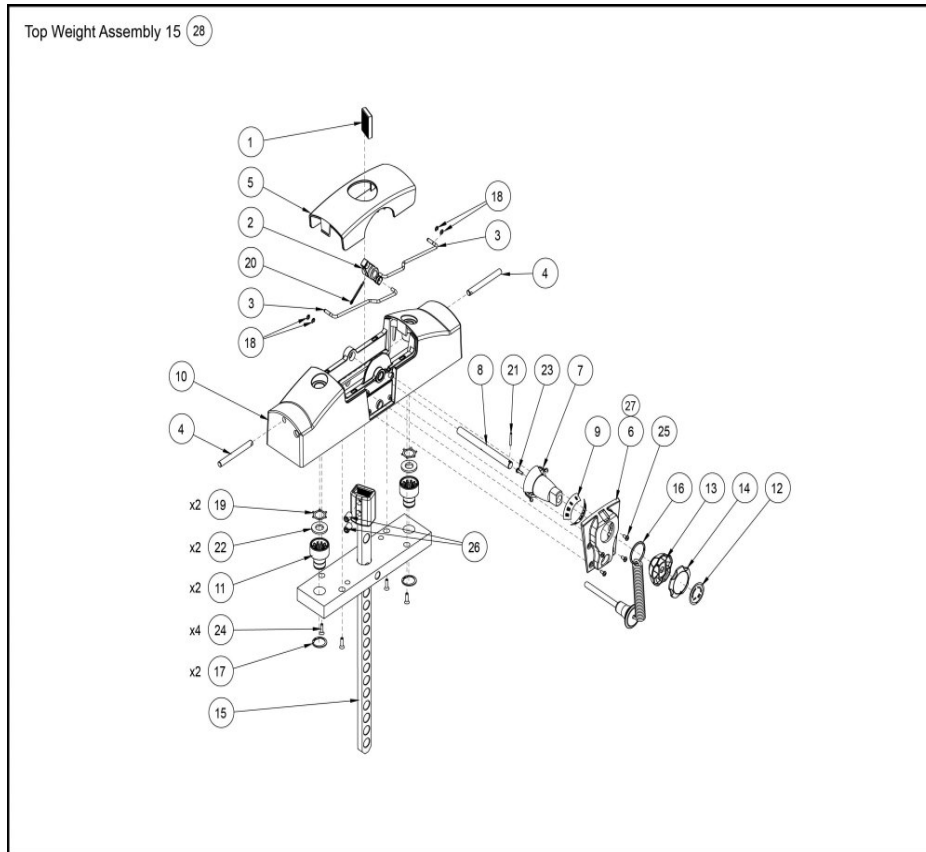
Prestige - Snap Fitness.....	3
Top Weight Assembly 15 - 21000-011.....	4
21050 Belt Routing.....	6
21050 Cam Assembly.....	7
21050 Frame Assembly.....	8
21050 Panel Assembly.....	10
21050 Seat Assembly.....	12
21050 Top Plastic Detail.....	14
21050 Weight Stack Detail.....	15
21050-51 Leg Bar Assembly.....	16
21051 Start RLD Assembly.....	17

Prestige - Snap Fitness



Ref #	Part Number	Qty	Description
1	21010-025OS	1	SNAP PANEL INSERT ASSEMBLY
2	21000-409	1	DECAL, SNAP FITNESS 14.00
3	21000-408	1	DECAL, SNAP FITNESS 6.00
4	12000-424	1	Decal Snap Fitness Rotation
5	21000-440ON	1	BACK PANEL
6	21000-441ON	1	FRONT PANEL (MEDIA CENTER)
7	21000-442ON	1	FRONT PANEL

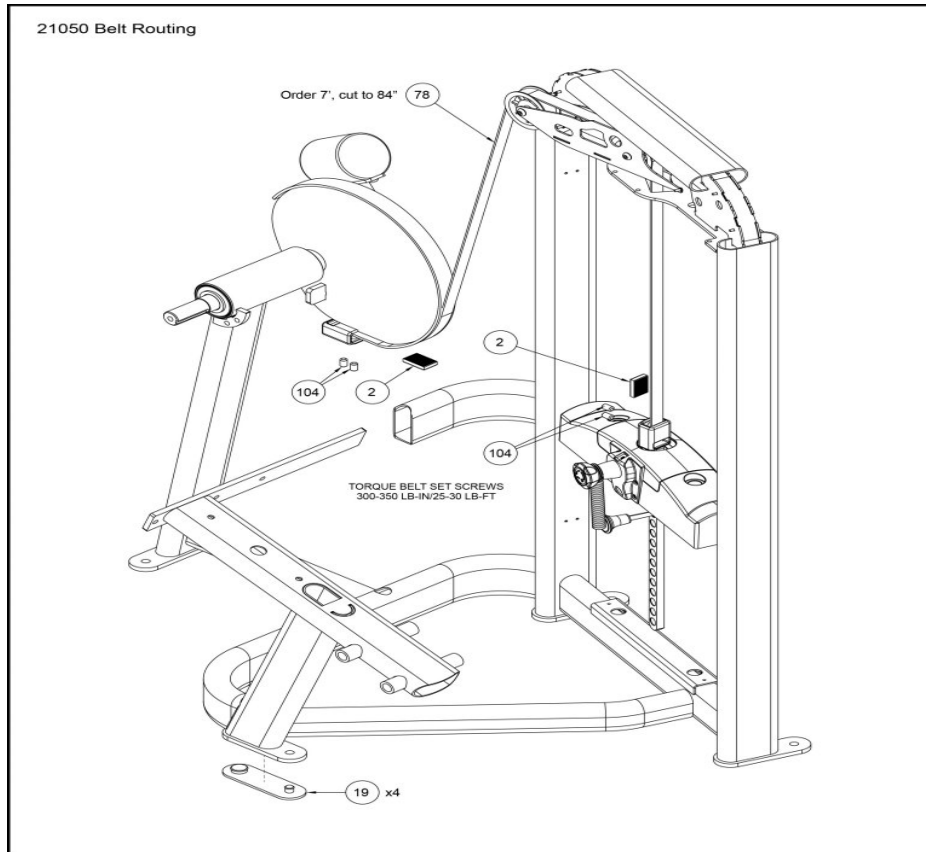
Top Weight Assembly 15 - 21000-011



Ref #	Part Number	Qty	Description
1	11040-301	1	INSERT CLAMP BLOCK
2	11040-367	1	HUB MOLDED
3	11040-369	2	ROD LINKAGE
4	11040-370	2	PIN
5	11040-416	1	COVER TOP WEIGHT
6	11040-424	1	COVER PLATE
7	11040-426	1	STEM
8	11040-427	1	ROD
9	11040-428	1	DECAL ADJUSTMENT
10	11050-366	1	TOP WT ASSY, MOLDED
11	13000-364	2	BEARING FLNG .62 ID X .92 OD X 1.75 LG
12	20000-429	1	ROTATION DECAL
13	20000-476	1	KNOB, BASE
14	20000-477	1	KNOB
15	21000-231	1	C LIFTING POST 15
16	BH030207	1	PIN WEIGHT SELECTOR
17	BR030206	2	RETAINING RING
18	BR030209	4	RETAINING RING .188
19	BR030220	2	RETAINING RING 1.250 INTERNAL
20	HP016820	1	COTTER PIN .125 X 1.25
21	HP266765	1	ROLL PIN .125 X .938
22	HS720004	2	WASHER FELT .641 ID X 1.250 OD X .125 T

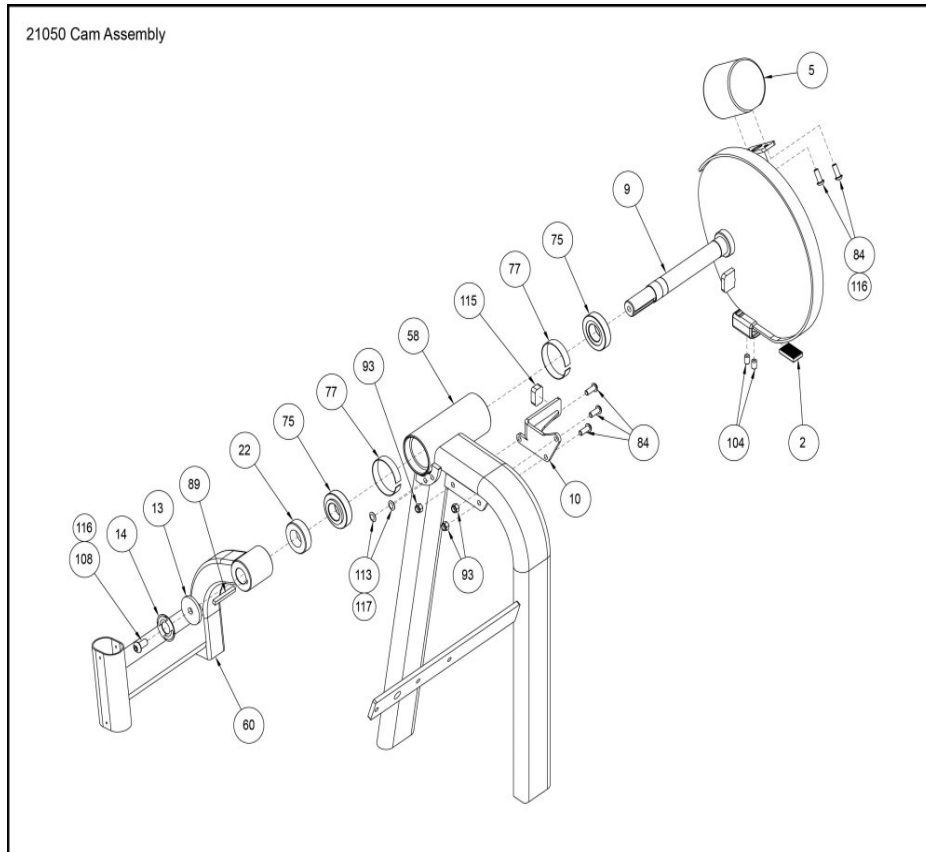
Ref #	Part Number	Qty	Description
23	HT552512	1	TAP SC NO. 8-16 X .50 PLASTITE PAN HEAD PHILLIPS BLACK
24	HT562715	4	TAP SC NO 10 X .750 F PHIL
25	HT582510	4	TAP SC NO 10 X .375 PN HD PHIL
26	HY740000	2	SET SCREW
28	21000-011	1	TOP WEIGHT ASSY 15

21050 Belt Routing



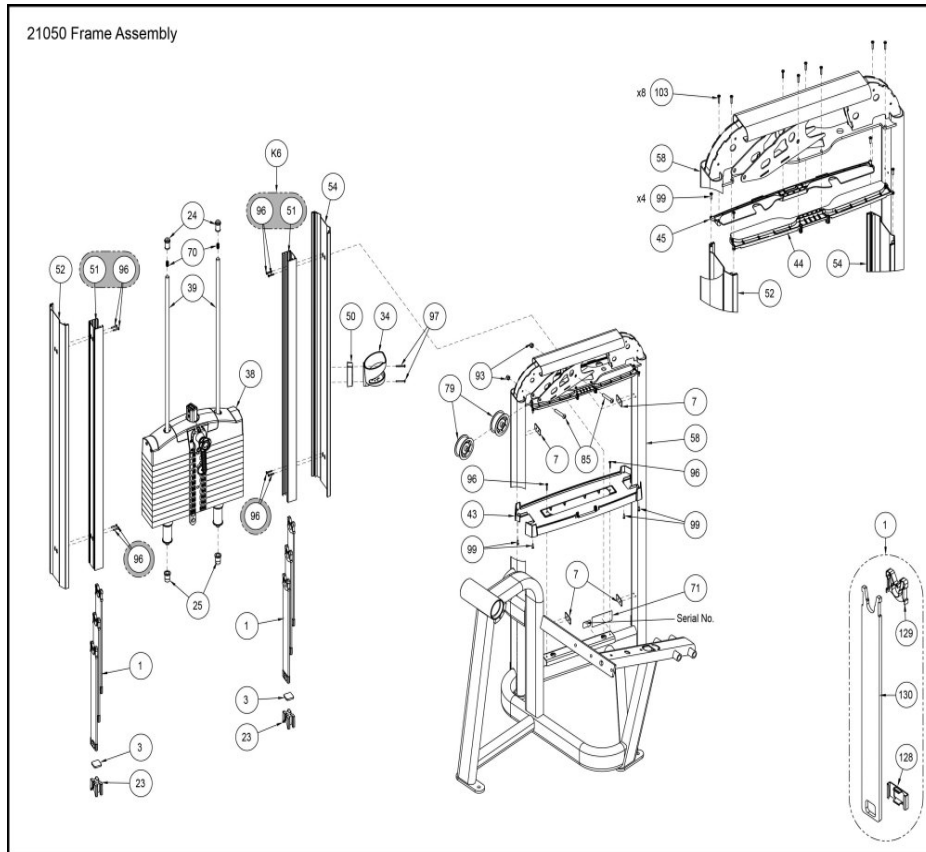
Ref #	Part Number	Qty	Description
2	11040-301	2	INSERT CLAMP BLOCK
19	12090-322	4	PAD FOOT
78	GB000202	7	BELT .95 WIDE
104	HY740000	4	SET SCREW

21050 Cam Assembly



Ref #	Part Number	Qty	Description
2	11040-301	1	INSERT CLAMP BLOCK
5	11050-400	1	COUNTERWEIGHT 3.87
9	12050-210	1	W CAM Custom
10	12050-211	1	W STOP BRACKET Custom
13	12050-343	1	WASHER
14	12050-355	1	DECAL ROTATION
22	12101-300	1	SPACER
58	21050-200	1	W MAIN FRAME Custom
60	21050-216	1	W INPUT ARM Custom
75	FB030249	2	BEARING RADIAL 35MM EXT RACE
77	FC030009	2	TOLERANCE RING 72MM
84	HC700417	5	BHSCS .375-16 X 1.00
89	HH320030	1	KEY .313 SQ X 2.50
93	HN704901	3	LOCKNUT .375-16 NYLON
104	HY740000	1	SET SCREW
108	JC780417	1	BHSCS .500-13 X 1.00
113	PP660006	2	PLUG SNAP IN
115	PU060201	1	BUMPER
116	YA000201	1	ADH THRD LKR REM .02 OZ 242
117	YA000222	1	ADH BNDG CYANOACRYLATE

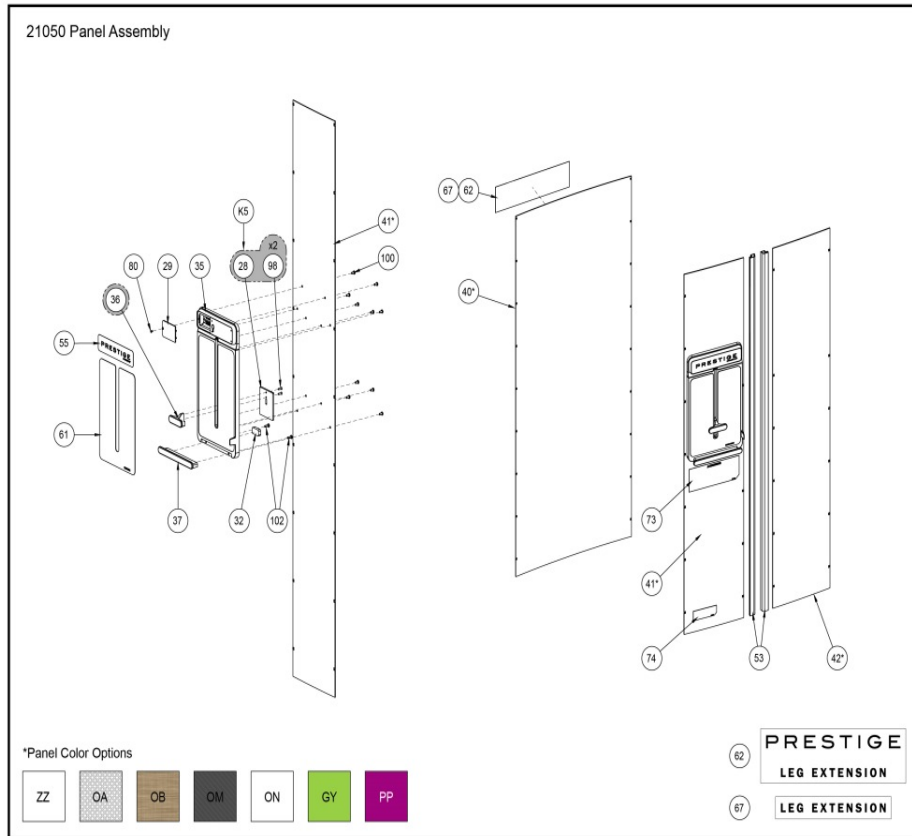
21050 Frame Assembly



Ref #	Part Number	Qty	Description
1,130	11040-030	12	INCREMENT WEIGHT S/A
3	11040-409	2	BUMPER
K6	21000K002	6	KIT, SHORT INC WT CHANNEL REPLACEMENT (PRESTIGE)
7	12000-398	2	SPACER
23	12102-330	2	INSERT INCREMENT WEIGHT
24	12210-347	2	CAP GUIDE ROD
25	12210-348	2	CAP GUIDE ROD
34	20000-650	1	HOLDER, WATER BOTTLE
38	21000-011	1	TOP WEIGHT ASSY 15
39	21000-350	2	WT ROD .625 X 48.22
43	21000-450	1	BOTTOM TRAY
44	21000-451	1	MOUNT, FRONT
45	21000-452	1	MOUNT, BACK
50	21000-465	1	SPACER
51	21000-580	2	EXTRUSION, INC WT CHANNEL
52	21000-471	1	EXTRUSION, OUTER CHANNEL
54	21000-473	1	EXTRUSION, OUTER CHANNEL (RH HOLES)
58	21050-200	1	W MAIN FRAME Custom
70	BS070208	2	COMP SPRING .396 ID X .480 OD X 1.50 LG
71	4800-093	1	WEAR COVER SA 4.5 X 20 Custom
79	GP000209	2	PULLEY ASSEMBLY-3.50

Ref #	Part Number	Qty	Description
85	HC700428	2	BHSCS .375-16 X 2.25
93	HN704901	1	LOCKNUT .375-16 NYLON
96	HT512517	12	TAP SC 10-24 X 1.00 TYPE WB PN HD PHIL BLK
97	HT512522	2	TAP SC 10-24 X 1.50 TYPE WB PN
99	HT542514	4	TAP SC NO 8-32 X .625 A PHIL
103	HT552515	8	TAP SC NO. 8-16 X .75 PLASTITE PN HD PHIL BLK
128	11040-572	6	GUARD INCREMENT WEIGHT
129	11040-578	6	GUARD, INCREMENT WEIGHT
-	CM000202	1	

21050 Panel Assembly

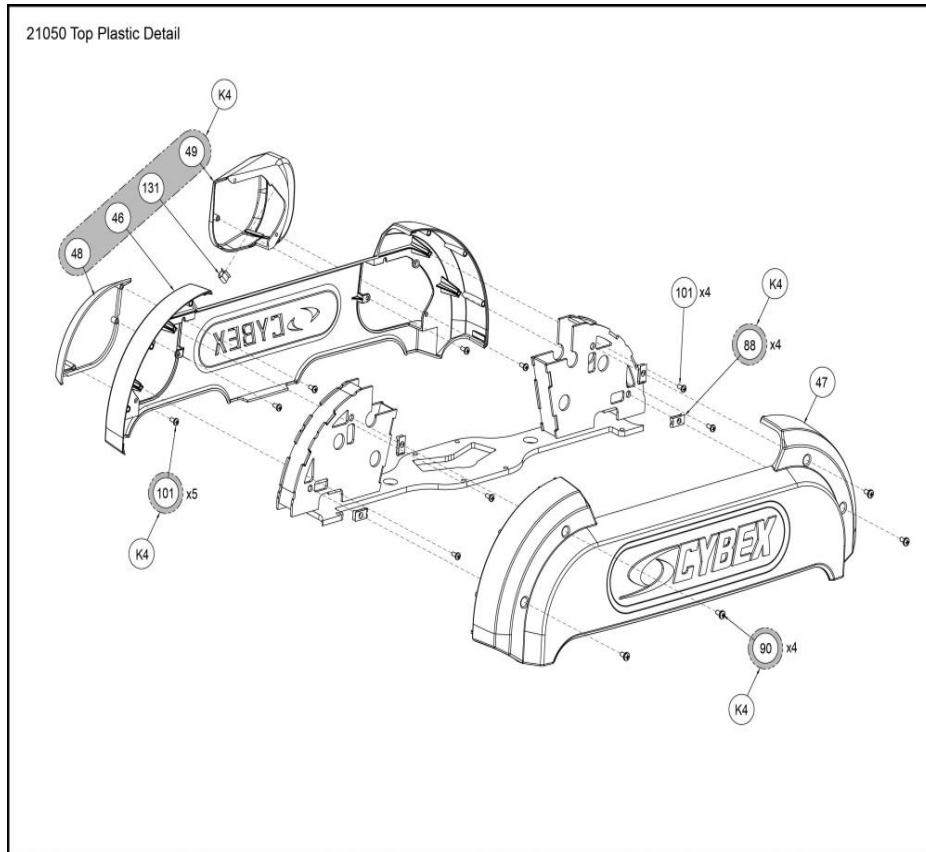


Ref #	Part Number	Qty	Description
K5	20000K007	1	KIT, CLAMP BAR REPLACEMENT
28	20000-483	2	WEIGHT PLATE
29	20000-524	1	COVER PLATE
32	20000-560	1	BUMPER
35	20000-652	1	PANEL, PLACARD
36	20000-662	1	CLAMP BAR
37	20000-655	1	BOTTOM TAB
40	21000-440OM	1	BACK PANEL MORACO
40	21000-440OA	1	BACK PANEL ASPEN
40	21000-440GY	1	BACK PANEL, YOUFIT GREEN
40	21000-440ZZ	1	BACK PANEL
40	21000-440OB	1	BACK PANEL BALI
40	21000-440ON	1	BACK PANEL
40	21000-440PP	1	BACK PANEL, PLANET FITNESS PURPLE
41	21000-441OA	1	FRONT PANEL (MEDIA CENTER) ASPEN
41	21000-441ZZ	1	FRONT PANEL (MEDIA CENTER)
41	21000-441OM	1	FRONT PANEL (MEDIA CENTER) MORACO
41	21000-441OB	1	FRONT PANEL (MEDIA CENTER) BALI
41	21000-441PP	1	FRONT PANEL, PLANET FITNESS PURPLE
41	21000-441ON	1	FRONT PANEL (MEDIA CENTER)
41	21000-441GY	1	FRONT PANEL (MEDIA CENTER), YOUFIT GREEN
42	21000-442OM	1	FRONT PANEL MORACO

Ref #	Part Number	Qty	Description
42	21000-442ON	1	FRONT PANEL
42	21000-442OB	1	FRONT PANEL BALI
42	21000-442GY	1	FRONT PANEL
42	21000-442ZZ	1	FRONT PANEL
42	21000-442OA	1	FRONT PANEL ASPEN
42	21000-442PP	1	FRONT PANEL, PLANET FITNESS PURPLE
53	21000-472	1	EXTRUDED GUARD
55	21000-556	1	MEDIA CENTER DECAL
61	21050-598	1	Placard Prestige Leg Ext Custom
62	21050-701	1	DECAL, LEG EXTENSION
62	21050-700	1	DECAL, LEG EXTENSION
67	20050-703	1	DECAL, LEG EXTENSION, BLACK
67	20050-704	1	DECAL, LEG EXTENSION, SILVER
73	DE000023	1	Decal Warning Custom
74	DE000025	1	NLA: DECAL, MADE IN U.S.A.
98	HT532712	1	FLAT HEAD PHILLIPS #6 X .500 LG TYPE AB
100	HT552509	10	TAP SC NO 8-16 X .31 PLASTITE PN HD PHIL
102	HT552512	2	TAP SC NO. 8-16 X .50 PLASTITE PAN HEAD PHILLIPS BLACK

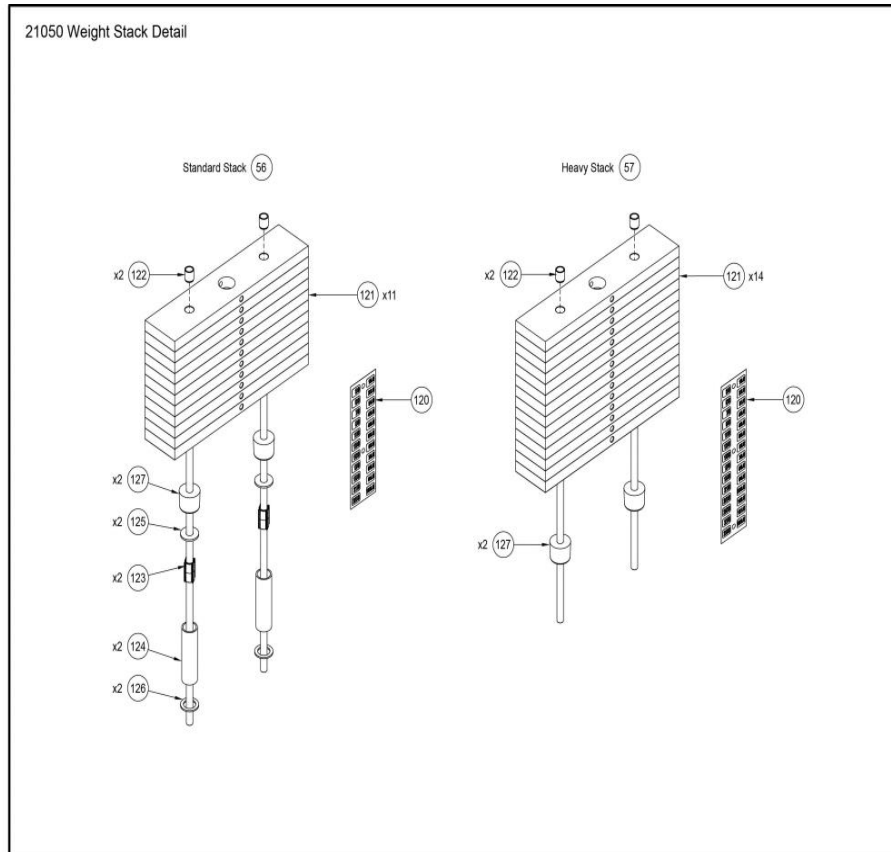
Ref #	Part Number	Qty	Description
68	8500-025	1	DECAL CAUTION Custom
69	BS070201	1	COM SPRING .56 ID X .66 OD X 1.50 LG
76	FB130205	8	BRG FLG .62 X .75 .38 LG
82	HC622820	1	SHCS .250-20 X 1.25
83	HC700415	8	BHSCS .375-16 X .75
86	HC700430	1	BHSCS .375-16 X 2.50
87	HF449066	4	INSERT 3/4 X 5/16-18 UNC
92	HN625200	1	LOCKNUT .250-20 NYLON HVY
93	HN704901	1	LOCKNUT .375-16 NYLON
95	HS347600	8	WASHER SAE .375
105	JC620422	1	BHSCS .250-20 X 1.50
106	JC661000	1	FHSCS .312-18 X 1.75 LONG
107	JC700420	6	BHSCS .375-16 X 1.25
109	JS347400	1	LOCKWASHER INT TOOTH .375
110	PN660200	2	INSERT PLASTIC 1.00 DIA-11 GA
111	PP130002	2	INSERT DOMED PLASTIC
112	PP130003	2	INSERT PLASTIC
113	PP660006	1	PLUG SNAP IN
116	YA000201	1	ADH THRD LKR REM .02 OZ 242
117	YA000222	1	ADH BNDG CYANOACRYLATE

21050 Top Plastic Detail



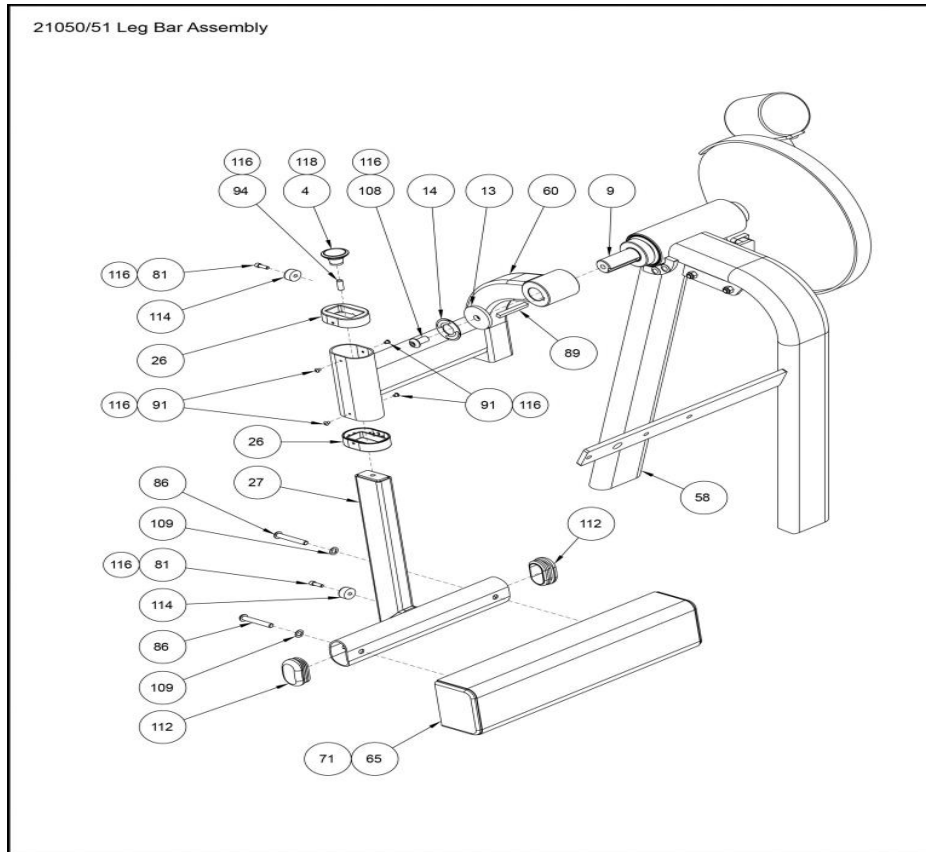
Ref #	Part Number	Qty	Description
K4	21000K041	1	KIT, PRESTIGE TOP CAP (LH EXIT)
46	21000-454	1	TOP CAP, FRONT
47	21000-455	1	TOP CAP, REAR
48	21000-460	1	TOP CAP INSERT RH
49	21000-462	1	PULLEY COVER ASSEMBLY LH
88	HF579000	4	PANEL FASTENER 10-24 U TYPE
90	HJ582510	4	SEMS 10-32 X .38
101	HT552511	9	TAP SC #8-16 X .38 TAP BLACK PLASTITE
131	HF009000	1	SPEED CLIP U-TYPE

21050 Weight Stack Detail



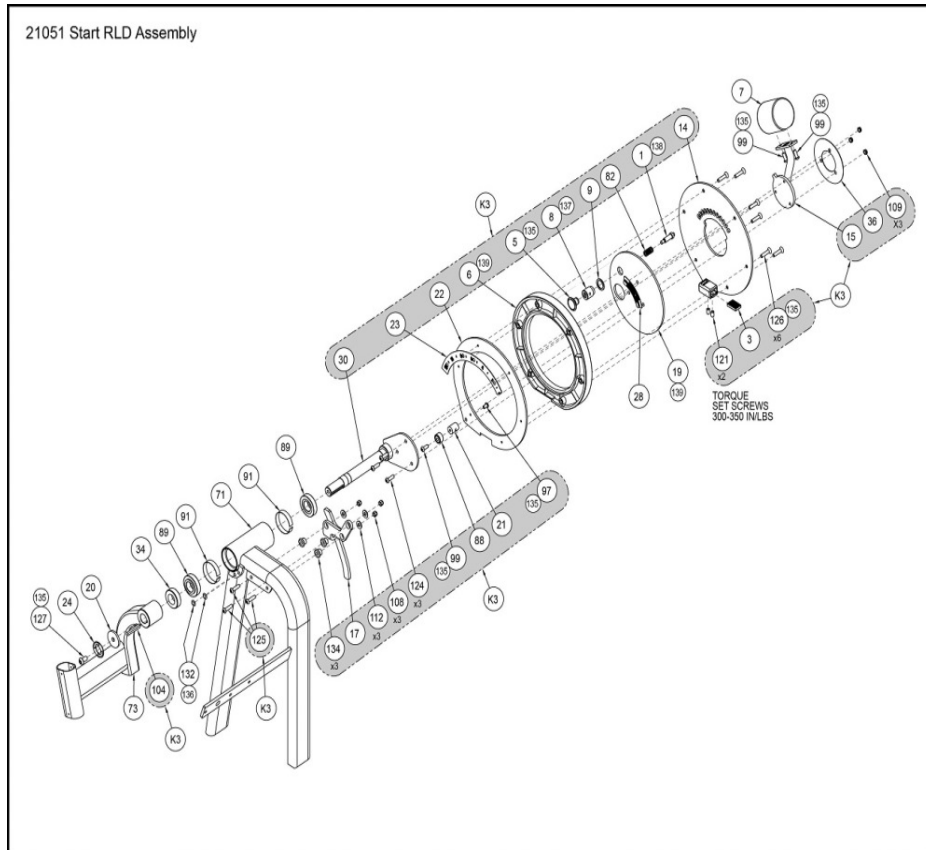
Ref #	Part Number	Qty	Description
56	21030-020	1	
57	21030-021	1	
120	12000-560	2	DECAL WT PLATE (30-290)
121	4000C101	1	C STACK WT 4X18
122	FB130216	2	Bushing Weight Stack
123	12210-352	2	INSERT PLASTIC
124	12210-351	2	TUBE SPACER
125	HS760106	2	WASH FLAT 1.750 .688 .140 T
126	JS497600	2	WASHER 1.19 ID X 1.75 OD X .12 THK
127	PR060005	2	BUMPER WEIGHT

21050-51 Leg Bar Assembly



Ref #	Part Number	Qty	Description
4	11040-440	1	KNOB
9	12050-210	1	W CAM Custom
13	12050-343	1	WASHER
14	12050-355	1	DECAL ROTATION
26	16060-316	1	PLASTIC GUIDE
27	16300-205	1	W CUSHION BAR Custom
58	21050-200	1	W MAIN FRAME Custom
60	21050-216	1	W INPUT ARM Custom
65	4800-006	1	COVERED CUSHION SA CONTOUR 20 Custom
71	4800-093	1	WEAR COVER SA 4.5 X 20 Custom
81	HC622815	1	SHCS .250-20 X .750
86	HC700430	2	BHSCS .375-16 X 2.50
89	HH320030	1	KEY .313 SQ X 2.50
91	HM583208	4	SCREW,10-32X.25,TRHD PHIL
94	HP707017	1	STUD .375-16 X 1.00
108	JC780417	1	BHSCS .500-13 X 1.00
109	JS347400	2	LOCKWASHER INT TOOTH .375
112	PP130003	2	INSERT PLASTIC
114	PR069400	2	BUMPER RECESS
116	YA000201	2	ADH THRD LKR REM .02 OZ 242
118	YA000226	1	LOCTITE 680 .5 ML

21051 Start RLD Assembly



Ref #	Part Number	Qty	Description
1	08229	1	P PIN DETENT
3	11040-301	1	INSERT CLAMP BLOCK
K3	12050K002	1	KIT NON TO START RLD
5	11040-440	1	KNOB
6	11050-333	1	CAM
7	11050-400	1	COUNTERWEIGHT 3.87
8	11050-407	1	RETAINER
9	11050-408	1	SPACER
14	12050-204	1	W CAM PLATE
15	12050-209	1	W COUNTERWEIGHT MOUNT Custom
17	12050-214	1	BRACKET MOUNTING
19	12050-342	1	PLATE ECCENTRIC
20	12050-343	1	WASHER
21	12050-345	1	MOUNT CAM FOLLOWER
22	12050-351	1	PLATE DECAL CAM
23	12050-354	1	DECAL ADJUSTMENT
24	12050-355	1	DECAL ROTATION
28	12050-377	1	DECAL START RLD Custom
30	12060-201	1	W PIVOT SHAFT
34	12101-300	1	SPACER
36	12102-339	1	STOP GUARD
71	21050-200	1	W MAIN FRAME Custom

Ref #	Part Number	Qty	Description
73	21050-216	1	W INPUT ARM Custom
82	BS070201	1	COM SPRING .56 ID X .66 OD X 1.50 LG
88	FB030239	1	CAM FOLLOWER 10 MM
89	FB030249	2	BEARING RADIAL 35MM EXT RACE
91	FC030009	2	TOLERANCE RING 72MM
97	HC700414	1	BHSCS .375-16 X .62
99	HC700417	2	BHSCS .375-16 X 1.00
104	HH320030	1	KEY .313 SQ X 2.50
108	HN704901	3	LOCKNUT .375-16 NYLON
109	HN704902	3	LOCKNUT NYLON .375-16
112	HS347700	3	WASHER USS .375
121	HY740000	2	SET SCREW
124	JC700420	3	BHSCS .375-16 X 1.25
125	JC700422	3	BHSCS .375-16 X 1.50
126	JC700924	6	FHSCS .375-16 X 1.75
127	JC780417	1	BHSCS .500-13 X 1.00
132	PP660006	1	PLUG SNAP IN
134	PR740300	3	MOUNT CENTER BONDED
135	YA000201	1	ADH THRD LKR REM .02 OZ 242
136	YA000222	1	ADH BNDG CYANOACRYLATE
137	YA000226	1	LOCTITE 680 .5 ML
139	YL000200	1	LUBRICANT TEFLON 3 OZ TUBE

