

# Prestige Leg Extension Total RLD

21052-10

## Parts Manual

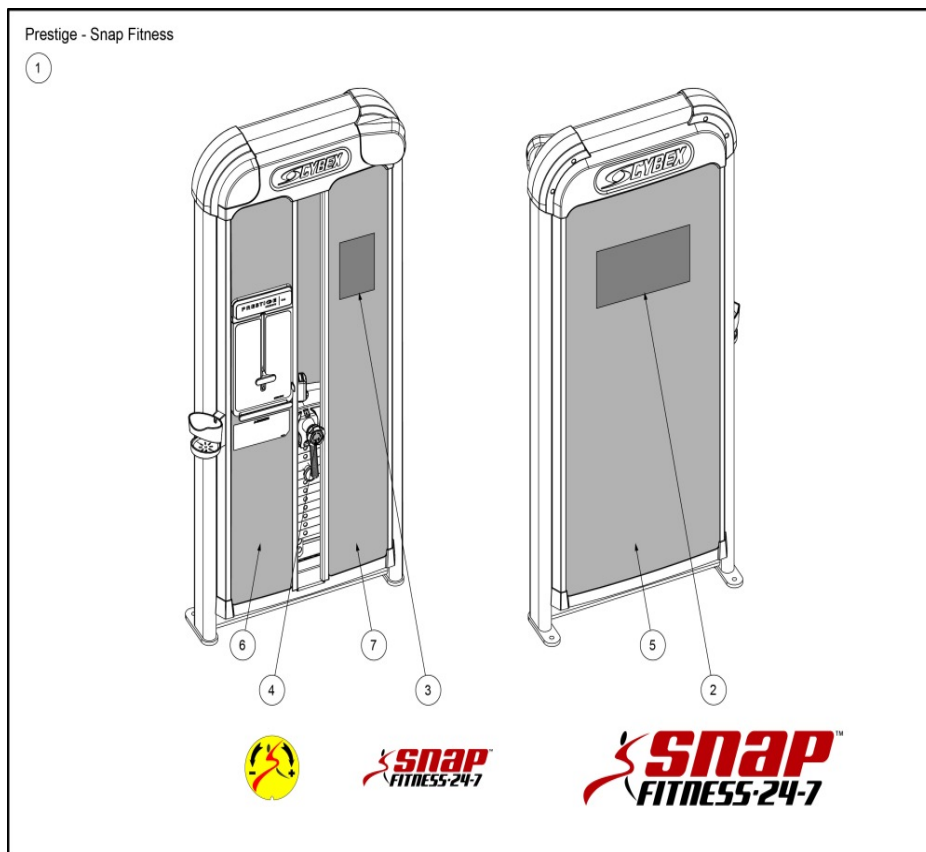
1/5/2019 4:19:11 AM

**Table of Contents**

---

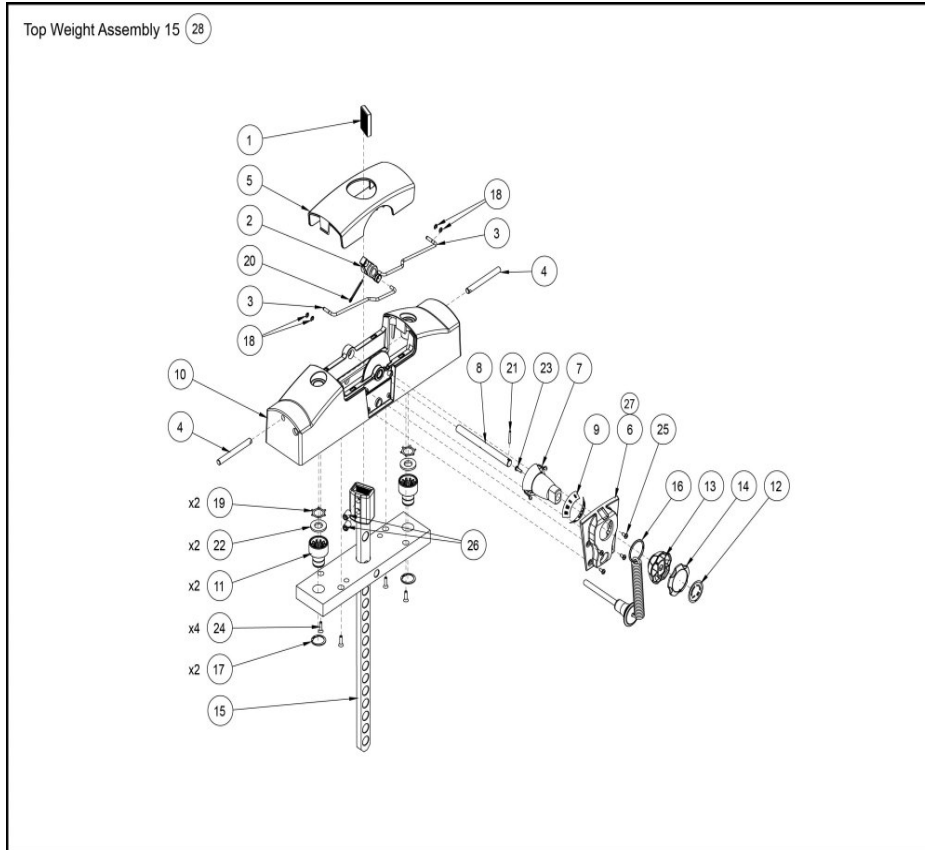
[Prestige - Snap Fitness.....](#)3  
[Top Weight Assembly 15 - 21000-011.....](#)4  
[21050 Belt Routing.....](#)6  
[21050 Cam Assembly.....](#)7  
[21050 Frame Assembly.....](#)8  
[21050 Panel Assembly.....](#)10  
[21050 Seat Assembly.....](#)12  
[21050 Top Plastic Detail.....](#)14  
[21050 Weight Stack Detail.....](#)15  
[21052 Leg Bar Assembly.....](#)16  
[21052 Total RLD Assembly.....](#)18

# Prestige - Snap Fitness



Ref #	Part Number	Qty	Description
1	21010-025OS	1	SNAP PANEL INSERT ASSEMBLY
2	21000-409	1	DECAL, SNAP FITNESS 14.00
3	21000-408	1	DECAL, SNAP FITNESS 6.00
4	12000-424	1	Decal Snap Fitness Rotation
5	21000-440ON	1	BACK PANEL
6	21000-441ON	1	FRONT PANEL (MEDIA CENTER)
7	21000-442ON	1	FRONT PANEL

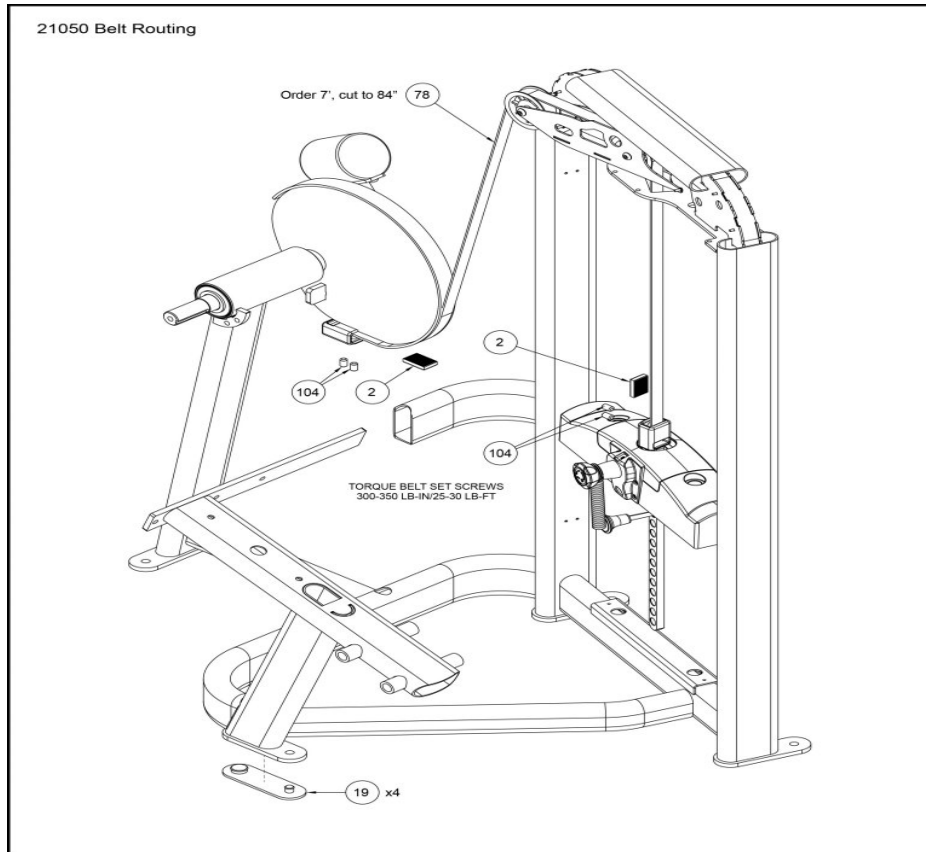
# Top Weight Assembly 15 - 21000-011



Ref #	Part Number	Qty	Description
1	11040-301	1	INSERT CLAMP BLOCK
2	11040-367	1	HUB MOLDED
3	11040-369	2	ROD LINKAGE
4	11040-370	2	PIN
5	11040-416	1	COVER TOP WEIGHT
6	11040-424	1	COVER PLATE
7	11040-426	1	STEM
8	11040-427	1	ROD
9	11040-428	1	DECAL ADJUSTMENT
10	11050-366	1	TOP WT ASSY, MOLDED
11	13000-364	2	BEARING FLNG .62 ID X .92 OD X 1.75 LG
12	20000-429	1	ROTATION DECAL
13	20000-476	1	KNOB, BASE
14	20000-477	1	KNOB
15	21000-231	1	C LIFTING POST 15
16	BH030207	1	PIN WEIGHT SELECTOR
17	BR030206	2	RETAINING RING
18	BR030209	4	RETAINING RING .188
19	BR030220	2	RETAINING RING 1.250 INTERNAL
20	HP016820	1	COTTER PIN .125 X 1.25
21	HP266765	1	ROLL PIN .125 X .938
22	HS720004	2	WASHER FELT .641 ID X 1.250 OD X .125 T

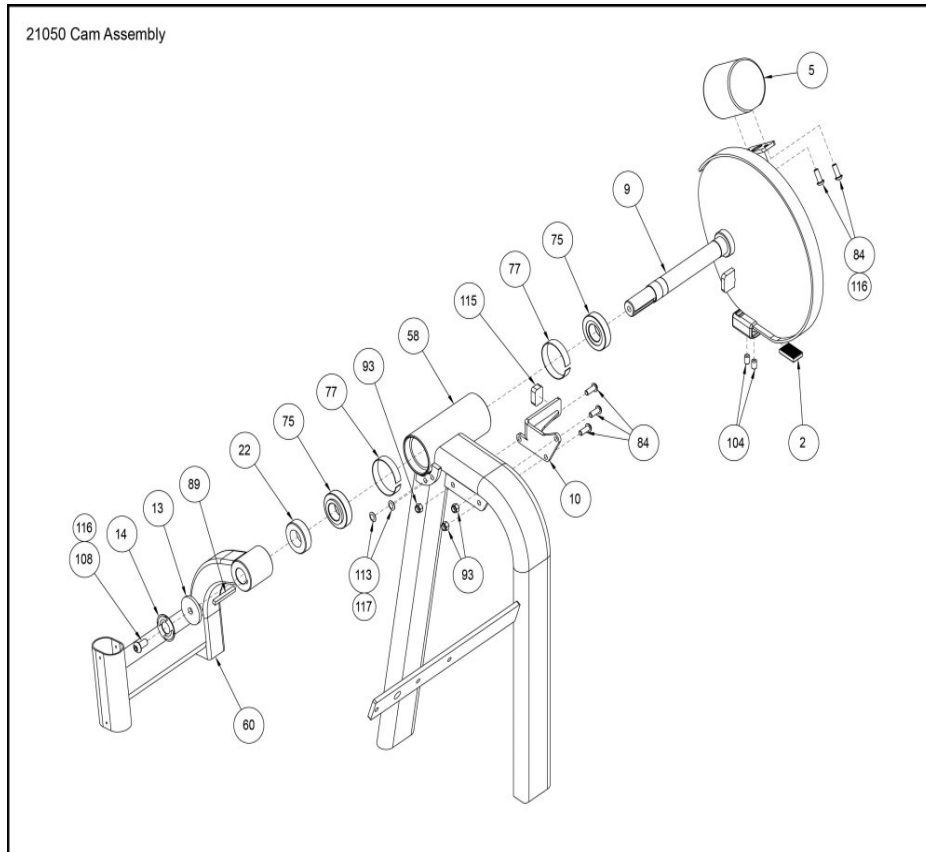
Ref #	Part Number	Qty	Description
23	HT552512	1	TAP SC NO. 8-16 X .50 PLASTITE PAN HEAD PHILLIPS BLACK
24	HT562715	4	TAP SC NO 10 X .750 F PHIL
25	HT582510	4	TAP SC NO 10 X .375 PN HD PHIL
26	HY740000	2	SET SCREW
27	YG000002	1	NLA: Please use Lithium Grease
28	21000-011	1	TOP WEIGHT ASSY 15

## 21050 Belt Routing



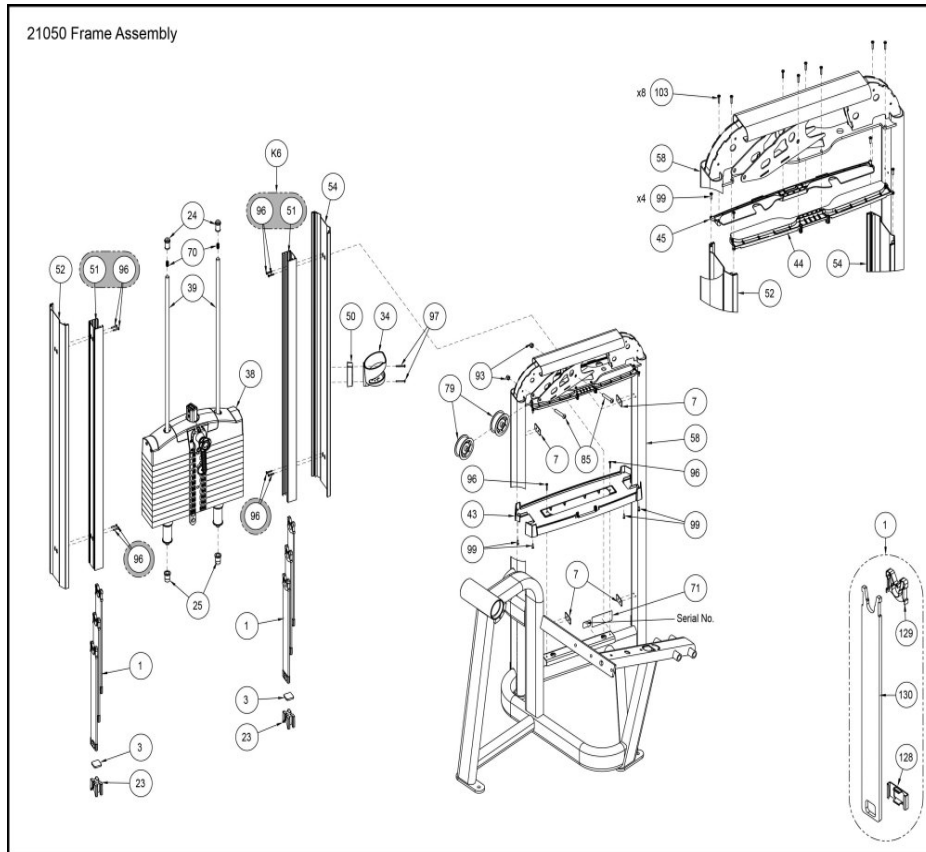
Ref #	Part Number	Qty	Description
2	11040-301	2	INSERT CLAMP BLOCK
19	12090-322	4	PAD FOOT
78	GB000202	7	BELT .95 WIDE
104	HY740000	4	SET SCREW

## 21050 Cam Assembly



Ref #	Part Number	Qty	Description
2	11040-301	1	INSERT CLAMP BLOCK
5	11050-400	1	COUNTERWEIGHT 3.87
9	12050-210	1	W CAM Custom
10	12050-211	1	W STOP BRACKET Custom
13	12050-343	1	WASHER
14	12050-355	1	DECAL ROTATION
22	12101-300	1	SPACER
58	21050-200	1	W MAIN FRAME Custom
60	21050-216	1	W INPUT ARM Custom
75	FB030249	2	BEARING RADIAL 35MM EXT RACE
77	FC030009	2	TOLERANCE RING 72MM
84	HC700417	5	BHSCS .375-16 X 1.00
89	HH320030	1	KEY .313 SQ X 2.50
93	HN704901	3	LOCKNUT .375-16 NYLON
104	HY740000	1	SET SCREW
108	JC780417	1	BHSCS .500-13 X 1.00
113	PP660006	2	PLUG SNAP IN
115	PU060201	1	BUMPER
116	YA000201	1	ADH THRD LKR REM .02 OZ 242
117	YA000222	1	ADH BNDG CYANOACRYLATE

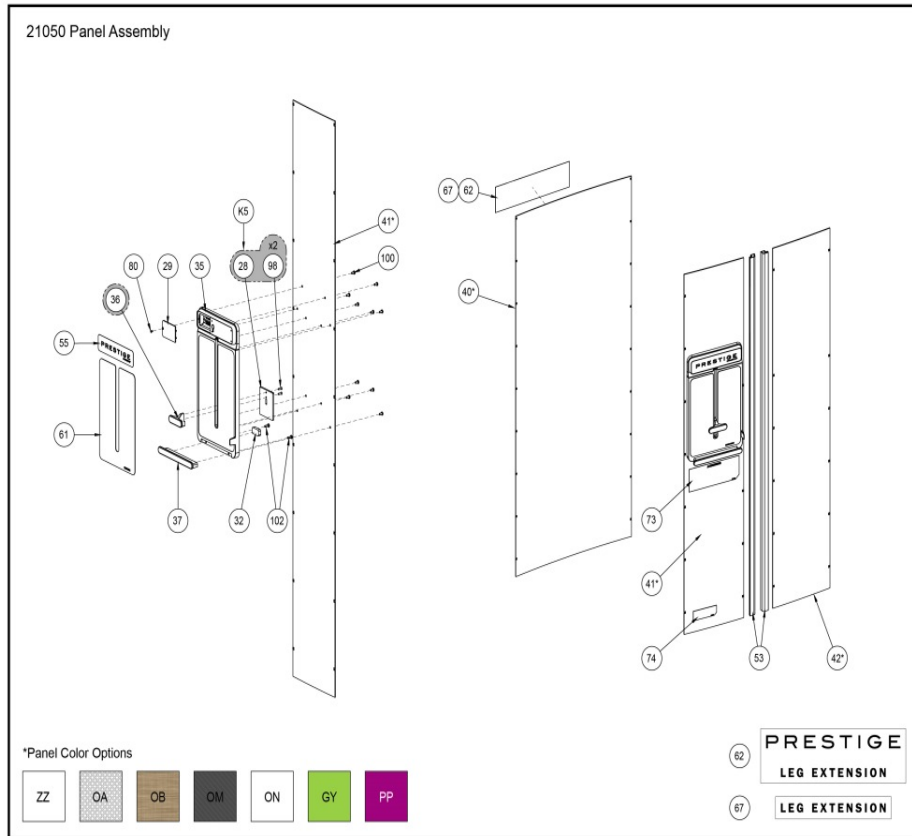
## 21050 Frame Assembly



Ref #	Part Number	Qty	Description
1,130	11040-030	12	INCREMENT WEIGHT S/A
3	11040-409	2	BUMPER
K6	21000K002	6	KIT, SHORT INC WT CHANNEL REPLACEMENT (PRESTIGE)
7	12000-398	2	SPACER
23	12102-330	2	INSERT INCREMENT WEIGHT
24	12210-347	2	CAP GUIDE ROD
25	12210-348	2	CAP GUIDE ROD
34	20000-650	1	HOLDER, WATER BOTTLE
38	21000-011	1	TOP WEIGHT ASSY 15
39	21000-350	2	WT ROD .625 X 48.22
43	21000-450	1	BOTTOM TRAY
44	21000-451	1	MOUNT, FRONT
45	21000-452	1	MOUNT, BACK
50	21000-465	1	SPACER
51	21000-580	2	EXTRUSION, INC WT CHANNEL
52	21000-471	1	EXTRUSION, OUTER CHANNEL
54	21000-473	1	EXTRUSION, OUTER CHANNEL (RH HOLES)
58	21050-200	1	W MAIN FRAME Custom
70	BS070208	2	COMP SPRING .396 ID X .480 OD X 1.50 LG
71	4800-093	1	WEAR COVER SA 4.5 X 20 Custom
79	GP000209	2	PULLEY ASSEMBLY-3.50

Ref #	Part Number	Qty	Description
85	HC700428	2	BHSCS .375-16 X 2.25
93	HN704901	1	LOCKNUT .375-16 NYLON
96	HT512517	12	TAP SC 10-24 X 1.00 TYPE WB PN HD PHIL BLK
97	HT512522	2	TAP SC 10-24 X 1.50 TYPE WB PN
99	HT542514	4	TAP SC NO 8-32 X .625 A PHIL
103	HT552515	8	TAP SC NO. 8-16 X .75 PLASTITE PN HD PHIL BLK
128	11040-572	6	GUARD INCREMENT WEIGHT
129	11040-578	6	GUARD, INCREMENT WEIGHT
-	CM000202	1	

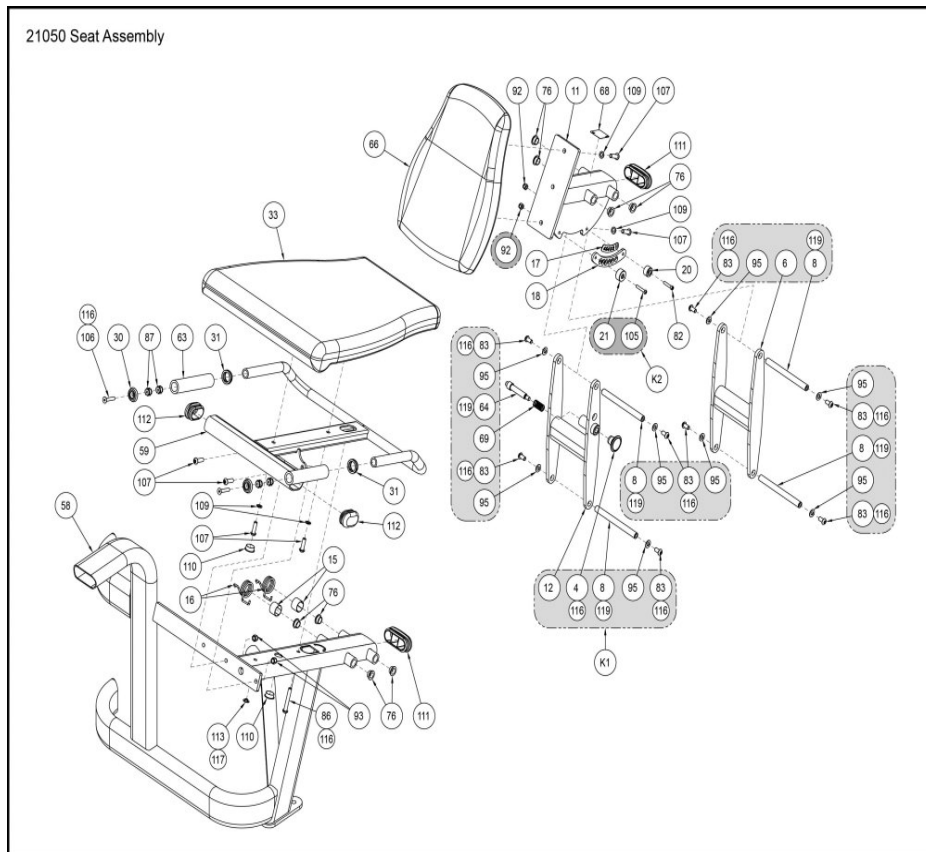
## 21050 Panel Assembly



Ref #	Part Number	Qty	Description
K5	20000K007	1	KIT, CLAMP BAR REPLACEMENT
28	20000-483	2	WEIGHT PLATE
29	20000-524	1	COVER PLATE
32	20000-560	1	BUMPER
35	20000-652	1	PANEL, PLACARD
36	20000-662	1	CLAMP BAR
37	20000-655	1	BOTTOM TAB
40	21000-440OB	1	BACK PANEL BALI
40	21000-440OA	1	BACK PANEL ASPEN
40	21000-440PP	1	BACK PANEL, PLANET FITNESS PURPLE
40	21000-440ON	1	BACK PANEL
40	21000-440OM	1	BACK PANEL MORACO
40	21000-440ZZ	1	BACK PANEL
40	21000-440GY	1	BACK PANEL, YOUFIT GREEN
41	21000-441OA	1	FRONT PANEL (MEDIA CENTER) ASPEN
41	21000-441OB	1	FRONT PANEL (MEDIA CENTER) BALI
41	21000-441ZZ	1	FRONT PANEL (MEDIA CENTER)
41	21000-441ON	1	FRONT PANEL (MEDIA CENTER)
41	21000-441OM	1	FRONT PANEL (MEDIA CENTER) MORACO
41	21000-441PP	1	FRONT PANEL, PLANET FITNESS PURPLE
41	21000-441GY	1	FRONT PANEL (MEDIA CENTER), YOUFIT GREEN
42	21000-442OB	1	FRONT PANEL BALI

Ref #	Part Number	Qty	Description
42	21000-442GY	1	FRONT PANEL
42	21000-442OA	1	FRONT PANEL ASPEN
42	21000-442PP	1	FRONT PANEL, PLANET FITNESS PURPLE
42	21000-442OM	1	FRONT PANEL MORACO
42	21000-442ON	1	FRONT PANEL
42	21000-442ZZ	1	FRONT PANEL
53	21000-472	1	EXTRUDED GUARD
55	21000-556	1	MEDIA CENTER DECAL
61	21050-598	1	Placard Prestige Leg Ext Custom
62	21050-701	1	DECAL, LEG EXTENSION
62	21050-700	1	DECAL, LEG EXTENSION
67	20050-704	1	DECAL, LEG EXTENSION, SILVER
67	20050-703	1	DECAL, LEG EXTENSION, BLACK
73	DE000023	1	Decal Warning Custom
74	DE000025	1	NLA: DECAL, MADE IN U.S.A.
98	HT532712	1	FLAT HEAD PHILLIPS #6 X .500 LG TYPE AB
100	HT552509	10	TAP SC NO 8-16 X .31 PLASTITE PN HD PHIL
102	HT552512	2	TAP SC NO. 8-16 X .50 PLASTITE PAN HEAD PHILLIPS BLACK

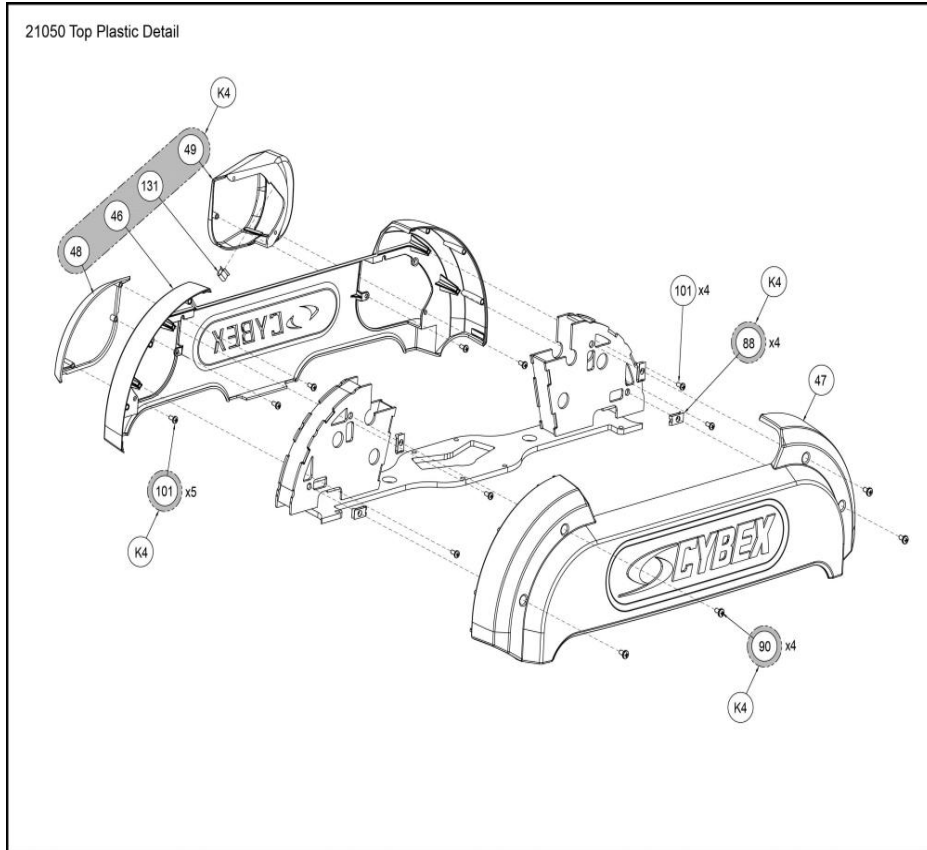
## 21050 Seat Assembly



Ref #	Part Number	Qty	Description
K1	12050K009	1	KIT, SEAT BAR LINKAGE Custom
K2	12001K002	1	KIT, BUMPER REPLACEMENT
4	11040-440	1	KNOB
6	12000-211	1	W DETENT LINK Custom
8	12000-480	4	PIN, PIVOT
11	12050-212	1	W SEAT BACK Custom
12	12050-217	1	NLA: W DETENT LINK
15	12050-369	2	ENDCAP
16	12050-370	2	SPRING TORSION
17	12050-374	1	DECAL SEAT ADJUST
18	12050-380	1	P DETENT PLATE
20	12100-303	1	BUMPER
21	12100-312	1	BUMPER
30	20000-525	2	TRIM RING
31	20000-526	2	TRIM RING
33	20000-620	1	CUSHION ASSEMBLY SEAT 20.12 X 26.38 MOLDED Custom
58	21050-200	1	W MAIN FRAME Custom
59	21050-201	1	W SEAT MOUNT Custom
63	4605-507	2	GRAB GRIP 6.50
64	4713-318	1	PIN DETENT
66	4800-464	1	CUSHION SA BACK 18" MOLDED Custom

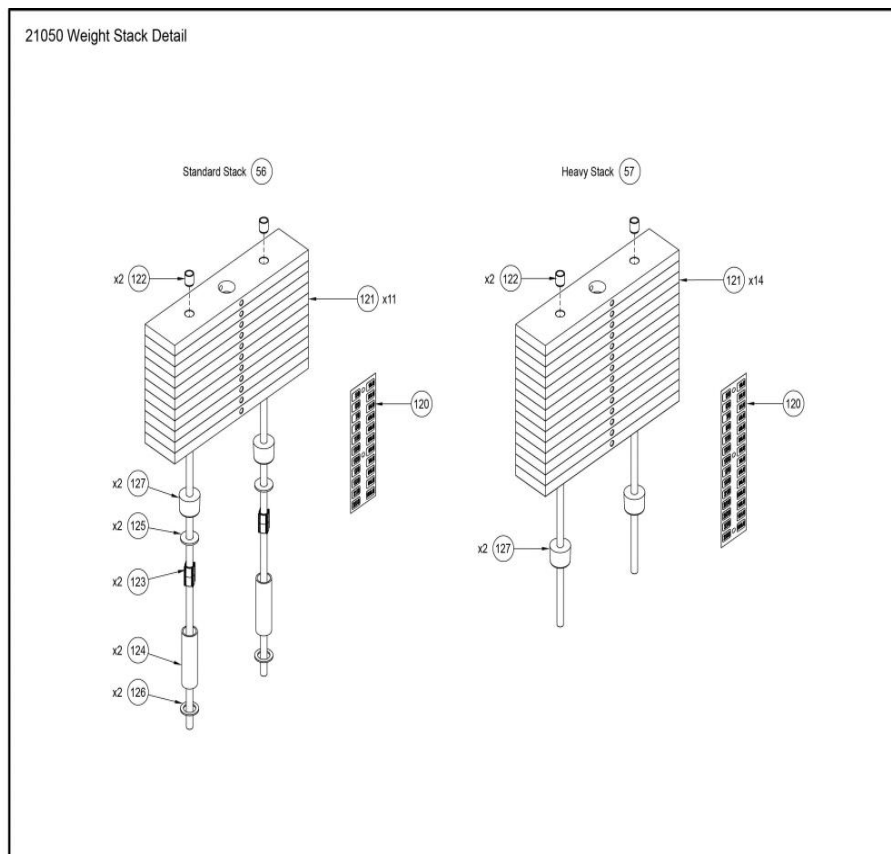
Ref #	Part Number	Qty	Description
68	8500-025	1	DECAL CAUTION Custom
69	BS070201	1	COM SPRING .56 ID X .66 OD X 1.50 LG
76	FB130205	8	BRG FLG .62 X .75 .38 LG
82	HC622820	1	SHCS .250-20 X 1.25
83	HC700415	8	BHSCS .375-16 X .75
86	HC700430	1	BHSCS .375-16 X 2.50
87	HF449066	4	INSERT 3/4 X 5/16-18 UNC
92	HN625200	1	LOCKNUT .250-20 NYLON HVY
93	HN704901	1	LOCKNUT .375-16 NYLON
95	HS347600	8	WASHER SAE .375
105	JC620422	1	BHSCS .250-20 X 1.50
106	JC661000	1	FHSCS .312-18 X 1.75 LONG
107	JC700420	6	BHSCS .375-16 X 1.25
109	JS347400	1	LOCKWASHER INT TOOTH .375
110	PN660200	2	INSERT PLASTIC 1.00 DIA-11 GA
111	PP130002	2	INSERT DOMED PLASTIC
112	PP130003	2	INSERT PLASTIC
113	PP660006	1	PLUG SNAP IN
116	YA000201	1	ADH THRD LKR REM .02 OZ 242
117	YA000222	1	ADH BNDG CYANOACRYLATE
119	YG000002	1	NLA: Please use Lithium Grease

21050 Top Plastic Detail



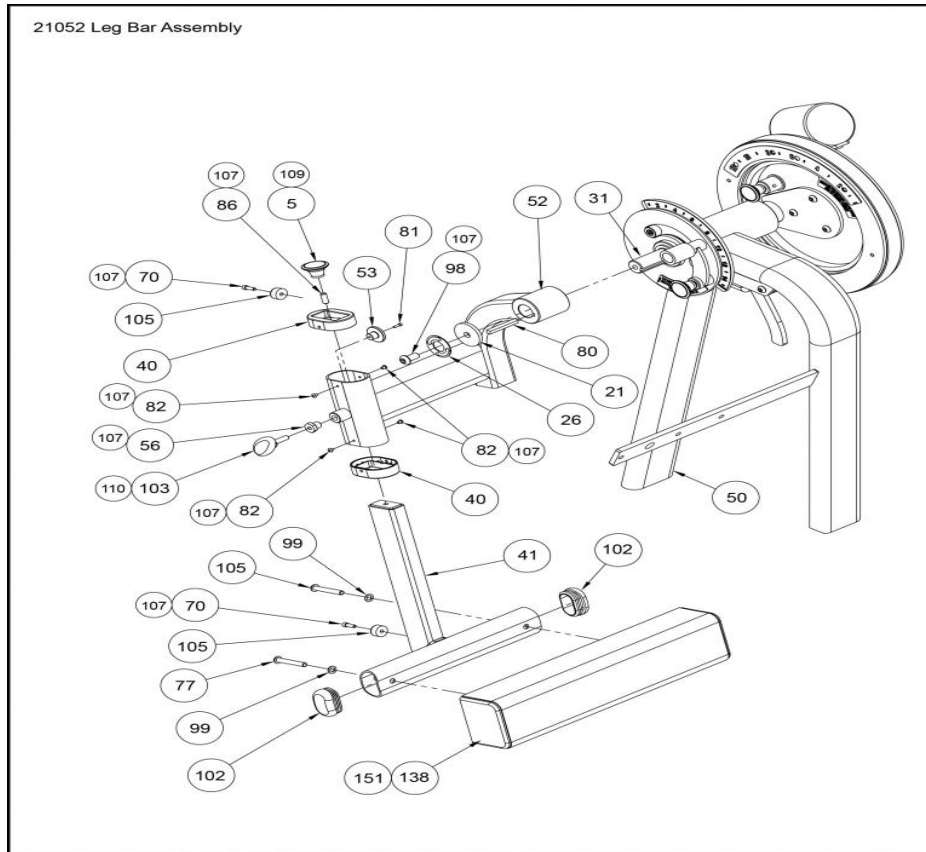
Ref #	Part Number	Qty	Description
K4	21000K041	1	KIT, PRESTIGE TOP CAP (LH EXIT)
46	21000-454	1	TOP CAP, FRONT
47	21000-455	1	TOP CAP, REAR
48	21000-460	1	TOP CAP INSERT RH
49	21000-462	1	PULLEY COVER ASSEMBLY LH
88	HF579000	4	PANEL FASTENER 10-24 U TYPE
90	HJ582510	4	SEMS 10-32 X .38
101	HT552511	9	TAP SC #8-16 X .38 TAP BLACK PLASTITE
131	HF009000	1	SPEED CLIP U-TYPE

## 21050 Weight Stack Detail



Ref #	Part Number	Qty	Description
56	21030-020	1	
57	21030-021	1	
120	12000-560	2	DECAL WT PLATE (30-290)
121	4000C101	1	C STACK WT 4X18
122	FB130216	2	Bushing Weight Stack
123	12210-352	2	INSERT PLASTIC
124	12210-351	2	TUBE SPACER
125	HS760106	2	WASH FLAT 1.750 .688 .140 T
126	JS497600	2	WASHER 1.19 ID X 1.75 OD X .12 THK
127	PR060005	2	BUMPER WEIGHT

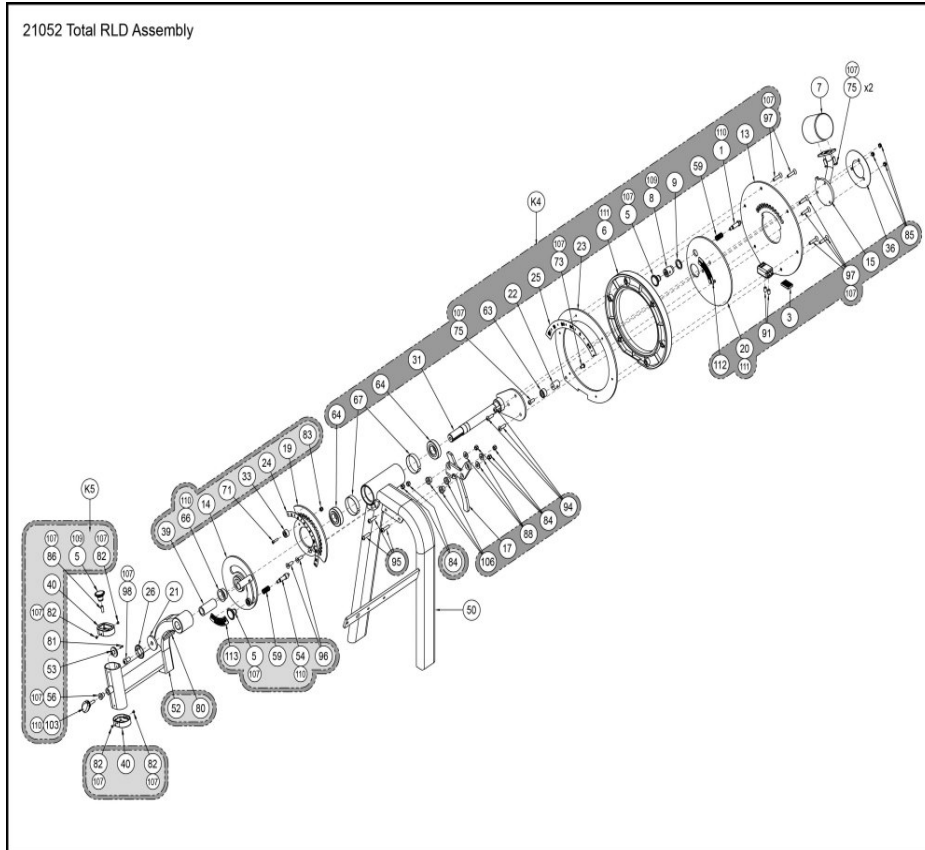
## 21052 Leg Bar Assembly



Ref #	Part Number	Qty	Description
5	11040-440	1	KNOB
21	12050-343	1	WASHER
26	12050-355	1	DECAL ROTATION
31	12060-201	1	W PIVOT SHAFT
40	16060-316	1	PLASTIC GUIDE
41	16300-205	1	W CUSHION BAR Custom
50	21050-200	1	W MAIN FRAME Custom
52	21052-207	1	W INPUT ARM Custom
53	21052-305	1	PUSHER
56	4705-332	1	INSERT THREADED .375-16 X .562-12
70	HC622815	2	SHCS .250-20 X .750
77	HC700430	1	BHSCS .375-16 X 2.50
80	HH320030	1	KEY .313 SQ X 2.50
81	HM532812	1	SHCS .138-6-32 X .500 GR 8
82	HM583208	2	SCREW,10-32X.25,TRHD PHIL
86	HP707017	1	STUD .375-16 X 1.00
98	JC780417	1	BHSCS .500-13 X 1.00
99	JS347400	1	LOCKWASHER INT TOOTH .375
102	PP130003	2	INSERT PLASTIC
103	PP460011	1	KNOB OVAL .375-16 MALE
105	PR069400	2	BUMPER RECESS
107	YA000201	1	ADH THRD LKR REM .02 OZ 242

<b>Ref #</b>	<b>Part Number</b>	<b>Qty</b>	<b>Description</b>
109	YA000226	1	LOCTITE 680 .5 ML
110	YG000002	1	NLA: Please use Lithium Grease
138	4800-006	1	COVERED CUSHION SA CONTOUR 20 Custom
151	4800-093	1	WEAR COVER SA 4.5 X 20 Custom

## 21052 Total RLD Assembly



Ref #	Part Number	Qty	Description
1	08229	1	P PIN DETENT
3	11040-301	1	INSERT CLAMP BLOCK
K4	21050K003	1	KIT, NON TO TOTAL RLD Custom
5	11040-440	1	KNOB
K5	21051K004	1	KIT, START TO TOTAL RLD Custom
6	11050-333	1	CAM
7	11050-400	1	COUNTERWEIGHT 3.87
8	11050-407	1	RETAINER
9	11050-408	1	SPACER
13	12050-204	1	W CAM PLATE
14	12050-205	1	W STOP PLATE
15	12050-209	1	W COUNTERWEIGHT MOUNT Custom
17	12050-214	1	BRACKET MOUNTING
19	12050-322	1	PLATE DETENT
20	12050-342	1	PLATE ECCENTRIC
21	12050-343	1	WASHER
22	12050-345	1	MOUNT CAM FOLLOWER
23	12050-351	1	PLATE DECAL CAM
24	12050-353	1	DECAL CAM STOP
25	12050-354	1	DECAL ADJUSTMENT
26	12050-355	1	DECAL ROTATION
31	12060-201	1	W PIVOT SHAFT

Ref #	Part Number	Qty	Description
33	12100-303	1	BUMPER
36	12102-339	1	STOP GUARD
39	20050-379	1	GRIP 1.75
40	16060-316	1	PLASTIC GUIDE
50	21050-200	1	W MAIN FRAME Custom
52	21052-207	1	W INPUT ARM Custom
53	21052-305	1	PUSHER
54	4505-329	1	PIN DETENT
56	4705-332	1	INSERT THREADED .375-16 X .562-12
59	BS070201	1	COM SPRING .56 ID X .66 OD X 1.50 LG
63	FB030239	1	CAM FOLLOWER 10 MM
64	FB030249	1	BEARING RADIAL 35MM EXT RACE
66	FB130213	1	BRG FLG 1.375 X 1.625 X .75 LG
67	FC030009	1	TOLERANCE RING 72MM
71	HC622817	1	SHCS .250-20 X 1.00
73	HC700414	1	BHSCS .375-16 X .62
75	HC700417	2	BHSCS .375-16 X 1.00
80	HH320030	1	KEY .313 SQ X 2.50
81	HM532812	1	SHCS .138-6-32 X .500 GR 8
82	HM583208	4	SCREW,10-32X.25,TRHD PHIL
83	HN625200	1	LOCKNUT .250-20 NYLON HVY
84	HN704901	3	LOCKNUT .375-16 NYLON
85	HN704902	1	LOCKNUT NYLON .375-16
86	HP707017	1	STUD .375-16 X 1.00
88	HS347700	3	WASHER USS .375
91	HY740000	2	SET SCREW
94	JC700420	3	BHSCS .375-16 X 1.25
95	JC700422	1	BHSCS .375-16 X 1.50
96	JC700920	2	FHSCS .375-16 X 1.25
97	JC700924	6	FHSCS .375-16 X 1.75
98	JC780417	1	BHSCS .500-13 X 1.00
103	PP460011	1	KNOB OVAL .375-16 MALE
106	PR740300	1	MOUNT CENTER BONDED
107	YA000201	1	ADH THRD LKR REM .02 OZ 242
109	YA000226	1	LOCTITE 680 .5 ML
110	YG000002	1	NLA: Please use Lithium Grease
111	YL000200	1	LUBRICANT TEFLON 3 OZ TUBE
112	12050-377	1	DECAL START RLD Custom
113	12050-378	1	DECAL TOTAL RLD Custom

