

# PRESTIGE SEATED LEG CURL NON RLD

21060-01

## Parts Manual

1/5/2019 4:19:12 AM

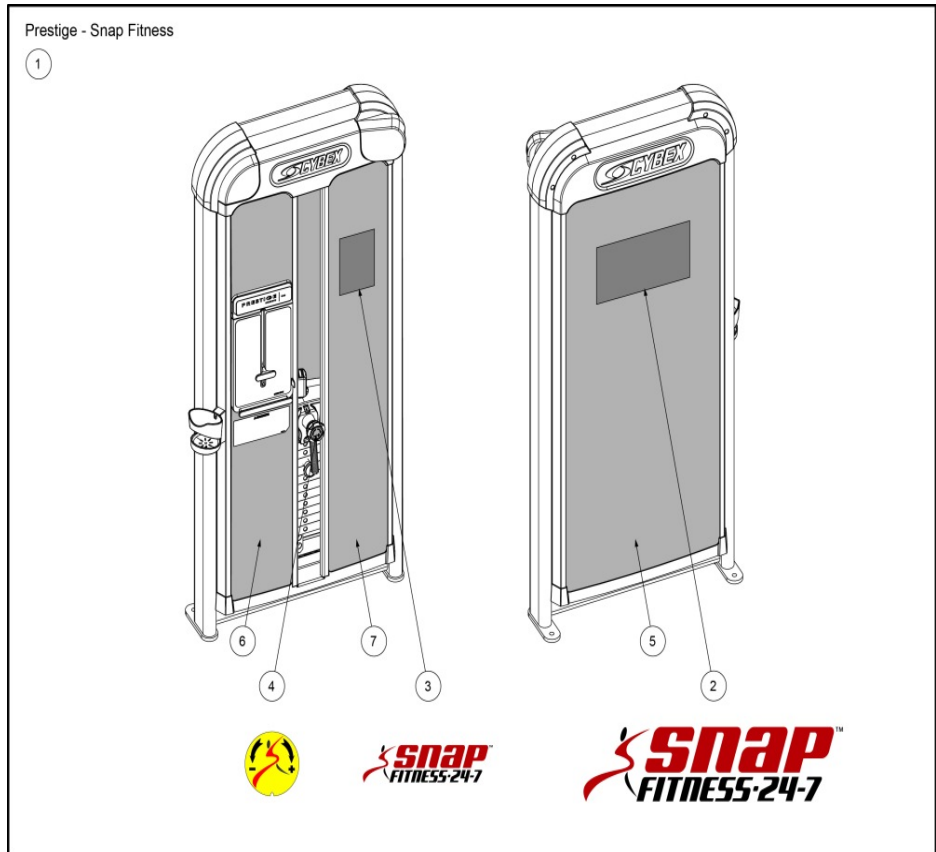


**Table of Contents**

---

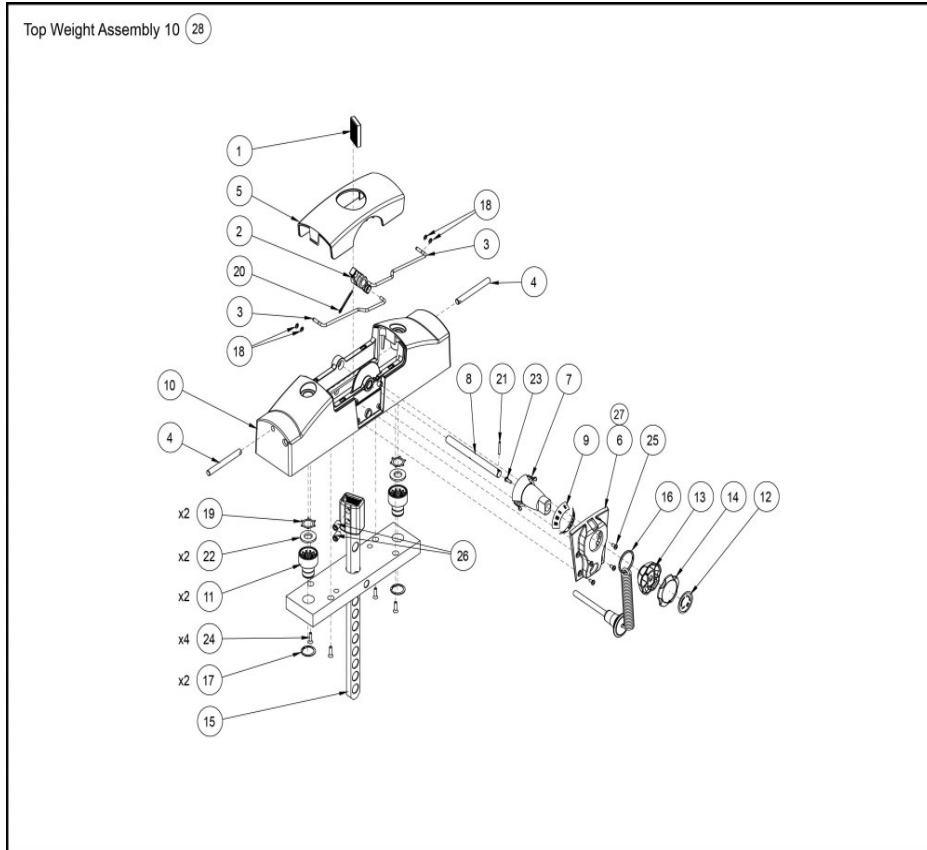
[Prestige - Snap Fitness.....3](#)  
[Top Weight Assembly 10 21000-007.....4](#)  
[21060 Back Mount Assembly.....6](#)  
[21060 Belt Routing.....8](#)  
[21060 Cam Follower Detail.....9](#)  
[21060 Frame Assembly.....10](#)  
[21060 Input Arm Assembly.....12](#)  
[21060 Panel Assembly.....14](#)  
[21060 RLD Assembly.....16](#)  
[21060 Seat Assembly.....18](#)  
[21060 Top Plastic Detail.....19](#)  
[21060 Weight Stack Detail.....20](#)

**Prestige - Snap Fitness**



Ref #	Part Number	Qty	Description
1	21010-025OS	1	SNAP PANEL INSERT ASSEMBLY
2	21000-409	1	DECAL, SNAP FITNESS 14.00
3	21000-408	1	DECAL, SNAP FITNESS 6.00
4	12000-424	1	Decal Snap Fitness Rotation
5	21000-440ON	1	BACK PANEL
6	21000-441ON	1	FRONT PANEL (MEDIA CENTER)
7	21000-442ON	1	FRONT PANEL

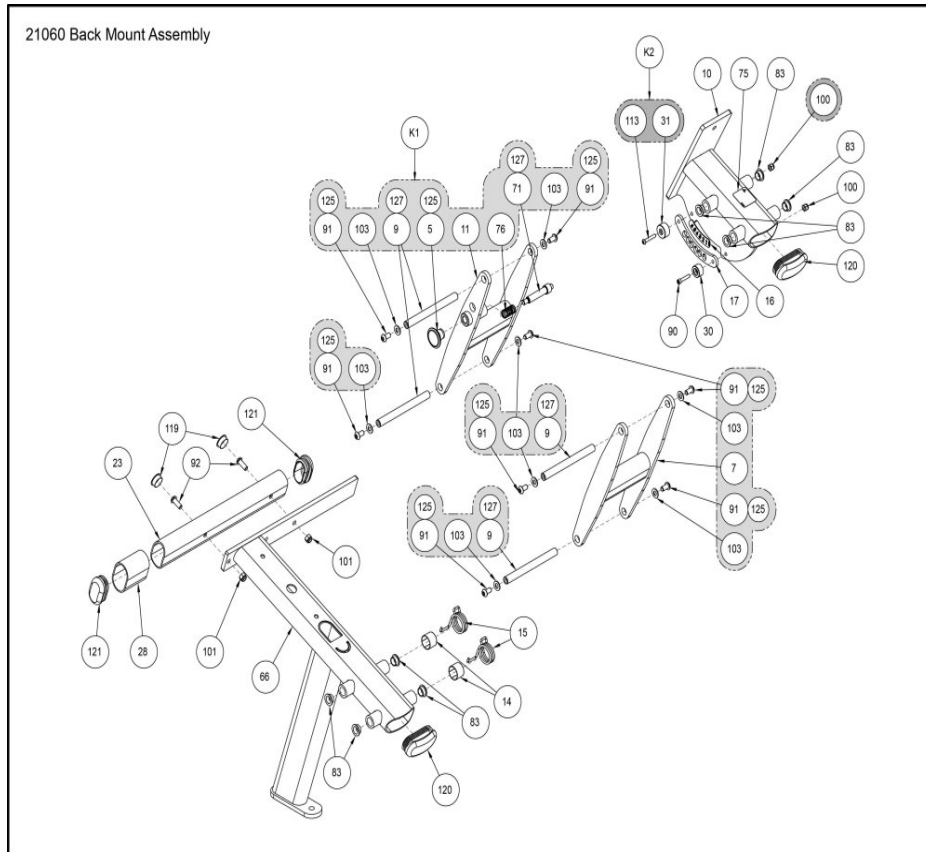
**Top\_Weight\_Assembly\_10\_21000-007**



Ref #	Part Number	Qty	Description
1	11040-301	1	INSERT CLAMP BLOCK
2	11040-367	1	HUB MOLDED
3	11040-369	2	ROD LINKAGE
4	11040-370	2	PIN
5	11040-416	1	COVER TOP WEIGHT
6	11040-424	1	COVER PLATE
7	11040-426	1	STEM
8	11040-427	1	ROD
9	11040-428	1	DECAL ADJUSTMENT
10	11050-366	1	TOP WT ASSY, MOLDED
11	13000-364	2	BEARING FLNG .62 ID X .92 OD X 1.75 LG
12	20000-429	1	ROTATION DECAL
13	20000-476	1	KNOB, BASE
14	20000-477	1	KNOB
15	21000-228	1	C LIFTING POST 10
16	BH030207	1	PIN WEIGHT SELECTOR
17	BR030206	2	RETAINING RING
18	BR030209	4	RETAINING RING .188
19	BR030220	2	RETAINING RING 1.250 INTERNAL
20	HP016820	1	COTTER PIN .125 X 1.25
21	HP266765	1	ROLL PIN .125 X .938
22	HS720004	1	WASHER FELT .641 ID X 1.250 OD X .125 T

Ref #	Part Number	Qty	Description
23	HT552512	1	TAP SC NO. 8-16 X .50 PLASTITE PAN HEAD PHILLIPS BLACK
24	HT562715	4	TAP SC NO 10 X .750 F PHIL
25	HT582510	1	TAP SC NO 10 X .375 PN HD PHIL
26	HY740000	2	SET SCREW
27	YG000002	1	NLA: Please use Lithium Grease
28	21000-007	1	TOP WEIGHT ASSY 10

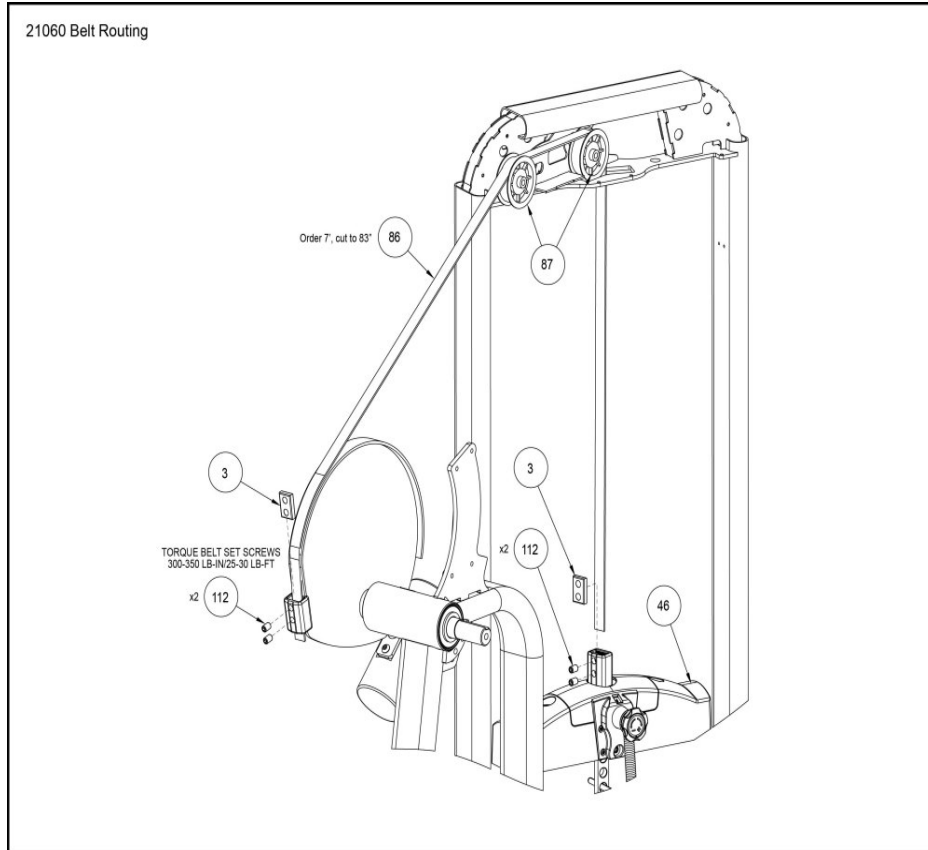
21060\_Back\_Mount\_Assembly



Ref #	Part Number	Qty	Description
K1	12050K009	1	KIT, SEAT BAR LINKAGE Custom
K2	12001K002	1	KIT, BUMPER REPLACEMENT
5	11040-440	1	KNOB
7	12000-211	1	W DETENT LINK Custom
9	12000-480	4	PIN, PIVOT
10	12050-212	1	W SEAT BACK Custom
11	12050-217	1	NLA: W DETENT LINK
14	12050-369	1	ENDCAP
15	12050-370	1	SPRING TORSION
16	12050-374	1	DECAL SEAT ADJUST
17	12050-380	1	P DETENT PLATE
23	12060-317	1	TUBE SUPPORT
28	12060-362	1	GRIP 2.94 LG X 2.00 OD X 11GA
30	12100-303	1	BUMPER
31	12100-312	1	BUMPER
66	21060-200	1	W MAIN FRAME Custom
71	4713-318	1	PIN DETENT
75	8500-025	1	DECAL CAUTION Custom
76	BS070201	1	COM SPRING .56 ID X .66 OD X 1.50 LG
83	FB130205	8	BRG FLG .62 X .75 .38 LG
90	HC622820	1	SHCS .250-20 X 1.25
91	HC700415	8	BHSCS .375-16 X .75

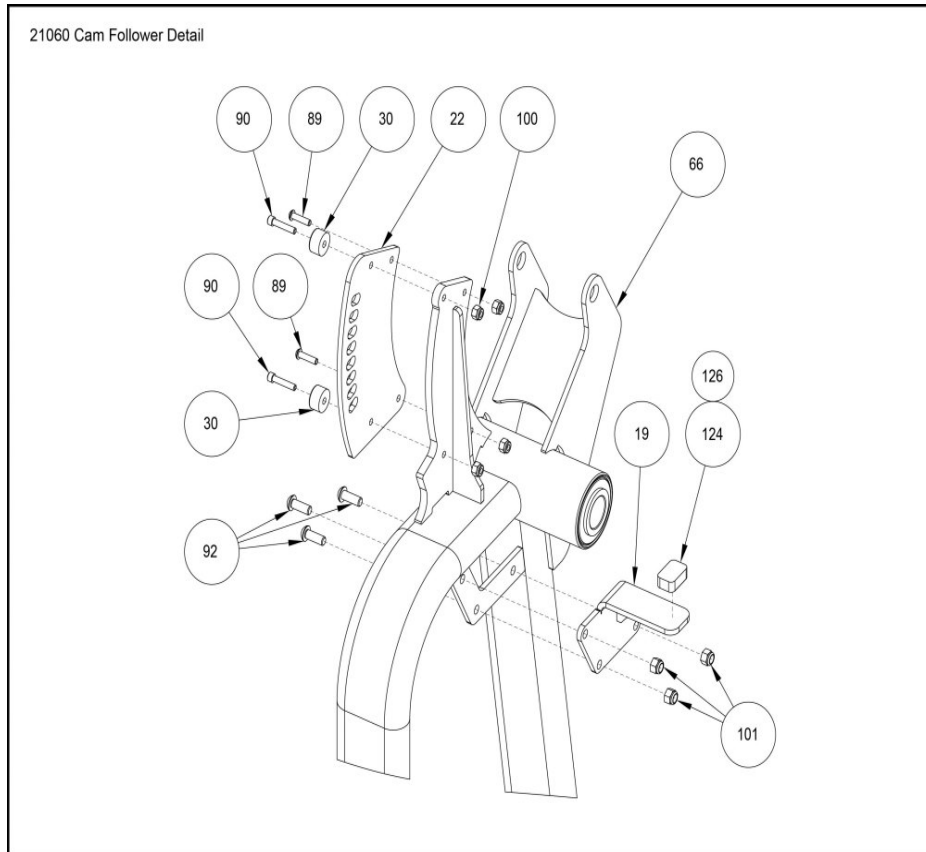
Ref #	Part Number	Qty	Description
92	HC700417	2	BHSCS .375-16 X 1.00
100	HN625200	1	LOCKNUT .250-20 NYLON HVY
101	HN704901	2	LOCKNUT .375-16 NYLON
103	HS347600	8	WASHER SAE .375
113	JC620422	1	BHSCS .250-20 X 1.50
119	PN660200	2	INSERT PLASTIC 1.00 DIA-11 GA
120	PP130002	2	INSERT DOMED PLASTIC
121	PP130003	2	INSERT PLASTIC
125	YA000201	1	ADH THRD LKR REM .02 OZ 242
127	YG000002	1	NLA: Please use Lithium Grease

21060\_Belt\_Routing



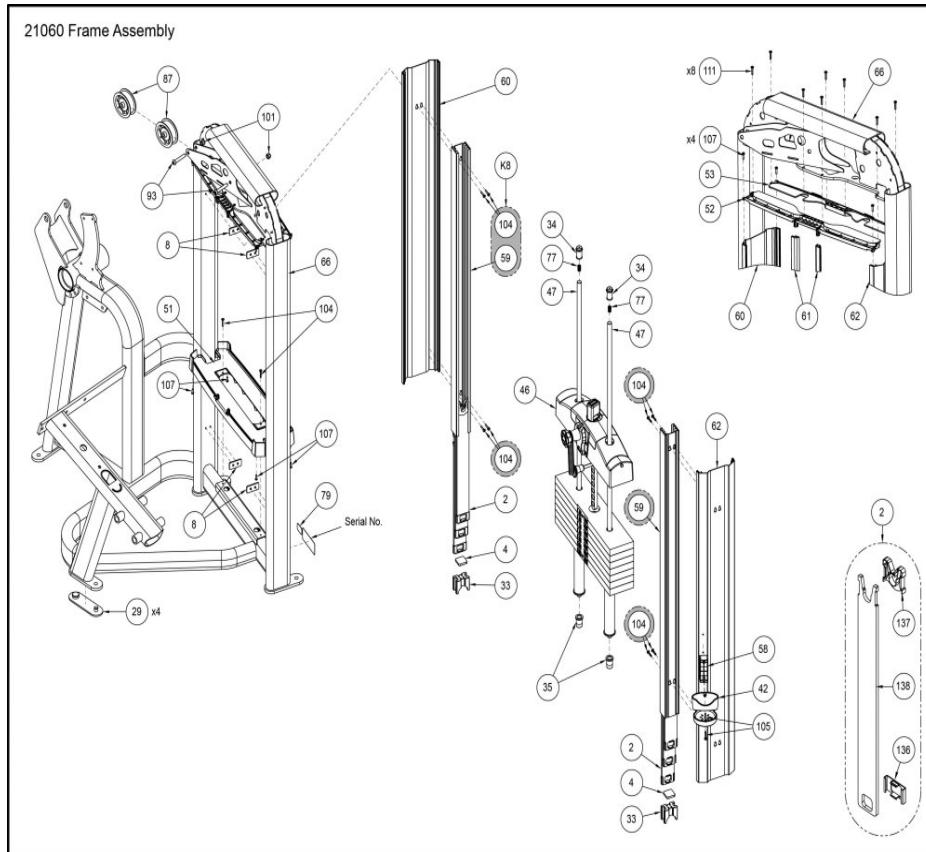
Ref #	Part Number	Qty	Description
3	11040-301	2	INSERT CLAMP BLOCK
46	21000-007	1	TOP WEIGHT ASSY 10
86	GB000202	7	BELT .95 WIDE
87	GP000209	2	PULLEY ASSEMBLY-3.50
112	HY740000	4	SET SCREW

21060\_Cam\_Follower\_Detail



Ref #	Part Number	Qty	Description
19	12060-210	1	W CAM STOP Custom
22	12060-315	1	P DETENT PLATE
30	12100-303	2	BUMPER
66	21060-200	1	W MAIN FRAME Custom
89	HC620417	2	BHSCS .250-20 X 1.00
90	HC622820	2	SHCS .250-20 X 1.25
92	HC700417	3	BHSCS .375-16 X 1.00
100	HN625200	4	LOCKNUT .250-20 NYLON HVY
101	HN704901	3	LOCKNUT .375-16 NYLON
124	PU060201	1	BUMPER
126	YA000222	1	ADH BNDG CYANOACRYLATE

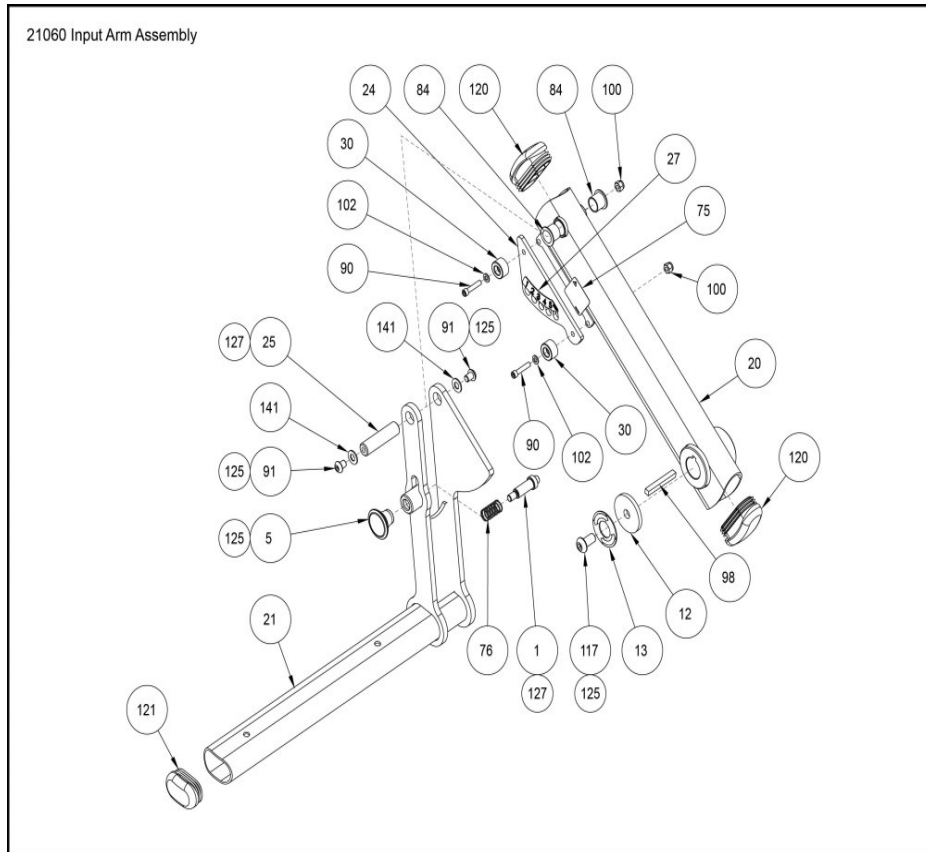
## 21060\_Frame\_Assembly



Ref #	Part Number	Qty	Description
4	11040-409	1	BUMPER
			KIT, SHORT INC WT CHANNEL REPLACEMENT
K8	21000K002	1	(PRESTIGE)
8	12000-398	4	SPACER
29	12090-322	1	PAD FOOT
33	12102-330	1	INSERT INCREMENT WEIGHT
34	12210-347	2	CAP GUIDE ROD
35	12210-348	2	CAP GUIDE ROD
42	20000-650	1	HOLDER, WATER BOTTLE
46	21000-007	1	TOP WEIGHT ASSY 10
47	21000-350	2	WT ROD .625 X 48.22
51	21000-450	1	BOTTOM TRAY
52	21000-451	1	MOUNT, FRONT
53	21000-452	1	MOUNT, BACK
58	21000-465	1	SPACER
59	21000-580	1	EXTRUSION, INC WT CHANNEL
60	21000-471	1	EXTRUSION, OUTER CHANNEL
61	21000-472	1	EXTRUDED GUARD
62	21000-473	1	EXTRUSION, OUTER CHANNEL (RH HOLES)
66	21060-200	1	W MAIN FRAME Custom
77	BS070208	1	COMP SPRING .396 ID X .480 OD X 1.50 LG
79	CM000211	1	DECAL PATENT

Ref #	Part Number	Qty	Description
87	GP000209	2	PULLEY ASSEMBLY-3.50
93	HC700428	1	BHSCS .375-16 X 2.25
101	HN704901	2	LOCKNUT .375-16 NYLON
104	HT512517	1	TAP SC 10-24 X 1.00 TYPE WB PN HD PHIL BLK
105	HT512522	1	TAP SC 10-24 X 1.50 TYPE WB PN
107	HT542514	4	TAP SC NO 8-32 X .625 A PHIL
111	HT552515	8	TAP SC NO. 8-16 X .75 PLASTITE PN HD PHIL BLK
136	11040-572	6	GUARD INCREMENT WEIGHT
137	11040-578	6	GUARD, INCREMENT WEIGHT
138,2	11040-030	12	INCREMENT WEIGHT S/A
NA	CM000202	1	

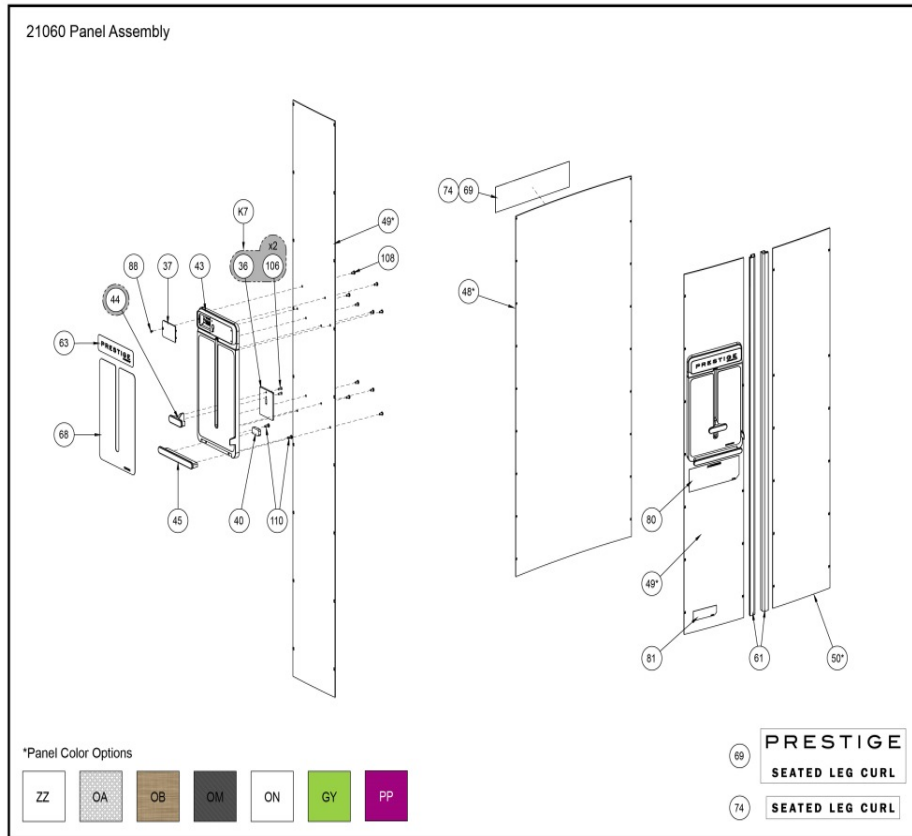
21060\_Input\_Arm\_Assembly



Ref #	Part Number	Qty	Description
1	08229	1	P PIN DETENT
5	11040-440	1	KNOB
12	12050-343	1	WASHER
13	12050-355	1	DECAL ROTATION
20	12060-211	1	W INPUT ARM Custom
21	12060-212	1	W CUSHION ARM Custom
24	12060-336	1	P DETENT PLATE
25	12060-346	1	PIN PIVOT
27	12060-356	1	DECAL ADJUSTING
30	12100-303	2	BUMPER
75	8500-025	1	DECAL CAUTION Custom
76	BS070201	1	COM SPRING .56 ID X .66 OD X 1.50 LG
84	FB130212	1	BUSHING FLANGE FOOTPLATE.75ID
90	HC622820	2	SHCS .250-20 X 1.25
91	HC700415	2	BHSCS .375-16 X .75
98	HH320030	1	KEY .313 SQ X 2.50
100	HN625200	2	LOCKNUT .250-20 NYLON HVY
102	HS307601	2	WASH FLAT .281 .500 .062 T
117	JC780417	1	BHSCS .500-13 X 1.00
120	PP130002	2	INSERT DOMED PLASTIC
121	PP130003	1	INSERT PLASTIC
125	YA000201	1	ADH THRD LKR REM .02 OZ 242

<b>Ref #</b>	<b>Part Number</b>	<b>Qty</b>	<b>Description</b>
127	YG000002	1	NLA: Please use Lithium Grease
141	HS347700	2	WASHER USS .375

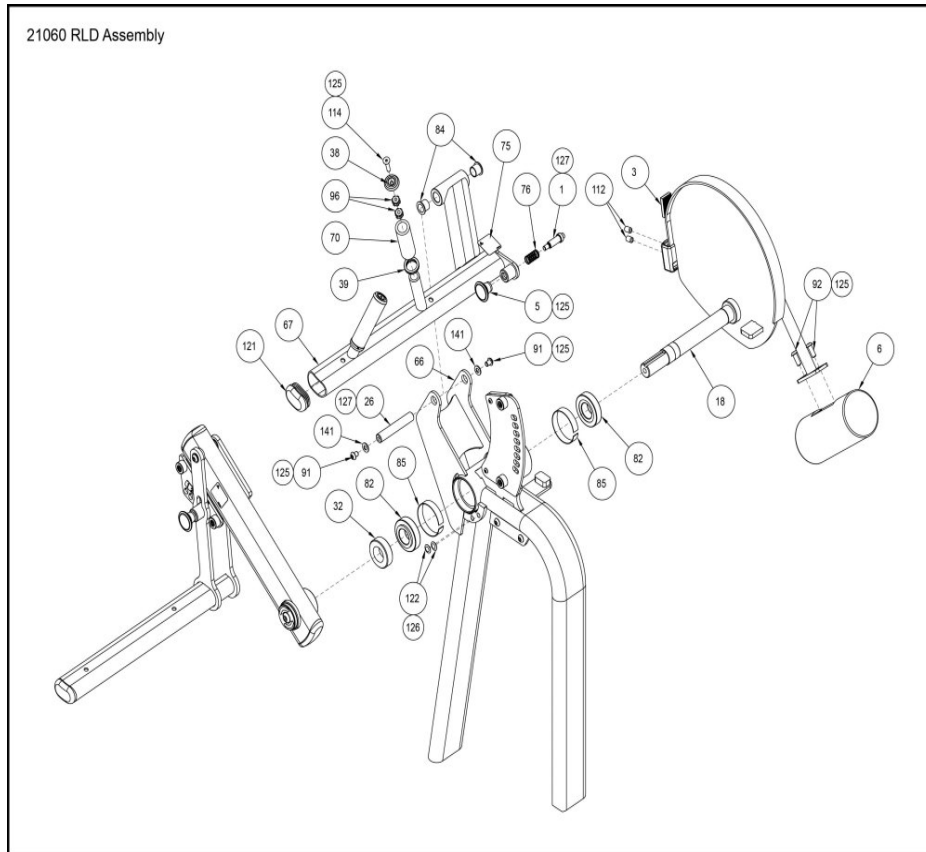
## 21060\_Panel\_Assembly



Ref #	Part Number	Qty	Description
K7	20000K007	1	KIT, CLAMP BAR REPLACEMENT
36	20000-483	1	WEIGHT PLATE
37	20000-524	1	COVER PLATE
40	20000-560	1	BUMPER
43	20000-652	1	PANEL, PLACARD
44	20000-662	1	CLAMP BAR
45	20000-655	1	BOTTOM TAB
48	21000-440OB	1	BACK PANEL BALI
48	21000-440PP	1	BACK PANEL, PLANET FITNESS PURPLE
48	21000-440OA	1	BACK PANEL ASPEN
48	21000-440GY	1	BACK PANEL, YOUFIT GREEN
48	21000-440ON	1	BACK PANEL
48	21000-440OM	1	BACK PANEL MORACO
48	21000-440ZZ	1	BACK PANEL
49	21000-441GY	1	FRONT PANEL (MEDIA CENTER), YOUFIT GREEN
49	21000-441OA	1	FRONT PANEL (MEDIA CENTER) ASPEN
49	21000-441OM	1	FRONT PANEL (MEDIA CENTER) MORACO
49	21000-441ZZ	1	FRONT PANEL (MEDIA CENTER)
49	21000-441ON	1	FRONT PANEL (MEDIA CENTER)
49	21000-441OB	1	FRONT PANEL (MEDIA CENTER) BALI
49	21000-441PP	1	FRONT PANEL, PLANET FITNESS PURPLE
50	21000-442PP	1	FRONT PANEL, PLANET FITNESS PURPLE

Ref #	Part Number	Qty	Description
50	21000-442OM	1	FRONT PANEL MORACO
50	21000-442OA	1	FRONT PANEL ASPEN
50	21000-442GY	1	FRONT PANEL
50	21000-442ZZ	1	FRONT PANEL
50	21000-442ON	1	FRONT PANEL
50	21000-442OB	1	FRONT PANEL BALI
61	21000-472	2	EXTRUDED GUARD
63	21000-556	1	MEDIA CENTER DECAL
68	21060-598	1	Placard Prestige Seat Leg Custom
69	21060-700	1	DECAL, SEATED LEG CURL
69	21060-701	1	DECAL, SEATED LEG CURL
74	20060-703	1	DECAL, SEATED LEG CURL, BLACK
74	20060-704	1	DECAL, SEATED LEG CURL, SILVER
80	DE000023	1	Decal Warning Custom
81	DE000025	1	NLA: DECAL, MADE IN U.S.A.
88	HC041008	1	SCREW, FH PHILL. #4 X .250 TYPE AB
106	HT532712	2	FLAT HEAD PHILLIPS #6 X .500 LG TYPE AB
108	HT552509	10	TAP SC NO 8-16 X .31 PLASTITE PN HD PHIL
110	HT552512	2	TAP SC NO. 8-16 X .50 PLASTITE PAN HEAD PHILLIPS BLACK

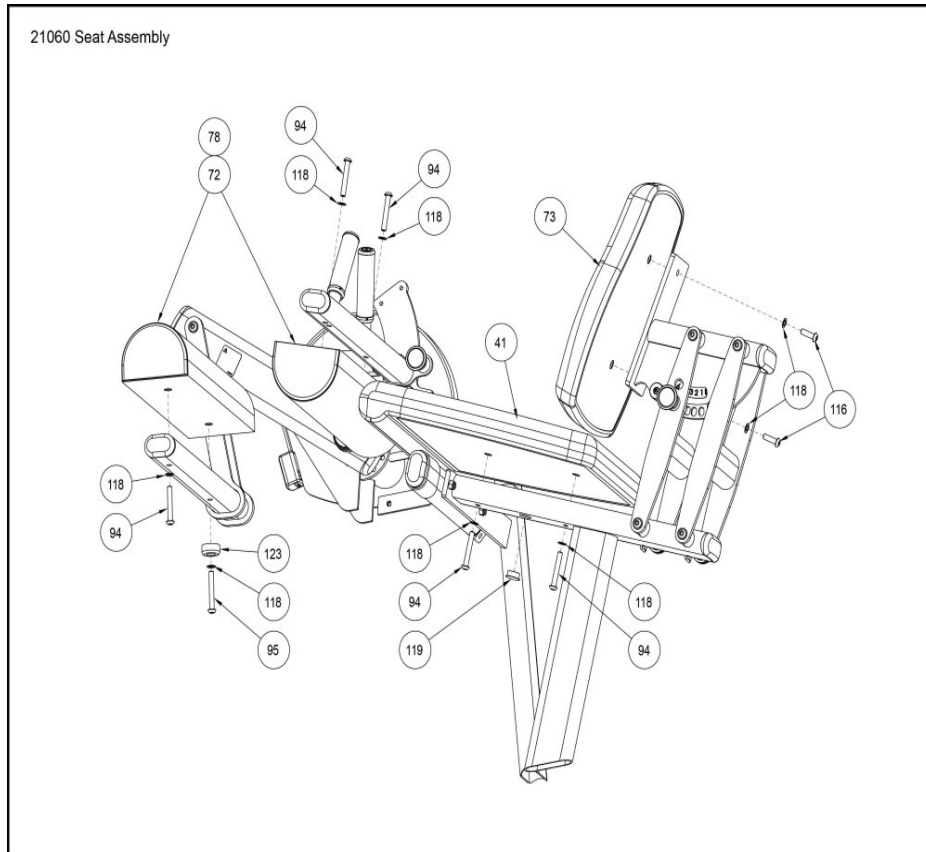
21060\_RLD\_Assembly



Ref #	Part Number	Qty	Description
1	08229	1	P PIN DETENT
3	11040-301	1	INSERT CLAMP BLOCK
5	11040-440	1	KNOB
6	11100-363	1	C/COUNTERWEIGHT
18	12060-209	1	W CAM Custom
26	12060-347	1	PIN PIVOT
32	12101-300	1	SPACER
38	20000-525	2	TRIM RING
39	20000-526	2	TRIM RING
66	21060-200	1	W MAIN FRAME Custom
67	21060-206	1	W CUSHION PIVOT Custom
70	4605-514	2	GRAB GRIP 4.50
75	8500-025	1	DECAL CAUTION Custom
76	BS070201	1	COM SPRING .56 ID X .66 OD X 1.50 LG
82	FB030249	2	BEARING RADIAL 35MM EXT RACE
84	FB130212	2	BUSHING FLANGE FOOTPLATE.75ID
85	FC030009	2	TOLERANCE RING 72MM
91	HC700415	2	BHSCS .375-16 X .75
92	HC700417	2	BHSCS .375-16 X 1.00
96	HF449066	4	INSERT 3/4 X 5/16-18 UNC
112	HY740000	2	SET SCREW
114	JC661000	2	FHSCS .312-18 X 1.75 LONG

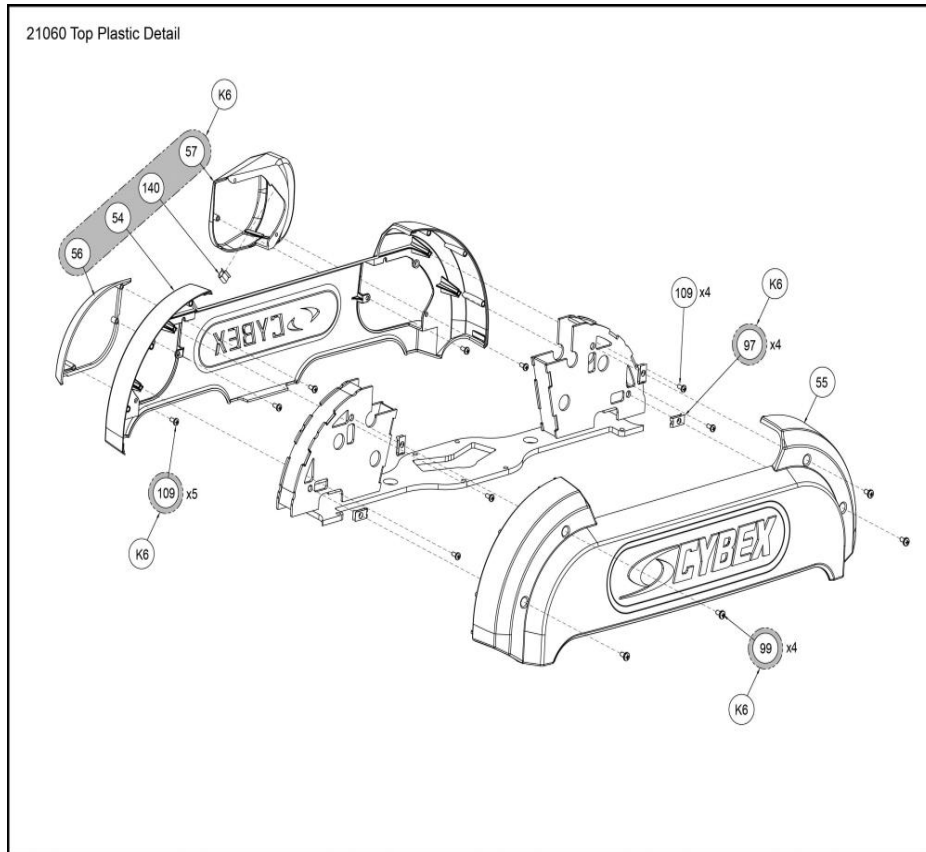
Ref #	Part Number	Qty	Description
121	PP130003	1	INSERT PLASTIC
122	PP660006	2	PLUG SNAP IN
125	YA000201	1	ADH THRD LKR REM .02 OZ 242
126	YA000222	1	ADH BNDG CYANOACRYLATE
127	YG000002	1	NLA: Please use Lithium Grease
141	HS347700	2	WASHER USS .375

21060\_Seat\_Assembly



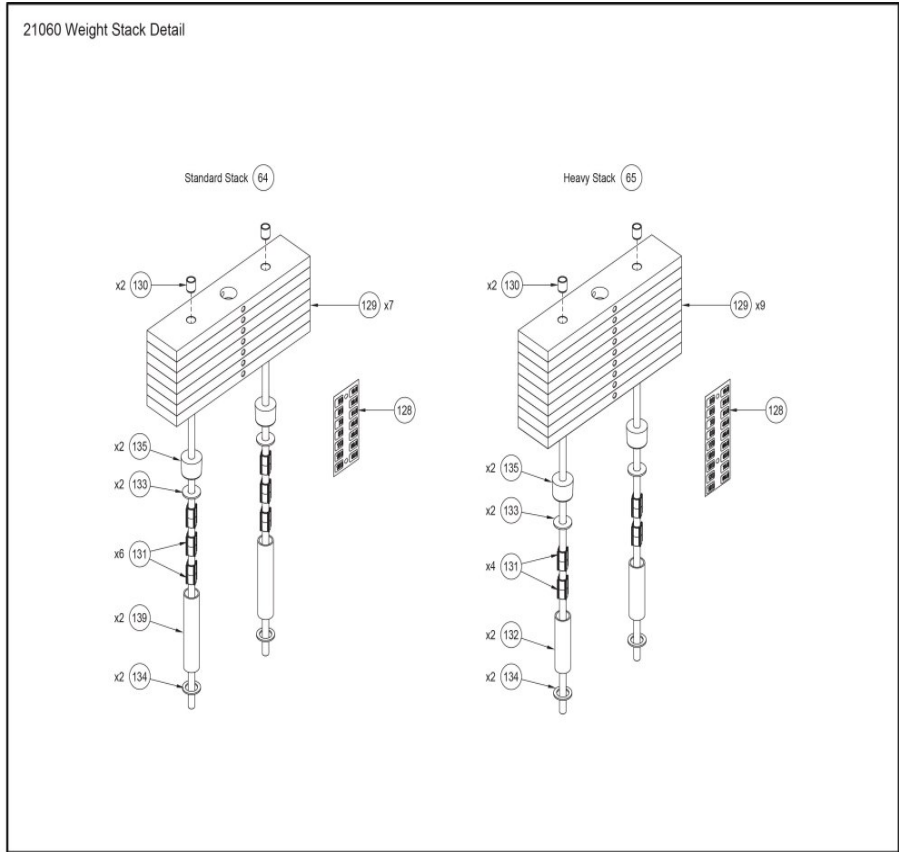
Ref #	Part Number	Qty	Description
41	20000-625	1	CUSHION ASSEMBLY SEAT 20.12 X Custom
72	4800-196	2	COVERED CUSHION AS CONTOUR 20 Custom
73	4800-464	1	CUSHION SA BACK 18" MOLDED Custom
78	4800-199	2	WEAR COVER CS Custom
94	HC700430	6	BHSCS .375-16 X 2.50
95	HC700432	1	BHSCS .375-16 X 2.75
116	JC700420	2	BHSCS .375-16 X 1.25
118	JS347400	8	LOCKWASHER INT TOOTH .375
119	PN660200	1	INSERT PLASTIC 1.00 DIA-11 GA
123	PR060003	1	BUMPER RECESS

21060\_Top\_Plastic\_Detail



Ref #	Part Number	Qty	Description
K6	21000K041	1	KIT, PRESTIGE TOP CAP (LH EXIT)
54	21000-454	1	TOP CAP, FRONT
55	21000-455	1	TOP CAP, REAR
56	21000-460	1	TOP CAP INSERT RH
57	21000-462	1	PULLEY COVER ASSEMBLY LH
97	HF579000	4	PANEL FASTENER 10-24 U TYPE
99	HJ582510	4	SEMS 10-32 X .38
109	HT552511	9	TAP SC #8-16 X .38 TAP BLACK PLASTITE
140	HF009000	1	SPEED CLIP U-TYPE

21060\_Weight\_Stack\_Detail



Ref #	Part Number	Qty	Description
64	21010-020	1	
65	21010-021	1	
128	12000-560	1	DECAL WT PLATE (30-290)
129	4000C101	1	C STACK WT 4X18
130	FB130216	2	Bushing Weight Stack
131	12210-352	6	INSERT PLASTIC
132	12210-359	2	TUBE SPACER
133	HS760106	2	WASH FLAT 1.750 .688 .140 T
134	JS497600	2	WASHER 1.19 ID X 1.75 OD X .12 THK
135	PR060005	2	BUMPER WEIGHT
139	21010-343	2	SPACER TUBE

