

Prestige Back Extension Total RLD

21102-10

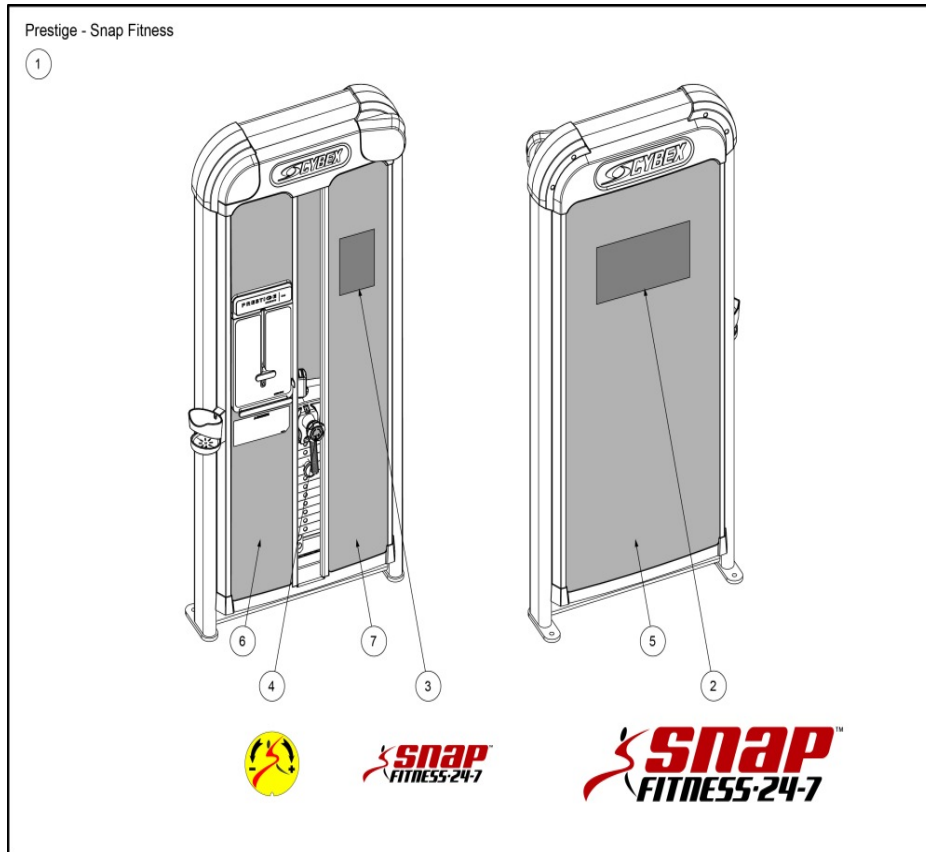
Parts Manual

1/5/2019 4:22:04 AM

Table of Contents

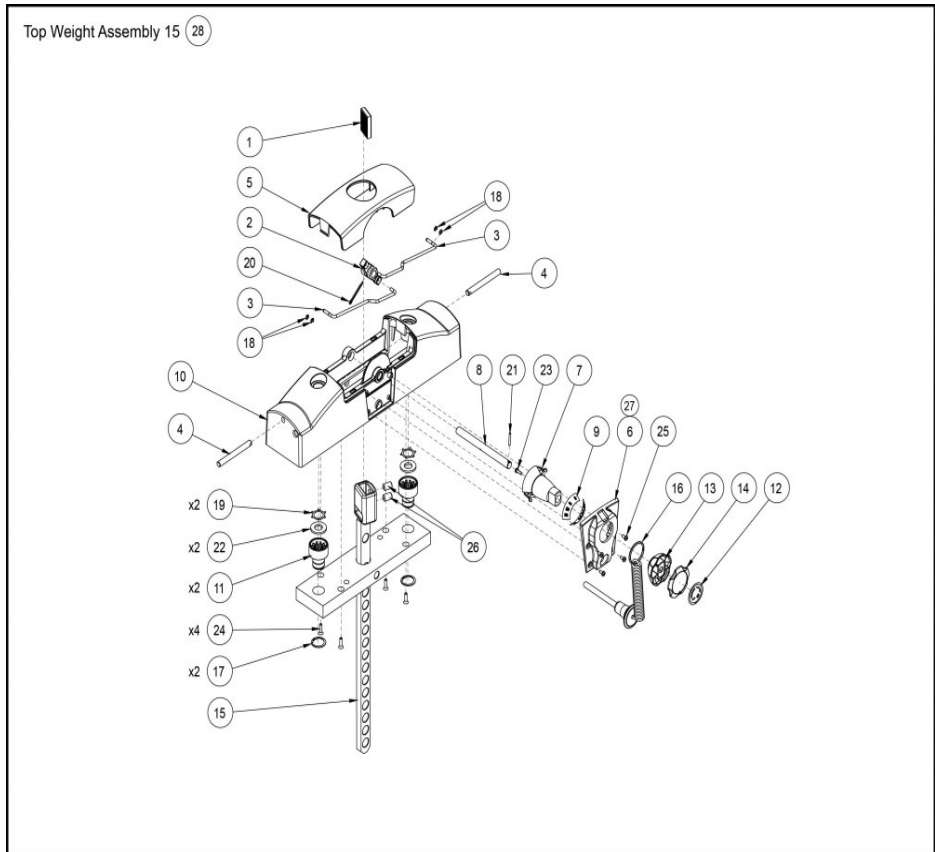
Prestige - Snap Fitness.....	3
Top Weight Assembly 15 21000-012.....	4
21100 Belt Routing.....	6
21100 Cam Assembly.....	7
21100 Cushion Assembly.....	8
21100 Foot Rest Assembly.....	9
21100 Frame Assembly.....	10
21100 Panel Assembly.....	12
21100 RLD Stop Assembly.....	14
21100 Top Plastic Detail.....	15
21100 Weight Stack Detail.....	16
21101-02 RLD Stop Assembly.....	17
21102 Total RLD.....	18

Prestige - Snap Fitness



Ref #	Part Number	Qty	Description
1	21010-025OS	1	SNAP PANEL INSERT ASSEMBLY
2	21000-409	1	DECAL, SNAP FITNESS 14.00
3	21000-408	1	DECAL, SNAP FITNESS 6.00
4	12000-424	1	Decal Snap Fitness Rotation
5	21000-440ON	1	BACK PANEL
6	21000-441ON	1	FRONT PANEL (MEDIA CENTER)
7	21000-442ON	1	FRONT PANEL

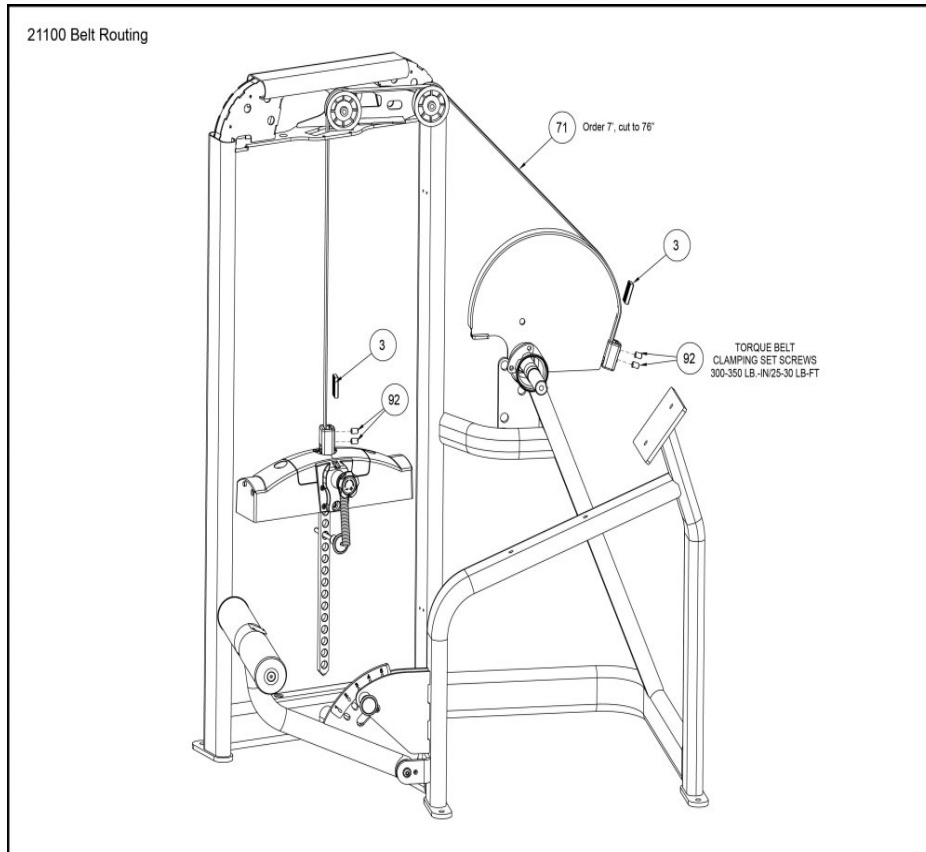
Top_Weight_Assembly_15_21000-012



Ref #	Part Number	Qty	Description
1	11040-301	1	INSERT CLAMP BLOCK
2	11040-367	1	HUB MOLDED
3	11040-369	2	ROD LINKAGE
4	11040-370	2	PIN
5	11040-416	1	COVER TOP WEIGHT
6	11040-424	1	COVER PLATE
7	11040-426	1	STEM
8	11040-427	1	ROD
9	11040-428	1	DECAL ADJUSTMENT
10	11050-366	1	TOP WT ASSY, MOLDED
11	13000-364	2	BEARING FLNG .62 ID X .92 OD X 1.75 LG
12	20000-429	1	ROTATION DECAL
13	20000-476	1	KNOB, BASE
14	20000-477	1	KNOB
15	21000-232	1	C LIFTING POST 15
16	BH030207	1	PIN WEIGHT SELECTOR
17	BR030206	2	RETAINING RING
18	BR030209	4	RETAINING RING .188
19	BR030220	2	RETAINING RING 1.250 INTERNAL
20	HP016820	1	COTTER PIN .125 X 1.25
21	HP266765	1	ROLL PIN .125 X .938
22	HS720004	2	WASHER FELT .641 ID X 1.250 OD X .125 T

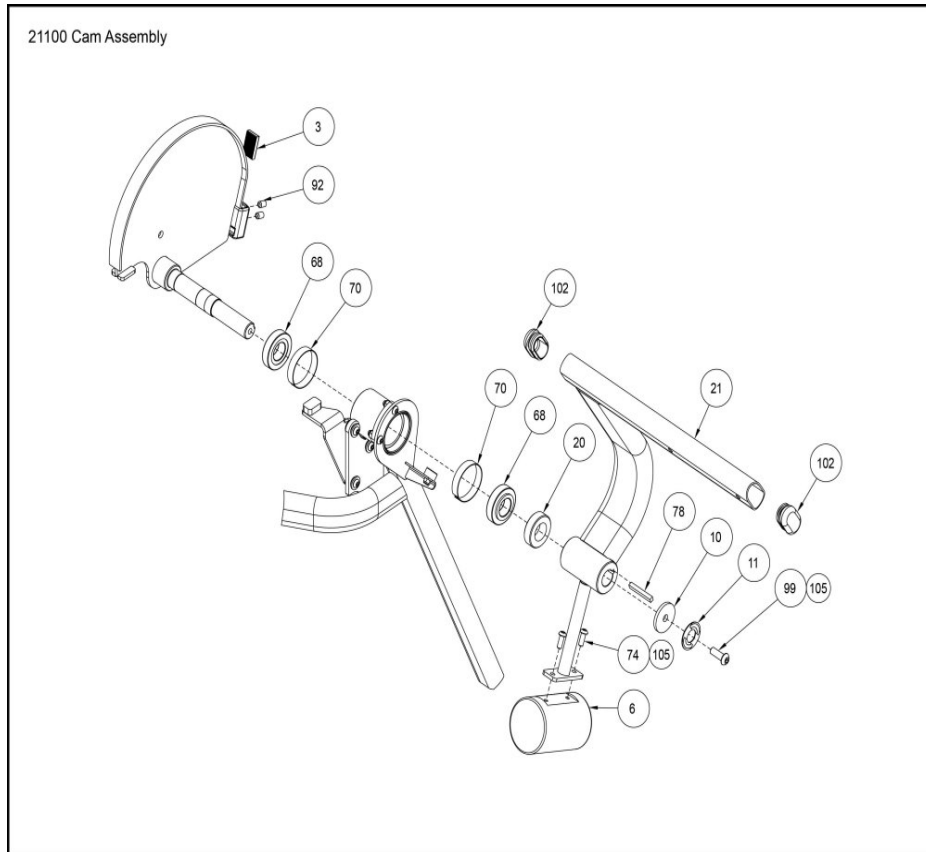
Ref #	Part Number	Qty	Description
23	HT552512	1	TAP SC NO. 8-16 X .50 PLASTITE PAN HEAD PHILLIPS BLACK
24	HT562715	4	TAP SC NO 10 X .750 F PHIL
25	HT582510	4	TAP SC NO 10 X .375 PN HD PHIL
26	HY740000	2	SET SCREW
28	21000-012	1	TOP WEIGHT ASSY 15

21100_Belt_Routing



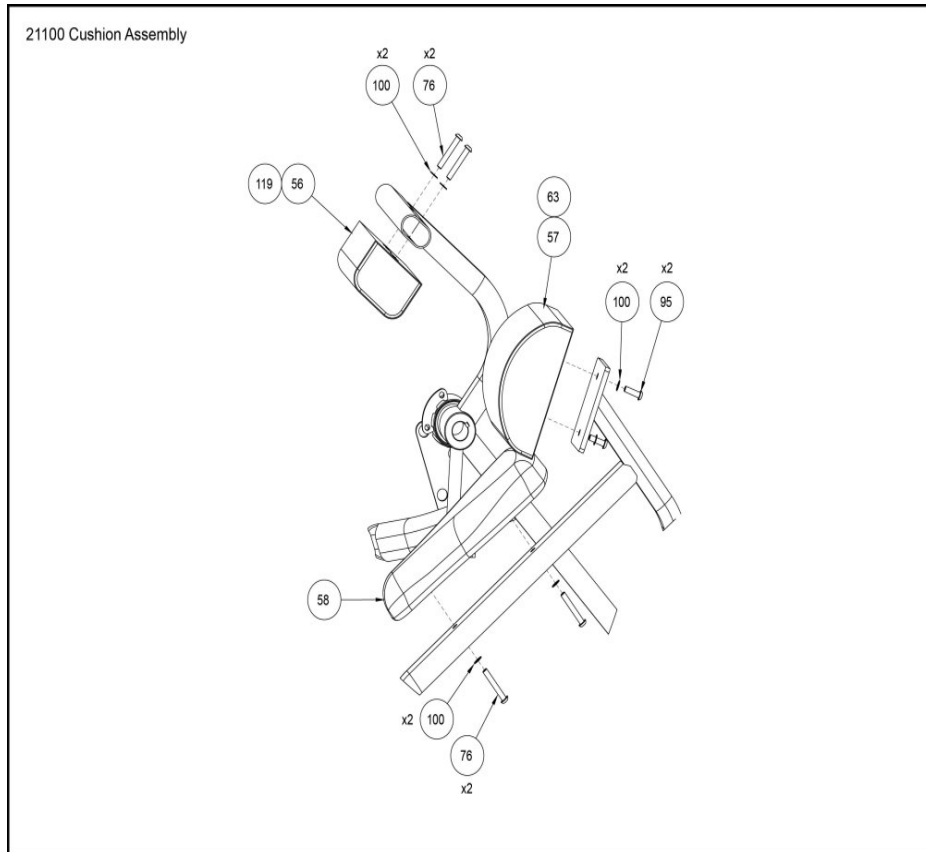
Ref #	Part Number	Qty	Description
3	11040-301	2	INSERT CLAMP BLOCK
71	GB000202	7	BELT .95 WIDE
92	HY740000	4	SET SCREW

21100_Cam_Assembly



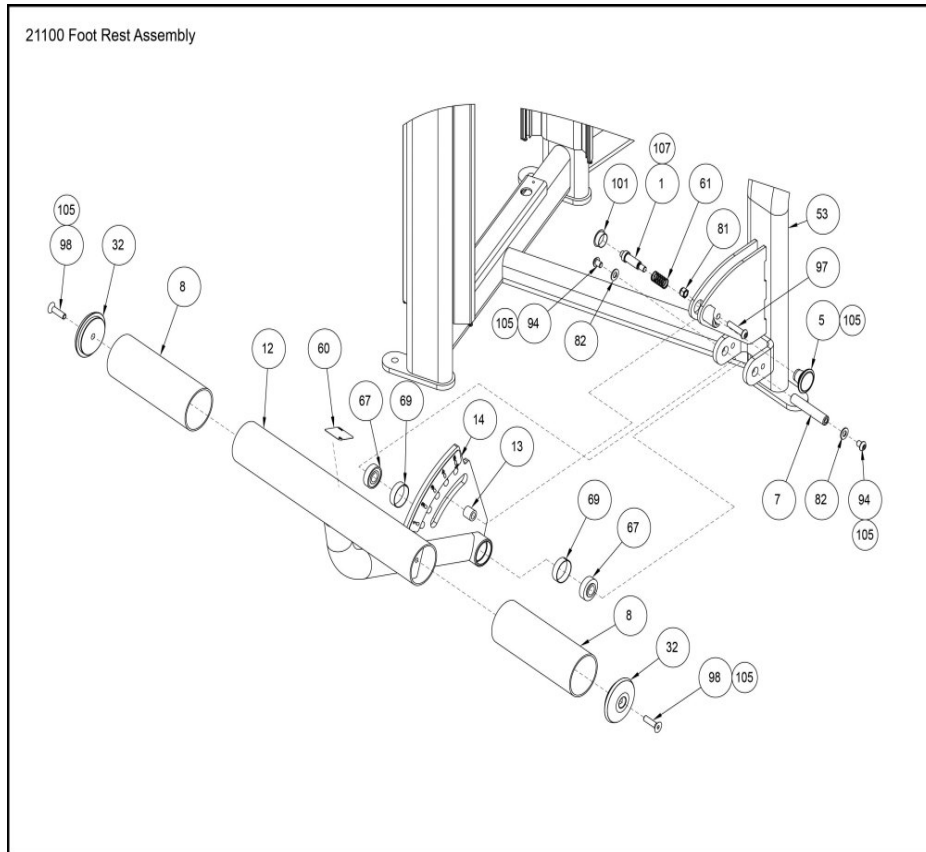
Ref #	Part Number	Qty	Description
3	11040-301	1	INSERT CLAMP BLOCK
6	11070-332	1	C COUNTERWEIGHT
10	12050-343	1	WASHER
11	12050-355	1	DECAL ROTATION
20	12101-300	1	SPACER
21	12102-204	1	W INPUT ARM Custom
68	FB030249	2	BEARING RADIAL 35MM EXT RACE
70	FC030009	2	TOLERANCE RING 72MM
74	HC700417	2	BHSCS .375-16 X 1.00
78	HH320030	1	KEY .313 SQ X 2.50
92	HY740000	2	SET SCREW
99	JC780422	1	BHSCS .500-13 X 1.50
102	PP130003	2	INSERT PLASTIC
105	YA000201	1	ADH THRD LKR REM .02 OZ 242

21100_Cushion_Assembly



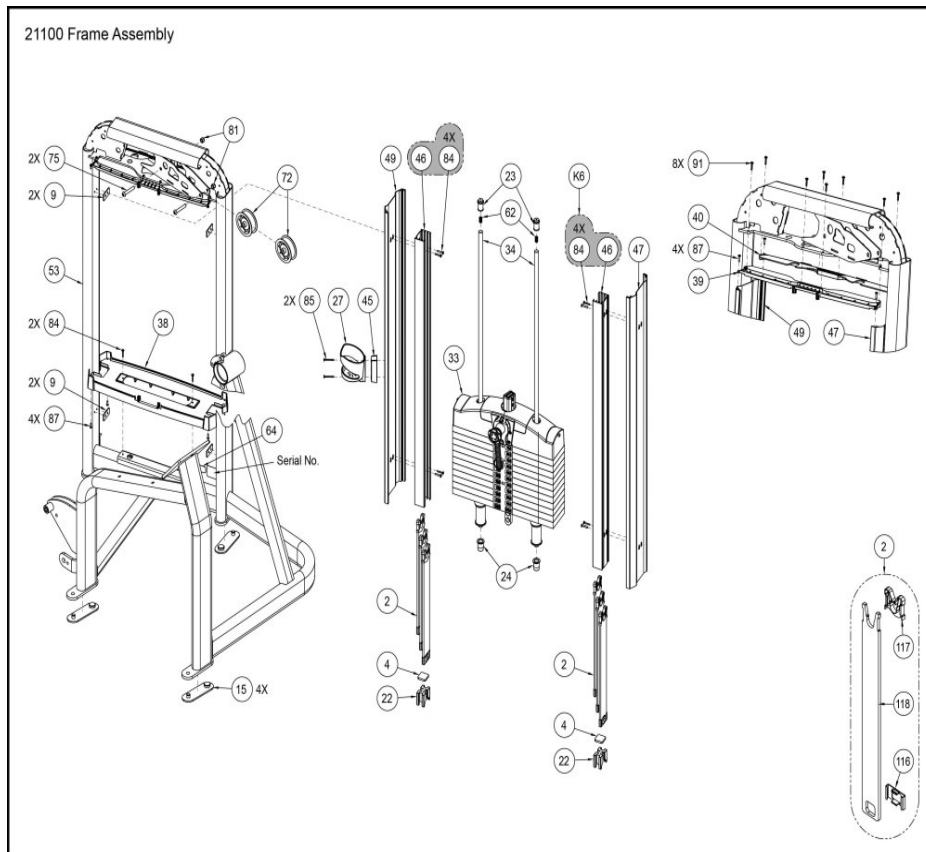
Ref #	Part Number	Qty	Description
56	4800-014	1	COVERED CUSHION SA 4.50 X 14 Custom
57	4800-127	1	COVERED CUSHION SA CONTOUR 9 X 14 Custom
58	4800-172	1	CUSHION SA BIKE 15in MOLDED Custom
63	4800-130	1	WEAR COVER SA CONTOUR 9 X 14 Custom
76	HC700430	4	BHSCS .375-16 X 2.50
95	JC700420	4	BHSCS .375-16 X 1.25
100	JS347400	2	LOCKWASHER INT TOOTH .375
119	4800-094	1	WEAR COVER SA 4.5 X 14 Custom

21100_Foot_Rest_Assembly



Ref #	Part Number	Qty	Description
1	08229	1	P PIN DETENT
5	11040-440	1	KNOB
7	11080-337	1	SHAFT PIVOT
8	11090-400	2	GRIP 8.75
12	12090-202	1	W FOOT REST Custom
13	12090-306	1	SPACER
14	12090-312	1	DECAL FOOT REST ADJUST
32	20030-347	2	END CAP
53	21100-200	1	W FRAME Custom
60	8500-025	1	DECAL CAUTION Custom
61	BS070201	1	COM SPRING .56 ID X .66 OD X 1.50 LG
67	FB030232	2	BRG RADIAL 17MM ID EXT RACE
69	FC030006	2	TOLERANCE RING 1.575 ID
81	HN704901	1	LOCKNUT .375-16 NYLON
82	HS347600	2	WASHER SAE .375
94	JC700412	2	BHSCS .375-16 X .50
97	JC700424	1	BHSCS .375-16 X 1.75
98	JC700922	2	FHSCS .375-16 X 1.50
101	PN660200	1	INSERT PLASTIC 1.00 DIA-11 GA
105	YA000201	1	ADH THRD LKR REM .02 OZ 242

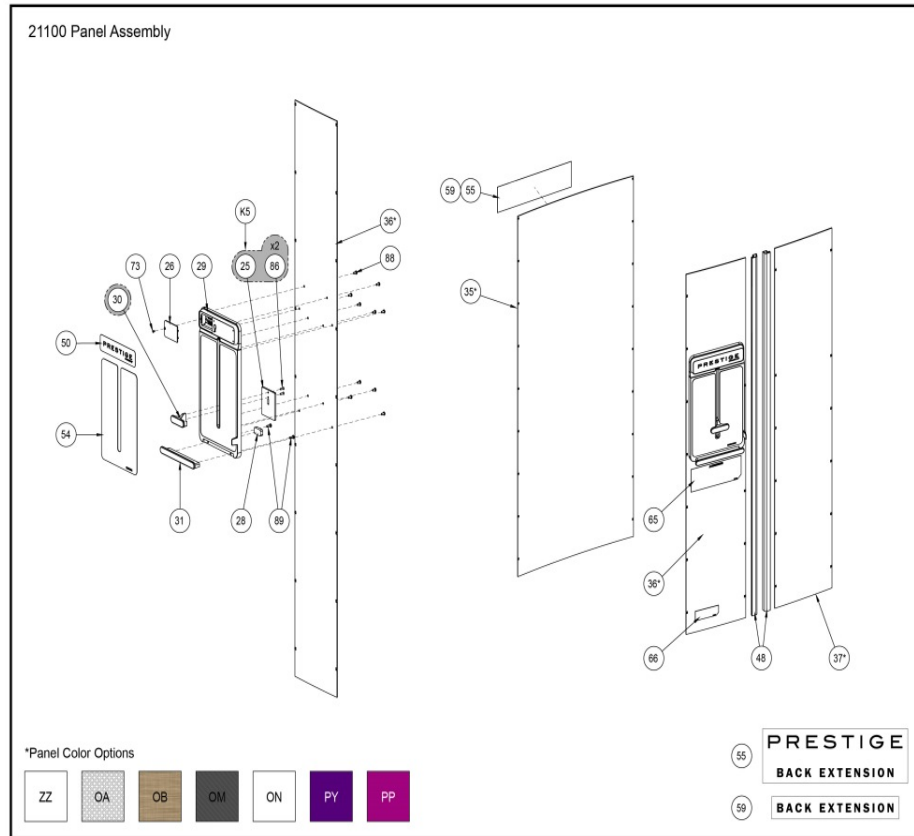
21100_Frame_Assembly



Ref #	Part Number	Qty	Description
4	11040-409	2	BUMPER
			KIT, SHORT INC WT CHANNEL REPLACEMENT
K6	21000K002	1	(PRESTIGE)
9	12000-398	2	SPACER
15	12090-322	4	PAD FOOT
22	12102-330	2	INSERT INCREMENT WEIGHT
23	12210-347	2	CAP GUIDE ROD
24	12210-348	2	CAP GUIDE ROD
27	20000-650	1	HOLDER, WATER BOTTLE
33	21000-012	1	TOP WEIGHT ASSY 15
34	21000-350	2	WT ROD .625 X 48.22
38	21000-450	1	BOTTOM TRAY
39	21000-451	1	MOUNT, FRONT
40	21000-452	1	MOUNT, BACK
45	21000-465	1	SPACER
46	21000-580	1	EXTRUSION, INC WT CHANNEL
47	21000-471	1	EXTRUSION, OUTER CHANNEL
49	21000-474	1	EXTRUSION, OUTER CHANNEL (LH HOLES)
53	21100-200	1	W FRAME Custom
62	BS070208	1	COMP SPRING .396 ID X .480 OD X 1.50 LG
64	CM000211	1	DECAL PATENT
72	GP000209	2	PULLEY ASSEMBLY-3.50

Ref #	Part Number	Qty	Description
75	HC700428	2	BHSCS .375-16 X 2.25
81	HN704901	2	LOCKNUT .375-16 NYLON
84	HT512517	2	TAP SC 10-24 X 1.00 TYPE WB PN HD PHIL BLK
85	HT512522	2	TAP SC 10-24 X 1.50 TYPE WB PN
87	HT542514	4	TAP SC NO 8-32 X .625 A PHIL
91	HT552515	8	TAP SC NO. 8-16 X .75 PLASTITE PN HD PHIL BLK
116	11040-572	6	GUARD INCREMENT WEIGHT
117	11040-578	6	GUARD, INCREMENT WEIGHT
118,2	11040-030	12	INCREMENT WEIGHT S/A
-	CM000202	1	

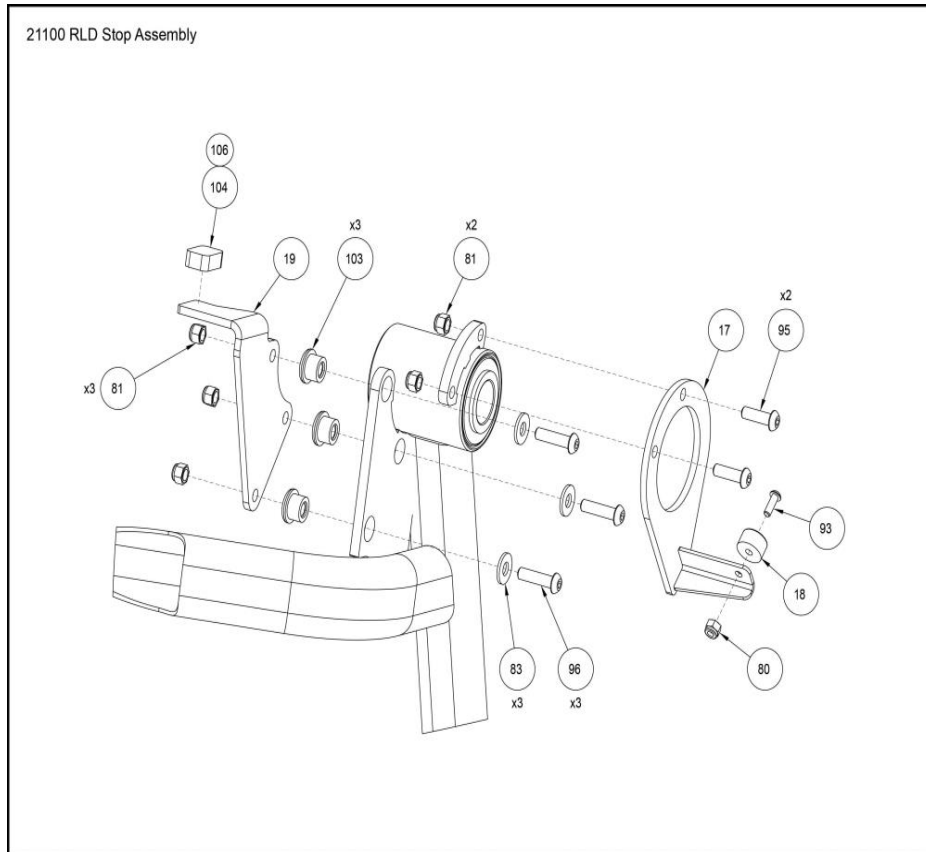
21100_Panel_Assembly



Ref #	Part Number	Qty	Description
K5	20000K007	1	KIT, CLAMP BAR REPLACEMENT
25	20000-483	1	WEIGHT PLATE
26	20000-524	1	COVER PLATE
28	20000-560	1	BUMPER
29	20000-652	1	PANEL, PLACARD
30	20000-662	1	CLAMP BAR
31	20000-655	1	BOTTOM TAB
35	21000-440OM	1	BACK PANEL MORACO
35	21000-440OB	1	BACK PANEL BALI
35	21000-440ON	1	BACK PANEL
35	21000-440PY	1	BACK PANEL, YOUFIT PURPLE
35	21000-440ZZ	1	BACK PANEL
35	21000-440PP	1	BACK PANEL, PLANET FITNESS PURPLE
35	21000-440OA	1	BACK PANEL ASPEN
36	21000-441PP	1	FRONT PANEL, PLANET FITNESS PURPLE
36	21000-441OA	1	FRONT PANEL (MEDIA CENTER) ASPEN
36	21000-441PY	1	FRONT PANEL (MEDIA CENTER), YOUFIT PURPLE
36	21000-441ON	1	FRONT PANEL (MEDIA CENTER)
36	21000-441OM	1	FRONT PANEL (MEDIA CENTER) MORACO
36	21000-441ZZ	1	FRONT PANEL (MEDIA CENTER)
36	21000-441OB	1	FRONT PANEL (MEDIA CENTER) BALI
37	21000-442OA	1	FRONT PANEL ASPEN

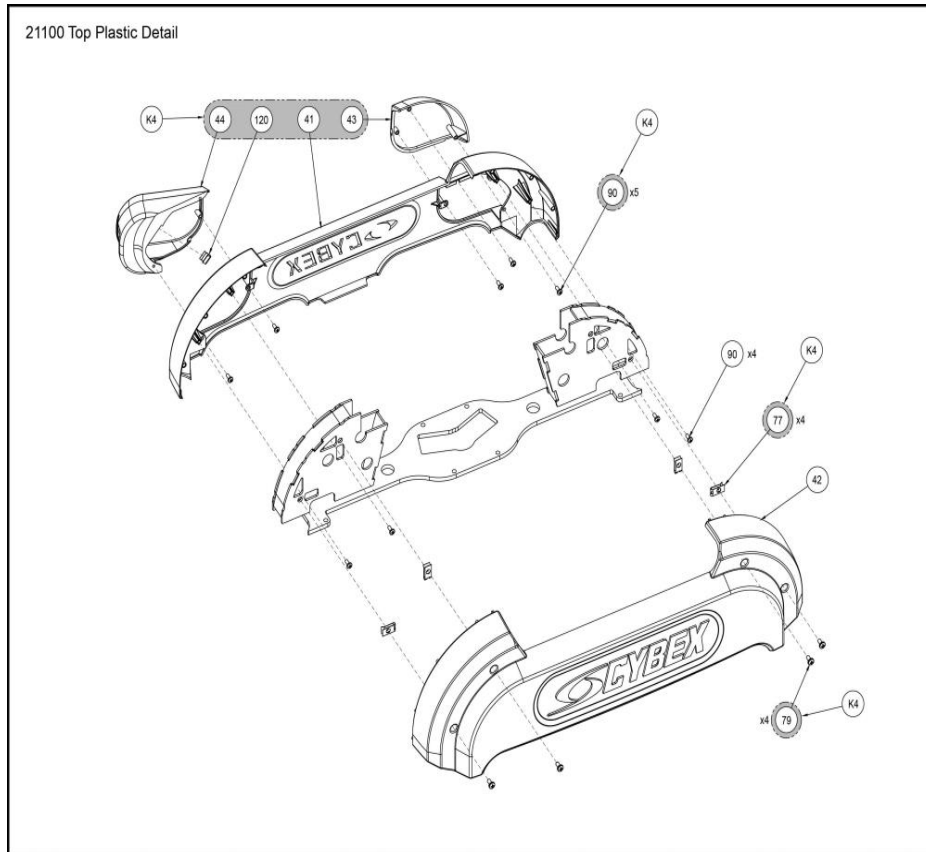
Ref #	Part Number	Qty	Description
37	21000-442OM	1	FRONT PANEL MORACO
37	21000-442ZZ	1	FRONT PANEL
37	21000-442ON	1	FRONT PANEL
37	21000-442OB	1	FRONT PANEL BALI
37	21000-442PY	1	FRONT PANEL
37	21000-442PP	1	FRONT PANEL, PLANET FITNESS PURPLE
48	21000-472	2	EXTRUDED GUARD
50	21000-556	1	MEDIA CENTER DECAL
54	21100-598	1	Placard Prestige Back Ext Custom
55	21100-700	1	DECAL, BACK EXTENSION
55	21100-701	1	DECAL, BACK EXTENSION
59	20100-704	1	DECAL, BACK EXTENSION, SILVER
59	20100-703	1	DECAL, BACK EXTENSION, BLACK
65	DE000023	1	Decal Warning Custom
66	DE000025	1	NLA: DECAL, MADE IN U.S.A.
73	HC041008	1	SCREW, FH PHILL. #4 X .250 TYPE AB
86	HT532712	2	FLAT HEAD PHILLIPS #6 X .500 LG TYPE AB
88	HT552509	10	TAP SC NO 8-16 X .31 PLASTITE PN HD PHIL
89	HT552512	2	TAP SC NO. 8-16 X .50 PLASTITE PAN HEAD PHILLIPS BLACK

21100_RLD_Stop_Assembly



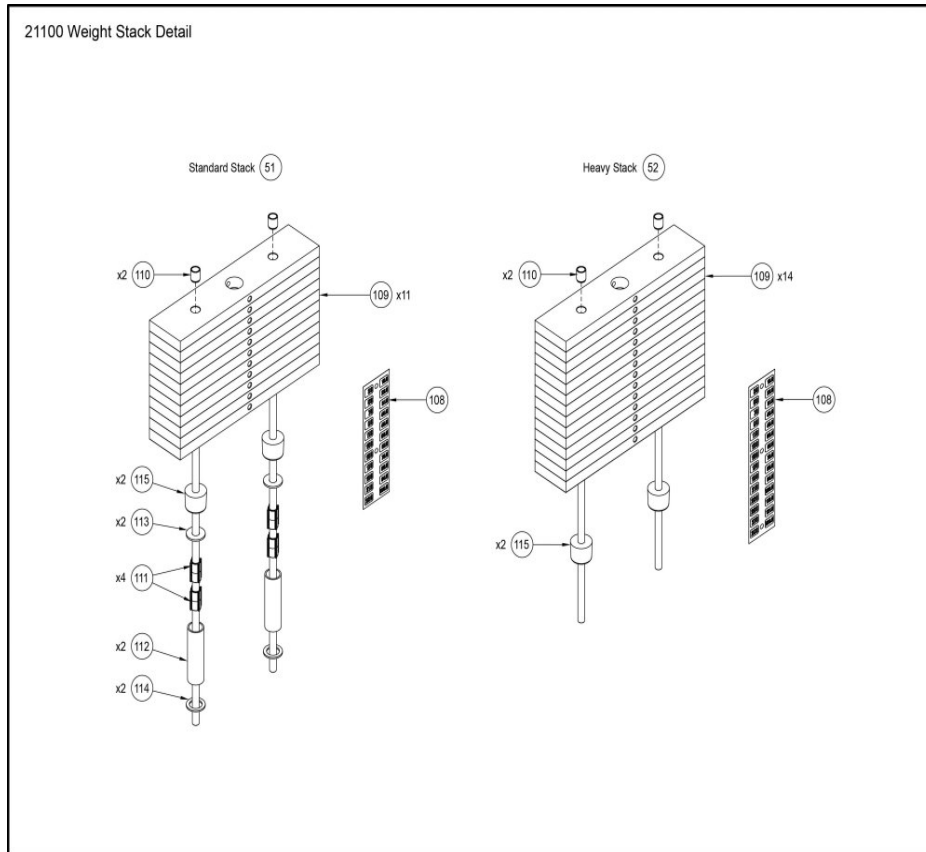
Ref #	Part Number	Qty	Description
17	12100-203	1	W INPUT STOP Custom
18	12100-303	1	BUMPER
19	12100-304	1	MOUNT BUMPER
80	HN625200	1	LOCKNUT .250-20 NYLON HVY
81	HN704901	2	LOCKNUT .375-16 NYLON
83	HS347700	3	WASHER USS .375
93	JC620415	1	BHSCS .250-20 X .75
95	JC700420	2	BHSCS .375-16 X 1.25
96	JC700422	3	BHSCS .375-16 X 1.50
103	PR740300	3	MOUNT CENTER BONDED
104	PU060201	1	BUMPER
106	YA000222	1	ADH BNDG CYANOACRYLATE

21100_Top_Plastic_Detail



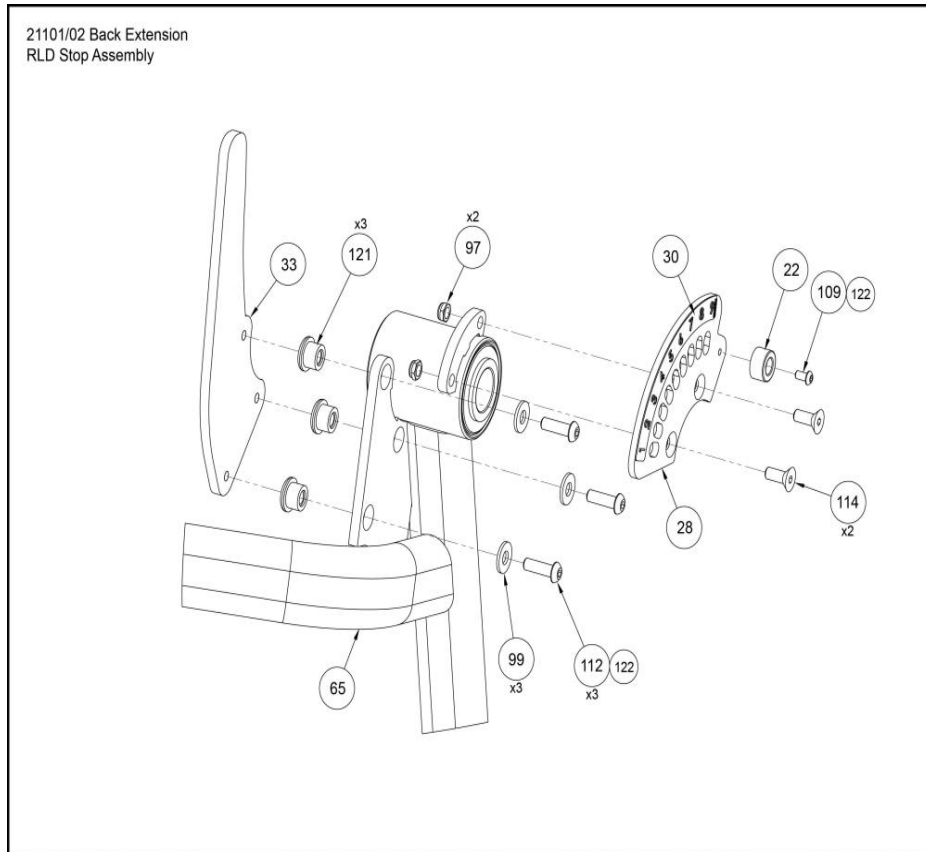
Ref #	Part Number	Qty	Description
K4	21000K040	1	KIT, PRESTIGE TOP CAP (RH EXIT)
41	21000-454	1	TOP CAP, FRONT
42	21000-455	1	TOP CAP, REAR
43	21000-457	1	TOP CAP INSERT LH
44	21000-459	1	PULLEY COVER ASSEMBLY RH
77	HF579000	4	PANEL FASTENER 10-24 U TYPE
79	HJ582510	4	SEMS 10-32 X .38
90	HT552511	9	TAP SC #8-16 X .38 TAP BLACK PLASTITE
120	HF009000	1	SPEED CLIP U-TYPE

21100_Weight_Stack_Detail



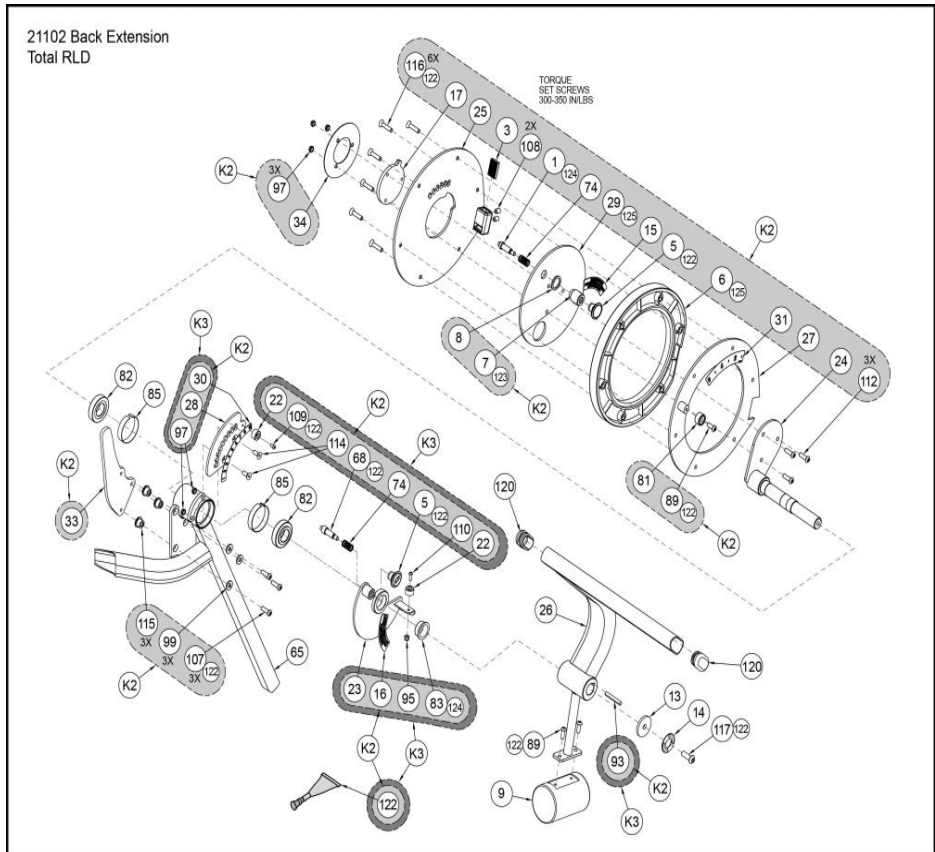
Ref #	Part Number	Qty	Description
51	21030-020	1	
52	21030-021	1	
108	12000-560	1	DECAL WT PLATE (30-290)
109	4000C101	1	C STACK WT 4X18
110	FB130216	2	Bushing Weight Stack
111	12210-352	4	INSERT PLASTIC
112	12210-359	2	TUBE SPACER
113	HS760106	2	WASH FLAT 1.750 .688 .140 T
114	JS497600	2	WASHER 1.19 ID X 1.75 OD X .12 THK
115	PR060005	2	BUMPER WEIGHT

21101-02_RLD_Stop_Assembly



Ref #	Part Number	Qty	Description
22	12100-203	1	W INPUT STOP Custom
28	12102-310	1	PLATE DETENT
30	12102-315	1	DECAL STOP RLD
33	12102-338	1	GUIDE CAM
65	21100-200	1	W FRAME Custom
97	HN704902	2	LOCKNUT NYLON .375-16
99	HS347700	3	WASHER USS .375
109	JC620412	1	BHSCS .250-20 X .50
112	JC700420	3	BHSCS .375-16 X 1.25
114	JC700917	2	FHSCS .375-16 X 1.00
121	PR740300	3	MOUNT CENTER BONDED
122	YA000201	1	ADH THRD LKR REM .02 OZ 242

21102_Total_RLD



Ref #	Part Number	Qty	Description
1	08229	1	P PIN DETENT
K2	12100K003	1	KIT NON TO TOTAL RLD
3	11040-301	1	INSERT CLAMP BLOCK
K3	12100K004	1	KIT START TO TOTAL RLD
5	11040-440	1	KNOB
6	11050-333	1	CAM
7	11050-407	1	RETAINER
8	11050-408	1	SPACER
9	11070-332	1	C COUNTERWEIGHT
13	12050-343	1	WASHER
14	12050-355	1	DECAL ROTATION
15	12050-377	1	DECAL START RLD Custom
16	12050-378	1	DECAL TOTAL RLD Custom
17	12050-379	1	PLATE MOUNTING- Custom
22	12100-303	2	BUMPER
23	12102-201	1	W STOP PLATE
24	12102-202	1	C PIVOT SHAFT
25	12102-203	1	W CAM PLATE RH
26	12102-204	1	W INPUT ARM Custom
27	12102-205	1	W CAM MOUNT
28	12102-310	1	PLATE DETENT
29	12102-313	1	PLATE ECCENTRIC

Ref #	Part Number	Qty	Description
30	12102-315	1	DECAL STOP RLD
31	12102-316	1	DECAL START CAM
34	12102-339	1	STOP GUARD
65	21100-200	1	W FRAME Custom
68	4505-329	1	PIN DETENT
74	BS070201	1	COM SPRING .56 ID X .66 OD X 1.50 LG
81	FB030239	1	CAM FOLLOWER 10 MM
82	FB030249	2	BEARING RADIAL 35MM EXT RACE
83	FB130213	1	BRG FLG 1.375 X 1.625 X .75 LG
85	FC030009	2	TOLERANCE RING 72MM
89	HC700417	2	BHSCS .375-16 X 1.00
93	HH320030	1	KEY .313 SQ X 2.50
95	HN625200	1	LOCKNUT .250-20 NYLON HVY
97	HN704902	2	LOCKNUT NYLON .375-16
99	HS347700	3	WASHER USS .375
107	HT552515	3	TAP SC NO. 8-16 X .75 PLASTITE PN HD PHIL BLK
108	HY740000	2	SET SCREW
109	JC620412	1	BHSCS .250-20 X .50
110	JC620415	1	BHSCS .250-20 X .75
112	JC700420	3	BHSCS .375-16 X 1.25
114	JC700917	2	FHSCS .375-16 X 1.00
115	JC700922	3	FHSCS .375-16 X 1.50
116	JC700924	6	FHSCS .375-16 X 1.75
117	JC780422	1	BHSCS .500-13 X 1.50
120	PP130003	2	INSERT PLASTIC
122	YA000201	1	ADH THRD LKR REM .02 OZ 242
123	YA000226	1	LOCTITE 680 .5 ML
125	YL000200	1	LUBRICANT TEFLON 3 OZ TUBE

