

# Prestige Fly Rear Delt

21110-10

## Parts Manual

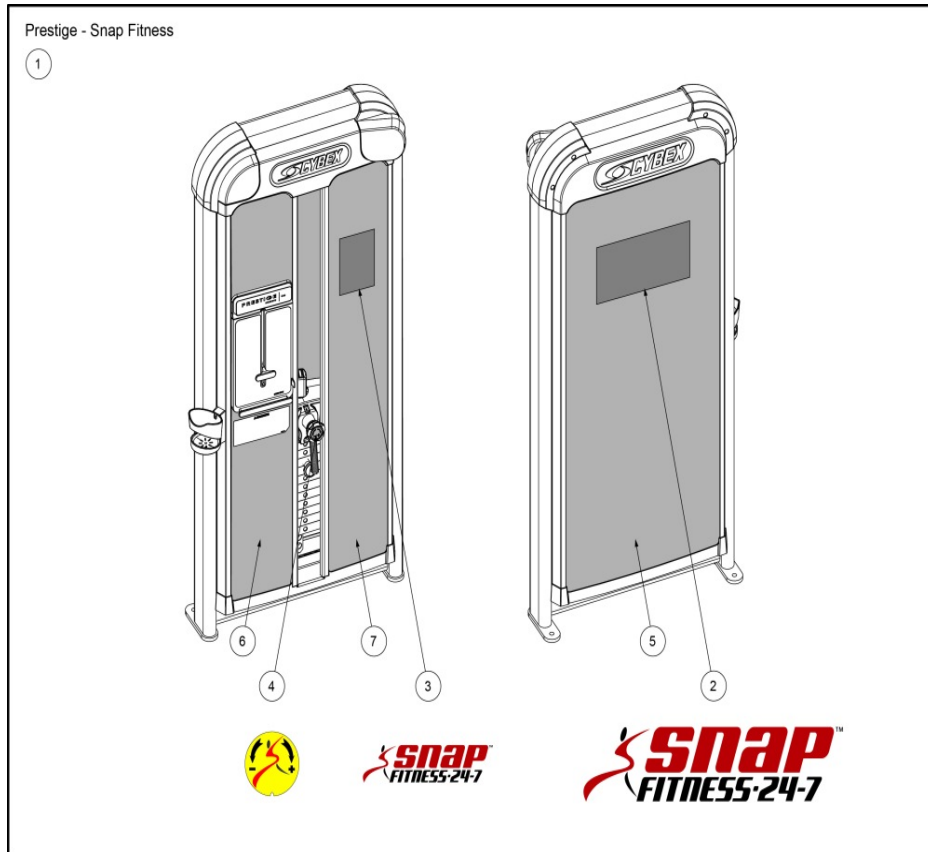
1/5/2019 4:23:28 AM

**Table of Contents**

---

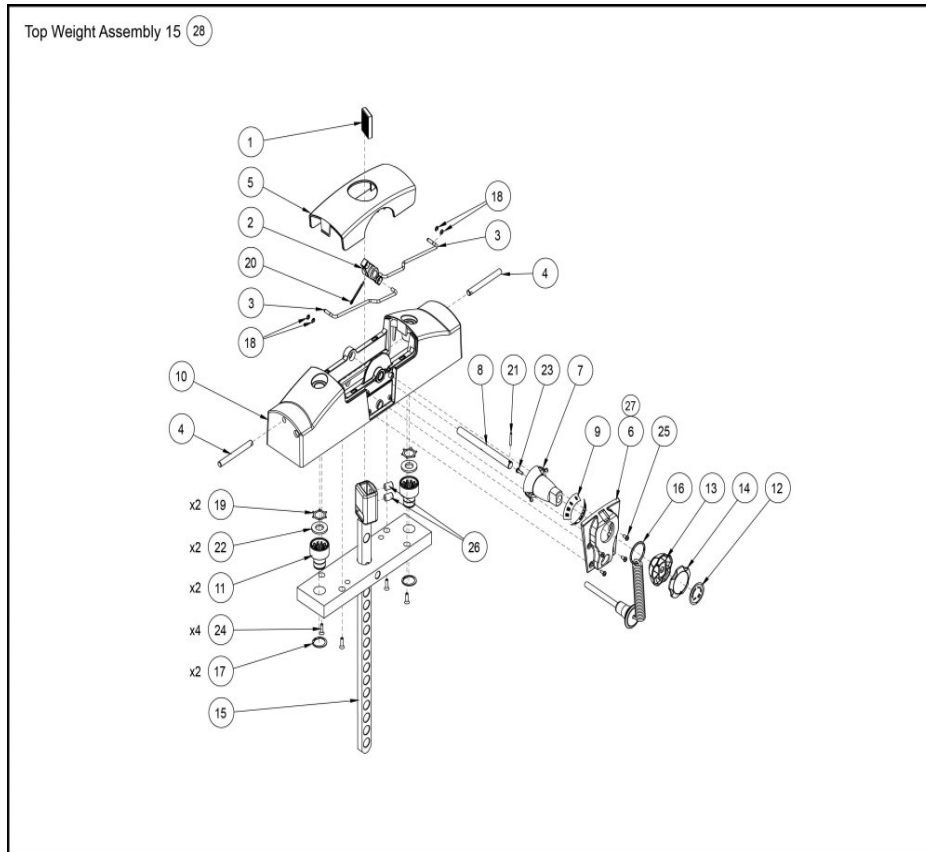
[Prestige - Snap Fitness](#).....3  
[Top Weight Assembly 15 21000-012](#).....4  
[21110 Arm Assembly](#).....6  
[21110 Belt Routing](#).....8  
[21110 Cushion Assembly](#).....9  
[21110 Frame Assembly](#).....10  
[21110 Panel Assembly](#).....12  
[21110 Pulley Assembly](#).....14  
[21110 Seat Assembly](#).....15  
[21110 Top Plastic Detail](#).....17  
[21110 Weight Stack Detail](#).....18

**Prestige - Snap Fitness**



Ref #	Part Number	Qty	Description
1	21010-025OS	1	SNAP PANEL INSERT ASSEMBLY
2	21000-409	1	DECAL, SNAP FITNESS 14.00
3	21000-408	1	DECAL, SNAP FITNESS 6.00
4	12000-424	1	Decal Snap Fitness Rotation
5	21000-440ON	1	BACK PANEL
6	21000-441ON	1	FRONT PANEL (MEDIA CENTER)
7	21000-442ON	1	FRONT PANEL

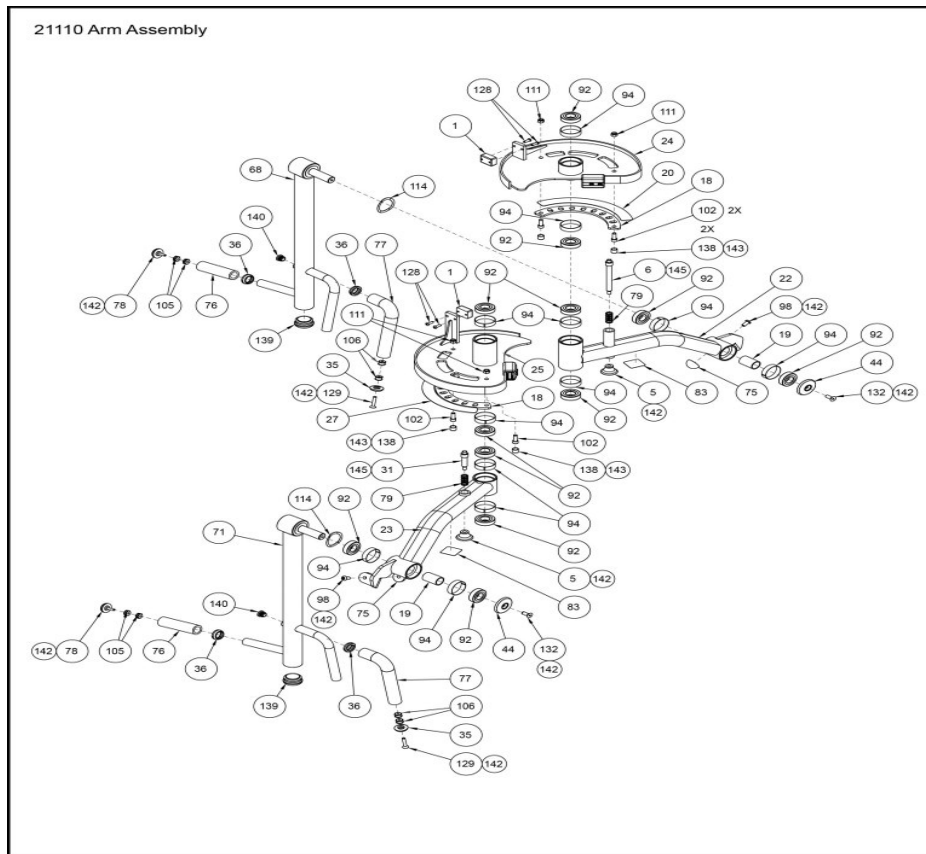
**Top\_Weight\_Assembly\_15\_21000-012**



Ref #	Part Number	Qty	Description
1	11040-301	1	INSERT CLAMP BLOCK
2	11040-367	1	HUB MOLDED
3	11040-369	2	ROD LINKAGE
4	11040-370	2	PIN
5	11040-416	1	COVER TOP WEIGHT
6	11040-424	1	COVER PLATE
7	11040-426	1	STEM
8	11040-427	1	ROD
9	11040-428	1	DECAL ADJUSTMENT
10	11050-366	1	TOP WT ASSY, MOLDED
11	13000-364	2	BEARING FLNG .62 ID X .92 OD X 1.75 LG
12	20000-429	1	ROTATION DECAL
13	20000-476	1	KNOB, BASE
14	20000-477	1	KNOB
15	21000-232	1	C LIFTING POST 15
16	BH030207	1	PIN WEIGHT SELECTOR
17	BR030206	2	RETAINING RING
18	BR030209	4	RETAINING RING .188
19	BR030220	2	RETAINING RING 1.250 INTERNAL
20	HP016820	1	COTTER PIN .125 X 1.25
21	HP266765	1	ROLL PIN .125 X .938
22	HS720004	2	WASHER FELT .641 ID X 1.250 OD X .125 T

Ref #	Part Number	Qty	Description
23	HT552512	1	TAP SC NO. 8-16 X .50 PLASTITE PAN HEAD PHILLIPS BLACK
24	HT562715	4	TAP SC NO 10 X .750 F PHIL
25	HT582510	4	TAP SC NO 10 X .375 PN HD PHIL
26	HY740000	2	SET SCREW
27	YG000002	1	NLA: Please use Lithium Grease
28	21000-012	1	TOP WEIGHT ASSY 15

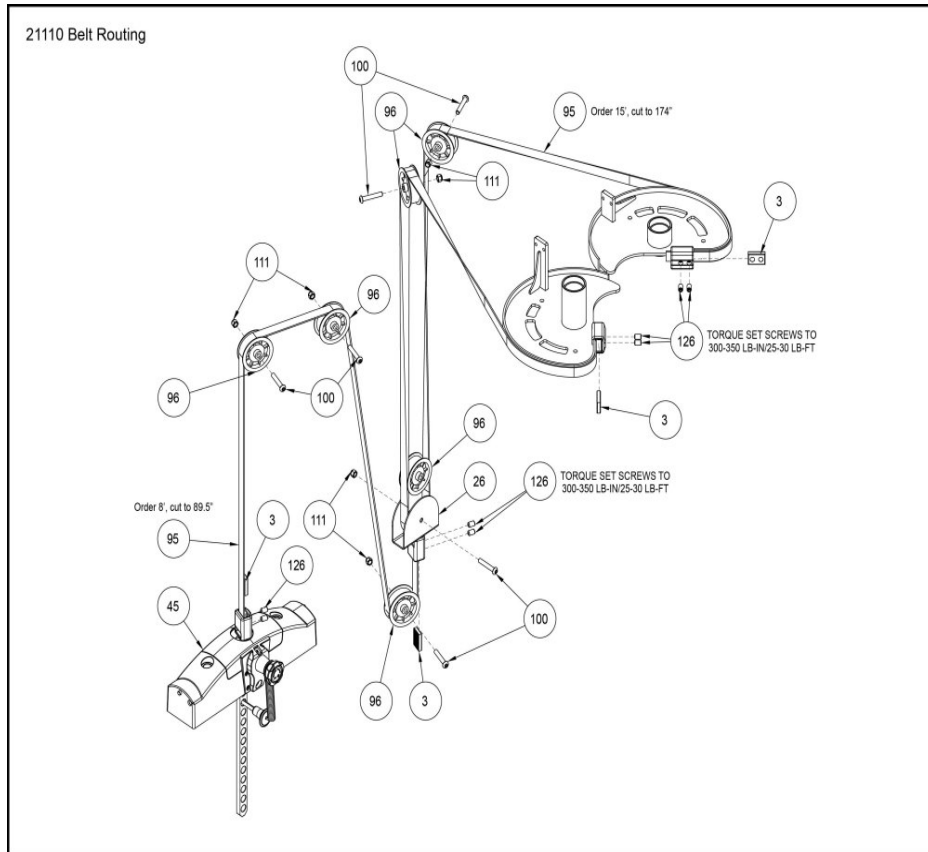
# 21110\_Arm\_Assembly



Ref #	Part Number	Qty	Description
1	11000-384	1	BLOCK STOP
5	11040-440	1	KNOB
6	11060-332	1	PIN DETENT
18	12110-333	1	PLATE DETENT
19	12110-338	2	SPACER
20	12110-350	1	DECAL START ADJUST
22	12111-202	1	W PIVOT ARM LH Custom
23	12111-203	1	W PIVOT ARM RH Custom
24	12111-204	1	W CAM Custom
25	12111-209	1	W CAM Custom
27	12111-360	1	DECAL, START ADJUST
31	13260-302	1	P Detent Pin
35	20000-525	2	TRIM RING
36	20000-526	2	TRIM RING
44	20080-370	2	END CAP
68	21110-201	1	W INPUT ARM Custom
71	21110-208	1	W INPUT ARM Custom
75	4505-331	1	BUMPER 1.50 DIA
76	4605-501	2	GRAB GRIP 5.00
77	4605-527	2	GRIP GRAB 11.00
78	4605K549	2	KIT HANDLE PLUG SMALL
79	4715-346	2	COM SPRING .72 X 1.50 LG

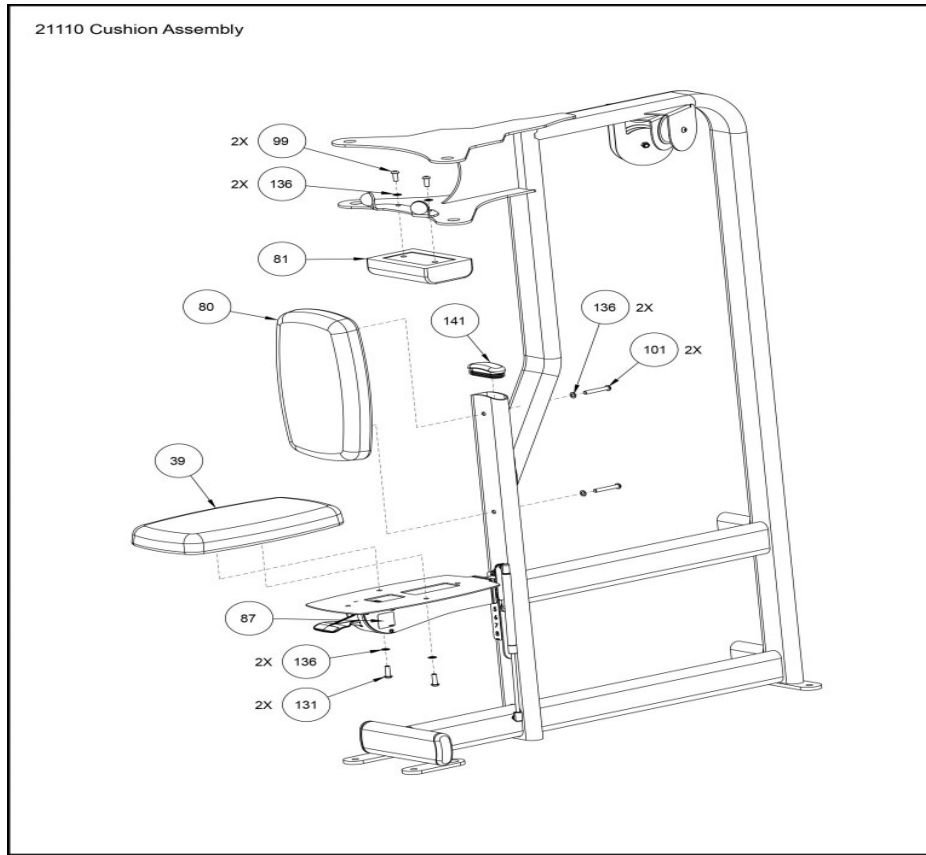
Ref #	Part Number	Qty	Description
83	8500-025	2	DECAL CAUTION Custom
92	FB030247	4	BEARING RADIAL 25MM EXTENDED RACE
94	FC030007	4	TOLERANCE RING 2.047 ID
98	HC700415	2	BHSCS .375-16 X .75
102	HC702817	4	SHCS .375-16 X 1.00
105	HF449063	4	INSERT 3-4X1-4-20 CONNECTOR
106	HF449066	4	INSERT 3/4 X 5/16-18 UNC
111	HN704901	4	LOCKNUT .375-16 NYLON
114	HS487100	2	WASHER SPRING 1.853X2.396X.168 T
128	JC620415	4	BHSCS .250-20 X .75
129	JC661000	2	FHSCS .312-18 X 1.75 LONG
132	JC700917	2	FHSCS .375-16 X 1.00
138	PP080222	4	CAP VINYL END .50 X .50
139	PP080226	2	INSERT PLASTIC 2.00 DIA-RIB
140	PP090213	2	INSERT PLASTIC
142	YA000201	1	ADH THRD LKR REM .02 OZ 242
143	YA000222	1	ADH BNDG CYANOACRYLATE
145	YG000002	1	NLA: Please use Lithium Grease

21110\_Belt\_Routing



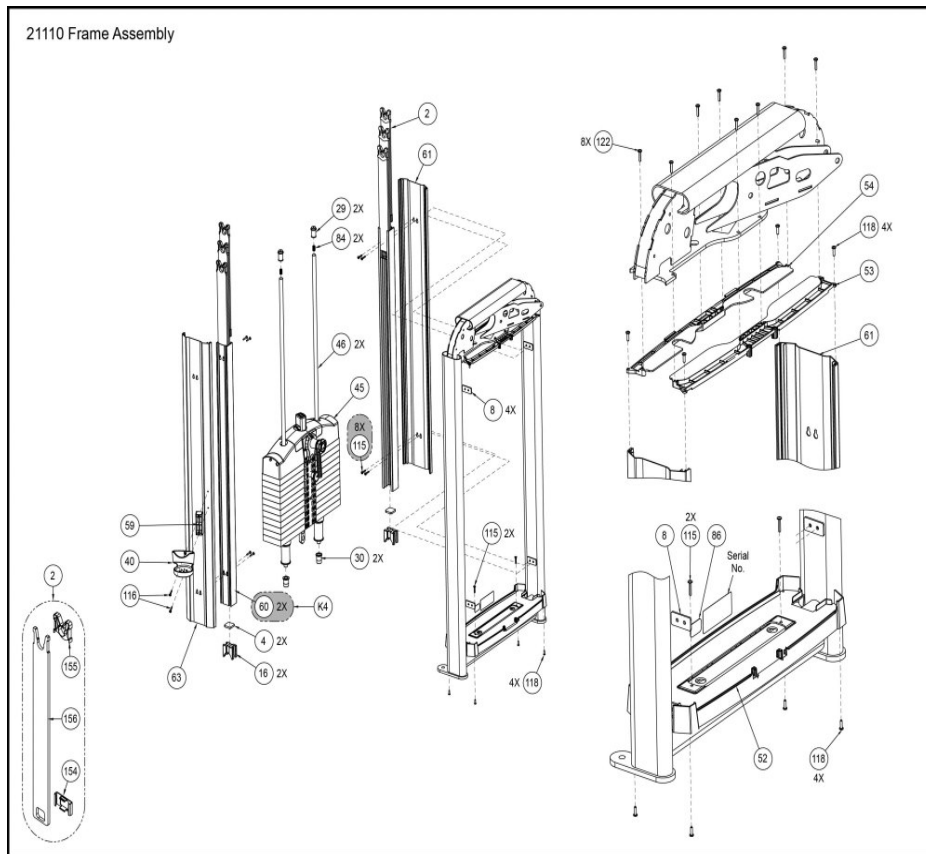
Ref #	Part Number	Qty	Description
3	11040-301	4	INSERT CLAMP BLOCK
26	12111-210	1	W PULLEY TAB Custom
45	21000-012	1	TOP WEIGHT ASSY 15
95	GB000202	23	BELT .95 WIDE
96	GP000209	6	PULLEY ASSEMBLY-3.50
100	HC700428	6	BHSCS .375-16 X 2.25
111	HN704901	6	LOCKNUT .375-16 NYLON
126	HY740000	8	SET SCREW

## 21110\_Cushion\_Assembly



Ref #	Part Number	Qty	Description
39	20000-633	1	CUSHION S/A 10-X 18 MOLDED Custom
80	4800-188	1	CUSHION SA 10 X 18 NS Custom
81	4800-462	1	CUSHION SA COVERED 5 X 7 Custom
87	DE000019	1	Decal Caution Custom
99	HC700417	2	BHSCS .375-16 X 1.00
101	HC700430	2	BHSCS .375-16 X 2.50
131	JC700420	2	BHSCS .375-16 X 1.25
136	JS347400	6	LOCKWASHER INT TOOTH .375
141	PP130002	1	INSERT DOMED PLASTIC

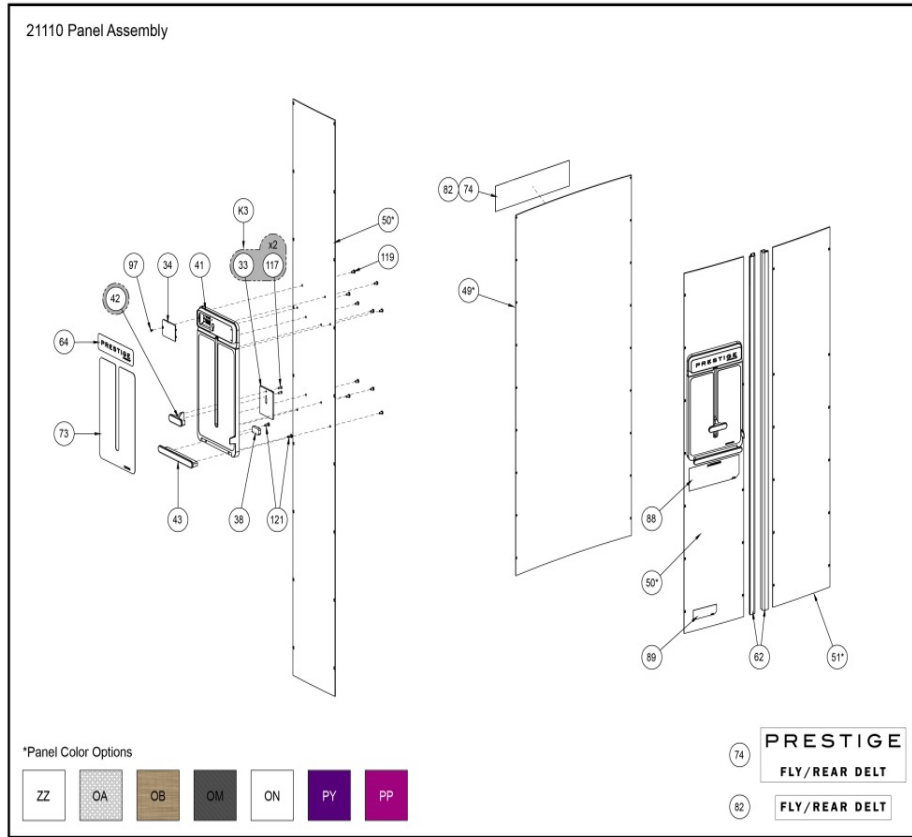
# 21110\_Frame\_Assembly



Ref #	Part Number	Qty	Description
4	11040-409	2	BUMPER
K4	21000K002	1	KIT, SHORT INC WT CHANNEL REPLACEMENT (PRESTIGE)
8	12000-398	4	SPACER
16	12102-330	2	INSERT INCREMENT WEIGHT
29	12210-347	2	CAP GUIDE ROD
30	12210-348	2	CAP GUIDE ROD
40	20000-650	1	HOLDER, WATER BOTTLE
45	21000-012	1	TOP WEIGHT ASSY 15
46	21000-350	2	WT ROD .625 X 48.22
52	21000-450	1	BOTTOM TRAY
53	21000-451	1	MOUNT, FRONT
54	21000-452	1	MOUNT, BACK
59	21000-465	1	SPACER
60	21000-580	2	EXTRUSION, INC WT CHANNEL
61	21000-471	1	EXTRUSION, OUTER CHANNEL
63	21000-474	1	EXTRUSION, OUTER CHANNEL (LH HOLES)
84	BS070208	2	COMP SPRING .396 ID X .480 OD X 1.50 LG
86	CM000211	1	DECAL PATENT
115	HT512517	10	TAP SC 10-24 X 1.00 TYPE WB PN HD PHIL BLK
116	HT512522	2	TAP SC 10-24 X 1.50 TYPE WB PN
118	HT542514	8	TAP SC NO 8-32 X .625 A PHIL

Ref #	Part Number	Qty	Description
122	HT552515	8	TAP SC NO. 8-16 X .75 PLASTITE PN HD PHIL BLK
154	11040-572	6	GUARD INCREMENT WEIGHT
155	11040-578	6	GUARD, INCREMENT WEIGHT
156,2	11040-030	12	INCREMENT WEIGHT S/A
-	CM000202	1	

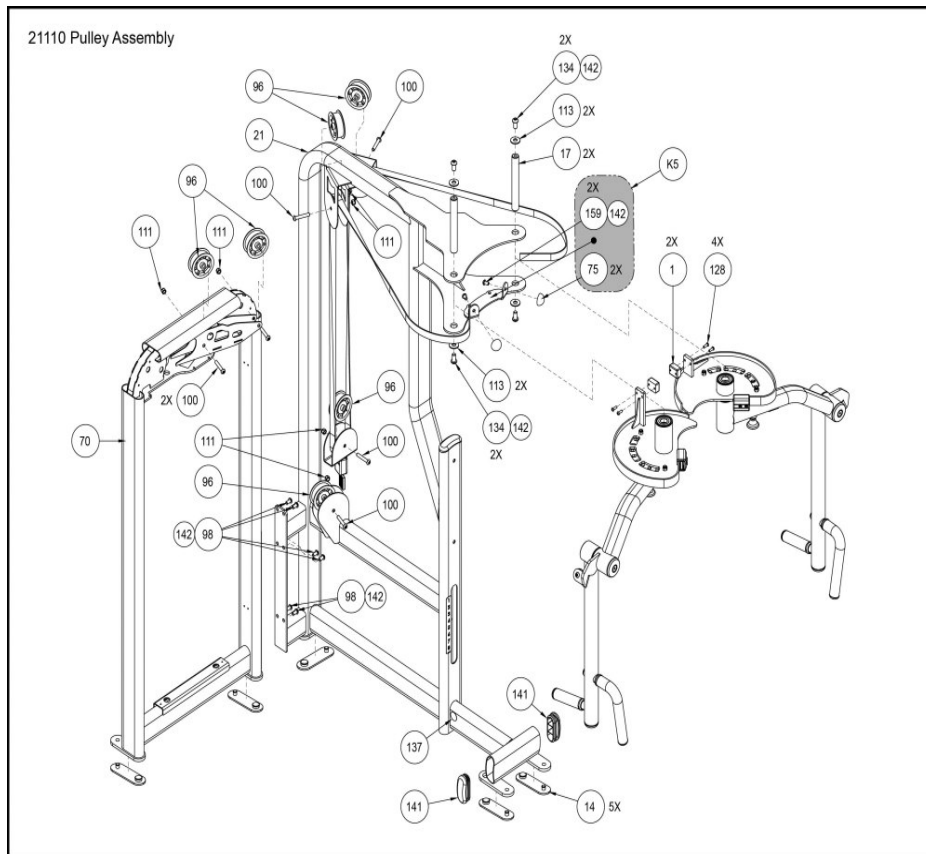
# 21110\_Panel\_Assembly



Ref #	Part Number	Qty	Description
K3	20000K007	1	KIT, CLAMP BAR REPLACEMENT
33	20000-483	1	WEIGHT PLATE
34	20000-524	1	COVER PLATE
38	20000-560	1	BUMPER
41	20000-652	1	PANEL, PLACARD
42	20000-662	1	CLAMP BAR
43	20000-655	1	BOTTOM TAB
49	21000-440ZZ	1	BACK PANEL
49	21000-440PP	1	BACK PANEL, PLANET FITNESS PURPLE
49	21000-440OA	1	BACK PANEL ASPEN
49	21000-440PY	1	BACK PANEL, YOUFIT PURPLE
49	21000-440ON	1	BACK PANEL
49	21000-440OM	1	BACK PANEL MORACO
49	21000-440OB	1	BACK PANEL BALI
50	21000-441ON	1	FRONT PANEL (MEDIA CENTER)
50	21000-441OA	1	FRONT PANEL (MEDIA CENTER) ASPEN
50	21000-441PY	1	FRONT PANEL (MEDIA CENTER), YOUFIT PURPLE
50	21000-441OM	1	FRONT PANEL (MEDIA CENTER) MORACO
50	21000-441ZZ	1	FRONT PANEL (MEDIA CENTER)
50	21000-441PP	1	FRONT PANEL, PLANET FITNESS PURPLE
50	21000-441OB	1	FRONT PANEL (MEDIA CENTER) BALI
51	21000-442OA	1	FRONT PANEL ASPEN

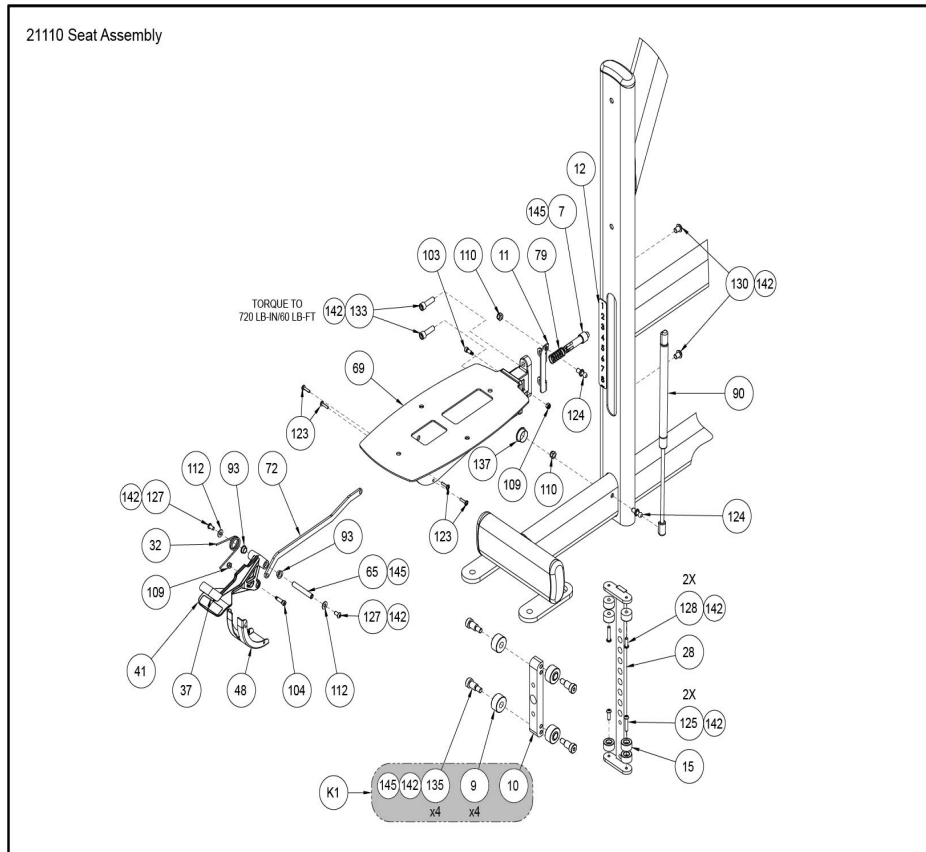
Ref #	Part Number	Qty	Description
51	21000-442OB	1	FRONT PANEL BALI
51	21000-442PY	1	FRONT PANEL
51	21000-442ZZ	1	FRONT PANEL
51	21000-442PP	1	FRONT PANEL, PLANET FITNESS PURPLE
51	21000-442OM	1	FRONT PANEL MORACO
51	21000-442ON	1	FRONT PANEL
62	21000-472	2	EXTRUDED GUARD
64	21000-556	1	MEDIA CENTER DECAL
73	21110-598	1	Placard Prestige FlyDelt Custom
74	21110-700	1	DECAL, FLY REAR DELT
74	21110-701	1	DECAL, FLY REAR DELT
82	21110-704	1	DECAL, FLY REAR DELT, SILVER
82	21110-703	1	DECAL, FLY REAR DELT, BLACK
88	DE000023	1	Decal Warning Custom
89	DE000025	1	NLA: DECAL, MADE IN U.S.A.
97	HC041008	1	SCREW, FH PHILL. #4 X .250 TYPE AB
117	HT532712	2	FLAT HEAD PHILLIPS #6 X .500 LG TYPE AB
119	HT552509	10	TAP SC NO 8-16 X .31 PLASTITE PN HD PHIL
121	HT552512	2	TAP SC NO. 8-16 X .50 PLASTITE PAN HEAD PHILLIPS BLACK

## 21110\_Pulley\_Assembly



Ref #	Part Number	Qty	Description
1	11000-384	2	BLOCK STOP
K5	21110K001	1	BUMPER KIT
14	12090-322	5	PAD FOOT
17	12110-332	2	PIN PIVOT
21	12111-200	1	W MAIN FRAME Custom
70	21110-207	1	W WEIGHT FRAME Custom
75	4505-331	2	BUMPER 1.50 DIA
96	GP000209	6	PULLEY ASSEMBLY-3.50
98	HC700415	6	BHSCS .375-16 X .75
100	HC700428	3	BHSCS .375-16 X 2.25
111	HN704901	6	LOCKNUT .375-16 NYLON
113	HS387500	2	WASHER USS .500
128	JC620415	4	BHSCS .250-20 X .75
134	JC780417	2	BHSCS .500-13 X 1.00
137	PN660200	1	INSERT PLASTIC 1.00 DIA-11 GA
141	PP130002	2	INSERT DOMED PLASTIC
142	YA000201	1	ADH THRD LKR REM .02 OZ 242
159	HC700414	2	BHSCS .375-16 X .62

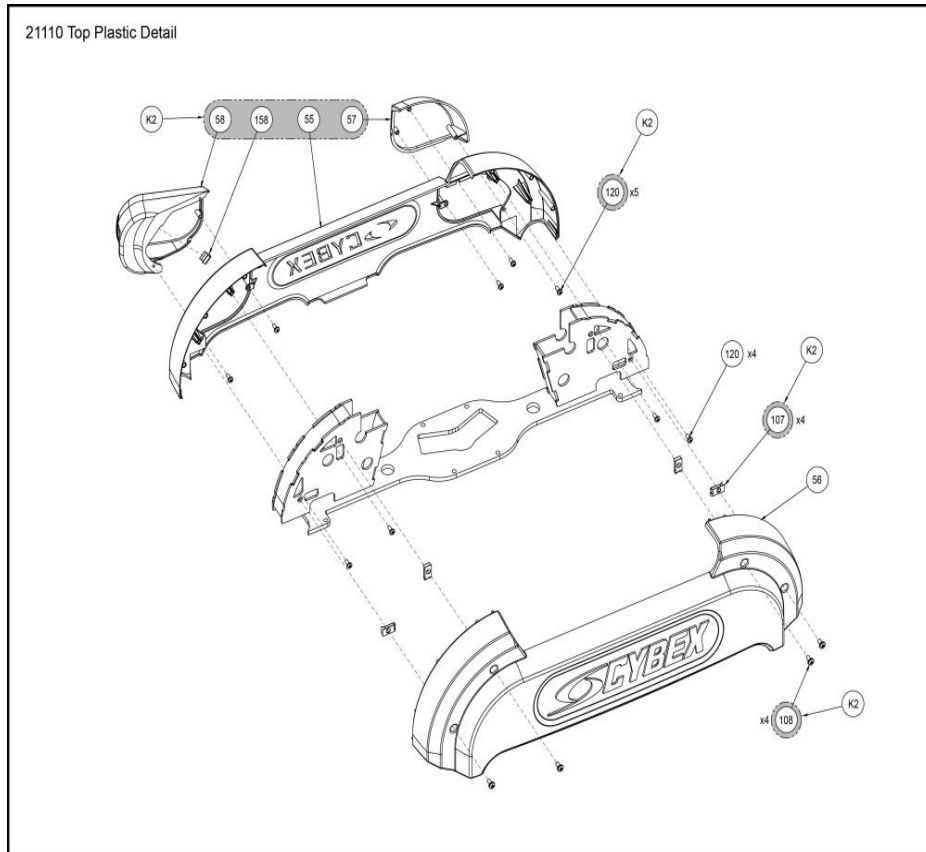
# 21110\_Seat\_Assembly



Ref #	Part Number	Qty	Description
7	12000-339	1	PIN DETENT
10,9,K1	12000K012	6	KIT. ROLLER ASSEMBLY
11	12070-308	1	MOUNT SPRING
12	12070-329	1	DECAL ADJUSTING
15	12100-303	6	BUMPER
28	12190-208	1	P DETENT BAR
32	20000-456	1	TORSION SPRING
37	20000-536	1	DECAL
41	21000-375	1	HANDLE
48	21000-376	1	COVER, SEAT FRONT
65	21010-350	1	PIVOT SHAFT
69	21110-205	1	W SEAT Custom
72	21110-375	1	LINK BAR Custom
79	4715-346	1	COM SPRING .72 X 1.50 LG
90	EZ000008	1	GAS SPRING 100N
93	FB130219	1	BRG, FLG .375 X .500 X .250 LG
103	HD303312	1	S BOLT .250 X .500 .190-10-24
104	HD303315	1	S Bolt .250 x .750 .190-10-24
109	HN575100	1	LOCKNUT .190-NO 10-24
110	HN664900	2	LOCKNUT .312-18 NYLON INSERT
112	HS307600	1	WASHER SAE .250
123	HT572514	2	TAP SC NO. 10-24 X .75 PN HD PHIL

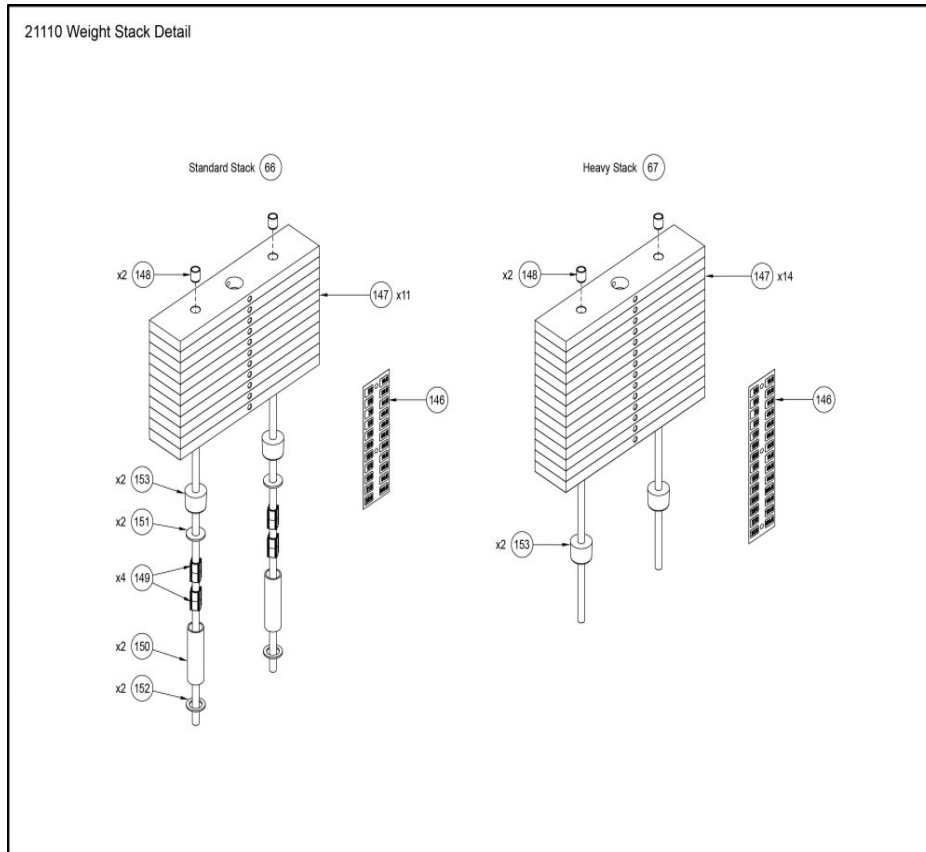
Ref #	Part Number	Qty	Description
124	HX-60184	2	BALL,STUD,5/16 -18X10MM
125	HX620420	2	BHSCS .250-20 X 1.250
127	JC620412	2	BHSCS .250-20 X .50
128	JC620415	2	BHSCS .250-20 X .75
130	JC700412	2	BHSCS .375-16 X .50
133	JC702820	2	SHCS .375-16 X 1.25
135	JD383315	4	S BOLT .500 X .75 .375-16
137	PN660200	1	INSERT PLASTIC 1.00 DIA-11 GA
142	YA000201	1	ADH THRD LKR REM .02 OZ 242
145	YG000002	1	NLA: Please use Lithium Grease

21110\_Top\_Plastic\_Detail



Ref #	Part Number	Qty	Description
K2	21000K040	1	KIT, PRESTIGE TOP CAP (RH EXIT)
55	21000-454	1	TOP CAP, FRONT
56	21000-455	1	TOP CAP, REAR
57	21000-457	1	TOP CAP INSERT LH
58	21000-459	1	PULLEY COVER ASSEMBLY RH
107	HF579000	4	PANEL FASTENER 10-24 U TYPE
108	HJ582510	4	SEMS 10-32 X .38
120	HT552511	9	TAP SC #8-16 X .38 TAP BLACK PLASTITE
158	HF009000	1	SPEED CLIP U-TYPE

## 21110\_Weight\_Stack\_Detail



Ref #	Part Number	Qty	Description
66	21030-020	1	
67	21030-021	1	
146	12000-560	1	DECAL WT PLATE (30-290)
147	4000C101	1	C STACK WT 4X18
148	FB130216	2	Bushing Weight Stack
149	12210-352	4	INSERT PLASTIC
150	12210-359	2	TUBE SPACER
151	HS760106	2	WASH FLAT 1.750 .688 .140 T
152	JS497600	2	WASHER 1.19 ID X 1.75 OD X .12 THK
153	PR060005	2	BUMPER WEIGHT

