

# Prestige Prone Leg Curl Total RLD

21142-10

## Parts Manual

1/5/2019 4:24:56 AM

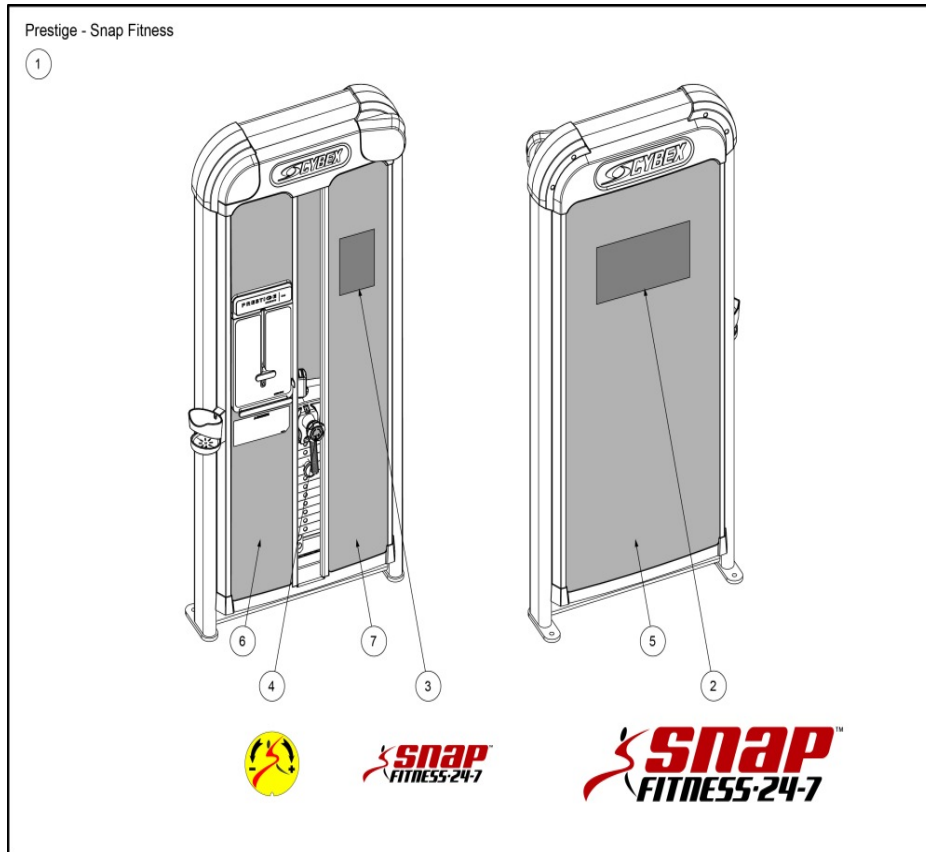


**Table of Contents**

---

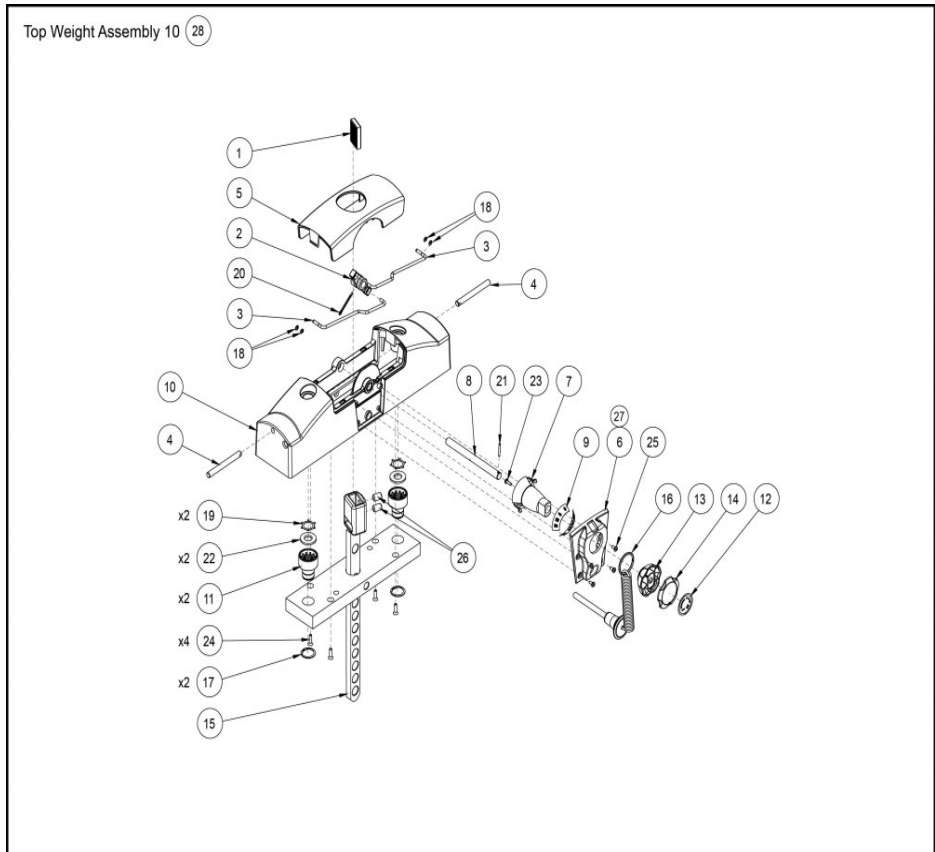
[Prestige - Snap Fitness.....](#)3  
[Top Weight Assembly 10 - 21000-008.....](#)4  
[21140 Belt Routing.....](#)6  
[21140 Cushion Assembly.....](#)7  
[21140 Frame Assembly.....](#)9  
[21140 Panel Assembly.....](#)11  
[21140 Top Plastic Detail.....](#)13  
[21140 Weight Stack Detail.....](#)14  
[21142 Total RLD.....](#)15

## Prestige - Snap Fitness



Ref #	Part Number	Qty	Description
1	21010-025OS	1	SNAP PANEL INSERT ASSEMBLY
2	21000-409	1	DECAL, SNAP FITNESS 14.00
3	21000-408	1	DECAL, SNAP FITNESS 6.00
4	12000-424	1	Decal Snap Fitness Rotation
5	21000-440ON	1	BACK PANEL
6	21000-441ON	1	FRONT PANEL (MEDIA CENTER)
7	21000-442ON	1	FRONT PANEL

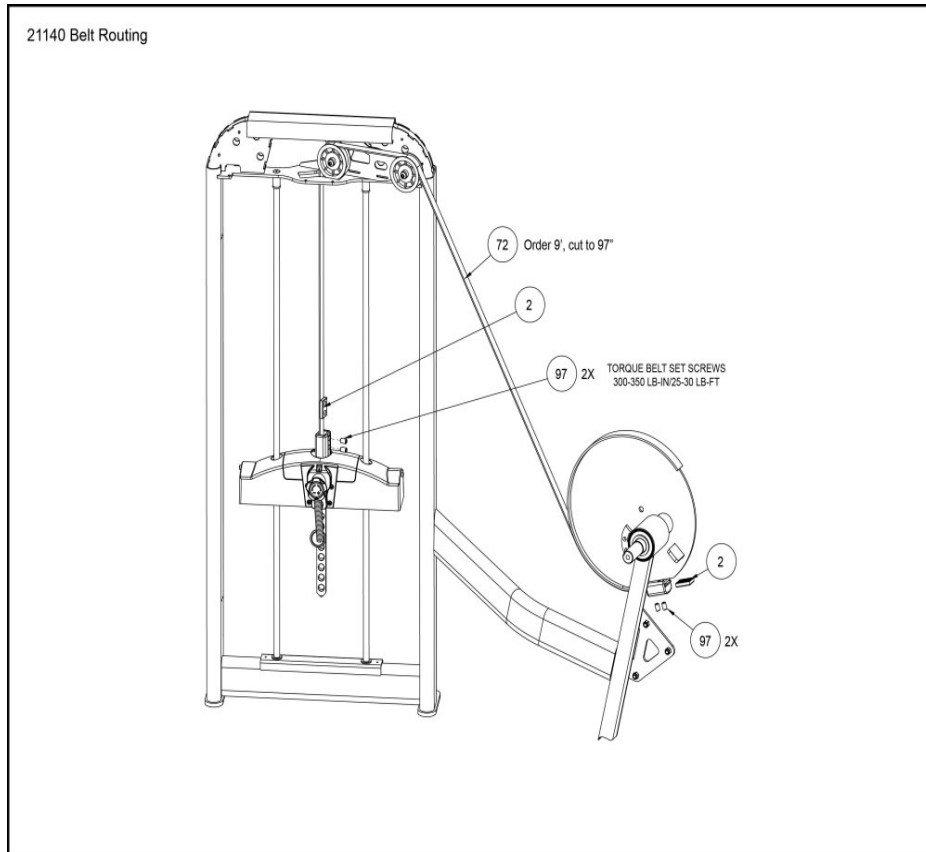
**Top Weight Assembly 10 - 21000-008**



Ref #	Part Number	Qty	Description
1	11040-301	1	INSERT CLAMP BLOCK
2	11040-367	1	HUB MOLDED
3	11040-369	1	ROD LINKAGE
4	11040-370	2	PIN
5	11040-416	1	COVER TOP WEIGHT
6	11040-424	1	COVER PLATE
7	11040-426	1	STEM
8	11040-427	1	ROD
9	11040-428	1	DECAL ADJUSTMENT
10	11050-366	1	TOP WT ASSY, MOLDED
11	13000-364	2	BEARING FLNG .62 ID X .92 OD X 1.75 LG
12	20000-429	1	ROTATION DECAL
13	20000-476	1	KNOB, BASE
14	20000-477	1	KNOB
15	21000-229	1	C LIFTING POST 10
16	BH030207	1	PIN WEIGHT SELECTOR
17	BR030206	2	RETAINING RING
18	BR030209	4	RETAINING RING .188
19	BR030220	2	RETAINING RING 1.250 INTERNAL
20	HP016820	1	COTTER PIN .125 X 1.25
21	HP266765	1	ROLL PIN .125 X .938
22	HS720004	2	WASHER FELT .641 ID X 1.250 OD X .125 T

Ref #	Part Number	Qty	Description
23	HT552512	1	TAP SC NO. 8-16 X .50 PLASTITE PAN HEAD PHILLIPS BLACK
24	HT562715	4	TAP SC NO 10 X .750 F PHIL
25	HT582510	4	TAP SC NO 10 X .375 PN HD PHIL
26	HY740000	2	SET SCREW
27	YG000002	1	NLA: Please use Lithium Grease
28	21000-008	1	TOP WEIGHT ASSY 10

## 21140\_Belt\_Routing

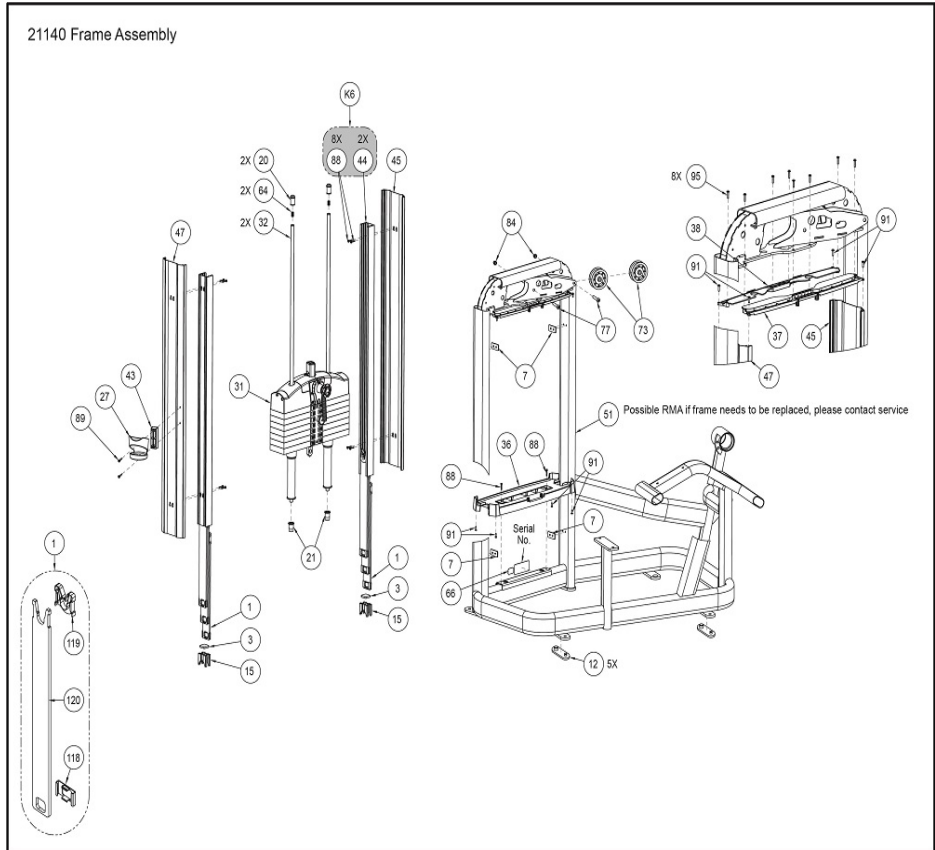


Ref #	Part Number	Qty	Description
2	11040-301	2	INSERT CLAMP BLOCK
72	GB000202	9	BELT .95 WIDE
97	HY740000	4	SET SCREW



<b>Ref #</b>	<b>Part Number</b>	<b>Qty</b>	<b>Description</b>
121	4800-199	1	WEAR COVER CS Custom

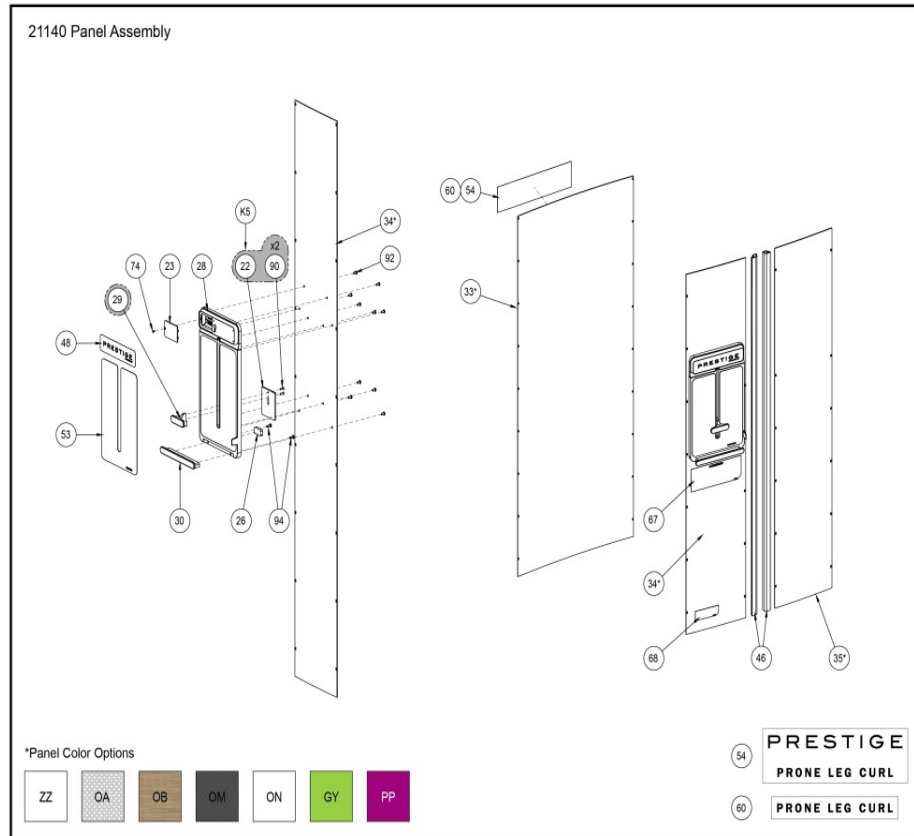
**21140\_Frame\_Assembly**



Ref #	Part Number	Qty	Description
1,120	11040-030	12	INCREMENT WEIGHT S/A
3	11040-409	2	BUMPER
K6	21000K002	1	KIT, SHORT INC WT CHANNEL REPLACEMENT (PRESTIGE)
7	12000-398	2	SPACER
12	12090-322	5	PAD FOOT
15	12102-330	2	INSERT INCREMENT WEIGHT
20	12210-347	2	CAP GUIDE ROD
21	12210-348	2	CAP GUIDE ROD
27	20000-650	1	HOLDER, WATER BOTTLE
31	21000-008	1	TOP WEIGHT ASSY 10
32	21000-350	2	WT ROD .625 X 48.22
36	21000-450	1	BOTTOM TRAY
37	21000-451	1	MOUNT, FRONT
38	21000-452	1	MOUNT, BACK
43	21000-465	1	SPACER
44	21000-580	1	EXTRUSION, INC WT CHANNEL
45	21000-471	1	EXTRUSION, OUTER CHANNEL
47	21000-474	1	EXTRUSION, OUTER CHANNEL (LH HOLES)
51	21140-200	1	W/ MAIN FRAME Custom
64	BS070208	1	COMP SPRING .396 ID X .480 OD X 1.50 LG
66	CM000211	1	DECAL PATENT

Ref #	Part Number	Qty	Description
73	GP000209	2	PULLEY ASSEMBLY-3.50
77	HC700428	2	BHSCS .375-16 X 2.25
84	HN704901	2	LOCKNUT .375-16 NYLON
88	HT512517	8	TAP SC 10-24 X 1.00 TYPE WB PN HD PHIL BLK
89	HT512522	2	TAP SC 10-24 X 1.50 TYPE WB PN
91	HT542514	4	TAP SC NO 8-32 X .625 A PHIL
95	HT552515	8	TAP SC NO. 8-16 X .75 PLASTITE PN HD PHIL BLK
118	11040-572	6	GUARD INCREMENT WEIGHT
119	11040-578	6	GUARD, INCREMENT WEIGHT
-	CM000202	1	

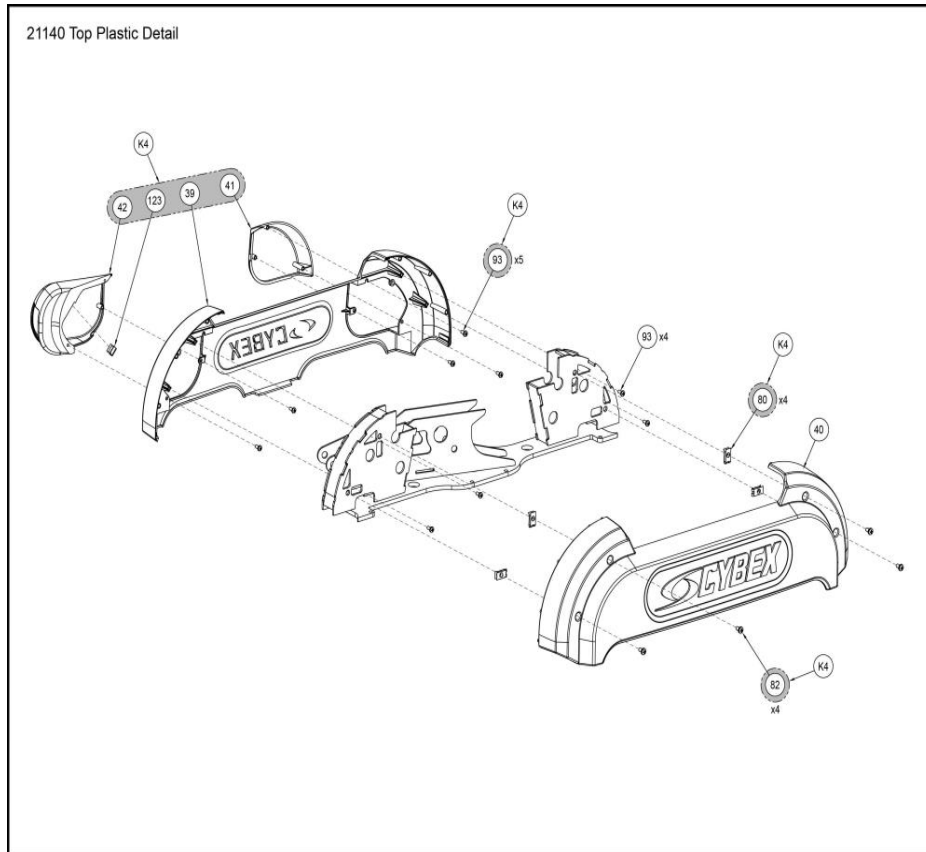
## 21140\_Panel\_Assembly



Ref #	Part Number	Qty	Description
K5	20000K007	1	KIT, CLAMP BAR REPLACEMENT
22	20000-483	1	WEIGHT PLATE
23	20000-524	1	COVER PLATE
26	20000-560	1	BUMPER
28	20000-652	1	PANEL, PLACARD
29	20000-662	1	CLAMP BAR
30	20000-655	1	BOTTOM TAB
33	21000-440ON	1	BACK PANEL
33	21000-440OA	1	BACK PANEL ASPEN
33	21000-440PP	1	BACK PANEL, PLANET FITNESS PURPLE
33	21000-440ZZ	1	BACK PANEL
33	21000-440OB	1	BACK PANEL BALI
33	21000-440GY	1	BACK PANEL, YOUFIT GREEN
33	21000-440OM	1	BACK PANEL MORACO
34	21000-441OM	1	FRONT PANEL (MEDIA CENTER) MORACO
34	21000-441OB	1	FRONT PANEL (MEDIA CENTER) BALI
34	21000-441OA	1	FRONT PANEL (MEDIA CENTER) ASPEN
34	21000-441ON	1	FRONT PANEL (MEDIA CENTER)
34	21000-441GY	1	FRONT PANEL (MEDIA CENTER), YOUFIT GREEN
34	21000-441PP	1	FRONT PANEL, PLANET FITNESS PURPLE
34	21000-441ZZ	1	FRONT PANEL (MEDIA CENTER)
35	21000-442OA	1	FRONT PANEL ASPEN

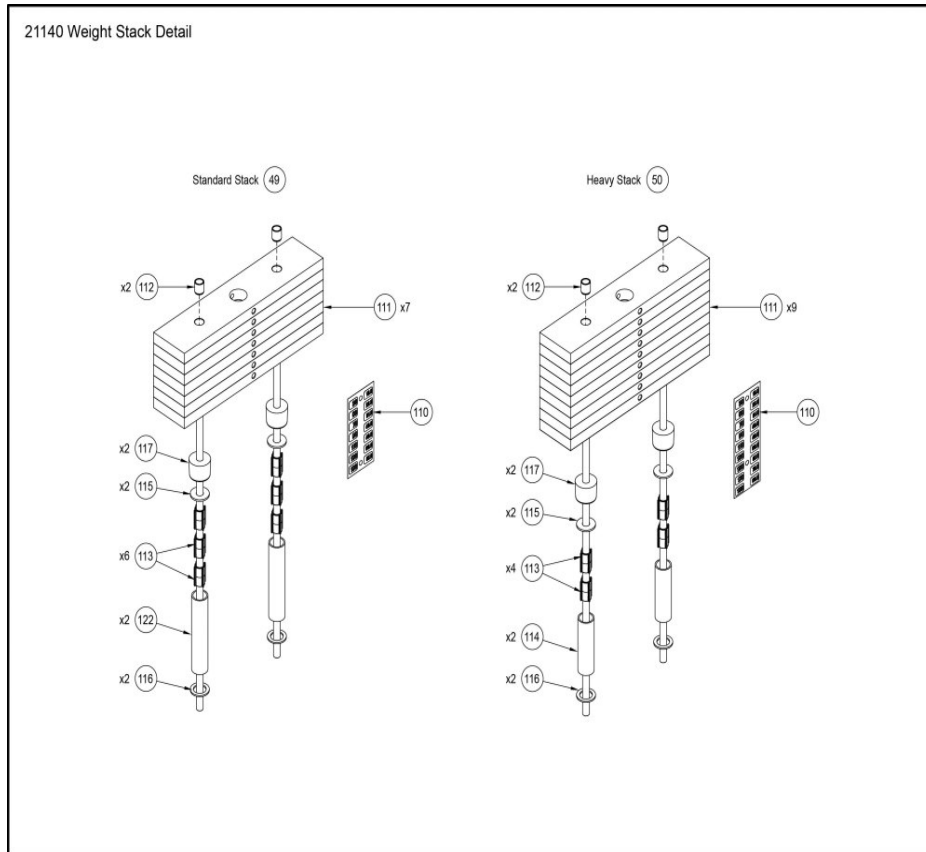
Ref #	Part Number	Qty	Description
35	21000-442GY	1	FRONT PANEL
35	21000-442OM	1	FRONT PANEL MORACO
35	21000-442ZZ	1	FRONT PANEL
35	21000-442PP	1	FRONT PANEL, PLANET FITNESS PURPLE
35	21000-442ON	1	FRONT PANEL
35	21000-442OB	1	FRONT PANEL BALI
46	21000-472	2	EXTRUDED GUARD
48	21000-556	1	MEDIA CENTER DECAL
53	21140-598	1	Placard Prestige ProneLeg Custom
54	21140-700	1	DECAL, PRONE LEG CURL
54	21140-701	1	DECAL, PRONE LEG CURL
60	21140-703	1	DECAL, PRONE LEG CURL, BLACK
60	21140-704	1	DECAL, PRONE LEG CURL, SILVER
67	DE000023	1	Decal Warning Custom
68	DE000025	1	NLA: DECAL, MADE IN U.S.A.
74	HC041008	1	SCREW, FH PHILL. #4 X .250 TYPE AB
90	HT532712	2	FLAT HEAD PHILLIPS #6 X .500 LG TYPE AB
92	HT552509	10	TAP SC NO 8-16 X .31 PLASTITE PN HD PHIL
94	HT552512	2	TAP SC NO. 8-16 X .50 PLASTITE PAN HEAD PHILLIPS BLACK

21140\_Top\_Plastic\_Detail



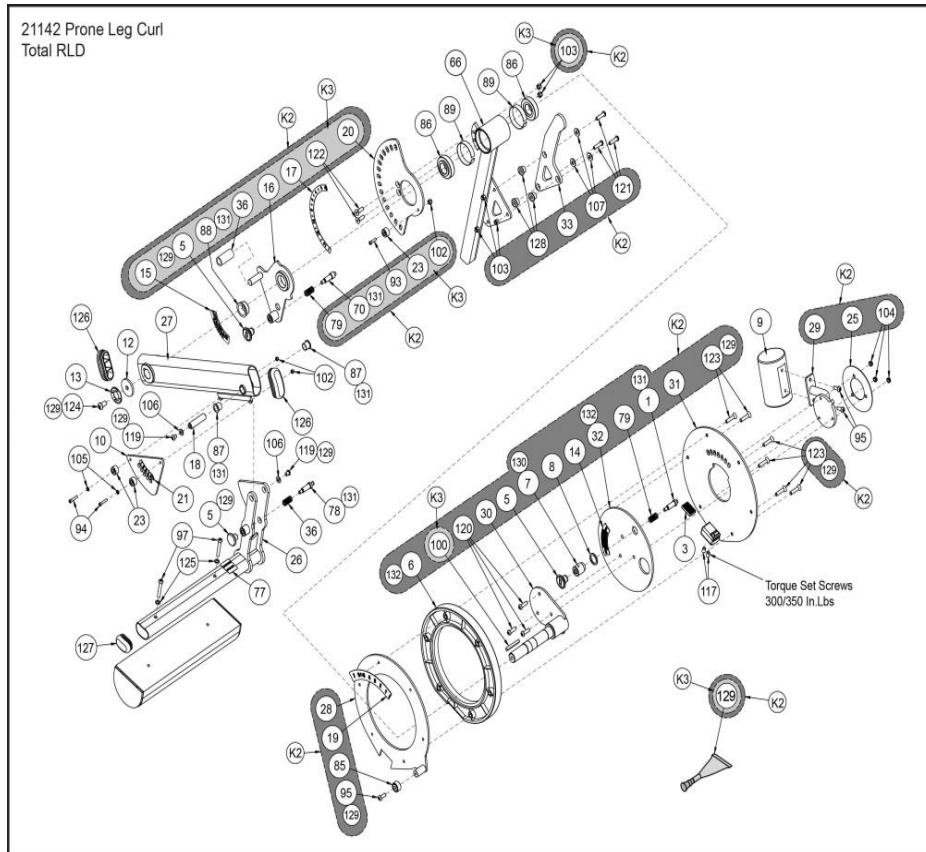
Ref #	Part Number	Qty	Description
K4	21000K040	1	KIT, PRESTIGE TOP CAP (RH EXIT)
39	21000-454	1	TOP CAP, FRONT
40	21000-455	1	TOP CAP, REAR
41	21000-457	1	TOP CAP INSERT LH
42	21000-459	1	PULLEY COVER ASSEMBLY RH
80	HF579000	9	PANEL FASTENER 10-24 U TYPE
82	HJ582510	4	SEMS 10-32 X .38
93	HT552511	5	TAP SC #8-16 X .38 TAP BLACK PLASTITE
123	HF009000	1	SPEED CLIP U-TYPE

21140\_Weight\_Stack\_Detail



Ref #	Part Number	Qty	Description
49	21010-020	1	
50	21010-021	1	
110	12000-560	1	DECAL WT PLATE (30-290)
111	4000C101	1	C STACK WT 4X18
112	FB130216	2	Bushing Weight Stack
113	12210-352	6	INSERT PLASTIC
114	12210-359	2	TUBE SPACER
115	HS760106	2	WASH FLAT 1.750 .688 .140 T
116	JS497600	2	WASHER 1.19 ID X 1.75 OD X .12 THK
117	PR060005	2	BUMPER WEIGHT
122	21010-343	2	SPACER TUBE

**21142\_Total\_RLD**



Ref #	Part Number	Qty	Description
1	08229	1	P PIN DETENT
K2	12140K003	1	Kit Non to Total RLD Custom
K3	12140K004	1	Kit Start to Total RLD Custom
3	11040-301	1	INSERT CLAMP BLOCK
5	11040-440	2	KNOB
6	11050-333	1	CAM
7	11050-407	1	RETAINER
8	11050-408	1	SPACER
9	11070-332	1	C COUNTERWEIGHT
10	11140-322	1	P DETENT PLATE
12	12050-343	1	WASHER
13	12050-355	1	DECAL ROTATION
14	12050-377	1	DECAL START RLD Custom
15	12050-378	1	DECAL TOTAL RLD Custom
16	12060-202	1	W STOP PLATE Custom
17	12060-321	1	DECAL CAM STOP
18	12060-346	1	PIN PIVOT
19	12060-354	1	DECAL ADJUSTMENT
20	12060-355	1	PLATE DETENT
21	12060-356	1	DECAL ADJUSTING
23	12100-303	1	BUMPER
25	12102-339	1	STOP GUARD

Ref #	Part Number	Qty	Description
26	12140-201	1	W CUSHION ARM Custom
27	12140-202	1	W INPUT ARM Custom
28	12140-203	1	W/CAM MOUNT
29	12140-207	1	W/COUNTERWEIGHT MOUNT Custom
30	12140-208	1	C PIVOT SHAFT
31	12140-209	1	W/CAM PLATE
32	12140-327	1	Plate Eccentric
33	12140-328	1	Roller Stop
36	13061-307	1	Grip 3.00
66	21140-200	1	W/ MAIN FRAME Custom
70	4505-329	1	PIN DETENT
77	8500-025	1	DECAL CAUTION Custom
78	8510-366	1	P DETENT PIN
79	BS070201	2	COM SPRING .56 ID X .66 OD X 1.50 LG
85	FB030239	1	CAM FOLLOWER 10 MM
86	FB030249	2	BEARING RADIAL 35MM EXT RACE
87	FB130212	2	BUSHING FLANGE FOOTPLATE.75ID
88	FB130213	2	BRG FLG 1.375 X 1.625 X .75 LG
89	FC030009	2	TOLERANCE RING 72MM
93	HC622817	1	SHCS .250-20 X 1.00
94	HC622820	2	SHCS .250-20 X 1.25
95	HC700417	1	BHSCS .375-16 X 1.00
97	HC700430	2	BHSCS .375-16 X 2.50
100	HH320030	1	KEY .313 SQ X 2.50
102	HN625200	2	LOCKNUT .250-20 NYLON HVY
103	HN704901	2	LOCKNUT .375-16 NYLON
104	HN704902	3	LOCKNUT NYLON .375-16
105	HS307601	2	WASH FLAT .281 .500 .062 T
106	HS347600	1	WASHER SAE .375
107	HS347700	3	WASHER USS .375
117	HY740000	2	SET SCREW
119	JC700412	1	BHSCS .375-16 X .50
120	JC700420	3	BHSCS .375-16 X 1.25
121	JC700422	3	BHSCS .375-16 X 1.50
122	JC700920	2	FHSCS .375-16 X 1.25
123	JC700924	2	FHSCS .375-16 X 1.75
124	JC780417	1	BHSCS .500-13 X 1.00
125	JS347400	2	LOCKWASHER INT TOOTH .375
126	PP130002	2	INSERT DOMED PLASTIC
127	PP130003	1	INSERT PLASTIC
128	PR740300	3	MOUNT CENTER BONDED
129	YA000201	1	ADH THRD LKR REM .02 OZ 242
130	YA000226	1	LOCTITE 680 .5 ML
131	YG000002	1	NLA: Please use Lithium Grease
132	YL000200	1	LUBRICANT TEFLON 3 OZ TUBE

