

Prestige Glute

21170-10

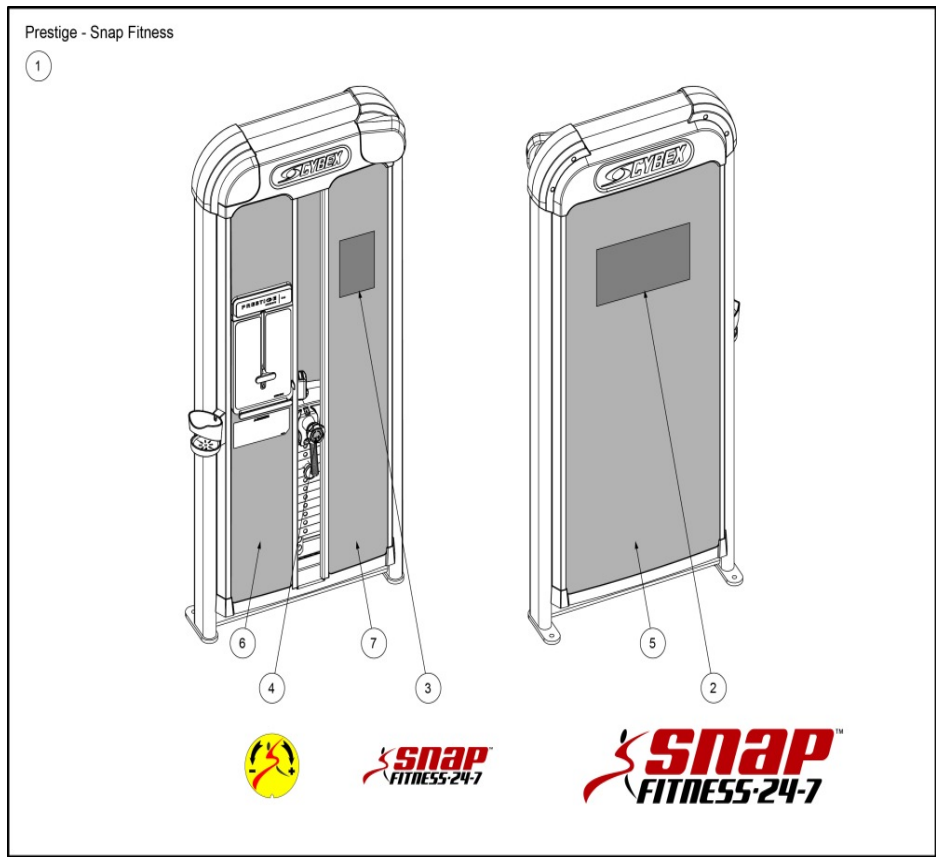
Parts Manual

1/5/2019 4:26:18 AM

Table of Contents

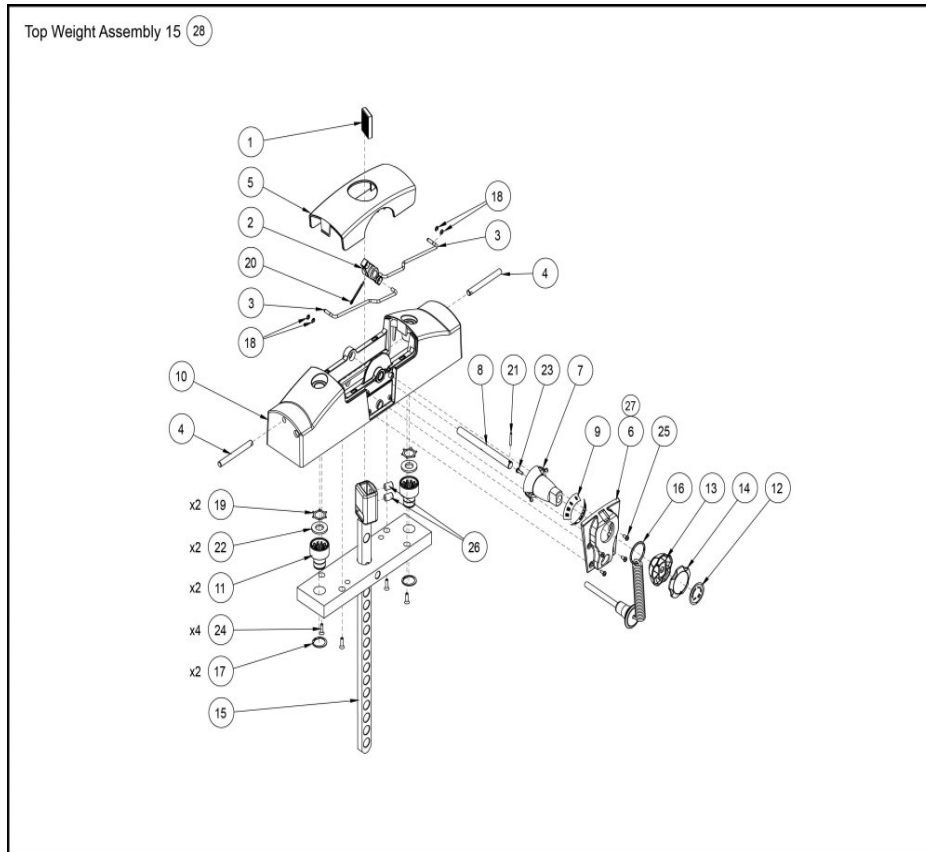
[Prestige - Snap Fitness.....](#)3
[Top Weight Assembly 15 21000-012.....](#)4
[21170 Belt Routing.....](#)6
[21170 Frame Assembly.....](#)7
[21170 Input Arm Assembly.....](#)9
[21170 Panel Assembly.....](#)11
[21170 Top Plastic Detail.....](#)13
[21170 Weight Stack Detail.....](#)14

Prestige - Snap Fitness



Ref #	Part Number	Qty	Description
1	21010-025OS	1	SNAP PANEL INSERT ASSEMBLY
2	21000-409	1	DECAL, SNAP FITNESS 14.00
3	21000-408	1	DECAL, SNAP FITNESS 6.00
4	12000-424	1	Decal Snap Fitness Rotation
5	21000-440ON	1	BACK PANEL
6	21000-441ON	1	FRONT PANEL (MEDIA CENTER)
7	21000-442ON	1	FRONT PANEL

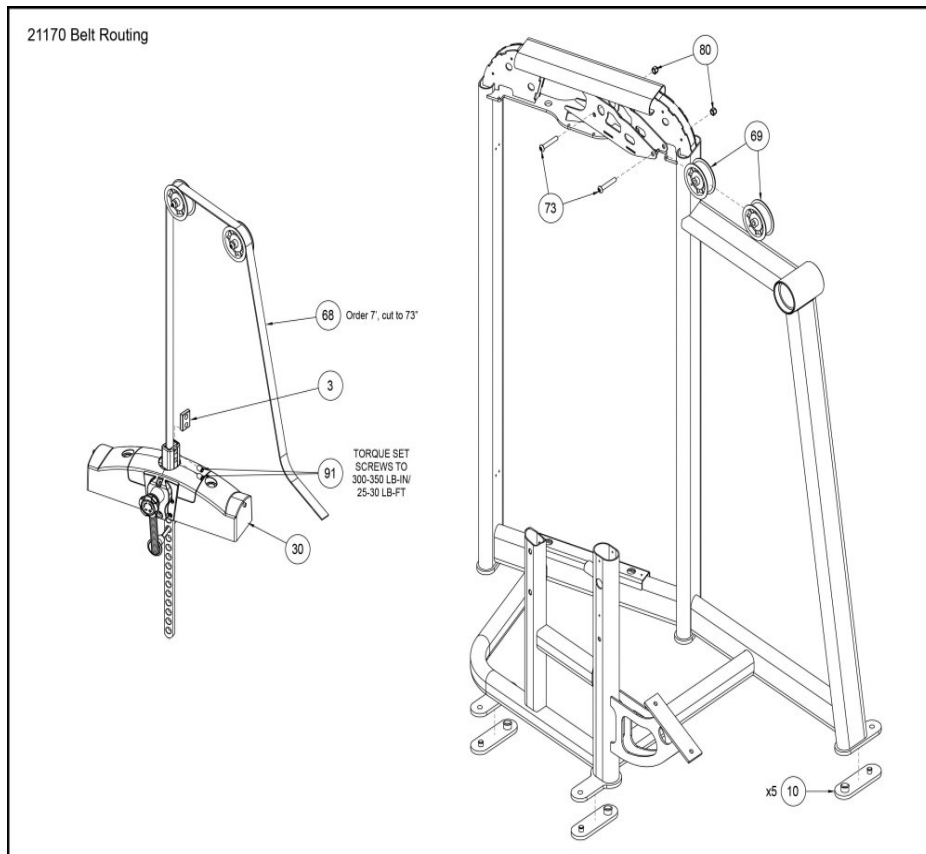
Top_Weight_Assembly_15_21000-012



Ref #	Part Number	Qty	Description
1	11040-301	1	INSERT CLAMP BLOCK
2	11040-367	1	HUB MOLDED
3	11040-369	2	ROD LINKAGE
4	11040-370	2	PIN
5	11040-416	1	COVER TOP WEIGHT
6	11040-424	1	COVER PLATE
7	11040-426	1	STEM
8	11040-427	1	ROD
9	11040-428	1	DECAL ADJUSTMENT
10	11050-366	1	TOP WT ASSY, MOLDED
11	13000-364	2	BEARING FLNG .62 ID X .92 OD X 1.75 LG
12	20000-429	1	ROTATION DECAL
13	20000-476	1	KNOB, BASE
14	20000-477	1	KNOB
15	21000-232	1	C LIFTING POST 15
16	BH030207	1	PIN WEIGHT SELECTOR
17	BR030206	2	RETAINING RING
18	BR030209	4	RETAINING RING .188
19	BR030220	2	RETAINING RING 1.250 INTERNAL
20	HP016820	1	COTTER PIN .125 X 1.25
21	HP266765	1	ROLL PIN .125 X .938
22	HS720004	2	WASHER FELT .641 ID X 1.250 OD X .125 T

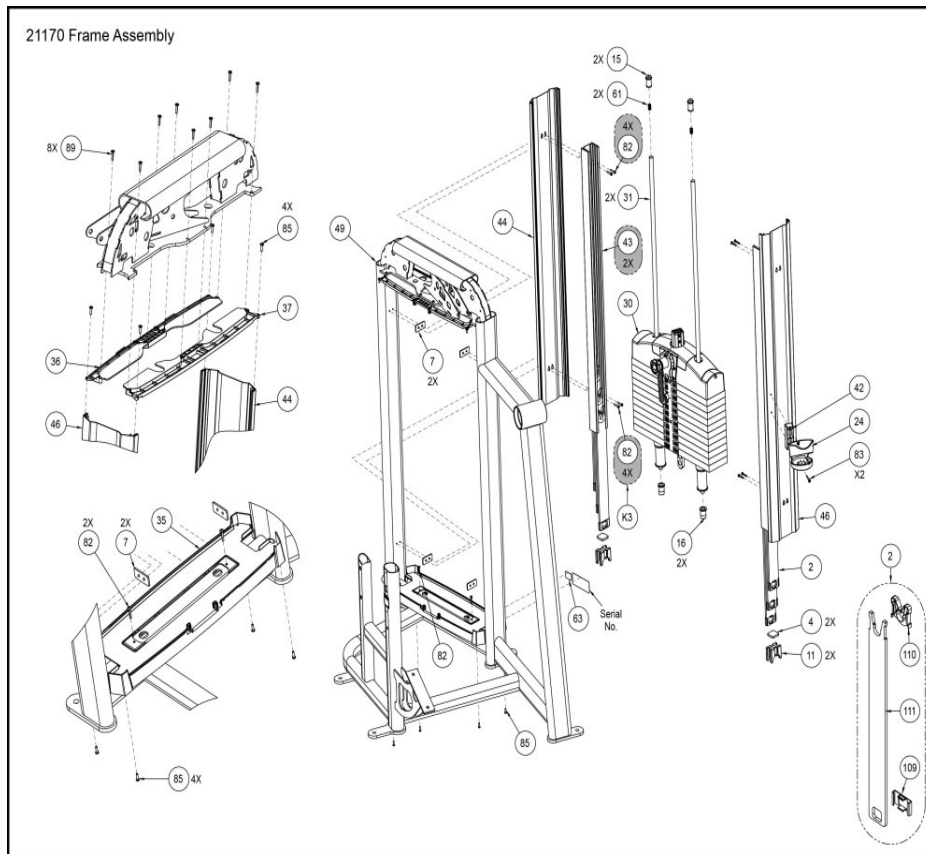
Ref #	Part Number	Qty	Description
23	HT552512	1	TAP SC NO. 8-16 X .50 PLASTITE PAN HEAD PHILLIPS BLACK
24	HT562715	4	TAP SC NO 10 X .750 F PHIL
25	HT582510	4	TAP SC NO 10 X .375 PN HD PHIL
26	HY740000	2	SET SCREW
28	21000-012	1	TOP WEIGHT ASSY 15

21170_Belt_Routing



Ref #	Part Number	Qty	Description
3	11040-301	1	INSERT CLAMP BLOCK
10	12090-322	5	PAD FOOT
30	21000-012	1	TOP WEIGHT ASSY 15
68	GB000202	7	BELT .95 WIDE
69	GP000209	2	PULLEY ASSEMBLY-3.50
73	HC700428	2	BHSCS .375-16 X 2.25
80	HN704901	2	LOCKNUT .375-16 NYLON
91	HY740000	2	SET SCREW

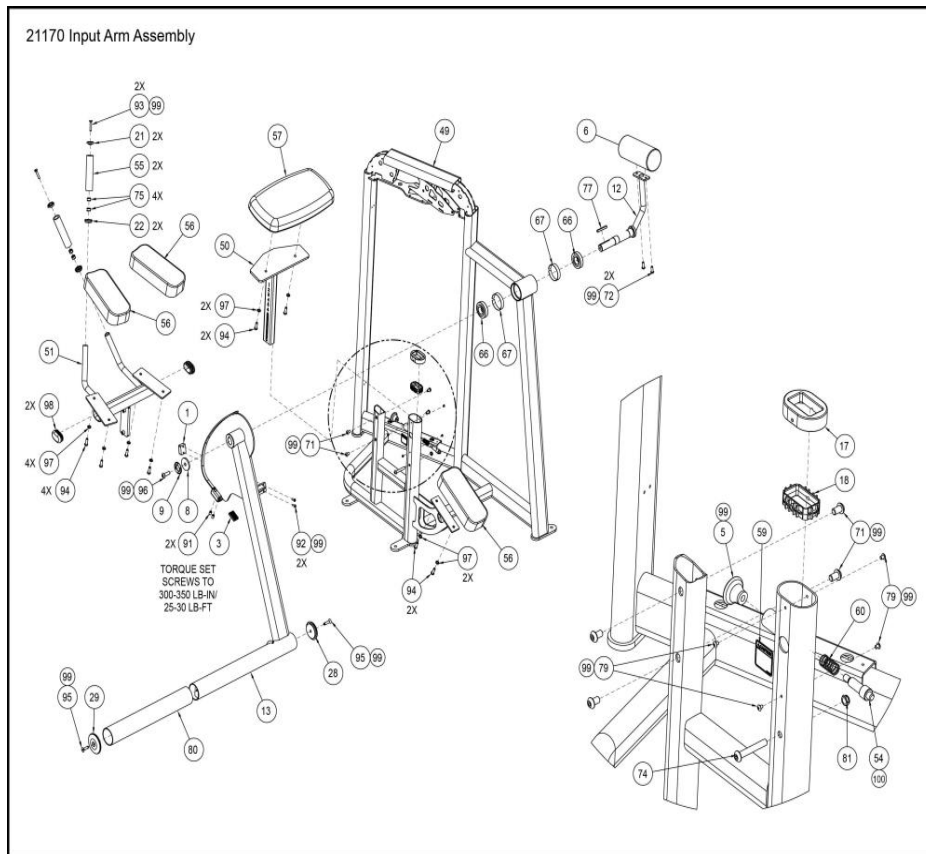
21170_Frame_Assembly



Ref #	Part Number	Qty	Description
K3	21000K002	1	KIT, SHORT INC WT CHANNEL REPLACEMENT (PRESTIGE)
4	11040-409	2	BUMPER
7	12000-398	2	SPACER
11	12102-330	2	INSERT INCREMENT WEIGHT
15	12210-347	2	CAP GUIDE ROD
16	12210-348	2	CAP GUIDE ROD
24	20000-650	1	HOLDER, WATER BOTTLE
30	21000-012	1	TOP WEIGHT ASSY 15
31	21000-350	2	WT ROD .625 X 48.22
35	21000-450	1	BOTTOM TRAY
36	21000-451	1	MOUNT, FRONT
37	21000-452	1	MOUNT, BACK
42	21000-465	1	SPACER
43	21000-580	2	EXTRUSION, INC WT CHANNEL
44	21000-471	1	EXTRUSION, OUTER CHANNEL
46	21000-473	1	EXTRUSION, OUTER CHANNEL (RH HOLES)
49	21170-200	1	W MAIN FRAME Custom
61	BS070208	2	COMP SPRING .396 ID X .480 OD X 1.50 LG
63	CM000211	1	DECAL PATENT
82	HT512517	4	TAP SC 10-24 X 1.00 TYPE WB PN HD PHIL BLK
83	HT512522	2	TAP SC 10-24 X 1.50 TYPE WB PN

Ref #	Part Number	Qty	Description
85	HT542514	4	TAP SC NO 8-32 X .625 A PHIL
89	HT552515	8	TAP SC NO. 8-16 X .75 PLASTITE PN HD PHIL BLK
109	11040-572	6	GUARD INCREMENT WEIGHT
110	11040-578	6	GUARD, INCREMENT WEIGHT
111,2	11040-030	12	INCREMENT WEIGHT S/A
-	CM000202	1	

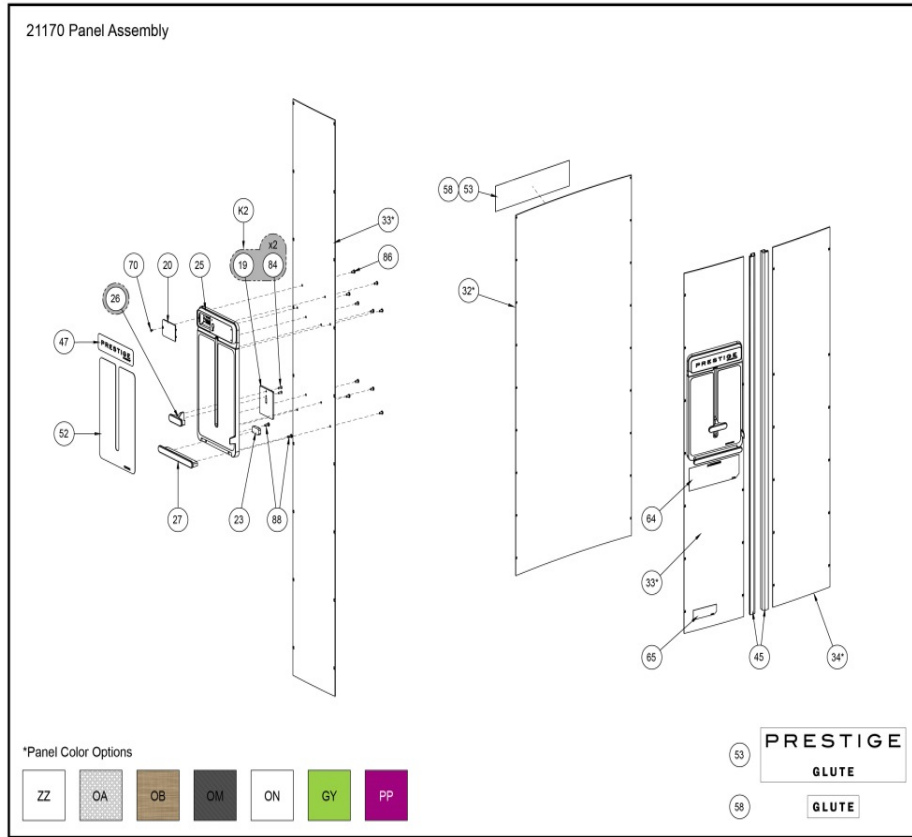
21170_Input_Arm_Assembly



Ref #	Part Number	Qty	Description
1	11000-384	1	BLOCK STOP
3	11040-301	1	INSERT CLAMP BLOCK
5	11040-440	1	KNOB
6	11100-363	1	C/COUNTERWEIGHT
8	12050-343	1	WASHER
9	12050-355	1	DECAL ROTATION
12	12170-201	1	W PIVOT SHAFT Custom
13	12170-202	1	W INPUT ARM Custom
17	16060-316	1	PLASTIC GUIDE
18	16060-317	1	PLASTIC GUIDE
21	20000-525	2	TRIM RING
22	20000-526	2	TRIM RING
28	20030-347	1	END CAP
29	20170-348	1	END CAP
49	21170-200	1	W MAIN FRAME Custom
50	21170-201	1	P ADJUSTING TUBE
51	21170-204	1	W PAD MOUNT Custom
54	4505-329	1	PIN DETENT
55	4605-500	2	GRAB GRIP 6.00
56	4800-017	2	CUSHION SA 5 X 12 Custom
57	4800-188	1	CUSHION SA 10 X 18 NS Custom
59	8500-025	1	DECAL CAUTION Custom

Ref #	Part Number	Qty	Description
60	BS070201	1	COM SPRING .56 ID X .66 OD X 1.50 LG
66	FB030249	2	BEARING RADIAL 35MM EXT RACE
67	FC030009	2	TOLERANCE RING 72MM
71	HC700414	4	BHSCS .375-16 X .62
72	HC700417	2	BHSCS .375-16 X 1.00
74	HC700430	1	BHSCS .375-16 X 2.50
75	HF449066	4	INSERT 3/4 X 5/16-18 UNC
77	HH320030	1	KEY .313 SQ X 2.50
79	HM583208	2	SCREW,10-32X.25,TRHD PHIL
80	12170-333	1	GRIP 21.75
81	HN704902	1	LOCKNUT NYLON .375-16
91	HY740000	2	SET SCREW
92	JC620415	2	BHSCS .250-20 X .75
93	JC661000	2	FHSCS .312-18 X 1.75 LONG
94	JC700420	2	BHSCS .375-16 X 1.25
95	JC700922	2	FHSCS .375-16 X 1.50
96	JC780422	1	BHSCS .500-13 X 1.50
97	JS347400	2	LOCKWASHER INT TOOTH .375
98	PP130003	2	INSERT PLASTIC
99	YA000201	1	ADH THRD LKR REM .02 OZ 242

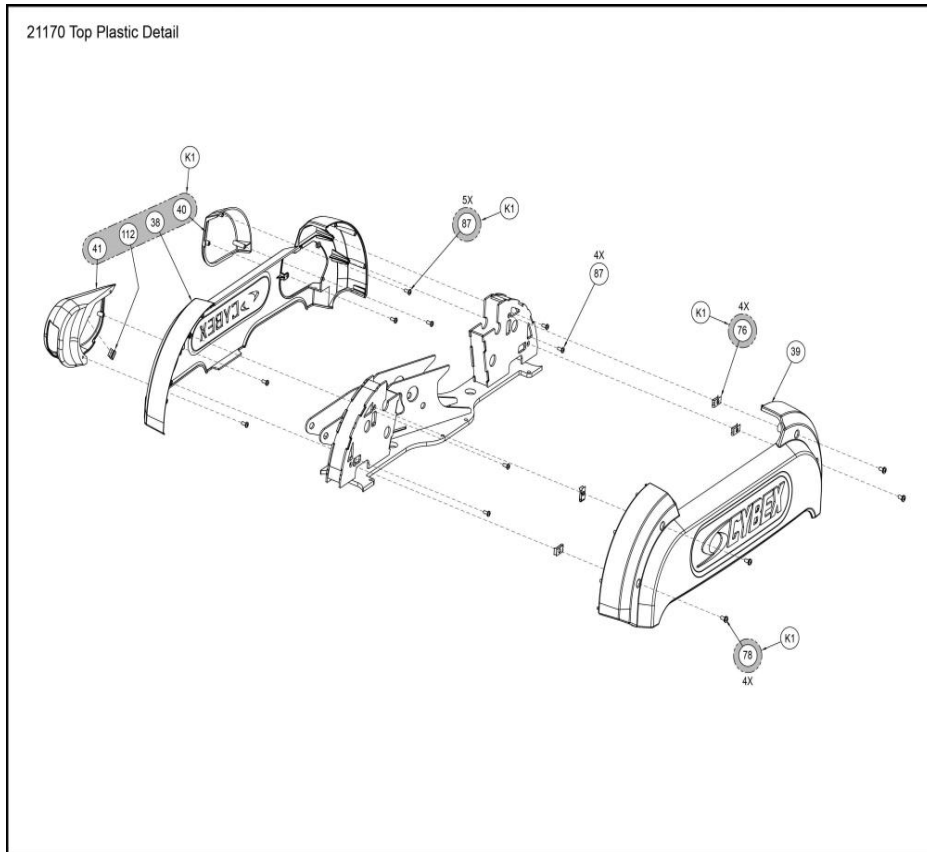
21170_Panel_Assembly



Ref #	Part Number	Qty	Description
K2	20000K007	1	KIT, CLAMP BAR REPLACEMENT
19	20000-483	1	WEIGHT PLATE
20	20000-524	1	COVER PLATE
23	20000-560	1	BUMPER
25	20000-652	1	PANEL, PLACARD
26	20000-662	1	CLAMP BAR
27	20000-655	1	BOTTOM TAB
32	21000-440OM	1	BACK PANEL MORACO
32	21000-440ZZ	1	BACK PANEL
32	21000-440OA	1	BACK PANEL ASPEN
32	21000-440PP	1	BACK PANEL, PLANET FITNESS PURPLE
32	21000-440ON	1	BACK PANEL
32	21000-440OB	1	BACK PANEL BALI
32	21000-440GY	1	BACK PANEL, YOUFIT GREEN
33	21000-441OB	1	FRONT PANEL (MEDIA CENTER) BALI
33	21000-441GY	1	FRONT PANEL (MEDIA CENTER), YOUFIT GREEN
33	21000-441ZZ	1	FRONT PANEL (MEDIA CENTER)
33	21000-441OM	1	FRONT PANEL (MEDIA CENTER) MORACO
33	21000-441OA	1	FRONT PANEL (MEDIA CENTER) ASPEN
33	21000-441PP	1	FRONT PANEL, PLANET FITNESS PURPLE
33	21000-441ON	1	FRONT PANEL (MEDIA CENTER)
34	21000-442ON	1	FRONT PANEL

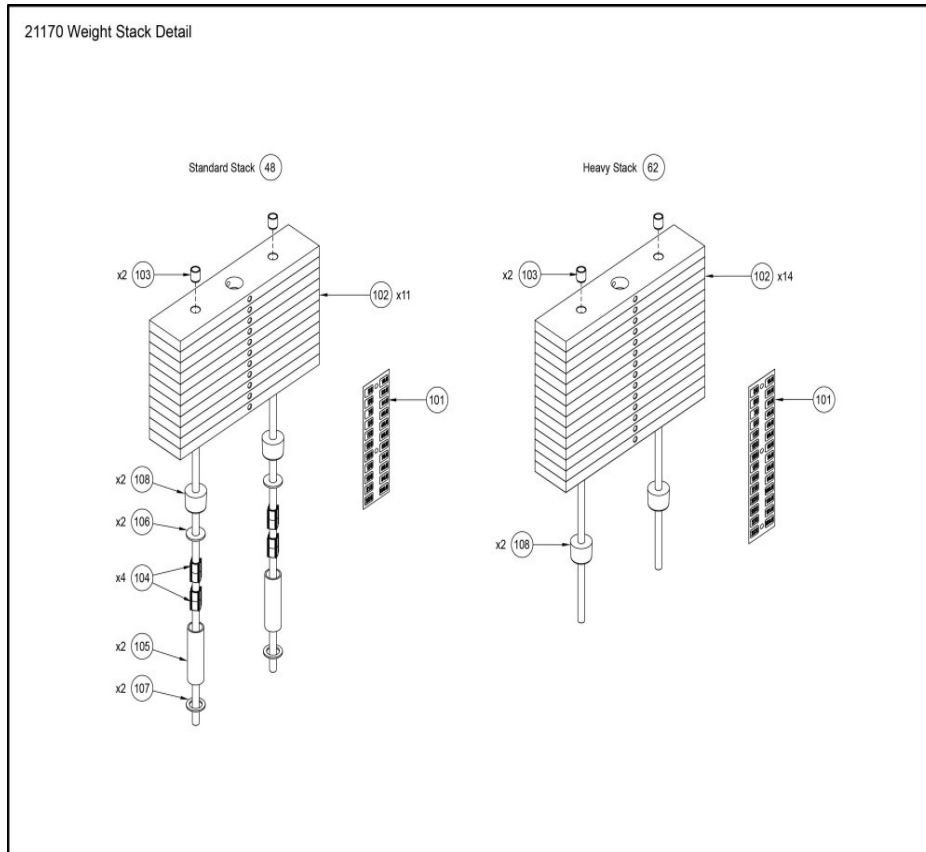
Ref #	Part Number	Qty	Description
34	21000-442GY	1	FRONT PANEL
34	21000-442OA	1	FRONT PANEL ASPEN
34	21000-442ZZ	1	FRONT PANEL
34	21000-442OB	1	FRONT PANEL BALI
34	21000-442PP	1	FRONT PANEL, PLANET FITNESS PURPLE
34	21000-442OM	1	FRONT PANEL MORACO
45	21000-472	2	EXTRUDED GUARD
47	21000-556	1	MEDIA CENTER DECAL
52	21170-598	1	Placard Prestige Glute Custom
53	21170-700	1	DECAL, GLUTE
53	21170-701	1	DECAL, GLUTE
58	20170-704	1	DECAL, GLUTE, SILVER
58	20170-703	1	DECAL, GLUTE, BLACK
64	DE000023	1	Decal Warning Custom
65	DE000025	1	NLA: DECAL, MADE IN U.S.A.
70	HC041008	1	SCREW, FH PHILL. #4 X .250 TYPE AB
84	HT532712	2	FLAT HEAD PHILLIPS #6 X .500 LG TYPE AB
86	HT552509	10	TAP SC NO 8-16 X .31 PLASTITE PN HD PHIL
88	HT552512	2	TAP SC NO. 8-16 X .50 PLASTITE PAN HEAD PHILLIPS BLACK

21170_Top_Plastic_Detail



Ref #	Part Number	Qty	Description
K1	21000K040	1	KIT, PRESTIGE TOP CAP (RH EXIT)
38	21000-454	1	TOP CAP, FRONT
39	21000-455	1	TOP CAP, REAR
40	21000-457	1	TOP CAP INSERT LH
41	21000-459	1	PULLEY COVER ASSEMBLY RH
76	HF579000	4	PANEL FASTENER 10-24 U TYPE
78	HJ582510	4	SEMS 10-32 X .38
87	HT552511	9	TAP SC #8-16 X .38 TAP BLACK PLASTITE
112	HF009000	1	SPEED CLIP U-TYPE

21170_Weight_Stack_Detail



Ref #	Part Number	Qty	Description
48	21030-020	1	
62	21030-021	1	
101	12000-560	1	DECAL WT PLATE (30-290)
102	4000C101	1	C STACK WT 4X18
103	FB130216	2	Bushing Weight Stack
104	12210-352	4	INSERT PLASTIC
105	12210-359	2	TUBE SPACER
106	HS760106	2	WASH FLAT 1.750 .688 .140 T
107	JS497600	2	WASHER 1.19 ID X 1.75 OD X .12 THK
108	PR060005	2	BUMPER WEIGHT

