

Prestige Triceps Press

21180-10

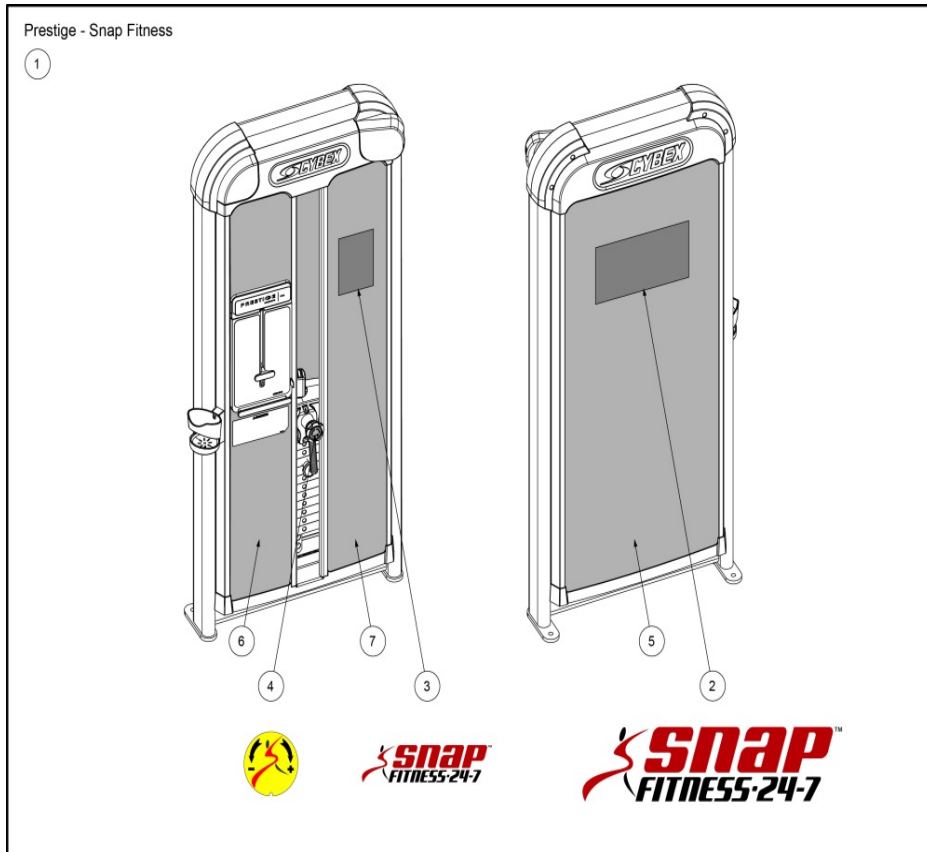
Parts Manual

1/5/2019 4:26:22 AM

Table of Contents

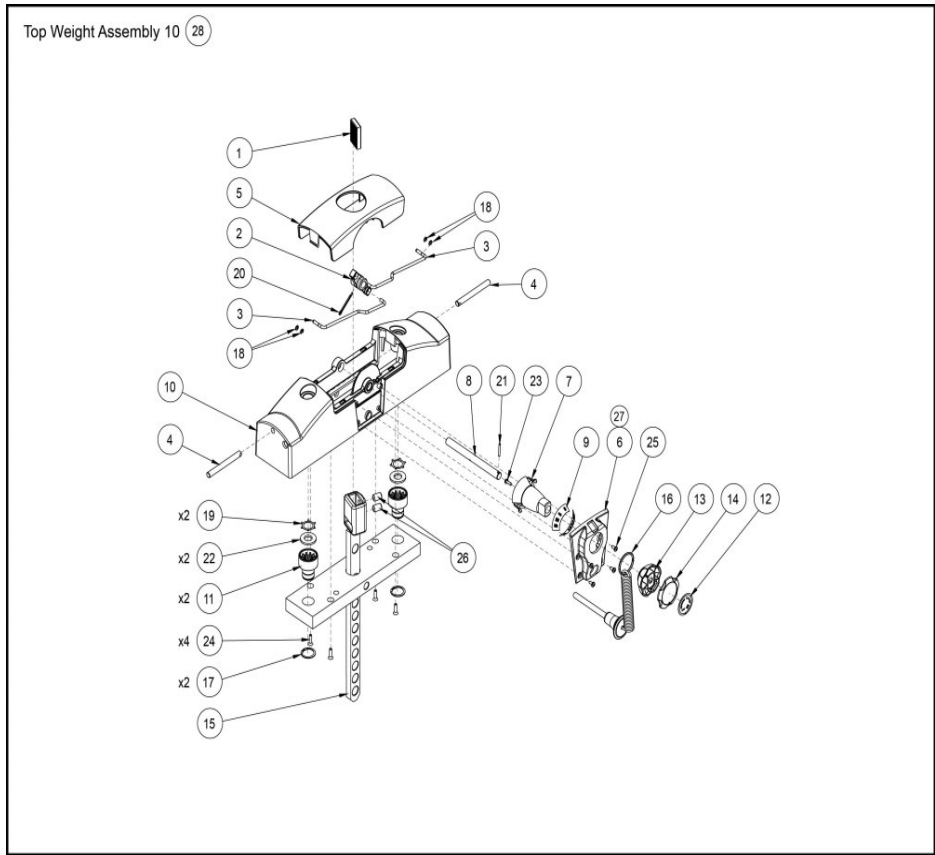
[Prestige - Snap Fitness](#).....3
[Top Weight Assembly 10 - 21000-008](#).....4
[21180 Arm Assembly](#).....6
[21180 Belt Routing](#).....8
[21180 Frame Assembly](#).....9
[21180 Panel Assembly](#).....11
[21180 Pulley Assembly](#).....13
[21180 Seat Assembly](#).....14
[21180 Top Plastic Detail](#).....16
[21180 Weight Stack Detail](#).....17

Prestige - Snap Fitness



Ref #	Part Number	Qty	Description
1	21010-025OS	1	SNAP PANEL INSERT ASSEMBLY
2	21000-409	1	DECAL, SNAP FITNESS 14.00
3	21000-408	1	DECAL, SNAP FITNESS 6.00
4	12000-424	1	Decal Snap Fitness Rotation
5	21000-440ON	1	BACK PANEL
6	21000-441ON	1	FRONT PANEL (MEDIA CENTER)
7	21000-442ON	1	FRONT PANEL

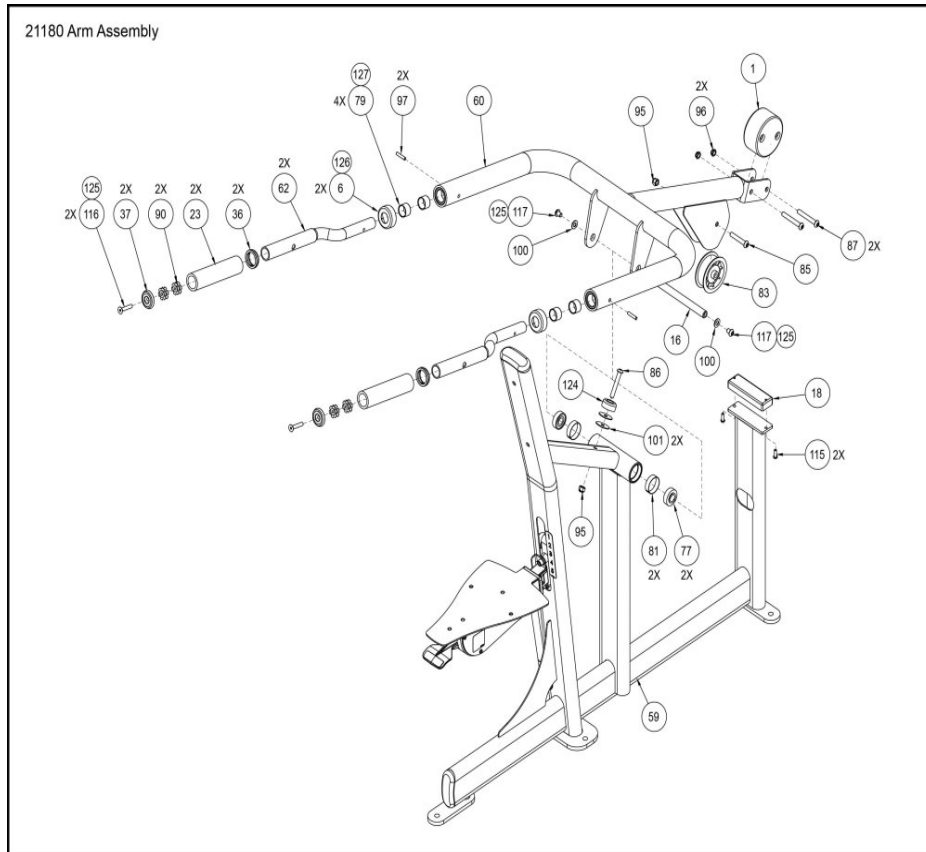
Top Weight Assembly 10 - 21000-008



Ref #	Part Number	Qty	Description
1	11040-301	1	INSERT CLAMP BLOCK
2	11040-367	1	HUB MOLDED
3	11040-369	1	ROD LINKAGE
4	11040-370	2	PIN
5	11040-416	1	COVER TOP WEIGHT
6	11040-424	1	COVER PLATE
7	11040-426	1	STEM
8	11040-427	1	ROD
9	11040-428	1	DECAL ADJUSTMENT
10	11050-366	1	TOP WT ASSY, MOLDED
11	13000-364	2	BEARING FLNG .62 ID X .92 OD X 1.75 LG
12	20000-429	1	ROTATION DECAL
13	20000-476	1	KNOB, BASE
14	20000-477	1	KNOB
15	21000-229	1	C LIFTING POST 10
16	BH030207	1	PIN WEIGHT SELECTOR
17	BR030206	2	RETAINING RING
18	BR030209	4	RETAINING RING .188
19	BR030220	2	RETAINING RING 1.250 INTERNAL
20	HP016820	1	COTTER PIN .125 X 1.25
21	HP266765	1	ROLL PIN .125 X .938
22	HS720004	2	WASHER FELT .641 ID X 1.250 OD X .125 T

Ref #	Part Number	Qty	Description
23	HT552512	1	TAP SC NO. 8-16 X .50 PLASTITE PAN HEAD PHILLIPS BLACK
24	HT562715	4	TAP SC NO 10 X .750 F PHIL
25	HT582510	4	TAP SC NO 10 X .375 PN HD PHIL
26	HY740000	2	SET SCREW
28	21000-008	1	TOP WEIGHT ASSY 10

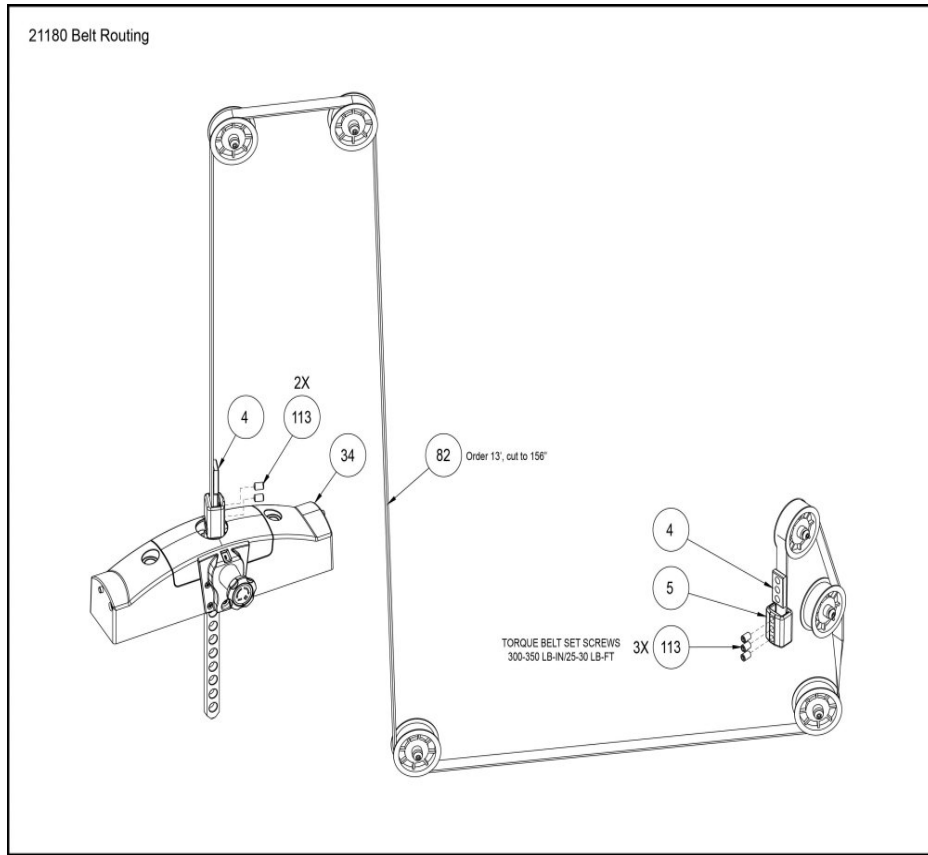
21180_Arm_Assembly



Ref #	Part Number	Qty	Description
1	11010-334	1	COUNTERWEIGHT
6	11100-360	2	END CAP
16	12120-328	1	SHAFT PIVOT
18	12180-324	1	BLOCK STOP
23	12230-353	2	GRIP 7.00
36	21000-355	2	TRIM RING
37	21000-356	2	TRIM RING
59	21180-200	1	W MAIN FRAME Custom
60	21180-201	1	W INPUT ARM Custom
62	21180-207	2	W HANDLE Custom
77	FB030232	2	BRG RADIAL 17MM ID EXT RACE
79	FB130214	4	BRG SLV 1.00 X 1.12 .75 LG
81	FC030006	2	TOLERANCE RING 1.575 ID
83	GP000209	1	PULLEY ASSEMBLY-3.50
85	HC700428	1	BHSCS .375-16 X 2.25
86	HC700430	1	BHSCS .375-16 X 2.50
87	HC700432	2	BHSCS .375-16 X 2.75
90	HF449068	2	INSERT 1.12 X .312-18 UNC
95	HN704901	1	LOCKNUT .375-16 NYLON
96	HN704902	2	LOCKNUT NYLON .375-16
97	HP306820	2	PIN .25 X 1.25
100	HS347600	2	WASHER SAE .375

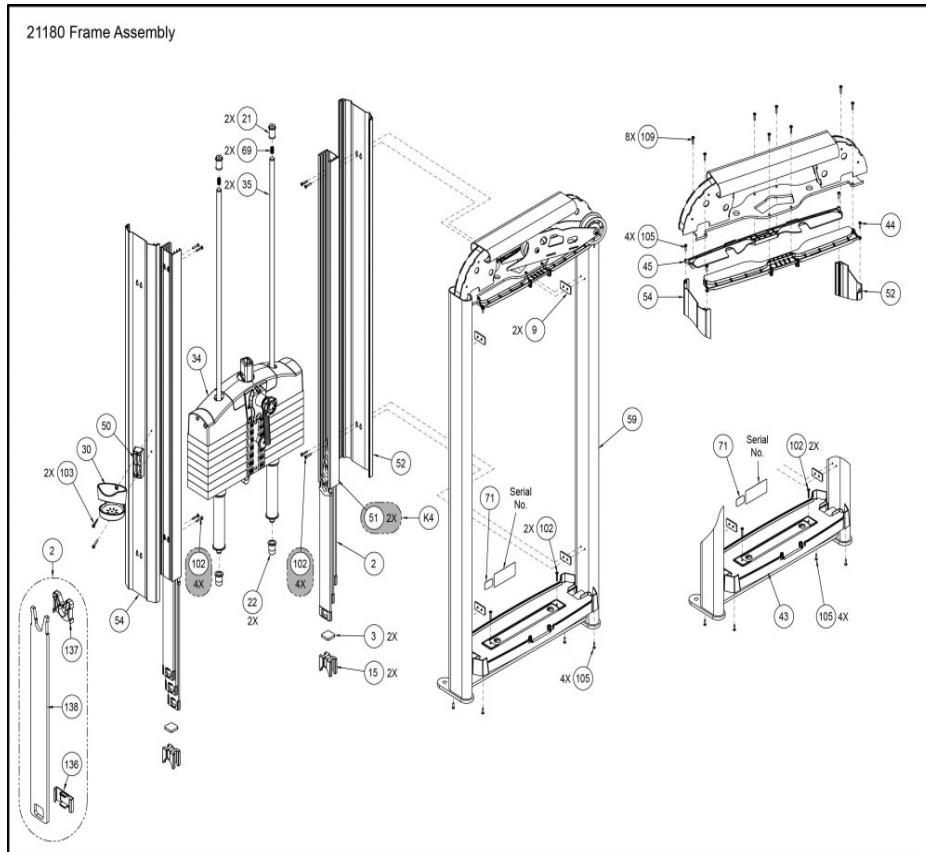
Ref #	Part Number	Qty	Description
101	HS347601	2	WASHER FENDER .375 X 1.500 X .06
115	JC620415	2	BHSCS .250-20 X .75
116	JC661000	2	FHSCS .312-18 X 1.75 LONG
117	JC700412	2	BHSCS .375-16 X .50
124	PR060003	1	BUMPER RECESS
125	YA000201	1	ADH THRD LKR REM .02 OZ 242
126	YA000222	1	ADH BNDG CYANOACRYLATE

21180_Belt_Routing



Ref #	Part Number	Qty	Description
4	11040-568	2	CLAMP BLOCK INSERT
5	11090-210	1	W CLAMP
34	21000-008	1	TOP WEIGHT ASSY 10
82	GB000202	13	BELT .95 WIDE
113	HY740000	4	SET SCREW

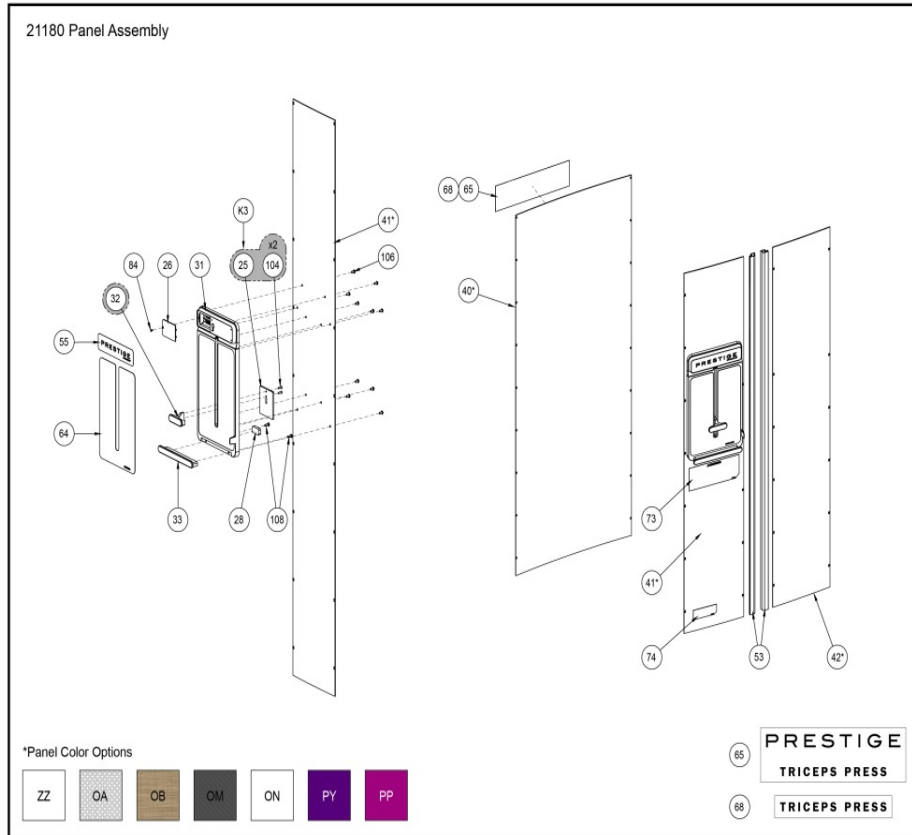
21180_Frame_Assembly



Ref #	Part Number	Qty	Description
3	11040-409	6	BUMPER
K4	21000K002	1	KIT, SHORT INC WT CHANNEL REPLACEMENT (PRESTIGE)
9	12000-398	2	SPACER
15	12102-330	2	INSERT INCREMENT WEIGHT
21	12210-347	2	CAP GUIDE ROD
22	12210-348	2	CAP GUIDE ROD
30	20000-650	1	HOLDER, WATER BOTTLE
34	21000-008	1	TOP WEIGHT ASSY 10
35	21000-350	2	WT ROD .625 X 48.22
43	21000-450	1	BOTTOM TRAY
44	21000-451	1	MOUNT, FRONT
45	21000-452	1	MOUNT, BACK
50	21000-465	1	SPACER
51	21000-580	2	EXTRUSION, INC WT CHANNEL
52	21000-471	1	EXTRUSION, OUTER CHANNEL
54	21000-474	1	EXTRUSION, OUTER CHANNEL (LH HOLES)
59	21180-200	1	W MAIN FRAME Custom
69	BS070208	2	COMP SPRING .396 ID X .480 OD X 1.50 LG
71	CM000211	1	DECAL PATENT
102	HT512517	2	TAP SC 10-24 X 1.00 TYPE WB PN HD PHIL BLK
103	HT512522	2	TAP SC 10-24 X 1.50 TYPE WB PN

Ref #	Part Number	Qty	Description
105	HT542514	4	TAP SC NO 8-32 X .625 A PHIL
109	HT552515	8	TAP SC NO. 8-16 X .75 PLASTITE PN HD PHIL BLK
136	11040-572	6	GUARD INCREMENT WEIGHT
137	11040-578	6	GUARD, INCREMENT WEIGHT
138,2	11040-030	12	INCREMENT WEIGHT S/A
-	CM000202	1	

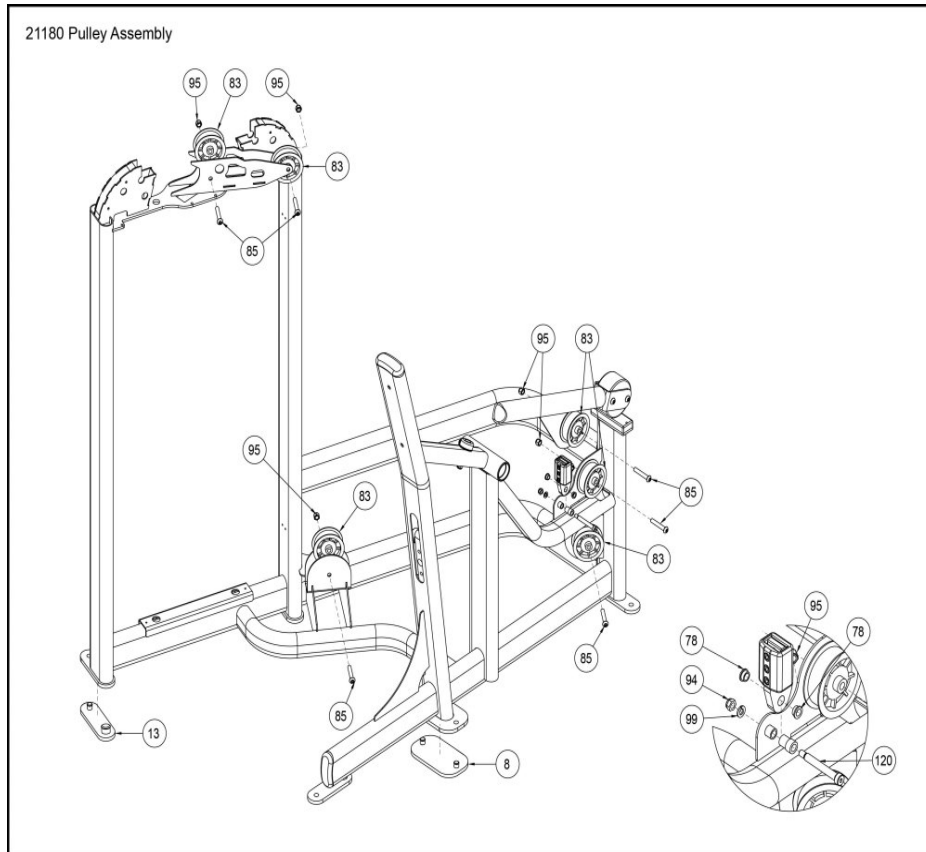
21180_Panel_Assembly



Ref #	Part Number	Qty	Description
K3	20000K007	1	KIT, CLAMP BAR REPLACEMENT
25	20000-483	1	WEIGHT PLATE
26	20000-524	1	COVER PLATE
28	20000-560	1	BUMPER
31	20000-652	1	PANEL, PLACARD
32	20000-662	1	CLAMP BAR
33	20000-655	1	BOTTOM TAB
40	21000-440OA	1	BACK PANEL ASPEN
40	21000-440ZZ	1	BACK PANEL
40	21000-440OB	1	BACK PANEL BALI
40	21000-440PY	1	BACK PANEL, YOUFIT PURPLE
40	21000-440OM	1	BACK PANEL MORACO
40	21000-440ON	1	BACK PANEL
40	21000-440PP	1	BACK PANEL, PLANET FITNESS PURPLE
41	21000-441OA	1	FRONT PANEL (MEDIA CENTER) ASPEN
41	21000-441ZZ	1	FRONT PANEL (MEDIA CENTER)
41	21000-441OM	1	FRONT PANEL (MEDIA CENTER) MORACO
41	21000-441OB	1	FRONT PANEL (MEDIA CENTER) BALI
41	21000-441PP	1	FRONT PANEL, PLANET FITNESS PURPLE
41	21000-441ON	1	FRONT PANEL (MEDIA CENTER)
41	21000-441PY	1	FRONT PANEL (MEDIA CENTER), YOUFIT PURPLE
42	21000-442PY	1	FRONT PANEL

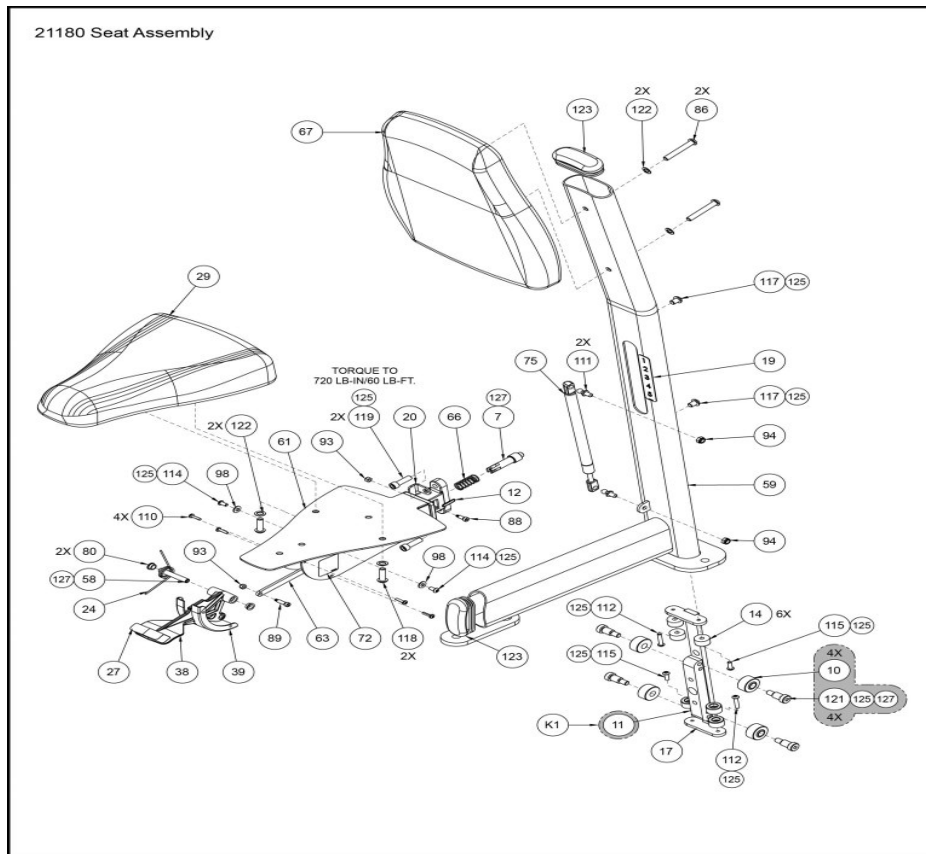
Ref #	Part Number	Qty	Description
42	21000-442OA	1	FRONT PANEL ASPEN
42	21000-442OM	1	FRONT PANEL MORACO
42	21000-442ZZ	1	FRONT PANEL
42	21000-442OB	1	FRONT PANEL BALI
42	21000-442ON	1	FRONT PANEL
42	21000-442PP	1	FRONT PANEL, PLANET FITNESS PURPLE
53	21000-472	2	EXTRUDED GUARD
55	21000-556	1	MEDIA CENTER DECAL
64	21180-598	1	Placard Prestige TriPress Custom
65	21180-700	1	DECAL, TRICEPS PRESS
65	21180-701	1	DECAL, TRICEPS PRESS
68	21180-704	1	DECAL, TRICEPS PRESS, SILVER
68	21180-703	1	DECAL, TRICEPS PRESS, BLACK
73	DE000023	1	Decal Warning Custom
74	DE000025	1	NLA: DECAL, MADE IN U.S.A.
84	HC041008	1	SCREW, FH PHILL. #4 X .250 TYPE AB
104	HT532712	2	FLAT HEAD PHILLIPS #6 X .500 LG TYPE AB
106	HT552509	10	TAP SC NO 8-16 X .31 PLASTITE PN HD PHIL
108	HT552512	2	TAP SC NO. 8-16 X .50 PLASTITE PAN HEAD PHILLIPS BLACK

21180_Pulley_Assembly



Ref #	Part Number	Qty	Description
8	12000-345	1	FOOT PAD 4.00 X 7.00
13	12090-322	4	PAD FOOT
78	FB050211	2	BRG FLG .38 X .50 .25 LG
83	GP000209	6	PULLEY ASSEMBLY-3.50
85	HC700428	6	BHSCS .375-16 X 2.25
94	HN664900	1	LOCKNUT .312-18 NYLON INSERT
95	HN704901	6	LOCKNUT .375-16 NYLON
99	HS328300	1	LOCKWASHER SPLIT .312
120	JD343330	1	S BOLT .375 X 2.50 .312-18

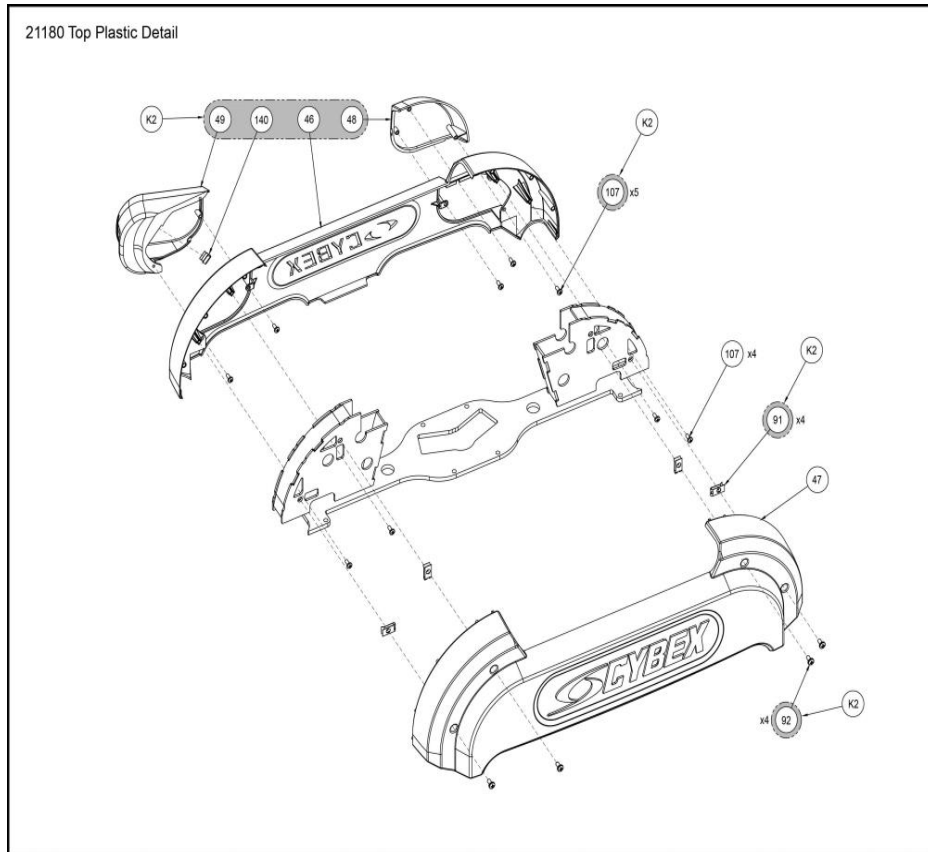
21180_Seat_Assembly



Ref #	Part Number	Qty	Description
7	12000-339	1	PIN DETENT
10,11,K1	12000K012	6	KIT. ROLLER ASSEMBLY
12	12070-394	1	DECAL INDICATOR
14	12100-303	6	BUMPER
17	12180-204	1	P DETENT BAR
19	12180-335	1	DECAL ADJUSTING
20	12190-354	1	MOUNT GAS SPRING
24	20000-456	1	TORSION SPRING
27	20000-536	1	DECAL
29	20000-631	1	CUSHION SA BIKE 15" MOLDED Custom
38	21000-375	1	HANDLE
39	21000-376	1	COVER, SEAT FRONT
58	21010-350	1	PIVOT SHAFT
59	21180-200	1	W MAIN FRAME Custom
61	21180-206	1	W SEAT BOTTOM Custom
63	21180-322	1	LINK BAR
66	4715-346	1	COM SPRING .72 X 1.50 LG
67	4800-464	1	CUSHION SA BACK 18" MOLDED Custom
72	DE000019	1	Decal Caution Custom
75	EZ000008	1	GAS SPRING 100N
80	FB130219	2	BRG, FLG .375 X .500 X .250 LG
86	HC700430	2	BHSCS .375-16 X 2.50

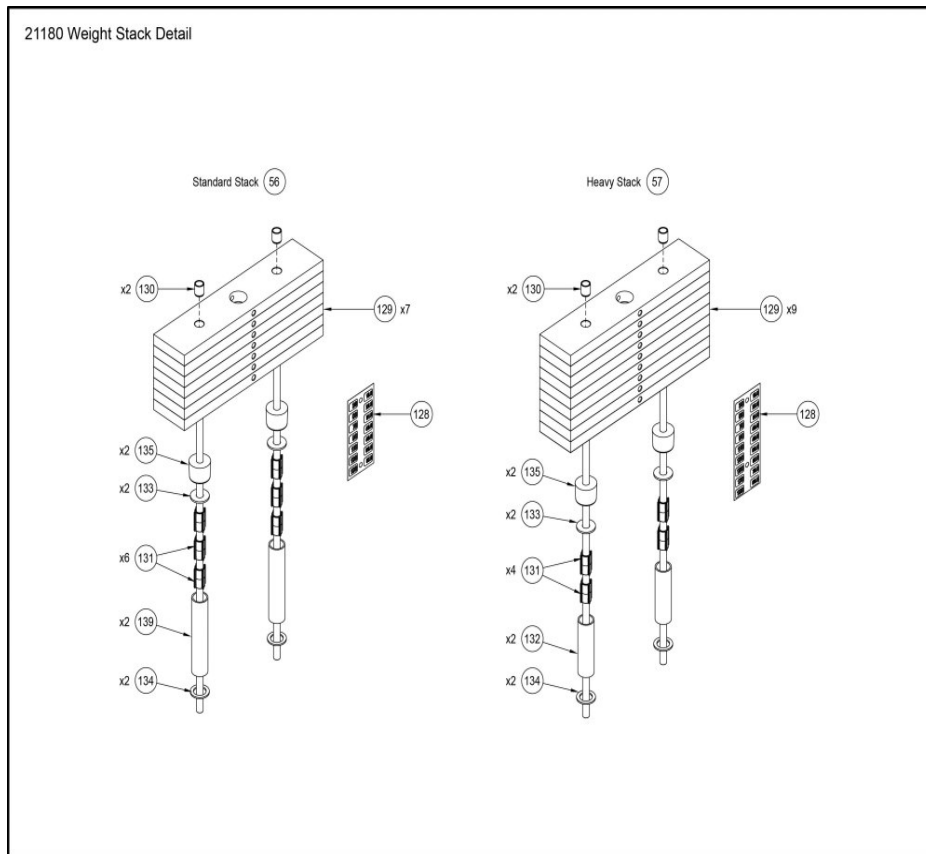
Ref #	Part Number	Qty	Description
88	HD303312	1	S BOLT .250 X .500 .190-10-24
89	HD303315	1	S Bolt .250 x .750 .190-10-24
93	HN575100	2	LOCKNUT .190-NO 10-24
94	HN664900	2	LOCKNUT .312-18 NYLON INSERT
98	HS307600	2	WASHER SAE .250
110	HT572514	4	TAP SC NO. 10-24 X .75 PN HD PHIL
111	HX-60184	2	BALL,STUD,5/16 -18X10MM
112	HX620420	2	BHSCS .250-20 X 1.250
114	JC620412	2	BHSCS .250-20 X .50
115	JC620415	2	BHSCS .250-20 X .75
117	JC700412	2	BHSCS .375-16 X .50
118	JC700420	2	BHSCS .375-16 X 1.25
119	JC702820	2	SHCS .375-16 X 1.25
121	JD383315	4	S BOLT .500 X .75 .375-16
122	JS347400	2	LOCKWASHER INT TOOTH .375
123	PP130002	2	INSERT DOMED PLASTIC
125	YA000201	1	ADH THRD LKR REM .02 OZ 242

21180_Top_Plastic_Detail



Ref #	Part Number	Qty	Description
K2	21000K040	1	KIT, PRESTIGE TOP CAP (RH EXIT)
46	21000-454	1	TOP CAP, FRONT
47	21000-455	1	TOP CAP, REAR
48	21000-457	1	TOP CAP INSERT LH
49	21000-459	1	PULLEY COVER ASSEMBLY RH
91	HF579000	4	PANEL FASTENER 10-24 U TYPE
92	HJ582510	4	SEMS 10-32 X .38
107	HT552511	9	TAP SC #8-16 X .38 TAP BLACK PLASTITE
140	HF009000	1	SPEED CLIP U-TYPE

21180_Weight_Stack_Detail



Ref #	Part Number	Qty	Description
56	21010-020	1	
57	21010-021	1	
128	12000-560	1	DECAL WT PLATE (30-290)
129	4000C101	1	C STACK WT 4X18
130	FB130216	2	Bushing Weight Stack
131	12210-352	6	INSERT PLASTIC
132	12210-359	2	TUBE SPACER
133	HS760106	2	WASH FLAT 1.750 .688 .140 T
134	JS497600	2	WASHER 1.19 ID X 1.75 OD X .12 THK
135	PR060005	2	BUMPER WEIGHT
139	21010-343	2	SPACER TUBE

