

PRESTIGE DIP/CHIN ASSIST

21230-01

Parts Manual

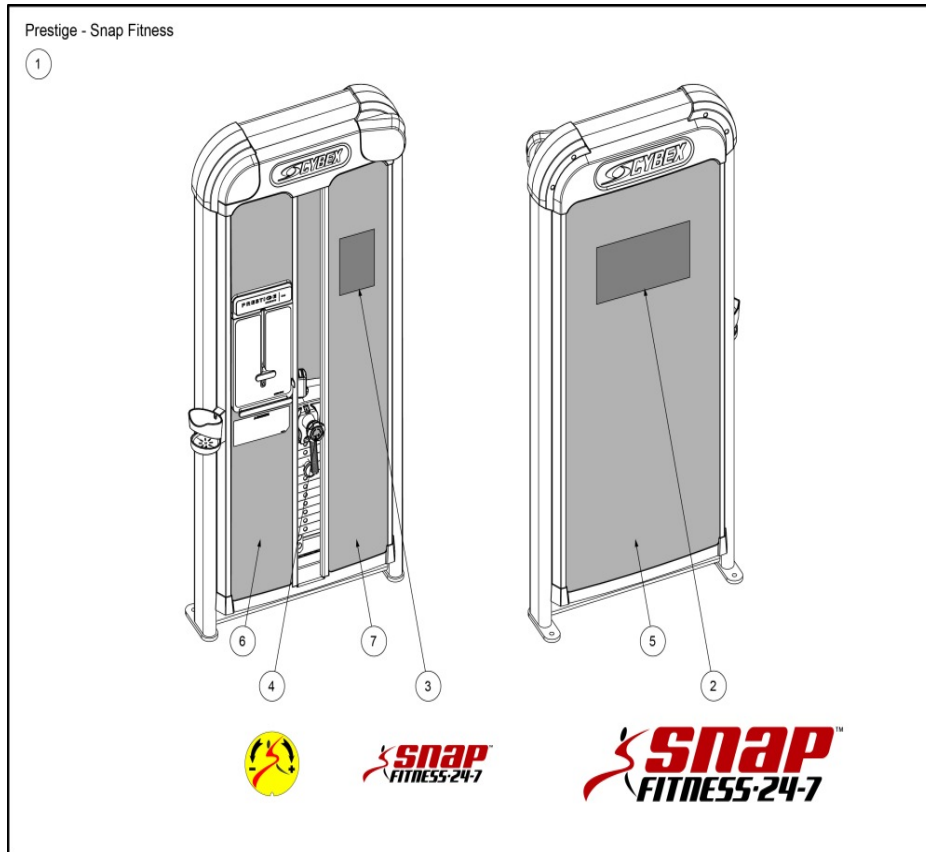
1/5/2019 4:27:47 AM



Table of Contents

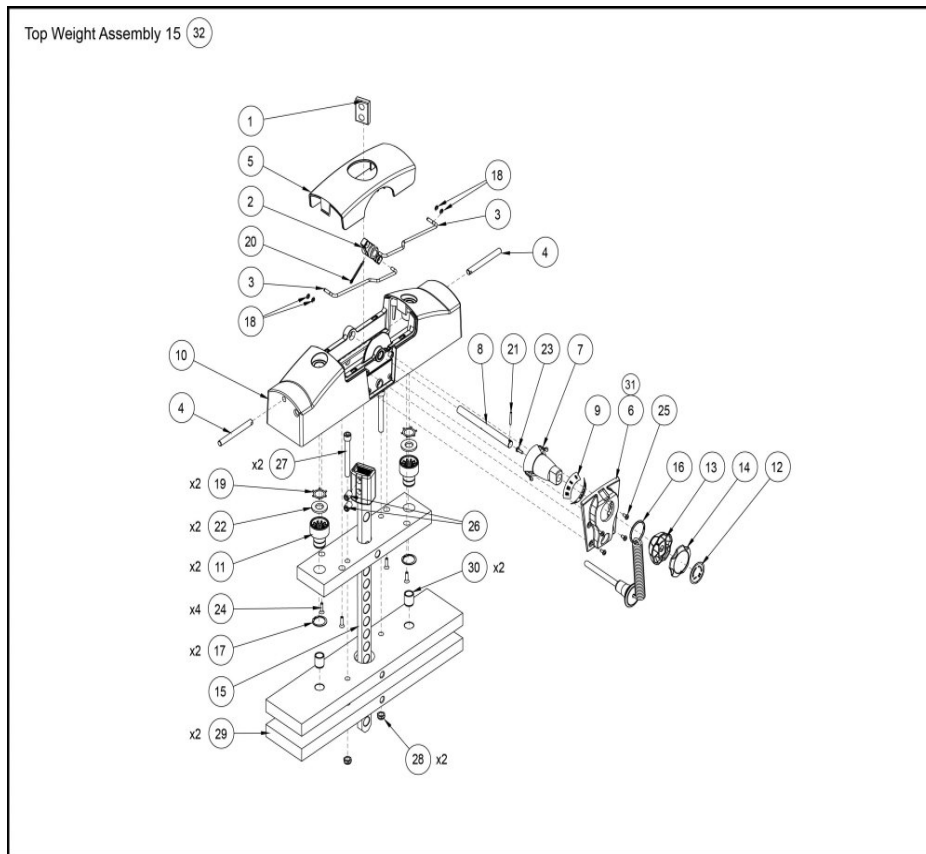
Prestige - Snap Fitness.....	3
Top Weight Assembly 15 21000-018.....	4
21230 Belt Routing.....	6
21230 Foot Bar Assembly.....	7
21230 Frame Assembly.....	9
21230 Lower Handle Assembly.....	10
21230 Panel Assembly.....	11
21230 Panel Mount Assembly.....	13
21230 Step Assembly.....	15
21230 Top Plastic Detail.....	16
21230 Upper Handle Assembly.....	17
21230 Weight Stack Detail.....	18

Prestige - Snap Fitness



Ref #	Part Number	Qty	Description
1	21010-025OS	1	SNAP PANEL INSERT ASSEMBLY
2	21000-409	1	DECAL, SNAP FITNESS 14.00
3	21000-408	1	DECAL, SNAP FITNESS 6.00
4	12000-424	1	Decal Snap Fitness Rotation
5	21000-440ON	1	BACK PANEL
6	21000-441ON	1	FRONT PANEL (MEDIA CENTER)
7	21000-442ON	1	FRONT PANEL

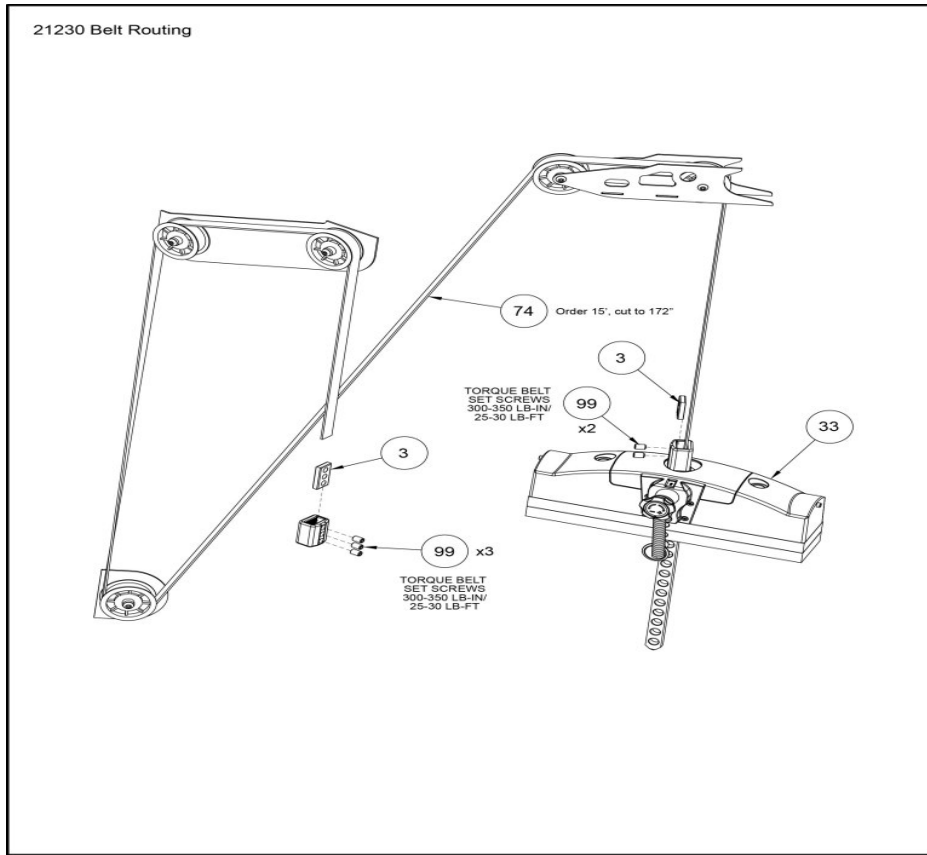
Top_Weight_Assembly_15_21000-018



Ref #	Part Number	Qty	Description
1	11040-301	1	INSERT CLAMP BLOCK
2	11040-367	1	HUB MOLDED
3	11040-369	1	ROD LINKAGE
4	11040-370	2	PIN
5	11040-416	1	COVER TOP WEIGHT
6	11040-424	1	COVER PLATE
7	11040-426	1	STEM
8	11040-427	1	ROD
9	12230-351	1	DECAL ADJUSTMENT
10	11050-366	1	TOP WT ASSY, MOLDED
11	13000-364	2	BEARING FLNG .62 ID X .92 OD X 1.75 LG
12	20000-429	1	ROTATION DECAL
13	20000-476	1	KNOB, BASE
14	20000-477	1	KNOB
15	21000-231	1	C LIFTING POST 15
16	BH030207	1	PIN WEIGHT SELECTOR
17	BR030206	2	RETAINING RING
18	BR030209	4	RETAINING RING .188
19	BR030220	2	RETAINING RING 1.250 INTERNAL
20	HP016820	1	COTTER PIN .125 X 1.25
21	HP266765	1	ROLL PIN .125 X .938
22	HS720004	2	WASHER FELT .641 ID X 1.250 OD X .125 T

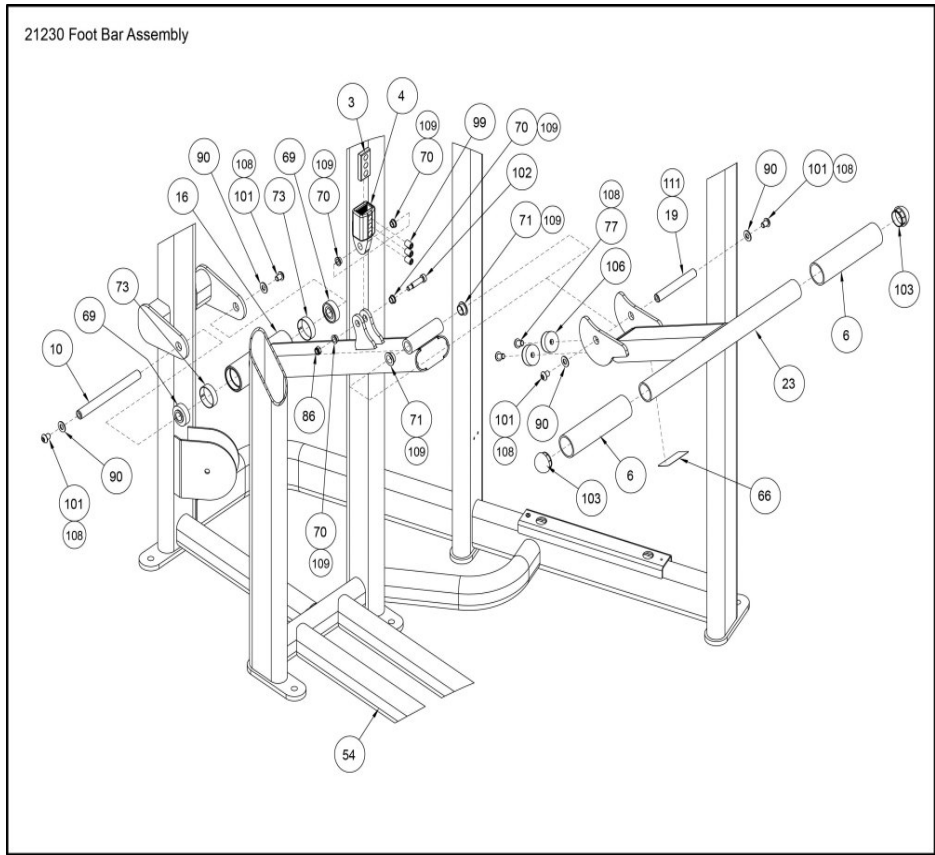
Ref #	Part Number	Qty	Description
23	HT552512	1	TAP SC NO. 8-16 X .50 PLASTITE PAN HEAD PHILLIPS BLACK
24	HT562715	4	TAP SC NO 10 X .750 F PHIL
25	HT582510	4	TAP SC NO 10 X .375 PN HD PHIL
26	HY740000	2	SET SCREW
27	HC702834	2	SHCS .375-16 X 3.00
28	HN704902	2	LOCKNUT NYLON .375-16
29	11030-348	2	C WEIGHT 4 X 18
30	FB130216	4	Bushing Weight Stack
31	YG000002	1	NLA: Please use Lithium Grease
32	21000-018	1	TOP WEIGHT ASSY 15

21230_Belt_Routing



Ref #	Part Number	Qty	Description
3	11040-568	2	CLAMP BLOCK INSERT
33	21000-018	1	TOP WEIGHT ASSY 15
74	GB000202	15	BELT .95 WIDE
99	HY740000	5	SET SCREW

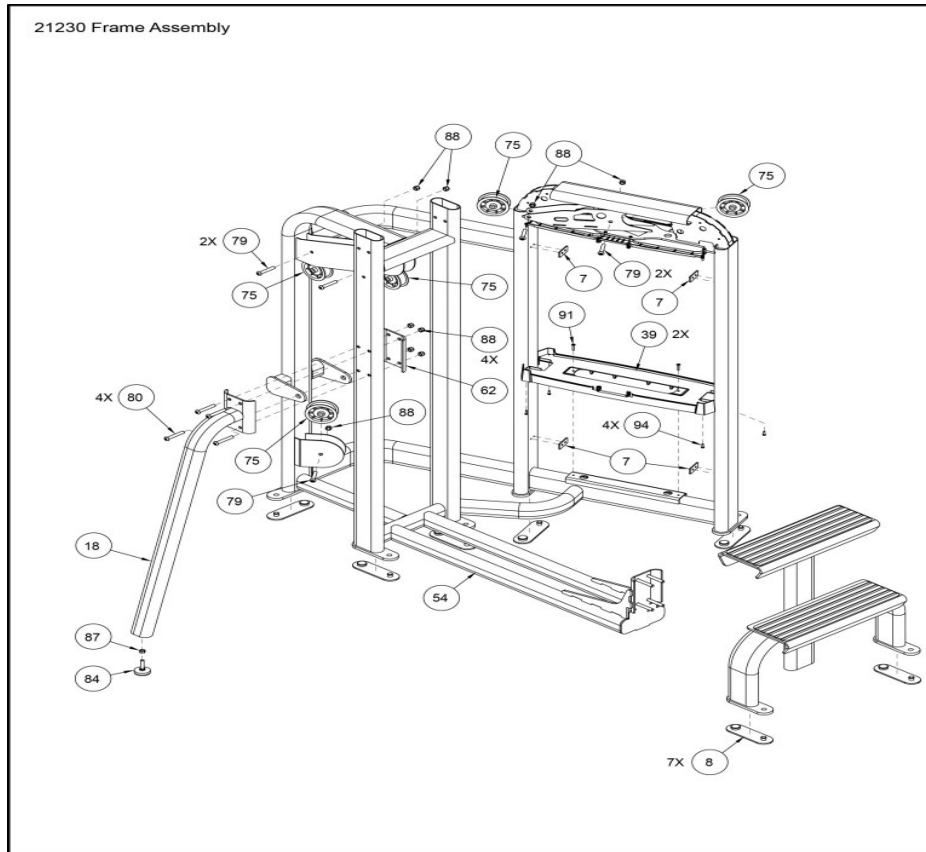
21230_Foot_Bar_Assembly



Ref #	Part Number	Qty	Description
3	11040-568	1	CLAMP BLOCK INSERT
4	11090-210	1	W CLAMP
6	11190-350	2	Grip 7.00
10	12120-328	1	SHAFT PIVOT
16	12230-204	1	W INPUT BAR Custom
19	12230-335	1	PIN PIVOT
23	12231-206	1	W Foot Bar Custom
54	21230-200	1	W MAIN FRAME Custom
66	DE000004	1	Decal Caution Custom
69	FB030232	2	BRG RADIAL 17MM ID EXT RACE
70	FB050211	2	BRG FLG .38 X .50 .25 LG
71	FB130205	2	BRG FLG .62 X .75 .38 LG
73	FC030006	2	TOLERANCE RING 1.575 ID
77	HC700414	2	BHSCS .375-16 X .62
86	HN664900	1	LOCKNUT .312-18 NYLON INSERT
90	HS347600	2	WASHER SAE .375
99	HY740000	3	SET SCREW
101	JC700412	2	BHSCS .375-16 X .50
102	JD343320	1	S BOLT .375 X 1.25 .312-18
103	08001	2	PLUG 1.50
106	PR060003	2	BUMPER RECESS
108	YA000201	1	ADH THRD LKR REM .02 OZ 242

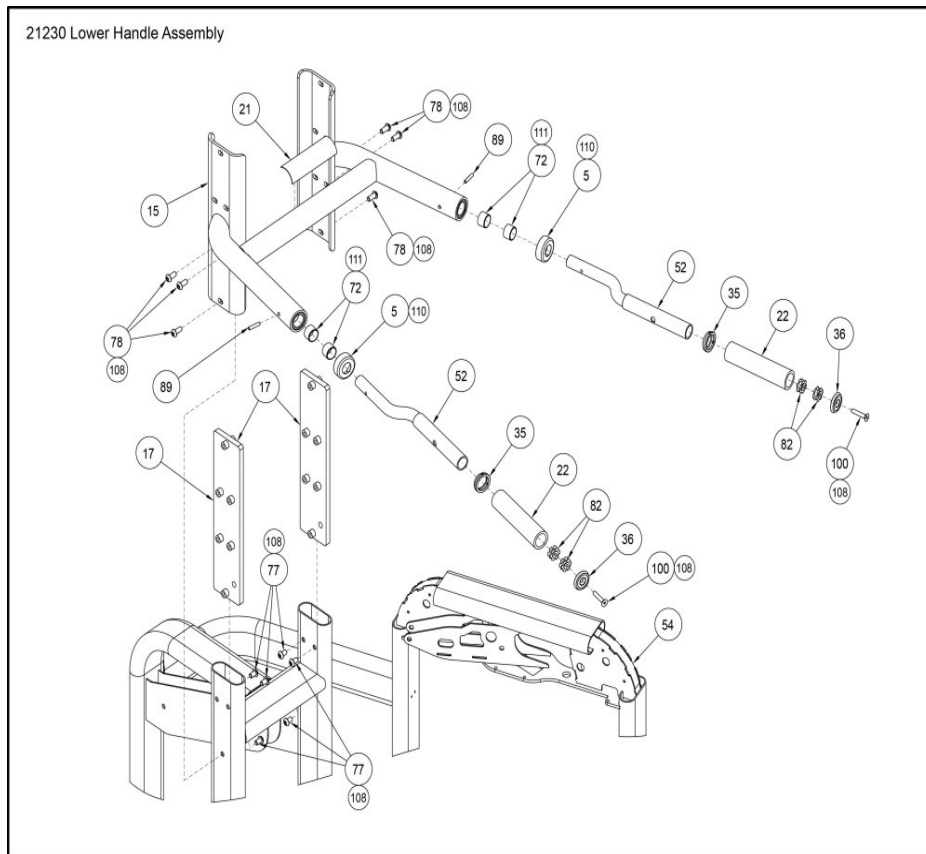
Ref #	Part Number	Qty	Description
109	YA000222	1	ADH BNDG CYANOACRYLATE
111	YG000002	1	NLA: Please use Lithium Grease

21230_Frame_Assembly



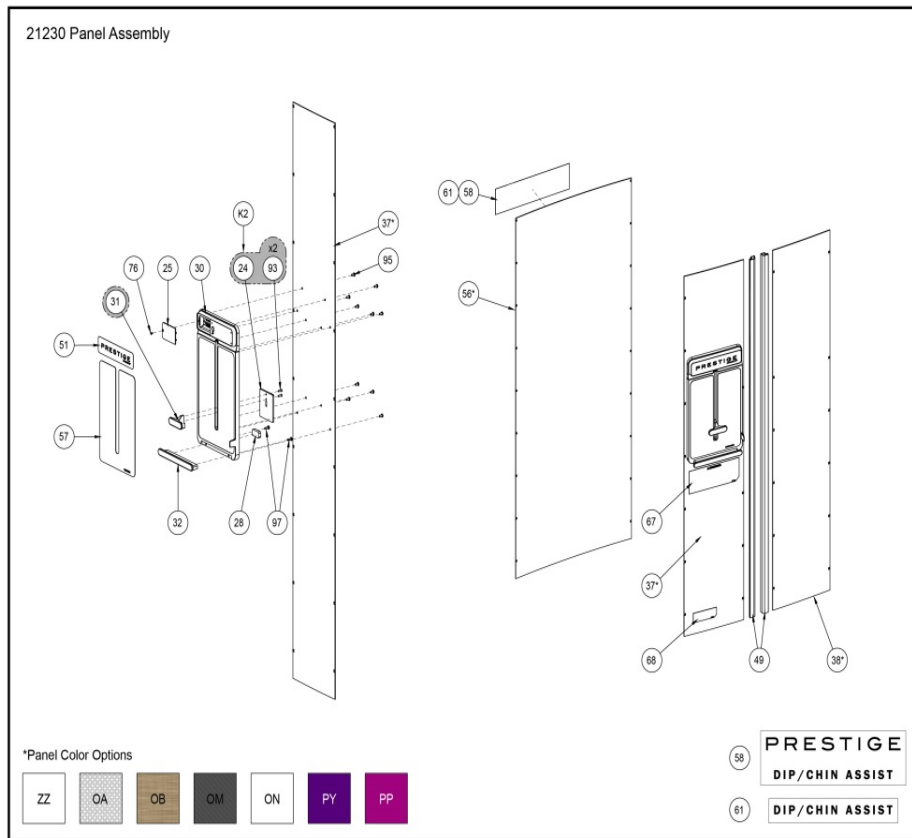
Ref #	Part Number	Qty	Description
7	12000-398	4	SPACER
8	12090-322	7	PAD FOOT
18	12230-208	1	W SUPPORT LEG Custom
39	21000-450	1	BOTTOM TRAY
54	21230-200	1	W MAIN FRAME Custom
62	610A-329	1	BRACKET DISPLAY MOUNT LOWER
75	GP000209	5	PULLEY ASSEMBLY-3.50
79	HC700428	2	BHSCS .375-16 X 2.25
80	HC700430	4	BHSCS .375-16 X 2.50
84	HG700022	1	LEVELING GLIDE 3-8-16
87	HN704000	1	HEX NUT .375-16
88	HN704901	8	LOCKNUT .375-16 NYLON
91	HT512517	4	TAP SC 10-24 X 1.00 TYPE WB PN HD PHIL BLK
94	HT542514	4	TAP SC NO 8-32 X .625 A PHIL

21230_Lower_Handle_Assembly



Ref #	Part Number	Qty	Description
5	11100-360	2	END CAP
15	12230-203	1	W DIP HANDLES Custom
17	12230-205	2	W CONNECTION PLATE
21	12230-352	1	Decal Warning Custom
22	12230-353	2	GRIP 7.00
35	21000-355	2	TRIM RING
36	21000-356	2	TRIM RING
52	21180-207	2	W HANDLE Custom
54	21230-200	1	W MAIN FRAME Custom
72	FB130214	4	BRG SLV 1.00 X 1.12 .75 LG
77	HC700414	6	BHSCS .375-16 X .62
78	HC700416	4	BHSCS .375-16 X .875
82	HF449068	4	INSERT 1.12 X .312-18 UNC
89	HP306820	2	PIN .25 X 1.25
100	JC661000	2	FHSCS .312-18 X 1.75 LONG
108	YA000201	1	ADH THRD LKR REM .02 OZ 242
110	YA000222	1	ADH BNDG CYANOACRYLATE
111	YG000002	1	NLA: Please use Lithium Grease

21230_Panel_Assembly

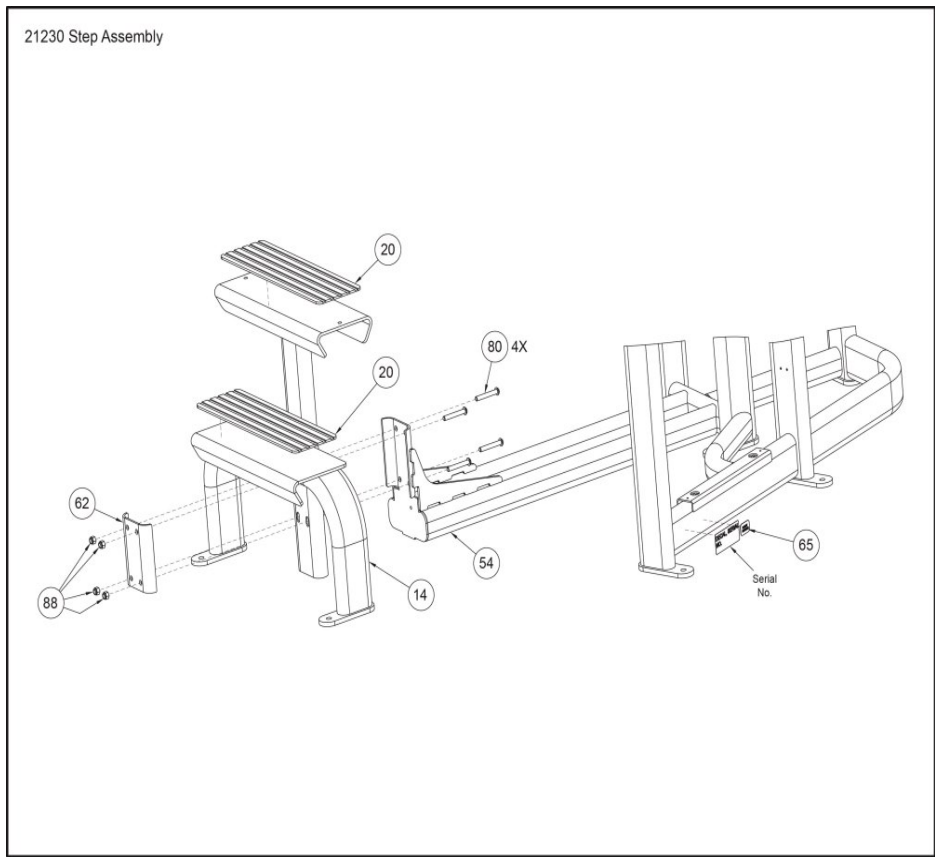


Ref #	Part Number	Qty	Description
K2	20000K007	1	KIT, CLAMP BAR REPLACEMENT
24	20000-483	1	WEIGHT PLATE
25	20000-524	1	COVER PLATE
28	20000-560	1	BUMPER
30	20000-652	1	PANEL, PLACARD
31	20000-662	1	CLAMP BAR
32	20000-655	1	BOTTOM TAB
37	21000-441OB	1	FRONT PANEL (MEDIA CENTER) BALI
37	21000-441ZZ	1	FRONT PANEL (MEDIA CENTER)
37	21000-441OM	1	FRONT PANEL (MEDIA CENTER) MORACO
37	21000-441PP	1	FRONT PANEL, PLANET FITNESS PURPLE
37	21000-441ON	1	FRONT PANEL (MEDIA CENTER)
37	21000-441OA	1	FRONT PANEL (MEDIA CENTER) ASPEN
37	21000-441PY	1	FRONT PANEL (MEDIA CENTER), YOUFIT PURPLE
38	21000-442ON	1	FRONT PANEL
38	21000-442OM	1	FRONT PANEL MORACO
38	21000-442ZZ	1	FRONT PANEL
38	21000-442OA	1	FRONT PANEL ASPEN
38	21000-442PY	1	FRONT PANEL
38	21000-442PP	1	FRONT PANEL, PLANET FITNESS PURPLE
38	21000-442OB	1	FRONT PANEL BALI
49	21000-472	1	EXTRUDED GUARD

Ref #	Part Number	Qty	Description
51	21000-556	1	MEDIA CENTER DECAL
56	21230-440ZZ	1	BACK PANEL, CUSTOM
56	21230-440ON	1	BACK PANEL
56	21230-440OB	1	BACK PANEL,BALI
56	21230-440PY	1	BACK PANEL, YOUFIT PURPLE
56	21230-440PP	1	BACK PANEL, PLANET FITNESS PURPLE
56	21230-440OA	1	BACK PANEL, ASPEN
56	21230-440OM	1	BACK PANEL,MONACO
57	21230-598	1	Placard Prestige Chin A Custom
58	21230-701	1	DECAL, DIP/CHIN ASSIST
58	21230-700	1	DECAL, DIP/CHIN ASSIST
61	21230-704	1	DECAL, DIP/CHIN ASSIST
61	21230-703	1	DECAL, DIP/CHIN ASSIST
67	DE000023	1	Decal Warning Custom
68	DE000025	1	NLA: DECAL, MADE IN U.S.A.
76	HC041008	1	SCREW, FH PHILL. #4 X .250 TYPE AB
93	HT532712	2	FLAT HEAD PHILLIPS #6 X .500 LG TYPE AB
95	HT552509	10	TAP SC NO 8-16 X .31 PLASTITE PN HD PHIL
97	HT552512	2	TAP SC NO. 8-16 X .50 PLASTITE PAN HEAD PHILLIPS BLACK

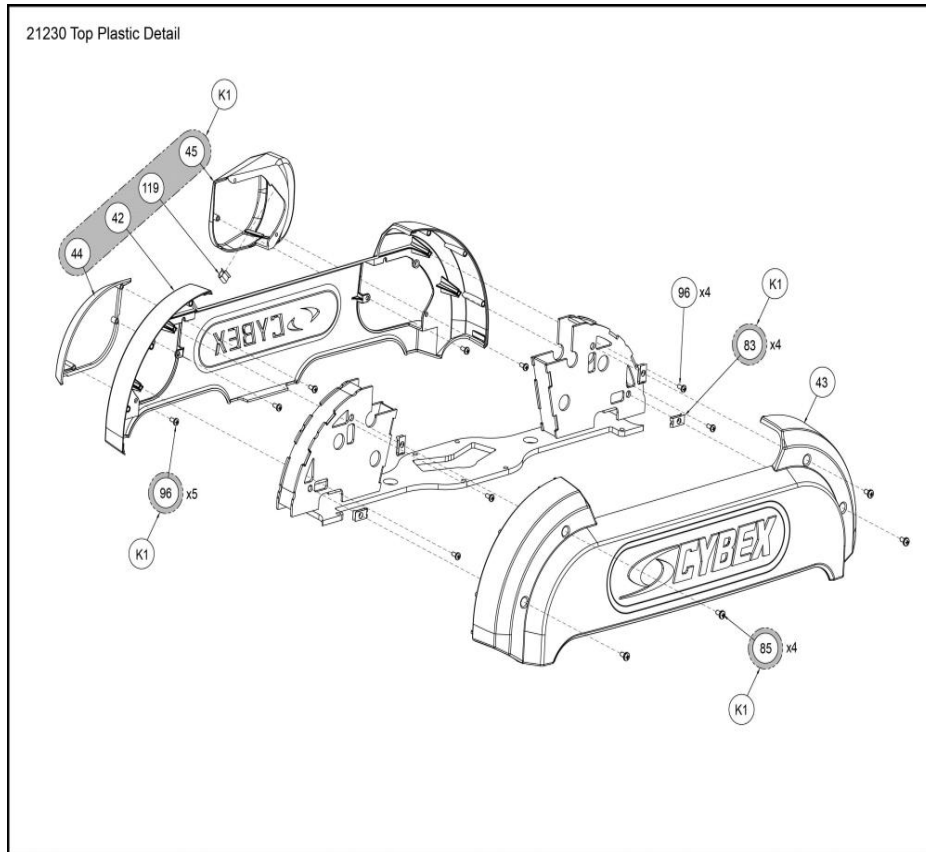
Ref #	Part Number	Qty	Description
116	11040-572	6	GUARD INCREMENT WEIGHT
117	11040-578	6	GUARD, INCREMENT WEIGHT

21230_Step_Assembly



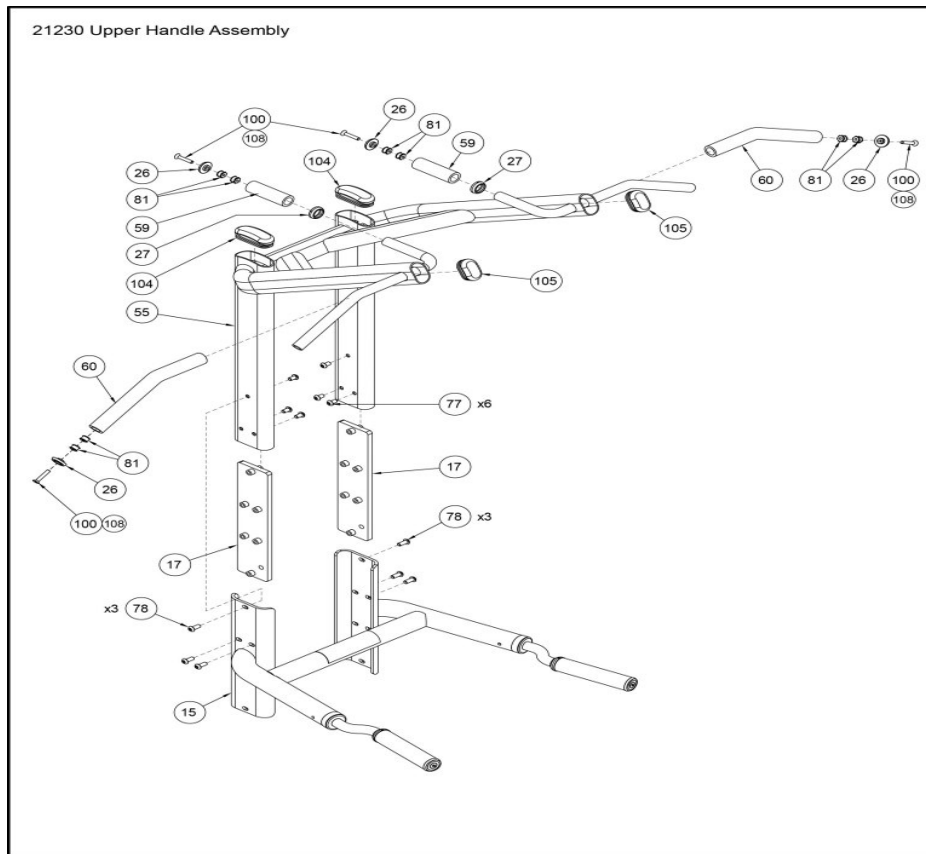
Ref #	Part Number	Qty	Description
14	12230-202	1	W STEP FRAME Custom
20	12230-337	2	NON-SLIP
54	21230-200	1	W MAIN FRAME Custom
62	610A-329	1	BRACKET DISPLAY MOUNT LOWER
65	CM000211	1	DECAL PATENT
80	HC700430	4	BHSCS .375-16 X 2.50
88	HN704901	4	LOCKNUT .375-16 NYLON
NA	CM000202	1	

21230_Top_Plastic_Detail



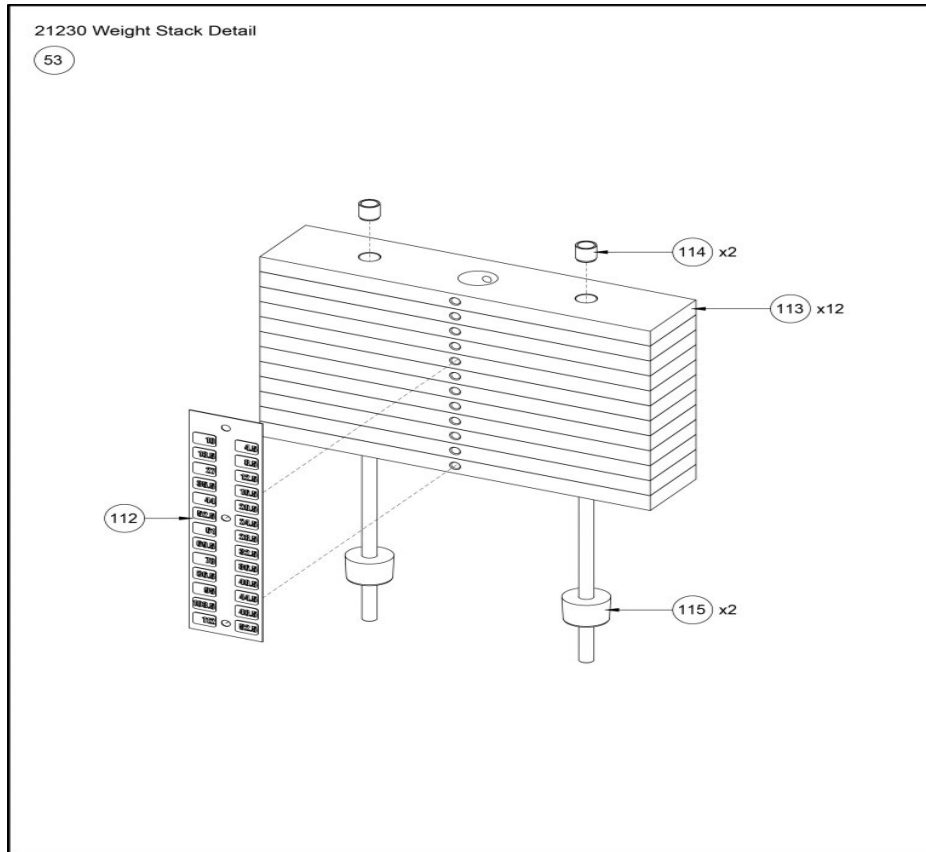
Ref #	Part Number	Qty	Description
K1	21000K041	1	KIT, PRESTIGE TOP CAP (LH EXIT)
42	21000-454	1	TOP CAP, FRONT
43	21000-455	1	TOP CAP, REAR
44	21000-460	1	TOP CAP INSERT RH
45	21000-462	1	PULLEY COVER ASSEMBLY LH
83	HF579000	4	PANEL FASTENER 10-24 U TYPE
85	HJ582510	4	SEMS 10-32 X .38
96	HT552511	9	TAP SC #8-16 X .38 TAP BLACK PLASTITE
119	HF009000	1	SPEED CLIP U-TYPE

21230_Upper_Handle_Assembly



Ref #	Part Number	Qty	Description
15	12230-203	1	W DIP HANDLES Custom
17	12230-205	2	W CONNECTION PLATE
26	20000-525	2	TRIM RING
27	20000-526	2	TRIM RING
55	21230-201	1	W CHIN HANDLES Custom
59	4605-505	2	GRAB GRIP 4.25
60	4605-523	2	GRAB GRIP 13.25
77	HC700414	6	BHSCS .375-16 X .62
78	HC700416	6	BHSCS .375-16 X .875
81	HF449066	4	INSERT 3/4 X 5/16-18 UNC
100	JC661000	2	FHSCS .312-18 X 1.75 LONG
104	PP130002	2	INSERT DOMED PLASTIC
105	PP130003	2	INSERT PLASTIC
108	YA000201	1	ADH THRD LKR REM .02 OZ 242

21230_Weight_Stack_Detail



Ref #	Part Number	Qty	Description
53	21230-020	1	STACK ASSEMBLY 12
112	12230-350	1	DECAL WEIGHT PLATE 10-112
113	4000C101	12	C STACK WT 4X18
114	FB130216	2	Bushing Weight Stack
115	PR060005	2	BUMPER WEIGHT

