

Prestige Seated Leg Curl Start RLD TA

21461-10

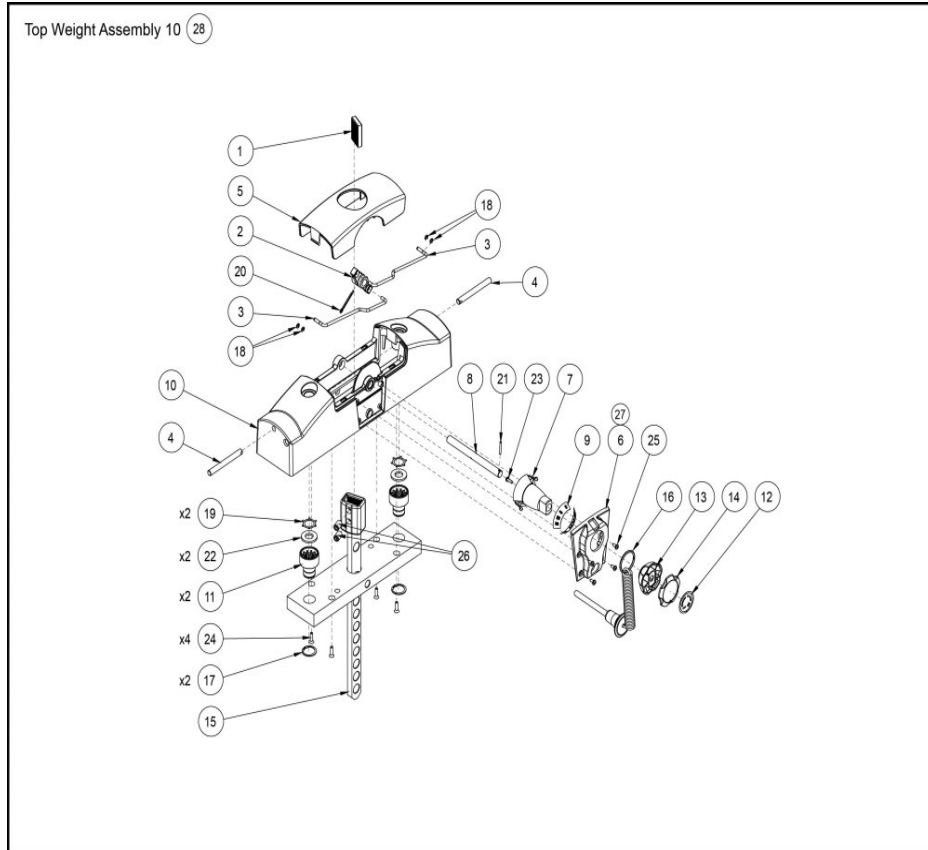
Parts Manual

1/5/2019 4:30:41 AM

Table of Contents

[Top Weight Assembly 10 21400-007.....](#)3
[21461 Back Mount Assembly.....](#)5
[21461 Belt Routing.....](#)7
[21461 Cam Follower Detail.....](#)8
[21461 Frame Assembly.....](#)9
[21461 Input Arm Assembly.....](#)11
[21461 Panel Assembly.....](#)13
[21461 RLD Assembly.....](#)15
[21461 Seat Assembly.....](#)17
[21461 Top Plastic Detail.....](#)18
[21461 Weight Stack Detail.....](#)19

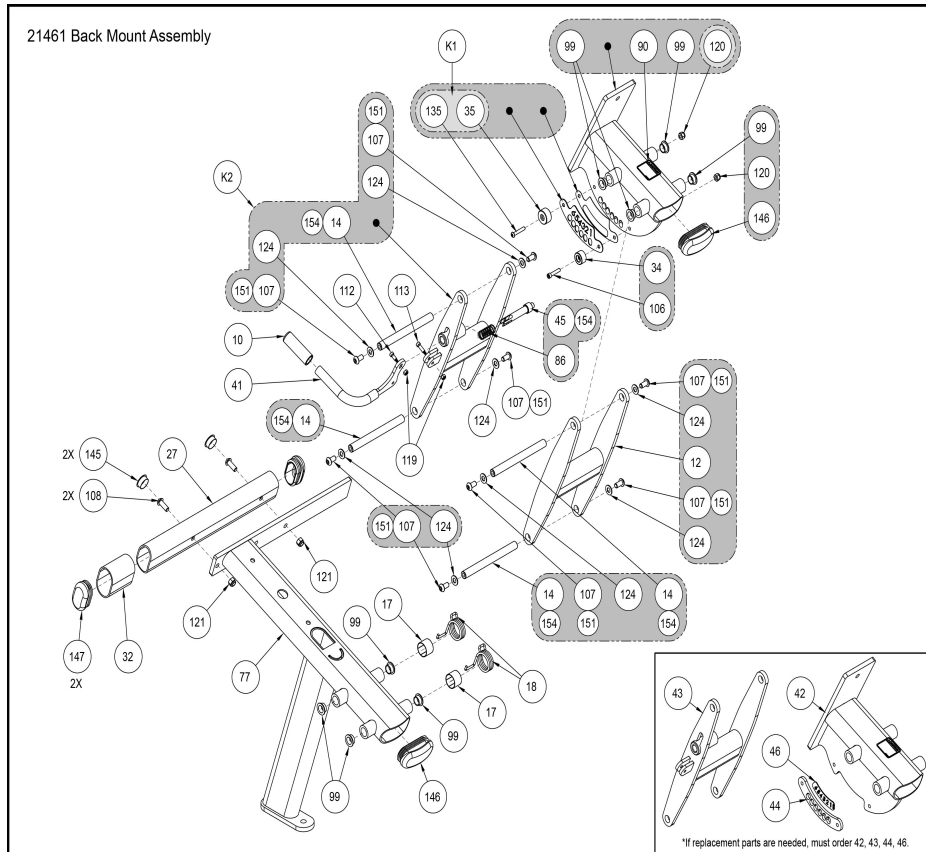
Top_Weight_Assembly_10_21400-007



Ref #	Part Number	Qty	Description
1	11040-301	1	INSERT CLAMP BLOCK
2	11040-367	1	HUB MOLDED
3	11040-369	2	ROD LINKAGE
4	11040-370	2	PIN
5	11040-416	1	COVER TOP WEIGHT
6	11040-424	1	COVER PLATE
7	11040-426	1	STEM
8	11040-427	1	ROD
9	11040-428	1	DECAL ADJUSTMENT
10	11050-366	1	TOP WT ASSY, MOLDED
11	13000-364	2	BEARING FLNG .62 ID X .92 OD X 1.75 LG
12	14051-308	1	Decal Rotation
13	20000-476	1	KNOB, BASE
14	20000-477	1	KNOB
15	21000-228	1	C LIFTING POST 10
16	BH030207	1	PIN WEIGHT SELECTOR
17	BR030206	2	RETAINING RING
18	BR030209	4	RETAINING RING .188
19	BR030220	2	RETAINING RING 1.250 INTERNAL
20	HP016820	1	COTTER PIN .125 X 1.25
21	HP266765	1	ROLL PIN .125 X .938
22	HS720004	2	WASHER FELT .641 ID X 1.250 OD X .125 T

Ref #	Part Number	Qty	Description
23	HT552512	1	TAP SC NO. 8-16 X .50 PLASTITE PAN HEAD PHILLIPS BLACK
24	HT562715	4	TAP SC NO 10 X .750 F PHIL
25	HT582510	4	TAP SC NO 10 X .375 PN HD PHIL
26	HY740000	2	SET SCREW
28	21400-007	1	TOP WEIGHT ASSY 10

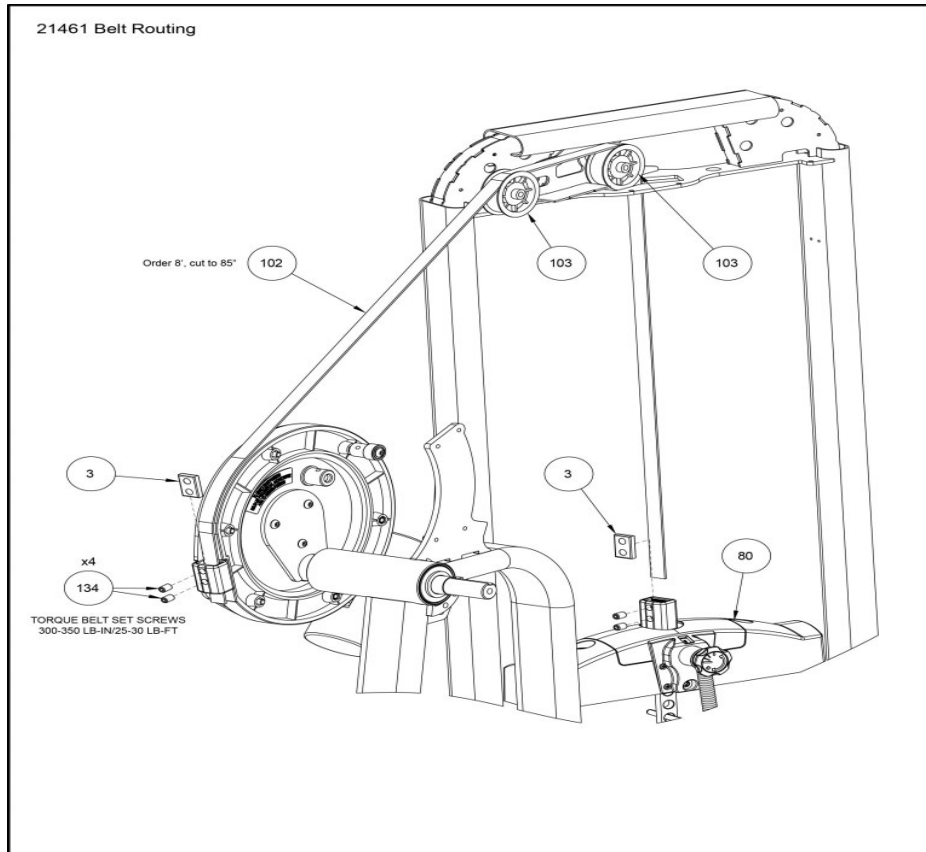
21461_Back_Mount_Assembly



Ref #	Part Number	Qty	Description
K1	14051K002	1	KIT, BUMPER REPLACEMENT
K2	14051K003	1	KIT, SEAT BAR LINKAGE, TA
10	11090-385	1	GRIP
12	12000-211	1	W DETENT LINK Custom
14	12000-480	4	PIN, PIVOT
17	12050-369	2	ENDCAP
18	12050-370	2	SPRING TORSION
27	12060-317	1	TUBE SUPPORT
32	12060-362	1	GRIP 2.94 LG X 2.00 OD X 11GA
34	12100-303	1	BUMPER
35	12100-312	1	BUMPER
41	14051-203	1	W Handle Pivot
42	12050-212	1	W SEAT BACK Custom
43	21451-206	1	W DETENT LINK
44	12050-380	1	P DETENT PLATE
45	14051-310	1	Pin Detent
46	21451-374	1	DECAL, SEAT ADJUST
77	21060-200	1	W MAIN FRAME Custom
86	4715-346	1	COM SPRING .72 X 1.50 LG
90	8500-025	1	DECAL CAUTION Custom
99	FB130205	8	BRG FLG .62 X .75 .38 LG
106	HC622820	1	SHCS .250-20 X 1.25

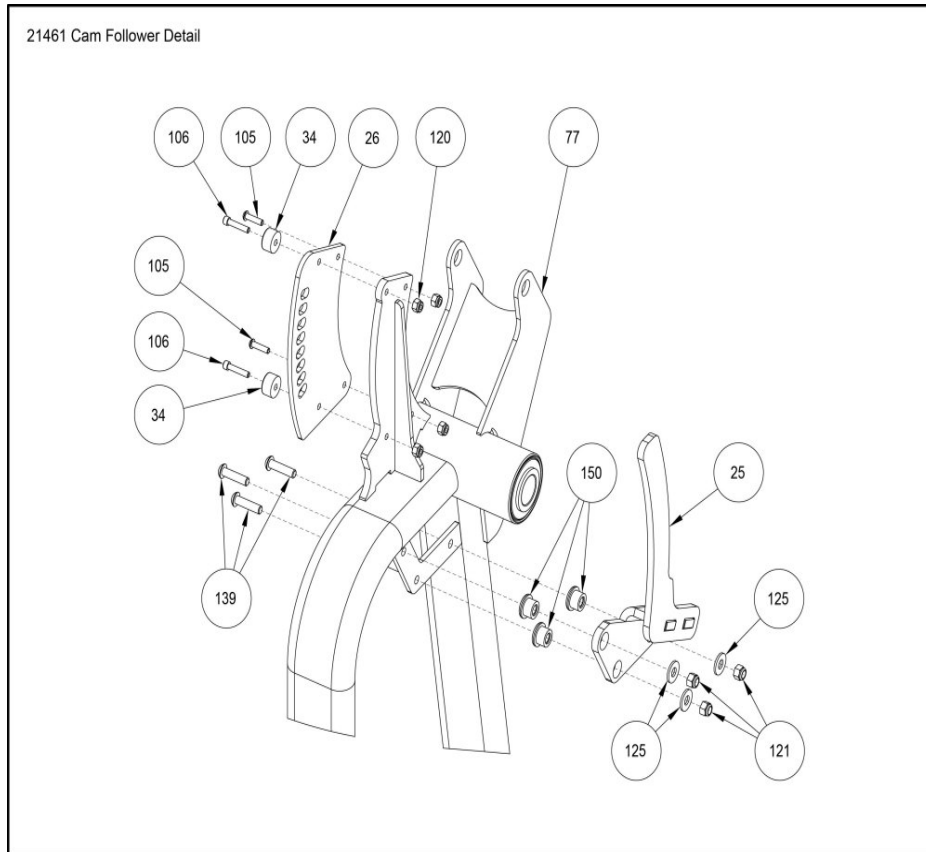
Ref #	Part Number	Qty	Description
107	HC700415	8	BHSCS .375-16 X .75
108	HC700417	2	BHSCS .375-16 X 1.00
112	HD303312	1	S BOLT .250 X .500 .190-10-24
113	HD303315	1	S Bolt .250 x .750 .190-10-24
119	HN575100	2	LOCKNUT .190-NO 10-24
120	HN625200	2	LOCKNUT .250-20 NYLON HVY
121	HN704901	2	LOCKNUT .375-16 NYLON
123	HS307601	4	WASH FLAT .281 .500 .062 T
124	HS347600	8	WASHER SAE .375
135	JC620422	1	BHSCS .250-20 X 1.50
145	PN660200	2	INSERT PLASTIC 1.00 DIA-11 GA
146	PP130002	2	INSERT DOMED PLASTIC
147	PP130003	2	INSERT PLASTIC
151	YA000201	1	ADH THRD LKR REM .02 OZ 242

21461_Belt_Routing



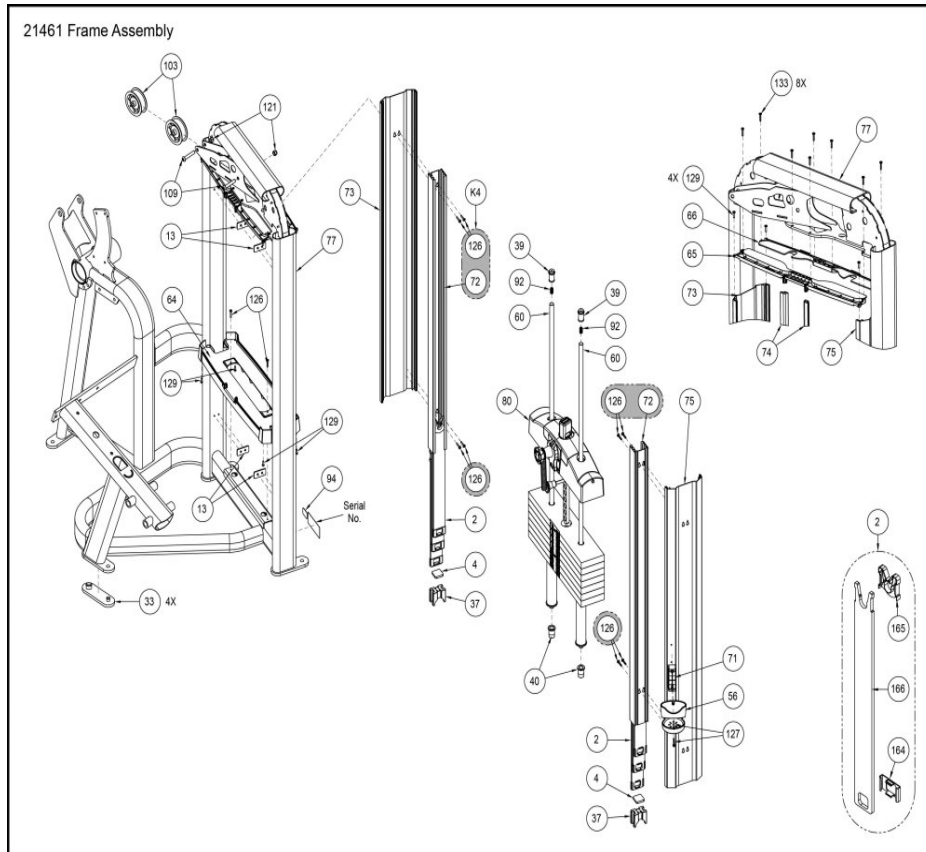
Ref #	Part Number	Qty	Description
3	11040-301	2	INSERT CLAMP BLOCK
80	21400-007	1	TOP WEIGHT ASSY 10
102	GB000202	1	BELT .95 WIDE
103	GP000209	2	PULLEY ASSEMBLY-3.50
134	HY740000	4	SET SCREW

21461_Cam_Follower_Detail



Ref #	Part Number	Qty	Description
25	12060-213	1	W CAM FOLLOWER Custom
26	12060-315	1	P DETENT PLATE
34	12100-303	2	BUMPER
77	21060-200	1	W MAIN FRAME Custom
105	HC620417	2	BHSCS .250-20 X 1.00
106	HC622820	2	SHCS .250-20 X 1.25
120	HN625200	4	LOCKNUT .250-20 NYLON HVY
121	HN704901	3	LOCKNUT .375-16 NYLON
125	HS347700	3	WASHER USS .375
139	JC700422	3	BHSCS .375-16 X 1.50
150	PR740300	3	MOUNT CENTER BONDED

21461_Frame_Assembly



Ref #	Part Number	Qty	Description
4	11040-409	2	BUMPER
			KIT, SHORT INC WT CHANNEL REPLACEMENT (PRESTIGE)
K4	21000K002	1	
13	12000-398	4	SPACER
33	12090-322	4	PAD FOOT
37	12102-330	2	INSERT INCREMENT WEIGHT
39	12210-347	2	CAP GUIDE ROD
40	12210-348	2	CAP GUIDE ROD
56	20000-650	1	HOLDER, WATER BOTTLE
60	21000-350	2	WT ROD .625 X 48.22
64	21000-450	1	BOTTOM TRAY
65	21000-451	1	MOUNT, FRONT
66	21000-452	1	MOUNT, BACK
71	21000-465	1	SPACER
72	21000-580	2	EXTRUSION, INC WT CHANNEL
73	21000-471	1	EXTRUSION, OUTER CHANNEL
74	21000-472	2	EXTRUDED GUARD
75	21000-473	1	EXTRUSION, OUTER CHANNEL (RH HOLES)
77	21060-200	1	W MAIN FRAME Custom
80	21400-007	1	TOP WEIGHT ASSY 10
92	BS070208	2	COMP SPRING .396 ID X .480 OD X 1.50 LG
94	CM000211	1	DECAL PATENT

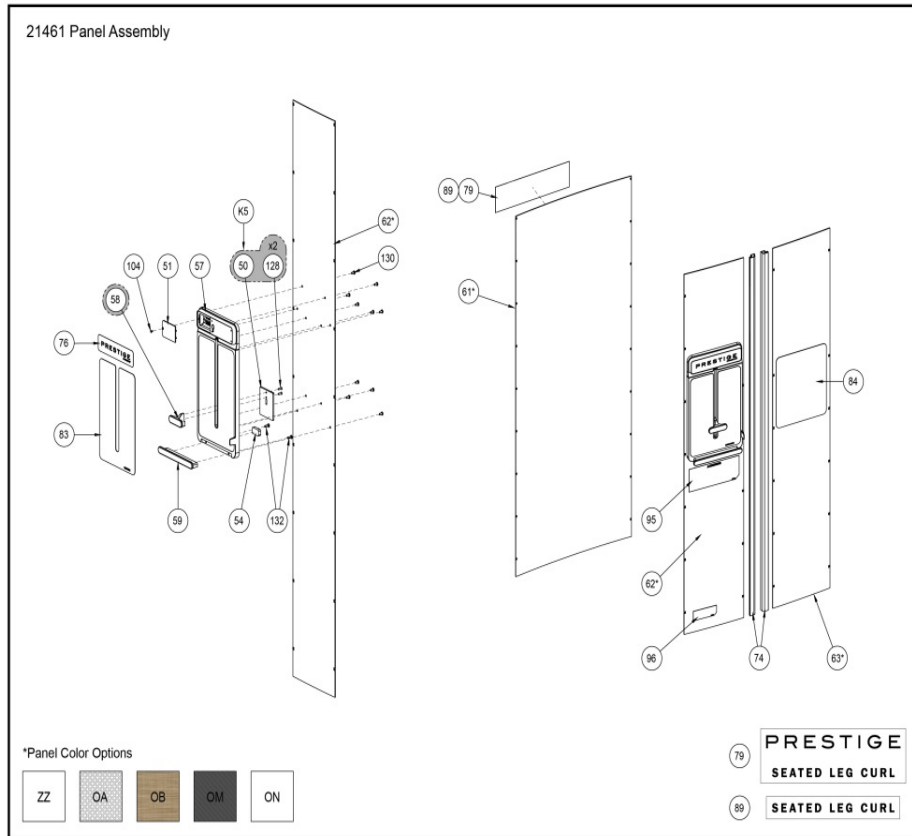
Ref #	Part Number	Qty	Description
103	GP000209	2	PULLEY ASSEMBLY-3.50
109	HC700428	2	BHSCS .375-16 X 2.25
121	HN704901	2	LOCKNUT .375-16 NYLON
126	HT512517	8	TAP SC 10-24 X 1.00 TYPE WB PN HD PHIL BLK
127	HT512522	2	TAP SC 10-24 X 1.50 TYPE WB PN
129	HT542514	8	TAP SC NO 8-32 X .625 A PHIL
133	HT552515	8	TAP SC NO. 8-16 X .75 PLASTITE PN HD PHIL BLK
164	11040-572	6	GUARD INCREMENT WEIGHT
165	11040-578	6	GUARD, INCREMENT WEIGHT
166,2	11040-030	12	INCREMENT WEIGHT S/A

21461_Input_Arm_Assembly

Ref #	Part Number	Qty	Description
1	08229	1	P PIN DETENT
5	11040-440	1	KNOB
15	12050-343	1	WASHER
16	12050-355	1	DECAL ROTATION
23	12060-211	1	W INPUT ARM Custom
24	12060-212	1	W CUSHION ARM Custom
29	12060-346	1	PIN PIVOT
34	12100-303	2	BUMPER
47	14061-301	1	P Detent Plate
49	14061-306	1	C Detent Plate
90	8500-025	1	DECAL CAUTION Custom
91	BS070201	1	COM SPRING .56 ID X .66 OD X 1.50 LG
100	FB130212	2	BUSHING FLANGE FOOTPLATE.75ID
106	HC622820	2	SHCS .250-20 X 1.25
107	HC700415	2	BHSCS .375-16 X .75
117	HH320030	1	KEY .313 SQ X 2.50
120	HN625200	2	LOCKNUT .250-20 NYLON HVY
123	HS307601	2	WASH FLAT .281 .500 .062 T
125	HS347700	1	WASHER USS .375
143	JC780417	1	BHSCS .500-13 X 1.00
146	PP130002	2	INSERT DOMED PLASTIC
147	PP130003	1	INSERT PLASTIC

Ref #	Part Number	Qty	Description
151	YA000201	1	ADH THRD LKR REM .02 OZ 242

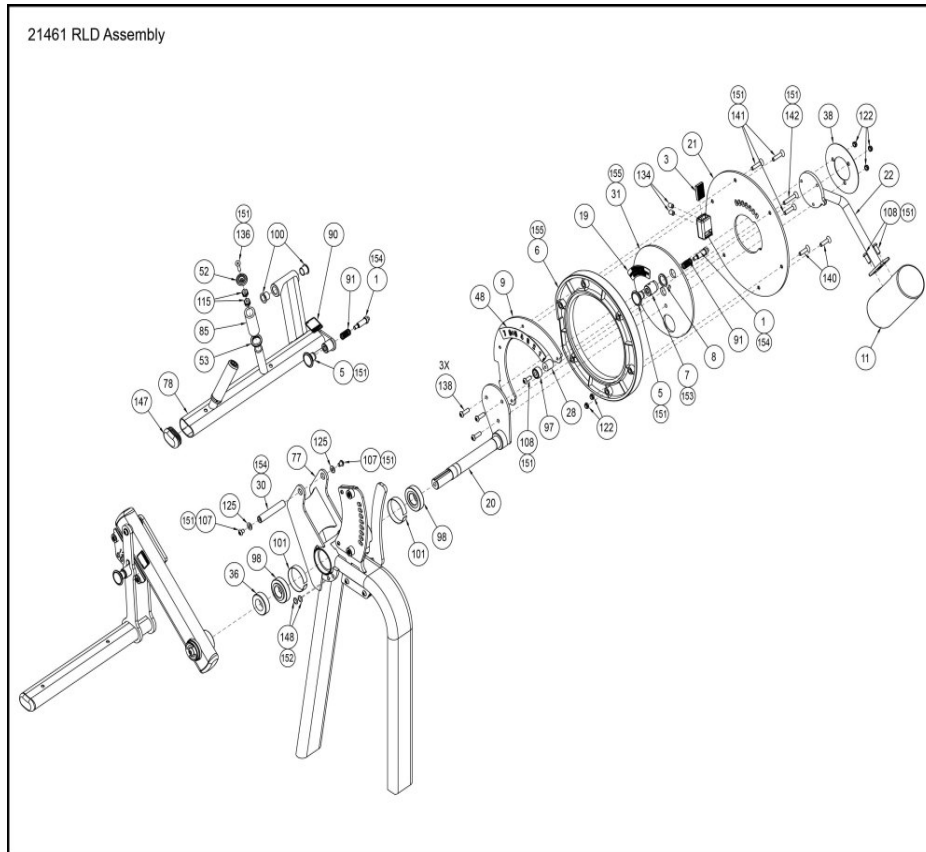
21461_Panel_Assembly



Ref #	Part Number	Qty	Description
K5	20000K007	1	KIT, CLAMP BAR REPLACEMENT
50	20000-483	1	WEIGHT PLATE
51	20000-524	1	COVER PLATE
54	20000-560	1	BUMPER
57	20000-652	1	PANEL, PLACARD
58	20000-662	1	CLAMP BAR
59	20000-655	1	BOTTOM TAB
61	21000-440OM	1	BACK PANEL MORACO
61	21000-440OA	1	BACK PANEL ASPEN
61	21000-440OB	1	BACK PANEL BALI
61	21000-440ZZ	1	BACK PANEL
61	21000-440ON	1	BACK PANEL
62	21000-441OA	1	FRONT PANEL (MEDIA CENTER) ASPEN
62	21000-441ZZ	1	FRONT PANEL (MEDIA CENTER)
62	21000-441OM	1	FRONT PANEL (MEDIA CENTER) MORACO
62	21000-441OB	1	FRONT PANEL (MEDIA CENTER) BALI
62	21000-441ON	1	FRONT PANEL (MEDIA CENTER)
63	21000-442ZZ	1	FRONT PANEL
63	21000-442ON	1	FRONT PANEL
63	21000-442OM	1	FRONT PANEL MORACO
63	21000-442OA	1	FRONT PANEL ASPEN
63	21000-442OB	1	FRONT PANEL BALI

Ref #	Part Number	Qty	Description
74	21000-472	2	EXTRUDED GUARD
76	21000-556	1	MEDIA CENTER DECAL
79	21060-701	1	DECAL, SEATED LEG CURL
79	21060-700	1	DECAL, SEATED LEG CURL
83	21461-598	1	Placard Prestige SeatL TA Custom
84	21461-599	1	Placard Prestige SeatL TA Custom
89	20060-703	1	DECAL, SEATED LEG CURL, BLACK
89	20060-704	1	DECAL, SEATED LEG CURL, SILVER
95	DE000023	1	Decal Warning Custom
96	DE000025	1	NLA: DECAL, MADE IN U.S.A.
104	HC041008	1	SCREW, FH PHILL. #4 X .250 TYPE AB
128	HT532712	2	FLAT HEAD PHILLIPS #6 X .500 LG TYPE AB
130	HT552509	10	TAP SC NO 8-16 X .31 PLASTITE PN HD PHIL
132	HT552512	2	TAP SC NO. 8-16 X .50 PLASTITE PAN HEAD PHILLIPS BLACK

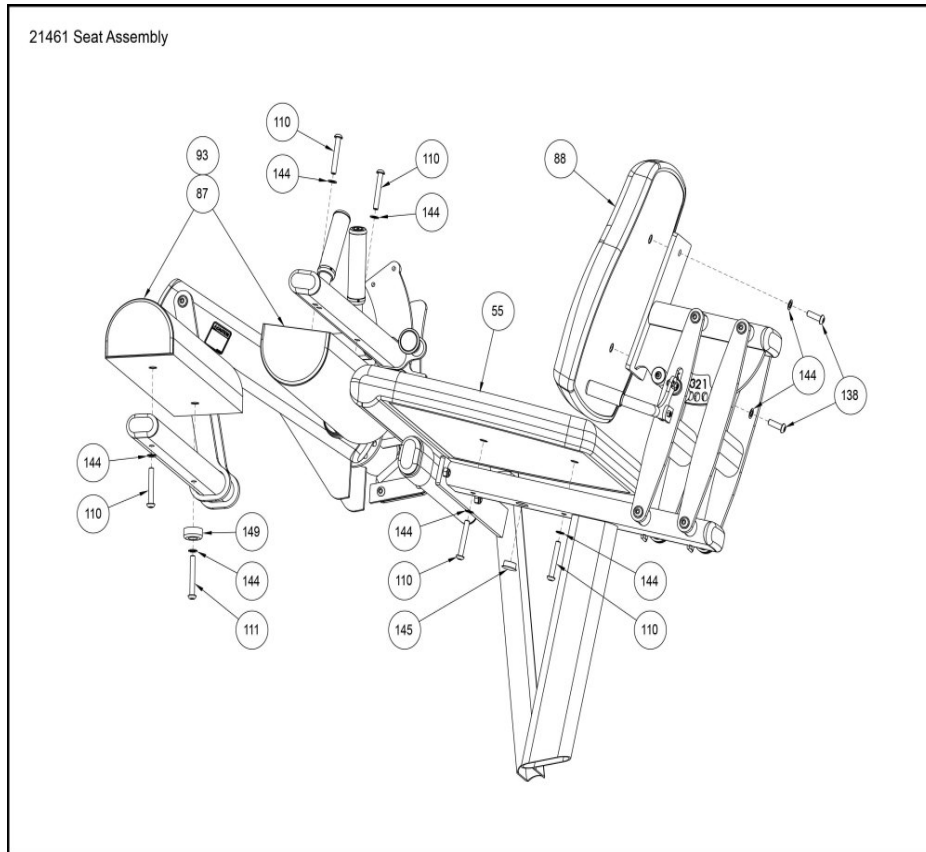
21461_RLD_Assembly



Ref #	Part Number	Qty	Description
1	08229	2	P PIN DETENT
3	11040-301	1	INSERT CLAMP BLOCK
5	11040-440	2	KNOB
6	11050-333	1	CAM
7	11050-407	1	RETAINER
8	11050-408	1	SPACER
9	11060-339	1	PLATE DECAL CAM
11	11100-363	1	C/COUNTERWEIGHT
19	12050-377	1	DECAL START RLD Custom
20	12060-201	1	W PIVOT SHAFT
21	12060-204	1	W CAM PLATE
22	12060-207	1	W COUNTERWEIGHT MOUNT Custom
28	12060-345	1	STOP CAM FOLLOWER
30	12060-347	1	PIN PIVOT
31	12060-360	1	PLATE ECCENTRIC
36	12101-300	1	SPACER
38	12102-339	1	STOP GUARD
48	14061-304	1	Decal Adjustment
52	20000-525	2	TRIM RING
53	20000-526	2	TRIM RING
77	21060-200	1	W MAIN FRAME Custom
78	21060-206	1	W CUSHION PIVOT Custom

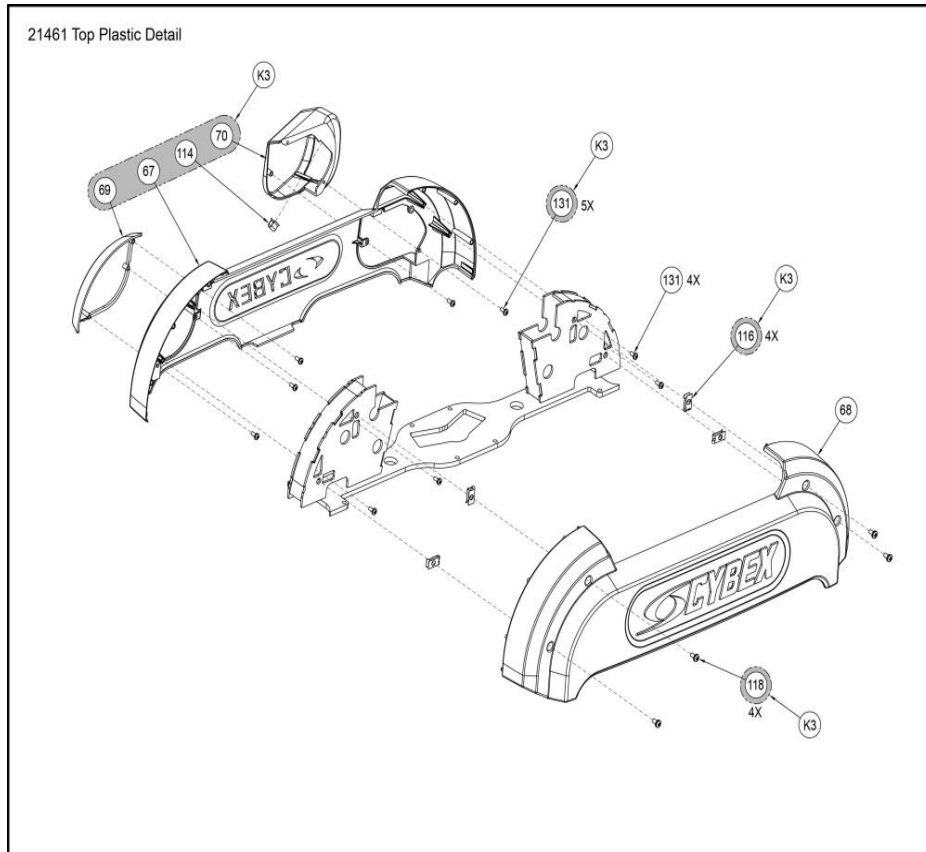
Ref #	Part Number	Qty	Description
85	4605-514	2	GRAB GRIP 4.50
90	8500-025	1	DECAL CAUTION Custom
91	BS070201	1	COM SPRING .56 ID X .66 OD X 1.50 LG
97	FB030239	1	CAM FOLLOWER 10 MM
98	FB030249	2	BEARING RADIAL 35MM EXT RACE
100	FB130212	2	BUSHING FLANGE FOOTPLATE.75ID
101	FC030009	2	TOLERANCE RING 72MM
107	HC700415	2	BHSCS .375-16 X .75
108	HC700417	1	BHSCS .375-16 X 1.00
115	HF449066	4	INSERT 3/4 X 5/16-18 UNC
122	HN704902	2	LOCKNUT NYLON .375-16
125	HS347700	2	WASHER USS .375
134	HY740000	2	SET SCREW
136	JC661000	2	FHSCS .312-18 X 1.75 LONG
138	JC700420	3	BHSCS .375-16 X 1.25
140	JC700922	2	FHSCS .375-16 X 1.50
141	JC700924	3	FHSCS .375-16 X 1.75
142	JC700928	1	FHSCS .375-16 X 2.25
147	PP130003	1	INSERT PLASTIC
148	PP660006	2	PLUG SNAP IN
151	YA000201	1	ADH THRD LKR REM .02 OZ 242
152	YA000222	1	ADH BNDG CYANOACRYLATE
153	YA000226	1	LOCTITE 680 .5 ML
155	YL000200	1	LUBRICANT TEFLON 3 OZ TUBE

21461_Seat_Assembly



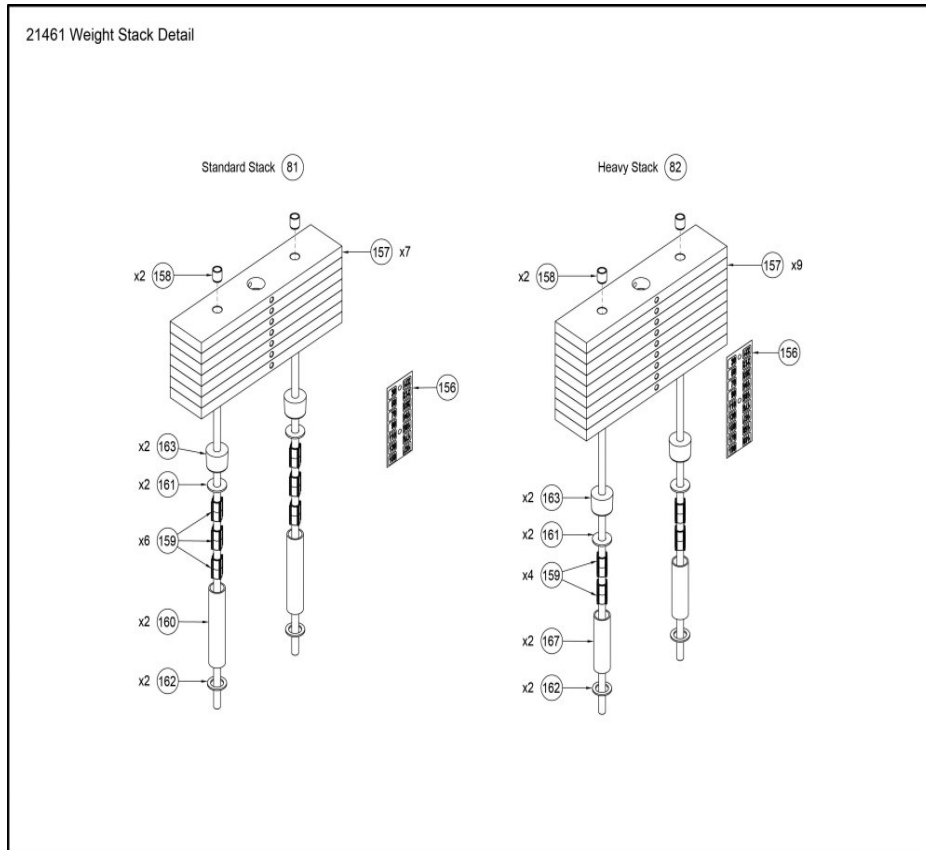
Ref #	Part Number	Qty	Description
55	20000-625	1	CUSHION ASSEMBLY SEAT 20.12 X Custom
87	4800-196	2	COVERED CUSHION AS CONTOUR 20 Custom
88	4800-464	1	CUSHION SA BACK 18" MOLDED Custom
93	4800-199	2	WEAR COVER CS Custom
110	HC700430	6	BHSCS .375-16 X 2.50
111	HC700432	1	BHSCS .375-16 X 2.75
138	JC700420	2	BHSCS .375-16 X 1.25
144	JS347400	8	LOCKWASHER INT TOOTH .375
145	PN660200	1	INSERT PLASTIC 1.00 DIA-11 GA
149	PR060003	1	BUMPER RECESS

21461_Top_Plastic_Detail



Ref #	Part Number	Qty	Description
K3	21000K041	1	KIT, PRESTIGE TOP CAP (LH EXIT)
67	21000-454	1	TOP CAP, FRONT
68	21000-455	1	TOP CAP, REAR
69	21000-460	1	TOP CAP INSERT RH
70	21000-462	1	PULLEY COVER ASSEMBLY LH
114	HF009000	1	SPEED CLIP U-TYPE
116	HF579000	4	PANEL FASTENER 10-24 U TYPE
118	HJ582510	4	SEMS 10-32 X .38
131	HT552511	9	TAP SC #8-16 X .38 TAP BLACK PLASTITE

21461_Weight_Stack_Detail



Ref #	Part Number	Qty	Description
81	21410-020	1	
82	21410-021	1	
156	14000-401	1	DECAL, WT PLATE TA
157	4000C101	1	C STACK WT 4X18
158	FB130216	2	Bushing Weight Stack
159	12210-352	6	INSERT PLASTIC
160	21010-343	2	SPACER TUBE
161	HS760106	2	WASH FLAT 1.750 .688 .140 T
162	JS497600	2	WASHER 1.19 ID X 1.75 OD X .12 THK
163	PR060005	2	BUMPER WEIGHT
167	12210-359	2	TUBE SPACER

