

425A TOTAL BODY ARC TRAINER

425A-01

Parts Manual

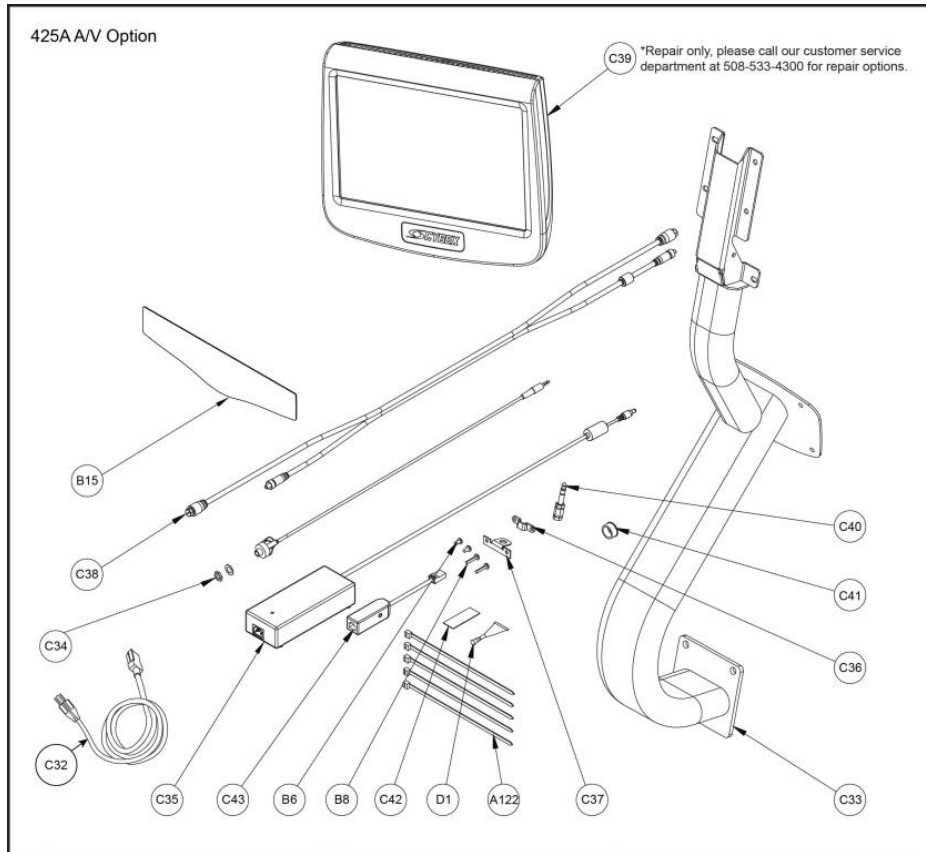
1/5/2019 4:32:05 AM



Table of Contents

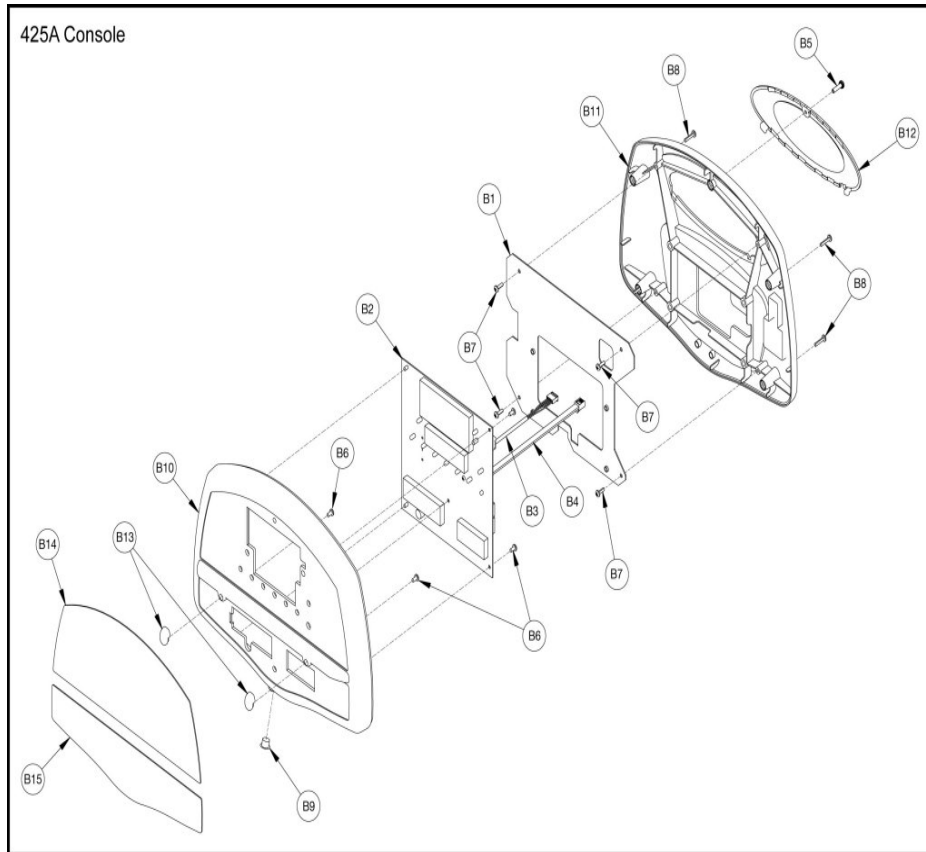
[AV Option](#).....3
[Console](#).....4
[Covers and Pedals](#).....5
[Drive Frame](#).....7
[Drive Link](#).....9
[Elevation LCB](#).....11
[Handles and S Link](#).....13
[Left Leg](#).....14
[Right Leg](#).....16

AV Option



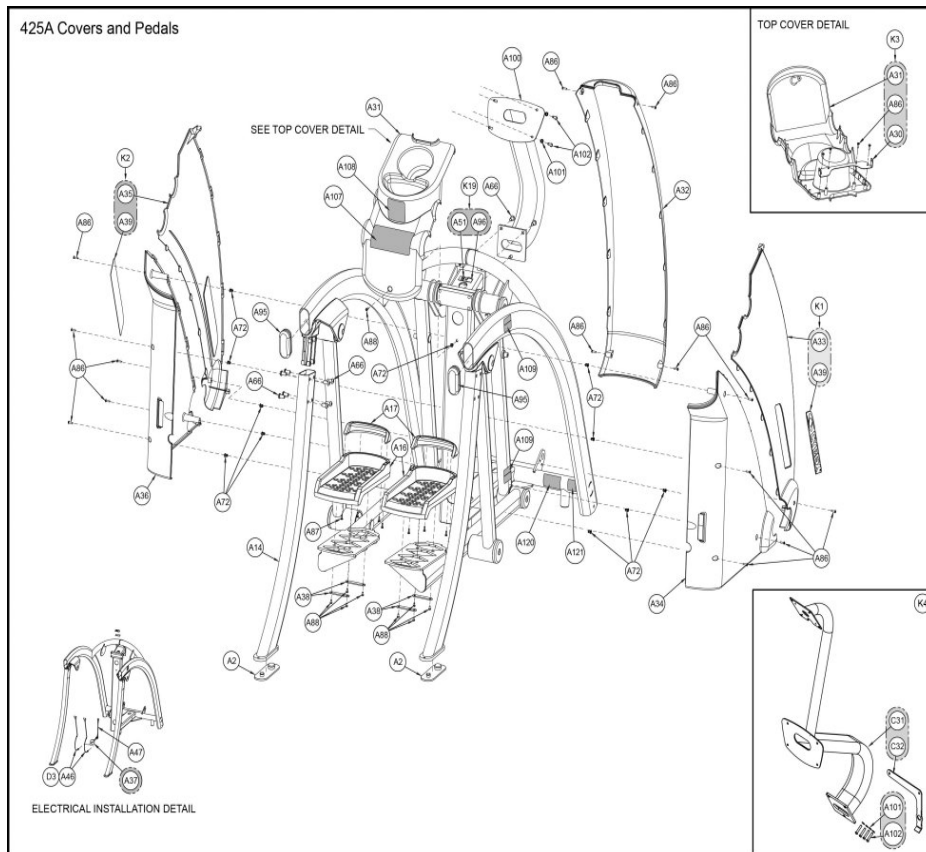
Ref #	Part Number	Qty	Description
D1	YA000201	1	ADH THRDLKR REM .02 OZ 242
B6	HT552509	2	TAP SC NO 8-16 X .31 PLASTITE PN HD PHIL
B8	HT552515	2	TAP SC NO. 8-16 X .75 PLASTITE PN HD PHIL BLK
B15	SW-21558	1	Membrane 425 Arc AV Bot
C32	EW600005	1	REPLACE WITH EW600008
C33	425A-221	1	W Console Monitor Mount
C34	630A-102	1	Cable Audio .25 to 3.5mm 18.00 - same as AW-17694 NLA: POWER SUPPLY,12VDC,120-240VAC,6.0A
C35	TR-21265	1	W-LOCKING PLUG
C36	630A-330	1	Clamp Headphone Adapter
C37	630A-331	1	Bracket Headphone Jack Mount
C38	AW-21680	1	CABLE,750A 4XXT,LOCKING RF&DC POWER CABLE,2795MM
C39	CP-21072	1	MONITOR,13.3 ATSC NTSC PEM
C40	ES000001	1	ADAPTER .25 PLUG TO .12 JACK STEREO
C41	PP740000	1	BUSHING STRAIN RELIEF .750
C42	1250	1	DOUBLE COATED FOAM TAPE
C43	425A-490	1	Isolator C-Safe Signal
A122	EW000028	1	CABLE TIE 8.00

Console



Ref #	Part Number	Qty	Description
B1	610A-396	1	PLATE CONSOLE MOUNTING
B2	AD-21513-Q	1	PCA 425A ARC AMBER DISPLAY
B3	AW-19617	1	HARNESS 425A HR CONSOLE
B4	AW-19619	1	CABLE 425A CONSOLE RJ45
B5	HJ582515	1	SCREW SEMS 10-32 X .75 PHIL PAN BLK ZINC
B6	HT552509	4	TAP SC NO 8-16 X .31 PLASTITE PN HD PHIL
B7	HT552512	4	TAP SC NO. 8-16 X .50 PLASTITE PAN HEAD PHILLIPS BLACK
B8	HT552515	4	TAP SC NO. 8-16 X .75 PLASTITE PN HD PHIL BLK
B9	PP080207	1	INSERT PLASTIC .437 DIA 11 GA
B10	PP620003	1	NLA: CONSOLE PLASTIC FRONT
B11	PP620004	1	NLA: CONSOLE PLASTIC REAR
B12	PP620005	1	COVER CONSOLE BATTERY DOOR
B13	PP620006	2	TAB BOOK HOLDER
B14	SW-21556	1	Membrane 425 Arc Top
B15	SW-21558	1	Membrane 425 Arc AV Bot
B15	SW-21557-4	1	MEMBRANE 425A ARC BOTTOM WO AV ENGLISH

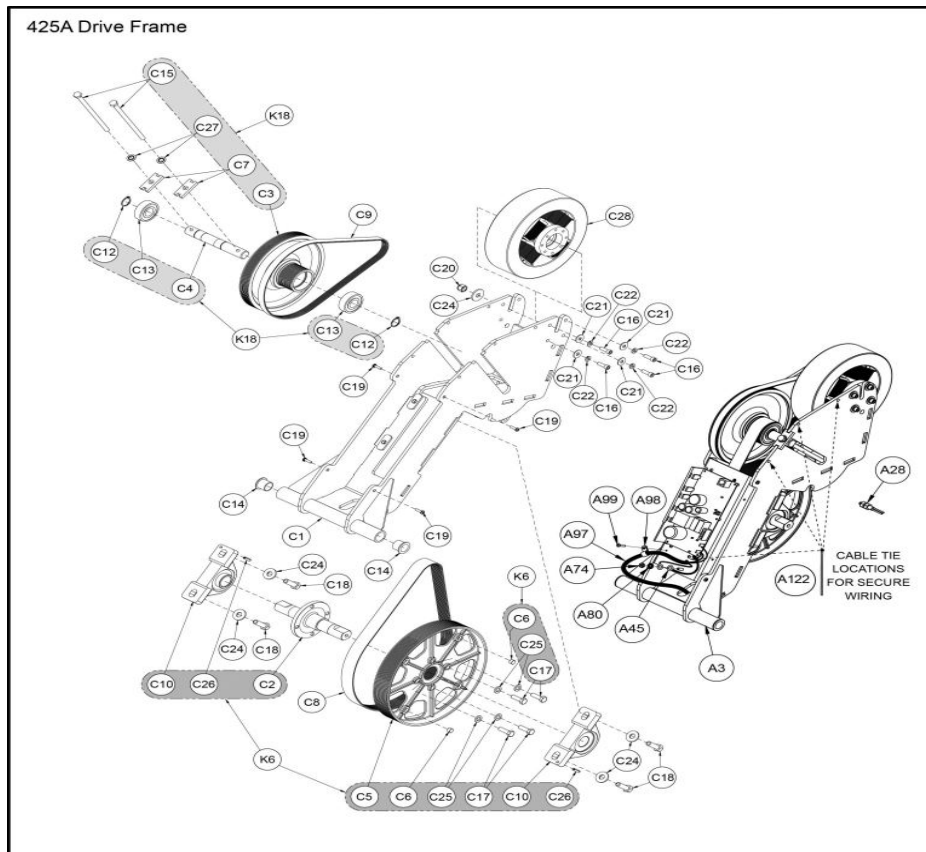
Covers and Pedals



Ref #	Part Number	Qty	Description
K1	425AK010	1	Kit Side Cover Upper Right
K2	425AK011	1	Kit Side Cover Upper Left
A2	12090-322	2	PAD FOOT
D3	YG000006	1	GEASE MINERAL BASE
K3	425AK012	1	Kit Top Cover
K4	425AK016	1	Kit Monitor/Remote Bracket
A14	425A-212	2	W REAR SUPPORT LEG Custom
A16	425A-359	2	Foot Plate
A17	425A-360	2	Toe Cap
K19	425AK050	1	KIT, WHR AND CHR COMBO SENSOR
A30	425A-457	1	Bracket
A31	425A-458	1	Cover Top
C31	425A-219	1	W Console Monitor Mount Custom
A32	425A-459	1	Cover Front
C32	425A-516	1	Bracket Remote Mount
A33	425A-460	1	Cover Side Upper Right
A34	425A-461	1	Cover Side Lower Right
A35	425A-462	1	Cover Side Upper Left
A36	425A-463	1	Cover Side Lower Left
A37	425AK017	1	Kit Plastic Insert
A38	425A-468	4	Retainer
A39	425A-469	2	Decal Cybex

Ref #	Part Number	Qty	Description
A46	AW-19615	1	CABLE 425A CHR GRIP
A47	AW-19616	1	HARNESS 425A CHR FRAME
A51	EC-19978	1	Sensor WHR and CHR Combo
A66	HC700415	24	BHSCS .375-16 X .75
A72	HF540200	20	GROMMET NYLON
A86	HT542514	20	TAP SC NO 8-32 X .625 A PHIL
A87	HT552512	10	TAP SC NO. 8-16 X .50 PLASTITE PAN HEAD PHILLIPS BLACK
A88	HT582510	8	TAP SC NO 10 X .375 PN HD PHIL
A95	PP130004	2	Insert Domed Plastic
A100	425A-206	1	W Console Support Custom
A101	HS307400	2	LOCKWASHER INT TOOTH .250 SS
A102	HX620420	2	BHSCS .250-20 X 1.250
A107	425A-495	1	Decal Warning
A108	DE-17218	1	NLA: LABEL,HR ZONE,ENG
A109	DE-17219	4	DECAL CAUTION MOVING PARTS
A120	600A-362	1	LABEL PATENT BIOSIG
A121	630A-351	1	Decal WEEE Symbol

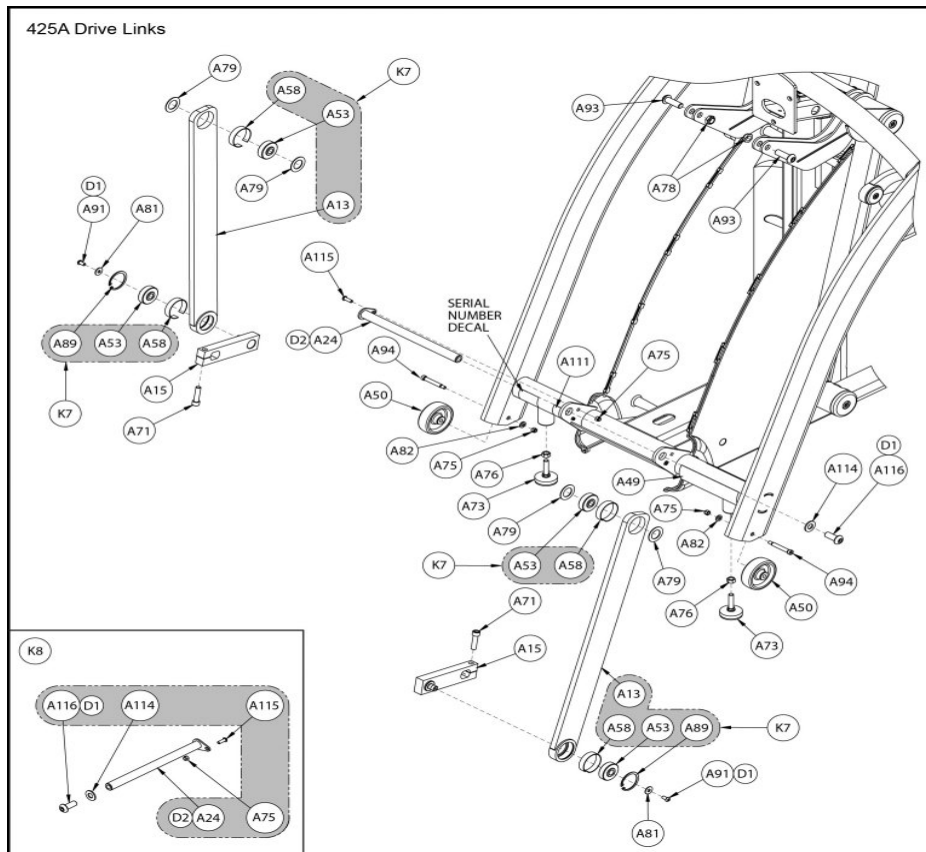
Drive Frame



Ref #	Part Number	Qty	Description
C1	425A-211	1	W Box
C2	425A-313	1	SHAFT
A3	425A-101	1	Drive Frame Assembly
C3	425A-320	1	PULLEY SECONDARY DRIVE
C4	425A-322	1	SHAFT SECONDARY DRIVE
C5	425A-337	1	PULLEY PRIMARY DRIVE
C6	425A-364	1	MAGNET
K6	425AK018	1	Kit Pulley Crank Shaft
C7	425A-373	2	Adjuster Belt Tension
C8	425A-455	1	Belt Primary Drive
C9	425A-456	1	Belt Secondary Drive
C10	600A-340	1	BEARING PILLOW BLOCK 1.00
C12	BR030227	2	RETAINING RING 20MM EXTERNAL
C13	FB030254	2	BEARING RADIAL 20MM
C14	FB130212	4	BUSHING FLANGE FOOTPLATE.75ID
C15	HC321258	2	HX HD CAP SC .312-18 X 6.000
C16	HC622815	4	SHCS .250-20 X .750
C17	HC661217	4	HX HD CAP SC .312-18 X 1.000
K18	425AK049	1	KIT, SECONDARY DRIVE PULLEY
C18	HC701220	4	BOLT,3-8-16X1.25.HXHD
C19	HJ582515	4	SCREW SEMS 10-32 X .75 PHIL PAN BLK ZINC
C20	HN704901	1	LOCKNUT .375-16 NYLON

Ref #	Part Number	Qty	Description
C21	HS307600	4	WASHER SAE .250
C22	HS308300	4	LOCKWASHER SPLIT .250
C24	HS347700	4	WASHER USS .375
C25	HS760100	1	WASH FLAT .380 .625 .090 T
C26	HX-17023	1	PIN,SPRING .187X.813 LG,TYPE 420,ST STL
C27	HS328300	2	LOCKWASHER SPLIT .312
A28	425A-451	1	MAGNETIC SENSOR
C28	MR-19541	1	ASSEMBLY ECB SINGLE ROW BEARING
A45	610A-104	1	CABLE CHR CHASSIS GND
A74	HN586300	1	NUT K LOCK 10-32 ZINC
A80	HS047300	1	LOCKWASHER EXT TOOTH NO 10 ZINC
A97	AW-19624	1	POWER CORD,115V,2.5A,60HZ
A97	AW-19625	1	POWER CORD,230V,2.5A,50HZ
A97	AW-19626	1	POWER CORD,230V,3.0A,50HZ,UK
A97	AW-19627	1	POWER CORD 100V/3A 50/60HZ
A98	HX-19841	1	CLAMP STRAIN RELIEF .250 ID
A98	HX-19842	1	CLAMP STRAIN RELIEF .313 ID
A99	HT552510	1	TAP SC NO 6-20 X .375 AB PHIL
A122	EW000028	1	CABLE TIE 8.00

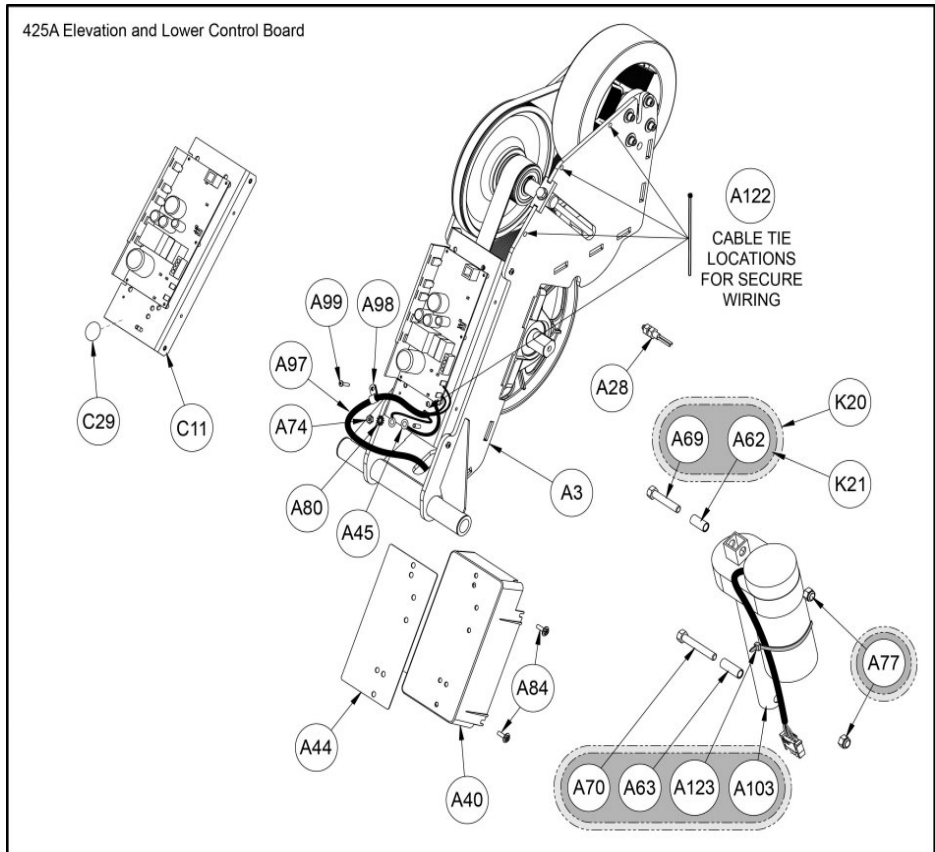
Drive Link



Ref #	Part Number	Qty	Description
D1	YA000201	1	ADH THRD LKR REM .02 OZ 242
D2	YG000002	1	NLA: Please use Lithium Grease
K7	425AK002	1	Kit Drive Link
K8	425AK045	1	Kit Shaft Replacement
A13	425A-210	2	W Drive Link Custom
A15	425A-319	2	CRANK ARM ASSY
A24	425A-216	2	W Shaft
A49	CM000240	1	DECAL DISCONNECT POWER 7 LANGUAGES
A50	CW-17231	2	WHEEL, TENSIONER
A53	FB030244	2	BEARING, .50IDX1.688OD,RADIAL BALL,SELF ALIGN
A58	FC030004	4	TOLERANCE RING 42MM ID
A71	HC702822	2	SHCS .375-16 X 1.50
A73	HG700022	2	LEVELING GLIDE 3-8-16
A75	HN624901	2	LOCKNUT .250-20 NYLON BLACK ZINC
A76	HN704000	2	HEX NUT .375-16
A78	HN784901	2	Locknut .500-13 Nylon Thin
A79	HS008006	4	WASH NYL .908 1.500 .050 T
A81	HS307600	1	WASHER SAE .250
A82	HS328300	2	LOCKWASHER SPLIT .312
A89	HX-17143	2	RING RETAINING,INT,5000-168
A91	JC620412	2	BHSCS .250-20 X .50
A93	JC780422	2	BHSCS .500-13 X 1.50

Ref #	Part Number	Qty	Description
A94	JD623324	2	S BOLT .312 X 1.75 .250-20
A111	CM000242	1	DECAL CE
A111	425A-494	1	Label ETL 425 ARC
A114	HS387700	2	WASHER SAE .500
A115	JC780420	2	BHSCS .500-13 X 1.25
A116	HC622815	2	SHCS .250-20 X .750

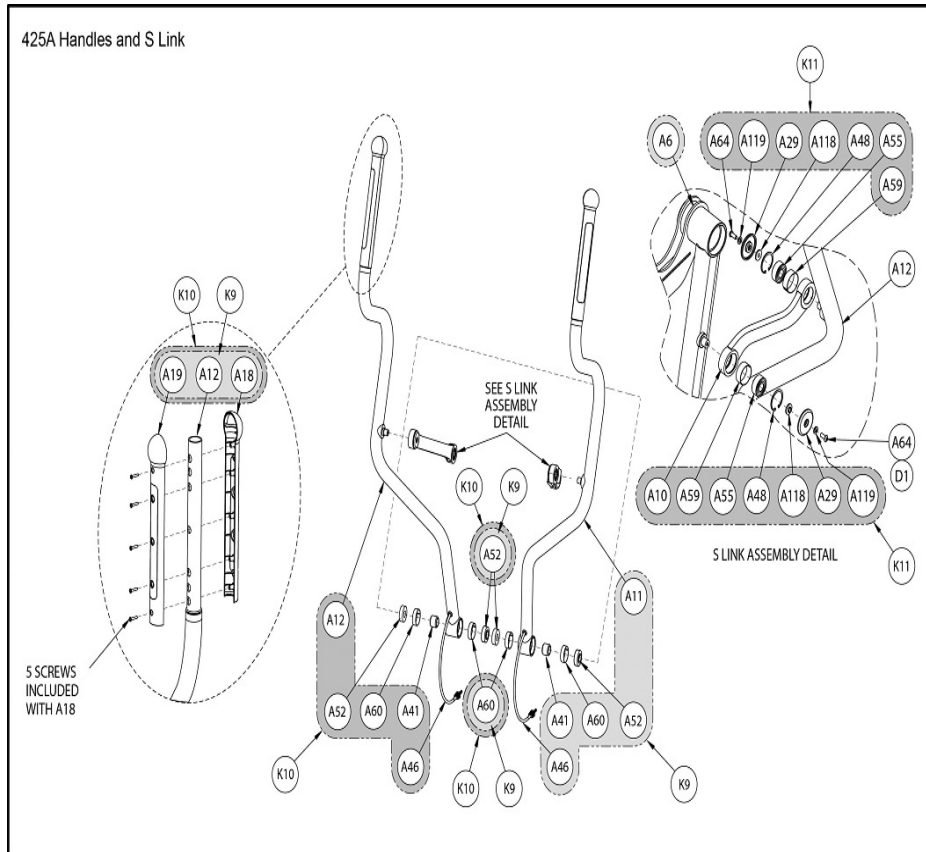
Elevation LCB



Ref #	Part Number	Qty	Description
A3	425A-101	1	Drive Frame Assembly
C11	AD-19612	1	PCA 425A CONTROLLER
K20	425AK047	1	KIT, ELEVATION MOTOR, 115V
K21	425AK048	1	KIT, ELEVATION MOTOR, 230V
A28	425A-451	1	MAGNETIC SENSOR
C29	CM000237	1	DECAL SAFETY GROUND
A40	425A-470	1	Cover LCB
A44	425A-479	1	Decal LCB Cover
A45	610A-104	1	CABLE CHR CHASSIS GND
A62	FT-17242	1	SLEEVE,ELEVATION MOUNTING,TOP
A63	FT-17243	1	SLEEVE,ELEVATION MOUNTING,BOTTOM
A69	HC701226	1	BOLT,3-8-16X2.00,HXHD CAP
A70	HC701230	1	HX HD CAP SC .375-16 X 2.500
A74	HN586300	1	NUT K LOCK 10-32 ZINC
A77	HN704902	2	LOCKNUT NYLON .375-16
A80	HS047300	1	LOCKWASHER EXT TOOTH NO 10 ZINC
A84	HT102214	1	SCREW,10-24,HXHD WSHR PHIL,TYP 23
A97	AW-19627	1	POWER CORD 100V/3A 50/60HZ
A97	AW-19626	1	POWER CORD,230V,3.0A,50HZ,UK
A97	AW-19625	1	POWER CORD,230V,2.5A,50HZ
A97	AW-19624	1	POWER CORD,115V,2.5A,60HZ
A98	HX-19842	1	CLAMP STRAIN RELIEF .313 ID

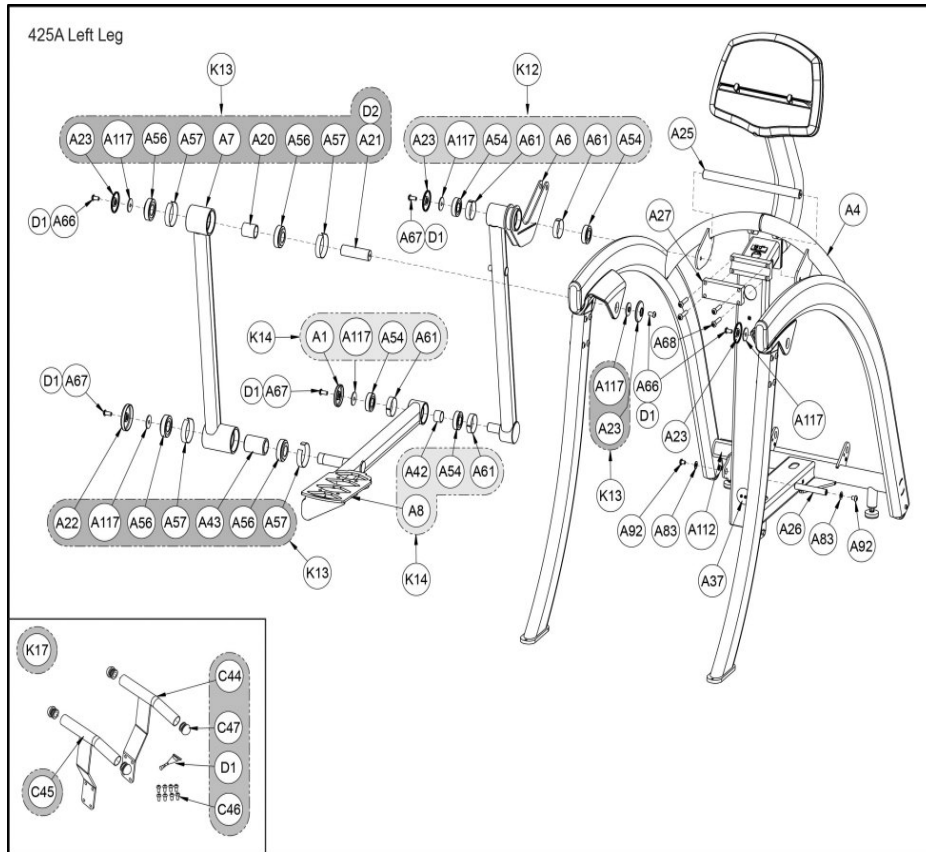
Ref #	Part Number	Qty	Description
A98	HX-19841	1	CLAMP STRAIN RELIEF .250 ID
A99	HT552510	1	TAP SC NO 6-20 X .375 AB PHIL
A103B	MR-19610	1	MOTOR, ELEV, 230 VAC 60HZ/50HZ, 425A
A103A	MR-19609	1	NLA: MOTOR ELEV 115VAC 60HZ 425A
A122	EW000028	1	CABLE TIE 8.00
A123	EW000029	1	CABLE TIE 15.00

Handles and S Link



Ref #	Part Number	Qty	Description
D1	YA000201	2	ADH THRDLKR REM .02 OZ 242
A6	425AK005	2	Kit Front Leg LH
K9	425AK006	1	Kit Input Handle RH
A10	425A-207	2	W Link
K10	425AK007	1	Kit Input Handle LH
K11	425AK013	1	Kit S Link
A11	425A-208	2	W Input Handle RH
A12	425A-209	2	W Input Handle LH
A18	425A-378	2	GRIP HOUSING WITH METAL PLATEFRONT
A19	425A-379	2	GRIP: CHR BACK, W/SCREWS
A29	425A-482	2	End Cap
A41	425A-489	2	Spacer
A46	AW-19615	2	CABLE 425A CHR GRIP
A48	BR030225	2	RETAINING RING 1.438 INTERNAL
A52	FB030232	2	BRG RADIAL 17MM ID EXT RACE
A55	FB030248	2	BEARING SPHERICAL 15MM
A59	FC030005	2	TOLERANCE RING 1.375 ID
A60	FC030006	2	TOLERANCE RING 1.575 ID
A64	HC620414	2	BHSCS .250-20 X .625
A118	600A-311	2	SPACER FLANGE
A119	HS307601	2	WASH FLAT .281 .500 .062 T

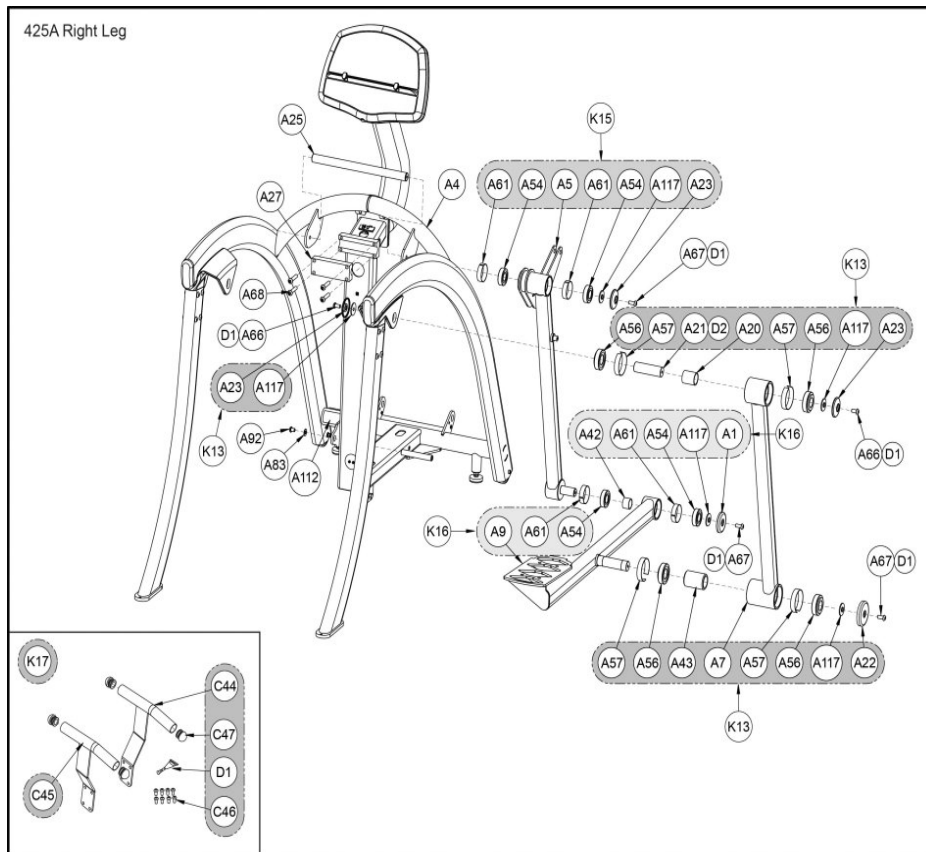
Left Leg



Ref #	Part Number	Qty	Description
D1	YA000201	1	ADH THRDLKR REM .02 OZ 242
A1	425A-483	1	End Cap
D2	YG000002	1	NLA: Please use Lithium Grease
A4	425A-200	1	W Main Frame Custom
A6	425A-202	1	NLA: W Front Leg LH
A7	425A-203	1	NLA: W Rear Leg
A8	425A-204	1	W Foot Bar LH
K12	425AK005	1	Kit Front Leg LH
K13	425AK003	1	W REAR LEG KIT
K14	425AK009	1	Kit Foot Bar LH
K17	425AK015	1	Kit Side Handles 425A
A20	425A-487	1	Tube Spacer
A21	425A-444	1	PIN PIVOT
A22	425A-484	2	End Cap
A23	425A-485	2	End Cap
A25	425A-448	1	PIN PIVOT
A26	425A-449	1	Shaft Pivot
A27	425A-450	1	BLOCK CLAMP
A37	425A-465	1	Insert 1.75
A42	425A-488	1	Spacer
A43	425A-486	1	Spacer
C44	425A-217	1	C Side Handle LH

Ref #	Part Number	Qty	Description
C45	425A-218	1	C Side Handle RH
C46	HS-60531	8	BOLT,3-8X.75,BTHD CAP,BLK ZN,G5
C47	HX-17017	4	PLUG,TUBE END,1.5in TUBE OD
A54	FB030247	1	BEARING RADIAL 25MM EXTENDED RACE
A56	FB030253	3	BEARING RADIAL 30MM EXTENDED RACE
A57	FC030003	3	TOLERANCE RING 2.4409 ID
A61	FC030007	2	TOLERANCE RING 2.047 ID
A66	HC700415	3	BHSCS .375-16 X .75
A67	HC700416	2	BHSCS .375-16 X .875
A68	HC700426	2	BHSCS .375-16 X 2.00
A83	HS347600	2	WASHER SAE .375
A92	JC700412	2	BHSCS .375-16 X .50
A112	CM000241	1	DECAL FCC
A117	425A-481	3	Spacer Flange

Right Leg



Ref #	Part Number	Qty	Description
A1	425A-483	1	End Cap
D1	YA000201	1	ADH THRD LKR REM .02 OZ 242
D2	YG000002	1	NLA: Please use Lithium Grease
A4	425A-200	1	W Main Frame Custom
A5	425A-201	1	W Front Leg RH
A7	425A-203	1	NLA: W Rear Leg
A9	425A-205	1	W Foot Bar RH
K13	425AK003	1	W REAR LEG KIT
K15	425AK004	1	Kit Front Leg RH
K16	425AK008	1	Kit Foot Bar RH
K17	425AK015	1	Kit Side Handles 425A
A20	425A-487	1	Tube Spacer
A21	425A-444	1	PIN PIVOT
A22	425A-484	1	End Cap
A23	425A-485	1	End Cap
A25	425A-448	1	PIN PIVOT
A27	425A-450	1	BLOCK CLAMP
A42	425A-488	1	Spacer
A43	425A-486	1	Spacer
C44	425A-217	1	C Side Handle LH
C45	425A-218	1	C Side Handle RH
C46	HS-60531	8	BOLT, 3-8X.75, BTHD CAP, BLK ZN, G5

Ref #	Part Number	Qty	Description
C47	HX-17017	4	PLUG,TUBE END,1.5in TUBE OD
A54	FB030247	3	BEARING RADIAL 25MM EXTENDED RACE
A56	FB030253	3	BEARING RADIAL 30MM EXTENDED RACE
A57	FC030003	3	TOLERANCE RING 2.4409 ID
A61	FC030007	2	TOLERANCE RING 2.047 ID
A66	HC700415	2	BHSCS .375-16 X .75
A67	HC700416	1	BHSCS .375-16 X .875
A68	HC700426	4	BHSCS .375-16 X 2.00
A117	425A-481	4	Spacer Flange

